

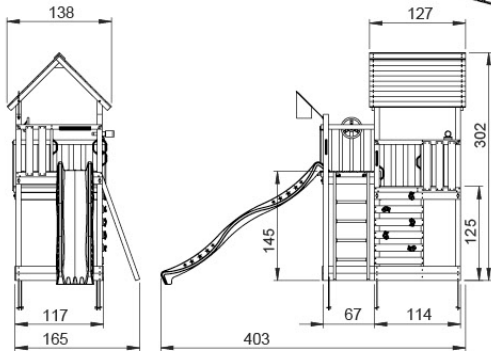
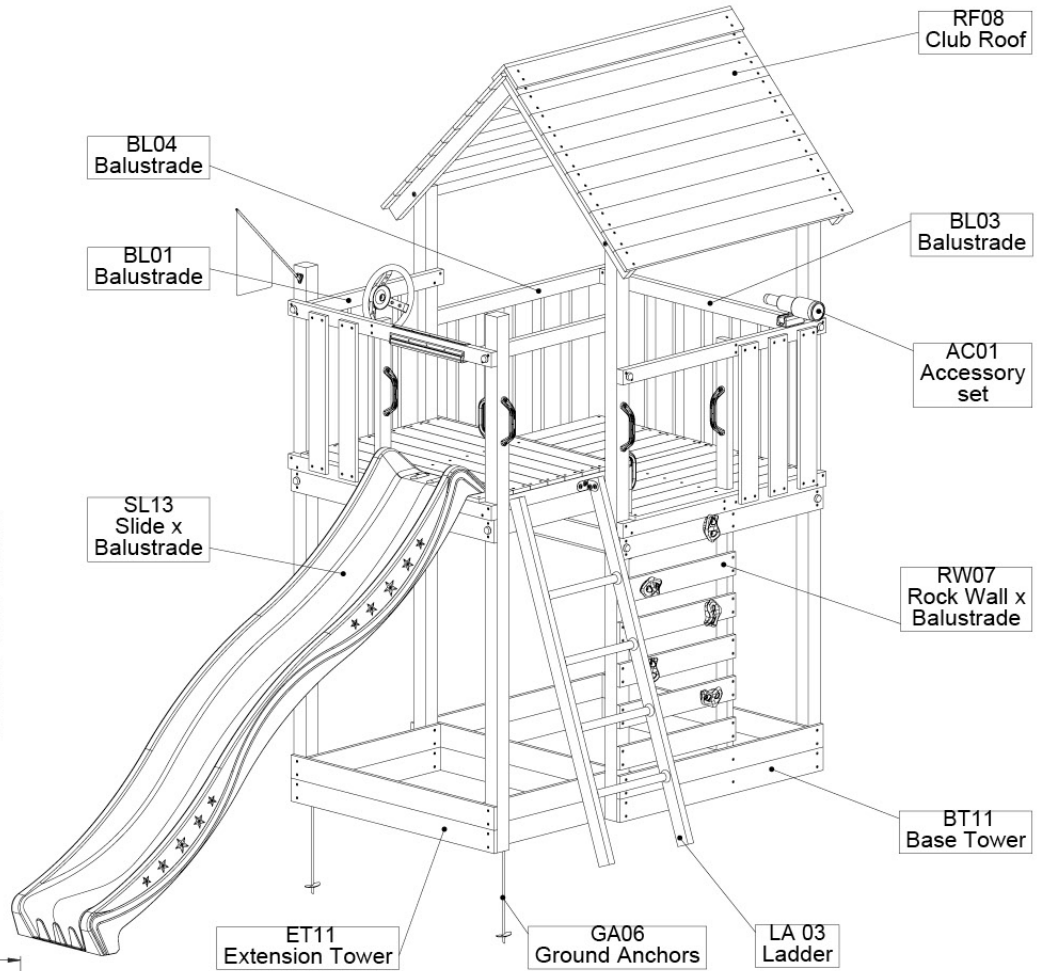
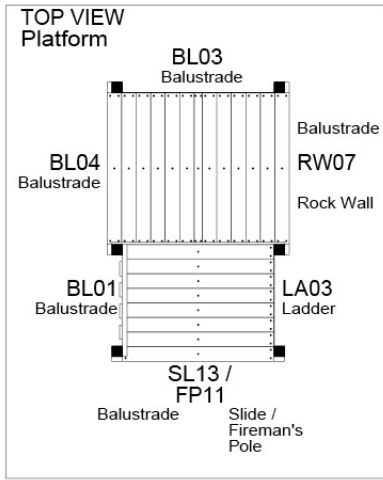
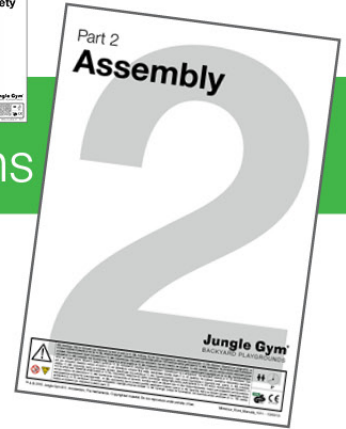
# Part 2

# Assembly

# Instructions

# Jungle Cubby 2.1

801\_070



# Jungle Gym

BACKYARD PLAYGROUNDS

since 1988



**EN.** Warnings. Only for domestic use. Maximum number of users is 8. **DE.** Achtung. Nur für den Hausgebrauch. Maximale Benutzerzahl: 8. **FR.** Attention. Réserve à un usage familial. Le nombre maximal d'utilisateurs est de 8. **NL.** Waarschuwingen. Uitsluitend voor huishoudelijk gebruik. Het maximale aantal gebruikers is 8. **BG.** Внимание. За употреба само в домашни условия. Максималният брой потребители е 8. **CS.** Varování. Jen pro domácí použití. Maximální počet uživatelů je 8. **DA.** Advarsel. Kun til privat brug. Maksimum antal brugere er 8. **EL.** Προειδοποίηση. Μόνο για οικιακή χρήση. Μέγιστος αριθμός χρηστών 8. **ES.** Advertencias. Solo para uso doméstico. Número máximo de usuarios: 8. **ET.** Hoiatused. Ainult koduseks kasutamiseks. Maksimaalne kasutajate arv on 8. **FI.** Varoitukset. Ainoastaan kotikäyttöön. Käyttäjää yhteensä enintään 8. **HR.** Upozorenja. Samo za kućansku uporabu. Maksimalan broj korisnika je 8. **HU.** Figyelmeztetések. Csak otthoni használatra! A használók max. száma: 8. **IS.** Varnaðarorð. Engöngu fyrir einkanoðkun í heimahúsum og á einkalóðum. Hámarksfjöldi notenda er 8. **IT.** Avvertenze. Solo per uso domestico. Massimo numero di utenti è 8. **LT.** Įspėjimai. Tik buitnam naudojimui. Maksimalus naudotojų skaičius 8. **LV.** Brīdinājumi. Izmanto tikai mājās. Maksimālais lietotāju skaits ir 8. **NO.** Advarsel. Kun for privat bruk. Maksimalt antall brukere er 8. **PL.** Ostrzeżenia. Wyłącznie do użytku domowego. Maksymalna liczba użytkowników to 8. **PT.** Avisos. Apenas para uso doméstico. O número máximo de utilizadores é 8. **RO.** Avertismente. Numai pentru uz domestic. Numărul maxim de utilizatori este 8. **RU.** Предостережения. Только для домашнего использования. Максимальное количество пользователей - 8. **SK.** Upozornenia. Iba na domáce použitie. Maximálne množstvo osôb je 8. **SL.** Opozorila. Samo za domačo uporabo. Maksimalno število uporabnikov je 8. **SR.** Upozorenja. Samo za kućnu upotrebu. Maksimalan broj korisnika je 8. **SV.** Varningar. Endast för hemmbruk. Det maximala antalet användare är 8. **TR.** Uyarılar. Sadece ev kullanımı için. Maksimum kullanıcı sayısı 8.



# 01 What's in the Delivery?

401\_080 + 457\_005

|                                  |                                  |                                  |                                                     |                                                 |
|----------------------------------|----------------------------------|----------------------------------|-----------------------------------------------------|-------------------------------------------------|
| <p>1x 040_805<br/>1x 040_910</p> | <p>1x 022_300</p>                | <p>1x 122_302<br/>1x 022_800</p> | <p>1x 120_024<br/>1x 103_901</p>                    | <p>3x 120_102<br/>2x 022_920<br/>4x 001_404</p> |
| <p>1x 123_200</p>                | <p>4x 005_03x<br/>8x 022_835</p> | <p>2x 005_522</p>                | <p>1x 022_910</p>                                   | <p>1x 100_030<br/>100_155</p>                   |
| <p>1x 104_107</p>                | <p>4x 007_001</p>                | <p>5x 022_50x</p>                | <p>1x 201_275<br/>1x 334_x00</p> <p>FMP / Slide</p> |                                                 |

# 02 Hardware

Total HWP 100\_030 + 100\_155 Jungle Cubby 2.1

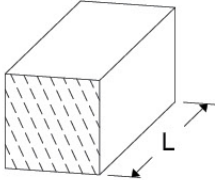
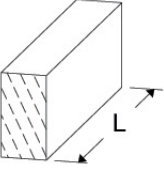
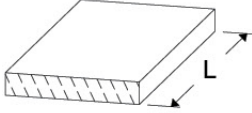
20220301

|         |      |  |             |         |     |  |           |
|---------|------|--|-------------|---------|-----|--|-----------|
| 001_102 | 10x  |  | M8 x 30mm   | 000_101 | 10x |  | ø2 x 20mm |
| 001_417 | 12x  |  | ø8 x 80mm   | 003_010 | 10x |  | M8x14.2mm |
| 001_411 | 4x   |  | ø8 x 60mm   | 004_050 | 10x |  | M8 x 22mm |
| 001_406 | 13x  |  | ø8 x 45mm   | 120_005 | 16x |  | M8        |
| 001_404 | 4x   |  | ø8 x 30mm   |         |     |  |           |
| 002_223 | 86x  |  | ø5 x 80mm   |         |     |  |           |
| 002_220 | 490x |  | ø5 x 45mm   |         |     |  |           |
| 002_219 | 6x   |  | ø5 x 30mm   |         |     |  |           |
| 002_308 | 2x   |  | ø5.0 x 20mm |         |     |  |           |
| 002_041 | 3x   |  | ø4.5 x 20mm |         |     |  |           |
| 002_042 | 4x   |  | ø3.5 x 13mm |         |     |  |           |

# 03 Timber

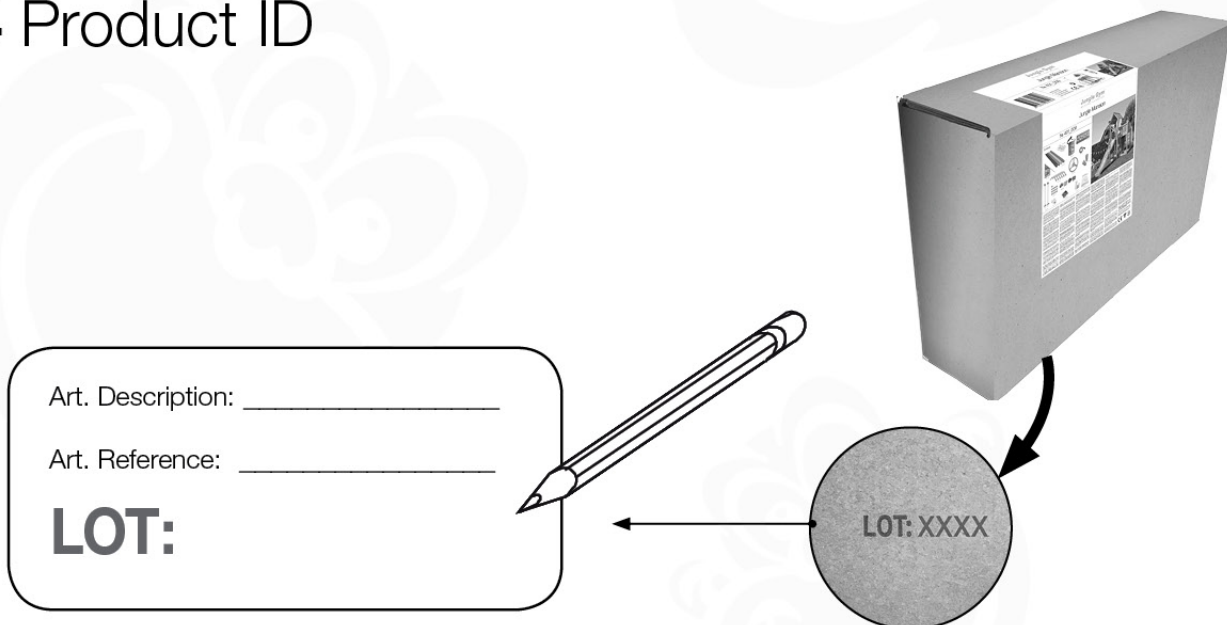
601\_072 Timber pack Jungle Cubby 2.1

L

|                                                                                             |      |               |            |
|---------------------------------------------------------------------------------------------|------|---------------|------------|
| <b>A</b>   | A240 | 239cm - 240cm | <b>4x</b>  |
|                                                                                             | A220 | 219cm - 220cm | <b>2x</b>  |
| <b>C</b>   | C186 | 185cm - 186cm | <b>1x</b>  |
|                                                                                             | C150 | 149cm - 150cm | <b>2x</b>  |
|                                                                                             | C114 | 113cm - 114cm | <b>10x</b> |
|                                                                                             | C96  | 95cm - 96cm   | <b>2x</b>  |
|                                                                                             | C90  | 89cm - 90cm   | <b>2x</b>  |
|                                                                                             | C74  | 73cm - 74cm   | <b>5x</b>  |
|                                                                                             | C70  | 69cm - 70cm   | <b>1x</b>  |
| <b>D</b>  | D127 | 126cm - 127cm | <b>24x</b> |
|                                                                                             | D114 | 113cm - 114cm | <b>18x</b> |
|                                                                                             | D100 | 99cm - 100cm  | <b>23x</b> |
|                                                                                             | D74  | 73cm - 74cm   | <b>6x</b>  |
|                                                                                             | D65  | 64cm - 65cm   | <b>27x</b> |

21-Oct-2021

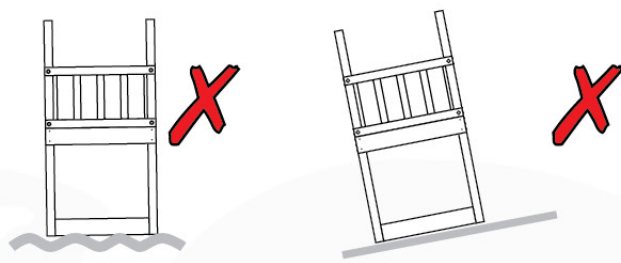
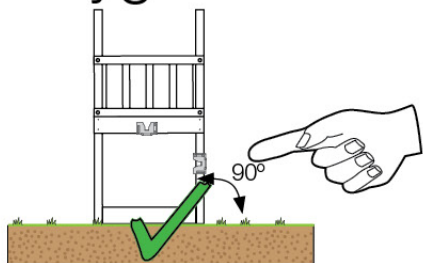
# 04 Product ID



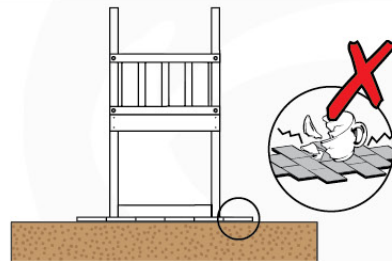
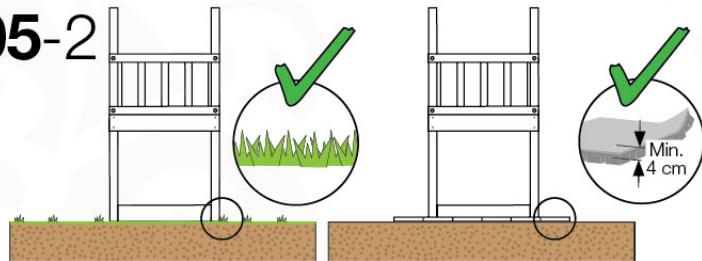


# 05 Safe Playground Planning

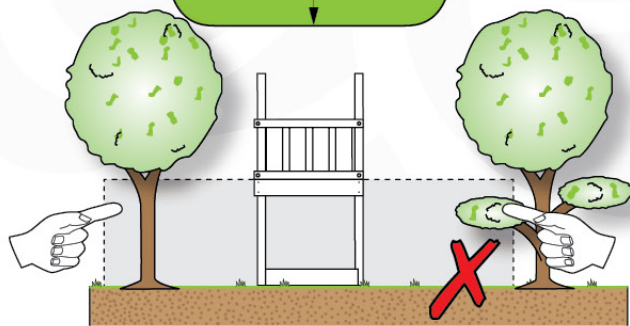
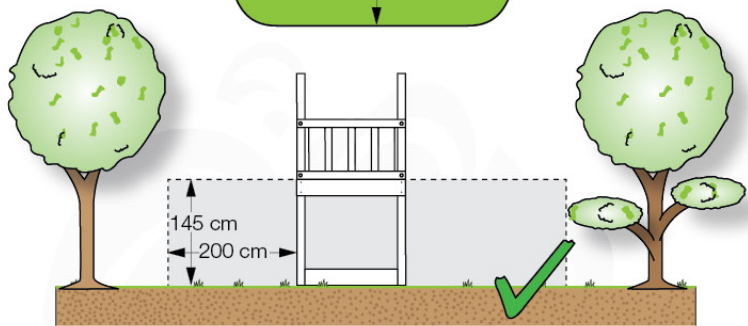
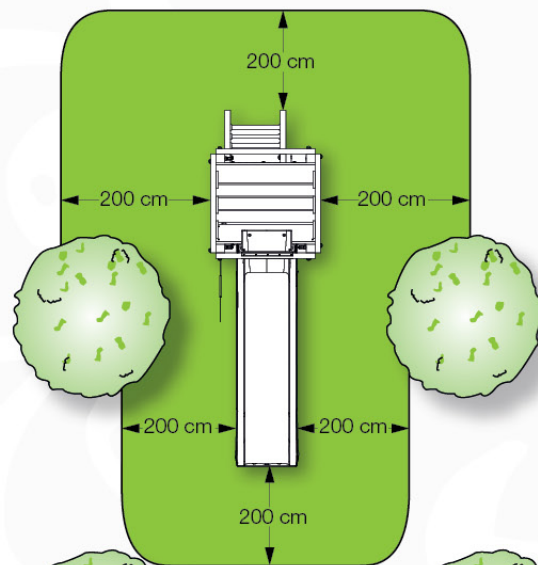
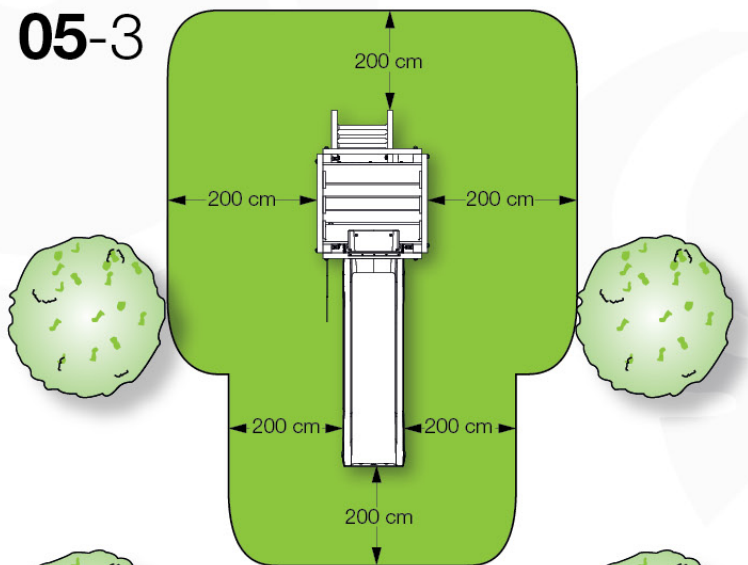
## 05-1



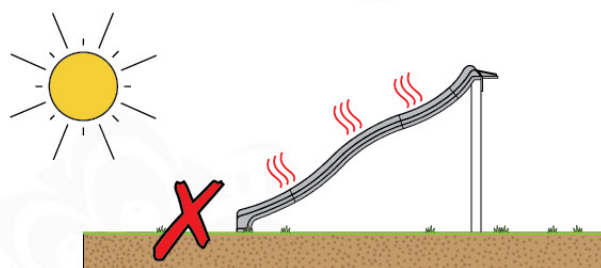
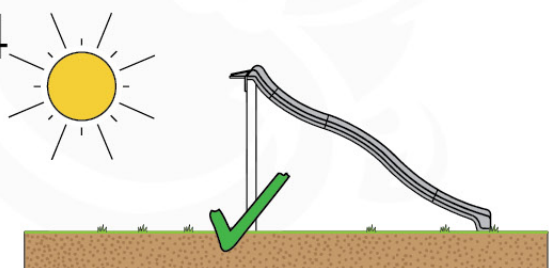
## 05-2



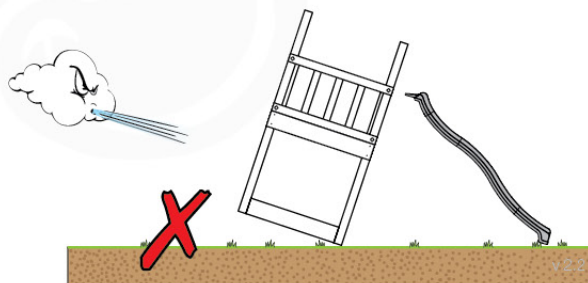
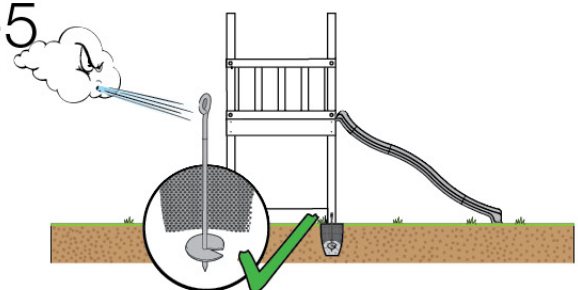
## 05-3



## 05-4



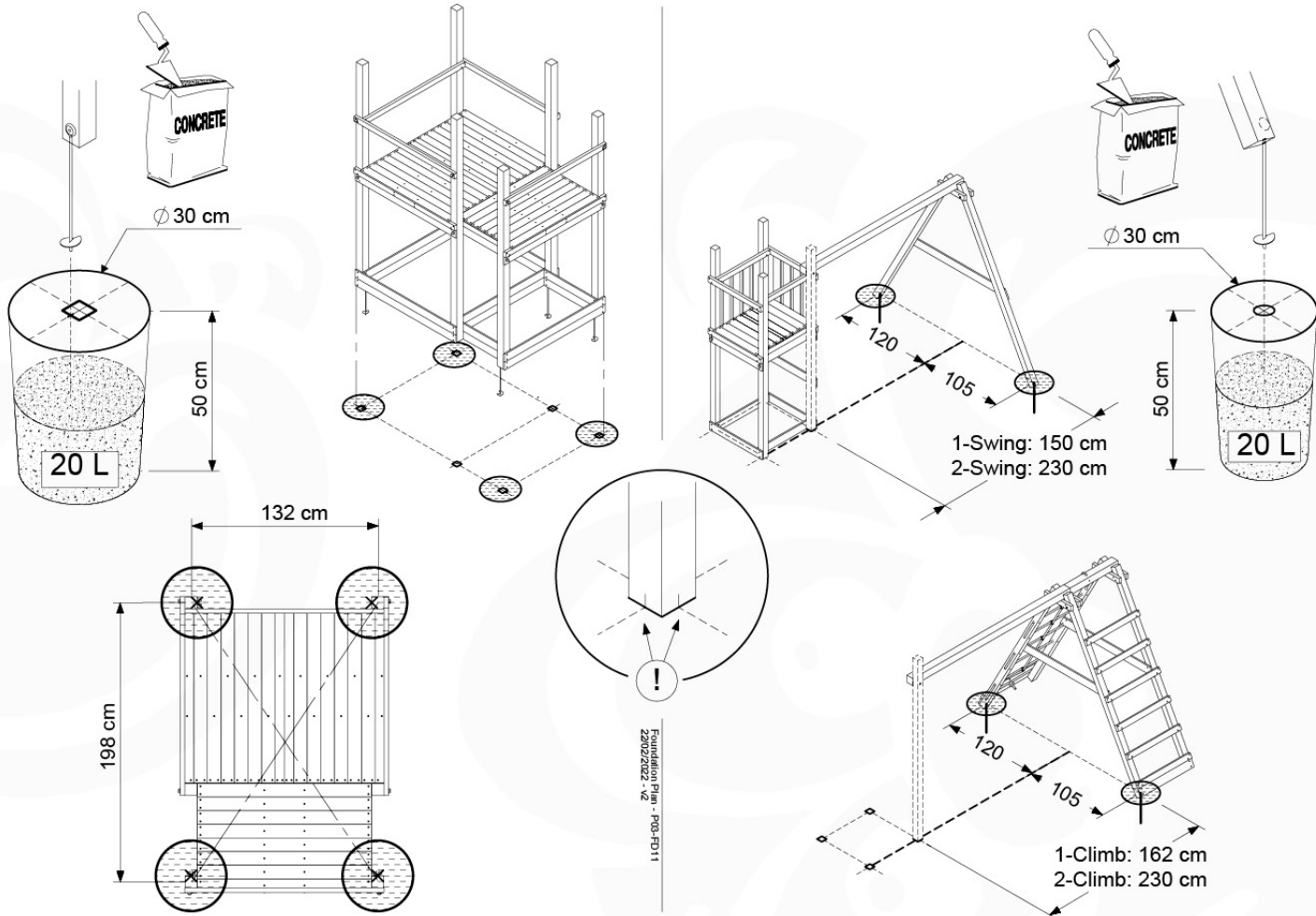
## 05-5





# 06 Playground Foundation

FD06

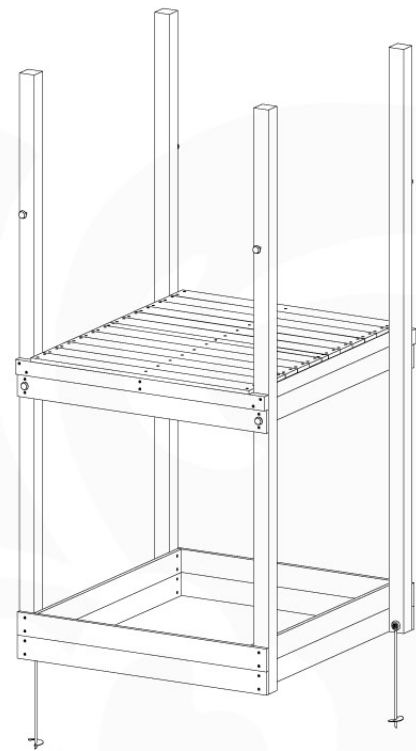


# 07 Base Tower

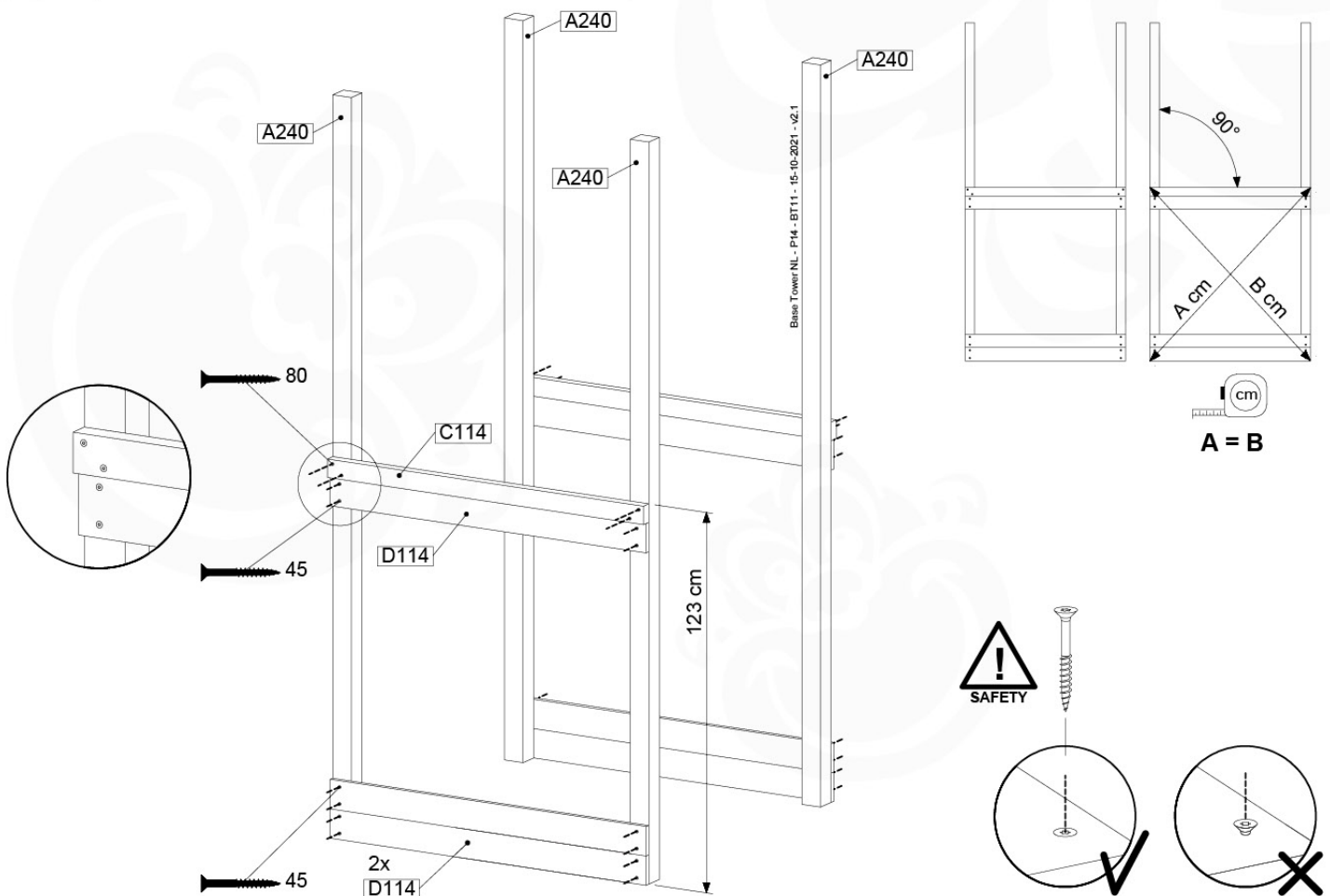
BT11

|               | PartNo  | PartName                   | QTY. |
|---------------|---------|----------------------------|------|
| Hardware pack | 001_406 | Stealth Screw 8x45         | 6    |
|               | 001_417 | Stealth Screw 8x80         | 4    |
|               | 002_220 | Gap Point Screw T25 - 5x45 | 118  |
|               | 002_223 | Gap Point Screw T25 - 5x80 | 20   |
|               | 022_31x | bpc-base version 3         | 8    |
|               | 022_84x | bpc cover                  | 8    |
| Other         | 007_001 | Ground-anchor              | 2    |
| Timber        | A240    | Post 70x70 L2400           | 4    |
|               | C114    | Beam 1140 mm               | 5    |
|               | D100    | Board 1000 mm              | 14   |
|               | D114    | Board 1140 mm              | 12   |

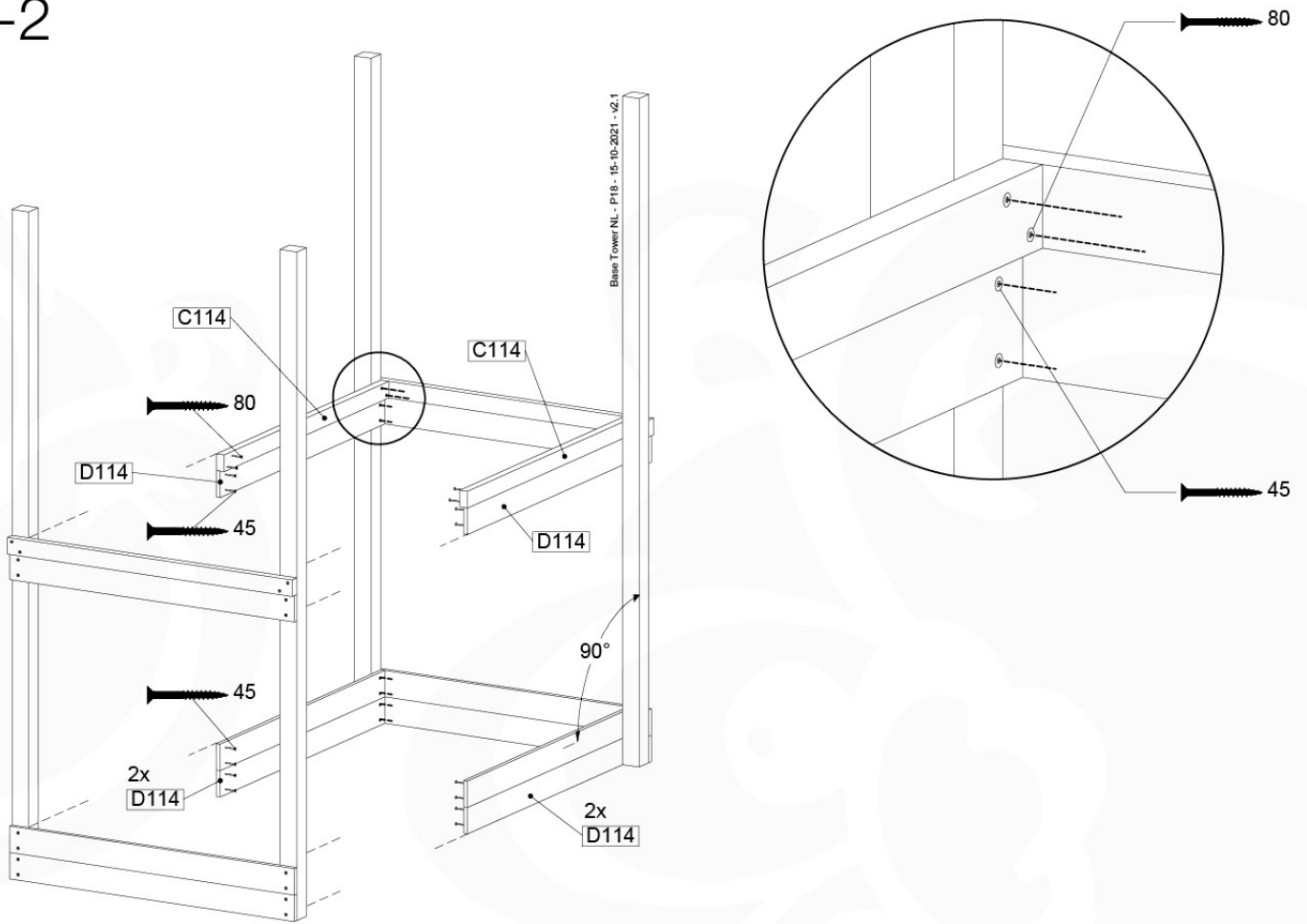
Base Tower NL - P08 - BT11 - 15-10-2021 - v2.1



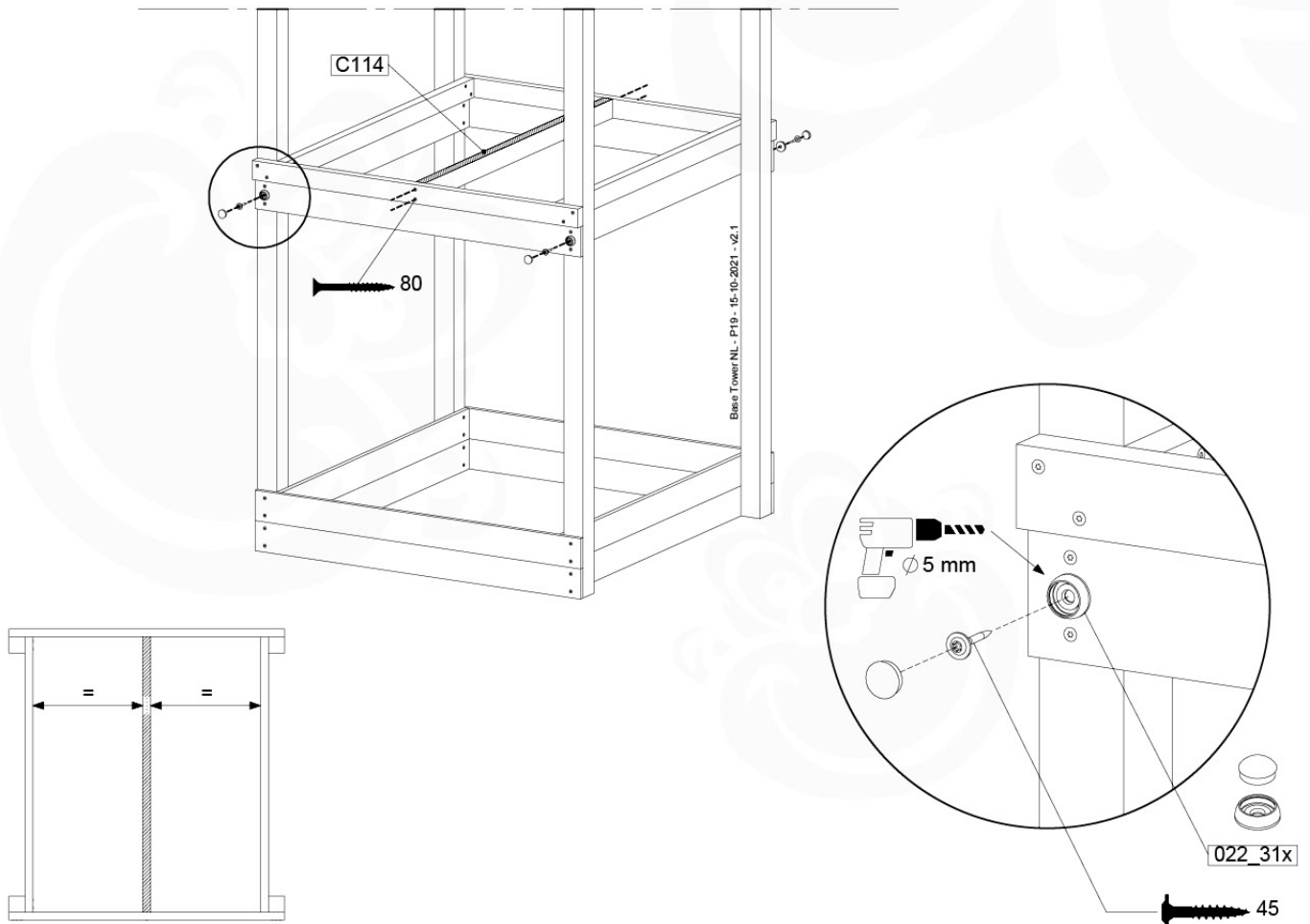
## 07-1



# 07-2

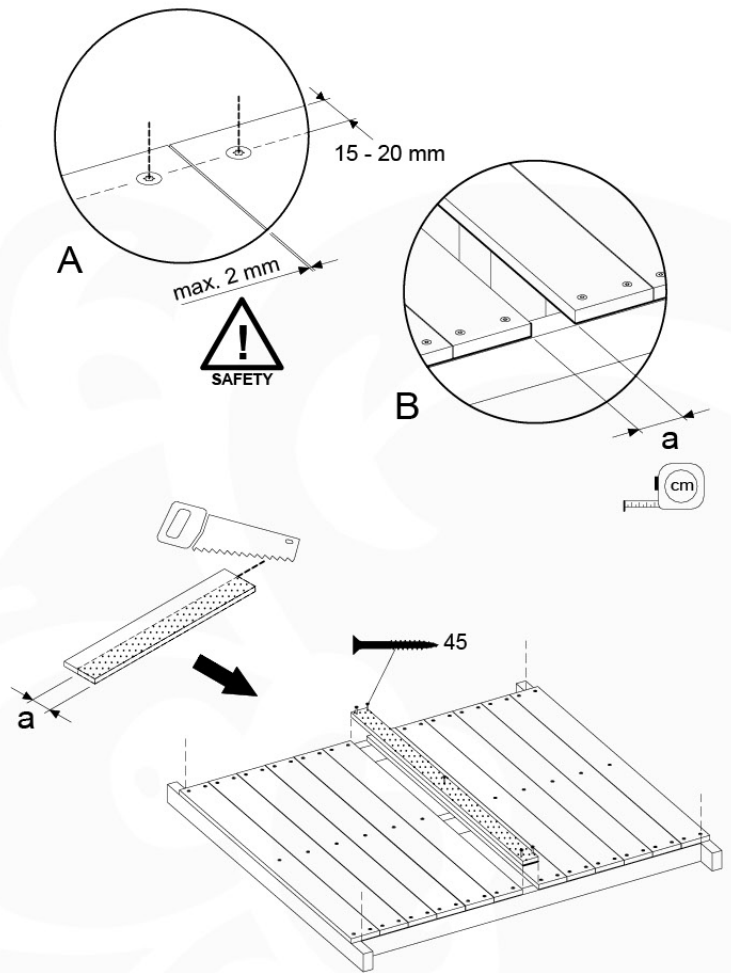
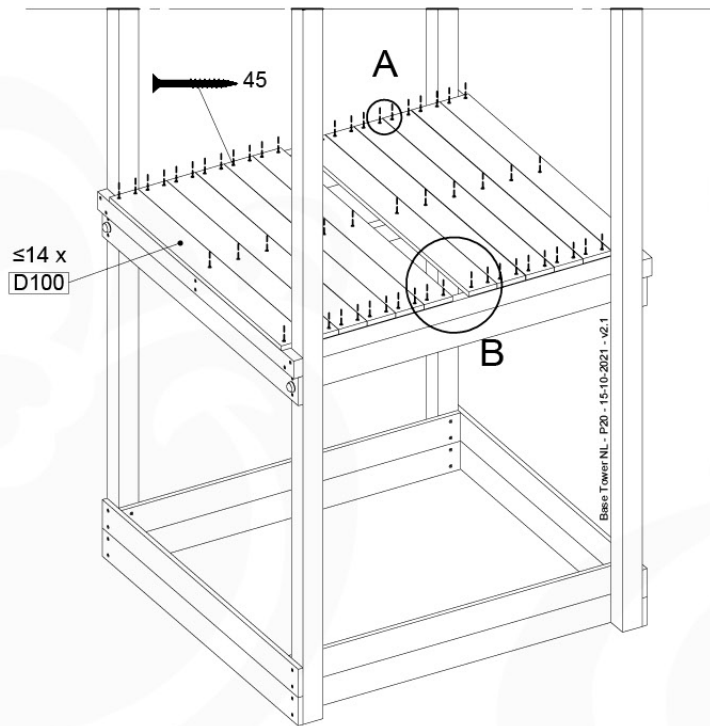


# 07-3





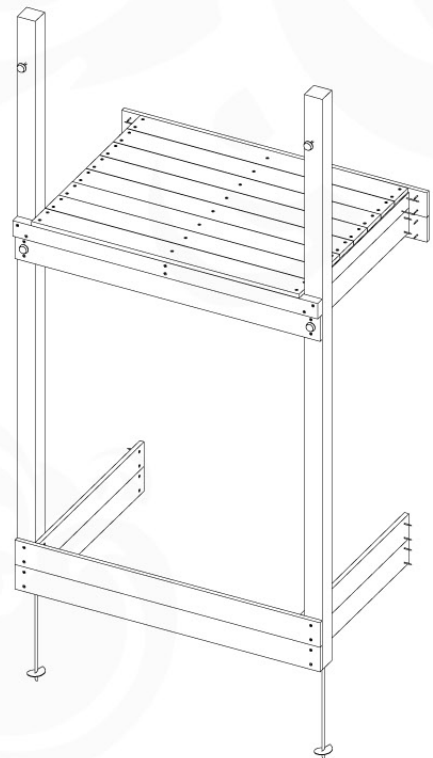
# 07-4



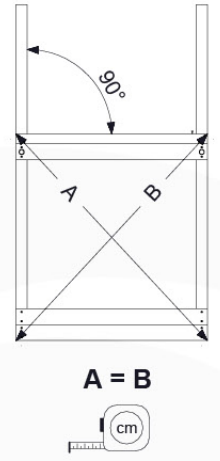
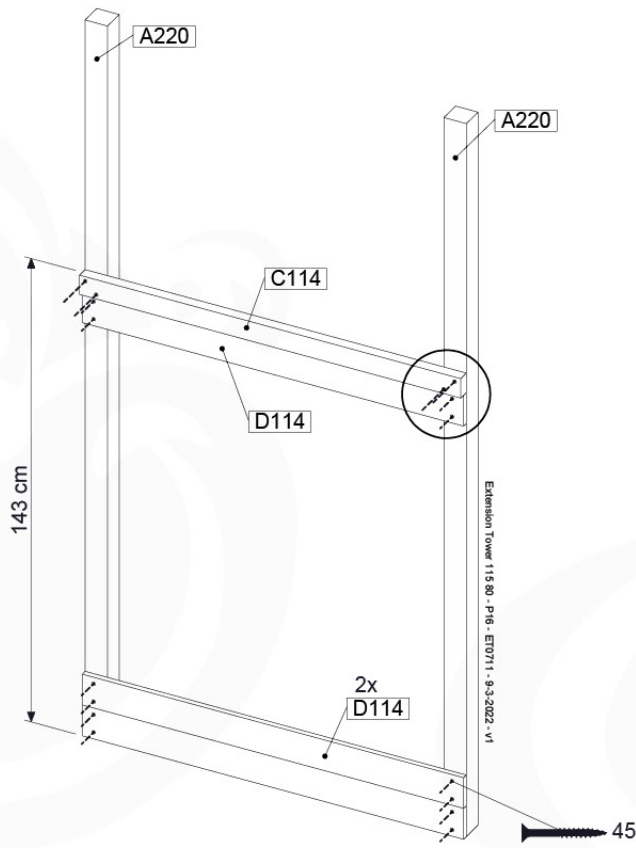
# 08 Extended Tower ET11

|               | PartNo  | PartName                   | QTY. |
|---------------|---------|----------------------------|------|
| Hardware pack | 001_406 | Stealth Screw 8x45         | 4    |
|               | 001_417 | Stealth Screw 8x80         | 2    |
|               | 002_220 | Gap Point Screw T25 - 5x45 | 93   |
|               | 002_223 | Gap Point Screw T25 - 5x80 | 16   |
| Other         | 007_001 | Ground-anchor              | 2    |
|               | 022_31x | bpc-base version 3         | 4    |
|               | 022_84x | bpc cover                  | 4    |
| Timber        | A220    | Post 70x70 L2200           | 2    |
|               | C74     | Beam 740 mm                | 3    |
|               | C114    | Beam 1140 mm               | 1    |
|               | D74     | Board 740 mm               | 6    |
|               | D100    | Board 1000 mm              | 9    |
|               | D114    | Board 1140 mm              | 6    |

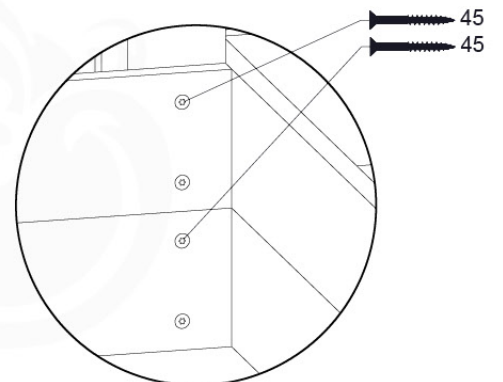
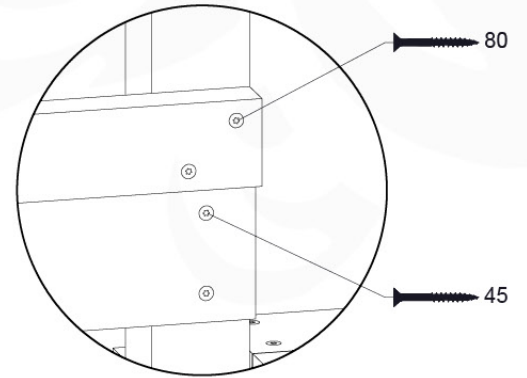
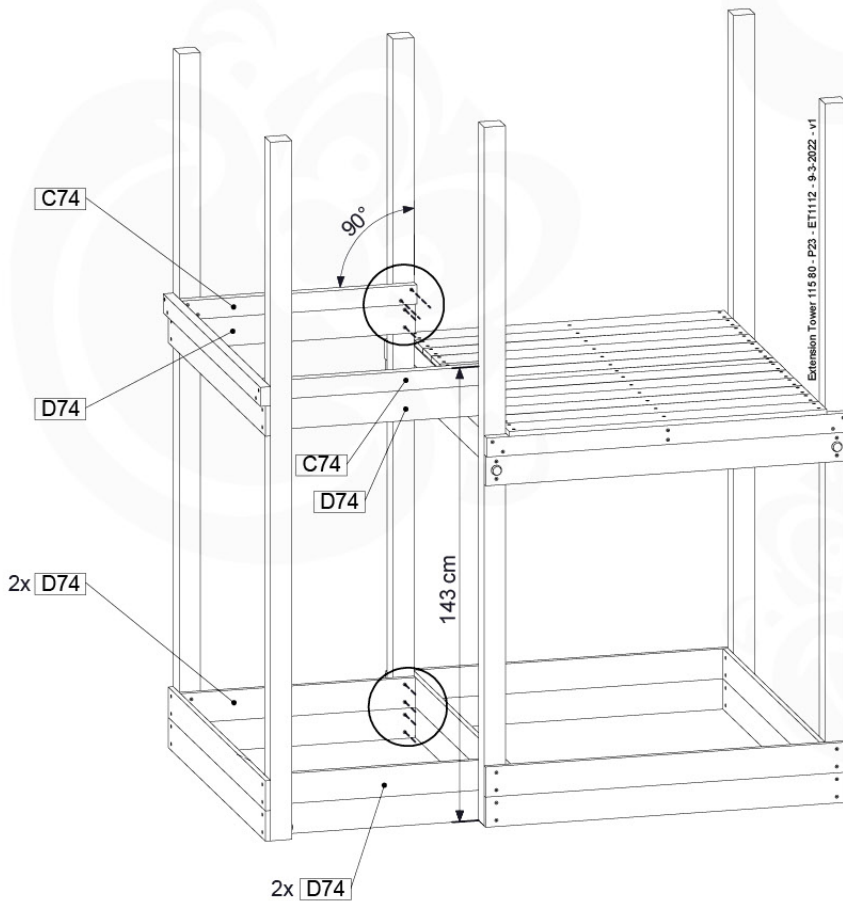
Extension Tower 115 80 - P08 - ET11 - 9-3-2022 - v1



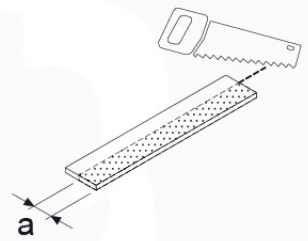
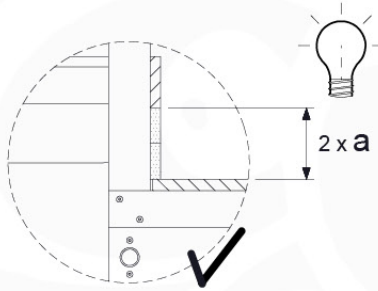
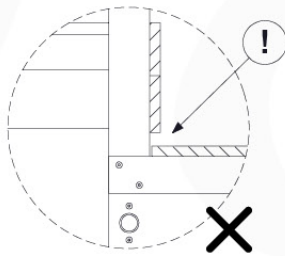
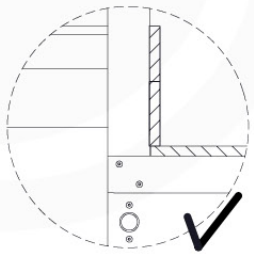
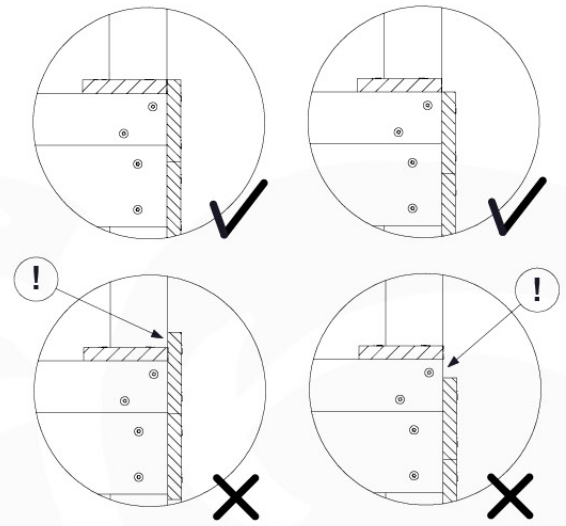
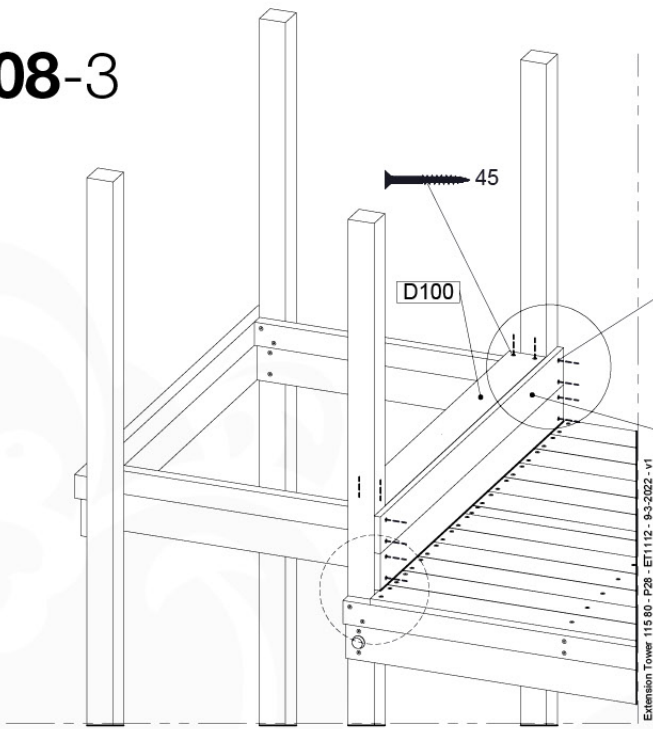
# 08-1



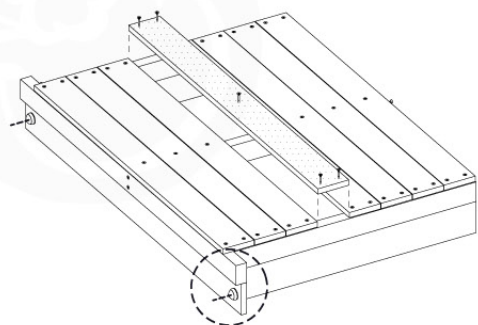
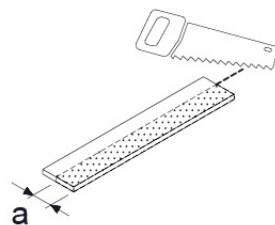
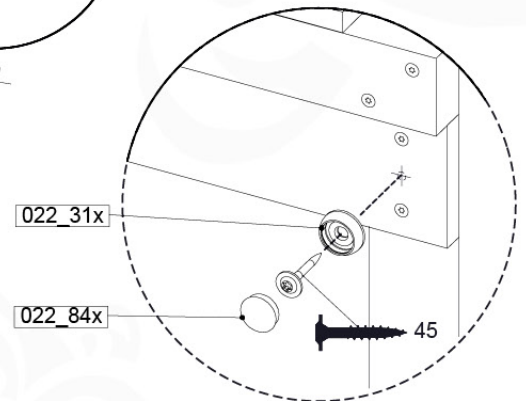
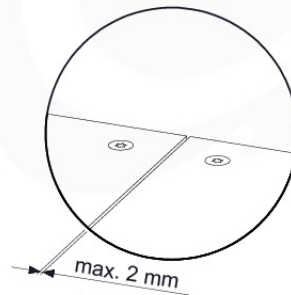
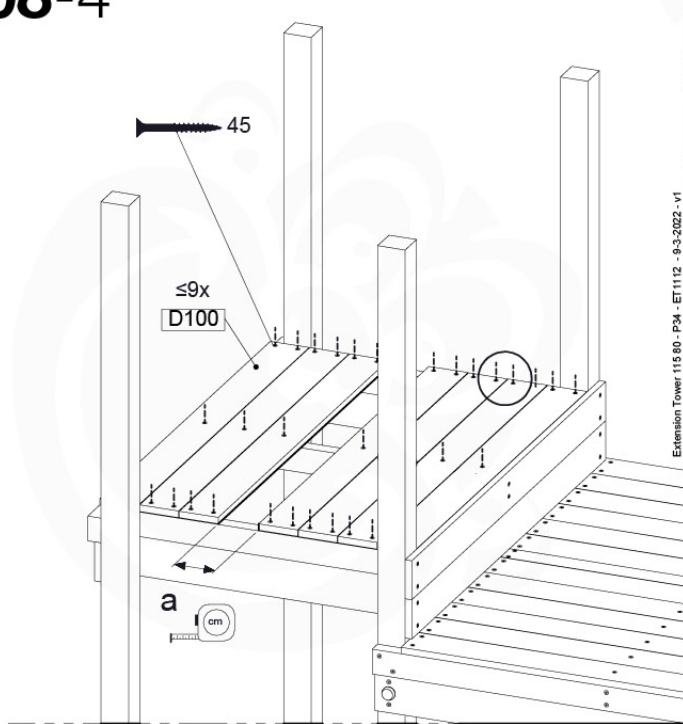
# 08-2



# 08-3



# 08-4



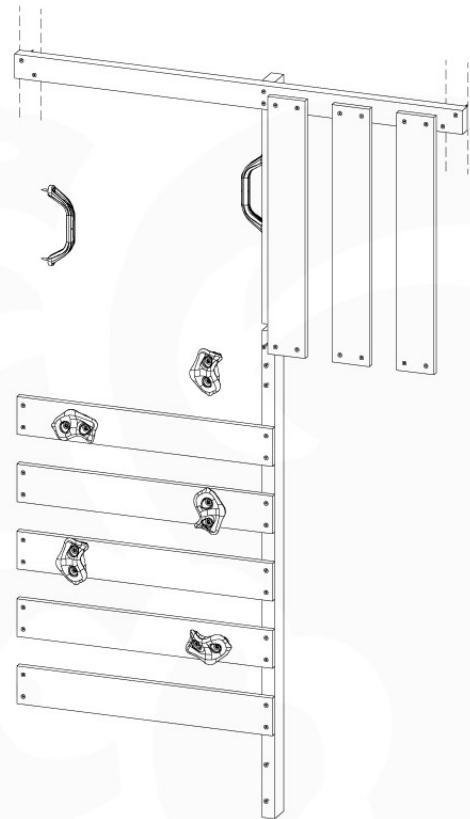


# 09 Rock Wall

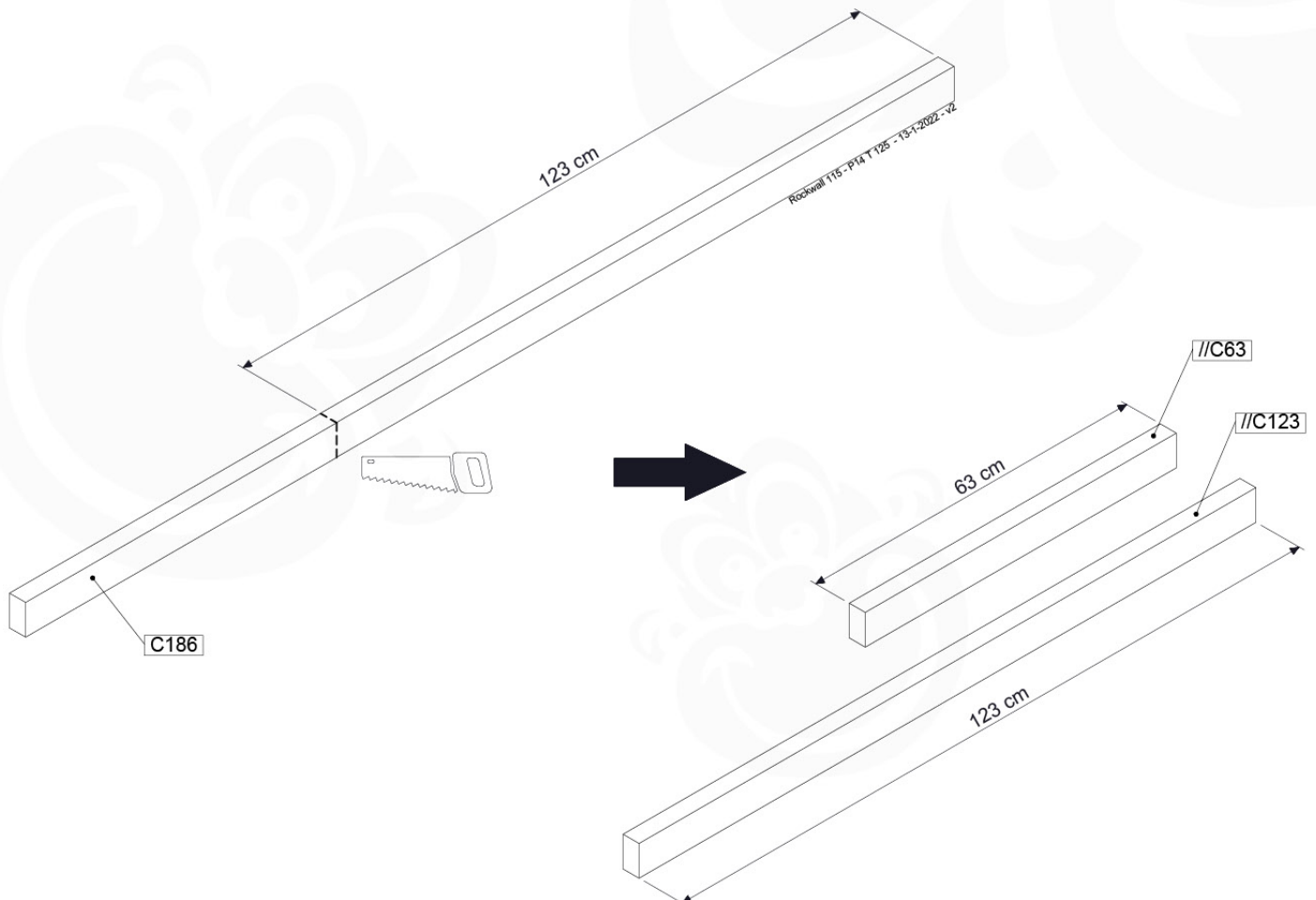
RW07

|               | PartNo  | PartName                    | QTY. |
|---------------|---------|-----------------------------|------|
| Hardware Pack | 001_102 | Washer Head Screw T40 M8x30 | 10   |
|               | 002_220 | Gap Point Screw T25 - 5x45  | 36   |
|               | 002_223 | Gap Point Screw T25 - 5x80  | 9    |
|               | 003_010 | M8 spring lock washer       | 10   |
|               | 004_050 | M8 22mm Drive in Nut        | 10   |
| Other         | 022_50x | Climbing Rock               | 5    |
|               | 120_102 | Handgrip set (complete 2x)  | 1    |
| Timber        | C114    | Beam 1140 mm                | 1    |
|               | C186    | Beam 1860 mm                | 1    |
|               | D65     | Board 650 mm                | 8    |

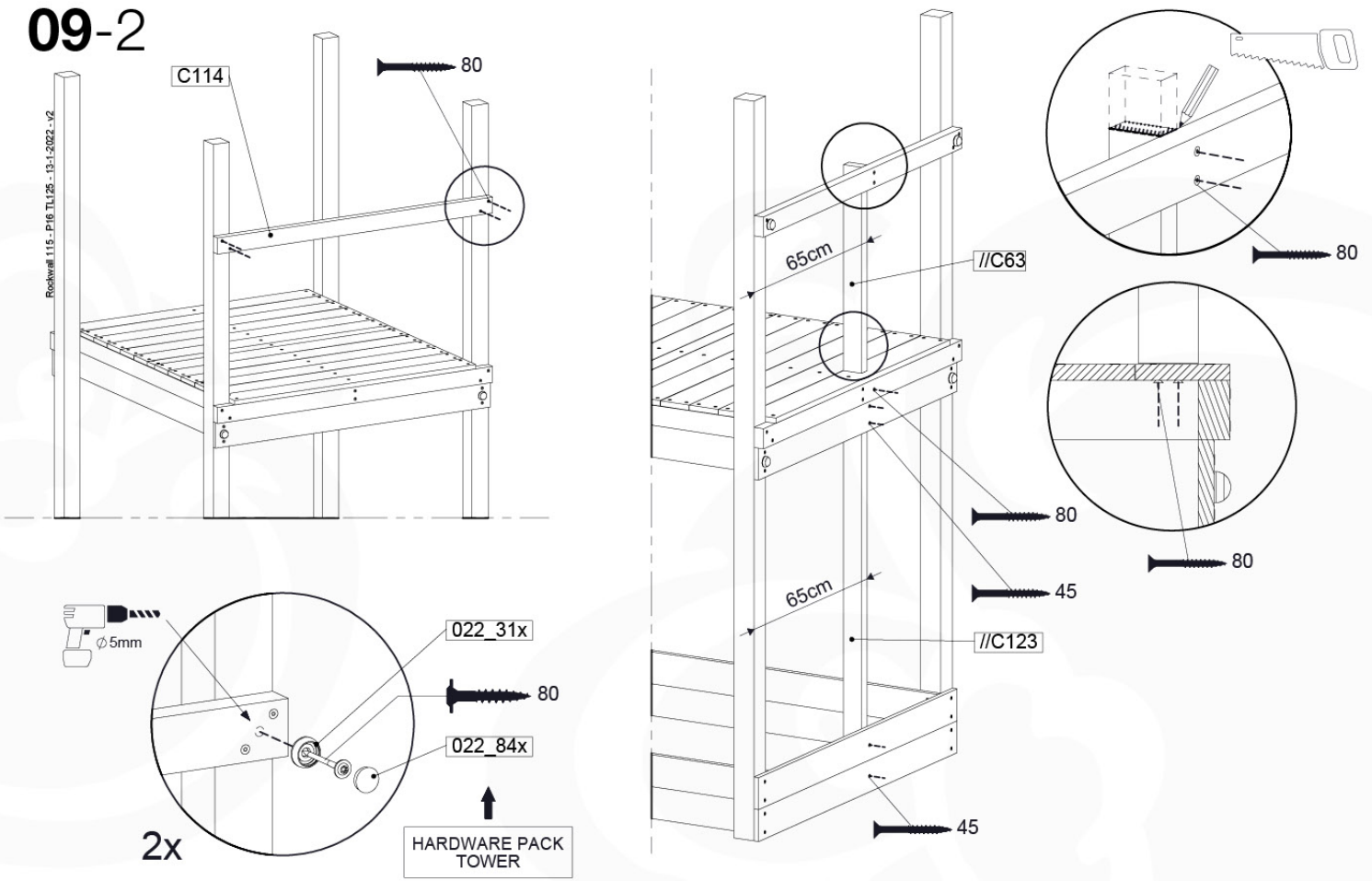
Rockwall 115 - P06 TL 125 - 13-1-2022 - v2



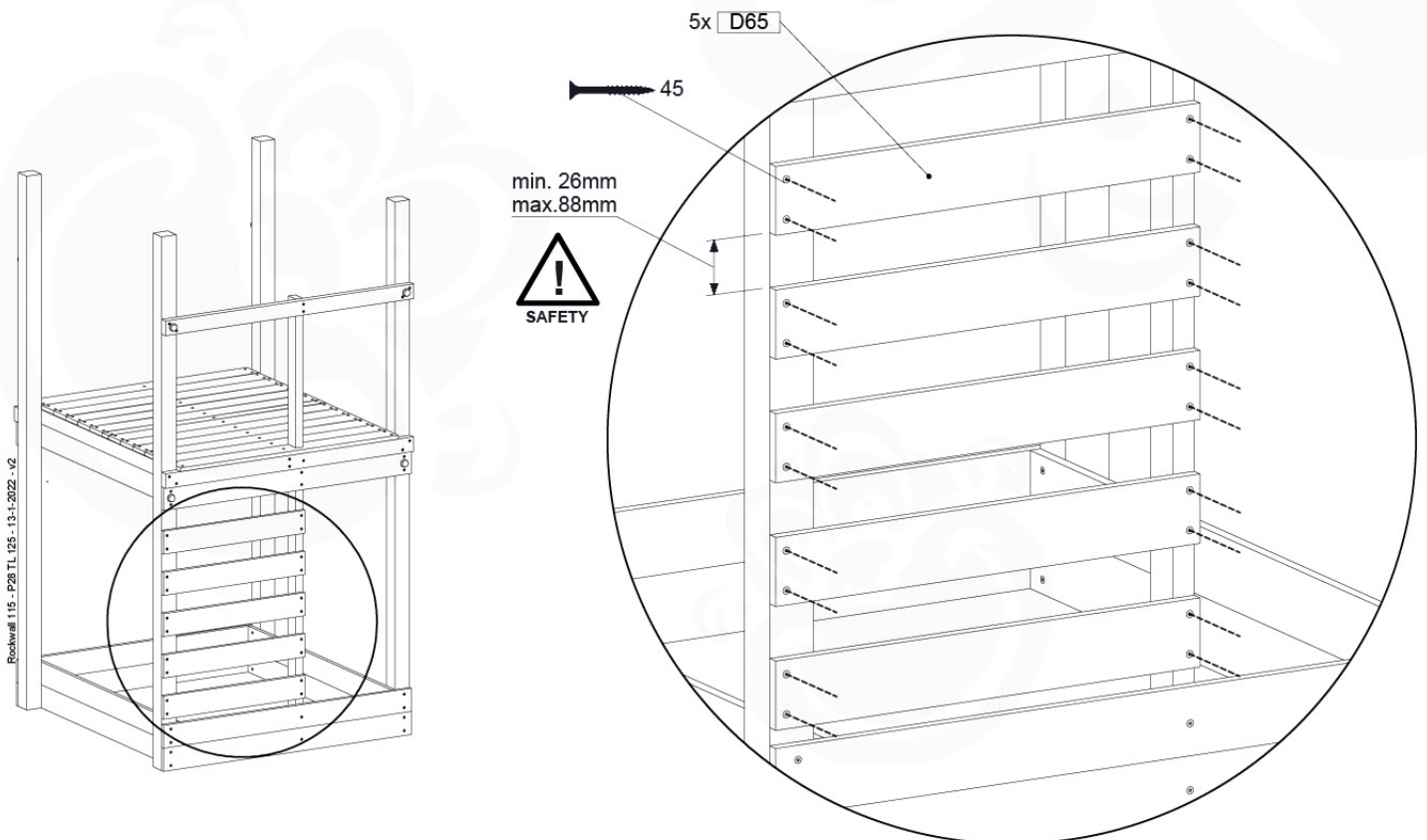
## 09-1



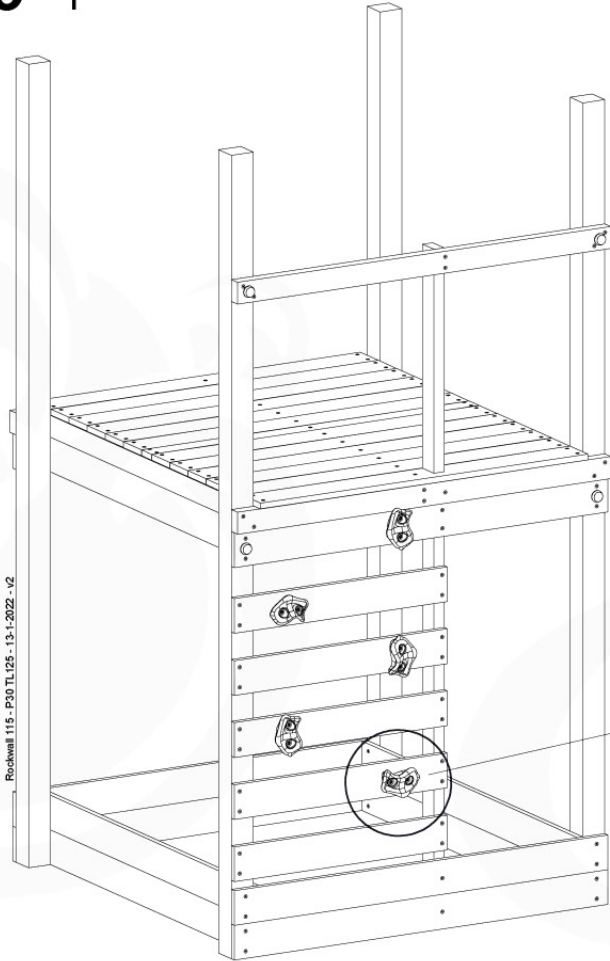
# 09-2



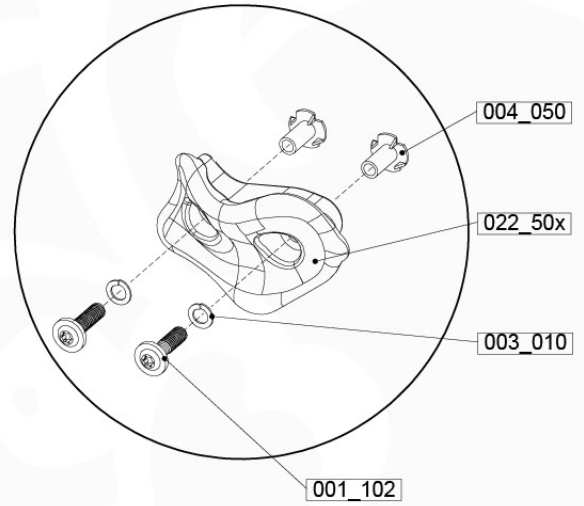
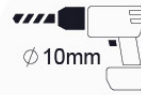
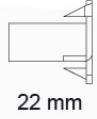
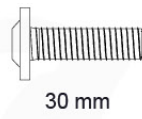
# 09-3



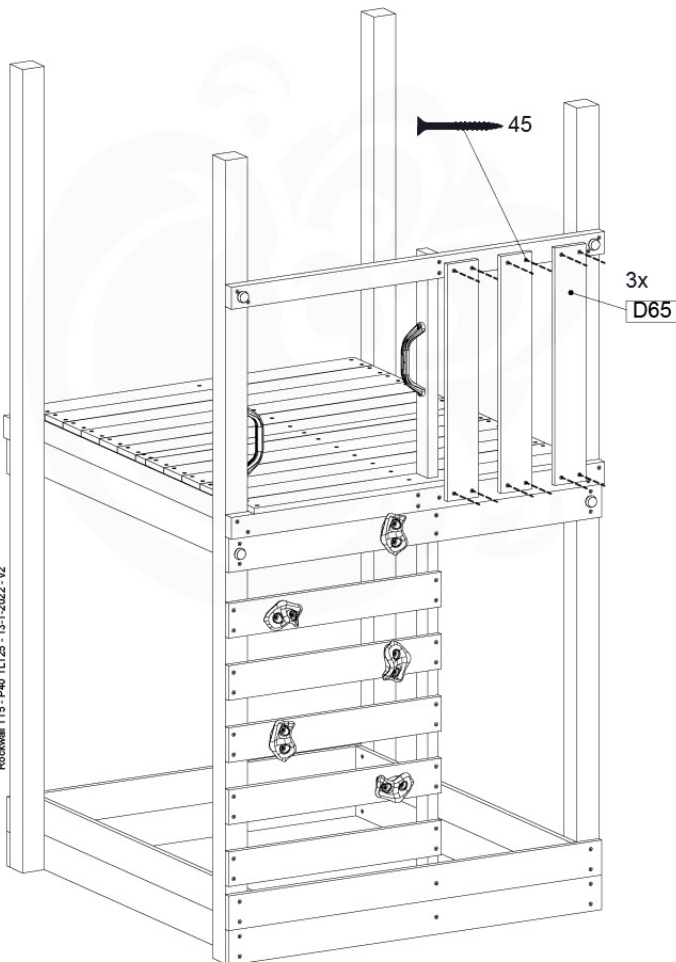
# 09-4



Rockwell 115 - P30 TL125 - 13-1-2022 - v2



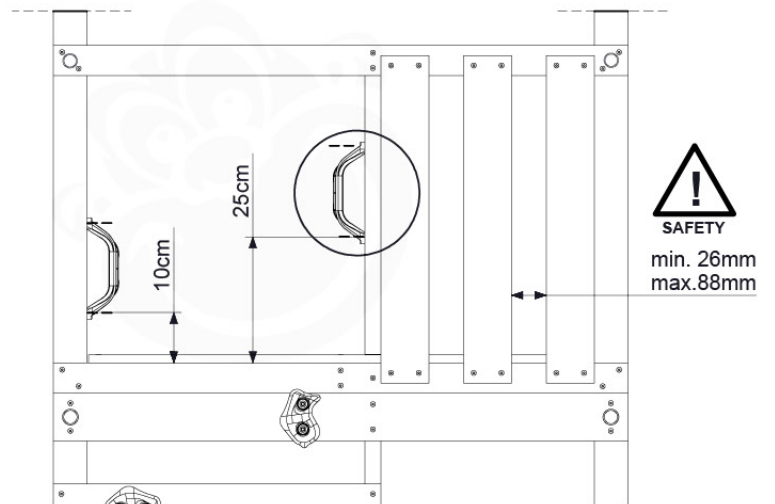
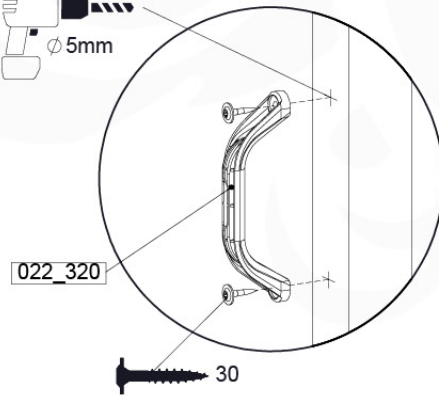
# 09-5



Rockwell 115 - P40 TL125 - 13-1-2022 - v2



3x  
D65

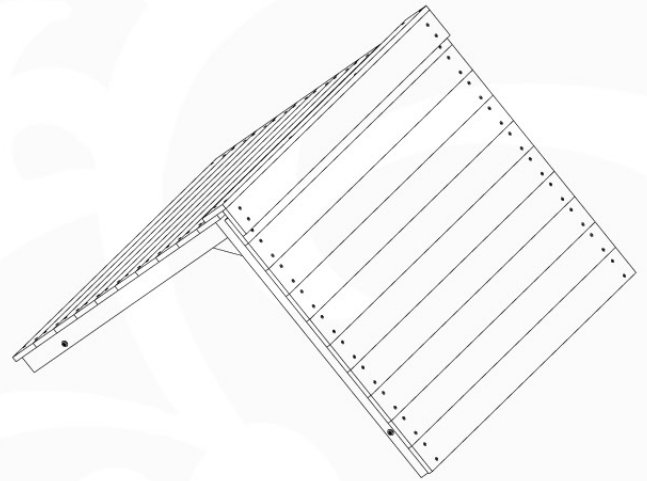


SAFETY  
min. 26mm  
max. 88mm



# 10 Roof

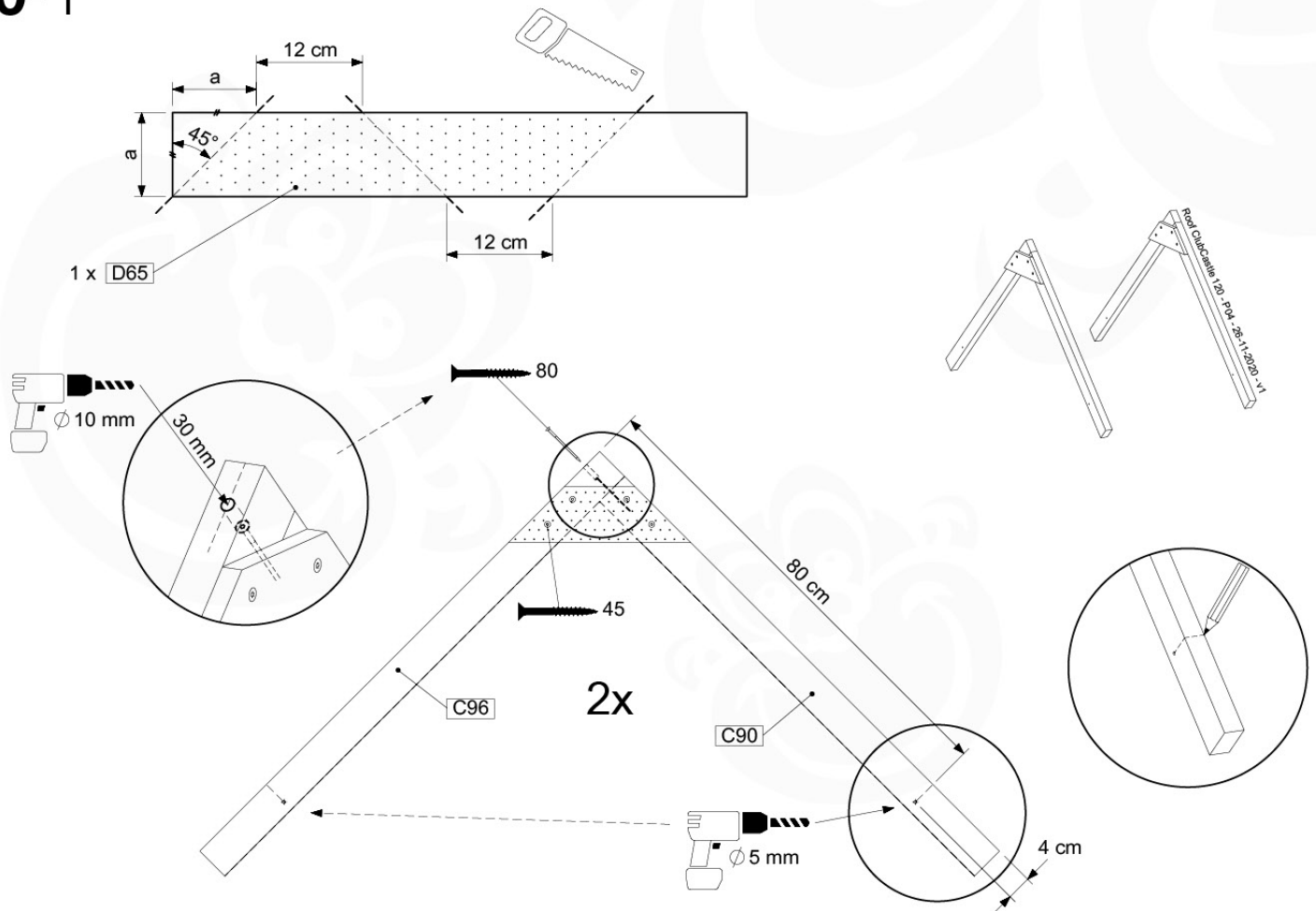
RF08



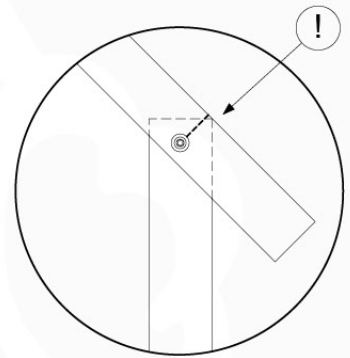
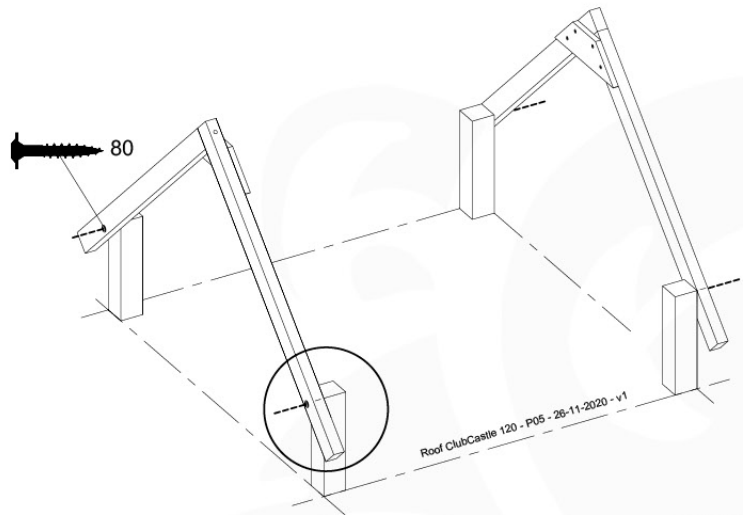
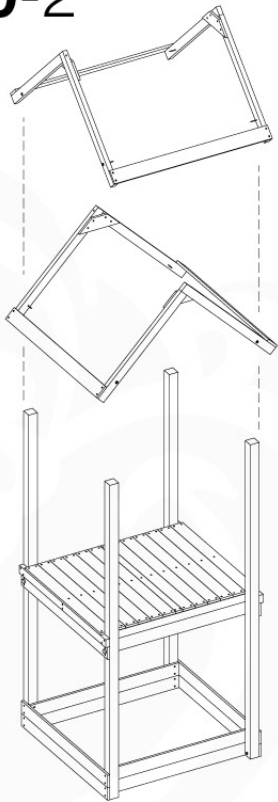
|               | PartNo  | PartName                   | QTY.  |
|---------------|---------|----------------------------|-------|
| Hardware Pack | 001_417 | Stealth Screw 8x80         | 4     |
|               | 002_220 | Gap Point Screw T25 - 5x45 | 100   |
|               | 002_223 | Gap Point Screw T25 - 5x80 | 8     |
| Timber        | C90     | Beam 900 mm                | 2     |
|               | C96     | Beam L=(900+beamheight) mm | 2     |
|               | D65     | Board 650 mm               | 1     |
|               | D127    | Board 1270 mm              | 18-24 |

Roof CubCastle 120 - P03 - RF08 - 26-11-2020 - v1

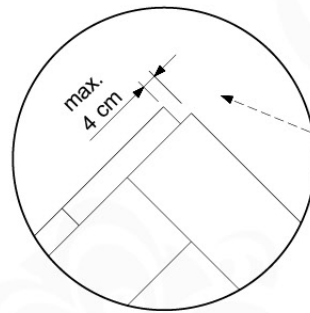
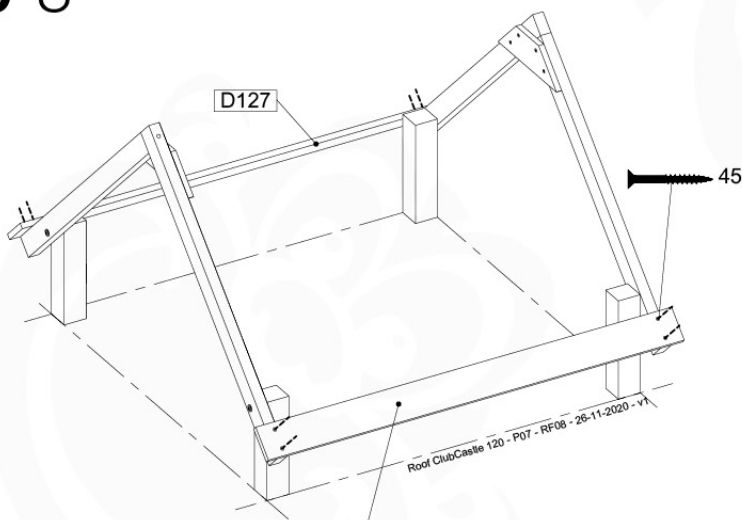
## 10-1



# 10-2

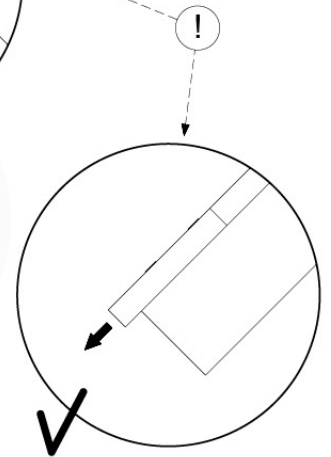
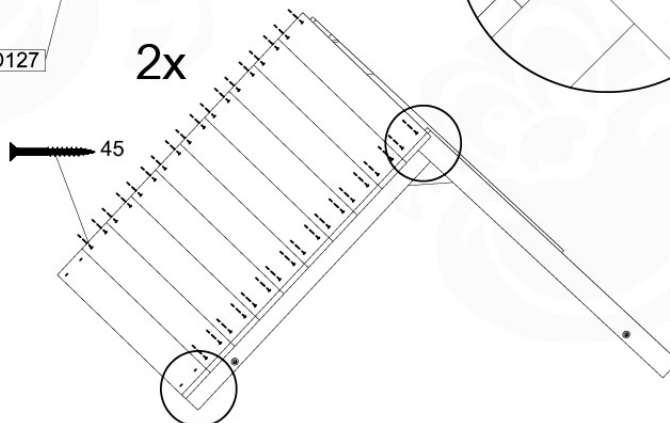
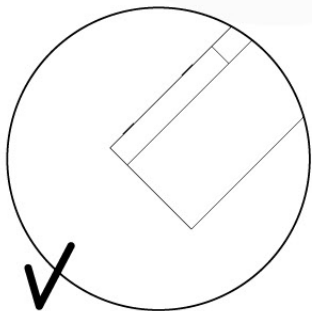


# 10-3

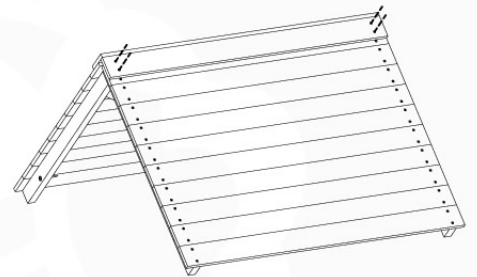
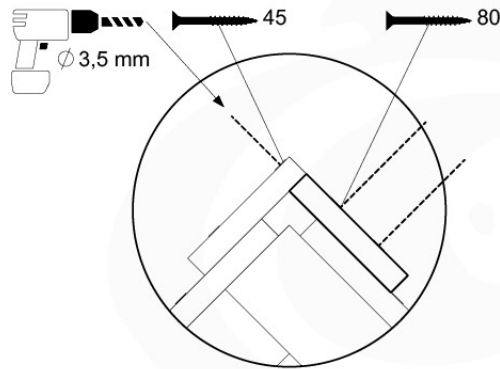
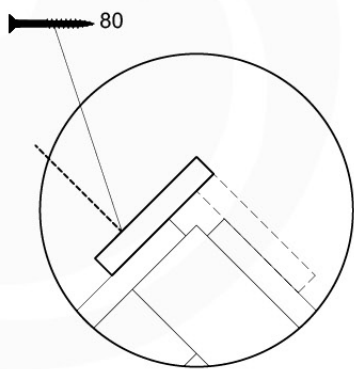
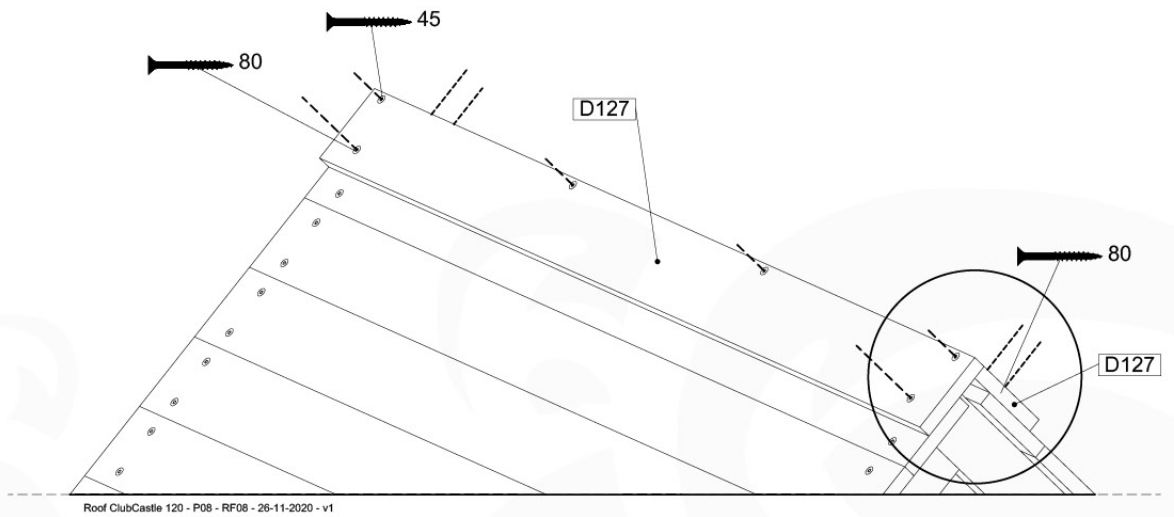


≤ 11 x D127

2x

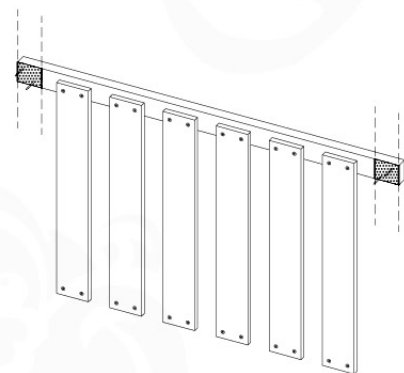


# 10-4



## 11 Balustrade (1x)

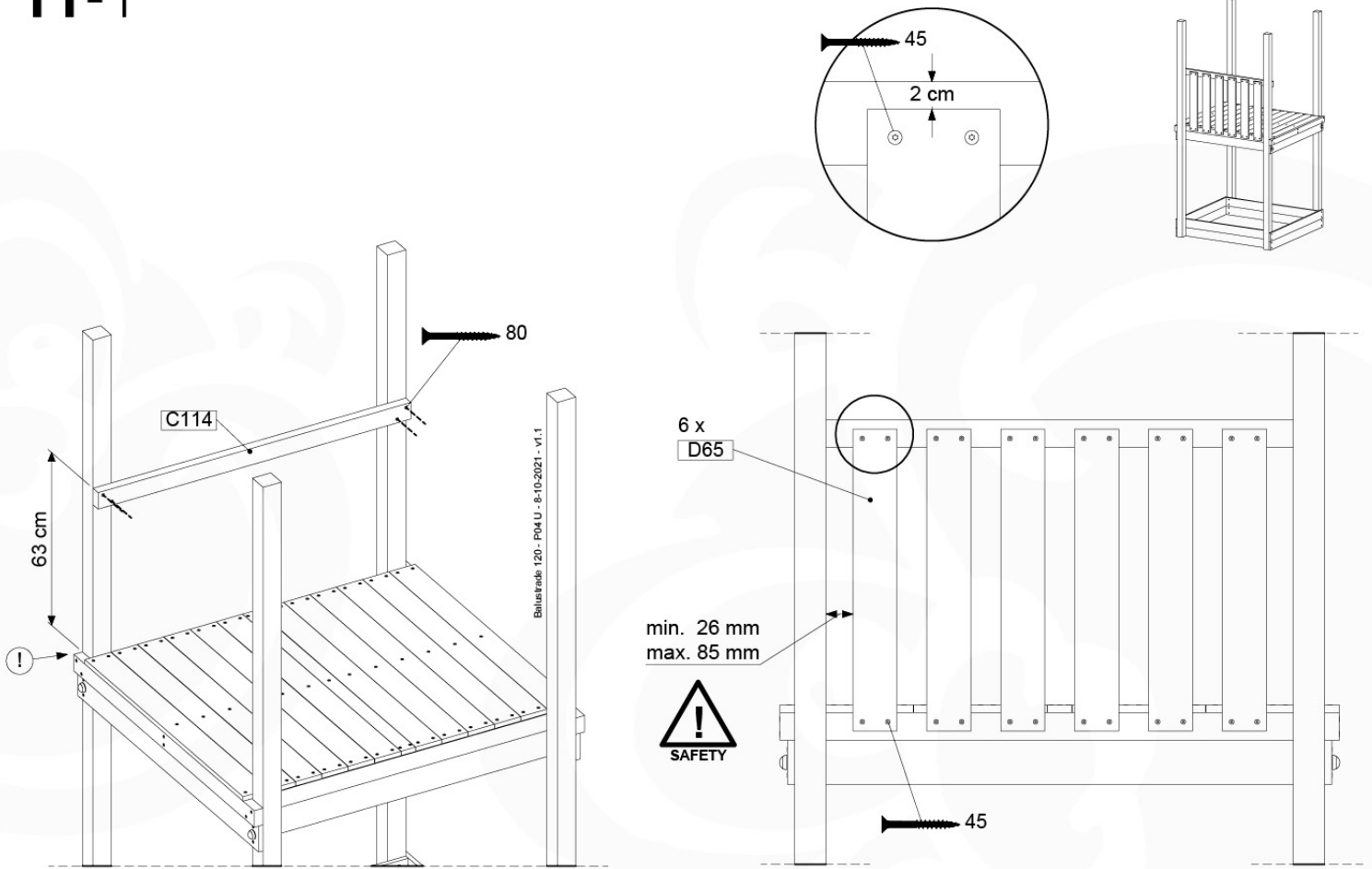
BL03



|               | PartNo  | PartName                   | QTY. |
|---------------|---------|----------------------------|------|
| Hardware Pack | 002_220 | Gap Point Screw T25 - 5x45 | 24   |
|               | 002_223 | Gap Point Screw T25 - 5x80 | 4    |
| Timber        | C114    | Beam 1140 mm               | 1    |
|               | D65     | Board 650 mm               | 6    |

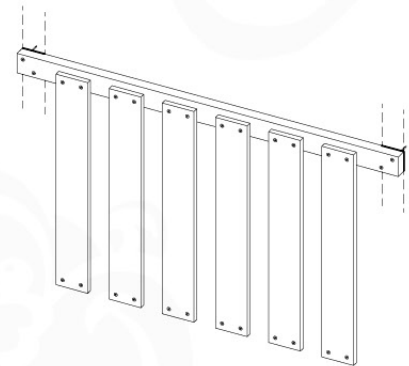
Balustrade 120 - P02 U - 8-10-2021 - v1.1

# 11-1



## 12 Balustrade (1x)

BL04

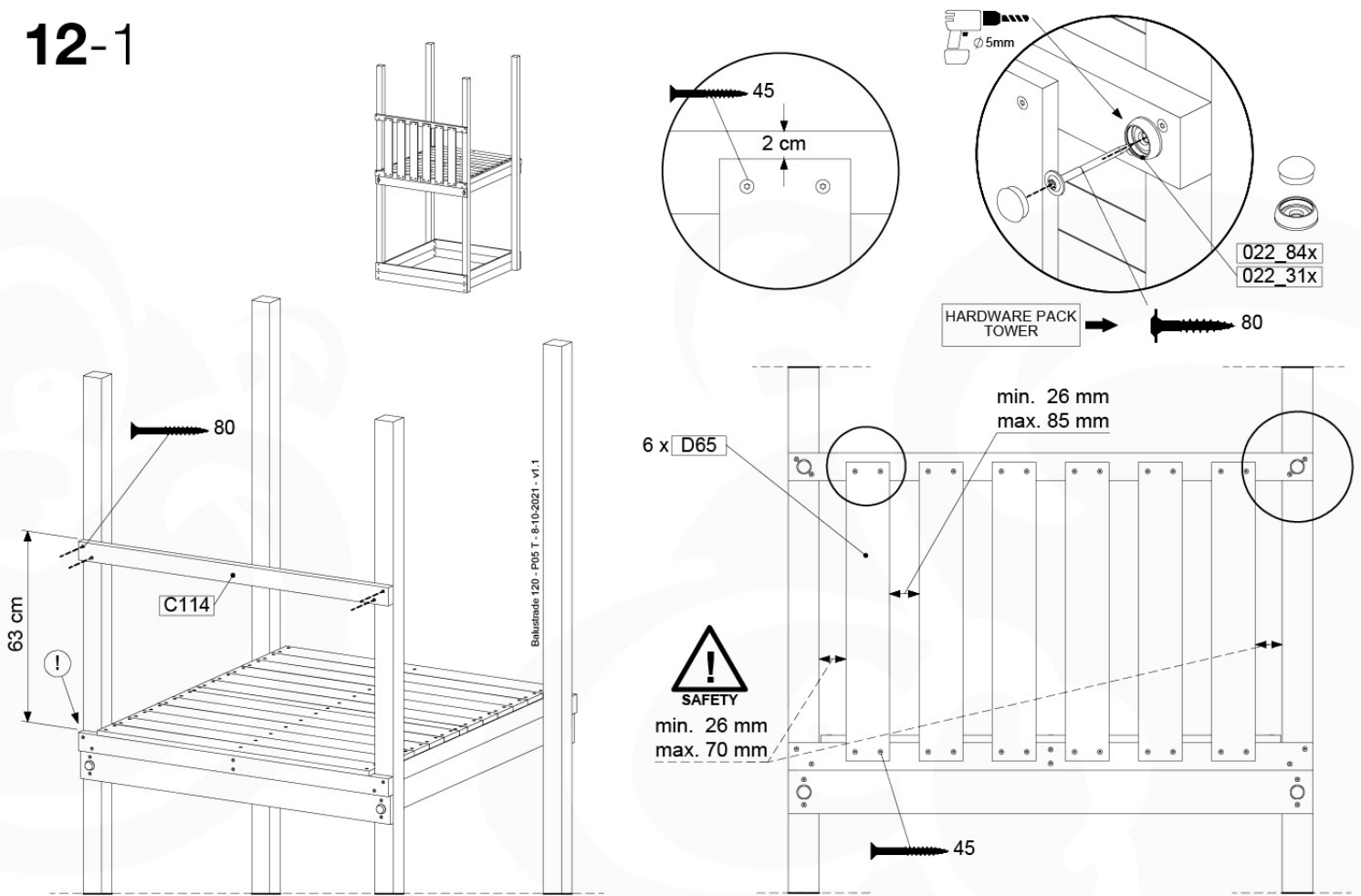


|               | PartNo  | PartName                   | QTY. |
|---------------|---------|----------------------------|------|
| Hardware Pack | 002_220 | Gap Point Screw T25 - 5x45 | 24   |
|               | 002_223 | Gap Point Screw T25 - 5x80 | 4    |
| Timber        | C114    | Beam 1140 mm               | 1    |
|               | D65     | Board 650 mm               | 6    |

Balustrade 120 - P03 T - 8-10-2021 - v1.1



# 12-1

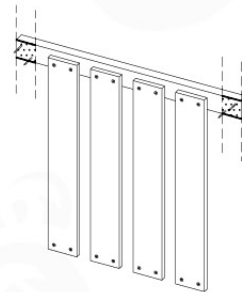


# 13 Balustrade (1x)

BL01

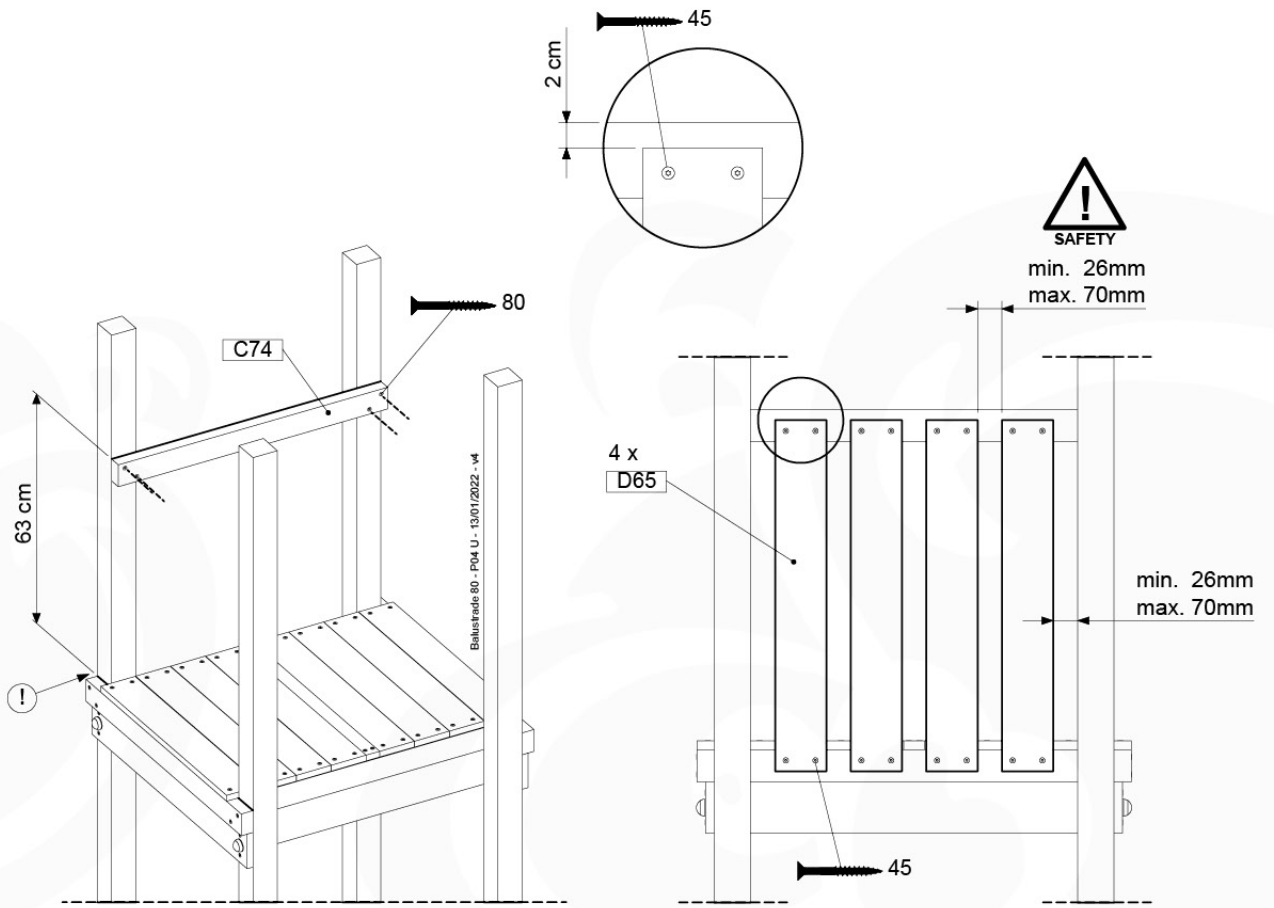
( 194\_101 )

|               | PartNo  | PartName                   | QTY.                       |
|---------------|---------|----------------------------|----------------------------|
| Hardware Pack | 002_220 | Gap Point Screw T25 - 5x45 | 16                         |
|               | 100_601 | 002_223                    | Gap Point Screw T25 - 5x80 |
| Timber        | C74     | Beam 740 mm                | 1                          |
|               | D65     | Board 650 mm               | 4                          |



Balustrade 80 - PO2 U - 13/01/2022 - v4

# 13-1



# 14 Ladder

LA03

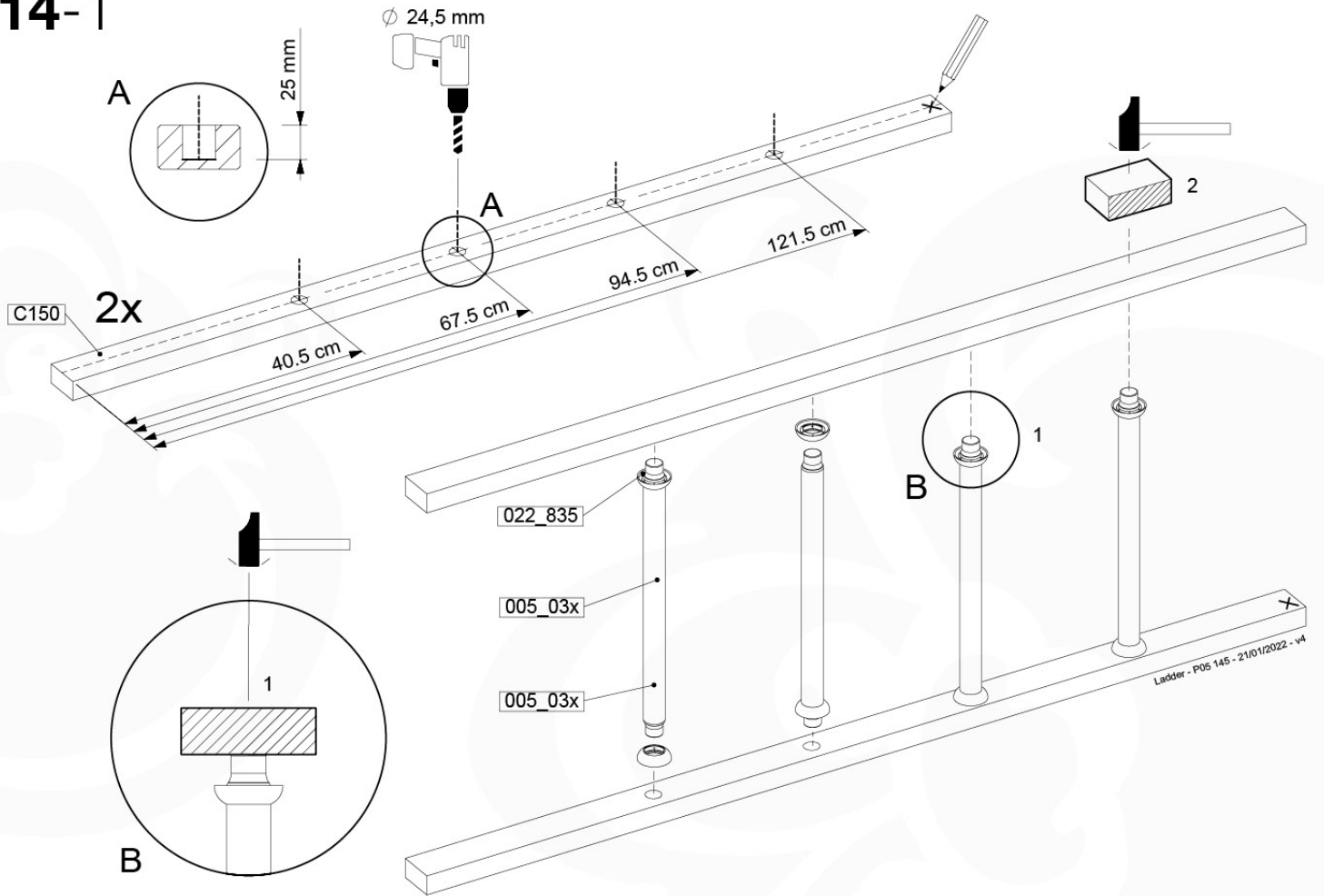
( 194\_104 )

|                          | PartNo  | PartName                       | QTY. |
|--------------------------|---------|--------------------------------|------|
| Hardware Pack<br>100_603 | 001_404 | Stealth Screw 8x30             | 4    |
|                          | 002_219 | Gap Point Screw T25 - 5x30     | 4    |
|                          | 002_220 | Gap Point Screw T25 - 5x45     | 8    |
|                          | 002_223 | Gap Point Screw T25 - 5x80     | 4    |
| Other                    | 005_03x | Ladder Rung Y/B/G/R            | 4    |
|                          | 005_522 | Connection Bracket Mini Market | 2    |
|                          | 022_835 | Rung Cap                       | 8    |
|                          | 120_102 | Handgrip set (2x Complete)     | 1    |
| Timber                   | C74     | Beam 740 mm                    | 1    |
|                          | C150    | Beam 1500 mm                   | 2    |

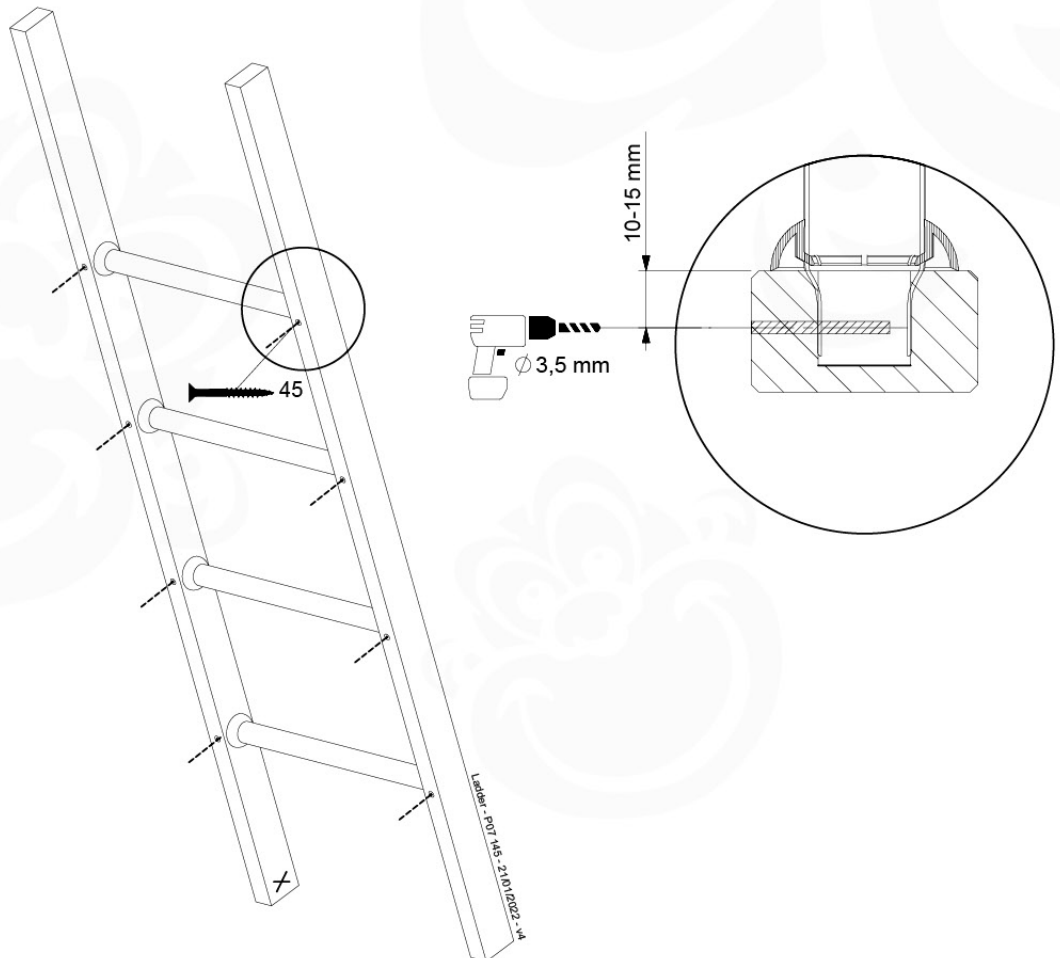
Ladder - P03 145 - 21/01/2022 - v4



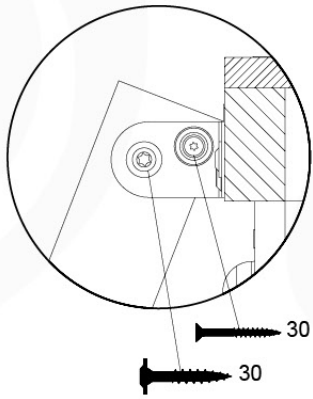
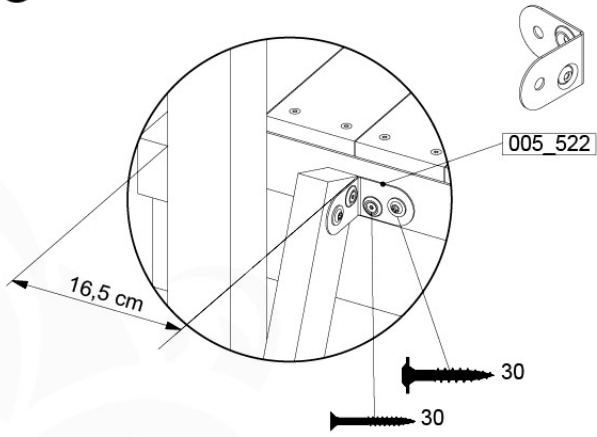
# 14-1



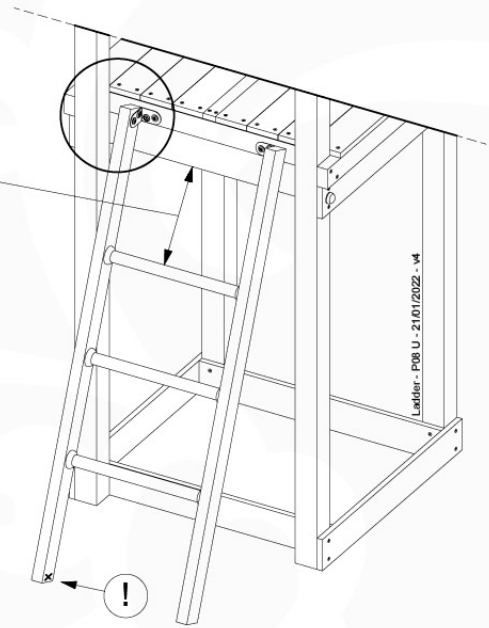
# 14-2



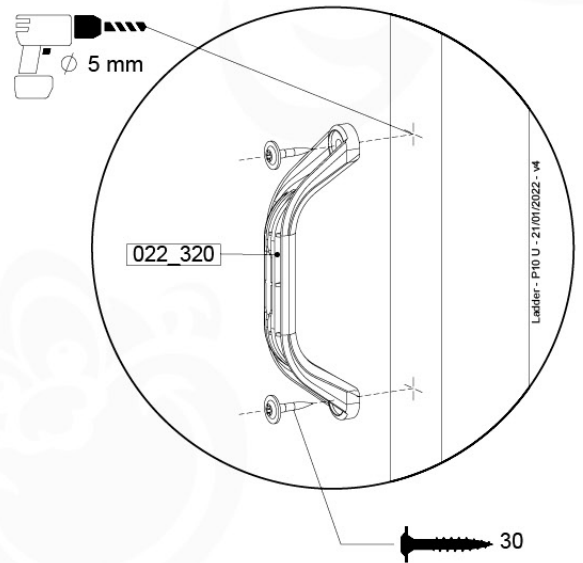
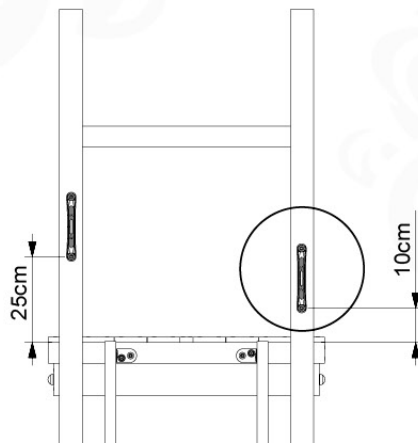
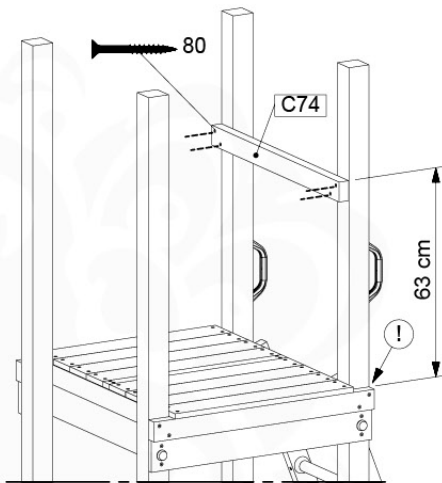
# 14-3



**SAFETY**  
min. 23 cm  
max. 28 cm



# 14-4





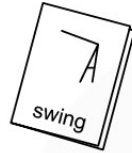
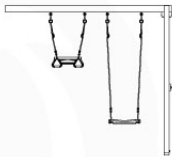
# 15 Swing Frame / Climb Frame



16



+

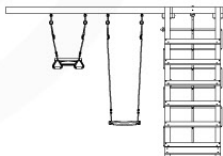


16

1-Swing Module / 2-Swing Module  
457\_101  
457\_102



+



16

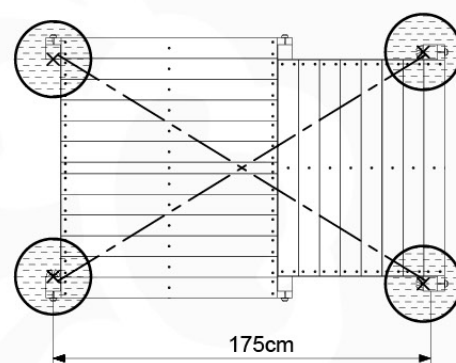
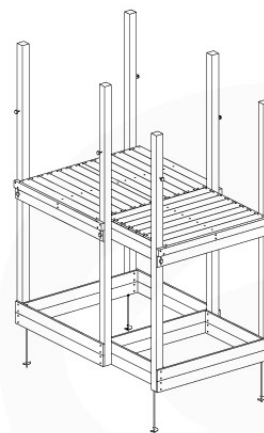
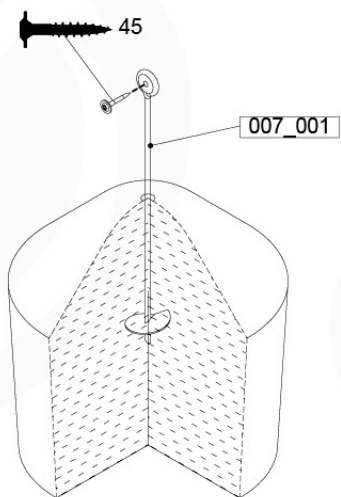
1-Climb Module / 2-Climb Module  
457\_105  
457\_106

# 16 Ground Anchors

GA06

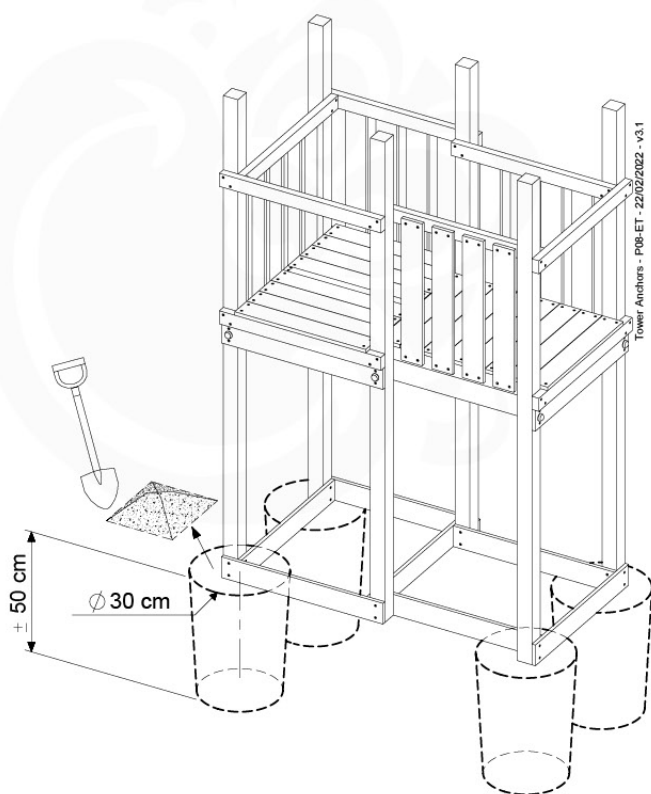
Parts:

Assembly Package Tower  
194\_300

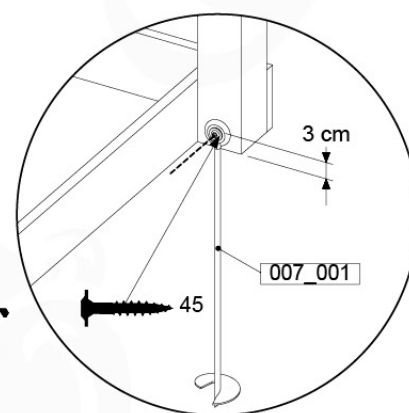
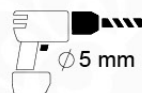


Tower Anchors - P03-GA06 - 22/02/2022 - v3.1

## 16-1



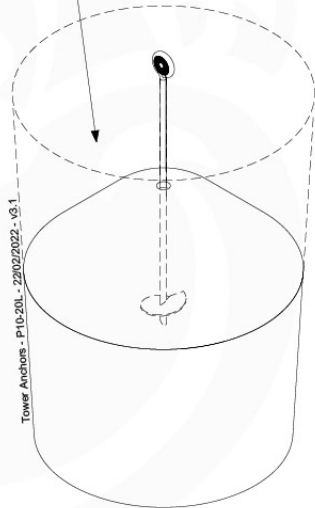
Tower Anchors - P08-ET - 22/02/2022 - v3.1



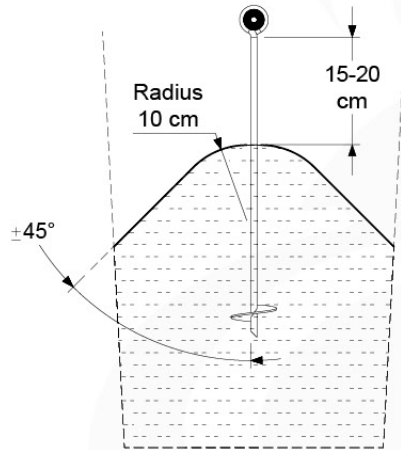
# 16-2



20 L / 40 kg



1.

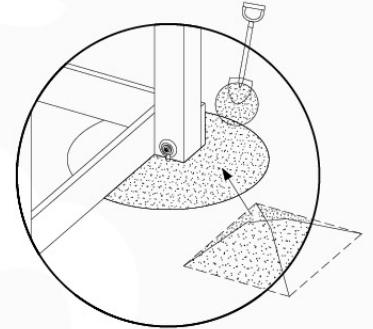


2.

24h



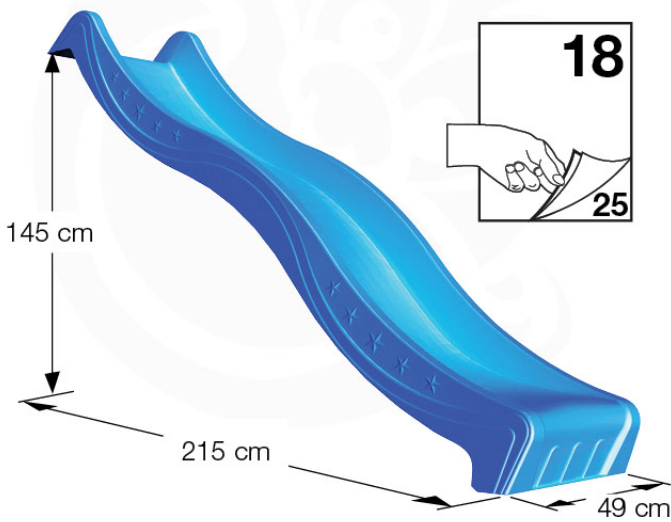
3.



4.

## 17 Add-on Wavy Star Slide XXL

- 334\_100 Yellow
- 334\_200 Blue
- 334\_300 Green
- 334\_400 Red
- 334\_500 Fuchsia
- 334\_600 Dark Green

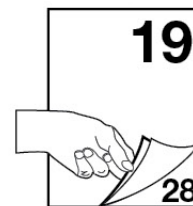


18

25

## Fireman's Pole

201\_275



19

28



# 18 Slide Set

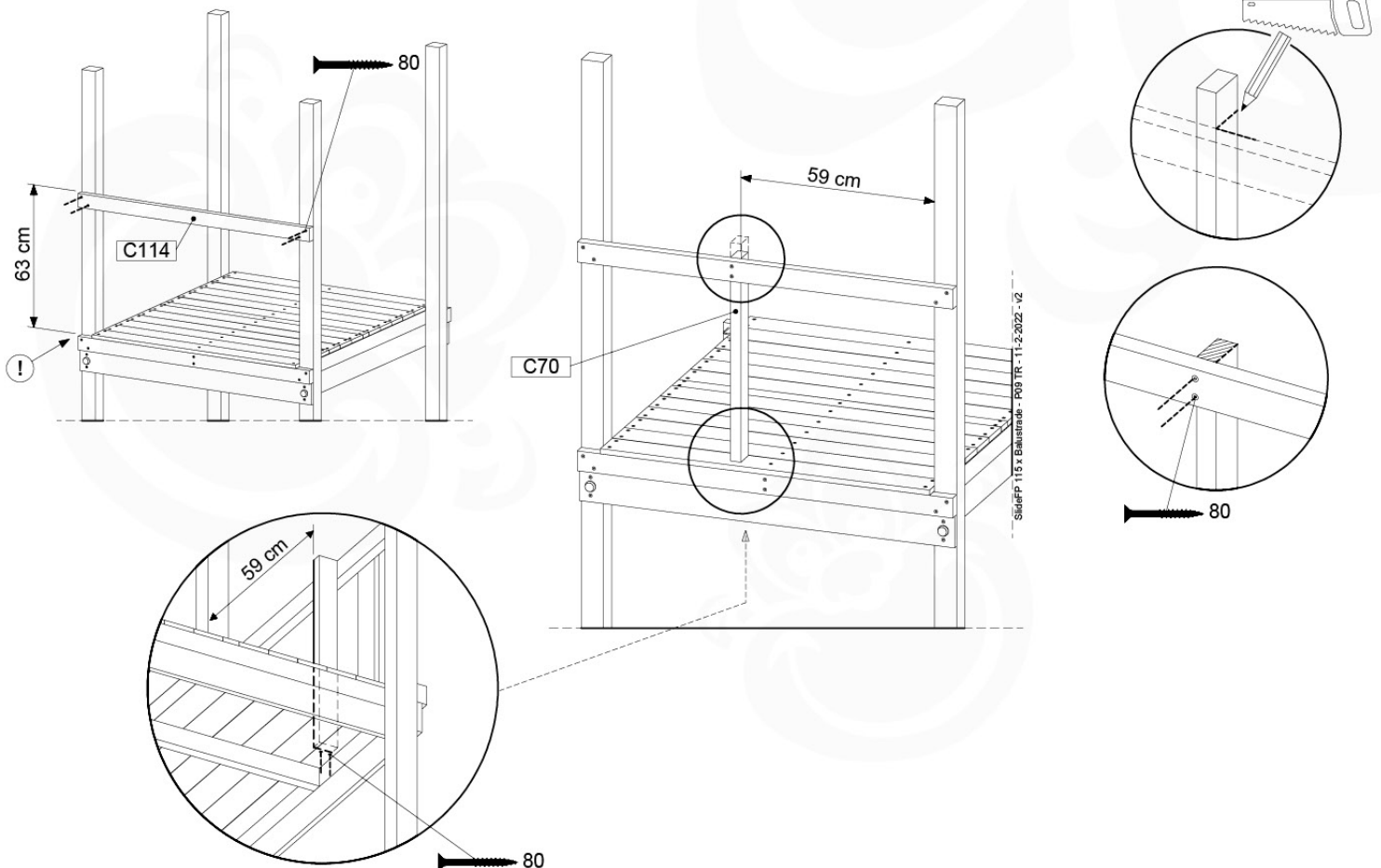
SL13

|               | PartNo             | PartName                                                    | QTY. |
|---------------|--------------------|-------------------------------------------------------------|------|
| Hardware Pack | 000_101            | Nail Pan Head                                               | 10   |
|               | 002_220            | Gap Point Screw T25 - 5x45                                  | 8    |
|               | 002_223            | Gap Point Screw T25 - 5x80                                  | 8    |
|               | 002_308            | Gap Point Screw T25 - 5x20                                  | 2    |
| Other         | 120_102            | Handgrip set (complete 2x)                                  | 1    |
|               | 123_200            | Bumperpad                                                   | 1    |
|               | 324_xxx<br>334_xxx | Wavy Star Slide XL 2200 mm /<br>Wavy Star Slide XXL 2650 mm | 1    |
| Timber        | C114               | Beam 1140 mm                                                | 1    |
|               | C70                | Beam 700 mm                                                 | 1    |
|               | D65                | Board 650 mm                                                | 2    |

SlideFP 115 x Balustrade - P05 TR - 11-2-2022 - v2

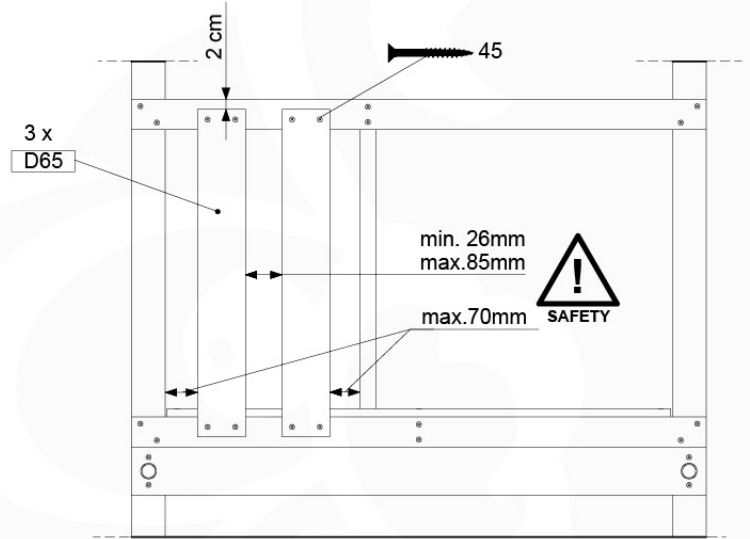
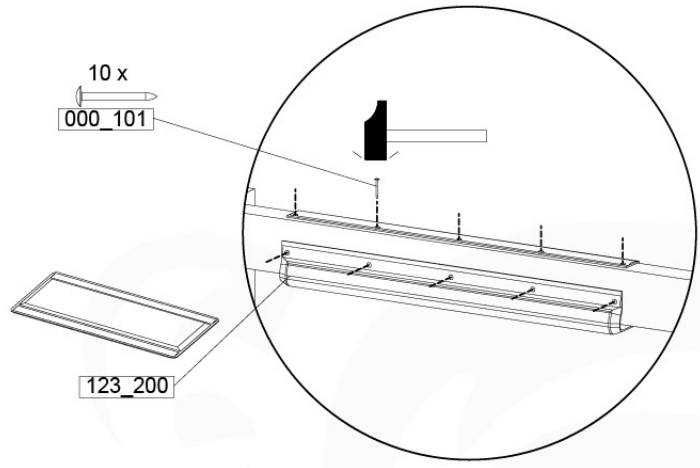
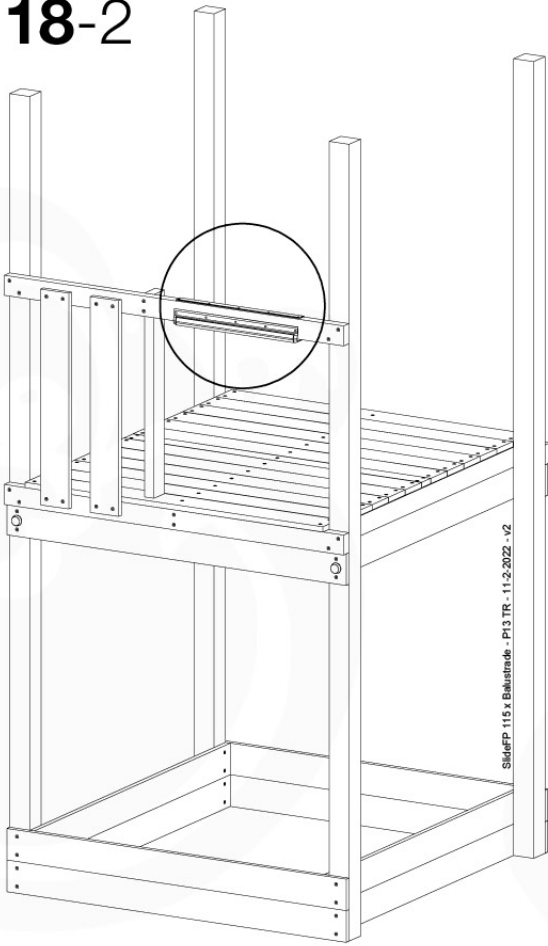


## 18-1

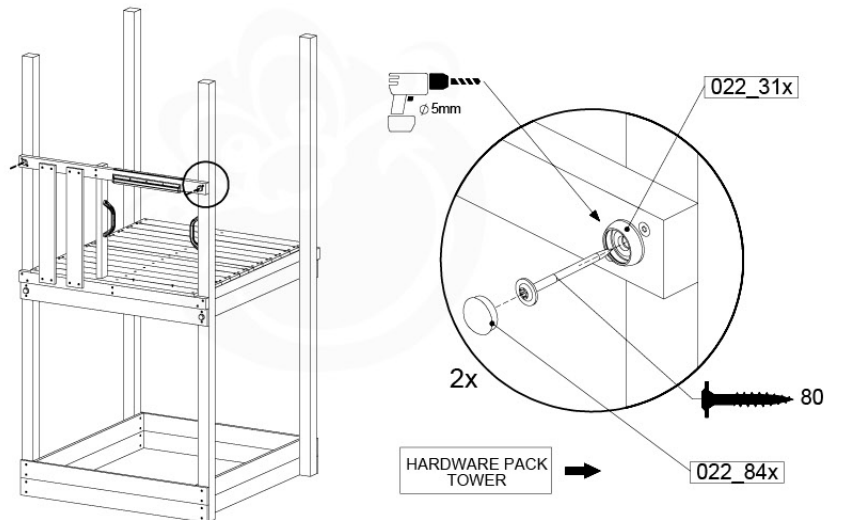
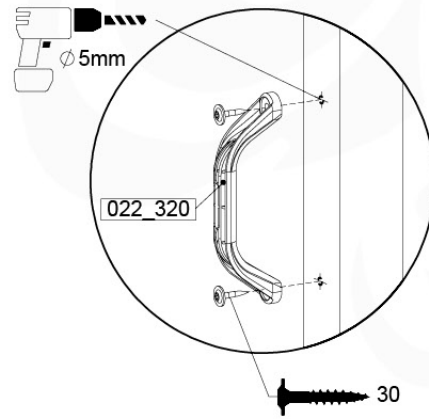
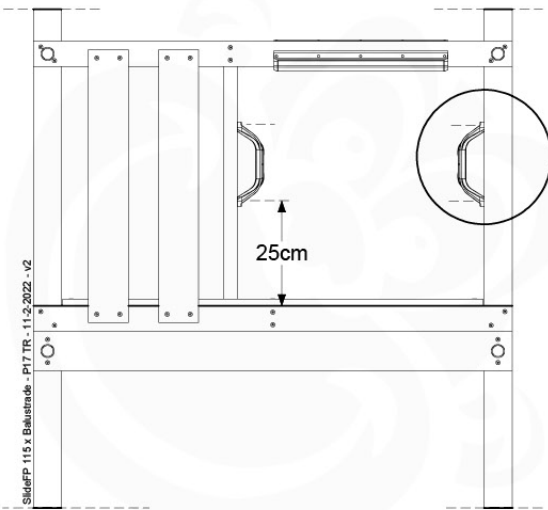


SlideFP 115 x Balustrade - P09 TR - 11-2-2022 - v2

# 18-2



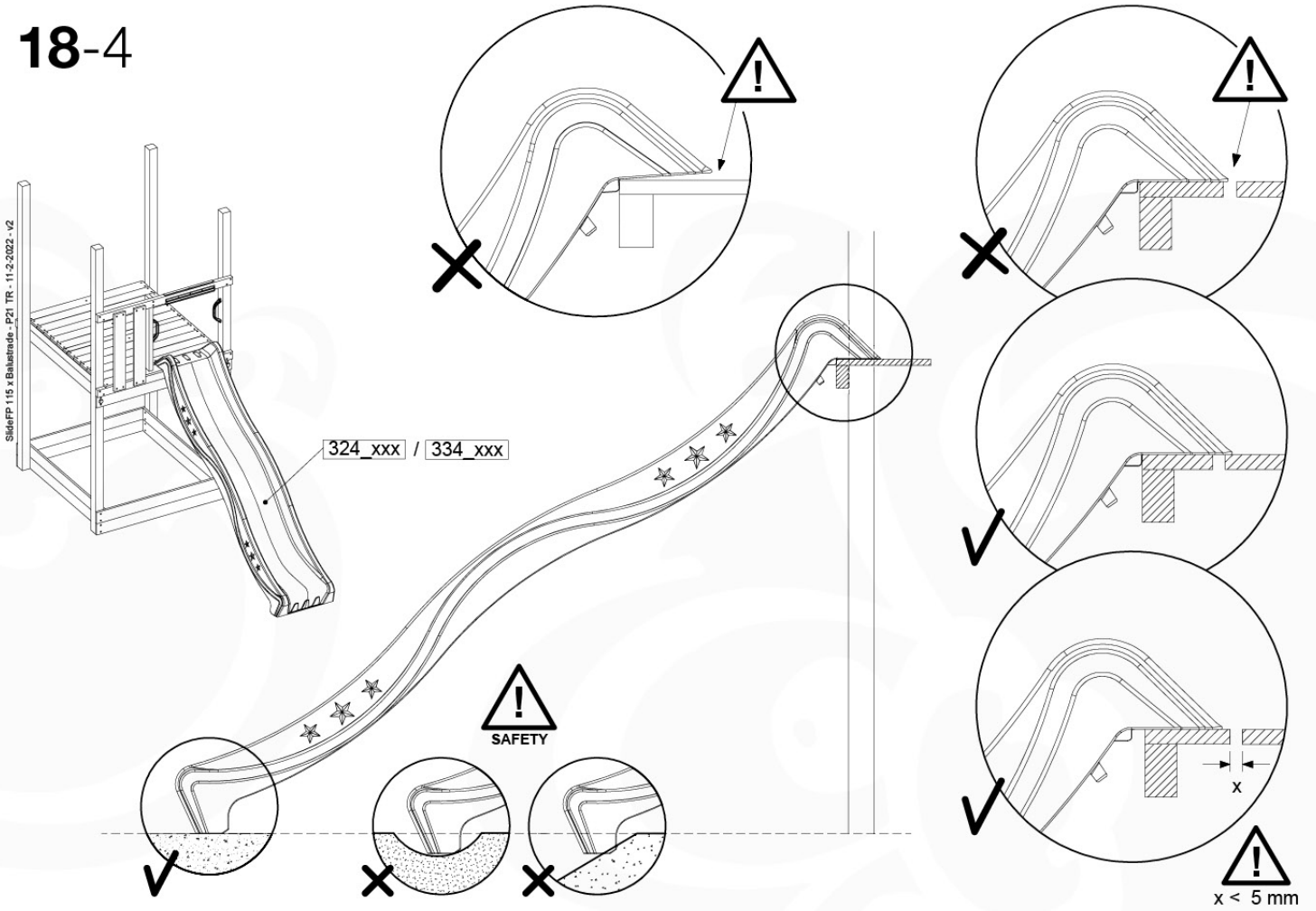
# 18-3





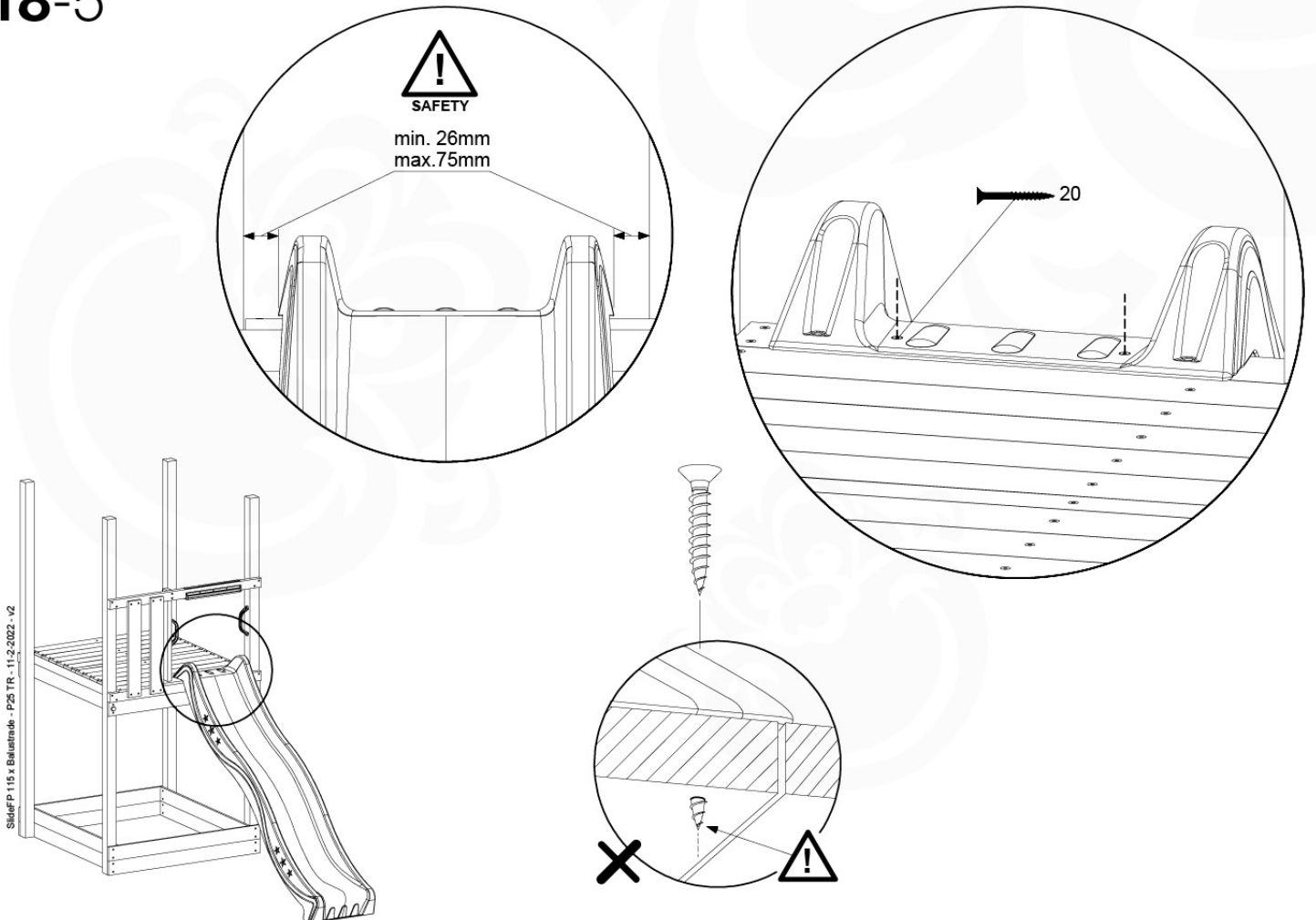
# 18-4

SlideP1 115 x Balustrade - P21 TR - 11.2.2022 - v2

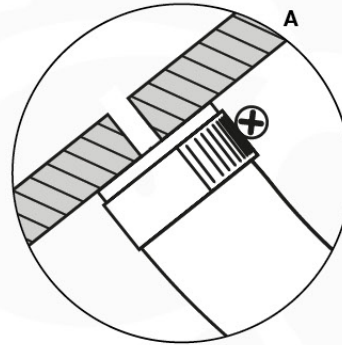
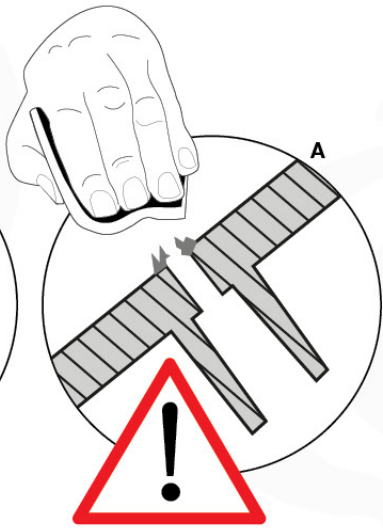
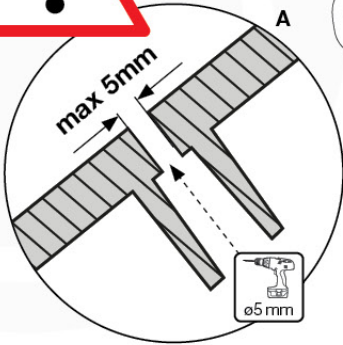
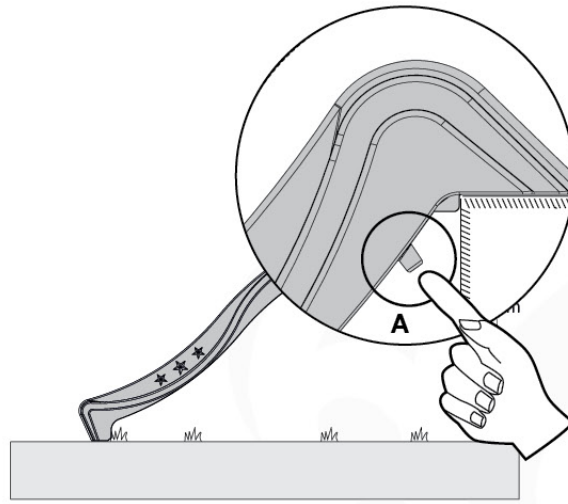


# 18-5

SlideP1 115 x Balustrade - P25 TR - 11.2.2022 - v2

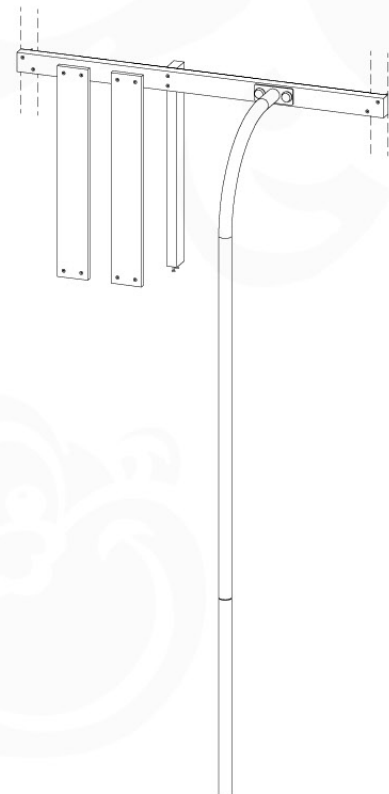


# 18-6



# 19 Firemans Pole

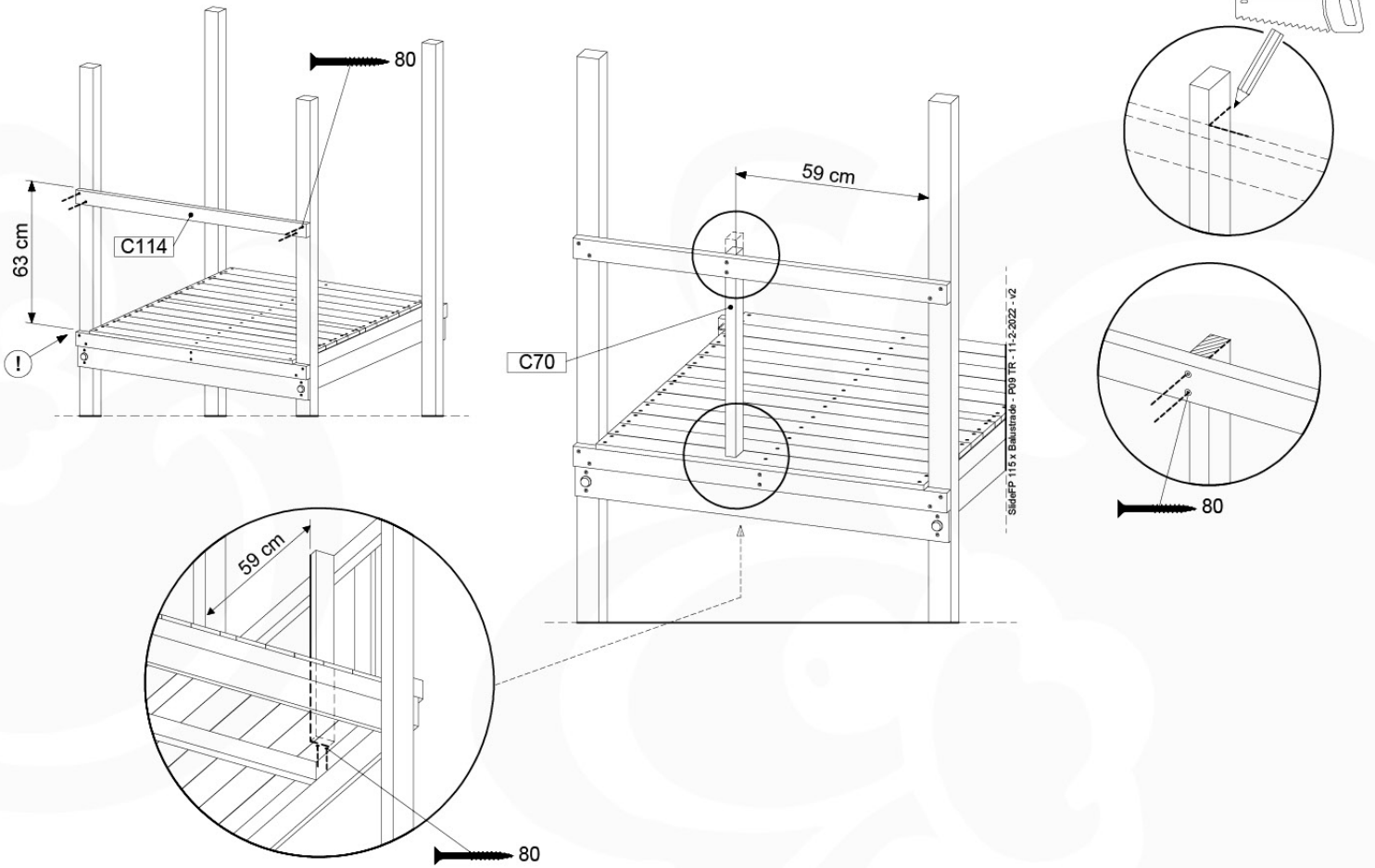
FP11



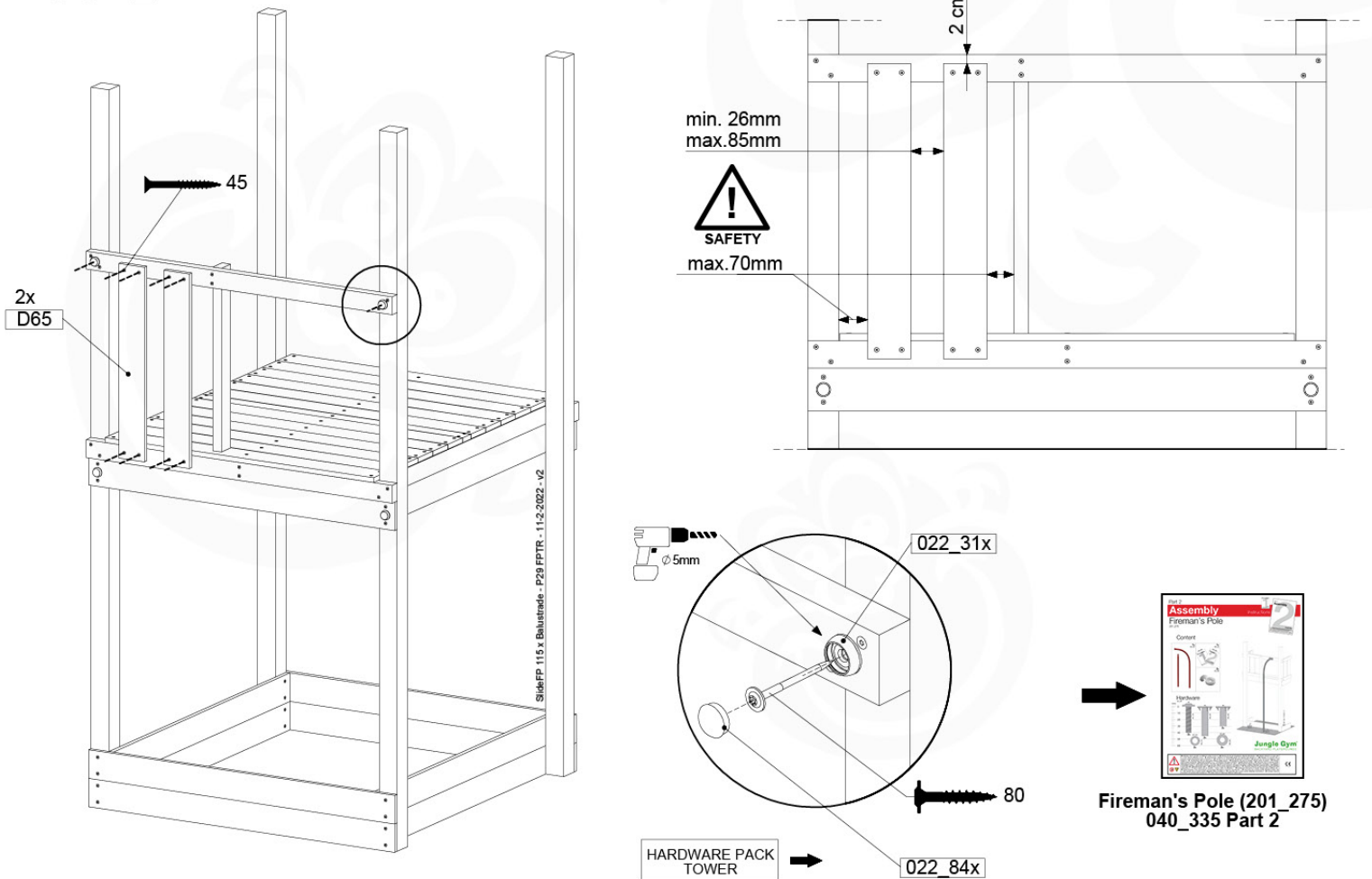
|                  | PartNo  | PartName                   | QTY. |
|------------------|---------|----------------------------|------|
| Hardware Pack(s) | 001_103 | M8 Washer Head Screw 40mm  | 2    |
|                  | 002_220 | Gap Point Screw T25 - 5x45 | 8    |
|                  | 002_223 | Gap Point Screw T25 - 5x80 | 8    |
|                  | 003_010 | M8 spring lock washer      | 2    |
|                  | 003_040 | M8 Washer                  | 2    |
|                  | 004_052 | M8 Drive-in Nut 30mm       | 2    |
|                  | 004_054 | M8 Drive-in Nut 45mm       | 2    |
|                  | 022_31x | bpc-base version 3         | 2    |
|                  | 022_84x | bpc cover                  | 2    |
| Other            | 102_915 | Fireman's Pole             | 1    |
| Timber           | C70     | Beam 700 mm                | 1    |
|                  | C114    | Beam 1140 mm               | 1    |
|                  | D65     | Board 650 mm               | 2    |

SlideFP 115 x Ballastide - P33 FPTR - 11-2-2022 - v2

# 19-1



# 19-2



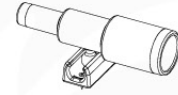
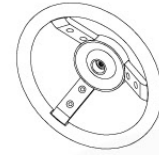
# 20 Accessories

AC01

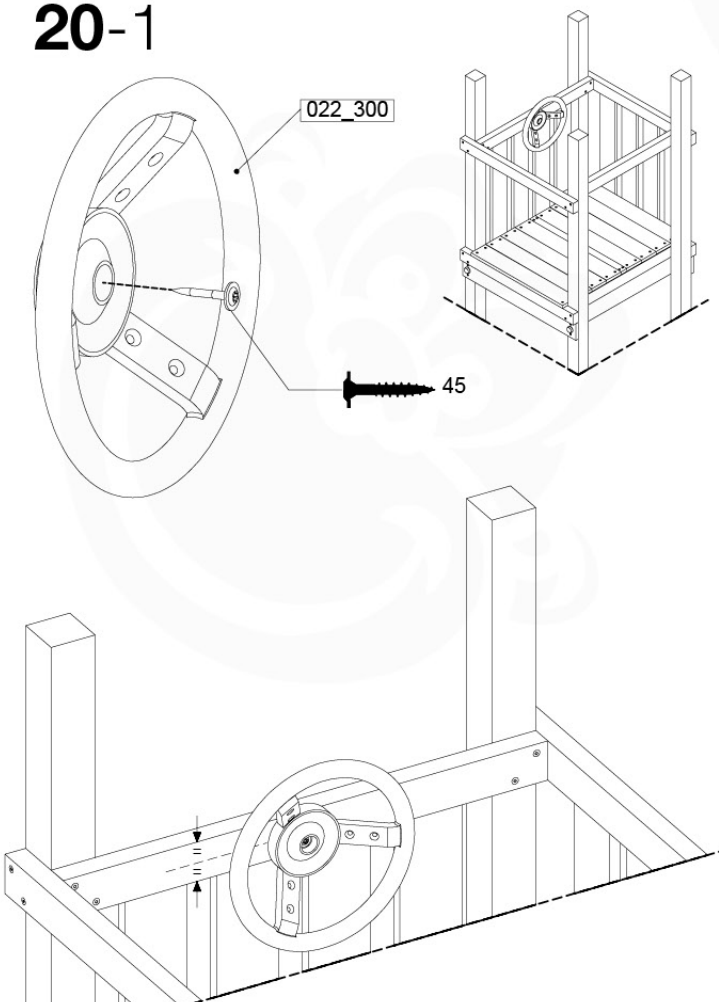
( 194\_119 )

|                          | PartNo  | PartName                    | QTY. |
|--------------------------|---------|-----------------------------|------|
| Hardware Pack<br>100_617 | 001_406 | Stealth Screw 8x45          | 1    |
|                          | 002_041 | Dome head screw 4.5 x 20 mm | 3    |
|                          | 002_042 | Dome head screw 3.5 x 13mm  | 4    |
|                          | 002_219 | Gap Point Screw T25 - 5x30  | 2    |
| Other                    | 022_300 | Steering Wheel              | 1    |
|                          | 022_800 | Rail P/T 105                | 1    |
|                          | 022_910 | Sandpad                     | 1    |
|                          | 103_901 | Logo ID Plate               | 1    |
|                          | 104_107 | Tool Set Climbing Units     | 1    |
|                          | 120_024 | Tower Flag                  | 1    |
|                          | 122_302 | Telescope                   | 1    |

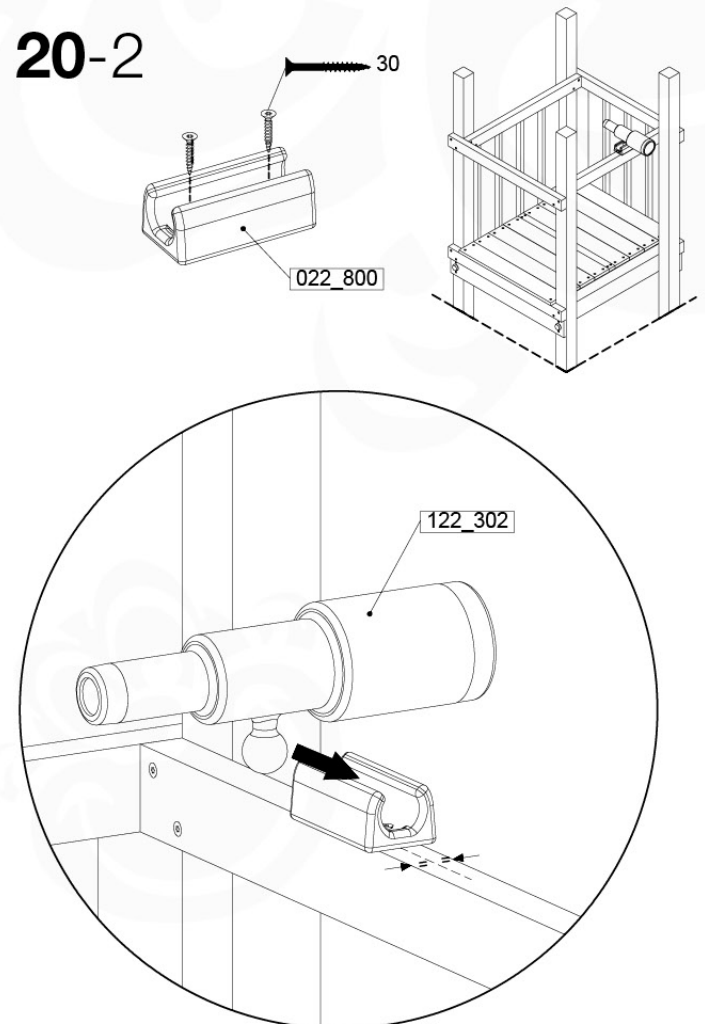
Accessory set - P02 - 29-9-2021 - 14



## 20-1

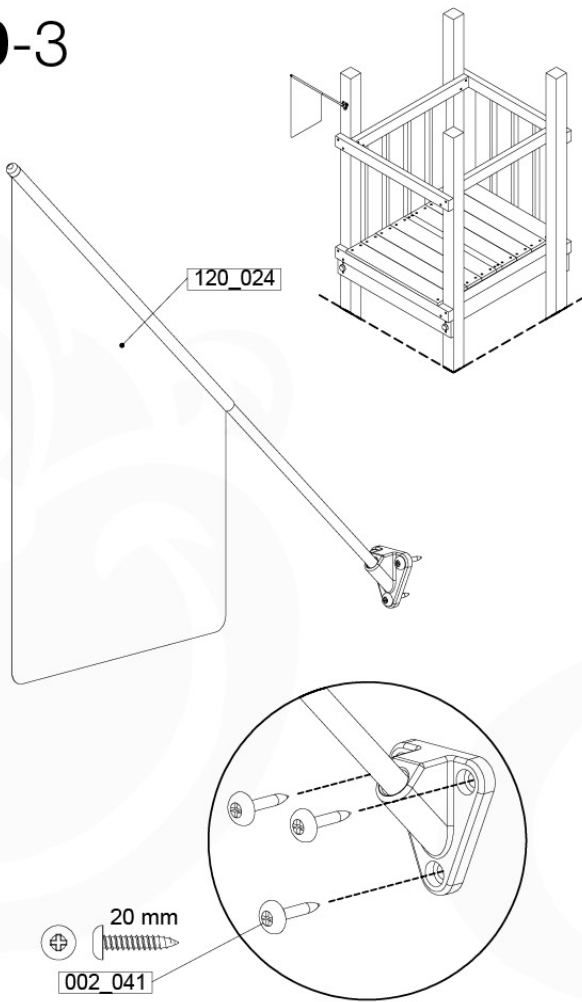


## 20-2

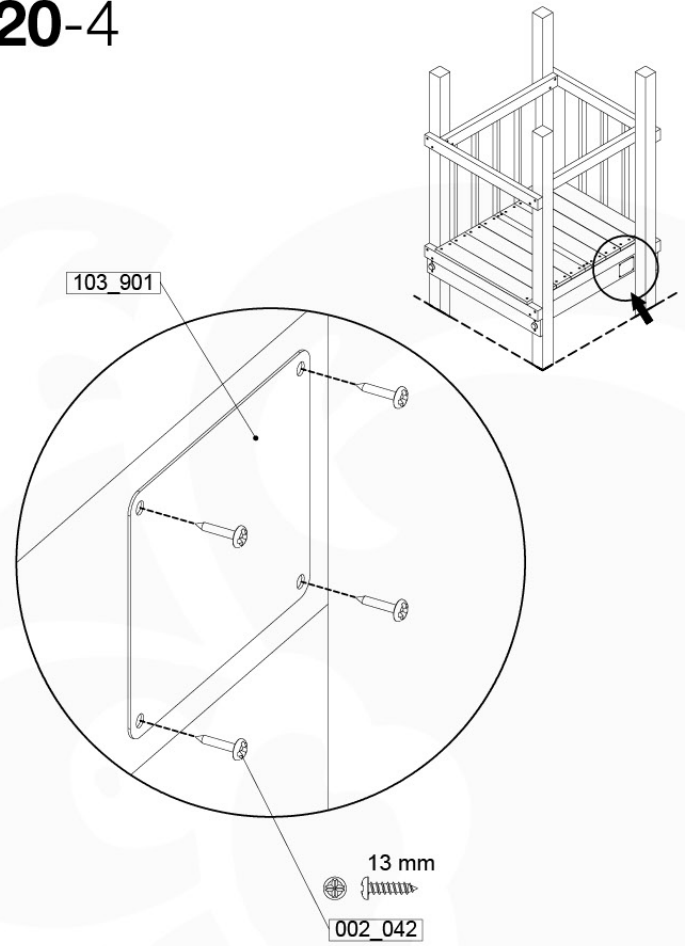


Accessory set - P03 - 29-9-2021 - 14

# 20-3



# 20-4



Accessoire set - P04 - 29-9-2021 - v4

# 20-5

1x  
022\_910

