

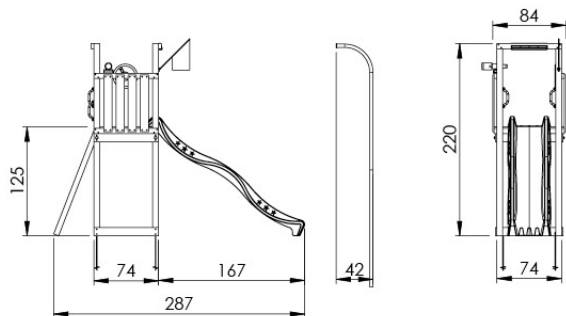
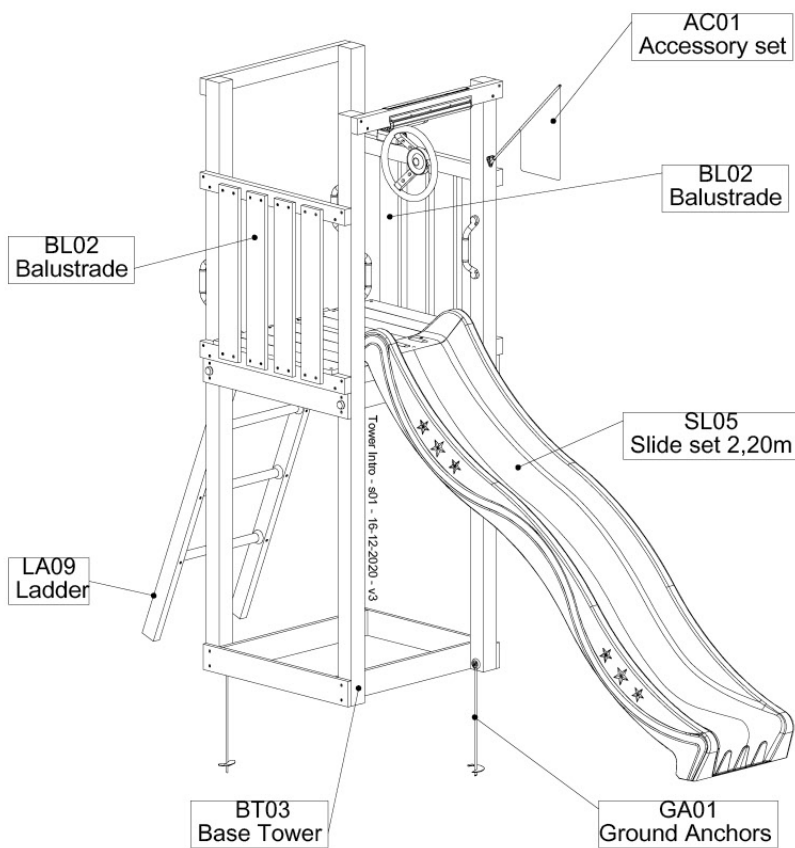
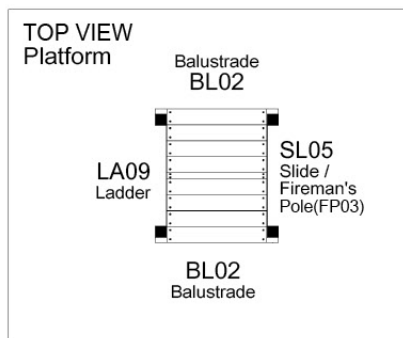
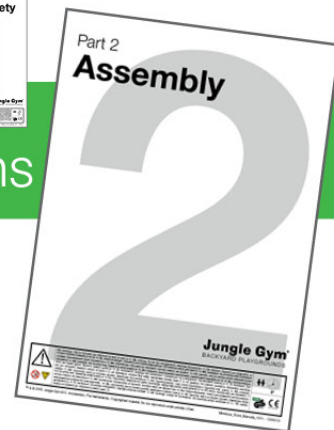
Assembly

Jungle Tower

802_201



Instructions



Jungle Gym

BACKYARD PLAYGROUNDS

since 1988


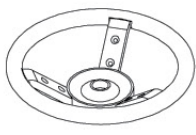
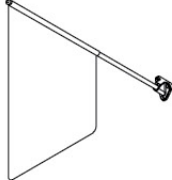


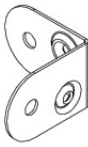
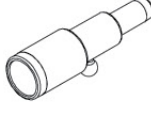
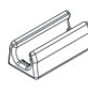
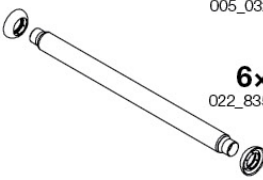


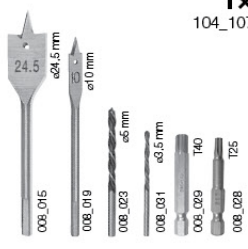
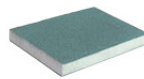

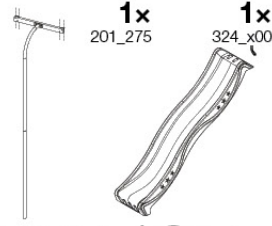


EN. Warnings. Only for domestic use. Maximum number of users is 4. **DE.** Achtung. Nur für den Hausgebrauch. Maximale Benutzerzahl: 4. **FR.** Attention. Réserve à un usage familial. Le nombre maximal d'utilisateurs est de 4. **NL.** Waarschuwingen. Uitsluitend voor huishoudelijk gebruik. Het maximale aantal gebruikers is 4. **BG.** Внимание. За употреба само в домашни условия. Максималният брой потребители е 4. **CS.** Varování. Jen pro domácí použití. Maximální počet uživatelů je 4. **DA.** Advarsel. Kun til privat brug. Maksimum antal brugere er 4. **EL.** Προειδοποίηση. Μόνο για οικιακή χρήση. Μέγιστος αριθμός χρηστών 4. **ES.** Advertencias. Solo para uso doméstico. Número máximo de usuarios: 4. **ET.** Hoiatused. Ainult koduseks kasutamiseks. Maksimaalne kasutajate arv on 4. **FI.** Varoitukset. Ainoastaan kotikäyttöön. Käyttäjää yhteensä enintään 4. **HR.** Upozorenja. Samo za kućansku uporabu. Maksimalan broj korisnika je 4. **HU.** Figyelmeztetések. Csak otthoni használatra! A használók max. száma: 4. **IS.** Varnaðarorð. Engöngu fyrir einkanoðkun í heimahúsum og á einkalóðum. Hámarksfjöldi notenda er 4. **IT.** Avvertenze. Solo per uso domestico. Massimo numero di utenti è 4. **LT.** Įspėjimai. Tik buitnam naudojimui. Maksimalus naudotojų skaičius 4. **LV.** Brīdinājumi. Izmantoj tikai mājās. Maksimālais lietotāju skaits ir 4. **NO.** Advarsel. Kun for privat bruk. Maksimalt antall brukere er 4. **PL.** ostrzeżenia. Wyłącznie do użytku domowego. Maksymalna liczba użytkowników to 4. **PT.** Avisos. Apenas para uso doméstico. O número máximo de utilizadores é 4. **RO.** Avertismente. Numai pentru uz domestic. Numărul maxim de utilizatori este 4. **RU.** Предостережения. Только для домашнего использования. Максимальное количество пользователей - 4. **SK.** Upozornenia. Iba na domáce použitie. Maximálne množstvo osôb je 4. **SL.** Opozorila. Samo za domačo uporabo. Maksimalno število uporabnikov je 4. **SR.** Upozorenja. Samo za kućnu upotrebu. Maksimalan broj korisnika je 4. **SV.** Varningar. Endast för hemmabruk. Det maximala antalet användare är 4. **TR.** Uyarılar. Sadece ev kullanımı için. Maksimum kullanıcı sayısı 4.



01 What's in the delivery?








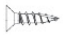


402_201 + 324_000/201_275

 <p>1x 040_805 1x 040_070</p>	 <p>1x 022_300</p>	 <p>1x 120_024</p>	 <p>2x 007_001</p>	 <p>2x 120_102 4x 022_820 8x 001_104</p>
 <p>2x 005_522</p>	 <p>1x 122_302</p>  <p>1x 022_800</p>	 <p>3x 005_03x 6x 022_835</p>	 <p>1x 123_200</p>	 <p>1x 100_600 100_605 100_617 100_903 2x 100_601</p>
 <p>1x 104_107</p>	 <p>1x 022_910</p>	 <p>1x 103_901</p>	 <p>1x 201_275 1x 324_x00</p> <p>FMP / Slide</p>	

02 Hardware

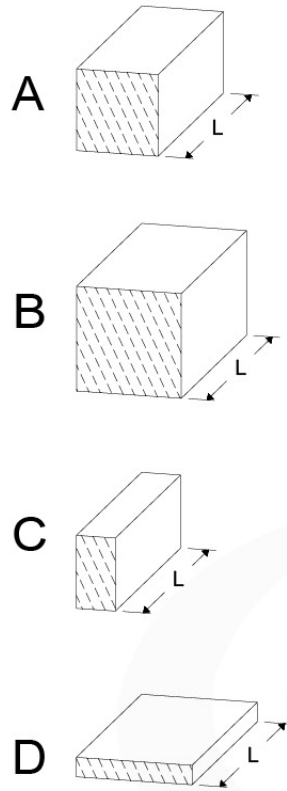
Total HWP 100_000 Jungle Tower

20211116

001_406	7x		ø8 x 45mm	000_101	10x		ø2 x 20mm
001_404	4x		ø8 x 30mm	120_005	4x		M8
002_223	33x		ø5 x 80mm				
002_220	116x		ø5 x 45mm				
002_219	6x		ø5 x 30mm				
002_308	2x		ø5.0 x 20mm				
002_041	3x		ø4.5 x 20mm				
002_042	4x		ø3.5 x 13mm				

03 Timber

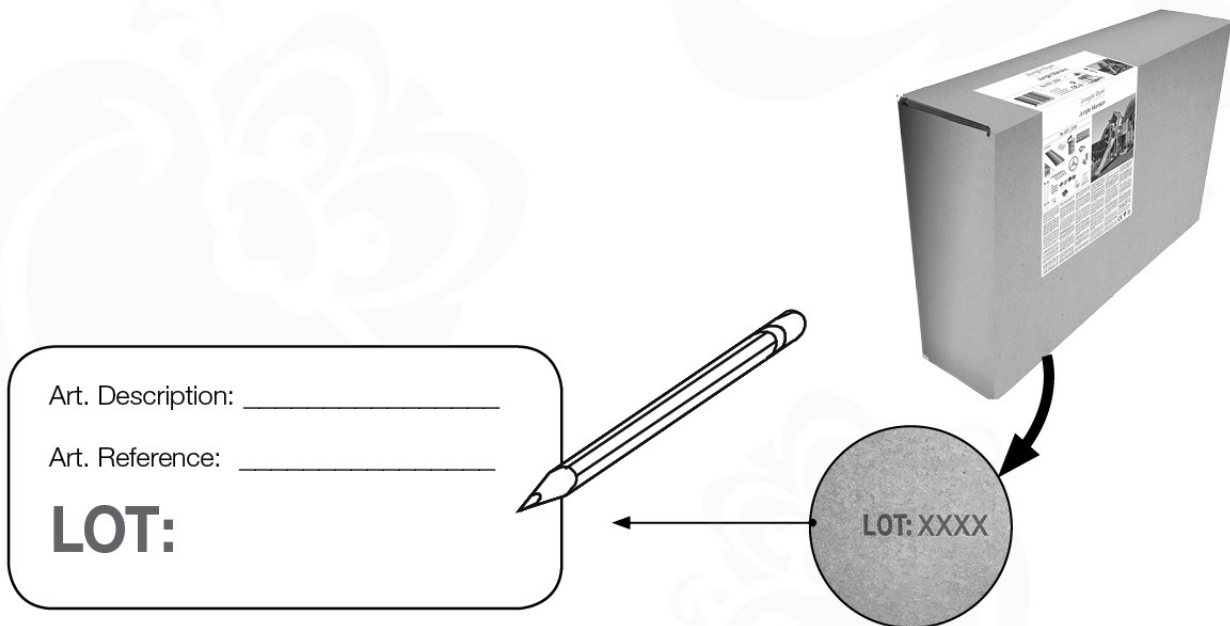
602_201 Jungle Tower



	L	
A220	219cm - 220cm	4 x
-	-	-
C130 C74	129cm - 130cm 73cm - 74cm	2 x 8 x
D74 D65 D60	73cm - 74cm 64cm - 65cm 59cm - 60cm	8 x 8 x 10 x

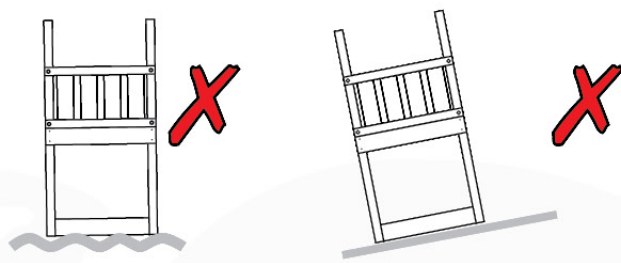
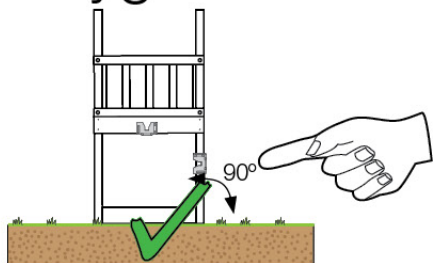
output: 20/11/20

04 Product Identification

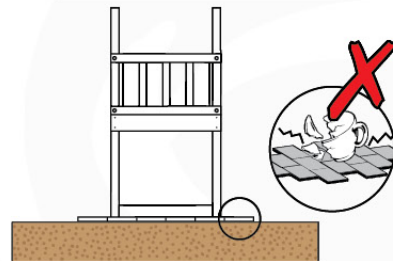
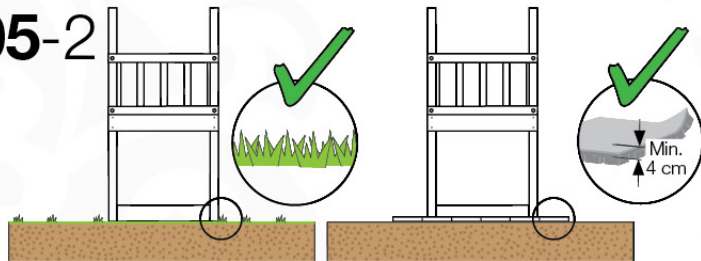


05 Safe Playground

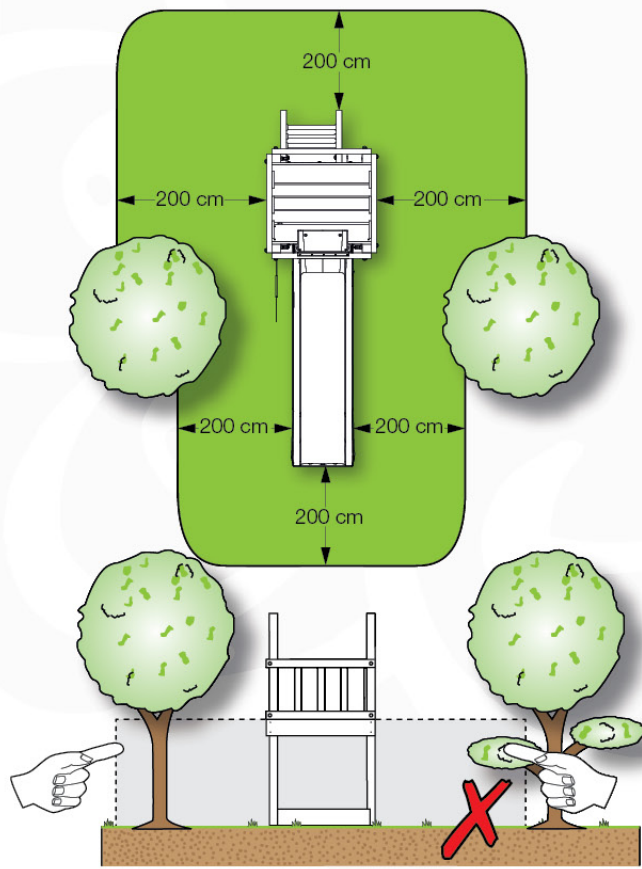
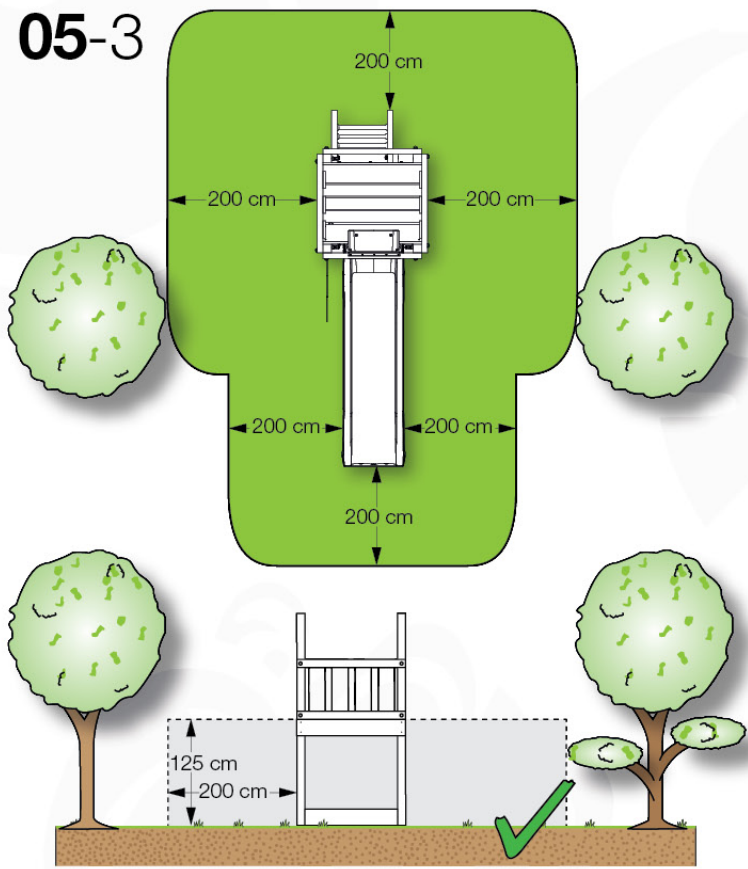
05-1



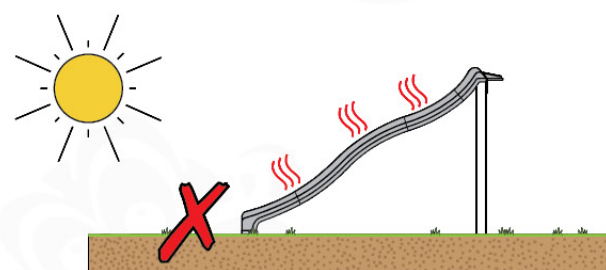
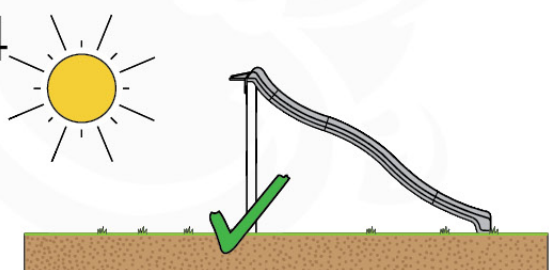
05-2



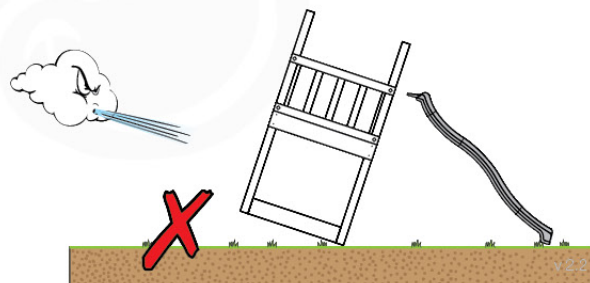
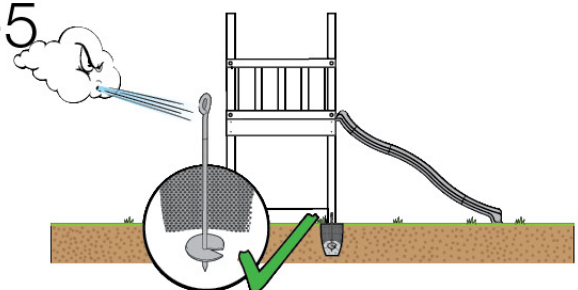
05-3



05-4

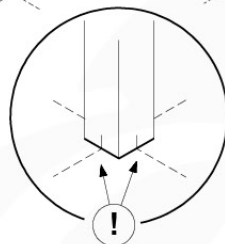
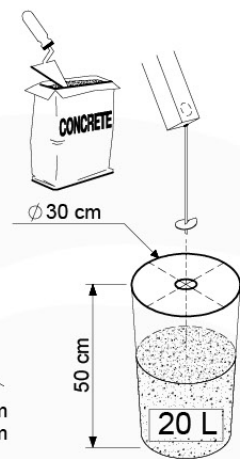
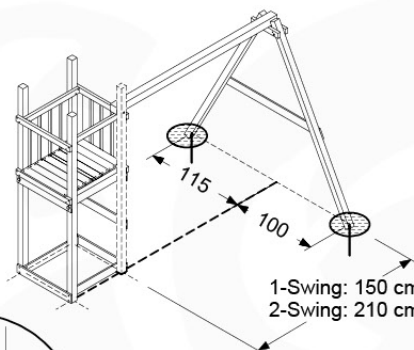
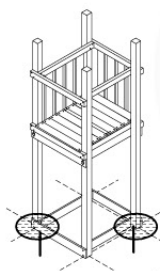
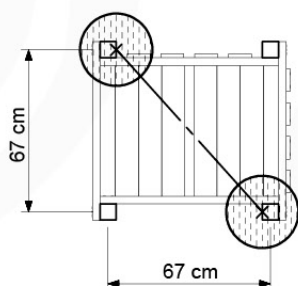
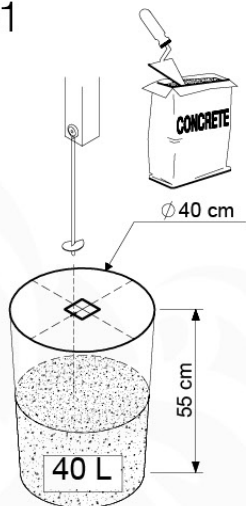


05-5

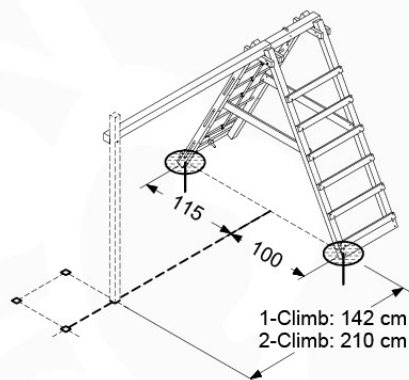


06 Playground Foundation

FD01



Foundation Plan TS - P02 - 23-3-2022 - v3



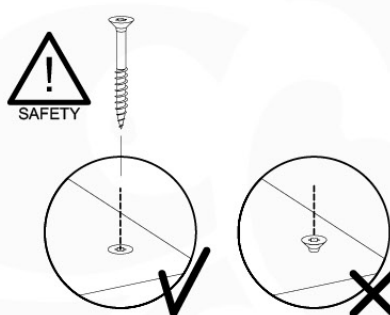
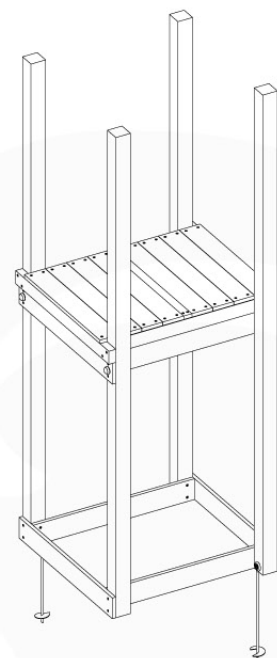
07 Base Tower

BT03

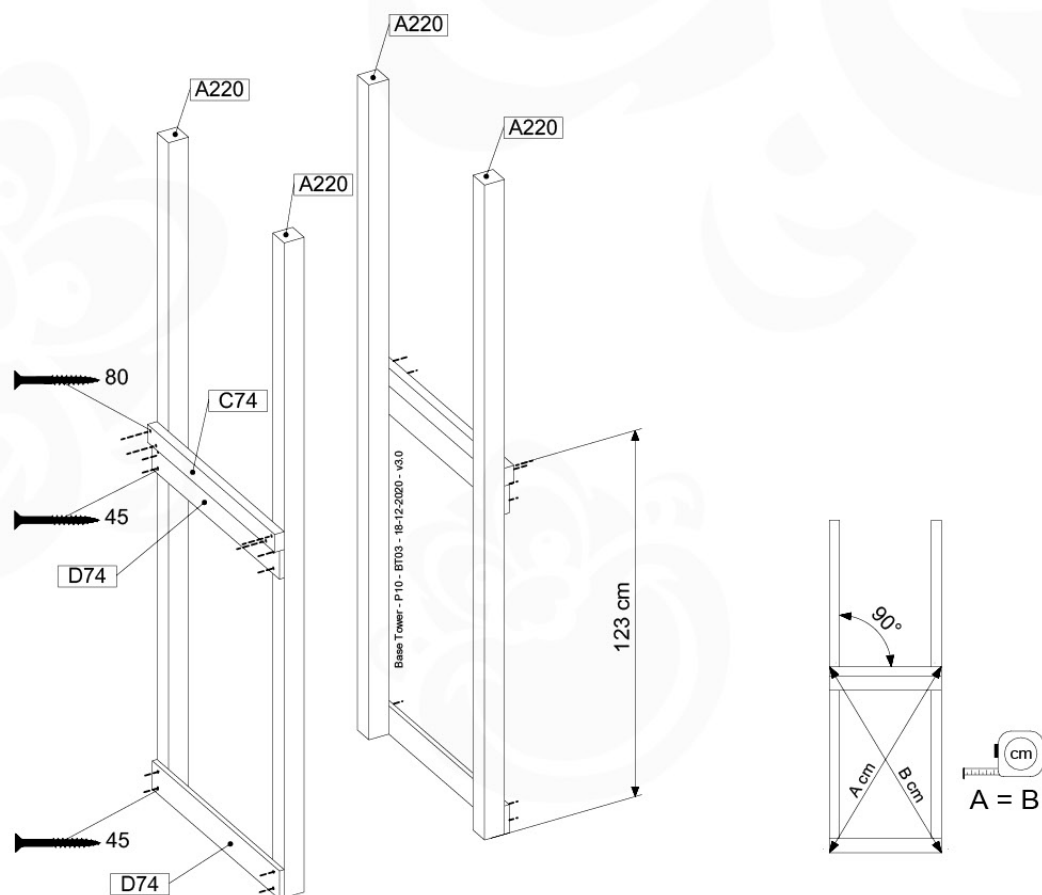
(194_100)

	PartNo	PartName	QTY.
Hardware Pack 100_600	001_406	Stealth Screw 8x45	6
	002_220	Gap Point Screw T25 - 5x45	72
	002_223	Gap Point Screw T25 - 5x80	16
Other	007_001	Ground-anchor	2
Hardware Pack 100_600	022_31x	bpc-base version 3	4
	022_84x	bpc cover	4
Wood	A220	Post 70x70 L2200	4
	C74	Beam 740 mm	4
	D60	Board 600 mm	10
	D74	Board 740 mm	8

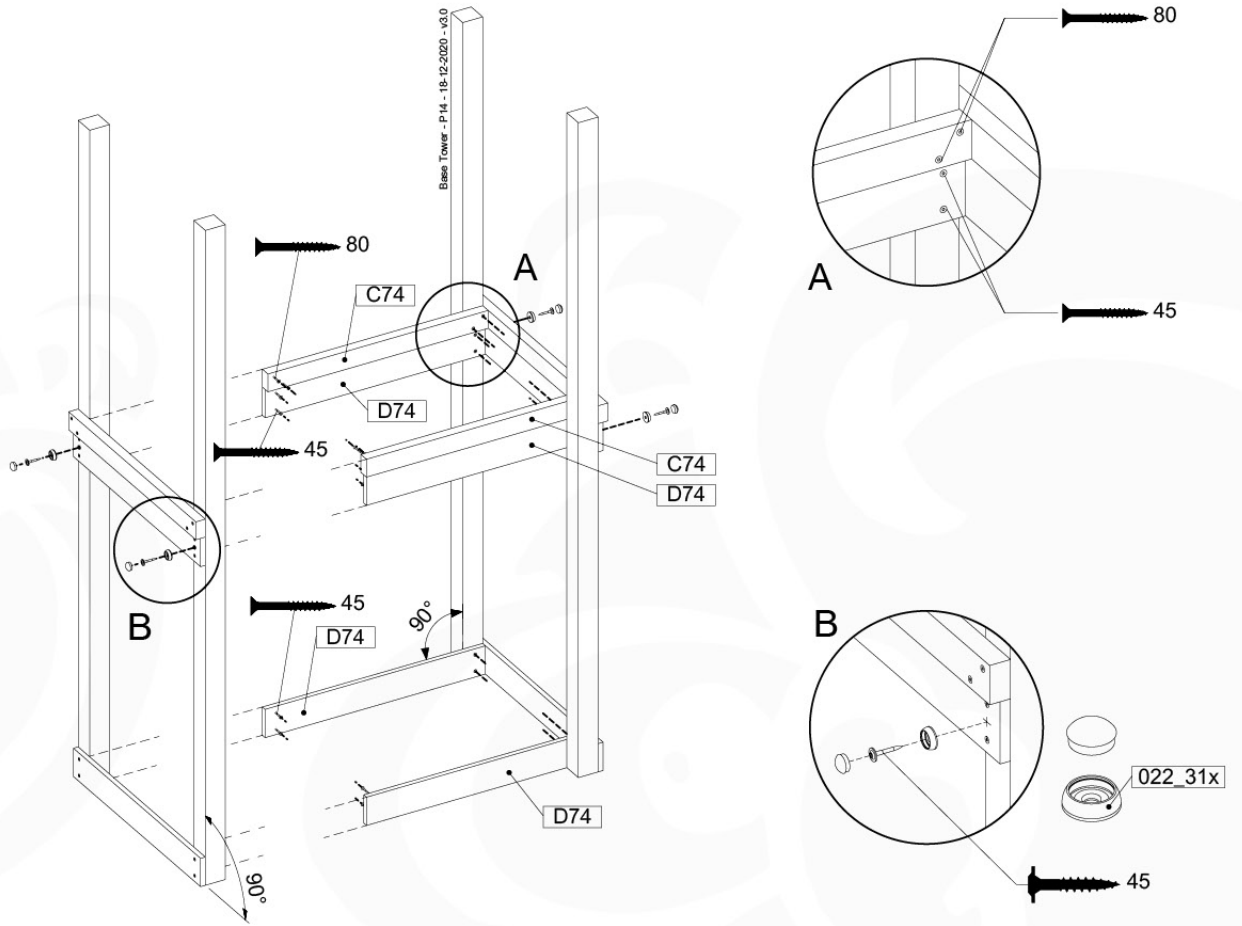
Base Tower - P04 - BT03 - 18-12-2020 - v3.0



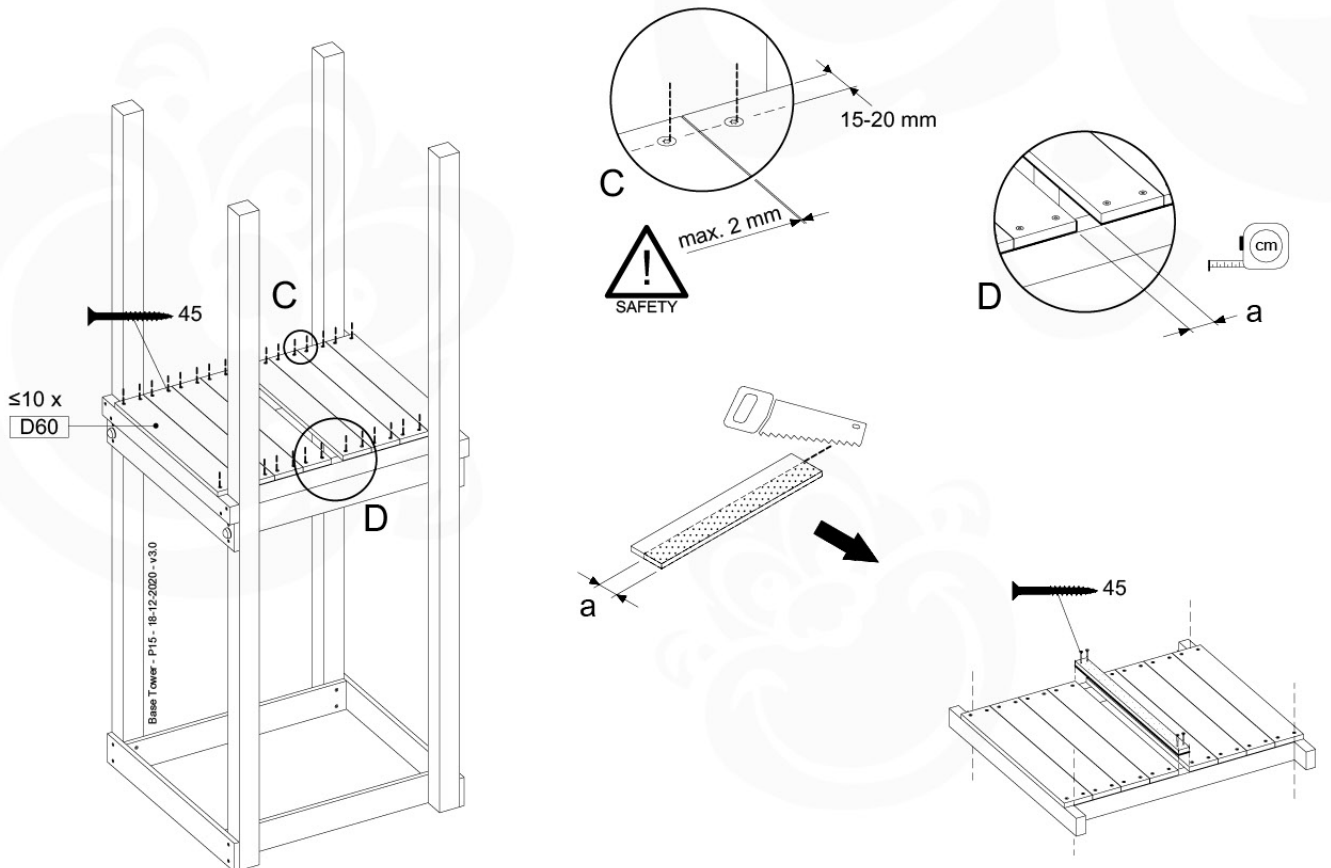
07-1



07-2



07-3



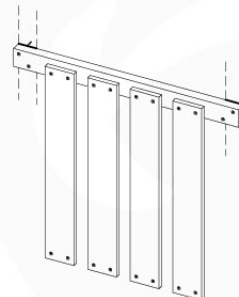
08 Balustrade

BL02 - 2x

(194_101)

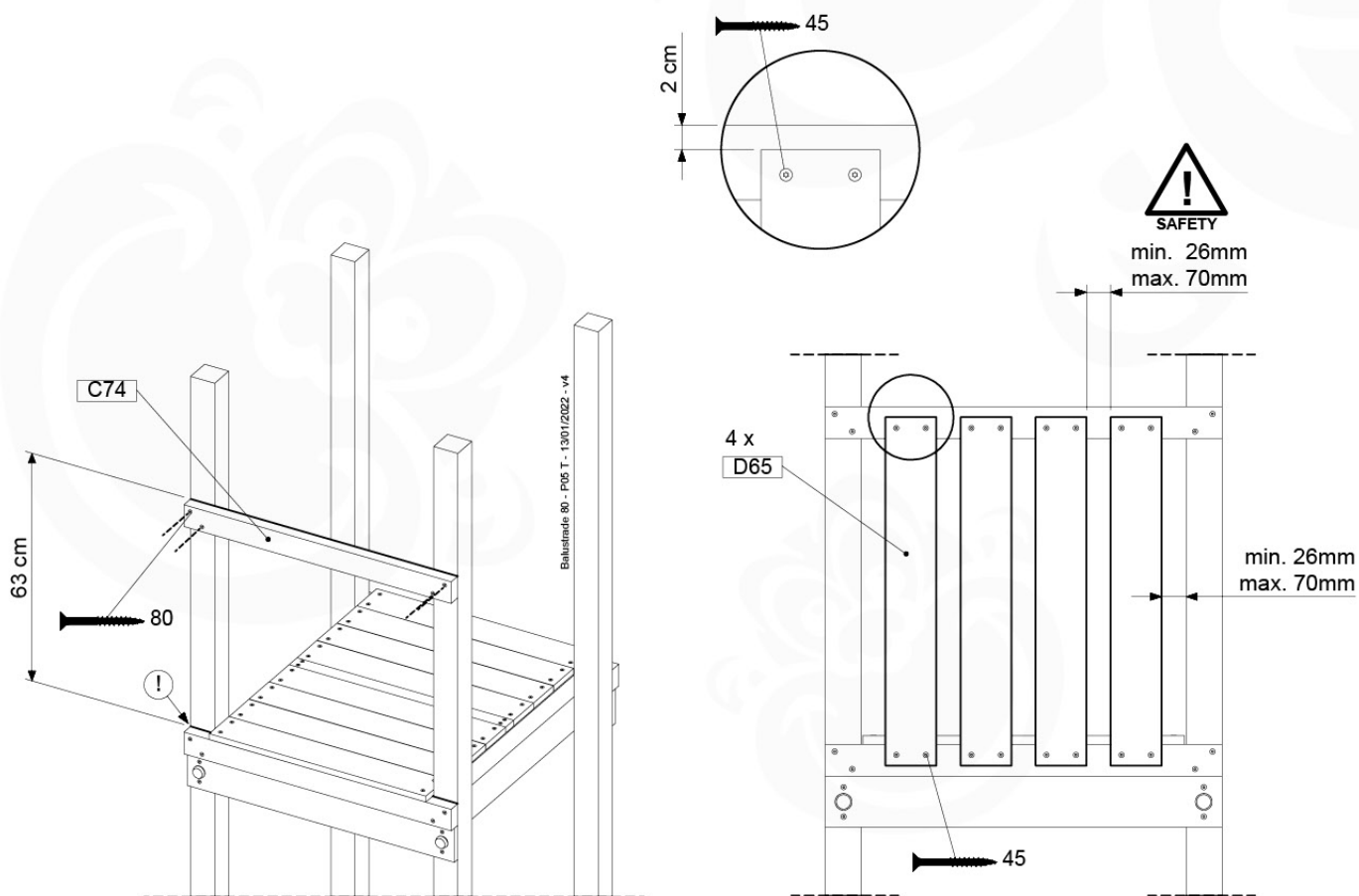
	PartNo	PartName	QTY.
Hardware Pack 100_601	002_220	Gap Point Screw T25 - 5x45	16
	002_223	Gap Point Screw T25 - 5x80	4
Timber	C74	Beam 740 mm	1
	D65	Board 650 mm	4

Balustrade 80 - P03 T - 1301/2022 - v4



08-1

© 2022 Jungle Gym B.V. - Balustrade



09 Ladder

LA09

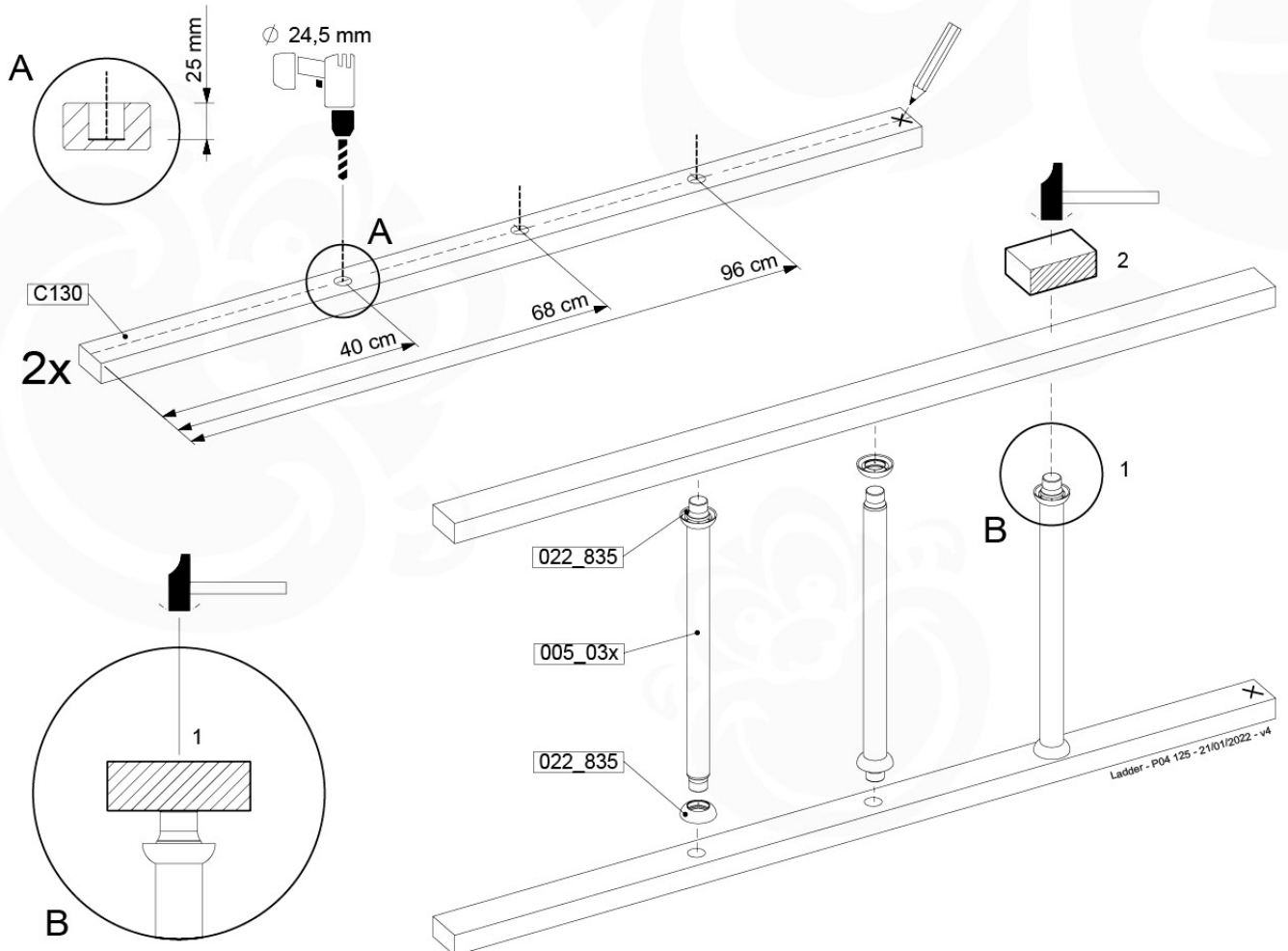
(194_103)

	PartNo	PartName	QTY.
Hardware Pack 100_603	001_404	Stealth Screw 8x30	4
	002_219	Gap Point Screw T25 - 5x30	4
	002_220	Gap Point Screw T25 - 5x45	6
	002_223	Gap Point Screw T25 - 5x80	4
Other	005_03x	Ladder Rung Y/B/G/R	3
	005_522	Connection Bracket Mini Market	2
	022_835	Rung Cap	6
	120_102	Handgrip set (2x Complete)	1
Timber	C74	Beam 740 mm	1
	C130	Beam 1300 mm	2

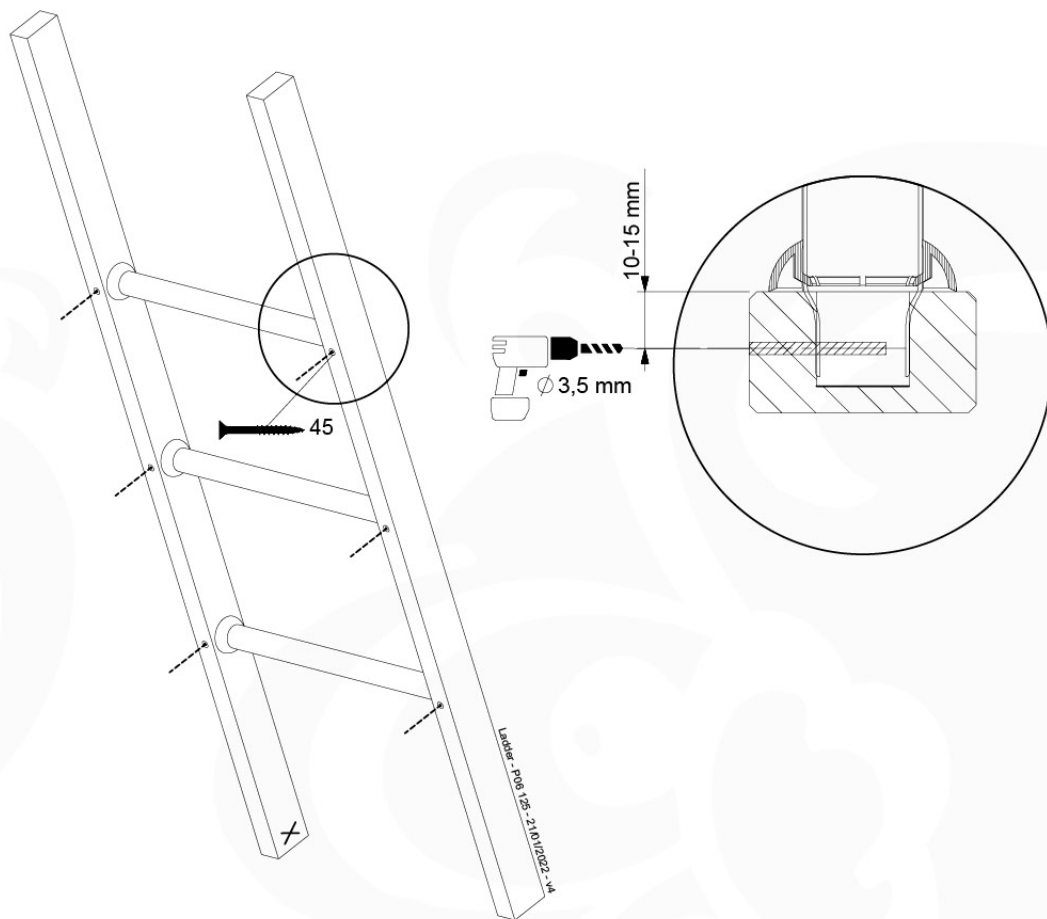
Ladder - P02 125 - 21/01/2022 - v4



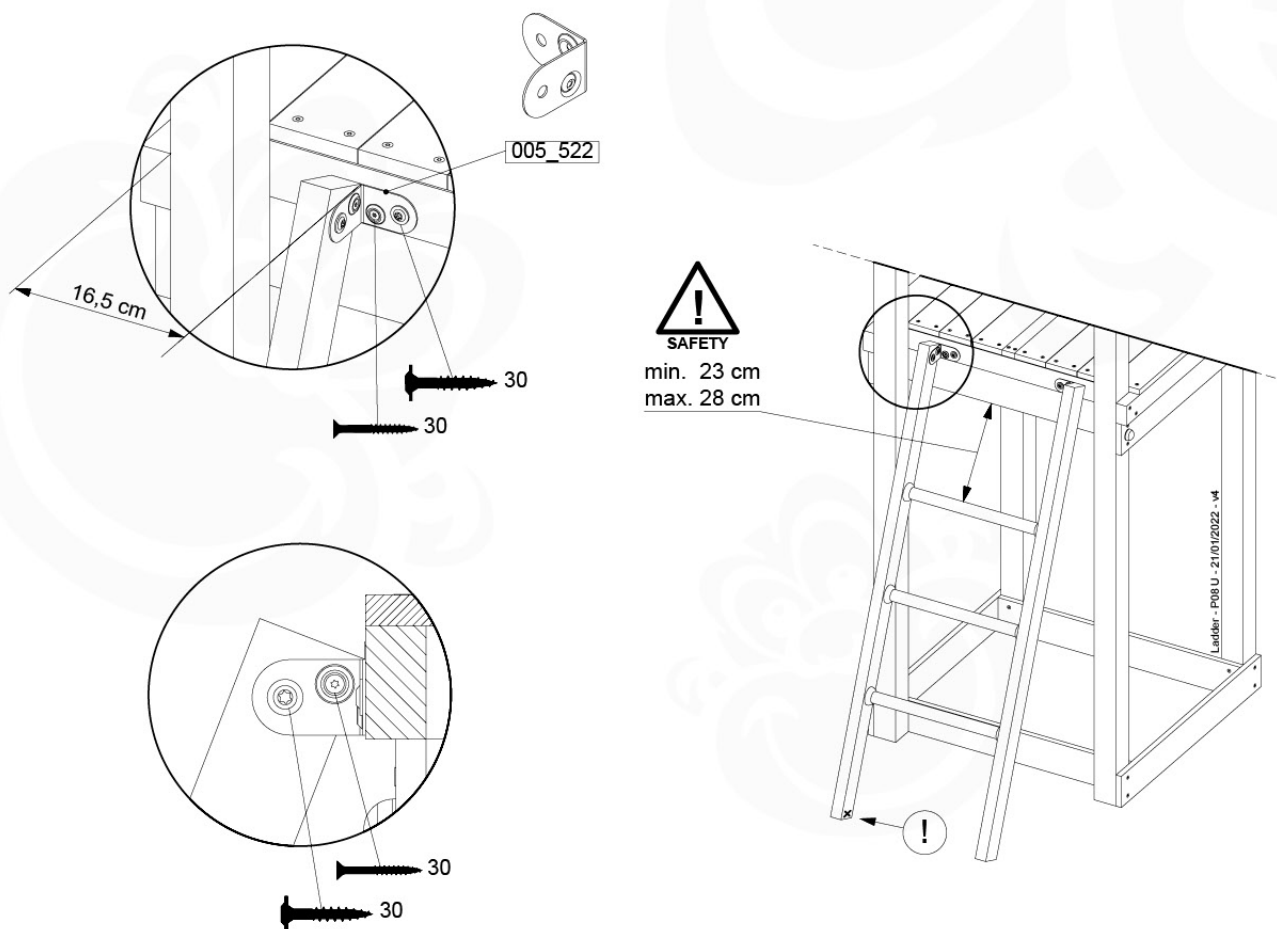
09-1



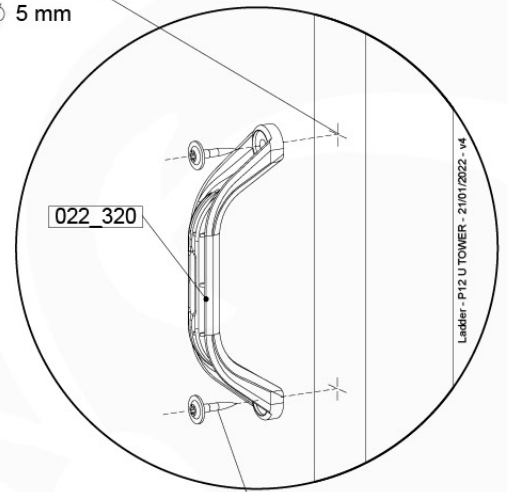
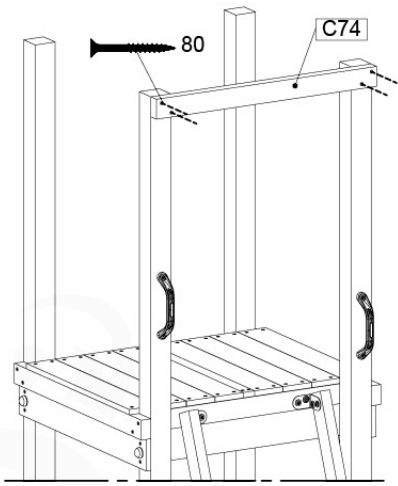
09-2



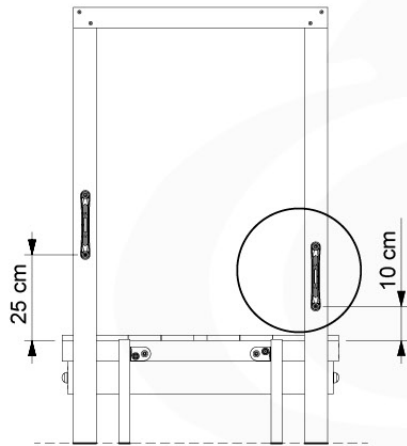
09-3



09-4



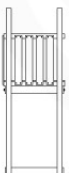
Ladder - P12 U TOWER - 21/01/2022 - v4



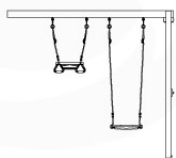
10 Swing Frame / Climb Frame



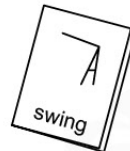
11



+



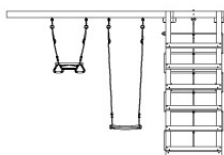
1-Swing Module / 2-Swing Module
457_101
457_102



11



+



1-Climb Module / 2-Climb Module
457_105
457_106



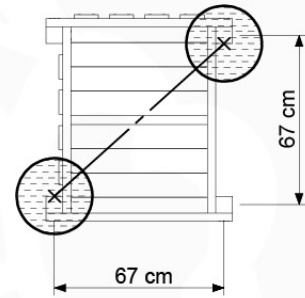
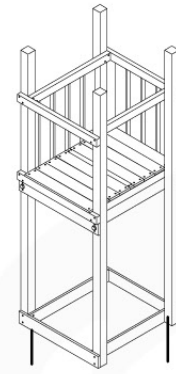
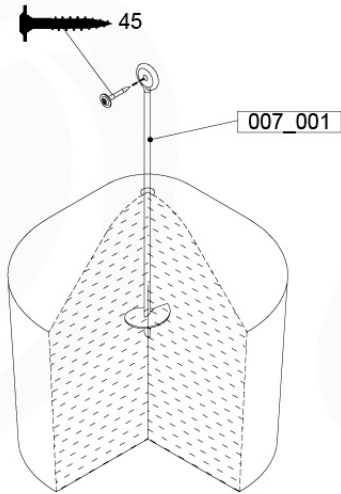
11

11 Ground Anchors

GA01

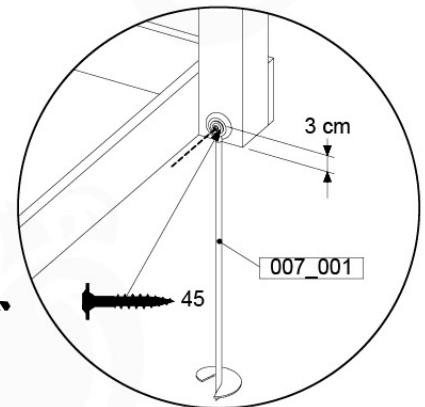
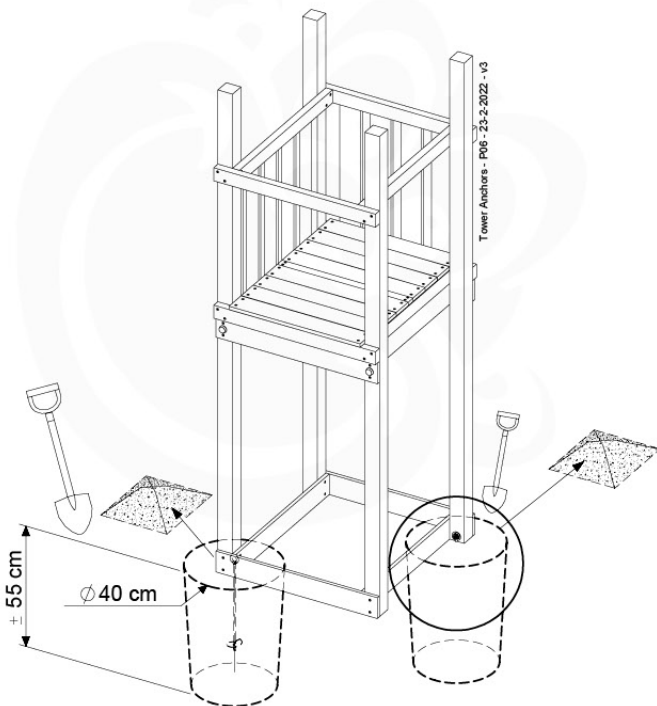
Parts:

Assembly Package Tower
194_100



Tower Anchors - P02 - 23-2-2022 - v3

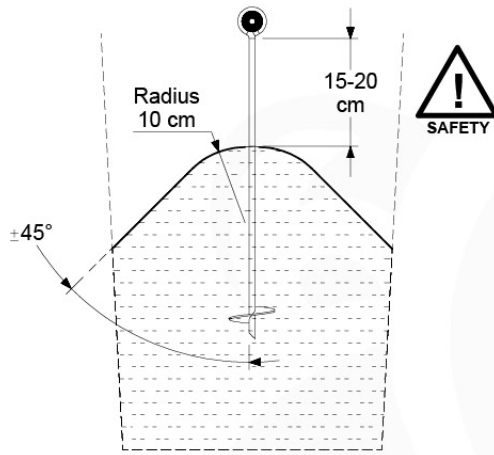
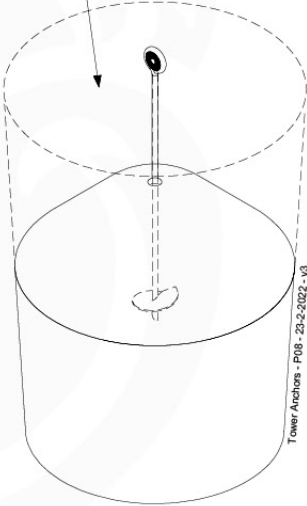
11-1



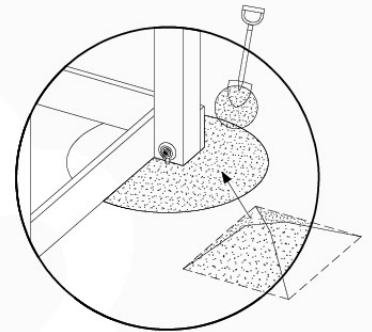
11-2



40 L / 80 kg



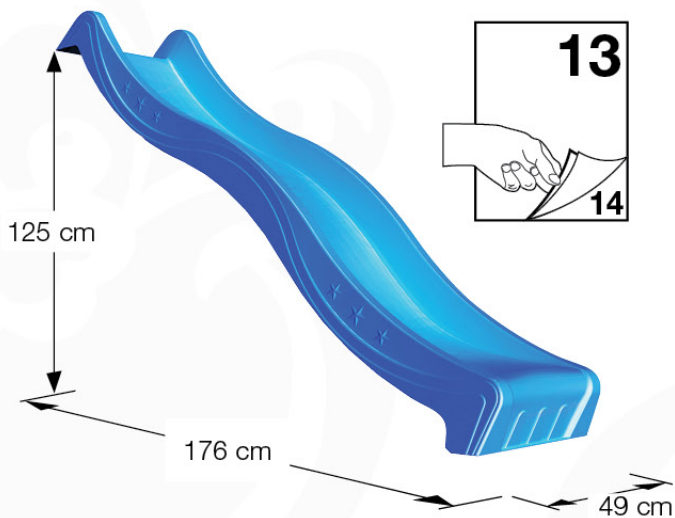
24h ↓



12 Add-on

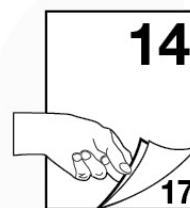
Wavy Star Slide XL

- 324_100 Yellow
- 324_200 Blue
- 324_300 Green
- 324_400 Red
- 324_500 Fuchsia
- 324_600 Dark Green



Fireman's Pole

201_275



13 Slide Set

SL05

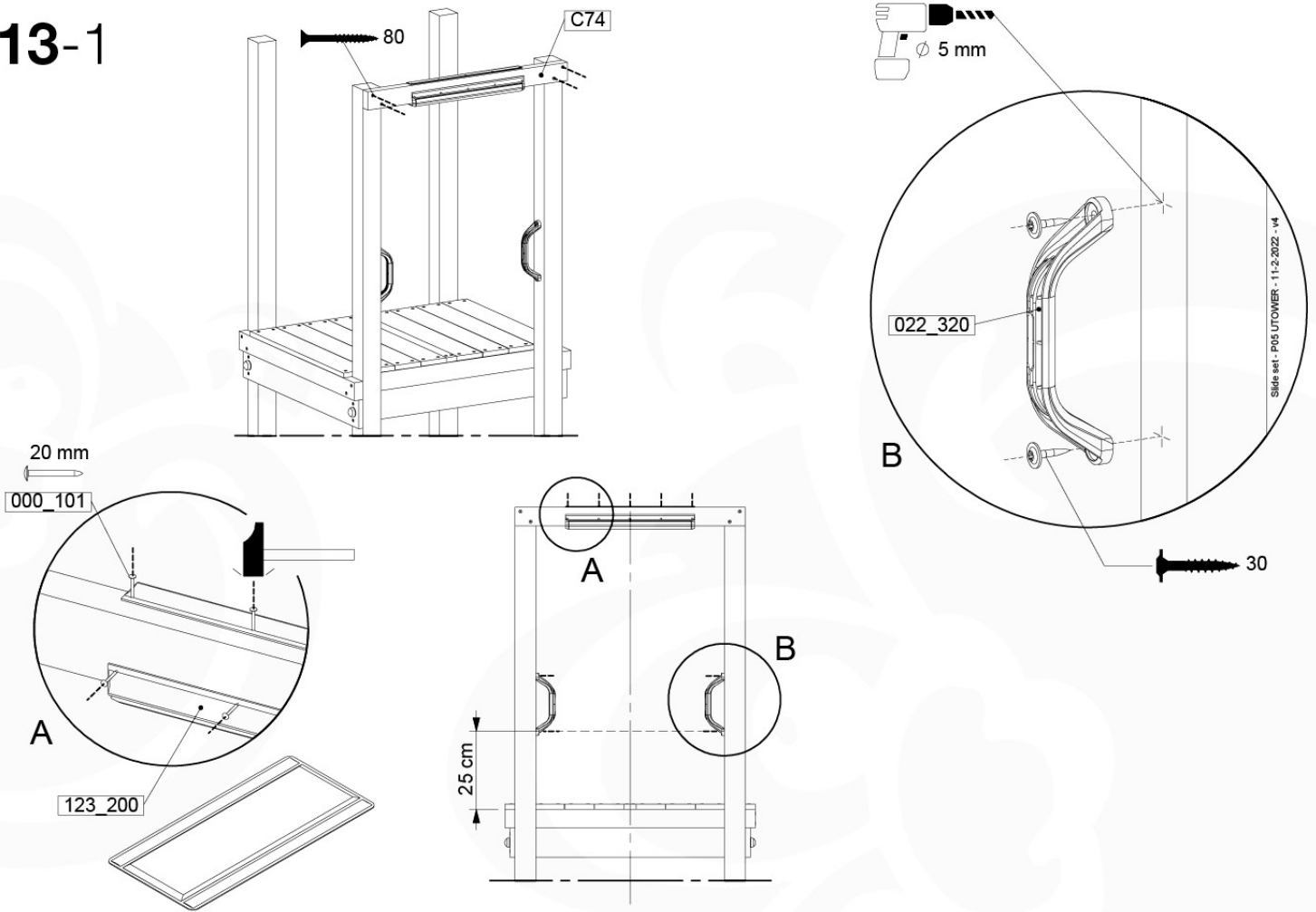
(194_107)

	PartNo	PartName	QTY.
Hardware Pack 100_605	000_101	Nail Pan Head	10
	002_223	Gap Point Screw T25 - 5x80	4
	002_308	Gap Point Screw T25 - 5x20	2
Other	120_102	Handgrip set (2x Complete)	1
	123_200	Bumperpad	1
	324_xxx 334_xxx	Wavy Star Slide XL 2200 mm / Wavy Star Slide XL 2650 mm	1
Timber	C74	Beam 740 mm	1

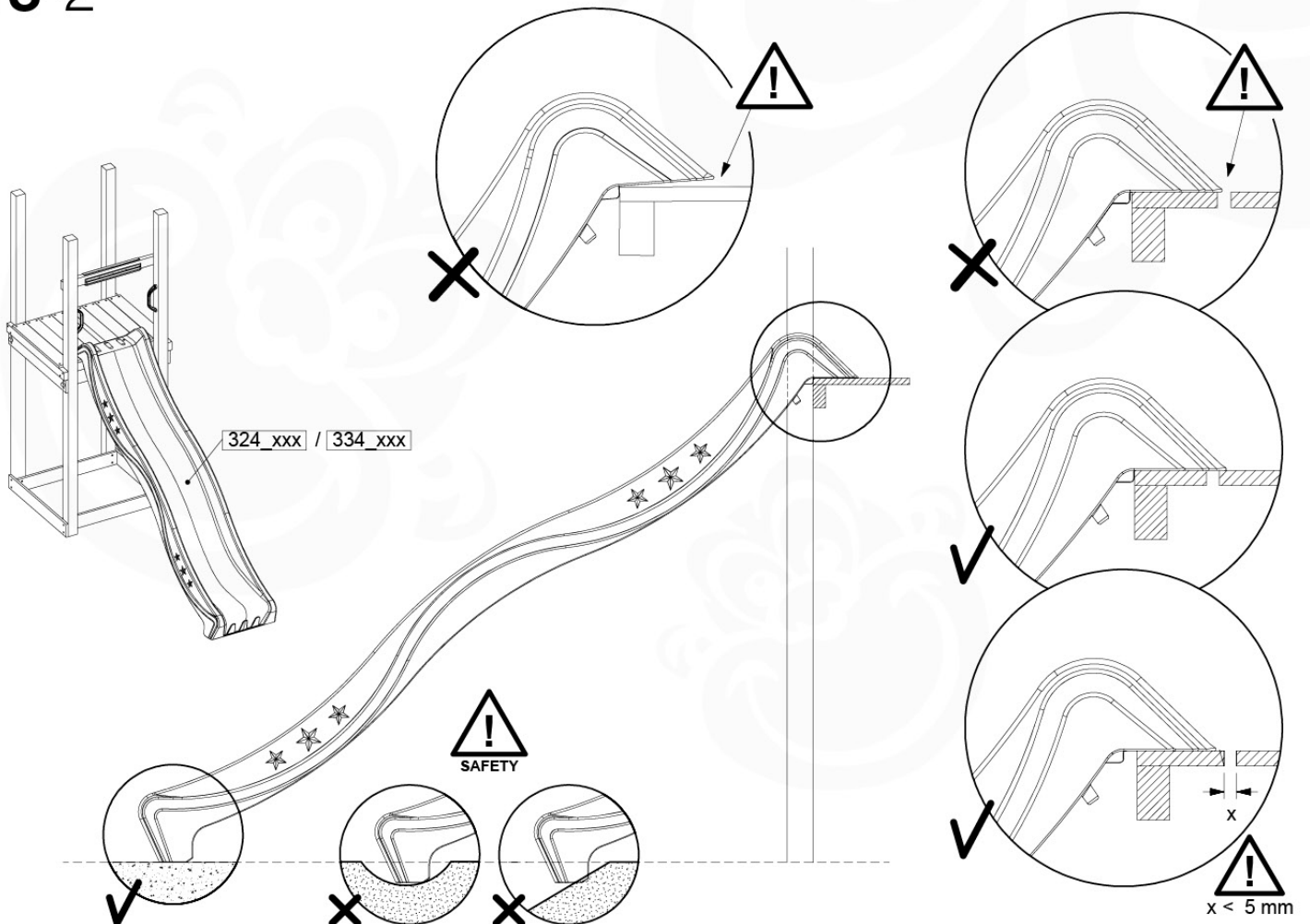
Slide set - P02 - 11-2-2022 - v4



13-1



13-2

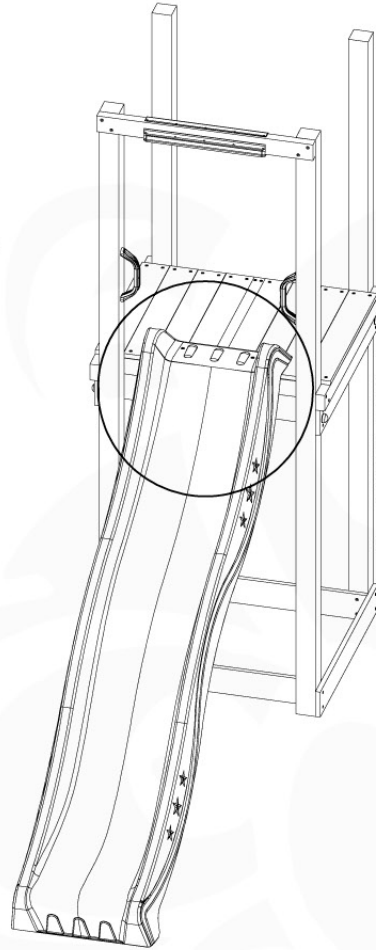
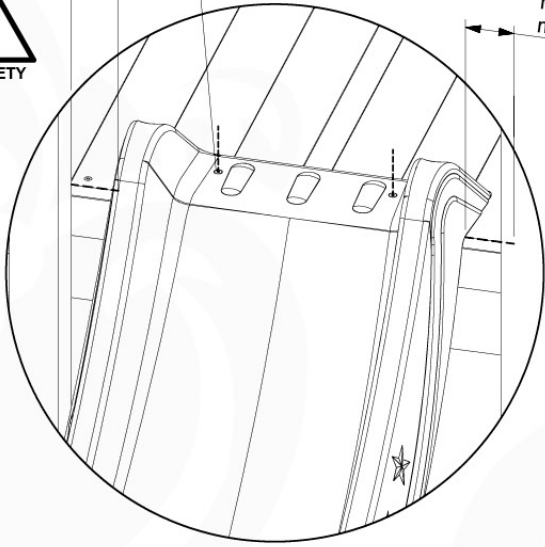


13-3

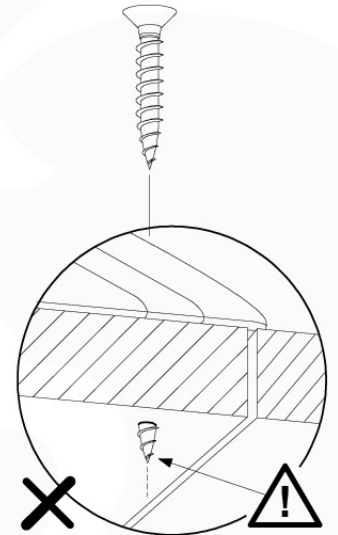
min. 26 mm
max. 75 mm

20

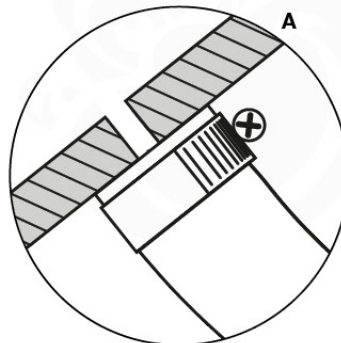
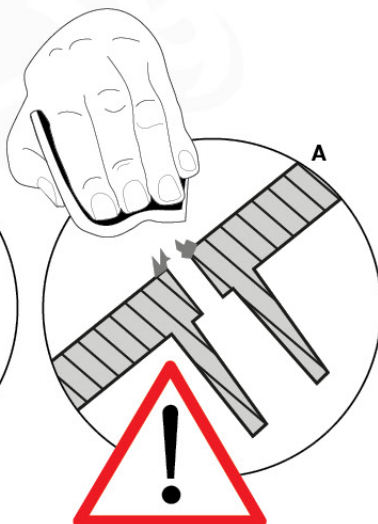
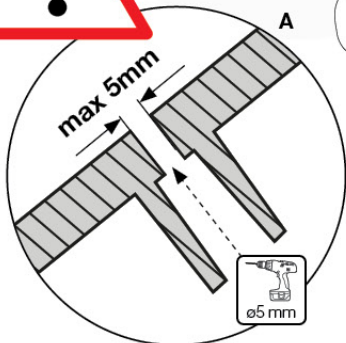
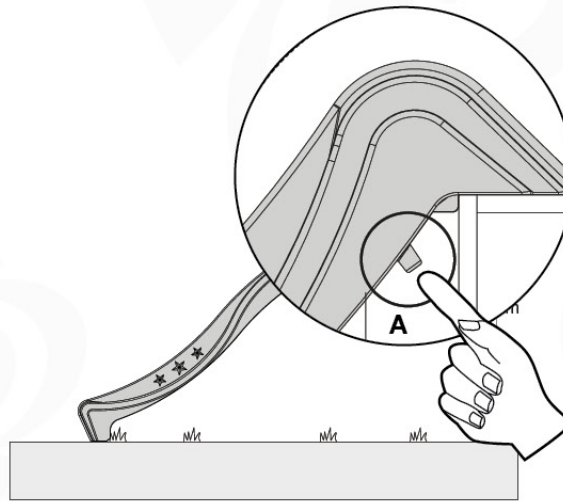
min. 26 mm
max. 75 mm



Slide set - P10 UPTOWER - 11-2-2022 - v4



13-4

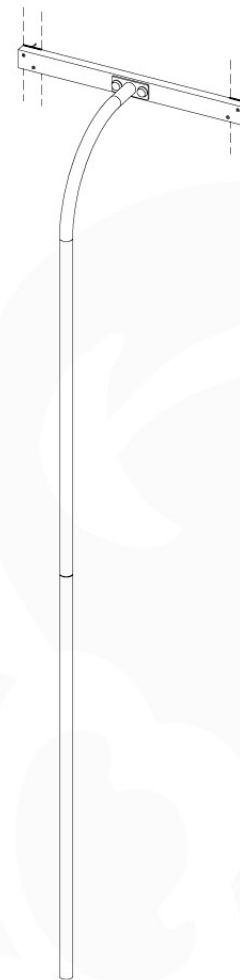


14 Firemans Pole

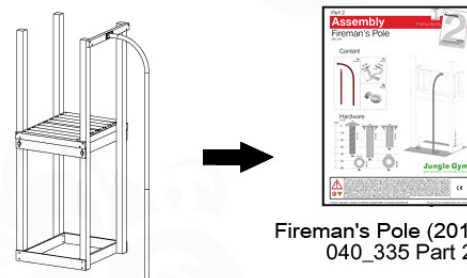
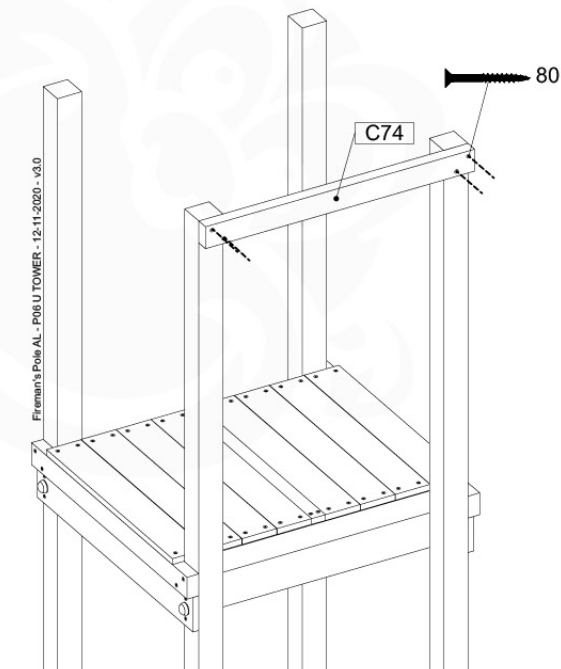
(201_275)

	PartNo	PartName	QTY.
Hardware Pack 100_346	001_103	M8 Washer Head Screw 40mm	2
	002_223	Gap Point Screw T25 - 5x80	4
	003_010	M8 spring lock washer	2
	003_040	M8 Washer	2
	004_052	M8 Drive-in Nut 30mm	2
	004_054	M8 Drive-in Nut 45mm	2
	022_31x	bpc-base version 3	2
	022_84x	bpc cover	2
Other	102_915	Fireman's Pole	1
Timber	C74	Beam 740 mm	1

Fireman's Pole AL - P03 T - 12-11-2020 - v3.0



14-1



Fireman's Pole (201_275)
040_335 Part 2

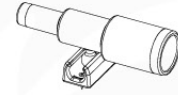
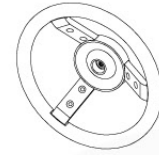
15 Accessories

AC01

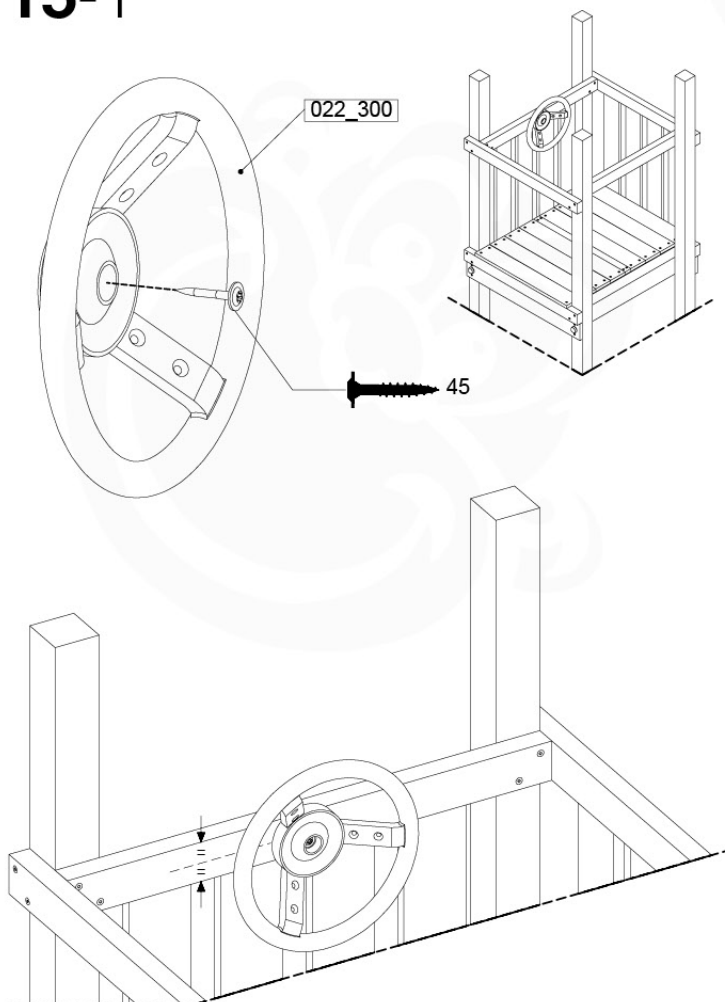
(194_119)

	PartNo	PartName	QTY.
Hardware Pack 100_617	001_406	Stealth Screw 8x45	1
	002_041	Dome head screw 4.5 x 20 mm	3
	002_042	Dome head screw 3.5 x 13mm	4
	002_219	Gap Point Screw T25 - 5x30	2
Other	022_300	Steering Wheel	1
	022_800	Rail P/T 105	1
	022_910	Sandpad	1
	103_901	Logo ID Plate	1
	104_107	Tool Set Climbing Units	1
	120_024	Tower Flag	1
	122_302	Telescope	1

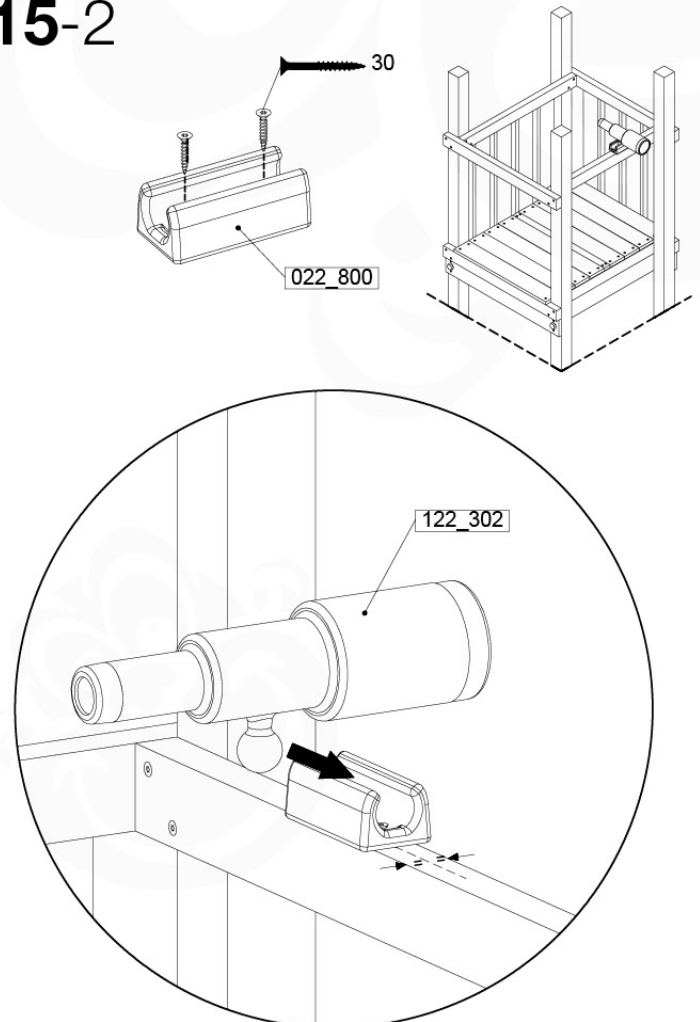
Accessory set - P02 - 29-9-2021 - 14



15-1

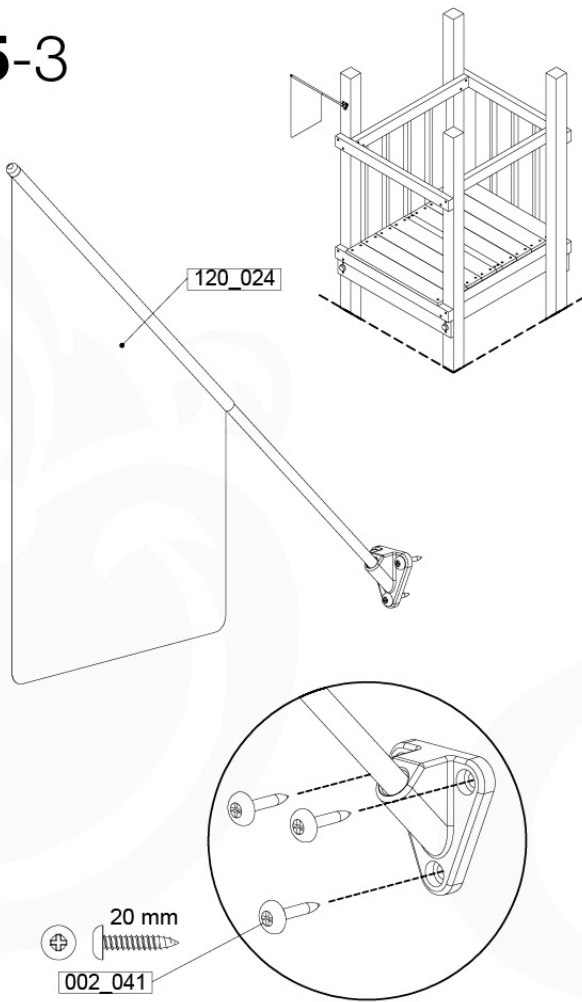


15-2

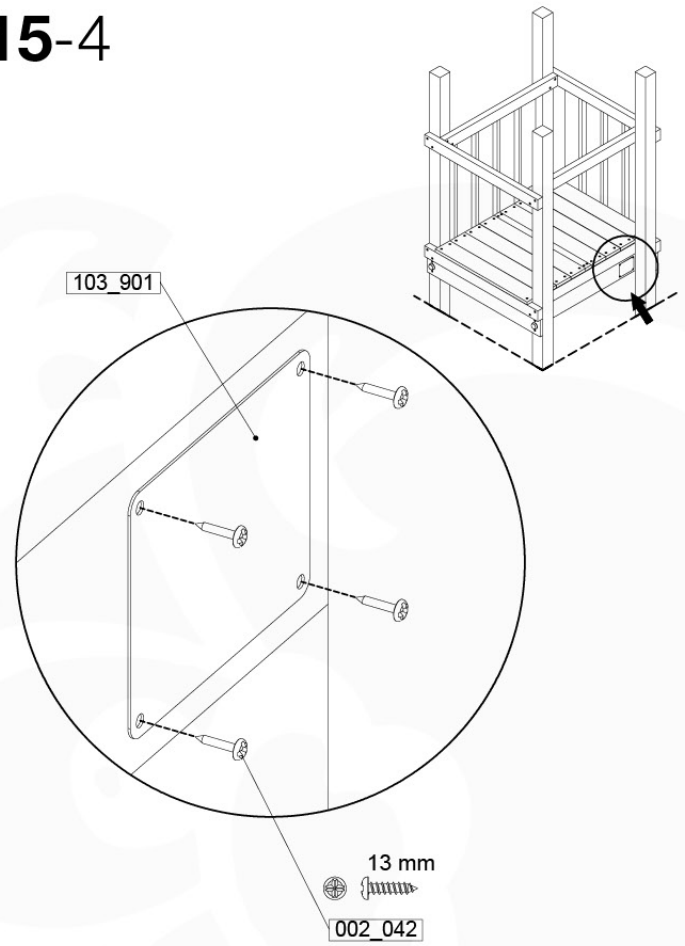


Accessory set - P03 - 29-9-2021 - 14

15-3

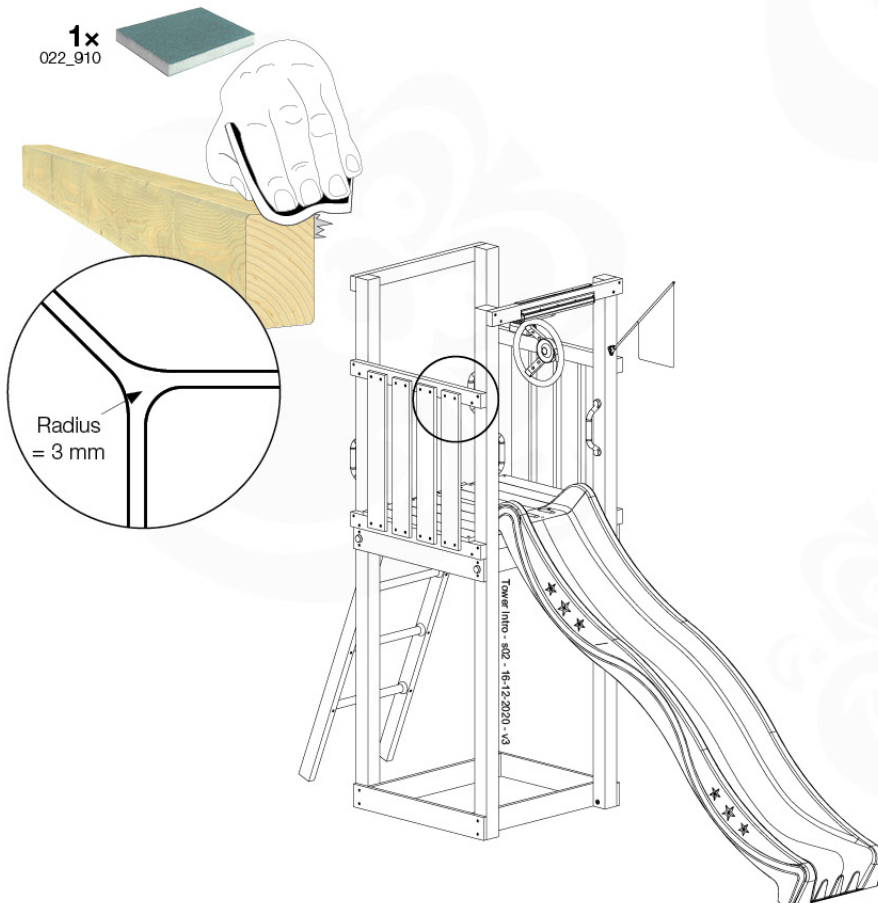


15-4



Accessories set - P04 - 29-9-2021 - v4

15-5 Safety check



16

