

Assembly instructions

Activity toy to be assembled by adults for outdoor domestic use.

Montageanleitung

Spielgerät, das von Erwachsenen zusammengebaut werden muss, für den häuslichen Außenbereich.

Instructions de montage

Jouet d'activité à assembler par des adultes pour une utilisation extérieure familial.

2

PART

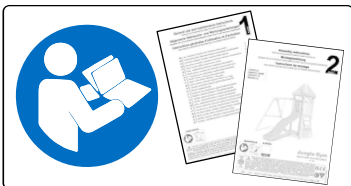
Design code: **RJQ4dc**

Product name: **Atlas 2-Climb 3.0**

Product number: **211563**



OWNER MANUAL







3D VIEW

Jungle Gym

BACKYARD PLAYGROUNDS

since 1988

<p>Assembly time</p>  <p>10.0 hours by 2 adults v2711</p>	<p> EN. Warnings. Only for domestic use. Maximum number of users is 9. DE. Achtung. Nur für den Hausgebrauch. Maximale Benutzerzahl: 9. FR. Attention. Réservé à un usage familial. Le nombre maximal d'utilisateurs est de 9. BG. Внимание. За употреба само в домашни условия. Максималният брой потребители е 9. CS. Varování. Jen pro domácí použití. Maximální počet uživatelů je 9. DA. Advarsel. Kun til privat brug. Maksimum antal brugere er 9. EL. Προειδοποίησης. Μόνο για οικιακή χρήση. Μέγιστος αριθμός χρηστών 9. ES. Advertencias. Sólo para uso doméstico. Número máximo de usuarios: 9. ET. Hoiatused. Ainult koduseks kasutamiseks. Maksimaalne kasutajate arv on 9. FI. Varoitukset. Ainoastaan kotikäyttöön. Käyttäjää yhteensä enintään 9. HR. Upozorenja. Samo za kućansku uporabu. Maksimalan broj korisnika je 9. HU. Figyelmeztetések. Csak otthoni használatra! A használók max. száma: 9. IS. Varnaðarorð. Eingöngu fyrir einkanotkun í heimahúsum og á einkalöum. Hámarksfjöldi notenda er 9. IT. Avvertenze. Solo per uso domestico. Massimo numero di utenti è 9. LT. Įspėjimai. Tik buitiniam naudojimui. Maksimalus naudotojų skaičius 9. LV. Brīdinājumi. Izmantot tikai mājās. Maksimālais lietotāju skaits ir 9. NL. Waarschuwingen. Uitsluitend voor huishoudelijk gebruik. Het maximale aantal gebruikers is 9. NO. Advarsel. Kun for privat bruk. Maksimalt antall brukere er 9. PL. Ostrzeżenia. Wyłącznie do użytku domowego. Maksymalna liczba użytkowników to 9. PT. Avisos. Apenas para uso doméstico. O número máximo de utilizadores é 9. RO. Avertismente. Numai pentru uz domestic. Numărul maxim de utilizatori este 9. SK. Upozornenia. Iba na domáce použitie. Maximálne množstvo osôb je 9. SL. Opozorila. Samo za domačo uporabo. Maksimalno število uporabnikov je 9. SV. Varningar. Endast för hemmabruk. Det maximala antalet användare är 9.</p>	<p>UK CA CE</p>  
------------------------------------------------------------------------------------------------------------------------------------------------------------	-----------------------------------------------------------------------------------------------------------------------------------------------------------------------------------------------------------------------------------------------------------------------------------------------------------------------------------------------------------------------------------------------------------------------------------------------------------------------------------------------------------------------------------------------------------------------------------------------------------------------------------------------------------------------------------------------------------------------------------------------------------------------------------------------------------------------------------------------------------------------------------------------------------------------------------------------------------------------------------------------------------------------------------------------------------------------------------------------------------------------------------------------------------------------------------------------------------------------------------------------------------------------------------------------------------------------------------------------------------------------------------------------------------------------------------------------------------------------------------------------------------------------------------------------------------------------------------------------------------------------------------------------------------------------------------------------------------------------------------------------------------------------------------------------------------------------------------------------------------------------------------------------------------------------------------------------------------------------------------------------------------------------------------------------------------------------------------------------------------------------------------------------------------------------	------------------------------------------------------------------------------------------------------------------------------------------------------------------------------------------------------------------



Preparatory work Vorbereitende Arbeiten Travaux préparatoires

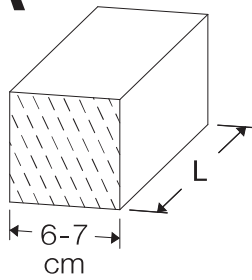


Overview of the total delivery scope
Übersicht über den gesamten Lieferumfang
Aperçu de l'ensemble de la portée de livraison

#	Description	Supplier ID	Sub-assembly ID
1	Base Tower 80_220220_125	790_003	BT03a
1	Base Tower 115_240240_125	792_002	BT11a
1	Extension Tower 80_200_125	790_101	ET01a
1	Extension Tower 11580_220_145 down	792_105	ET11a
1	Roof Timber Gable 115	792_202	RF08a
1	Roof Timber Gable 80	790_201	RF21a
4	Balustrade 80_U	790_301	BL01a
1	Balustrade 115_T	792_301	BL04a
1	Playhouse 80 T Window	790_313	PH06a
1	Ladder 115_145 T L x Balustrade	792_432	LA17a
1	Ramp 80 U	790_441	RA03a
1	Picnic 115 T	792_503	PC06a
1	Tunnel Bridge 80 T level	790_631	TB02a
1	Bridge Frame 115 T R Crawl	792_603	BF08a
1	Slide Frame 115_125 U L x Balustrade	792_901	SL06a
1	Fireman's pole 80 T	790_903	FP02a
1	2- Climb Module 200 3.0	757_112	CL06a
1	Accessories Set	194_119	AC01a
2	Accessories Sling Swing	250_001	AC23a
1	Wavy Star Slide XL	324_x00a	324_x00a

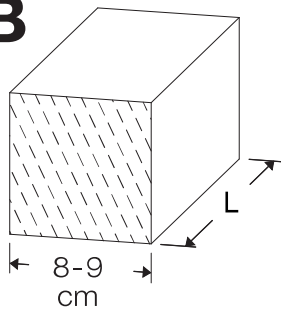
Identifying and inventorying of the individual timber parts
Identifizierung und inventarisieren der der einzelnen Holzteile
Identification et inventorier les pièces en bois individuels

A



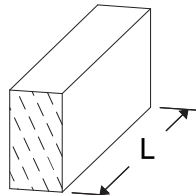
ID	L	#
A200	199 cm - 200 cm	2
A220	219 cm - 220 cm	10
A240	239 cm - 240 cm	4

B



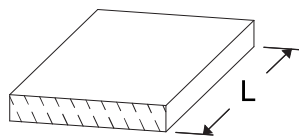
B74	73 cm - 74 cm	1
B220	219 cm - 220 cm	1

C



C37	36 cm - 37 cm	7
C56	55 cm - 56 cm	2
C62	61 cm - 62 cm	2
C70	69 cm - 70 cm	3
C74	73 cm - 74 cm	29
C84	83 cm - 84 cm	3
C90	89 cm - 90 cm	2
C96	85 cm - 96 cm	2
C114	113 cm - 114 cm	10
C141	140 cm - 141 cm	8
C150	149 cm - 150 cm	2
C154	153 cm - 154 cm	2

D



D47	46 cm - 47 cm	1
D60	59 cm - 60 cm	51
D65	64 cm - 65 cm	29
D74	73 cm - 74 cm	47
D100	99 cm - 100 cm	29
D114	113 cm - 114 cm	23
D127	126 cm - 127 cm	24
D141	140 cm - 141 cm	5

Identification, inventorying, and registering of the individual accessories and parts
Identifizierung, inventarisieren und registrieren von der einzelnen Zubehör und Teilen
Identification, inventorier et enregistrer les accessoires et pièces individuels



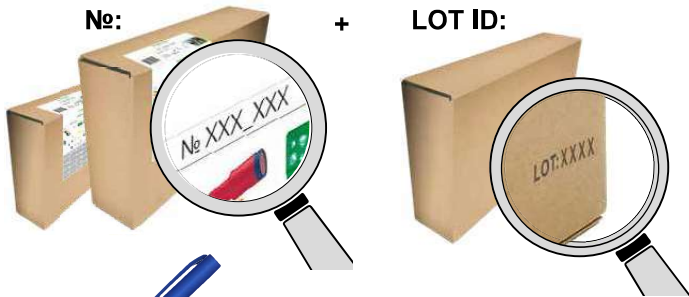
No:

1.

2.

3.

Identification, inventorying, and registering of the individual assembly kits
Identifizierung, inventarisieren und registrieren der der einzelnen Bausätze
Identification, inventorier et enregistrer les kits de construction individuels



Example

No:

LOT ID:

No:

LOT ID:

1.

2.

3.

4.

5.

No:

LOT ID:

6.

7.

8.

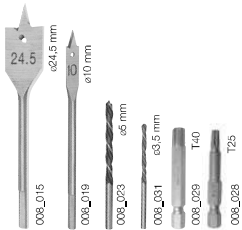
9.

10.

Overview of the contents of the standard included start package
Übersicht über den Inhalt des standardmäßig enthaltenen Startpakets
Aperçu du contenu du pack de démarrage inclus standard



Overview of the bit and drill bit references
Übersicht über die Bit- und Bohrer-Referenzen
Aperçu des références des embouts et des forêts



Overview of all hardware and part references for identification
Übersicht über alle Hardware- und Teile-Referenzen zur Identifizierung
Aperçu de toutes les références de matériel et de pièces pour identification

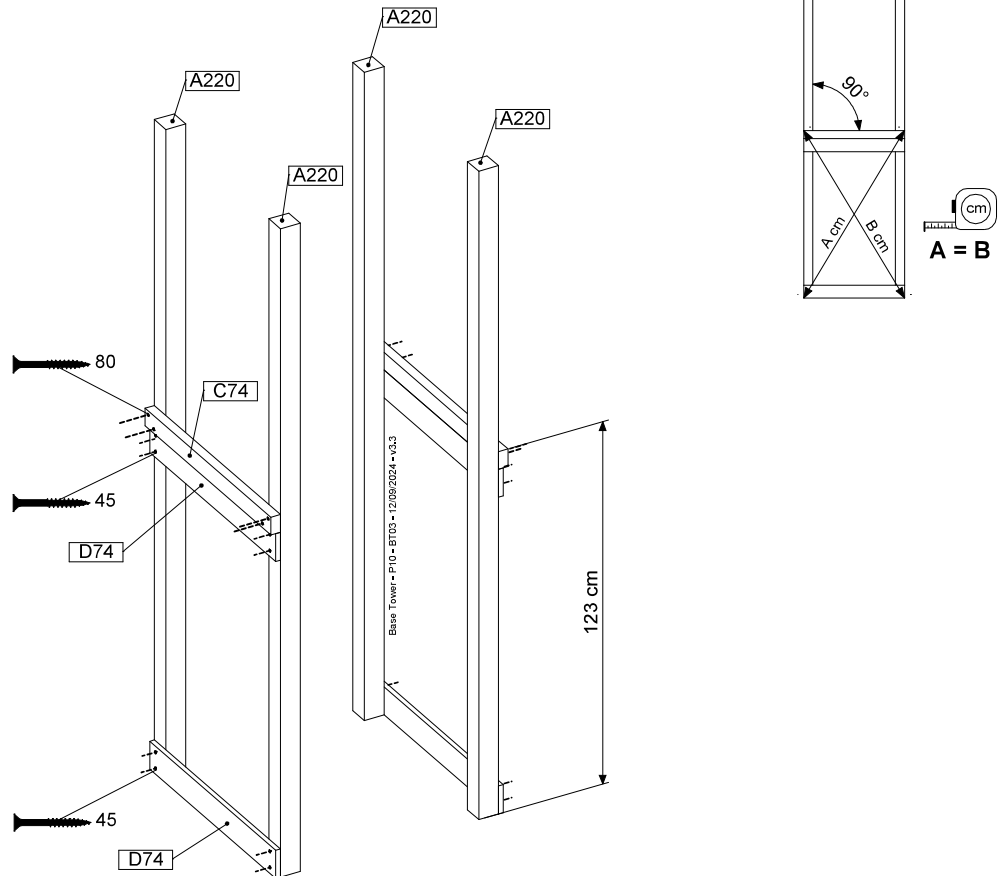
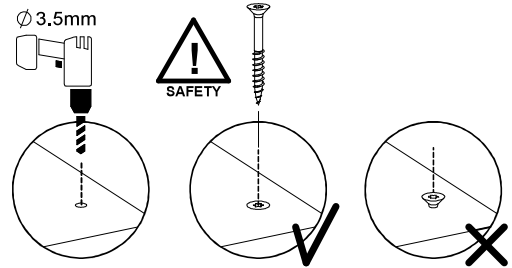
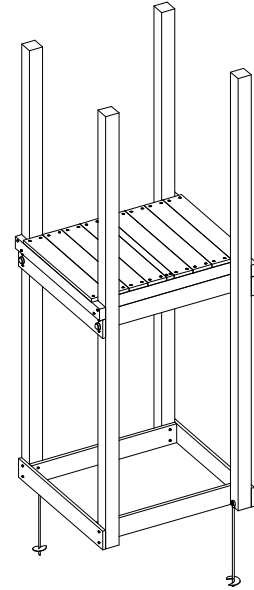
		#	L			#	L
 ø 5 T-40	 8.8	 ø 8.0 mm L	001_404	30 mm	 ø 5.0 mm L	002_308	20 mm
			001_406	45 mm		002_219	30 mm
			001_411	60 mm		002_220	45 mm
			001_417	80 mm		002_223	80 mm
			001_422	137 mm			
 ø 10 T-40	 8.8	 M8 L	001_102	30 mm	 ø 10 L	004_050	22mm
 ø 3.5 T-25	 8.8	 ø 2.0 mm L	000_101	20 mm	 M8	003_010	
 ø 3.5 PH-2	 8.8	 ø 6.3 mm L	002_036	16 mm	 M6	003_034	
 ø 3.5 PH-2	 8.8	 ø 4.5 mm L	002_041	20 mm	 M6	022_845	Yellow
 ø 3.5 PH-2	 8.8	 ø 4.5 mm L	002_042	13 mm	 M6	022_847	Green
 ø 3.5 PH-2	 8.8	 ø 3.5 mm L	002_042	13 mm	 M6	023_031	White
 ø 3.9 mm PH-2	 8.8	 ø 3.9 mm L	002_301	40 mm	 M6	120_005	White
					 022_844	 022_314	

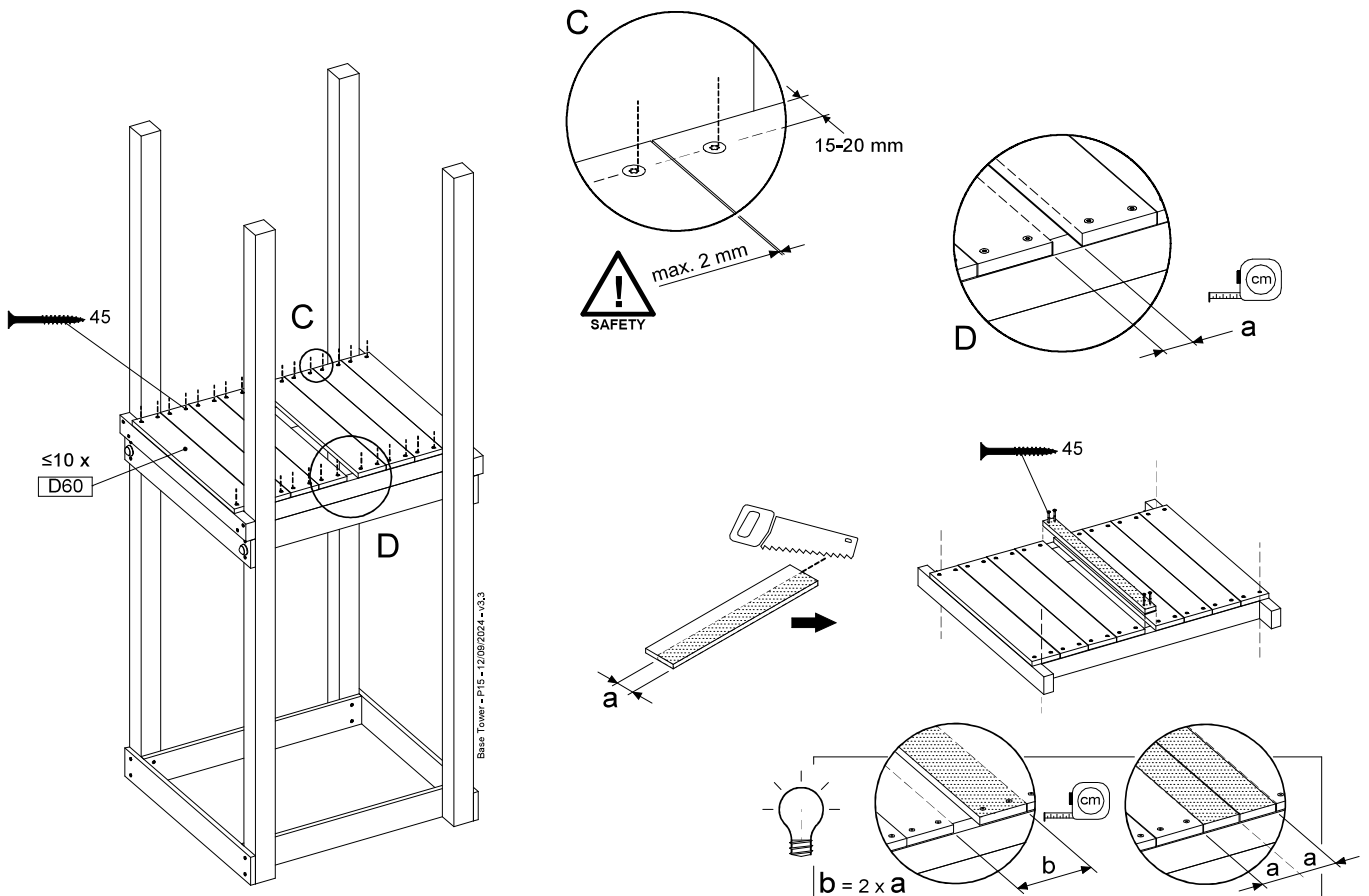
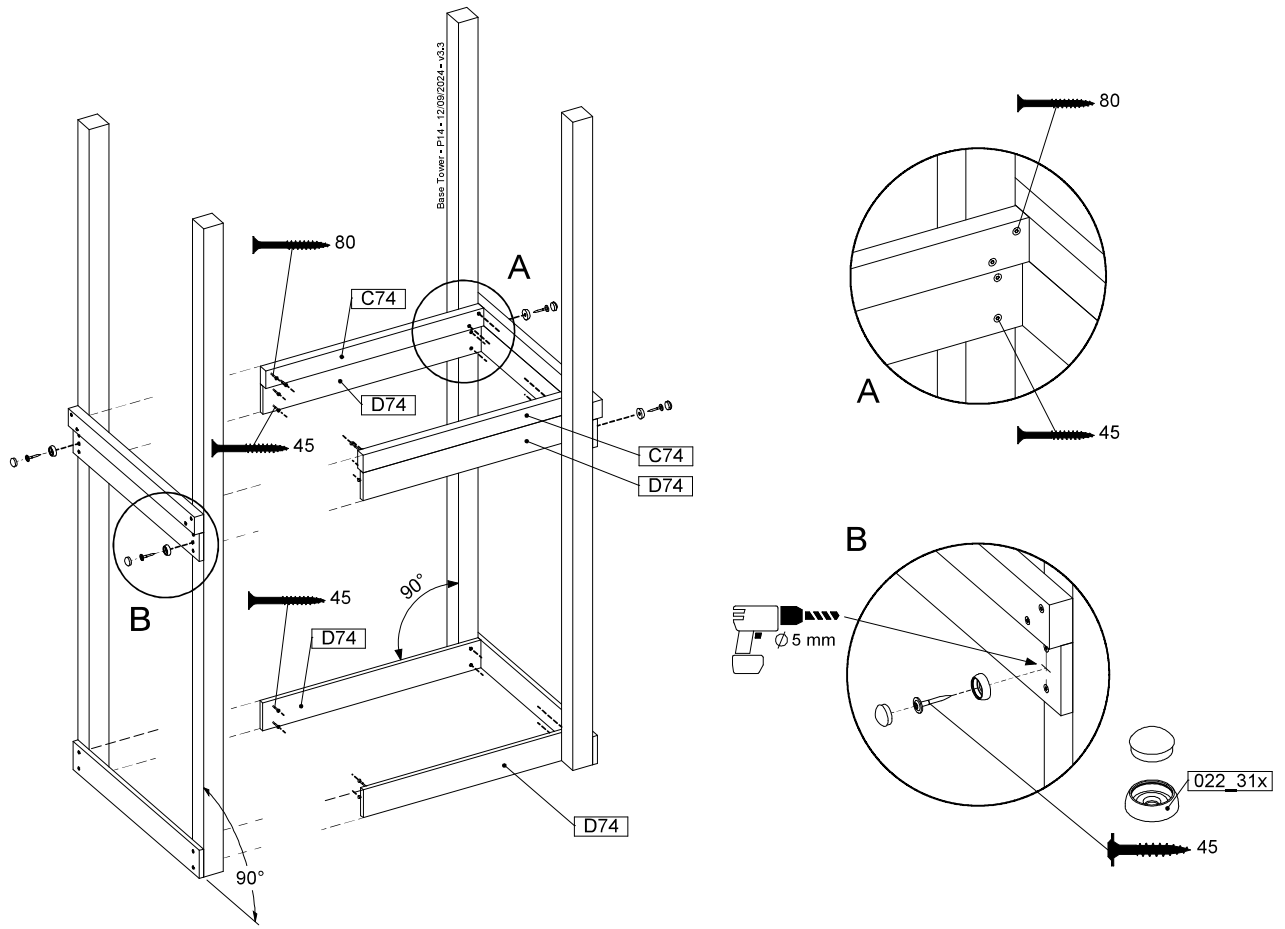
1 BT03a: Base Tower 80 125cm 220220

Assembly Pack: 194_100

	PartNo	PartName	QTY.
Hardware + Parts	001_406	Stealth Screw 8x45	6
	002_220	Gap Point Screw T25 - 5x45	72
	002_223	Gap Point Screw T25 - 5x80	16
	007_001	Ground-anchor	2
	022_31x	bpc-base version 3	4
	022_84x	bpc cover	4
Timber	A220	Post ca.70x70 L2200	4
	C74	Beam 740 mm	4
	D60	Board 600 mm	10
	D74	Board 740 mm	8

Base Tower - P10 - BT03 - 12092024 - v3.3



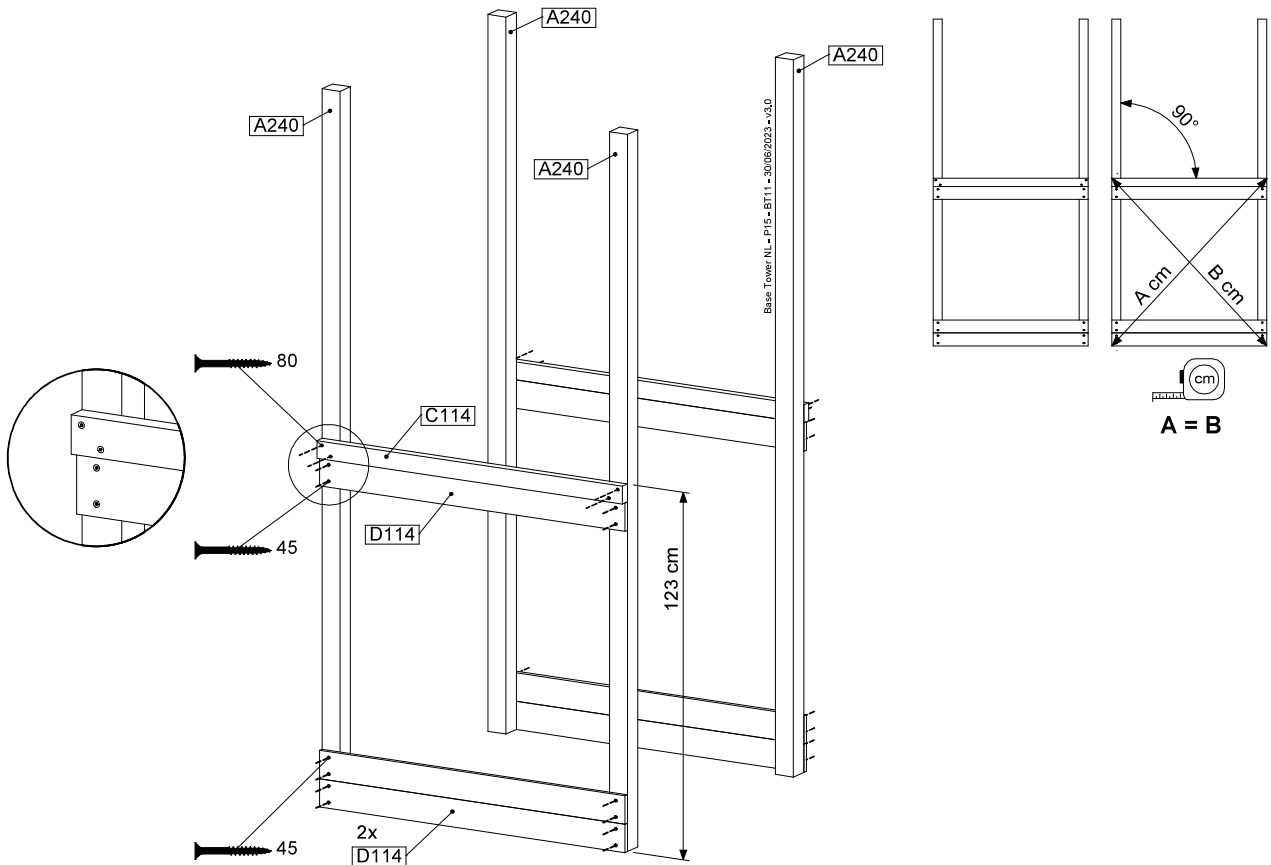
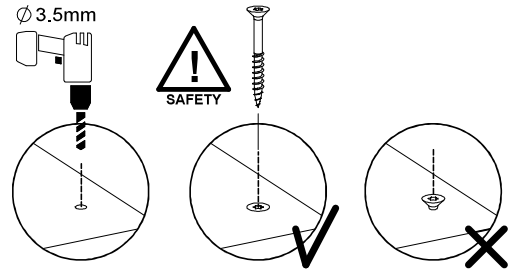
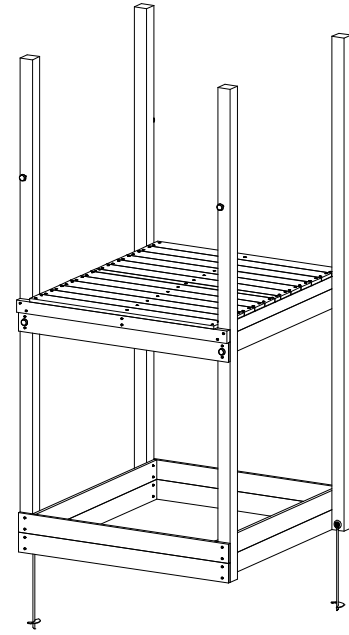


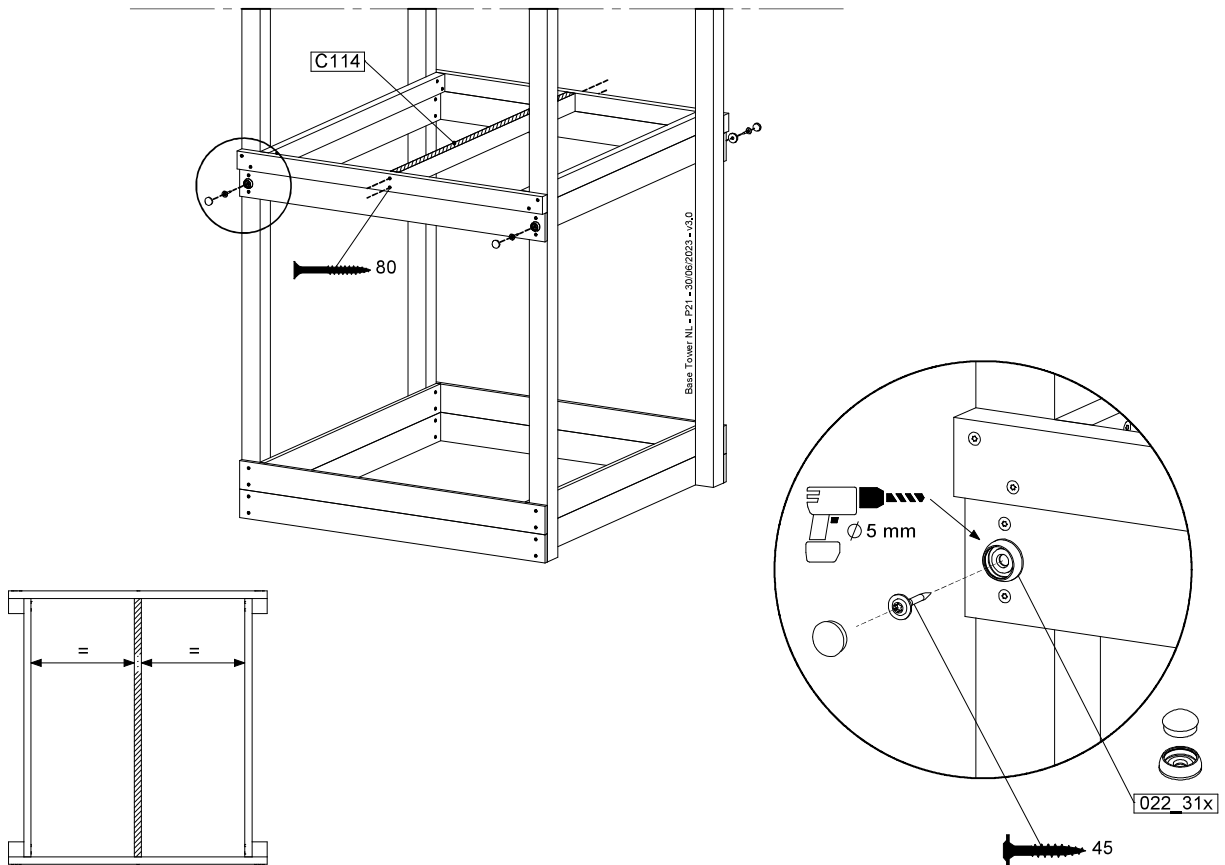
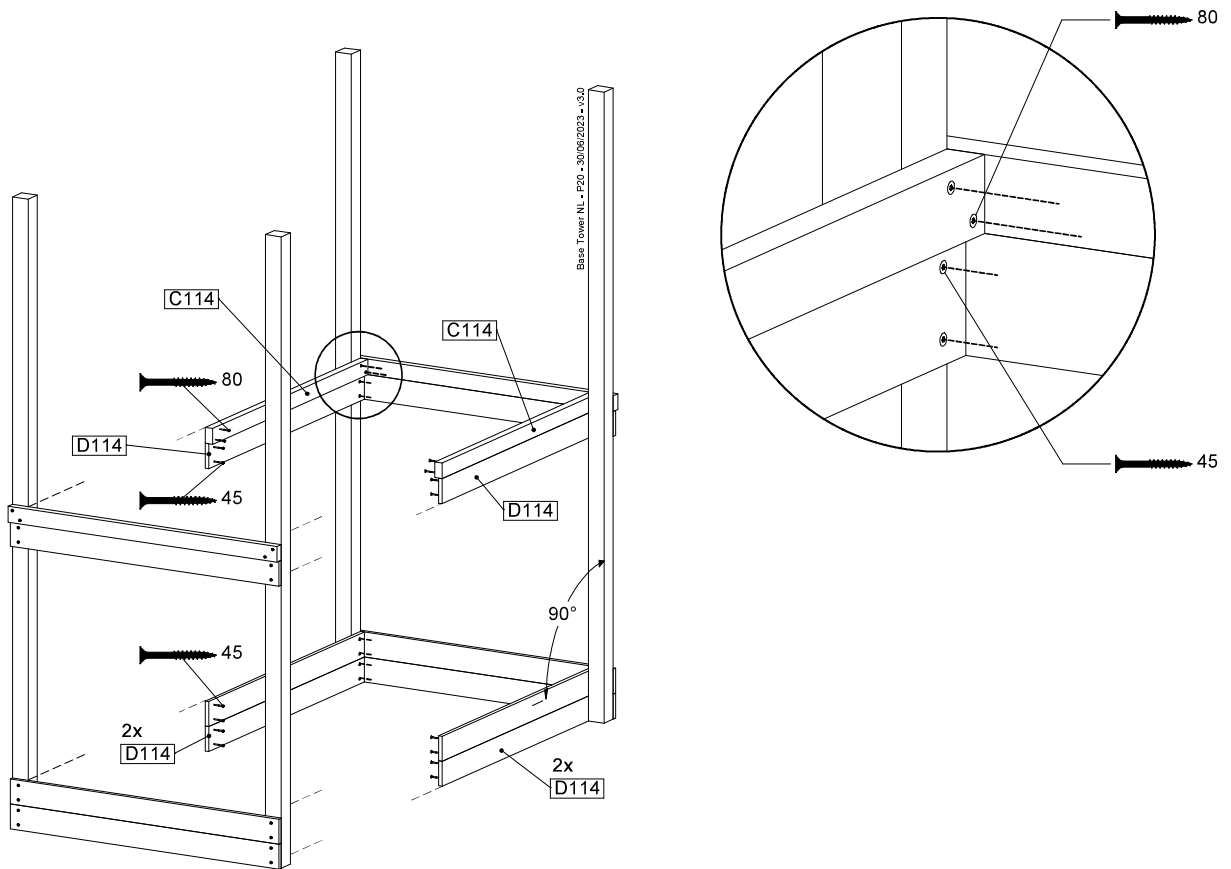
2 BT11a: Base Tower 115 125cm 240240

(194_300)

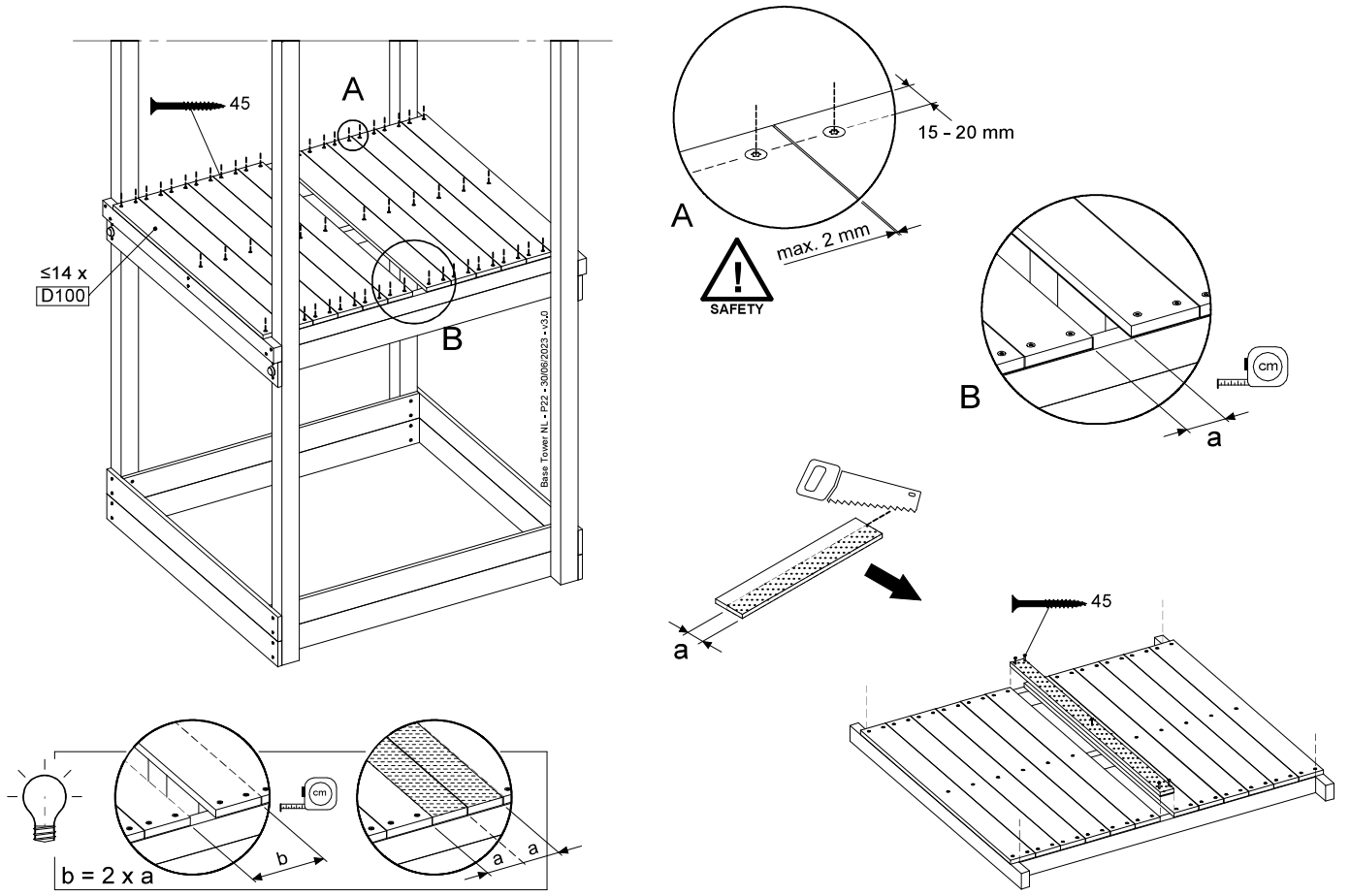
	PartNo	PartName	QTY.
Hardware pack	001_406	Stealth Screw 8x45	6
	001_417	Stealth Screw 8x80	4
	002_220	Gap Point Screw T25 - 5x45	118
	002_223	Gap Point Screw T25 - 5x80	20
	022_31x	bpc-base version 3	8
	022_84x	bpc cover	8
Other	007_001	Ground-anchor	2
Timber	A240	Post 70x70 L2400	4
	C114	Beam 1140 mm	5
	D100	Board 1000 mm	14
	D114	Board 1140 mm	12

Base Tower NL = P15 = BT11 - 30062023 - v3.0





2.2

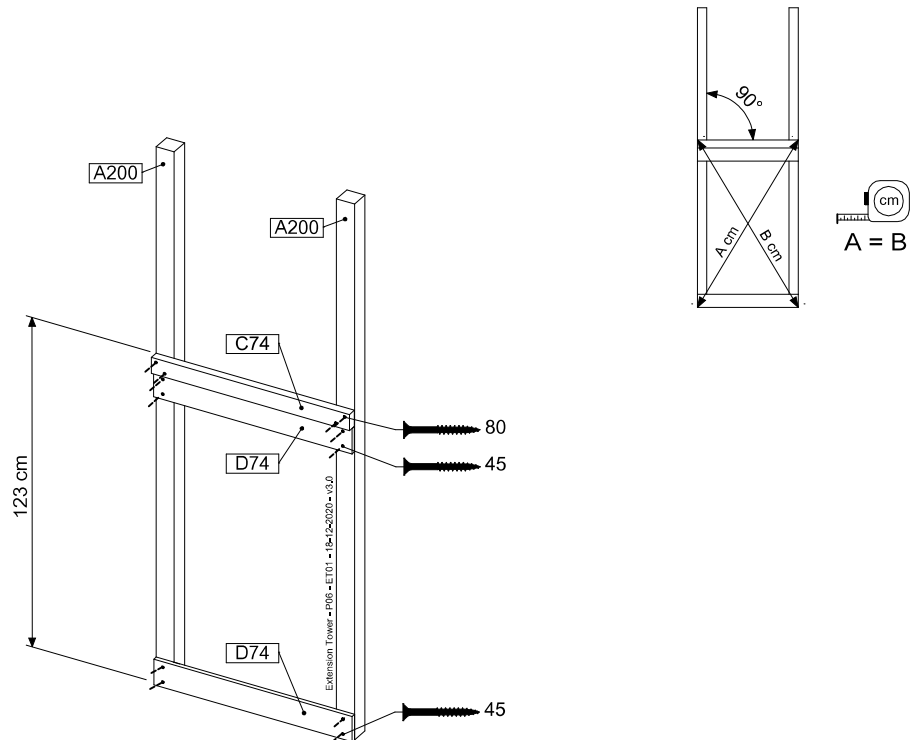
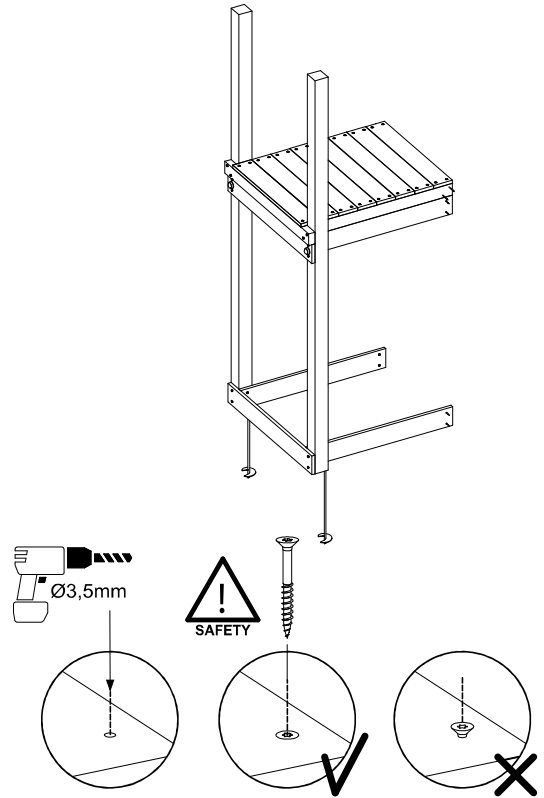


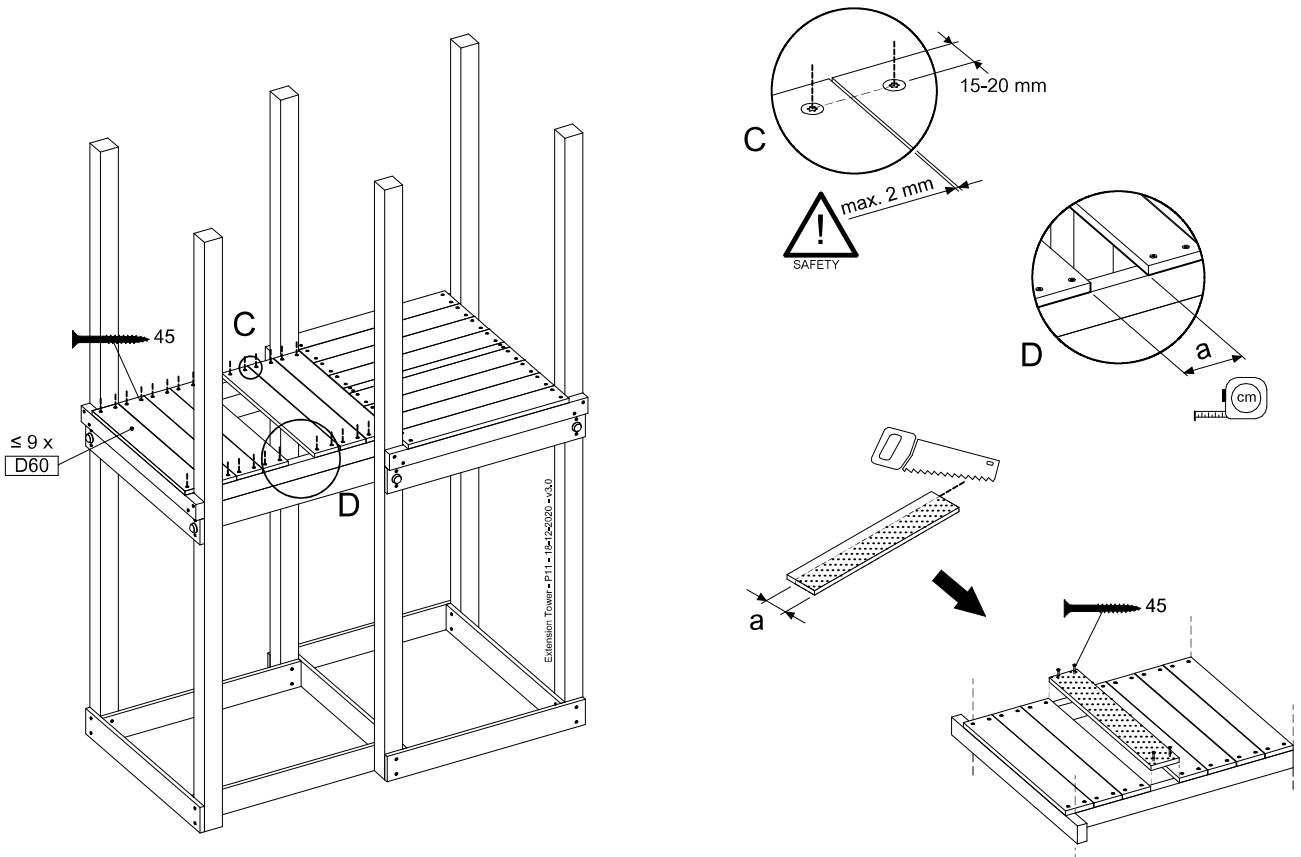
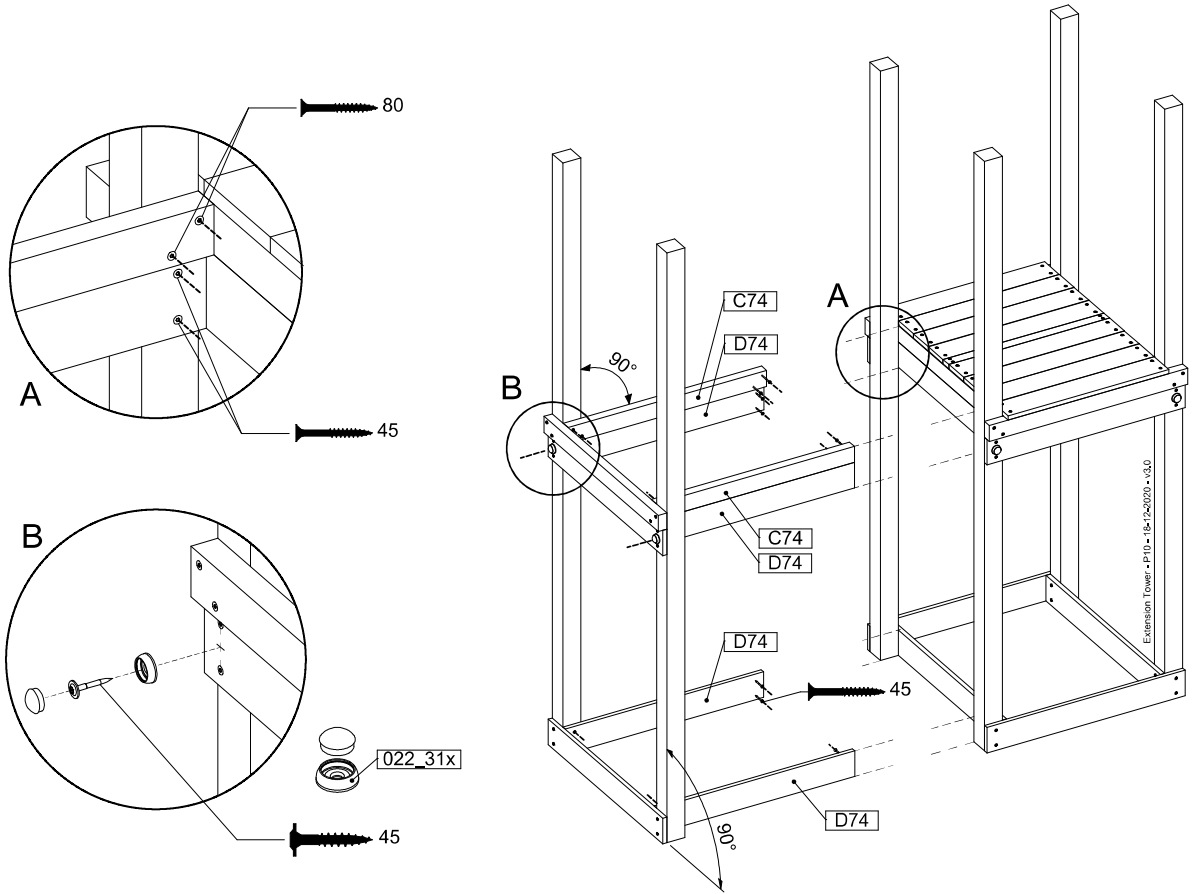
3 ET01a: Extension Tower 80 200/125

(194_100)

	PartNo	PartName	QTY.
Hardware Pack 100_600	001_406	Stealth Screw 8x45	4
	002_220	Gap Point Screw T25 - 5x45	60
	002_223	Gap Point Screw T25 - 5x80	12
Other	007_001	Ground-anchor	2
Hardware Pack 100_600	022_31x	bpc-base version 3	2
	022_84x	bpc cover	2
Wood	A200	Post 70x70 L2000	2
	C74	Beam 740 mm	3
	D60	Board 600 mm	9
	D74	Board 740 mm	6

Extension Tower - P02 - ET01 - 18-12-2020 - v3.0



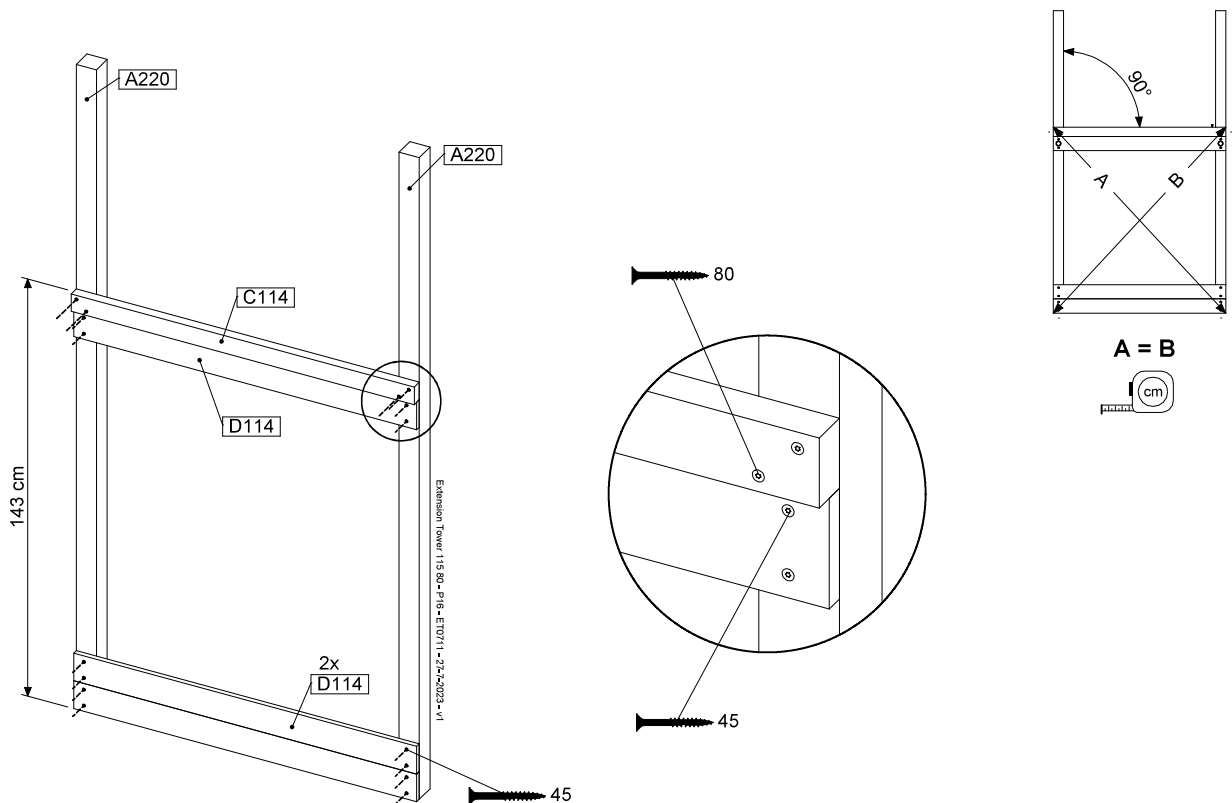
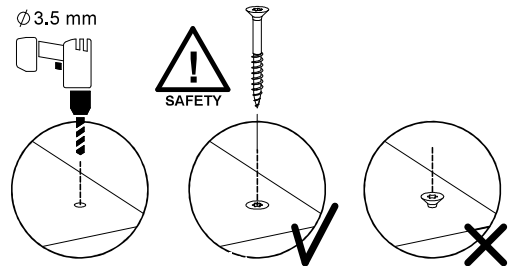
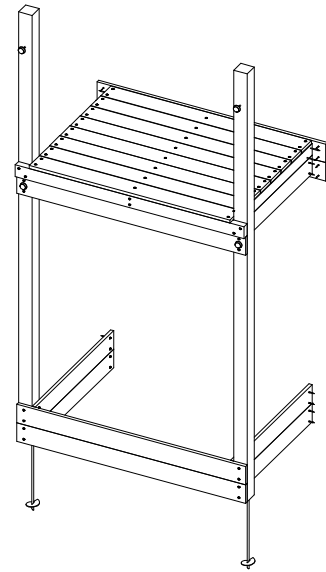


4 ET11a: Extension Tower 11580 220/145

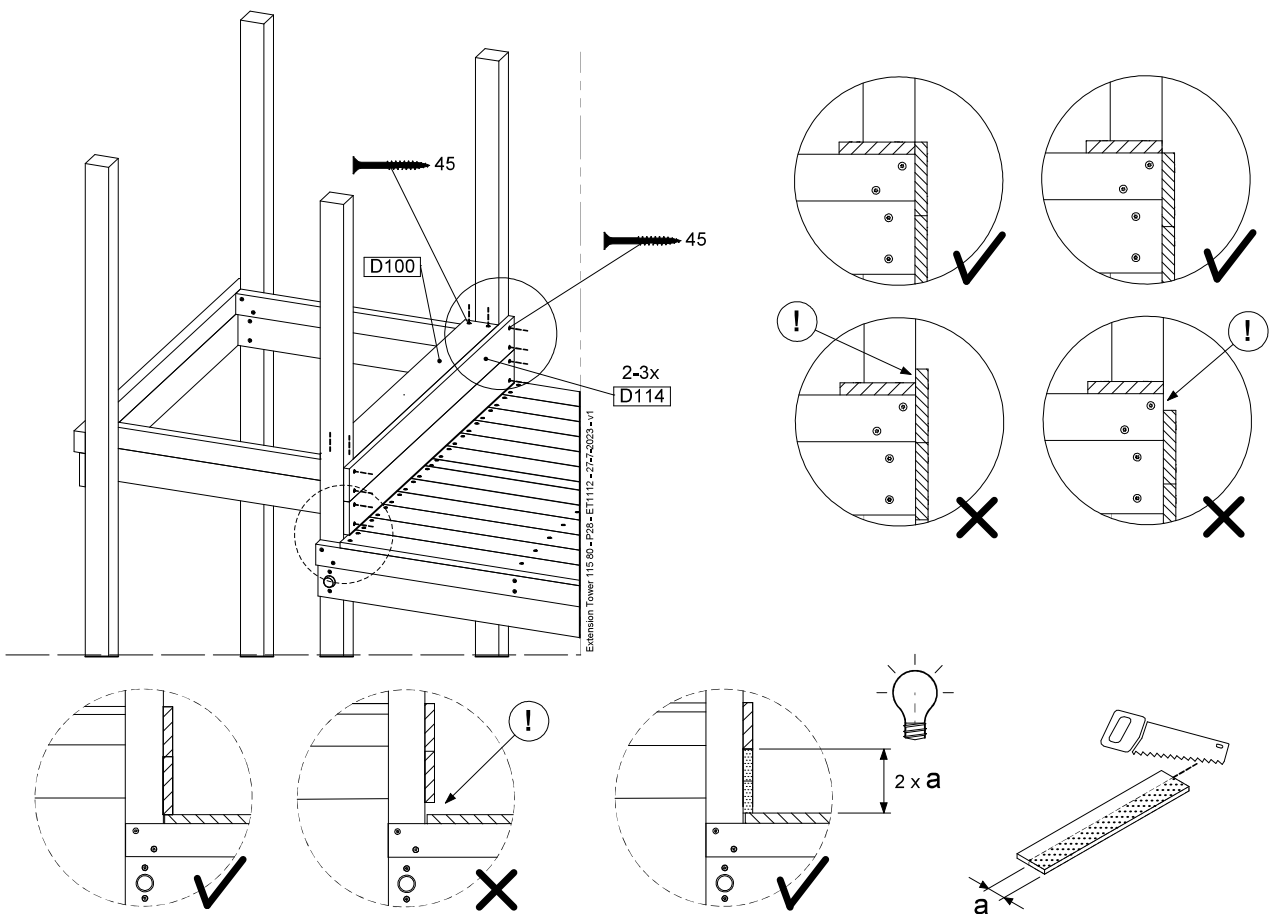
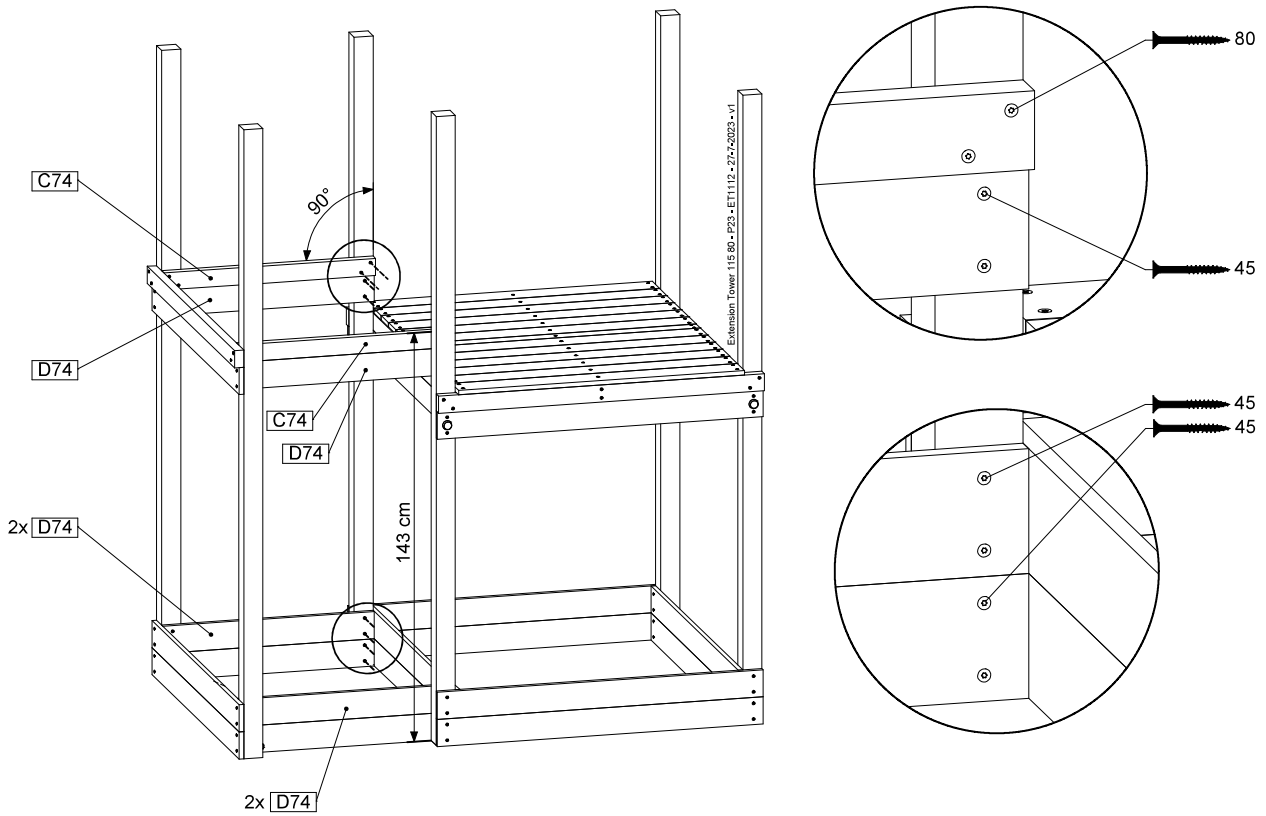
(194_300)

	PartNo	PartName	QTY.
Hardware pack	001_406	Stealth Screw 8x45	4
	001_417	Stealth Screw 8x80	2
	002_220	Gap Point Screw T25 - 5x45	93
	002_223	Gap Point Screw T25 - 5x80	16
Other	007_001	Ground-anchor	2
	022_31x	bpc-base version 3	4
	022_84x	bpc cover	4
Timber	A220	Post 70x70 L2200	2
	C74	Beam 740 mm	3
	C114	Beam 1140 mm	1
	D74	Board 740 mm	6
	D100	Board 1000 mm	9
	D114	Board 1140 mm	6

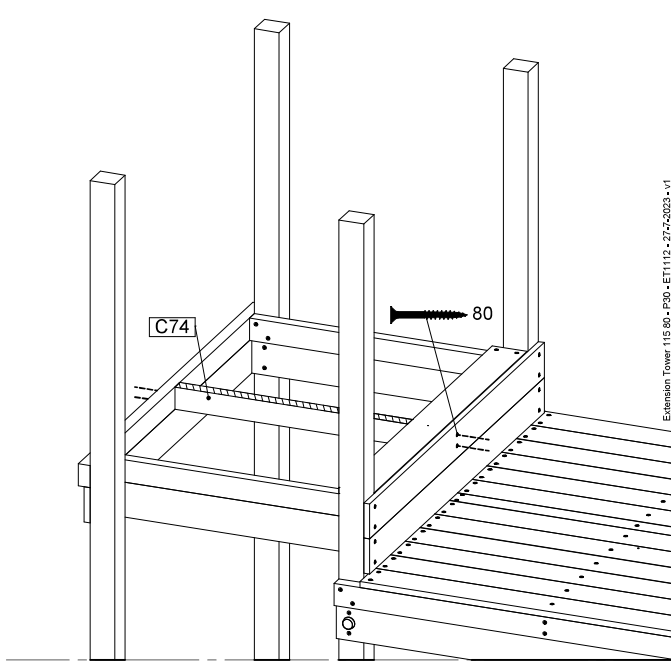
Extension Tower 115 80 - P18 - ET11 - 27-7-2023 - v1



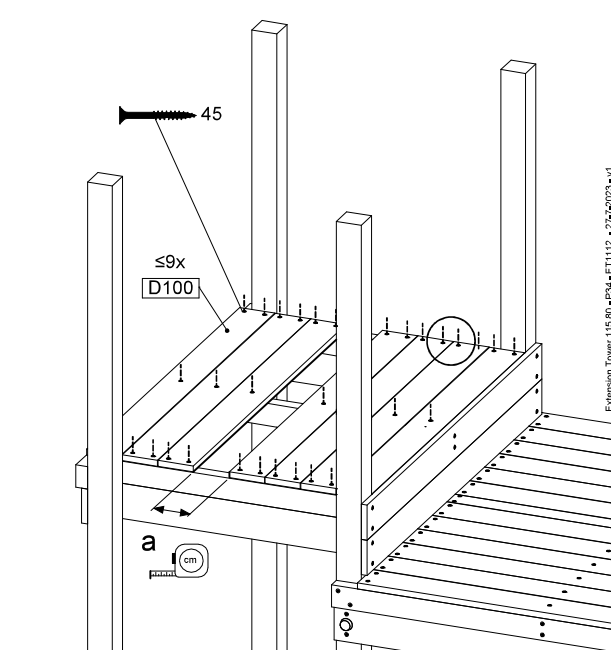
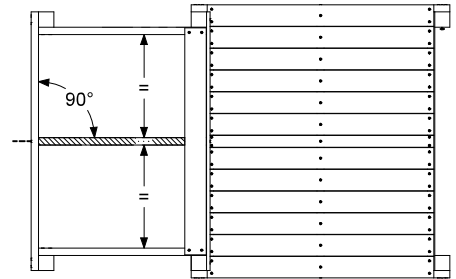
4.1



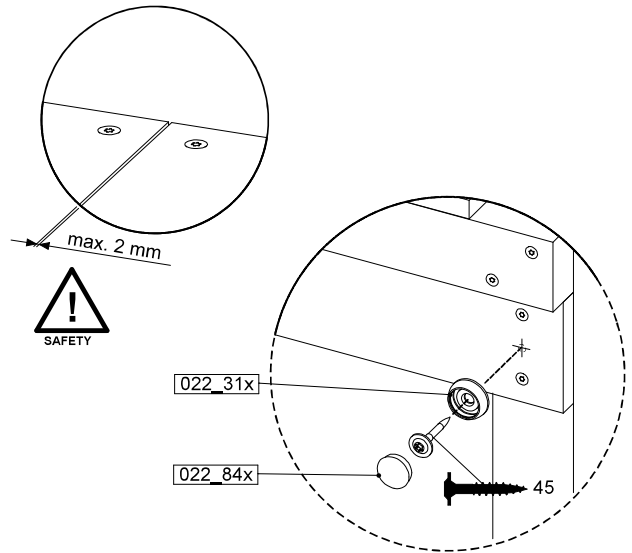
4.2



Extension Tower 115_80 - P30 - ET1112 - 2727-2023 - v1

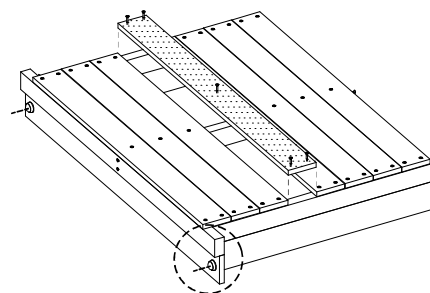
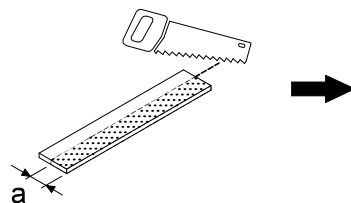


Extension Tower 115_80 - P30 - ET1112 - 2727-2023 - v1



022_31x

022_84x

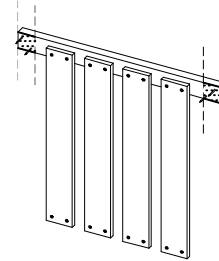


5 BL01a: Balustrade 80 U - 7x7 posts

(194_101)

	PartNo	PartName	QTY.
Hardware Pack	002_220	Gap Point Screw T25 - 5x45	16
	100_601	Gap Point Screw T25 - 5x80	4
Timber	C74	Beam 740 mm	1
	D65	Board 650 mm	4

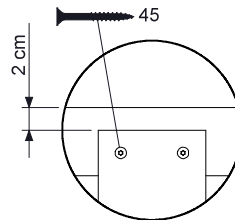
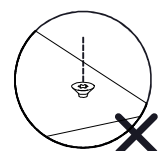
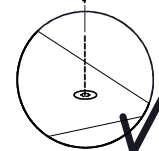
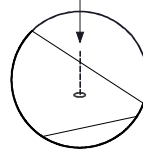
Balustrade 80 - P02 U - 15-7-2022 - v4



Ø3,5mm



SAFETY



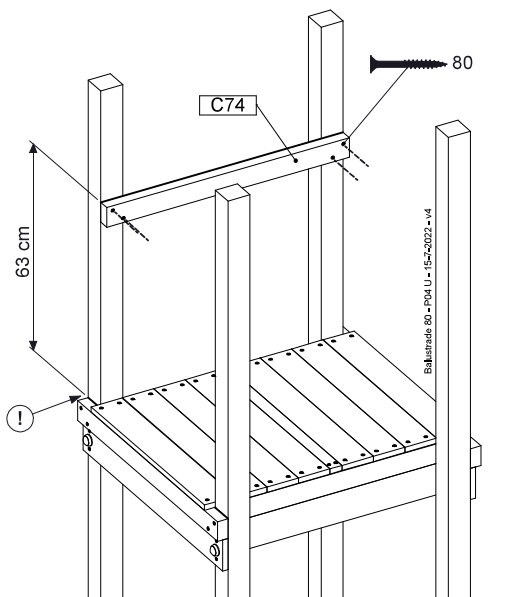
2 cm

45



SAFETY

min. 26mm
max. 70mm



63 cm

C74

80

Balustrade 80 - P04 U - 15-7-2022 - v4

4 x
D65

min. 26mm
max. 70mm

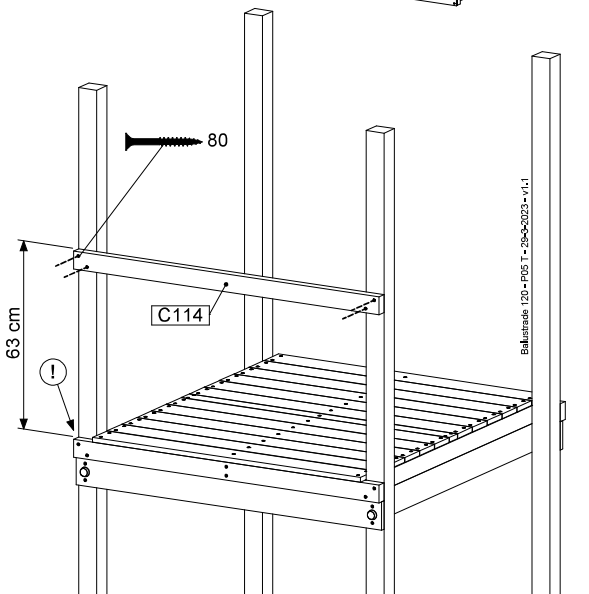
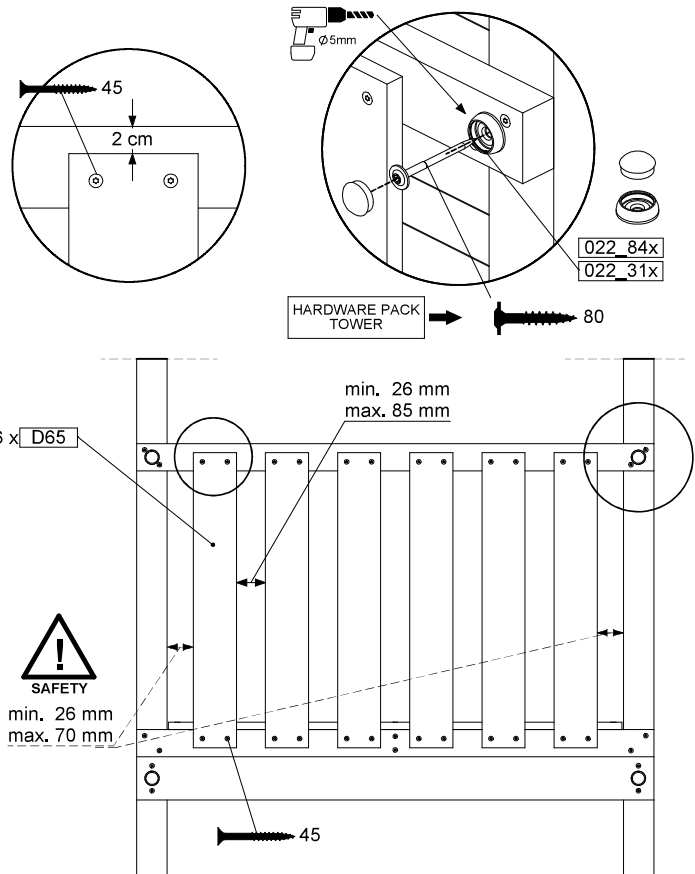
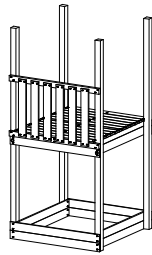
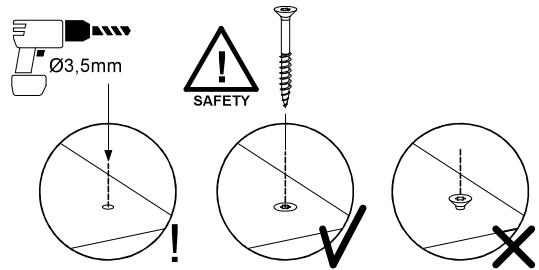
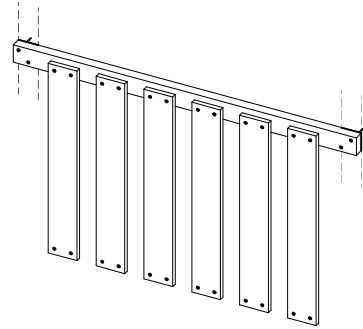
45

6 BL04a: Balustrade 115 T

(194_501)

	PartNo	PartName	QTY.
Hardware Pack	002_220	Gap Point Screw T25 - 5x45	24
	002_223	Gap Point Screw T25 - 5x80	4
Timber	C114	Beam 1140 mm	1
	D65	Board 650 mm	6

Balustrade 120-F03 T-20-0-2023-v1.1

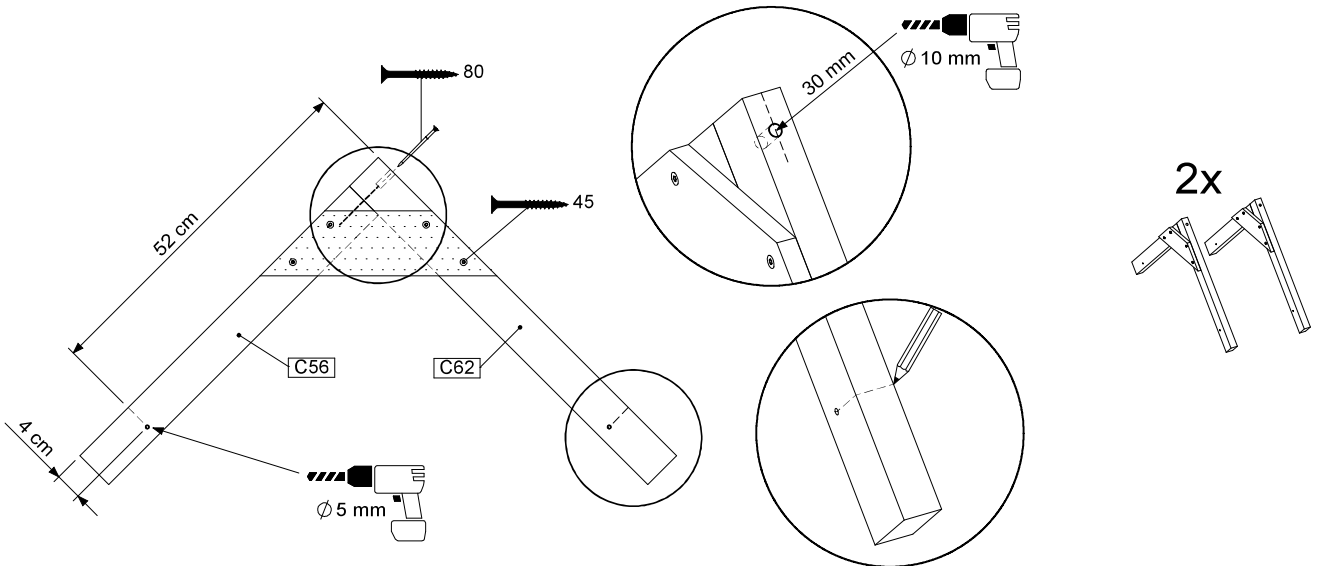
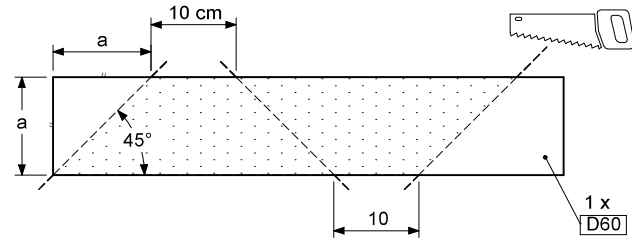
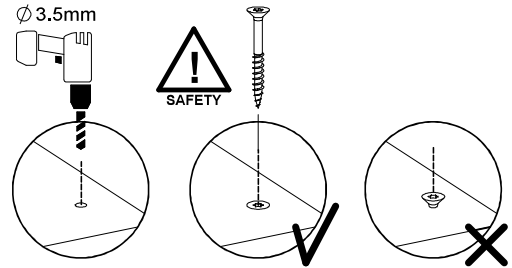
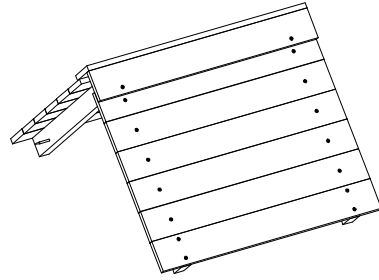


7 RF21a: Roof Timber Gable 80

Assembly Pack: 194_111

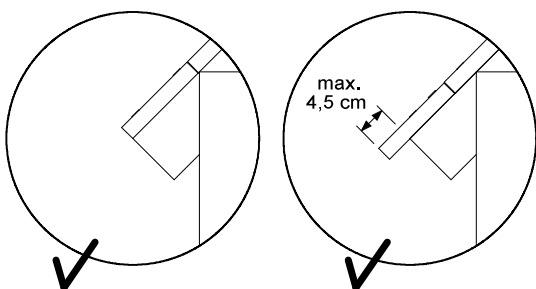
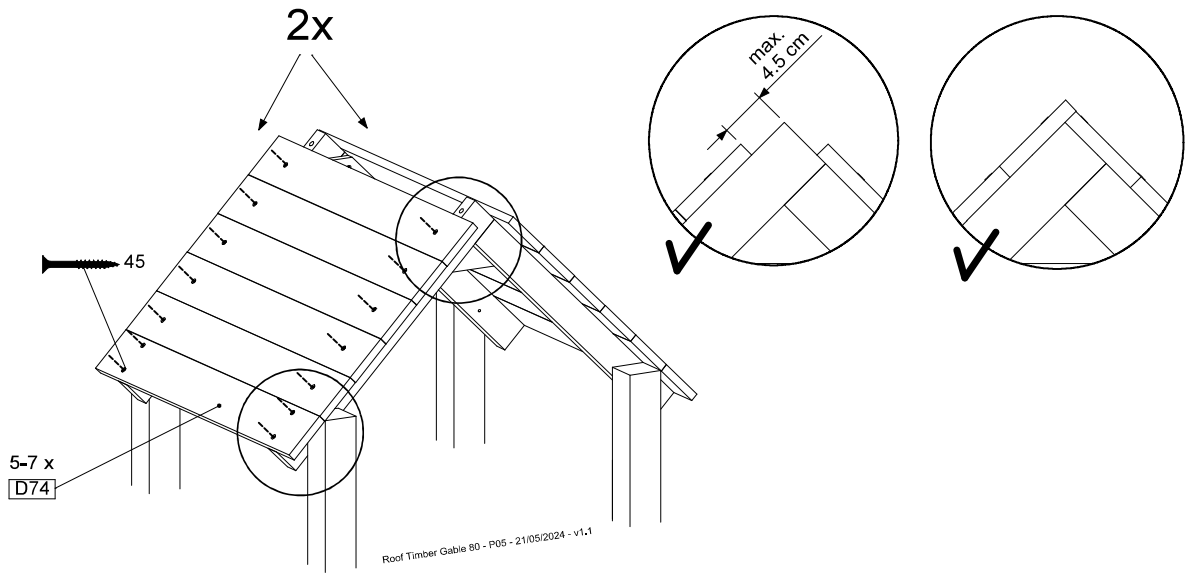
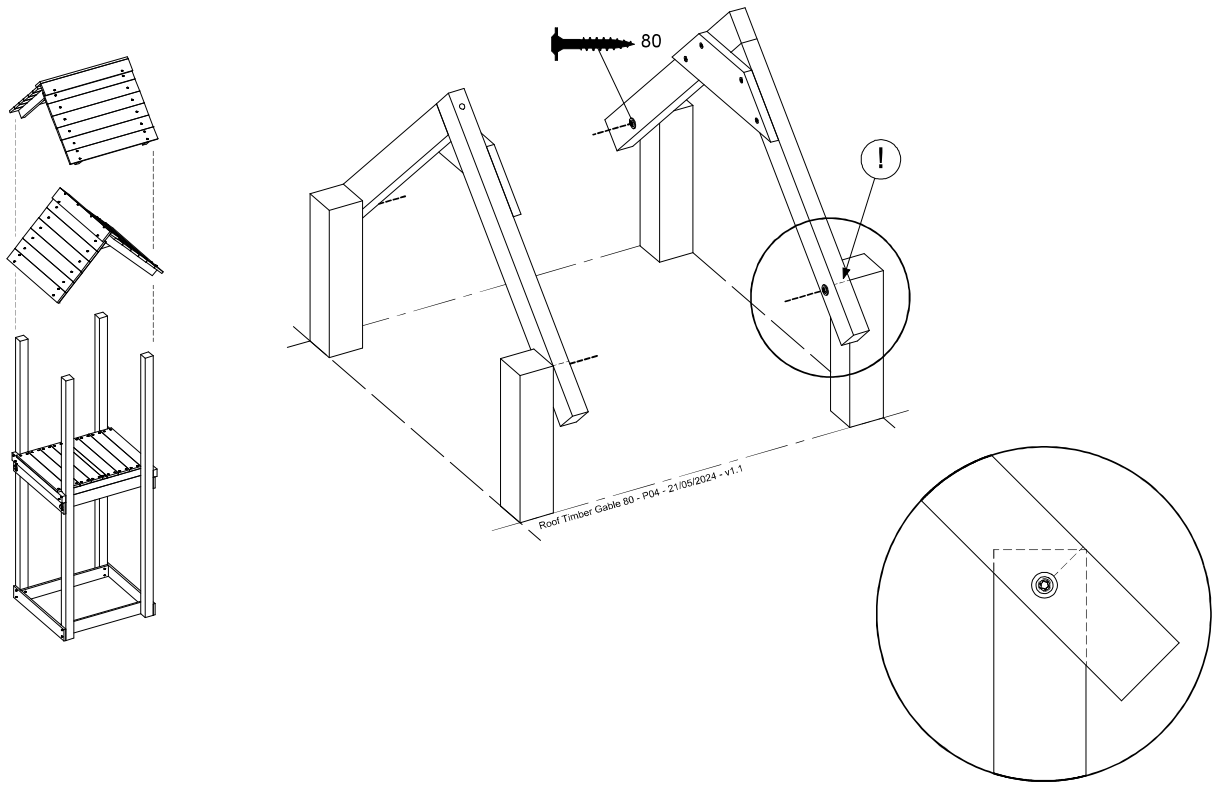
	PartNo	PartName	QTY.
Hardware Pack	001_417	Stealth Screw 8x80	4
	002_220	Gap Point Screw T25 - 5x45	48
	002_223	Gap Point Screw T25 - 5x80	2
Timber	C56	Beam 560 mm	2
	C62	Beam 620 mm	2
	D60	Board 600 mm	1
	D74	Board 740 mm	16

Roof Timber Gable 80 - P02 - 21/05/2024 - v1.1

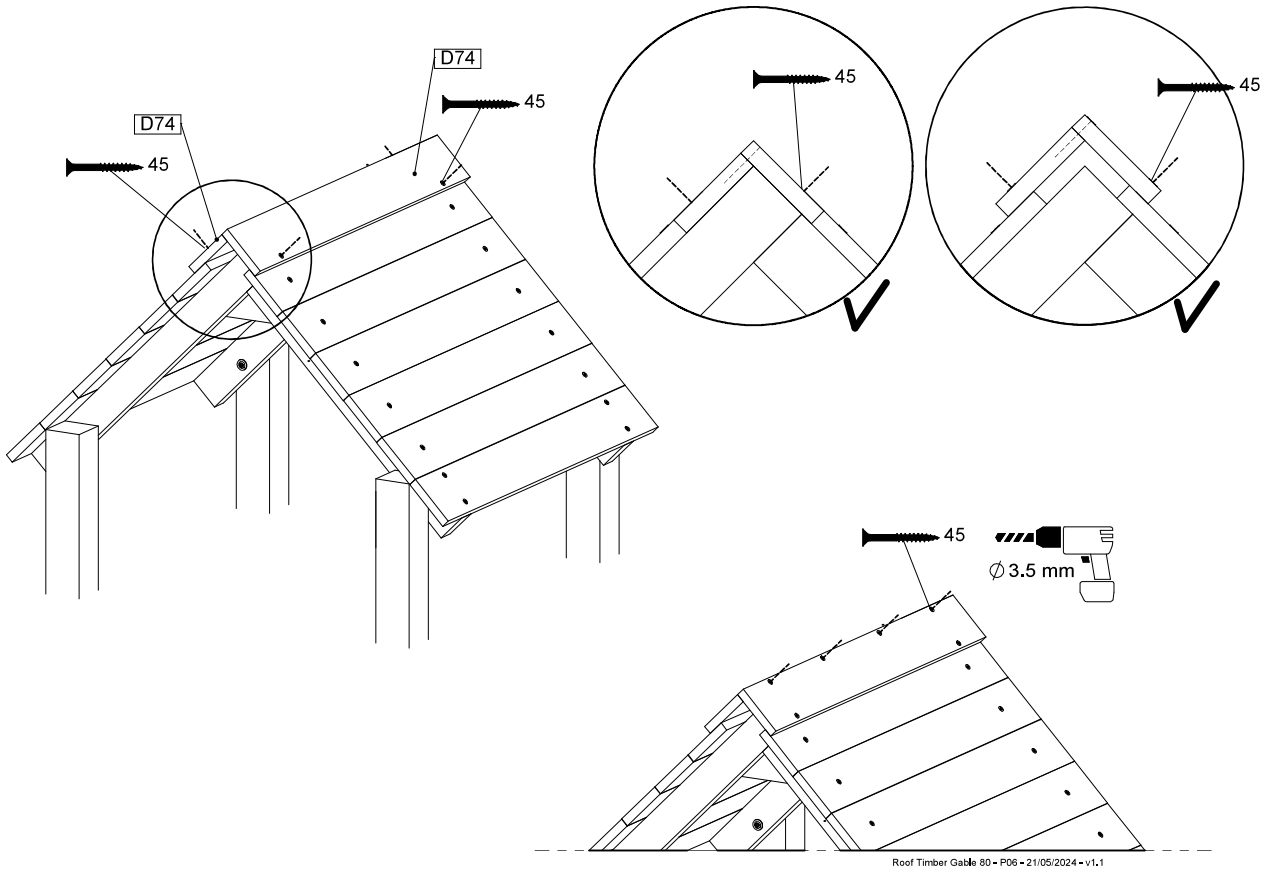


Roof Timber Gable 80 - P03 - 21/05/2024 - v1.1

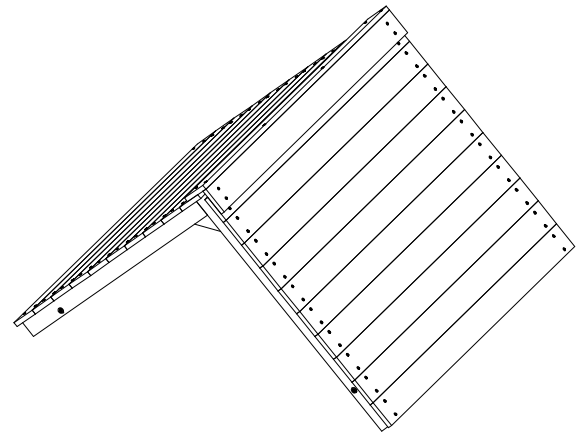
7.1



7.2



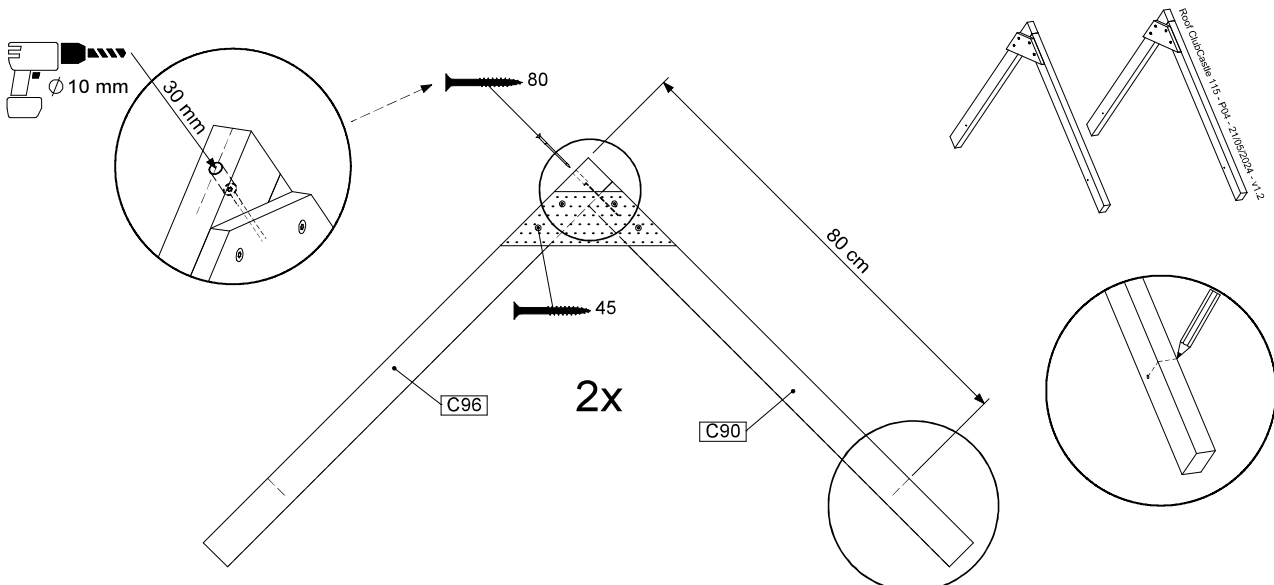
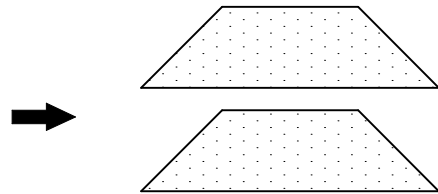
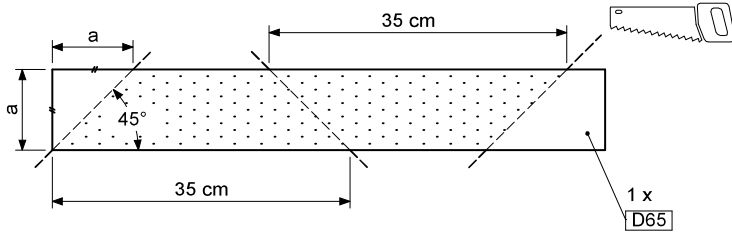
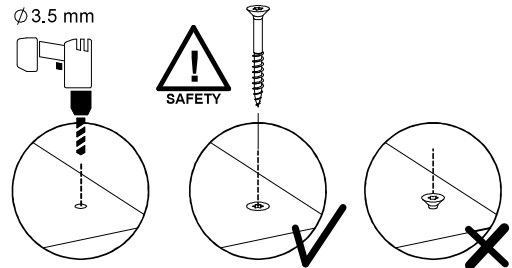
8 RF08a: Roof Timber Gable 115



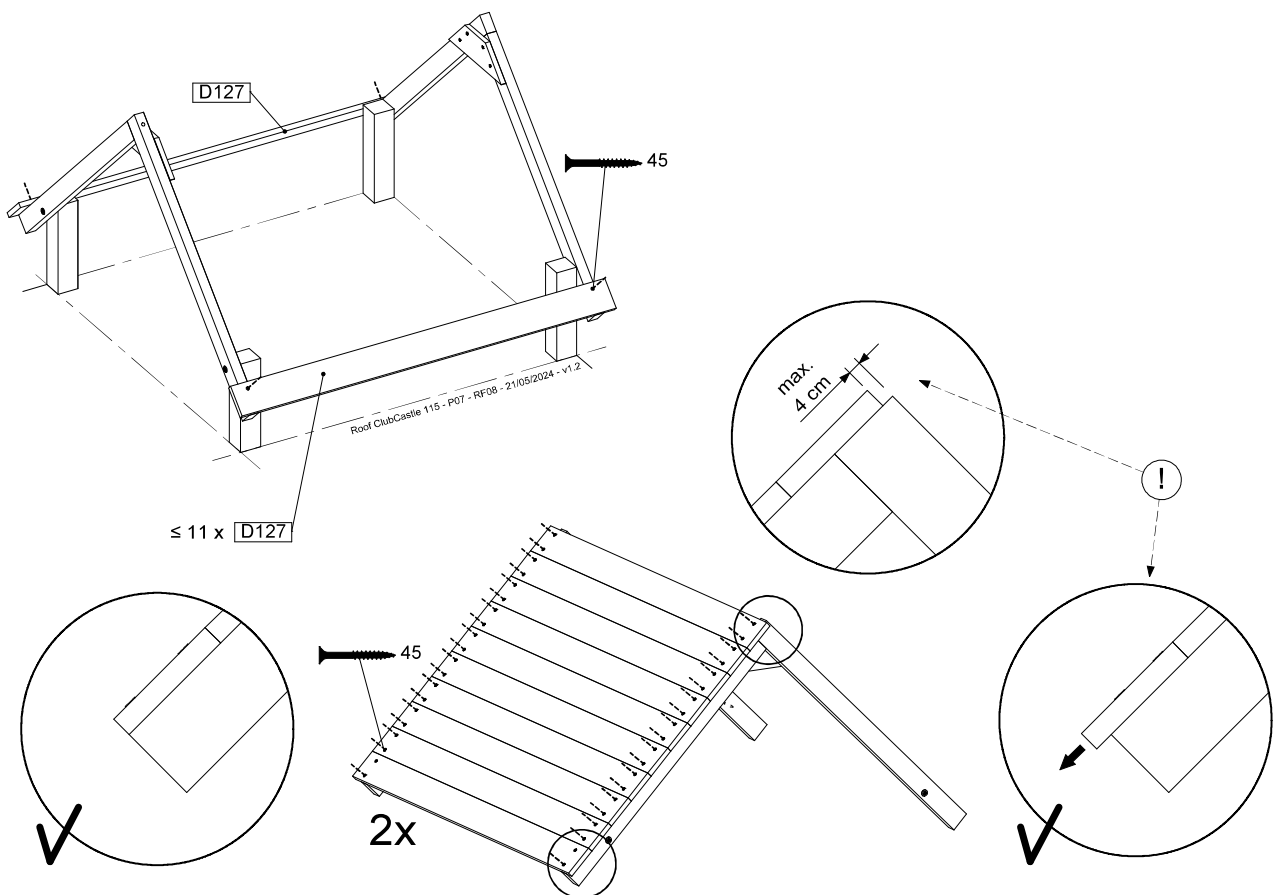
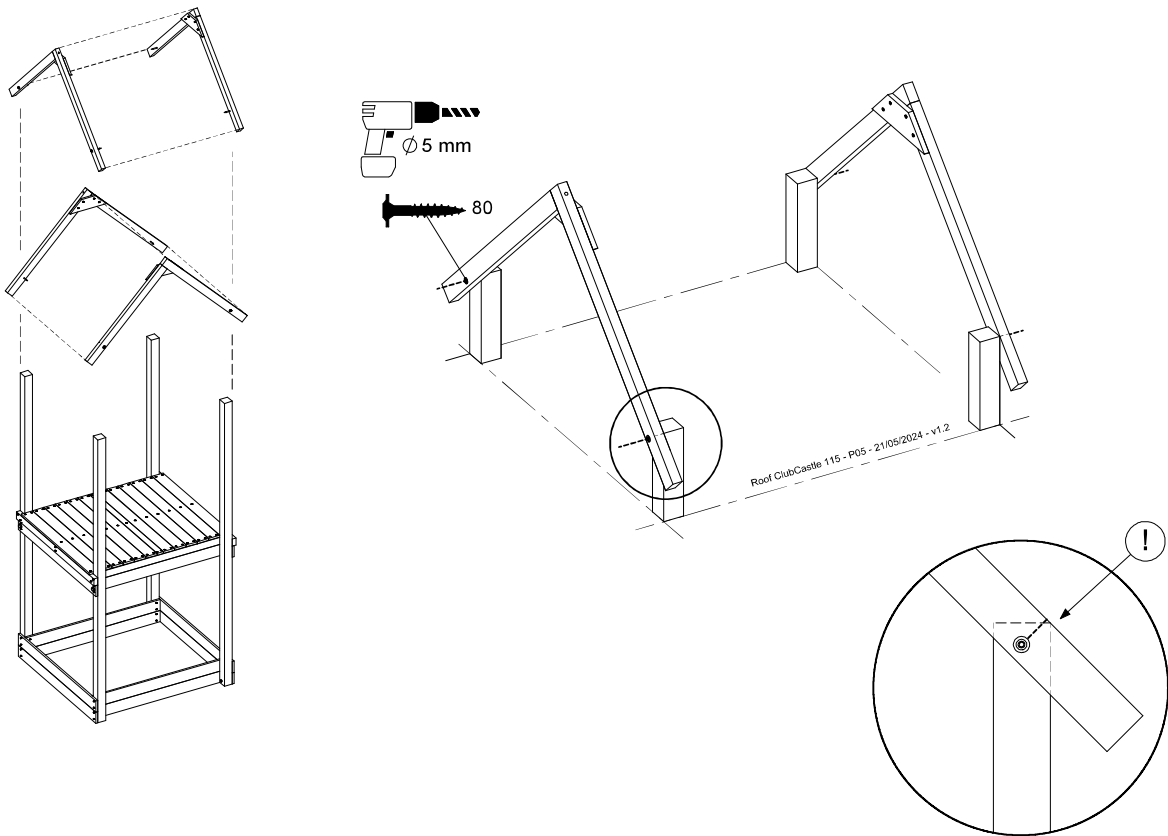
Assembly Pack: 194_308 / 194_804

	PartNo	PartName	QTY.
Hardware Pack	001_417	Stealth Screw 8x80	4
	002_220	Gap Point Screw T25 - 5x45	100
	002_223	Gap Point Screw T25 - 5x80	8
Timber	C96	Beam 960 mm	2
	D65	Board 650 mm	1
	D127	Board 1270 mm	24
	C90	Beam 900 mm	2

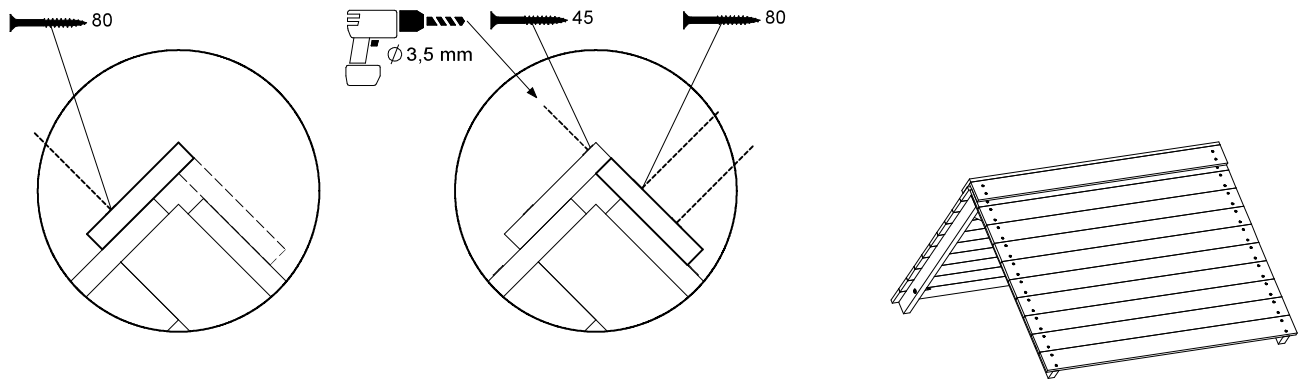
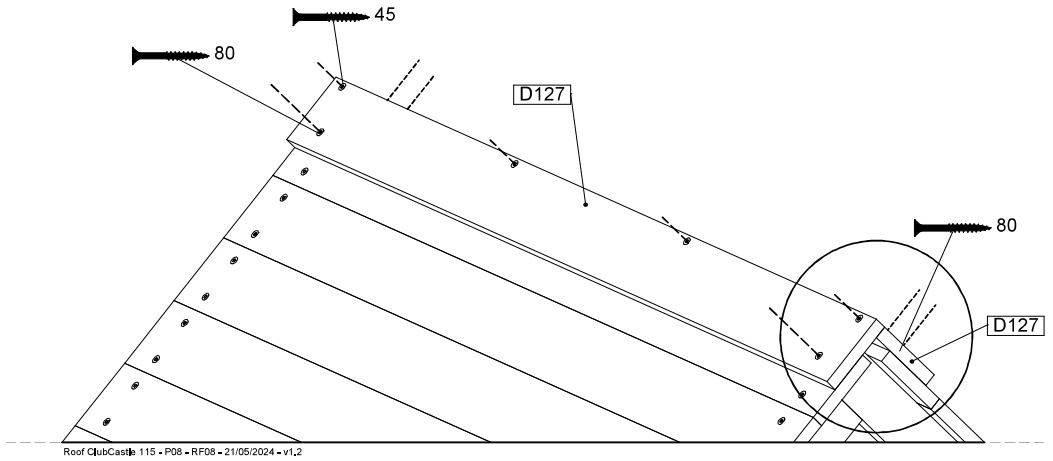
Roof ClubGable 115 - P03 - RF08 - 21/05/2024 - v1.2



8.1



8.2

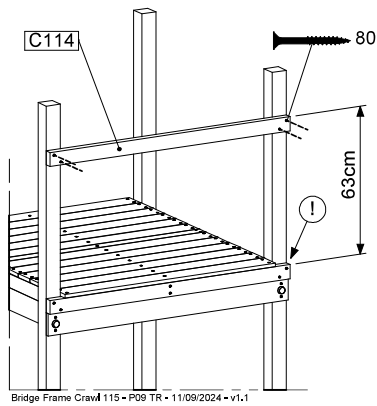
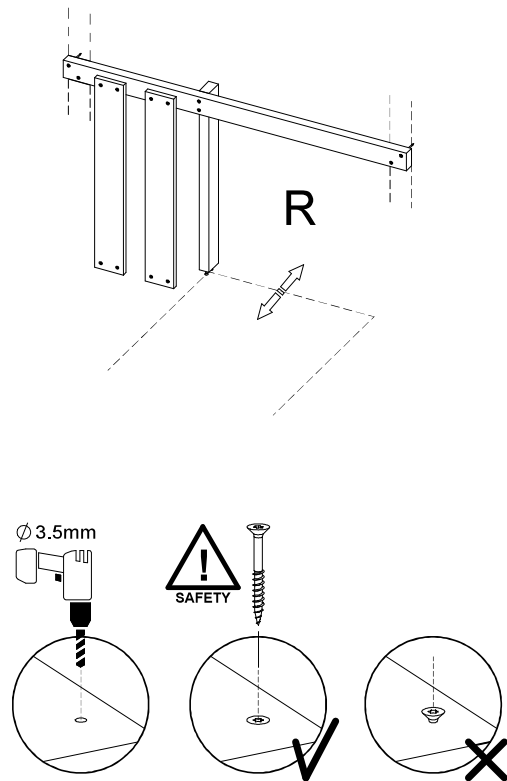


9 BF08a: Bridge Frame Crawl 115 T Right

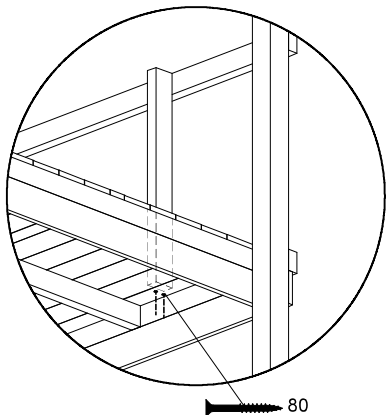
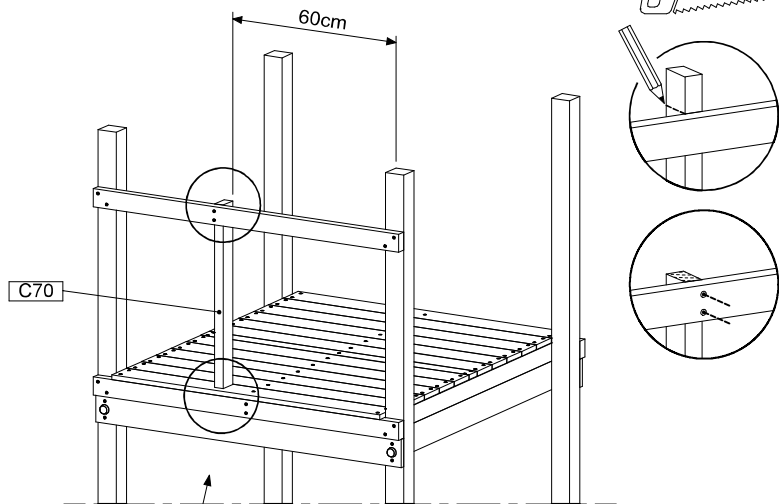
Assembly Pack: 194_007 (a) / 194_802(b)

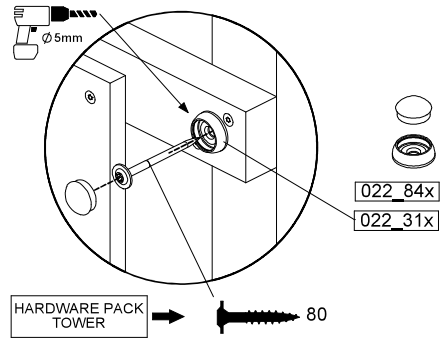
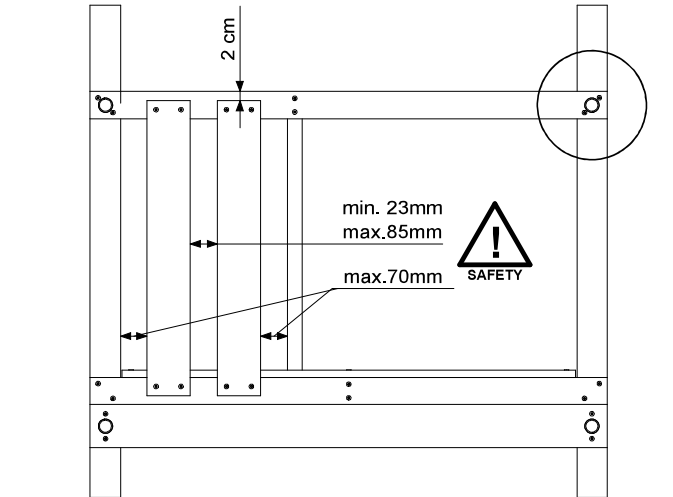
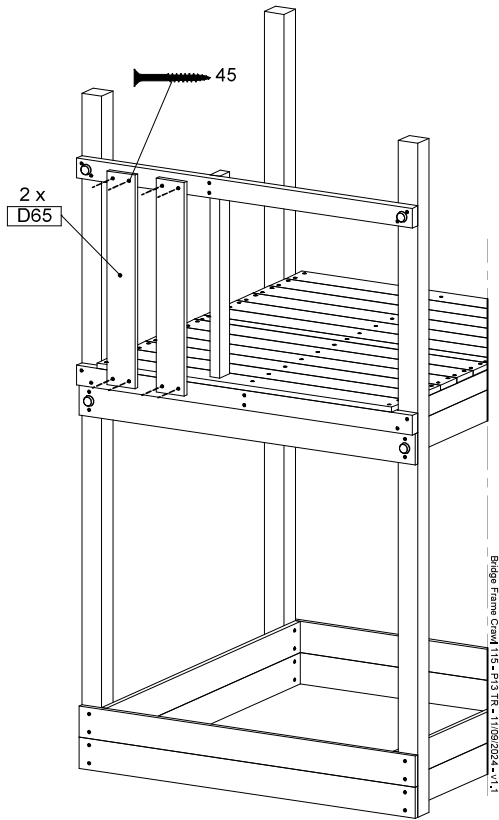
	PartNo	PartName	QTY.
Hardware + Parts	002_220	Gap Point Screw T25 - 5x45	8
	002_223	Gap Point Screw T25 - 5x80	8
Timber	C70	Beam 700 mm	1
	C114	Beam 1140 mm	1
	D65	Board 650 mm	2

Bridge Frame Crawl 115 - P08 TR - 11/09/2024 - v1.1



Bridge Frame Crawl 115 - P08 TR - 11/09/2024 - v1.1



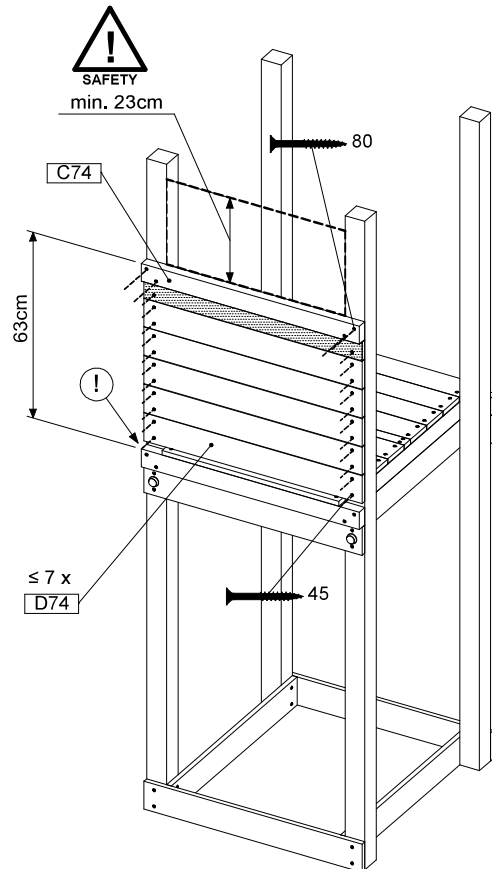
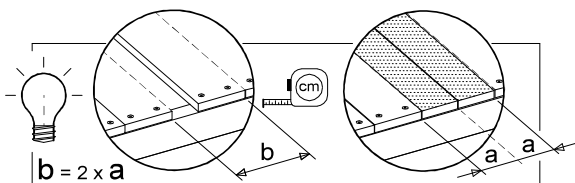
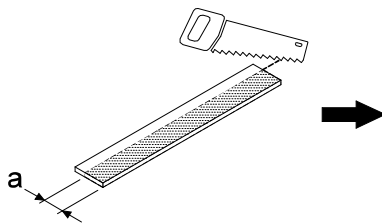
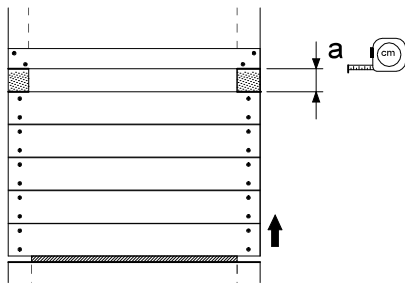
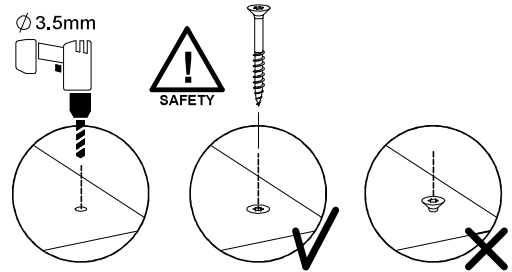
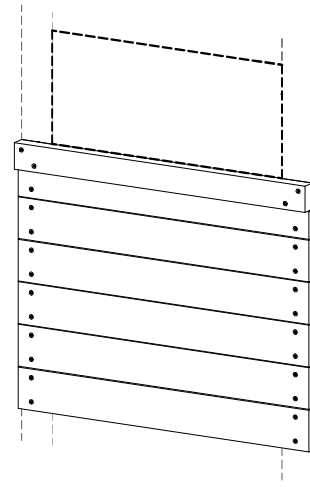


10 PH06a: Playhouse Window Panel 80 T

Assembly Pack: 194_501

	PartNo	PartName	QTY.
Hardware + Parts	002_220	Gap Point Screw T25 - 5x45	28
	002_223	Gap Point Screw T25 - 5x80	4
Timber	C74	Beam 740 mm	1
	D74	Board 740 mm	7

Playhouse Walls - P06 WMN T - 16/08/2024 - v4.2



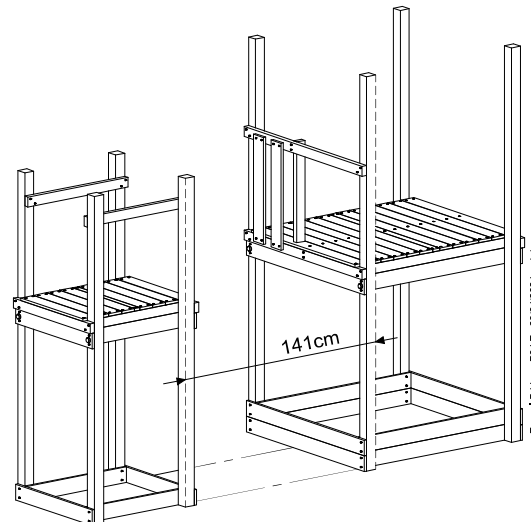
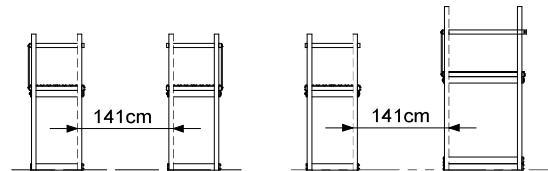
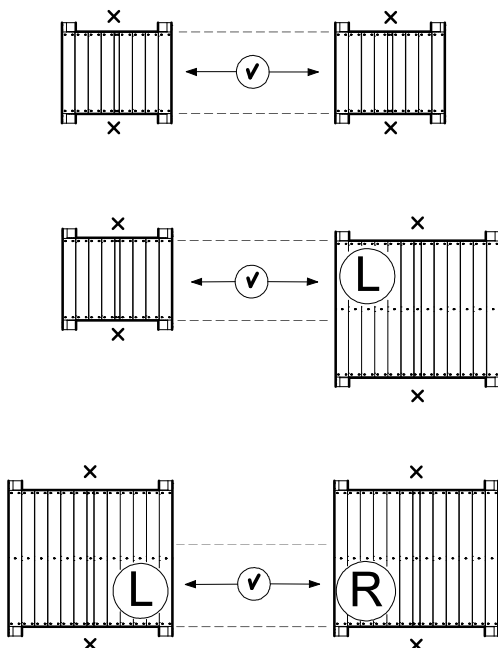
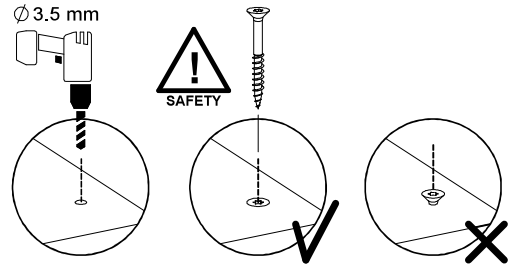
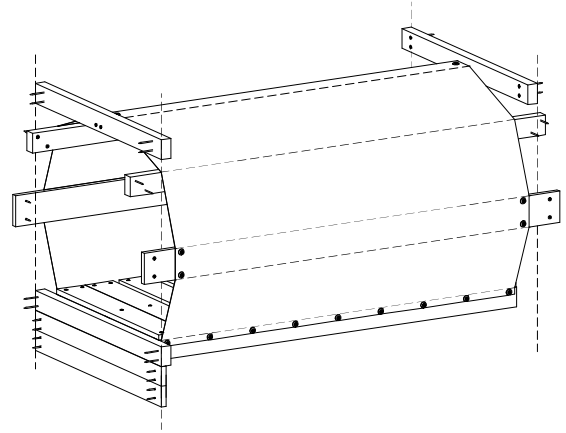
Playhouse Walls - P13 WMN T - 16/08/2024 - v4.2

11 TB02a: Tunnel Bridge T Level

Assembly Pack: 194_812

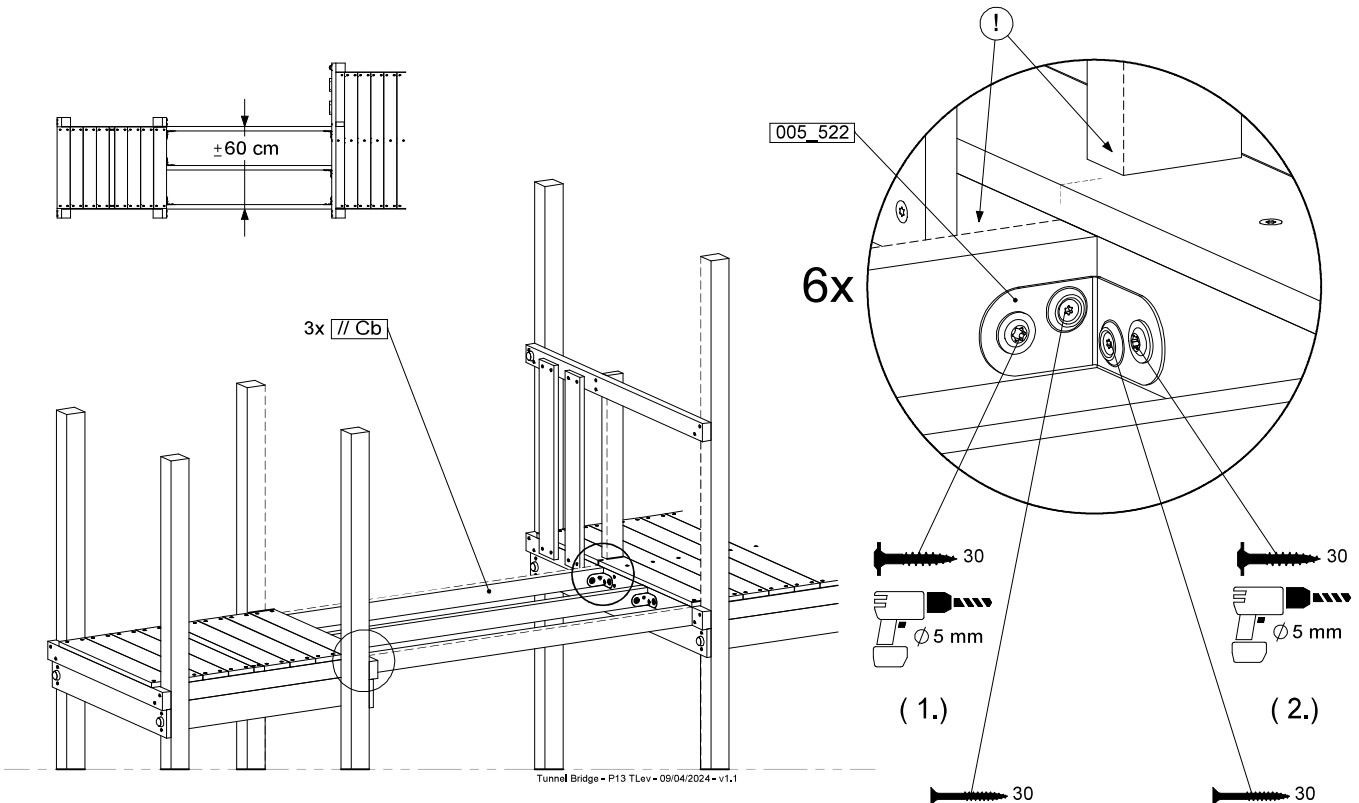
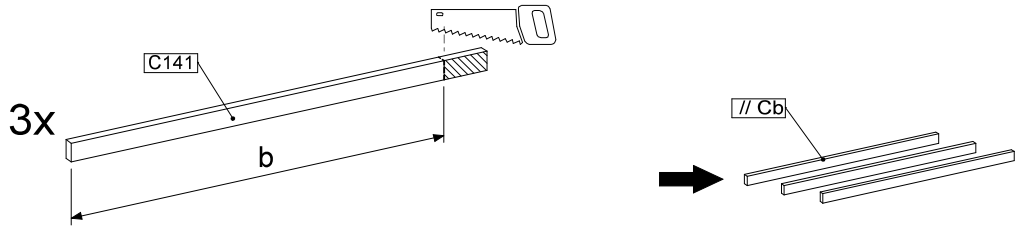
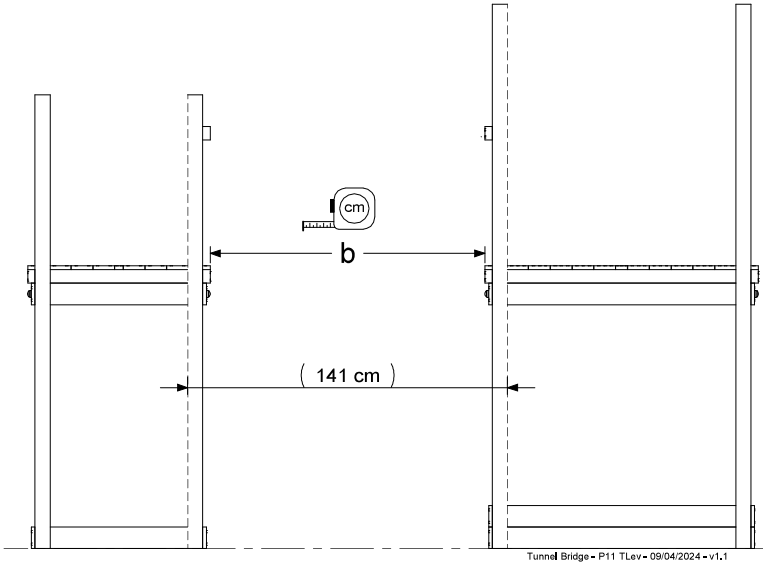
	PartNo	PartName	QTY.
Hardware Pack	001_404	Stealth Screw 8x30	12
	001_411	Stealth Screw 8x60	2
	001_417	Stealth Screw 8x80	4
	002_219	Gap Point Screw T25 - 5x30	12
	002_220	Gap Point Screw T25 - 5x45	81
	002_222	Gap Point Screw T25 - 5x60	4
	002_223	Gap Point Screw T25 - 5x80	24
	002_308	Gap Point Screw T25 - 5x20	28
	023_031	Finishing Washer GPS 5.0	28
Other	005_522	Connection Bracket Mini Market	6
	021_512	Mesh green 1.20 x 1.85m	1
Timber	C74	Beam 740 mm	3
	C141	Beam 1410 mm	6
	D60	Board 600 mm	13
	D74	Board 740 mm	2
	D141	Board 1410 mm	2

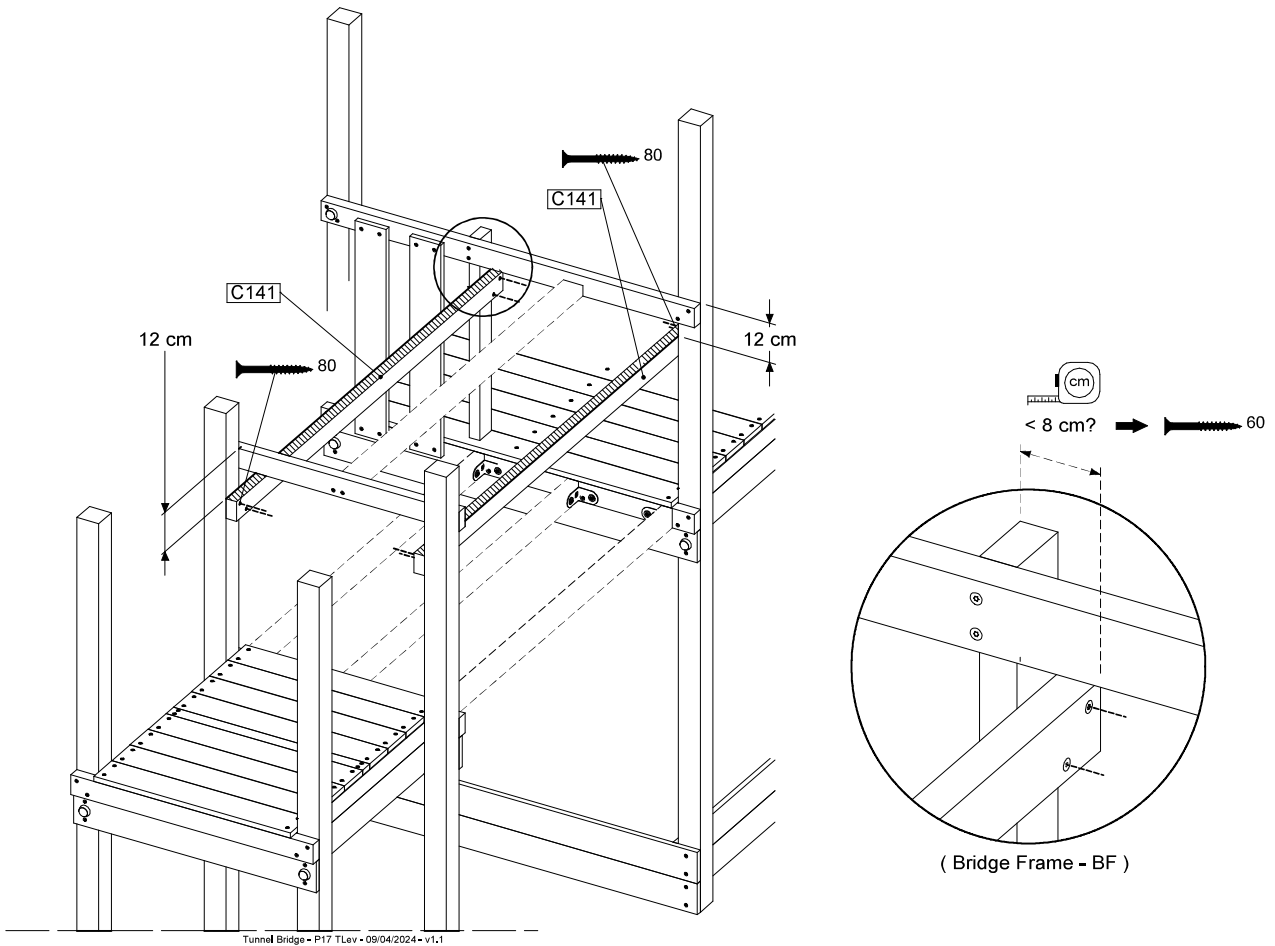
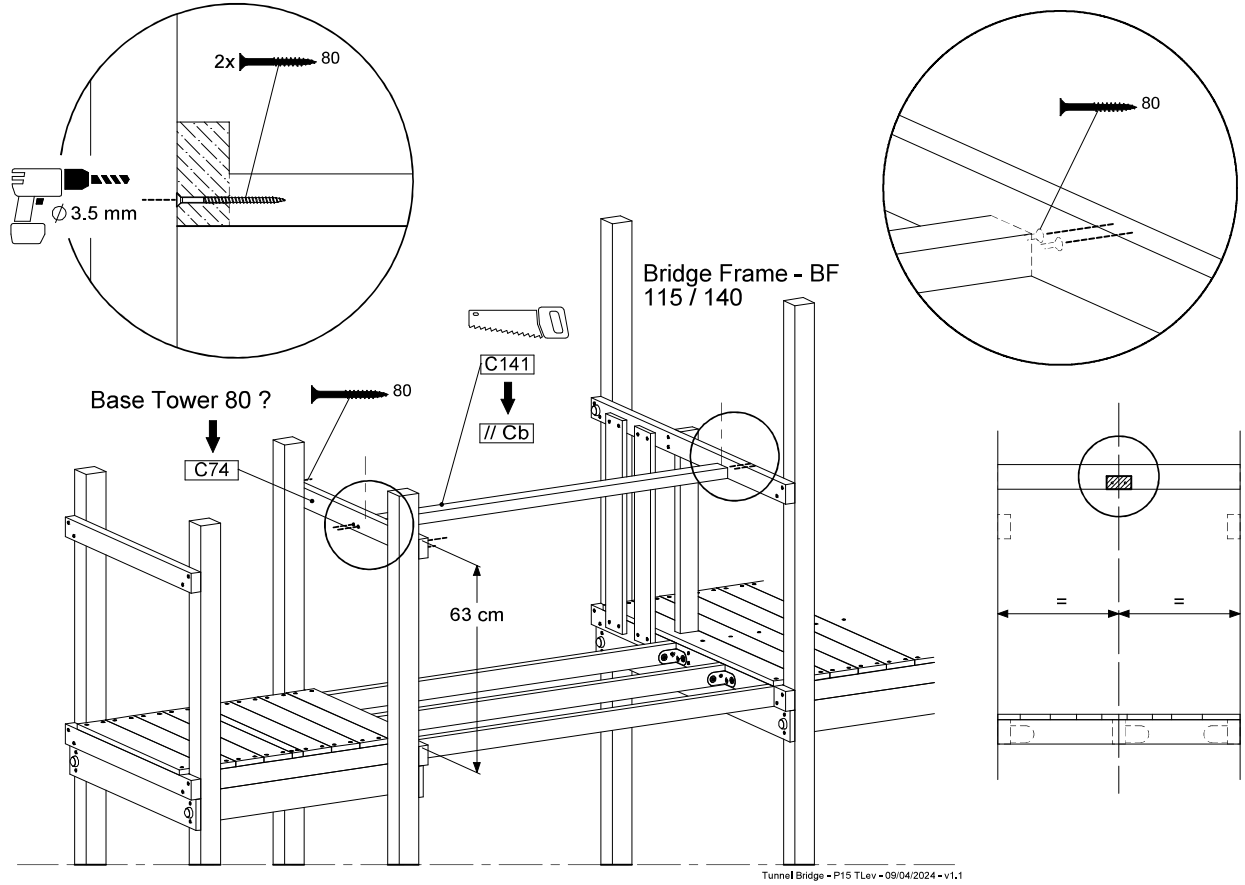
Tunnel Bridge - P02 - 06/04/2024 - v1.1



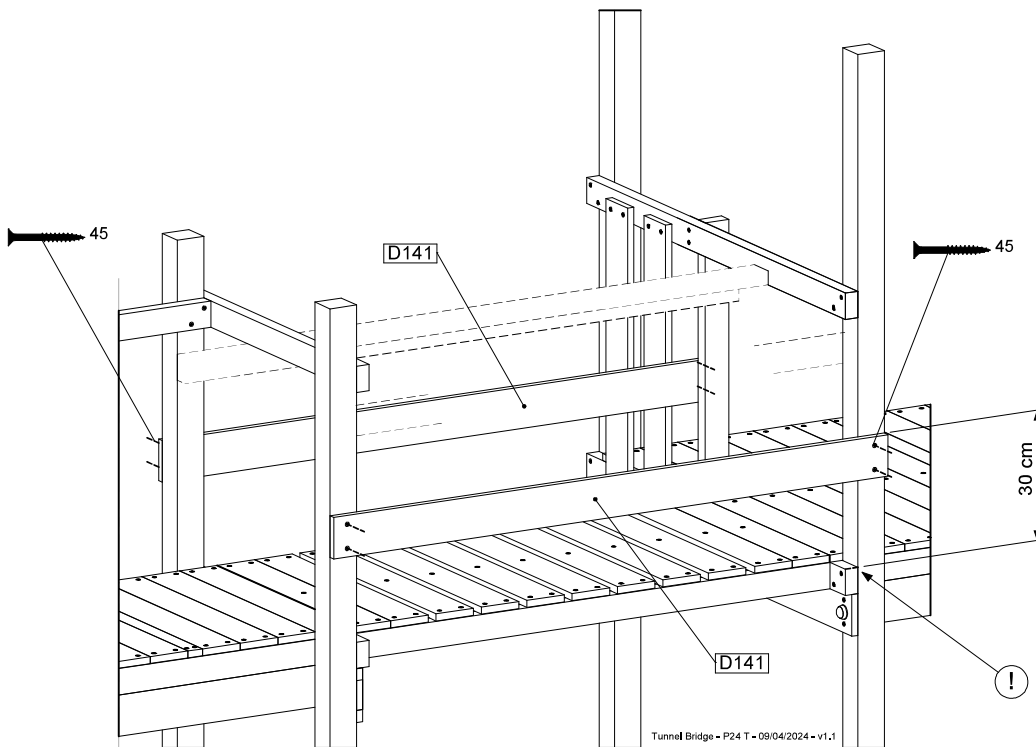
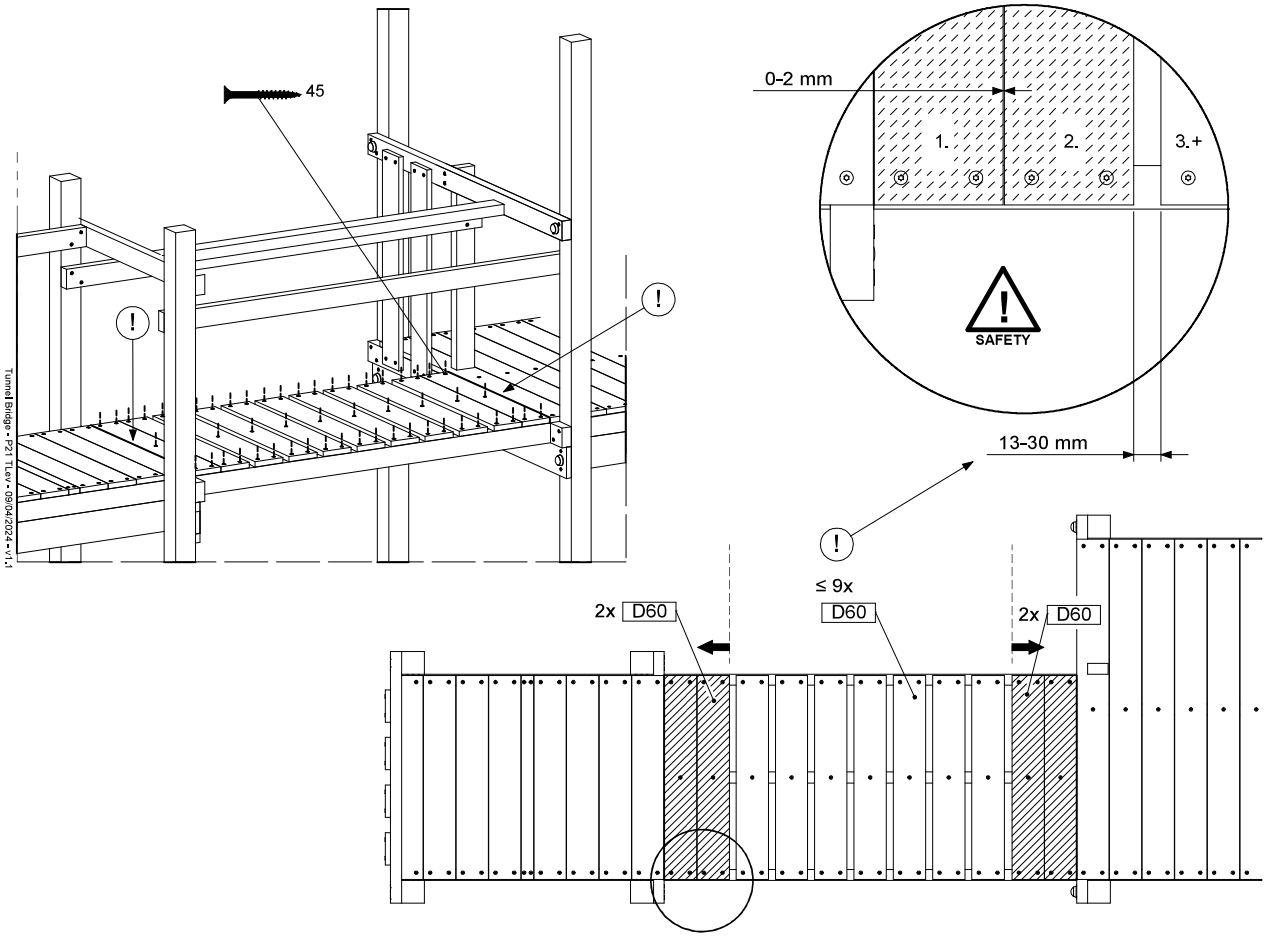
Tunnel Bridge - P04 T - 06/04/2024 - v1.1

11.1





11.3



11.4



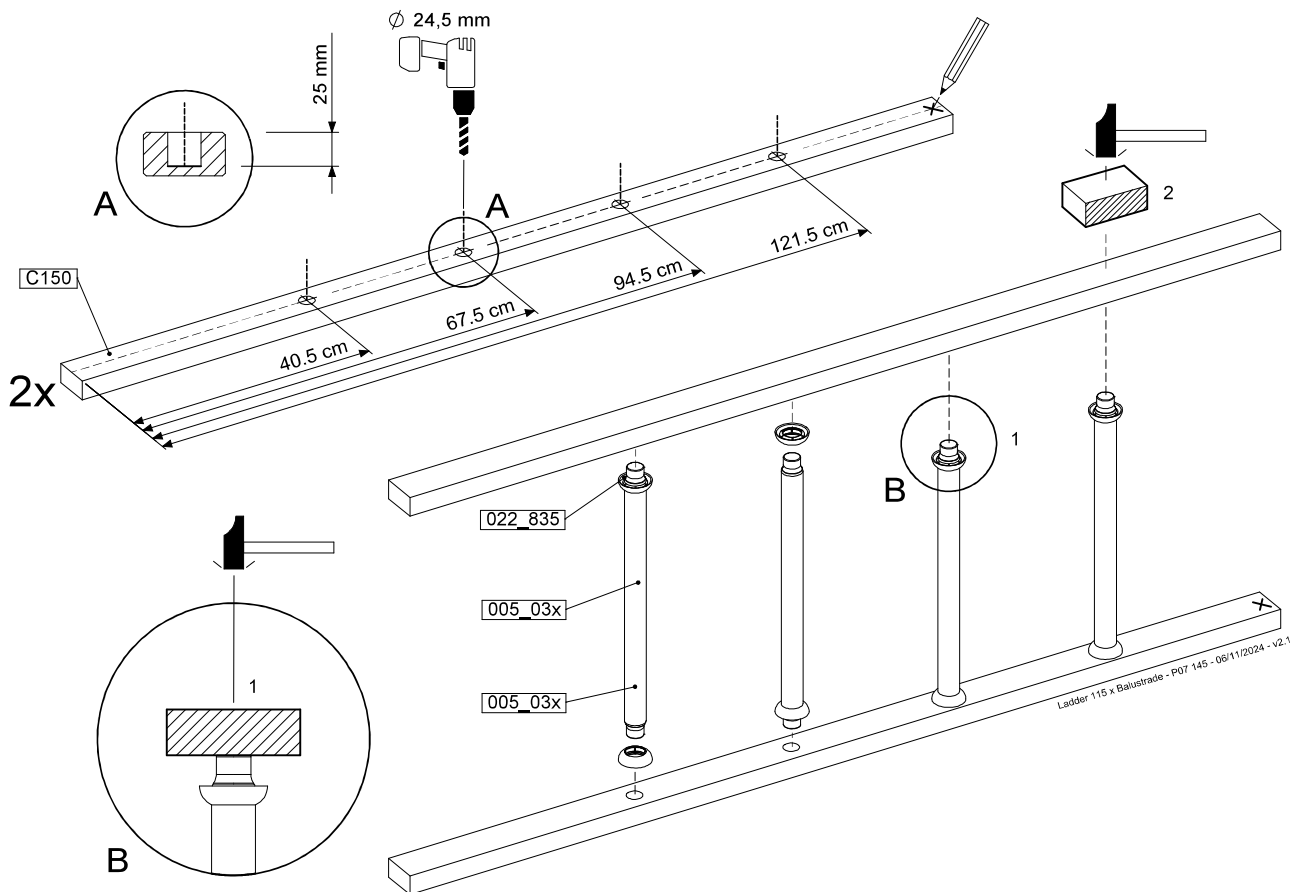
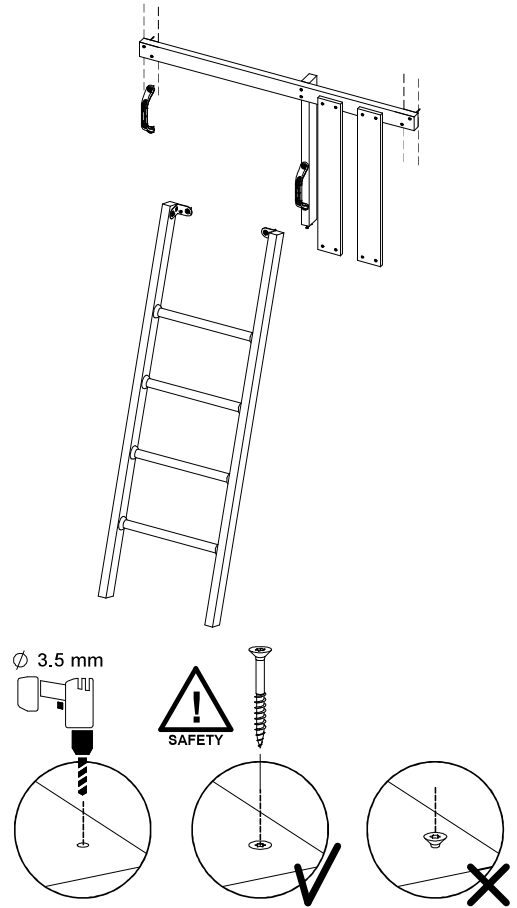
Tunnel Bridge - R25 - 09/04/2024 - v1.1

12 LA17a: Ladder 115 145 T Left

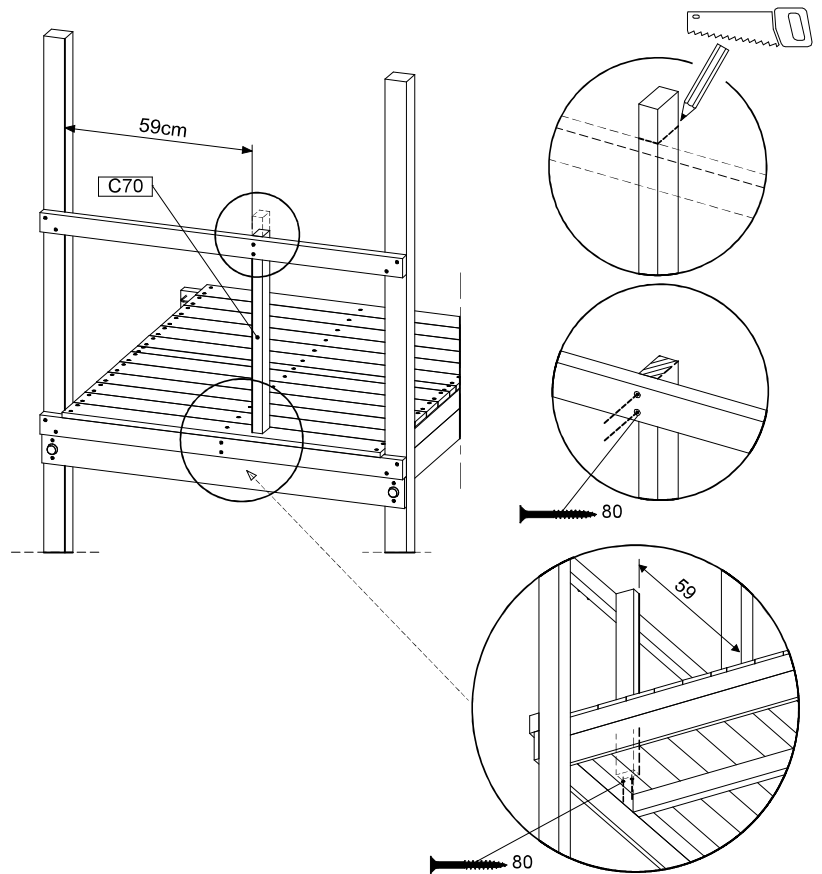
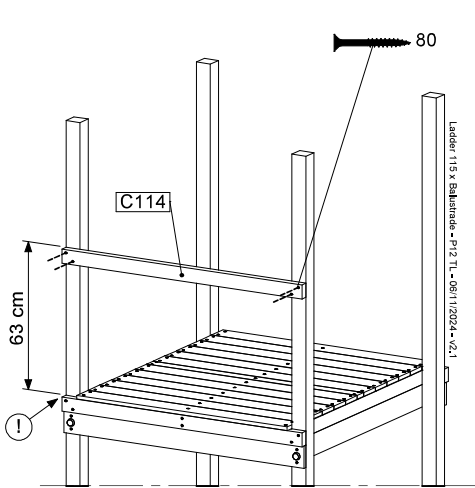
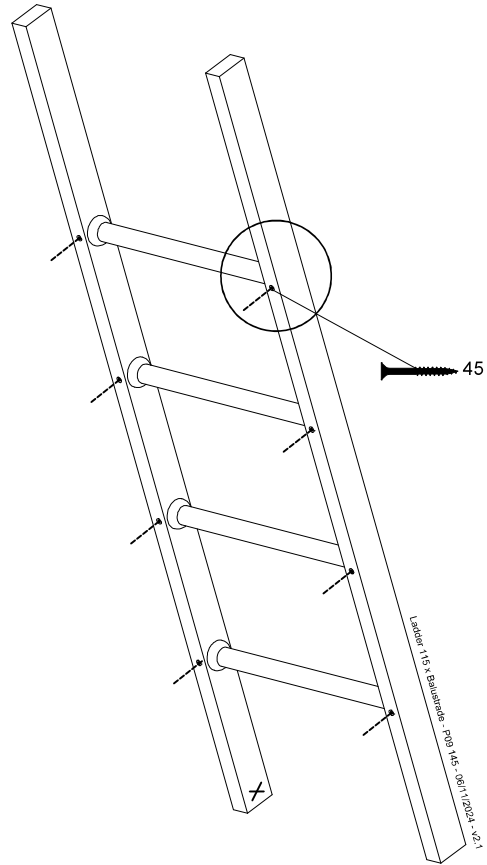
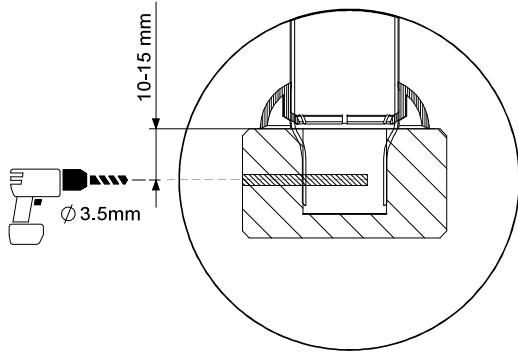
Assembly Packs: 194_101 + 194_004 / 194_104

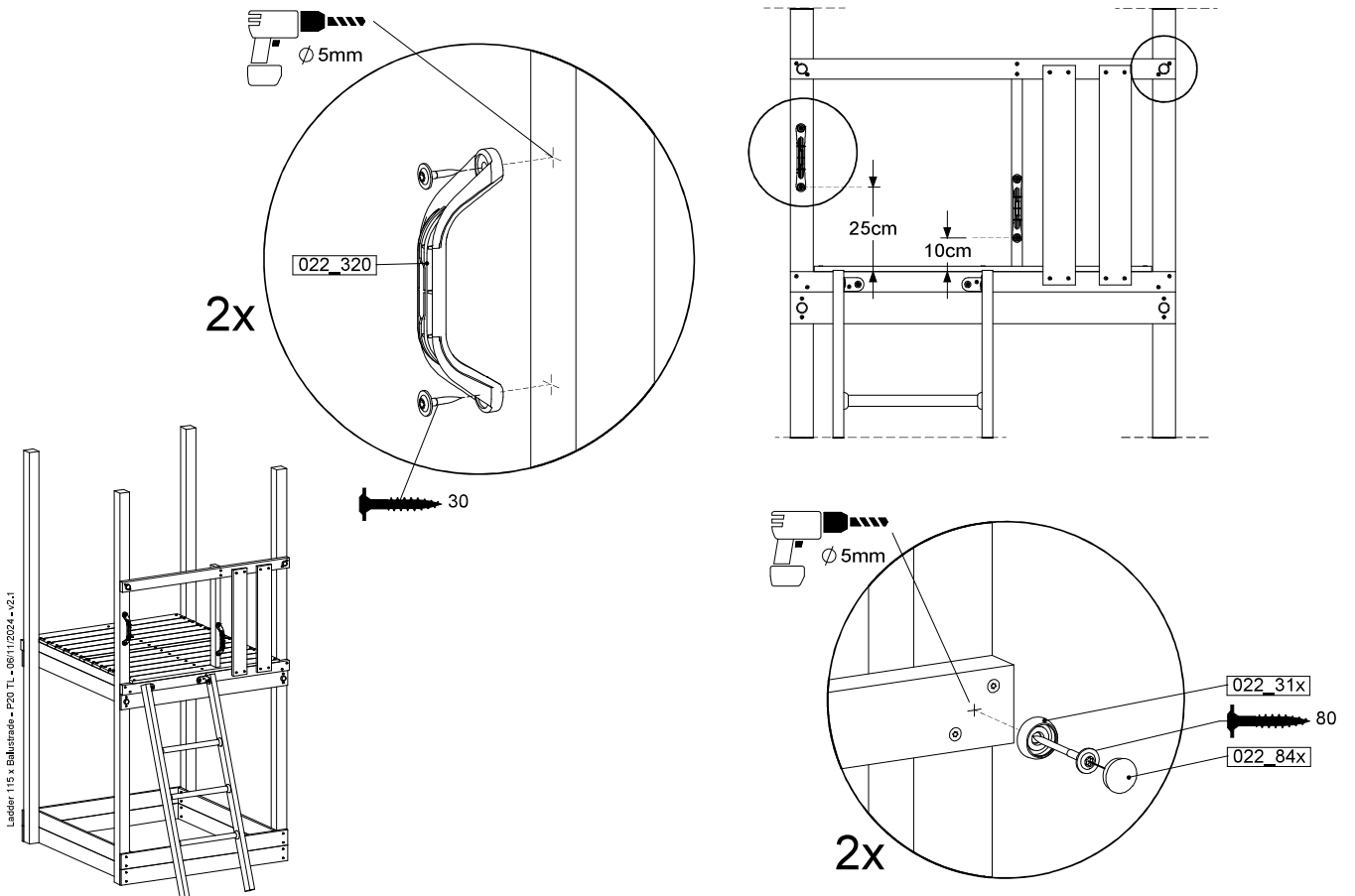
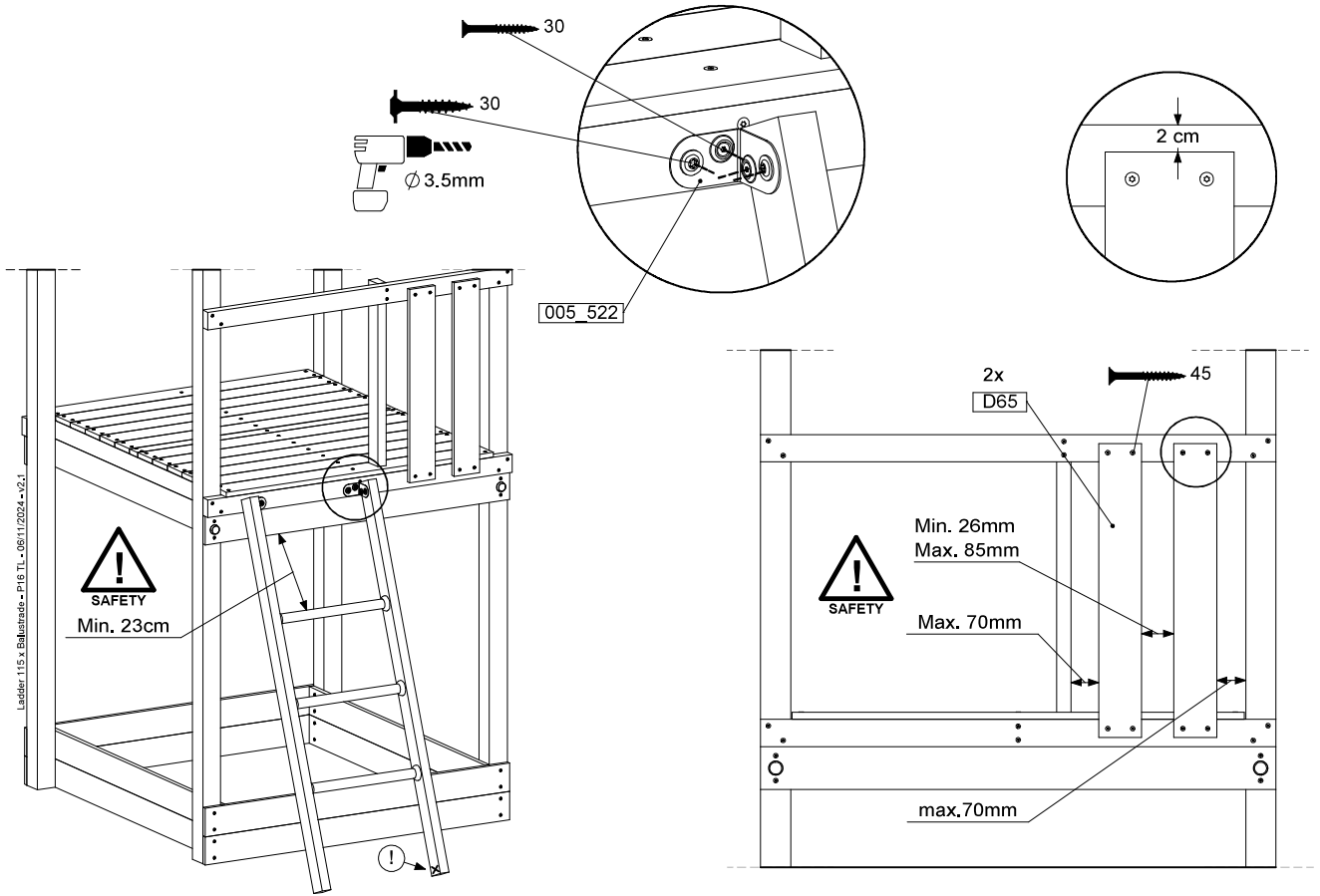
	PartNo	PartName	QTY.
Hardware + Parts	001_404	Stealth Screw 8x30	4
	002_219	Gap Point Screw T25 - 5x30	4
	002_220	Gap Point Screw T25 - 5x45	16
	002_223	Gap Point Screw T25 - 5x80	8
	005_03x	Ladder Rung Y/B/G/R	4
	005_522	Connection Bracket Mini Market	2
	022_835	Rung Cap	8
	120_102	Handgrip set (complete 2x)	1
Timber	C114	Beam 1140 mm	1
	C150	Beam 1500 mm	2
	C70	Beam 700 mm	1
	D65	Board 650 mm	2

Ladder 115 x Balustrade - P24 TC 145 - 08/11/2024 - v2.1



Ladder 115 x Balustrade - P07 145 - 08/11/2024 - v2.1



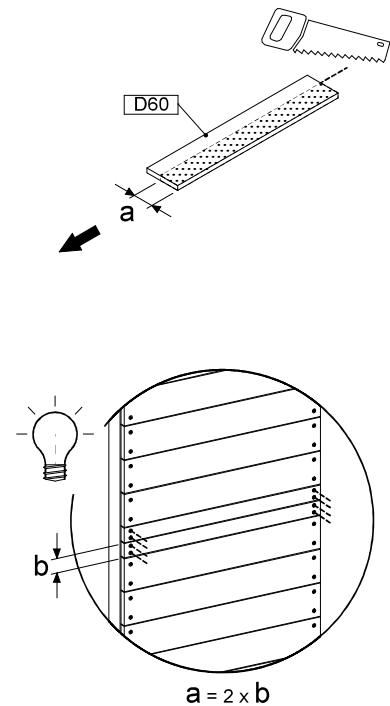
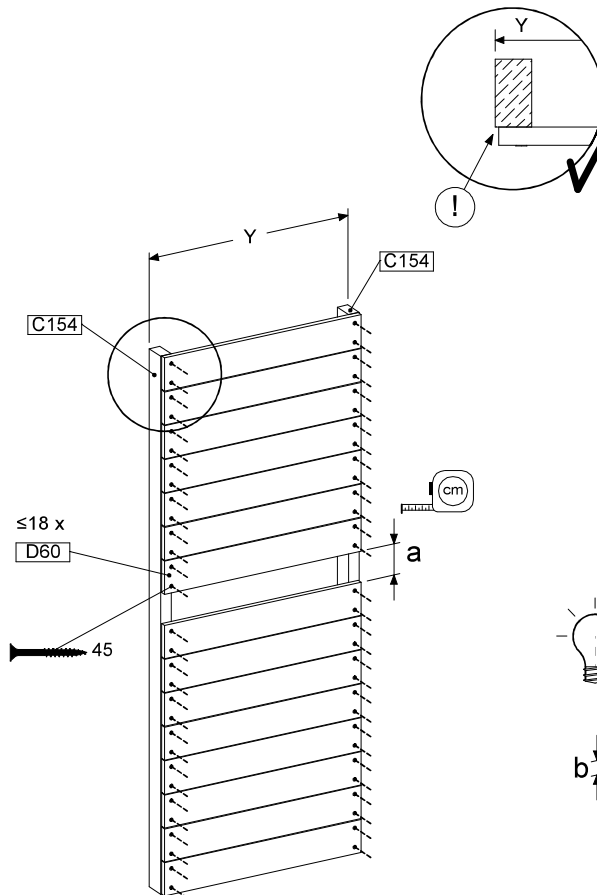
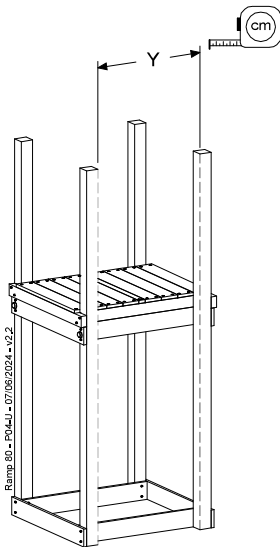
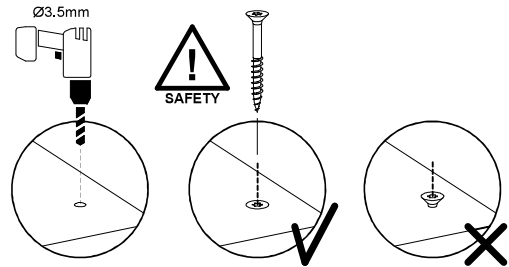
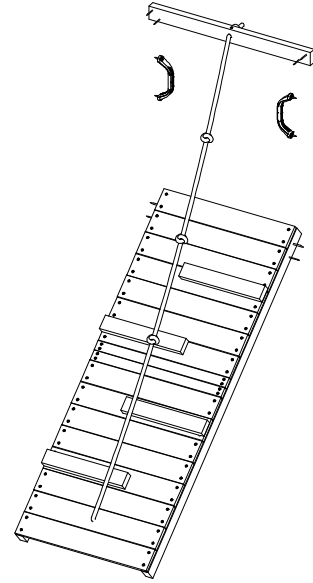


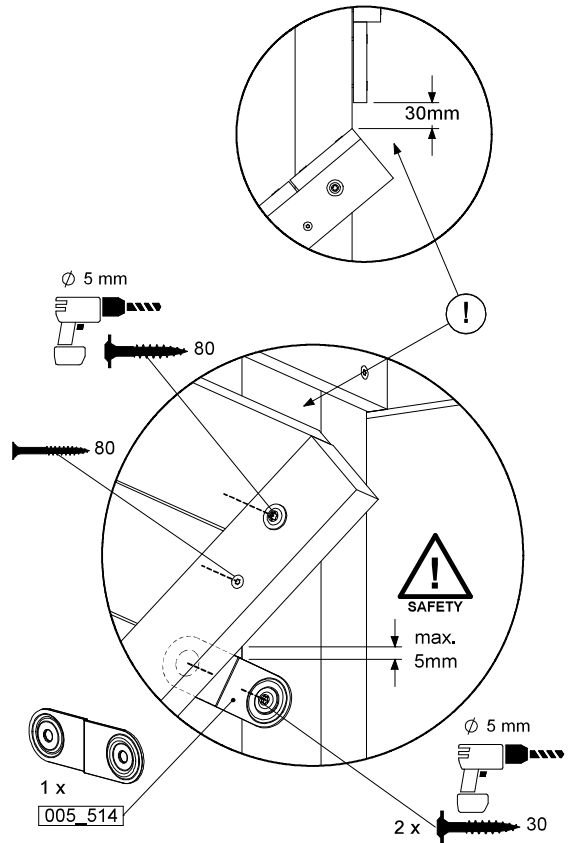
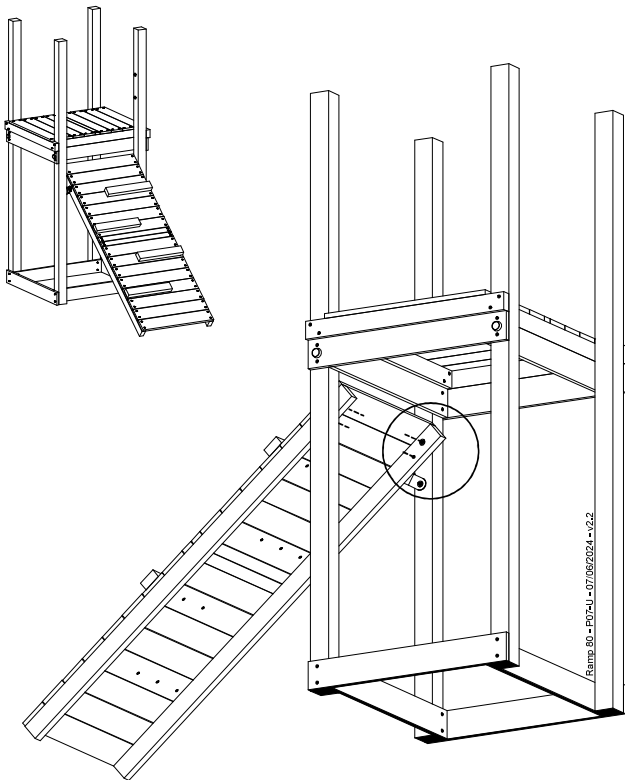
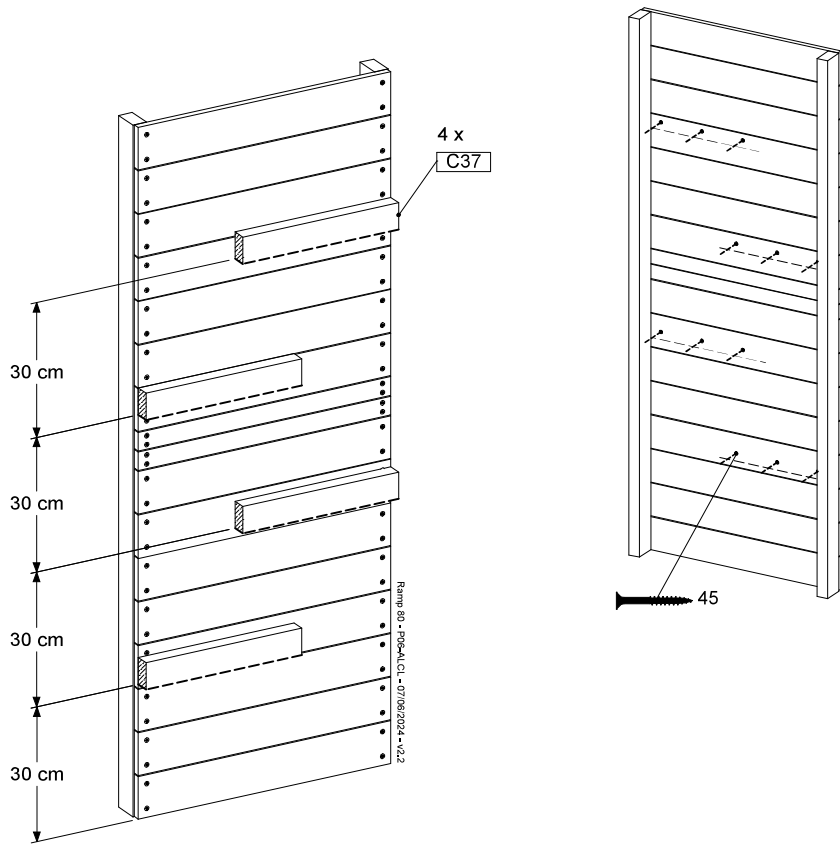
13 RA03a: Ramp 80 125 U

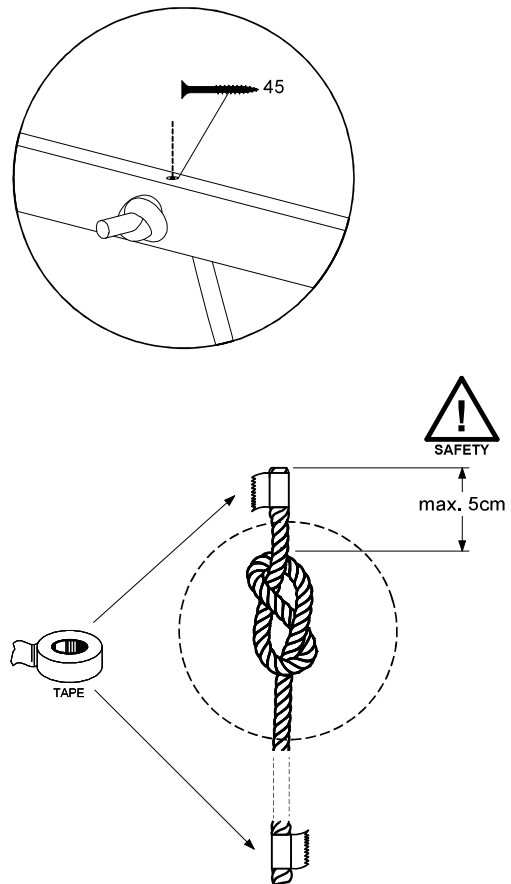
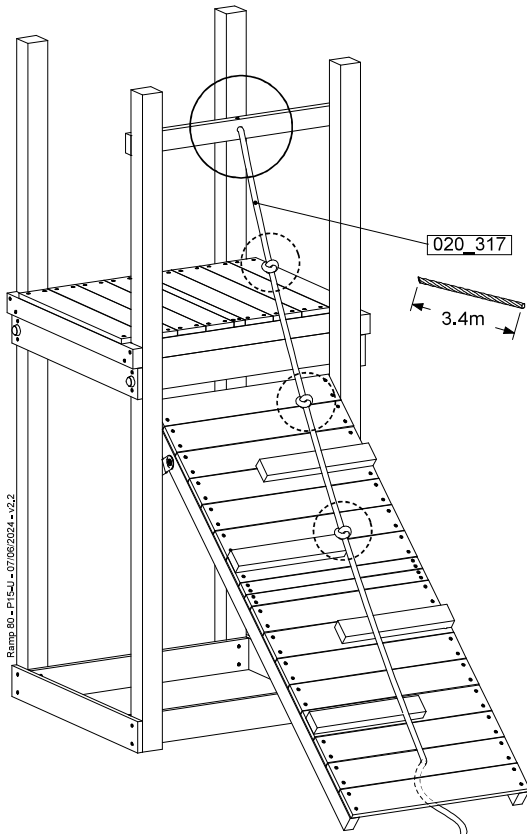
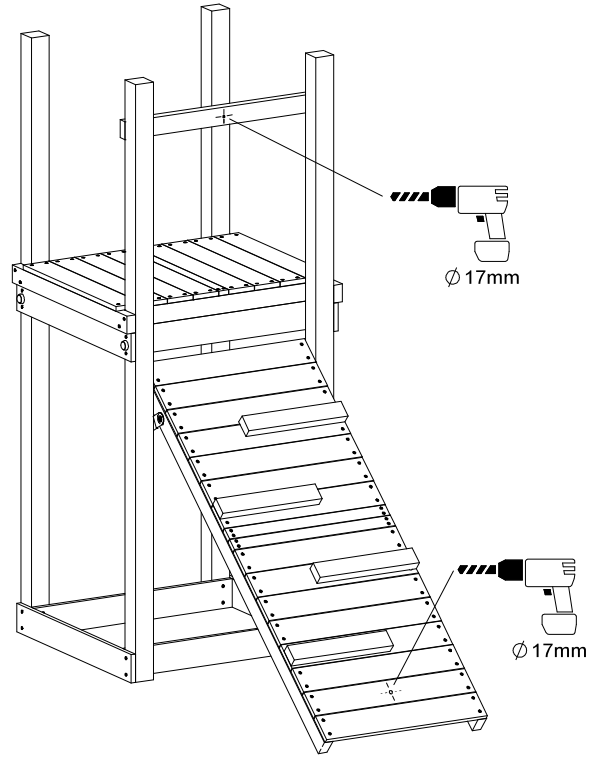
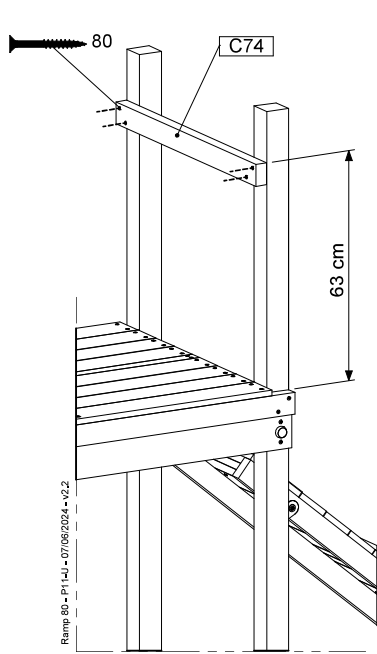
Assembly Pack: 194_008

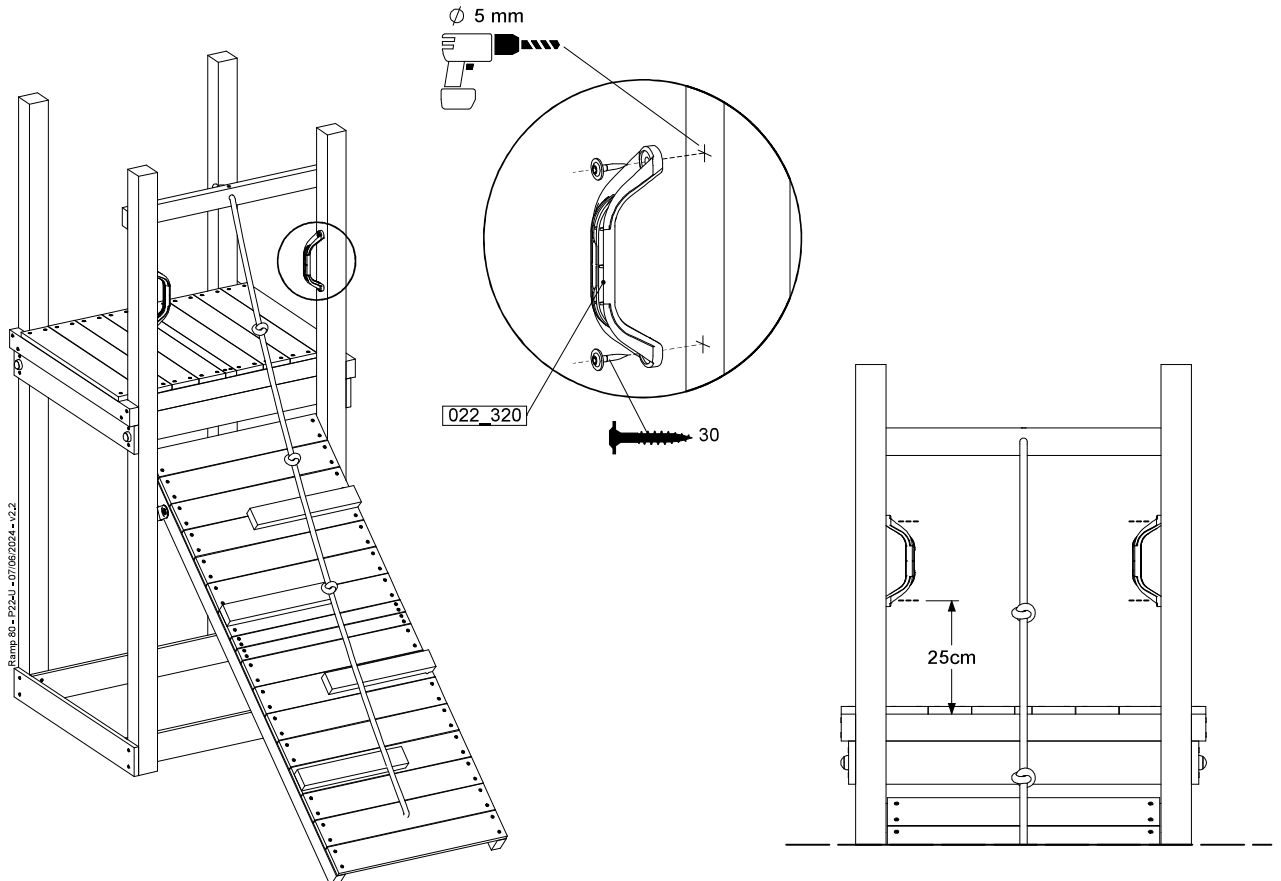
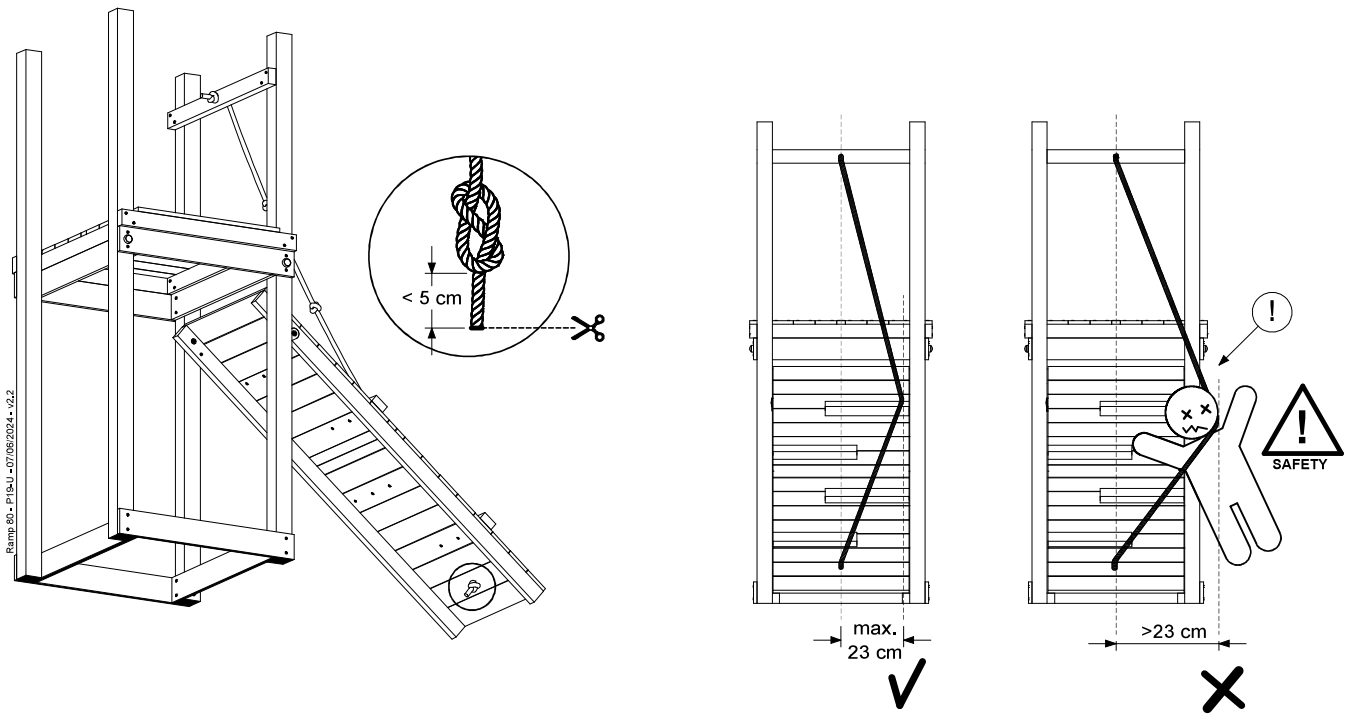
	PartNo	PartName	QTY.
Hardware + Parts	001_404	Stealth Screw 8x30	2
	001_417	Stealth Screw 8x80	2
	002_220	Gap Point Screw T25 - 5x45	85
	002_223	Gap Point Screw T25 - 5x80	6
	005_514	Ladder Bracket	1
	020_317	Rope Polyester 16mm Green 3.4m	1
	120_102	Handgrip set (2x Complete)	1
Timber	C37	Beam 370 mm	4
	C74	Beam 740 mm	1
	C154	Beam 1540 mm	2
	D60	Board 600 mm	18

Ramp 80 - P03-U - 07/06/2024 - v0.2







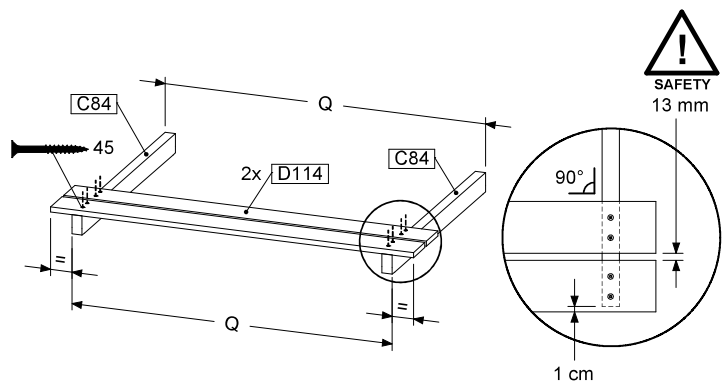
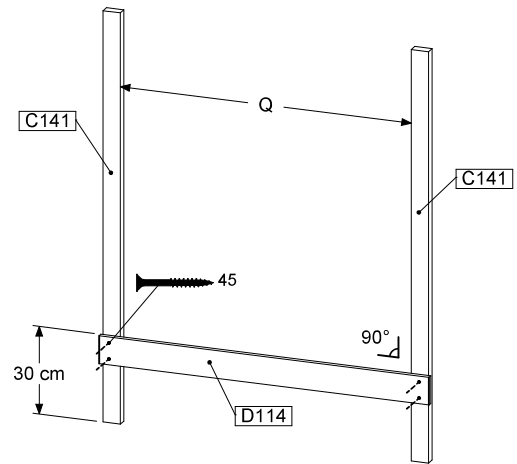
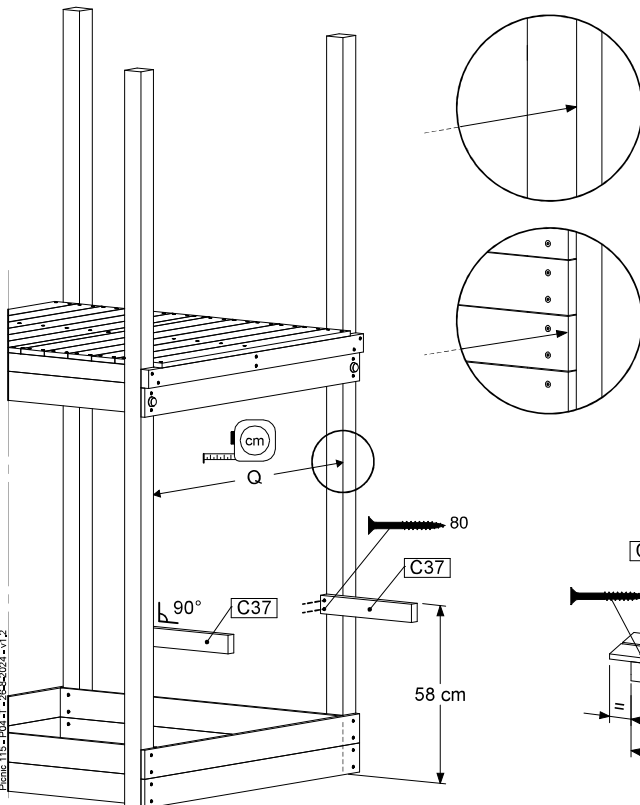
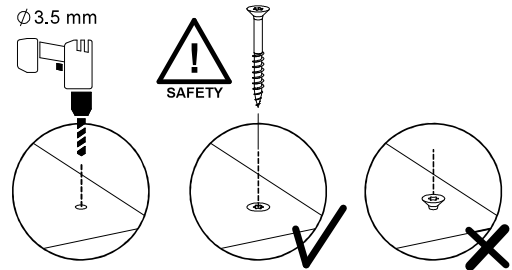
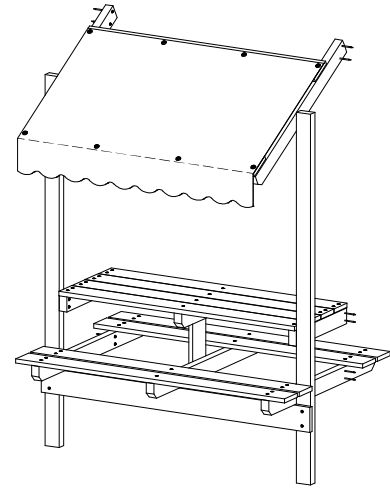


14 PC06a: Picnic 115 T

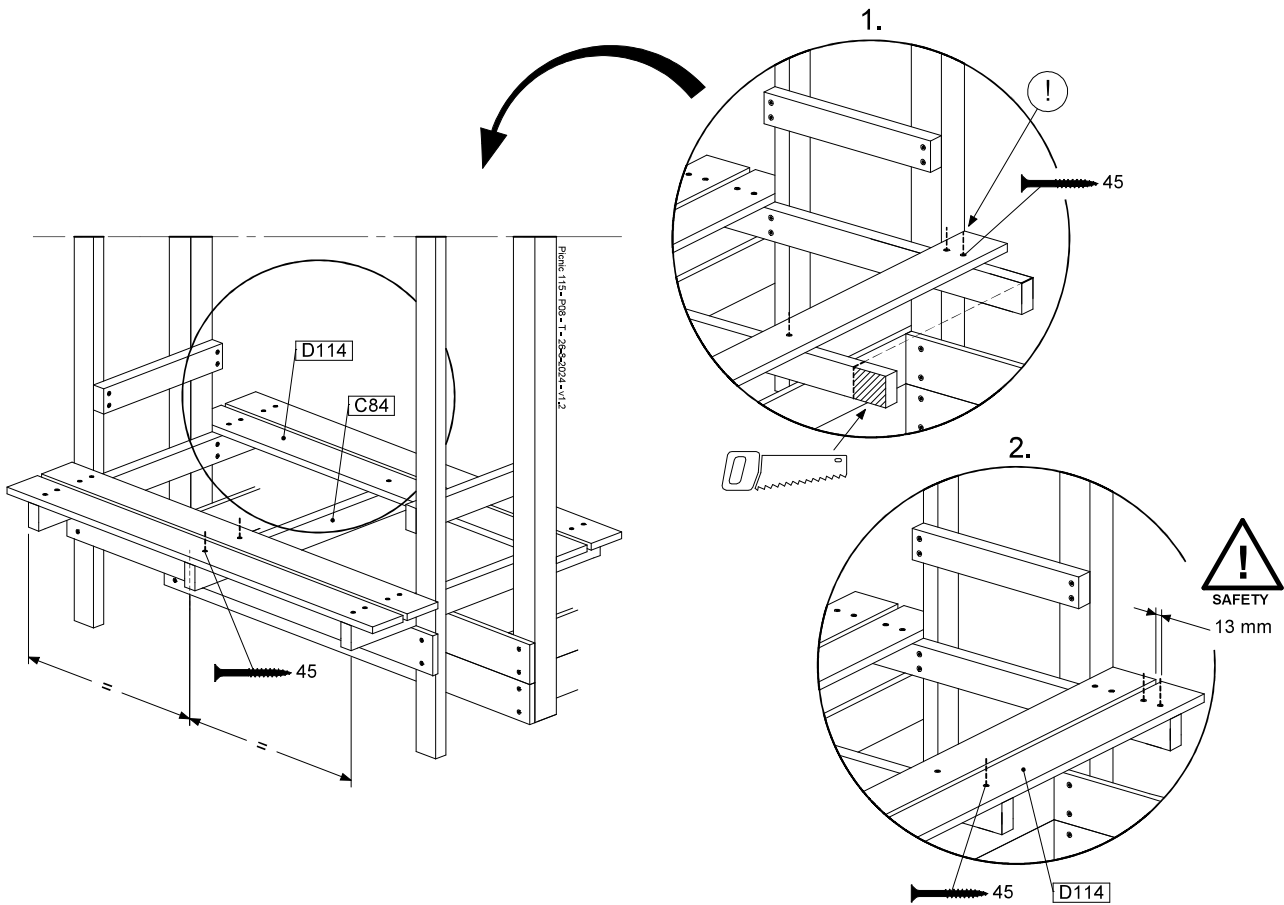
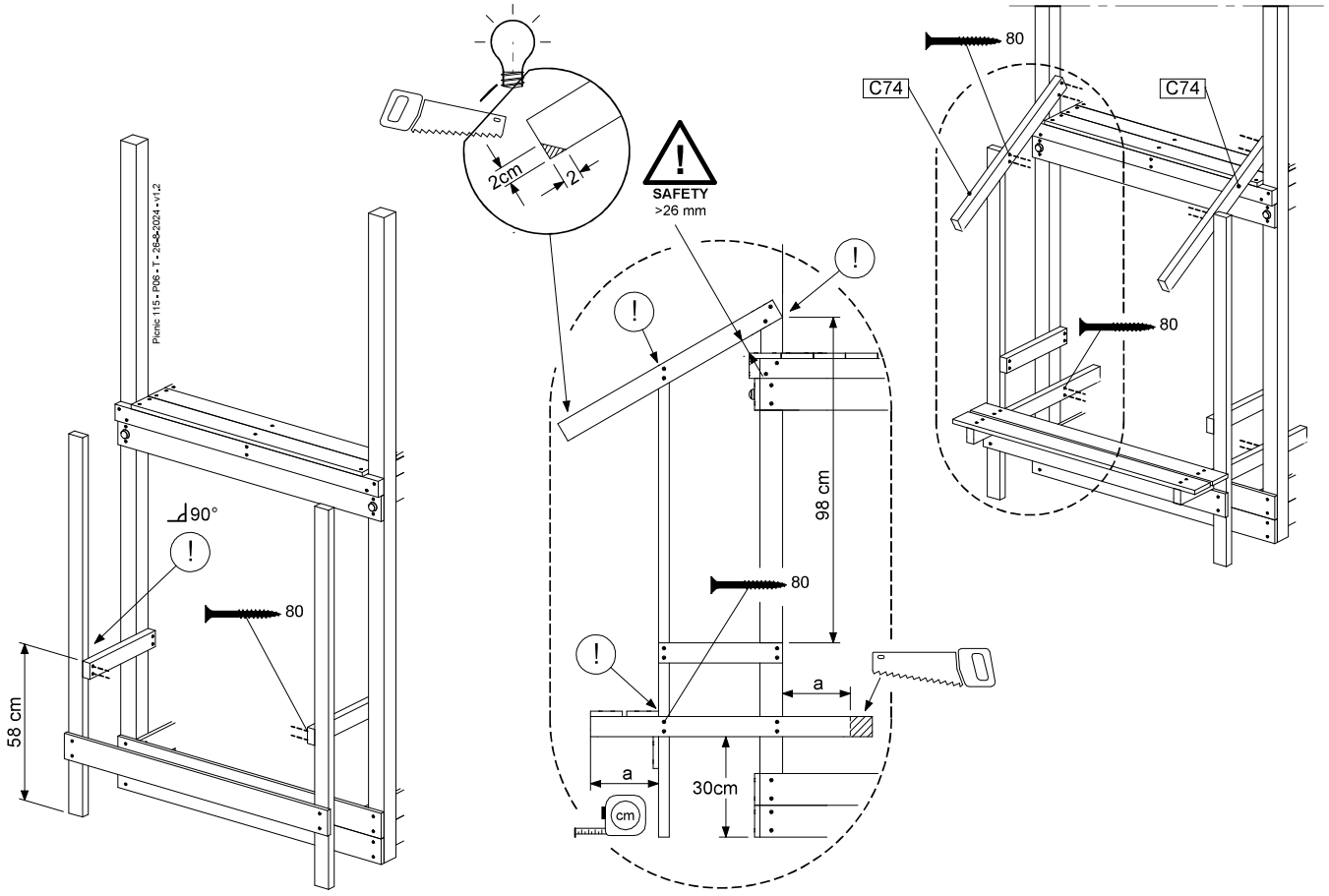
Assembly Pack: 194_810

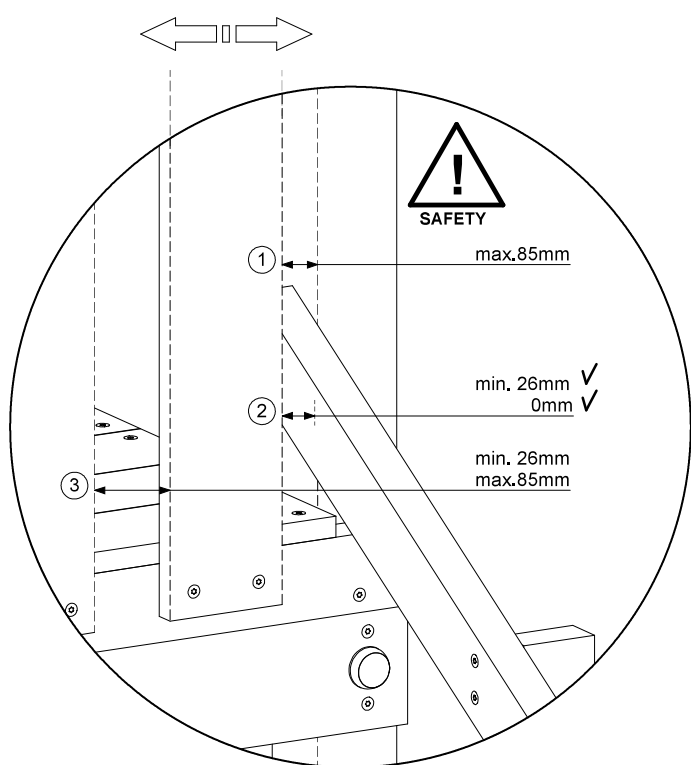
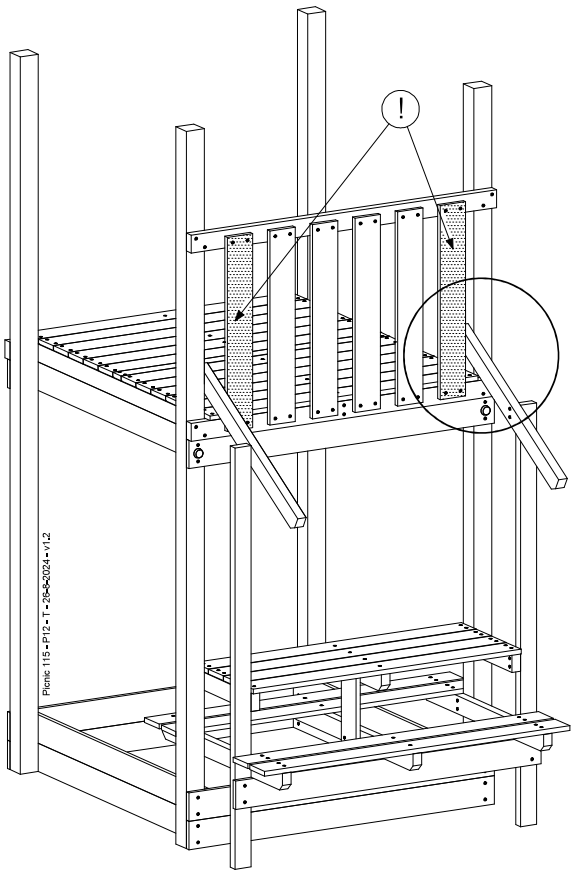
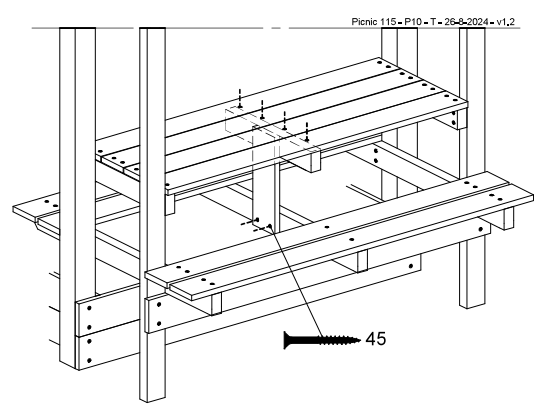
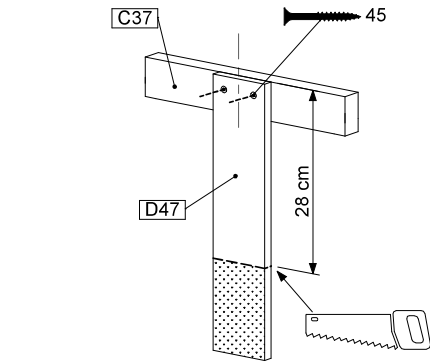
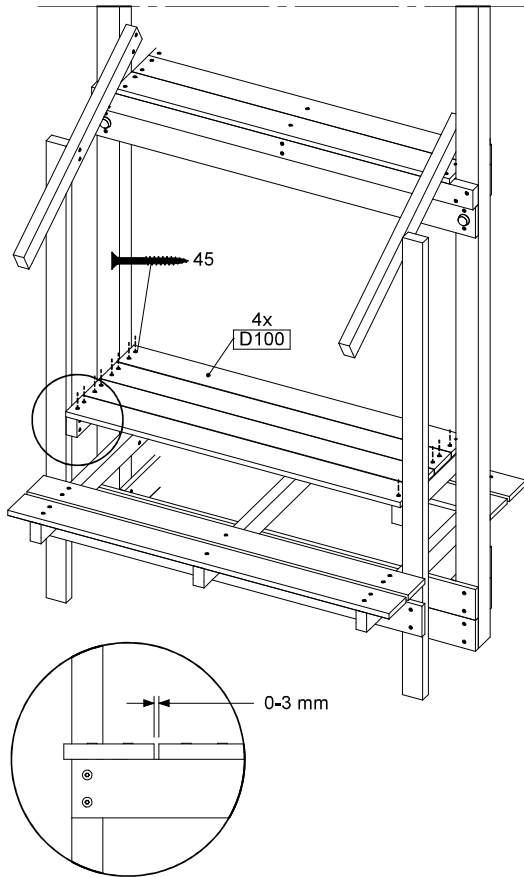
	PartNo	PartName	QTY.
Hardware + Parts	002_220	Gap Point Screw T25 - 5x45	56
	002_223	Gap Point Screw T25 - 5x80	24
	002_308	Gap Point Screw T25 - 5x20	8
	023_031	Finishing Washer GPS 5.0	8
	123_220	Canvas sheet 735x1365mm	1
Timber	C37	Beam 370 mm	3
	C74	Beam 740 mm	2
	C84	Beam 840 mm	3
	C141	Beam 1410 mm	2
	D47	Board 470 mm	1
	D100	Board 1000 mm	6
	D114	Board 1140 mm	5

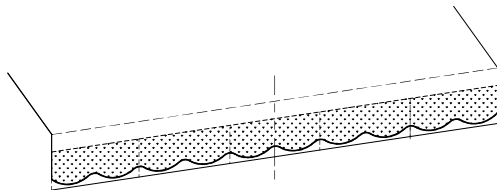
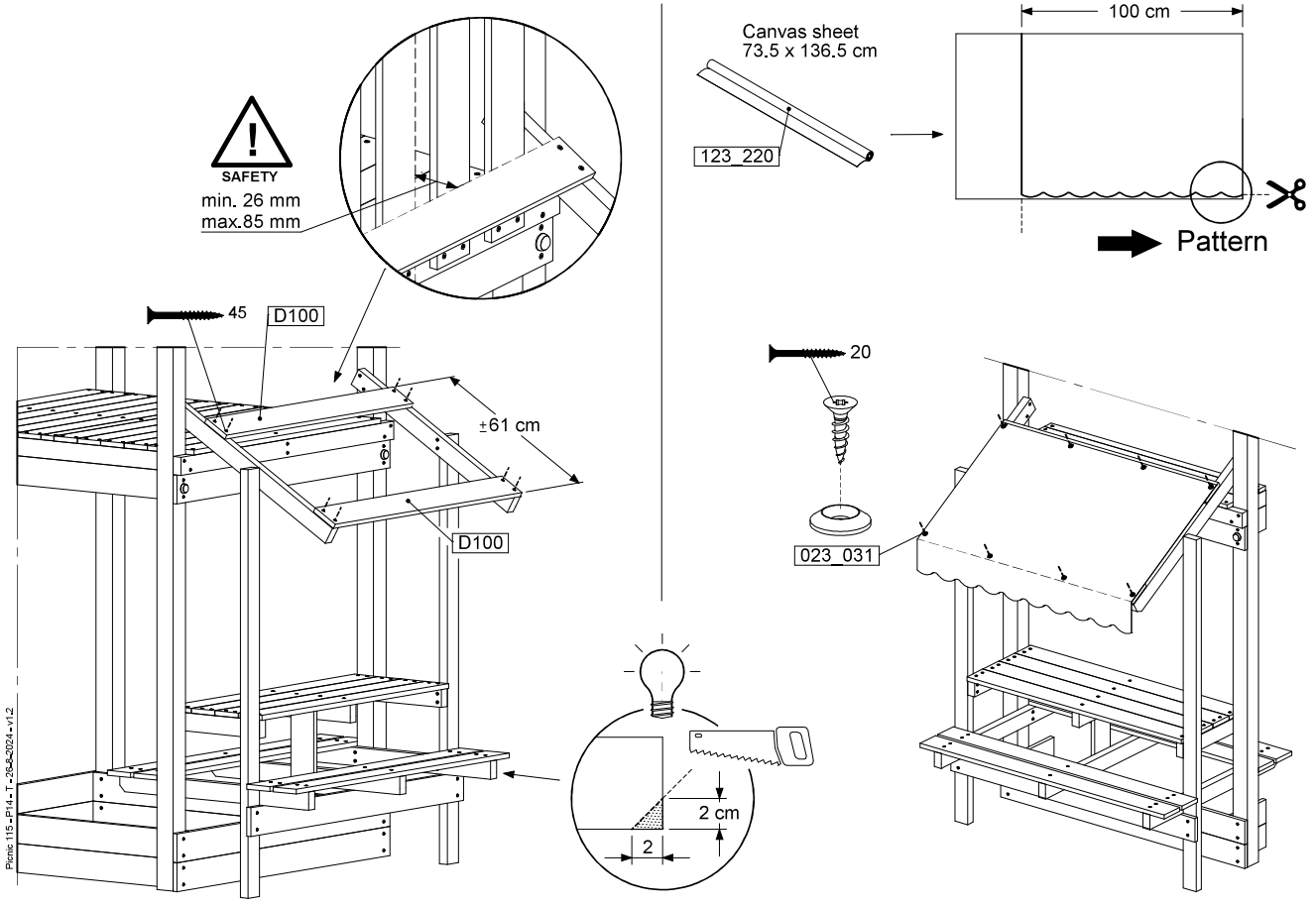
Picture 115-P02-UJT-265-0204-v1.2



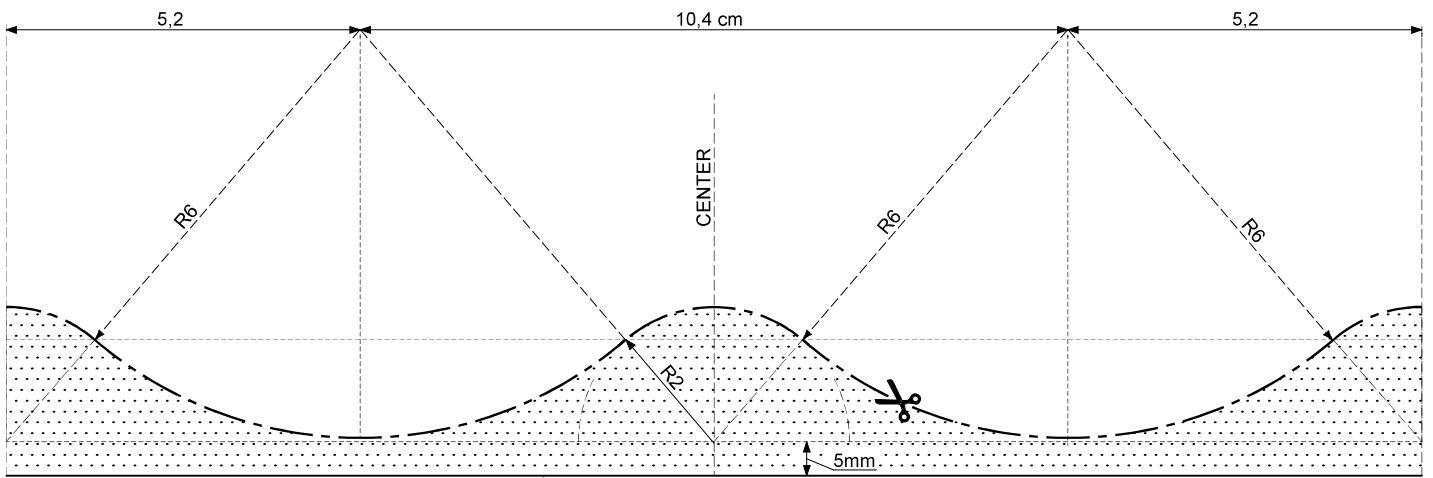
14.1







EXAMPLE PATTERN
BEISPIELVORLAGE FÜR MARKISE
SCHÉMA SUGGÉRÉ DE DÉCOUPE POUR AUVENT
VOORBEELDSJABLOON LUIFEL



repeat

repeat

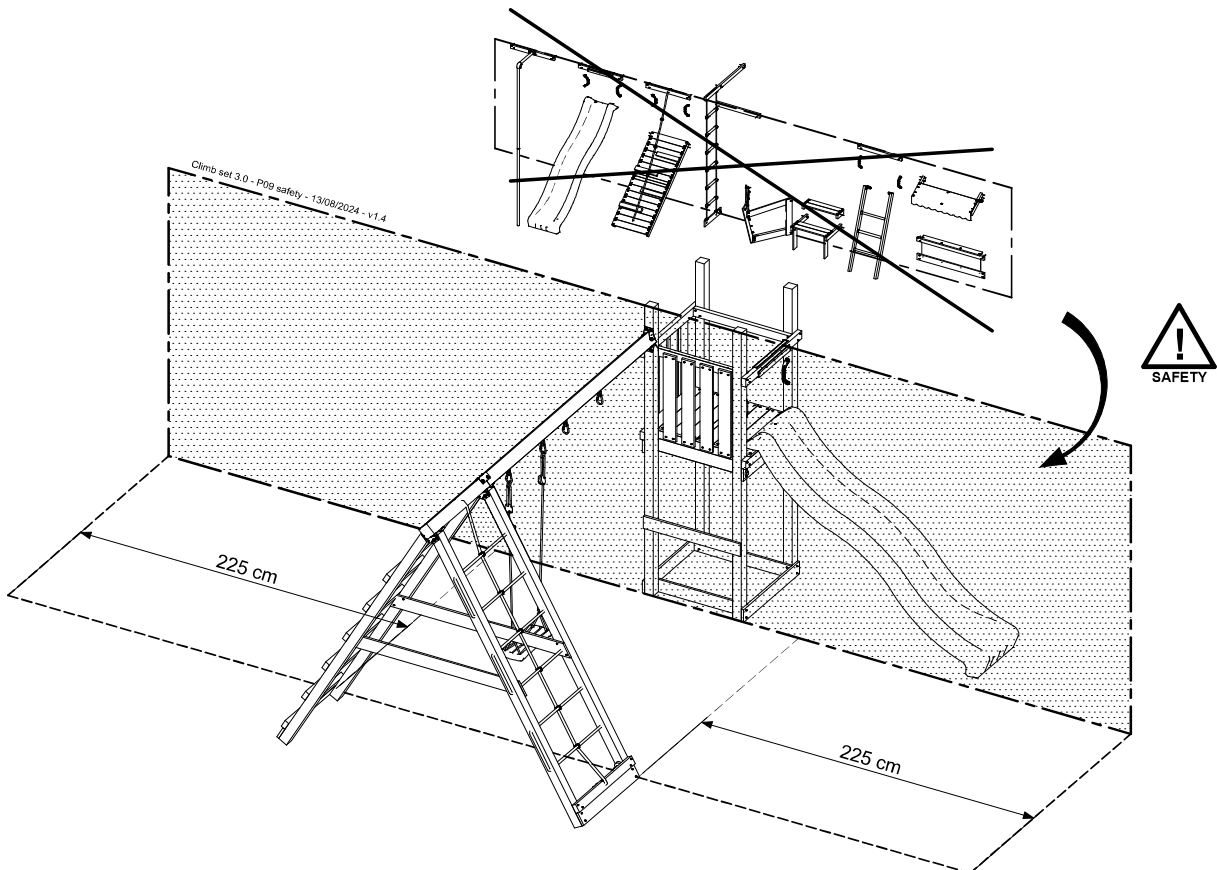
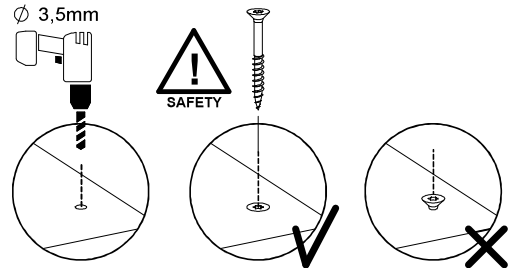
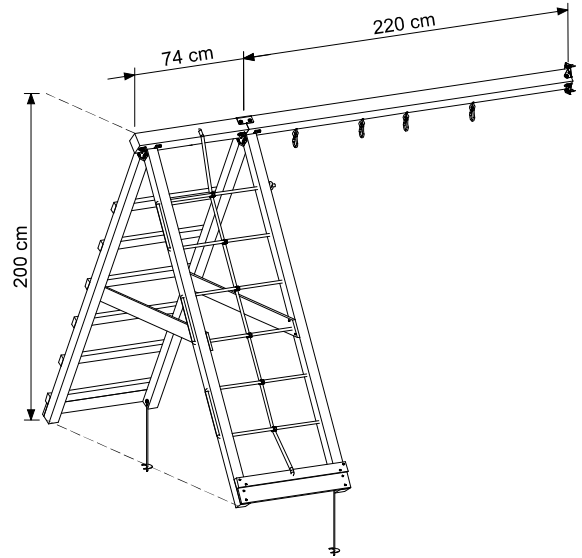
! Scale of print may not be accurate.
Druckformat kann abweichen.
Les tailles imprimées peuvent varier.
Printformaat kan afwijken.

15 CL06a: 2- Climb Module 200 - 3.0

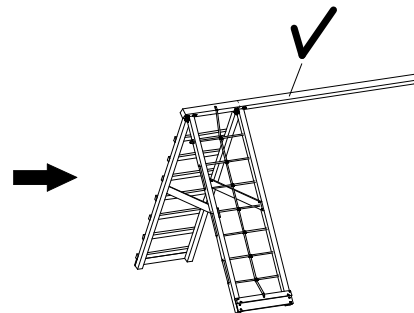
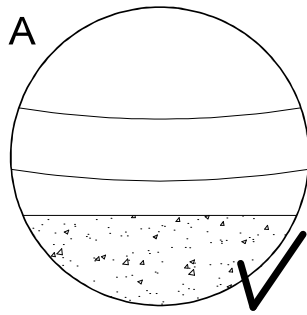
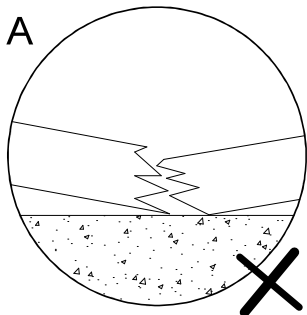
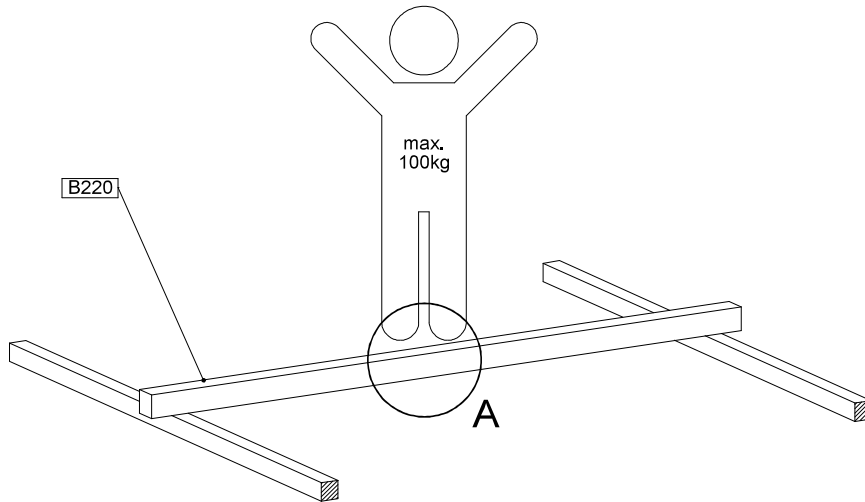
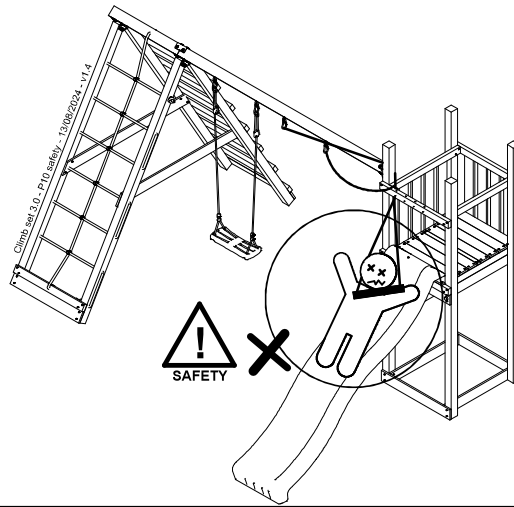
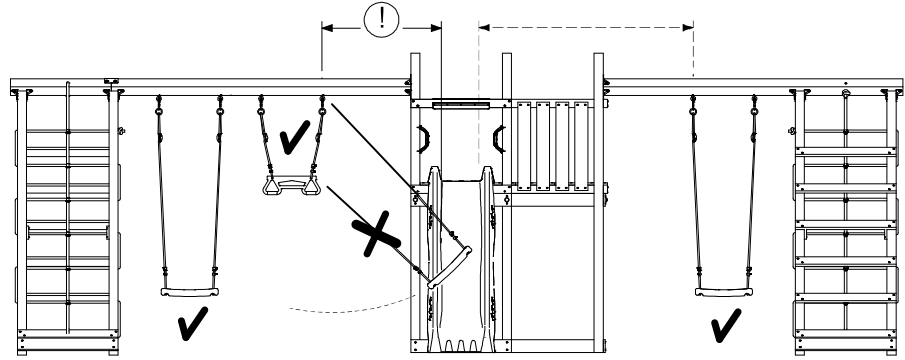
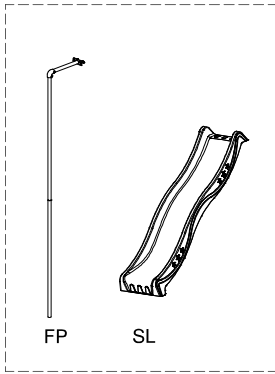
Assembly Kit: 457_107

	PartNo	PartName	QTY.
Hardware + Parts	001_404	Stealth Screw 8x30	4
	001_406	Stealth Screw 8x45	34
	001_417	Stealth Screw 8x80	2
	002_220	Gap Point Screw T25 - 5x45	34
	002_223	Gap Point Screw T25 - 5x80	31
	002_301	Dry Wall Screw PH2 3.9 x 40 mm	6
	023_042	Nylon washer 9x19x1.5	36
	005_096	A-Frame V-Connector	4
	005_097	Swing V-Connector	2
	005_099	Climber Top Connector	1
	007_001	Ground-anchor	2
	020_317	Rope Polyester 16mm Green 3.4m	1
	020_318	Rope Polyester 16mm Green 8.1m	1
	022_455	Rope Cross Connector Egg	6
101_003	Swing hook with Carabiner	4	
Timber	A220	Post ca.70x70 L2200	4
	B74	Post ca.90x90 L740	1
	B220	Post ca.90x90 L2200	1
	C74	Beam 740 mm	7
	D74	Board 740 mm	2
	D141	Board 1410 mm	3

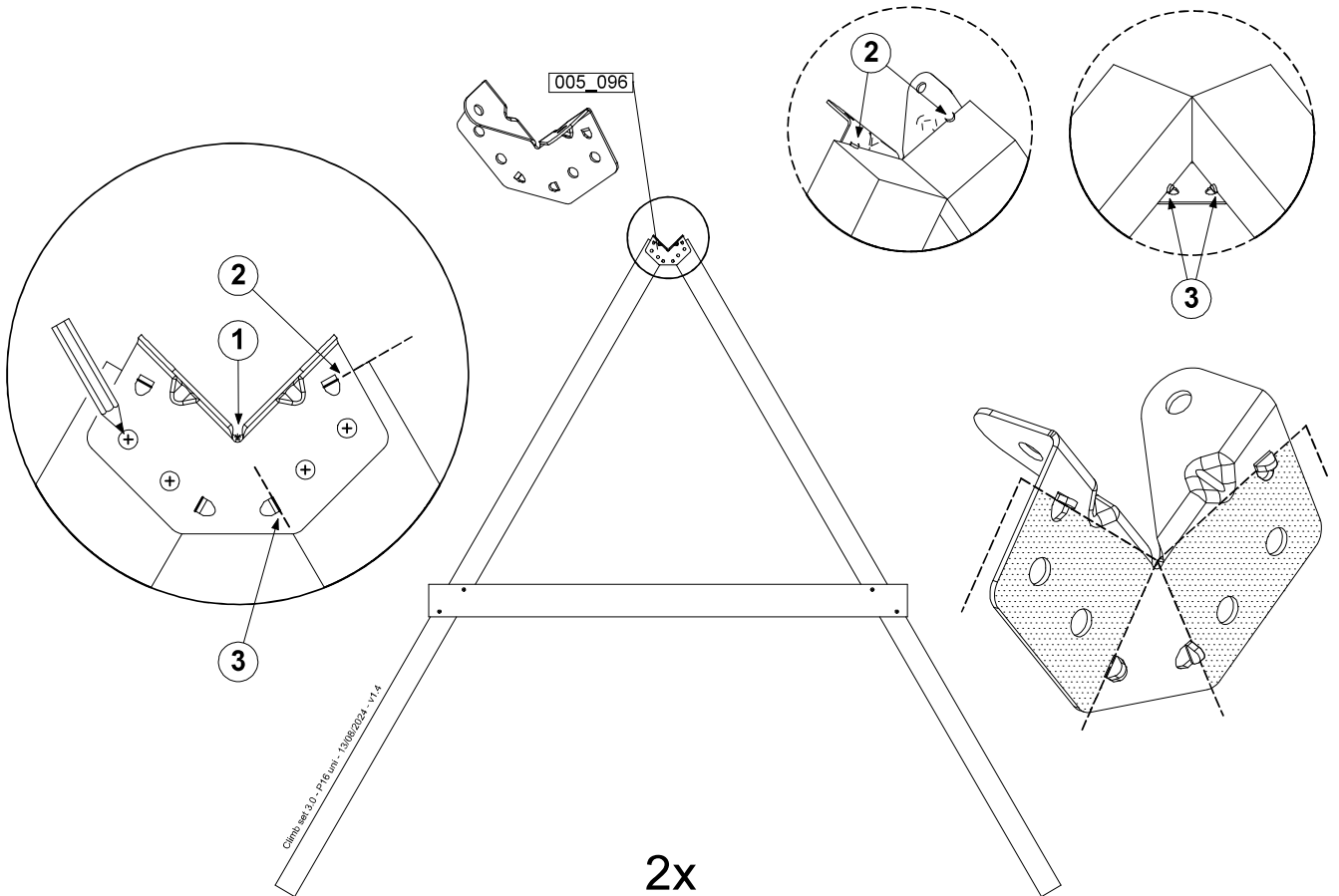
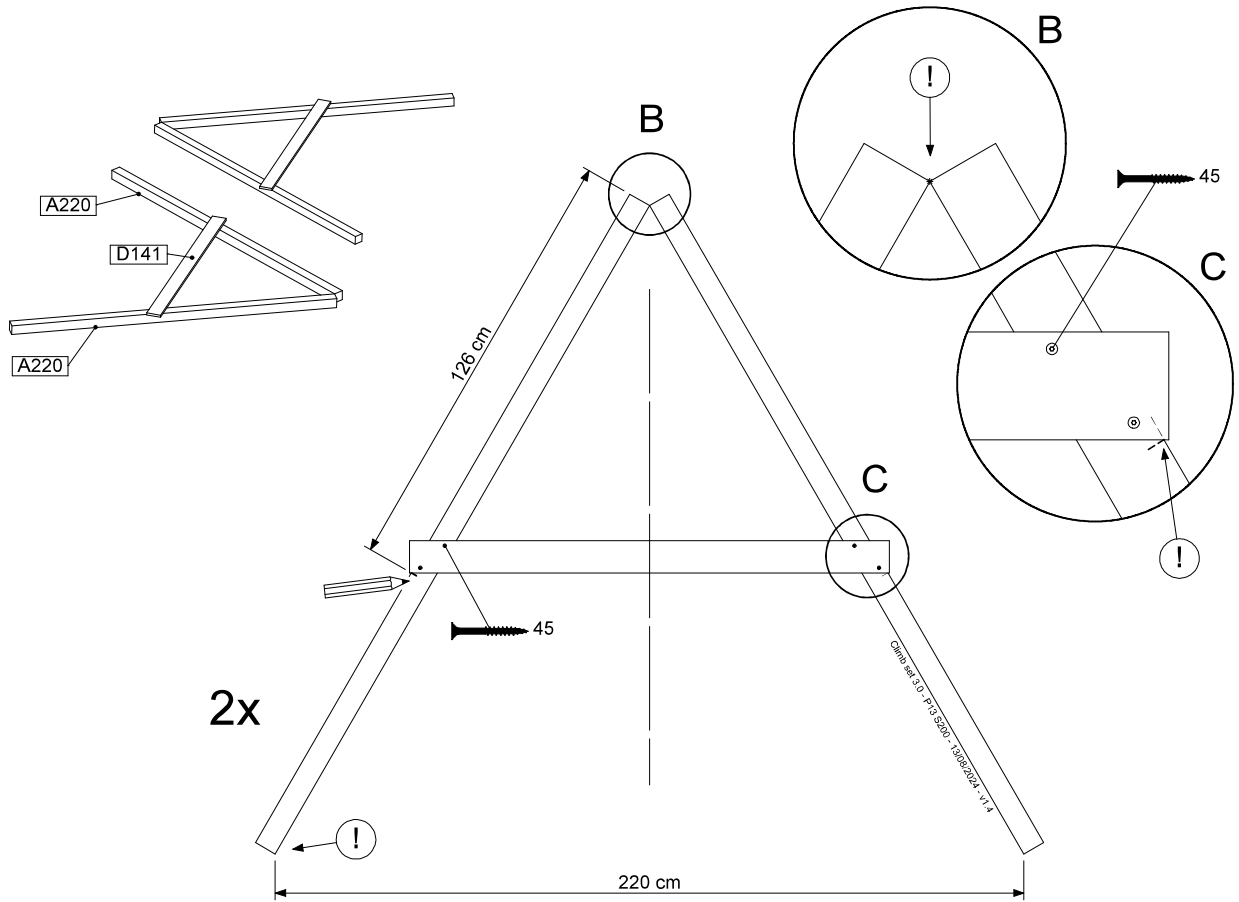
Climb set 3.0 - P04_2C200 - 13/08/2024 - v1.4

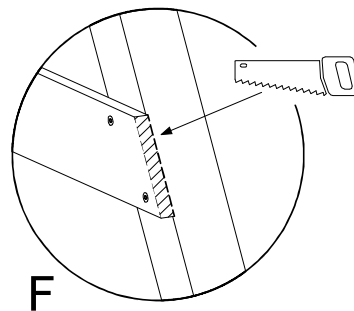
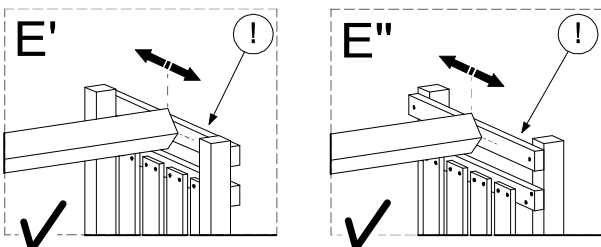
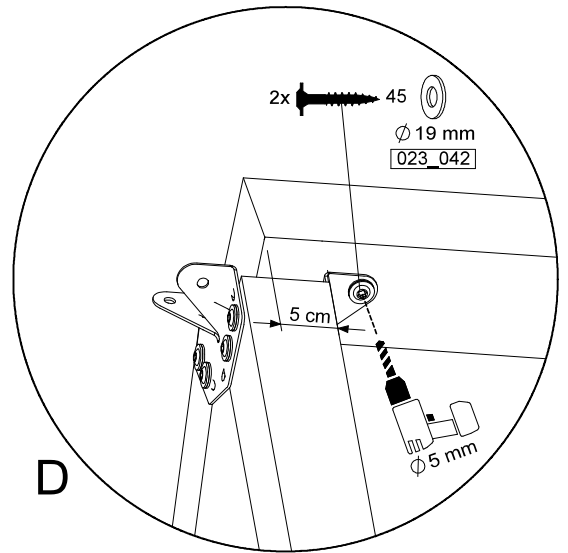
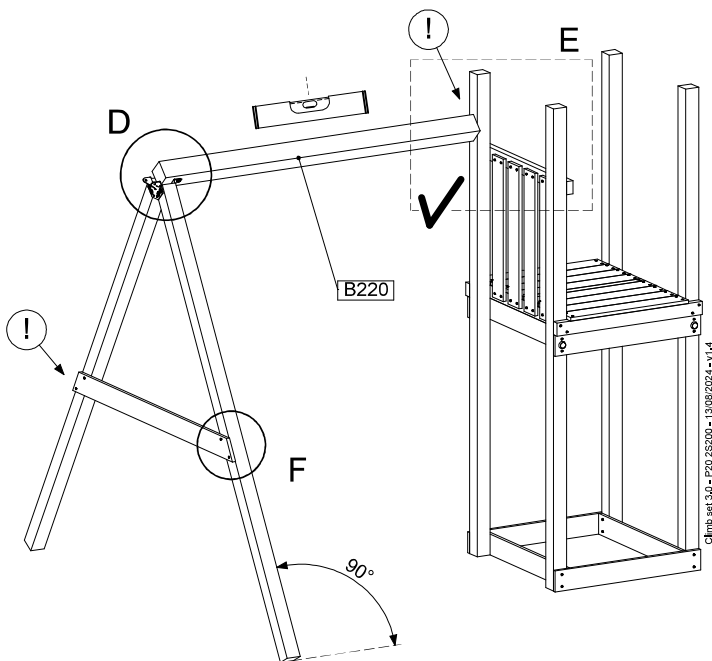
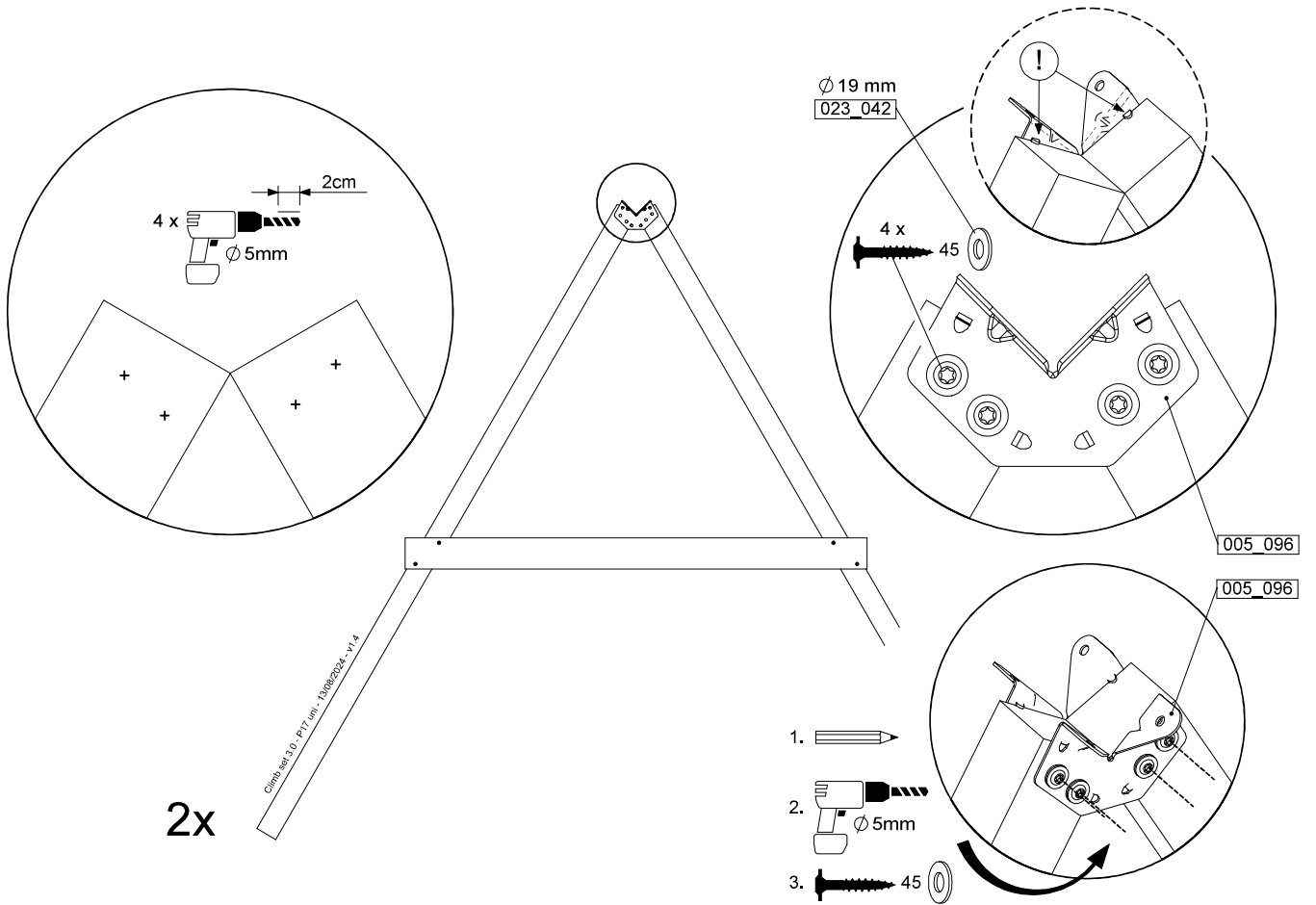


15.1



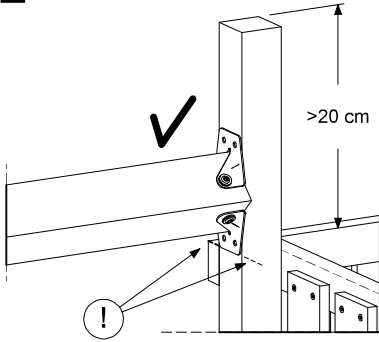
Climb set 3.0 - P10 safety - 13/08/2024 - v1.4



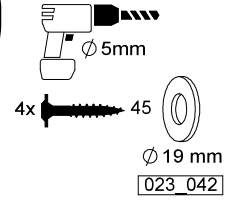
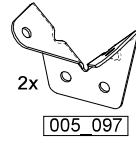
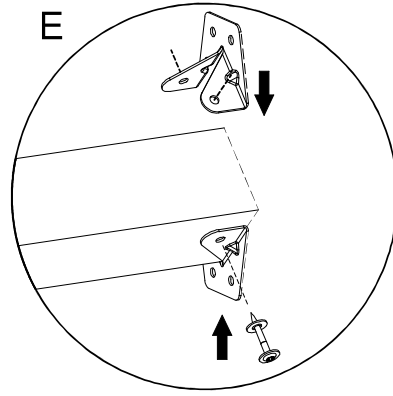


15.4

E

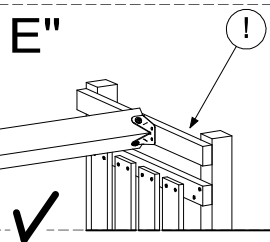
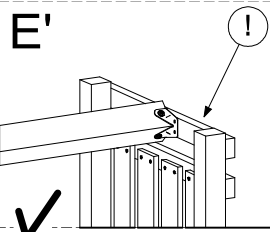
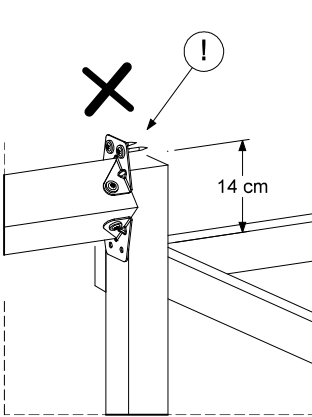


E

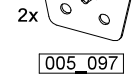
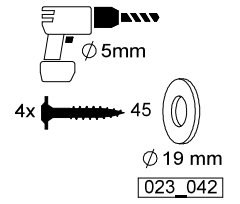
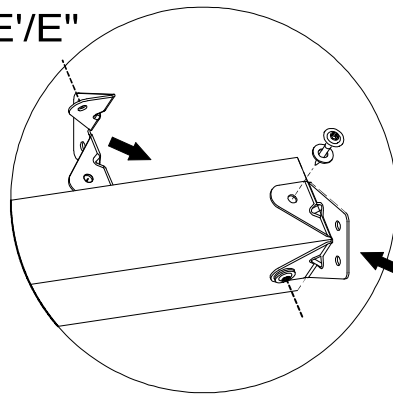


Climb set 3,0 - P22 uni - 13/08/2024 - v1,4

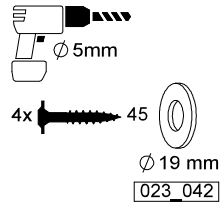
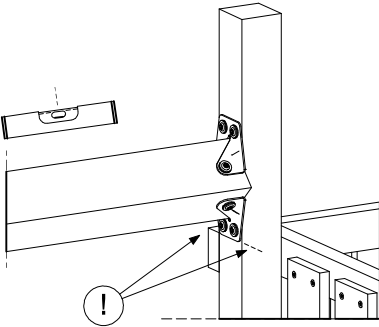
E'/E''



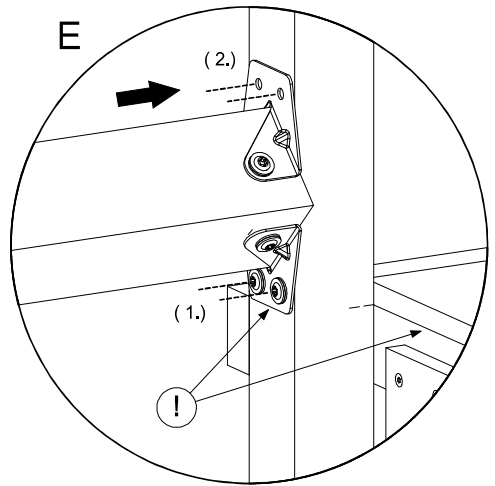
E'/E''



E

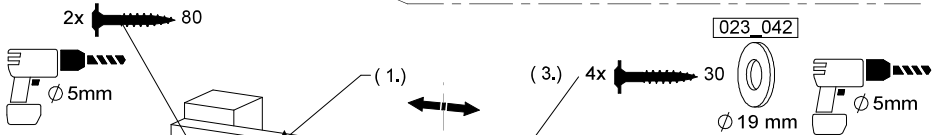
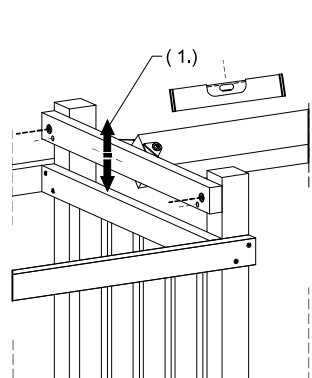


E



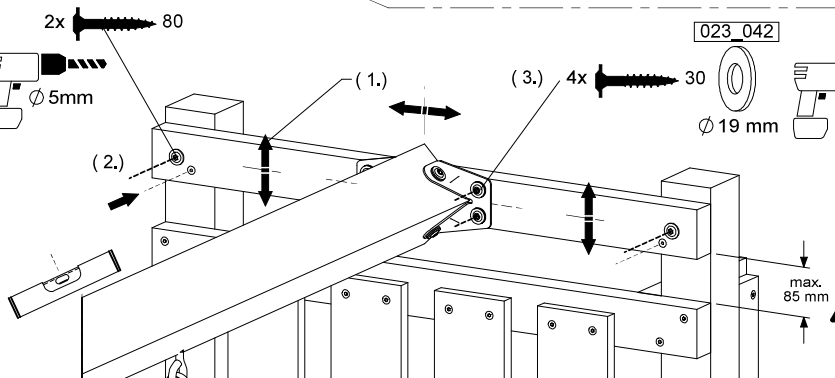
Climb set 3,0 - P23 uni - 13/08/2024 - v1,4

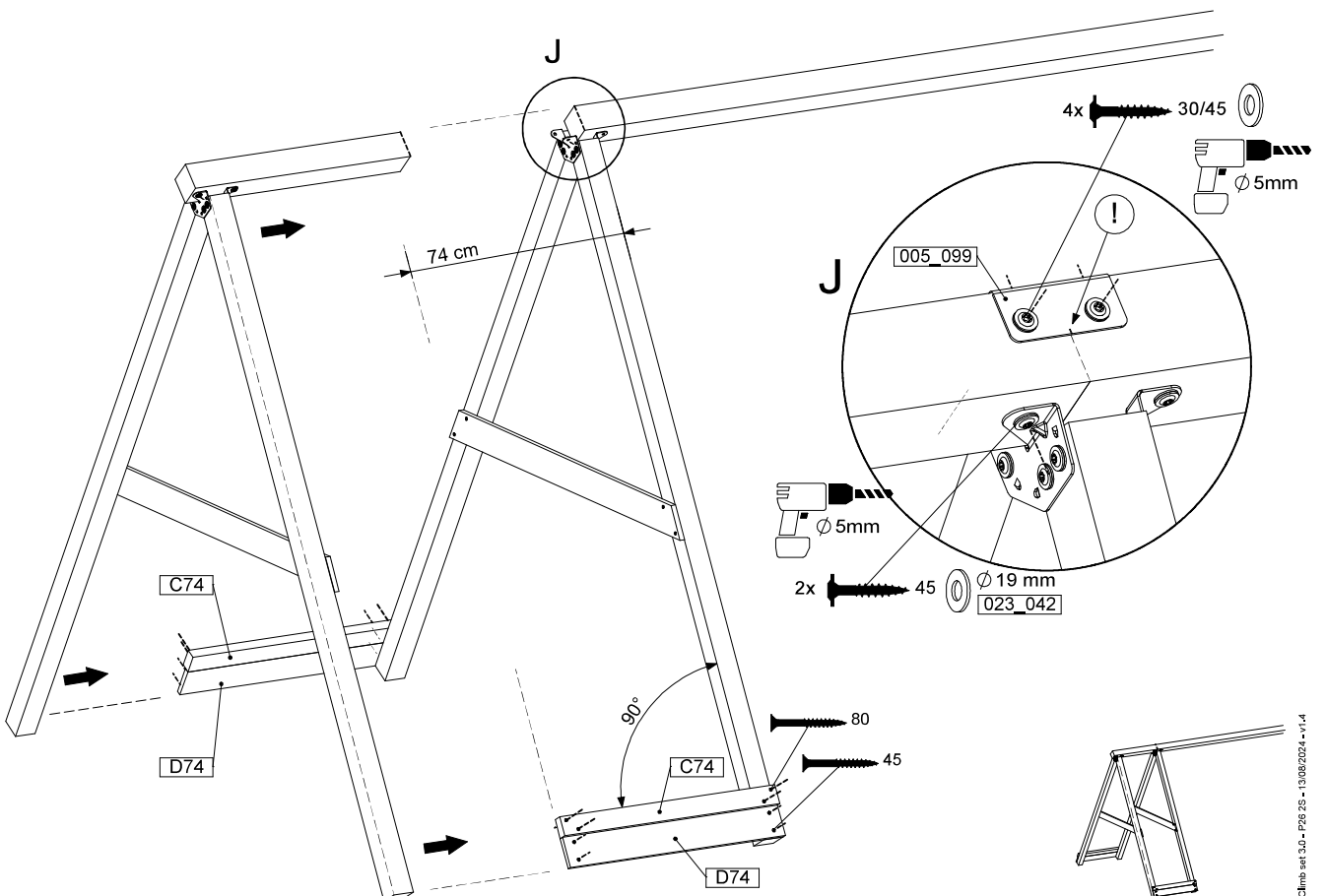
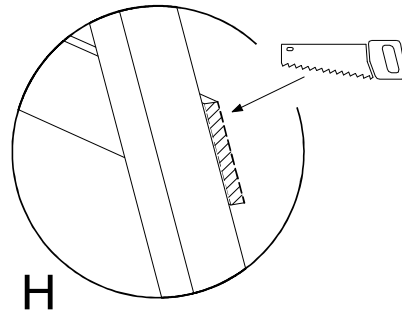
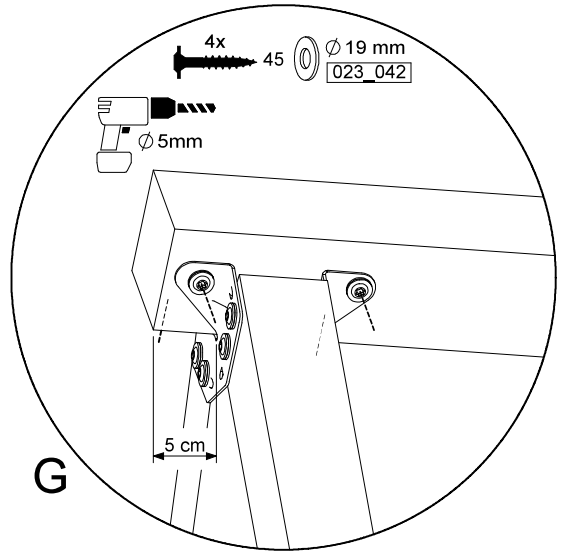
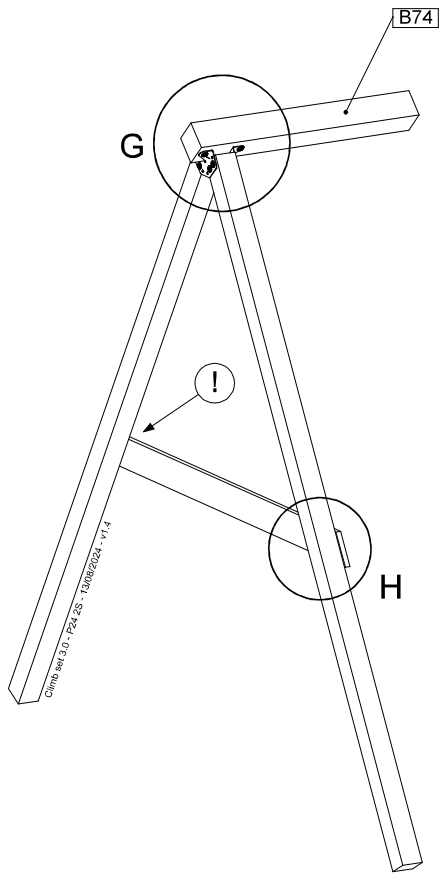
E'/E''

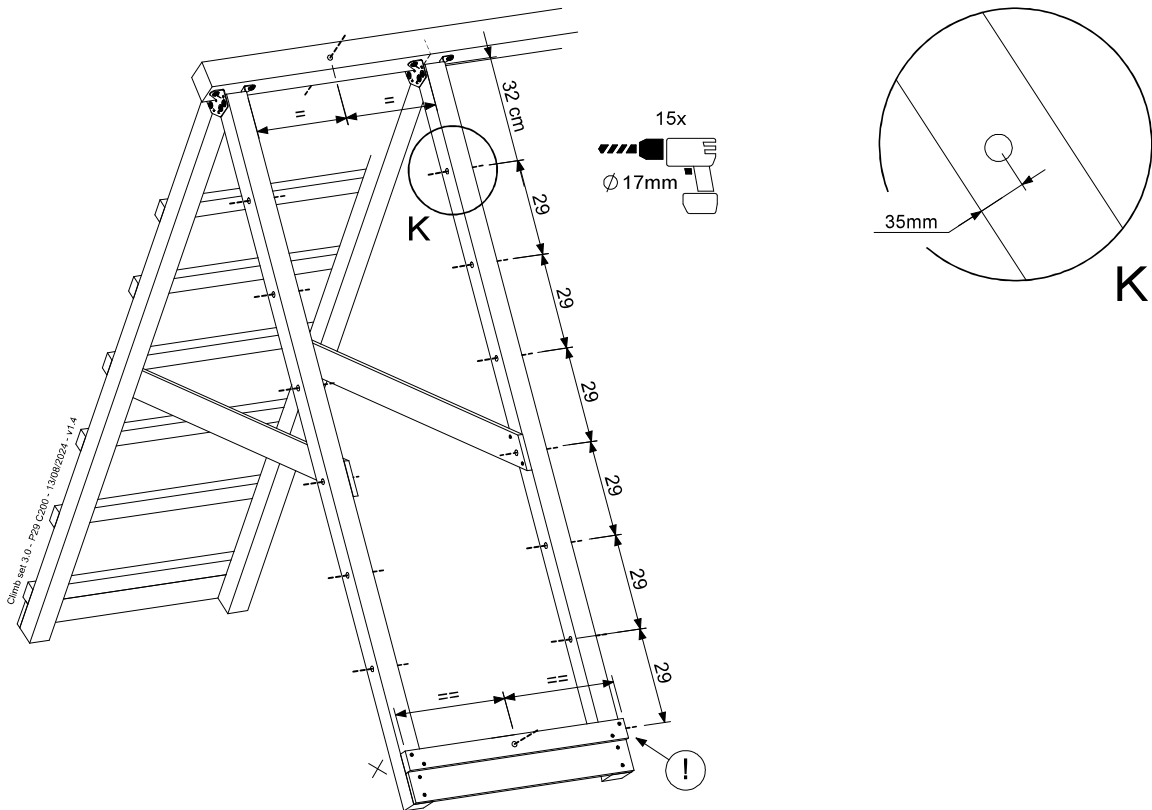
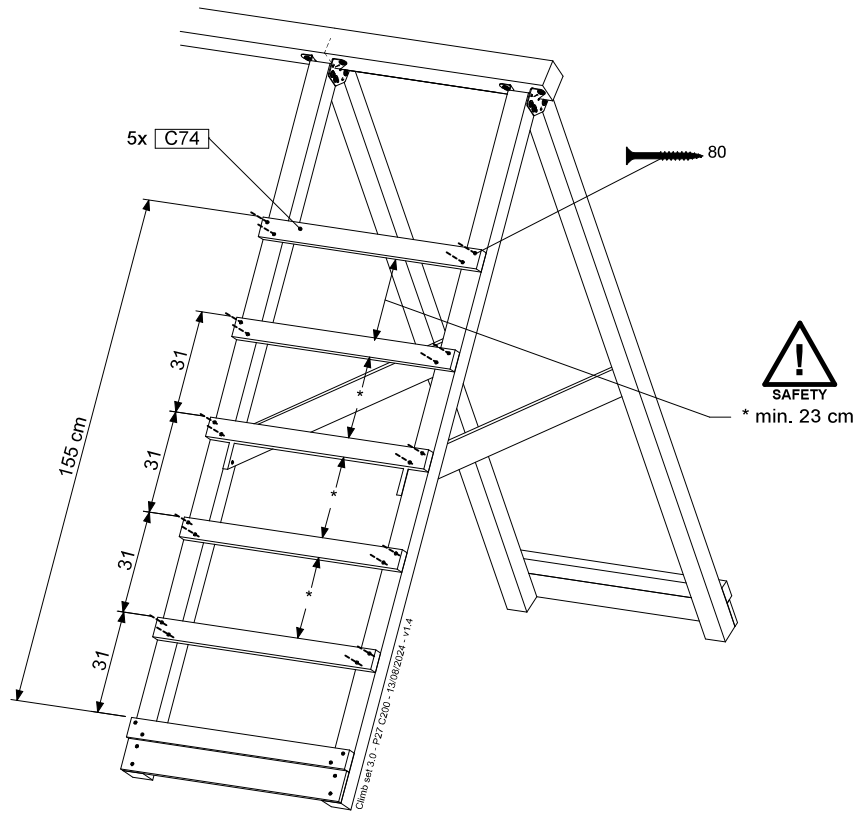


E'

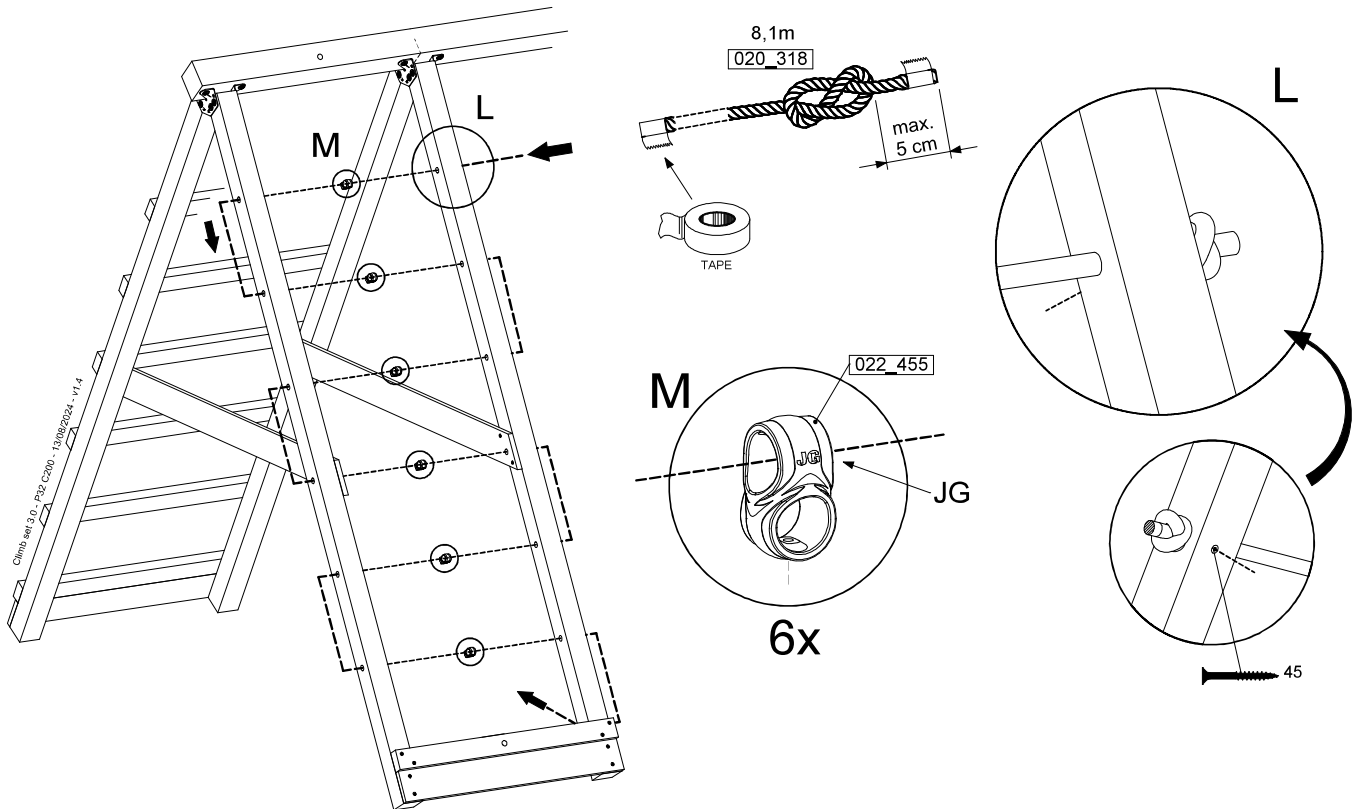
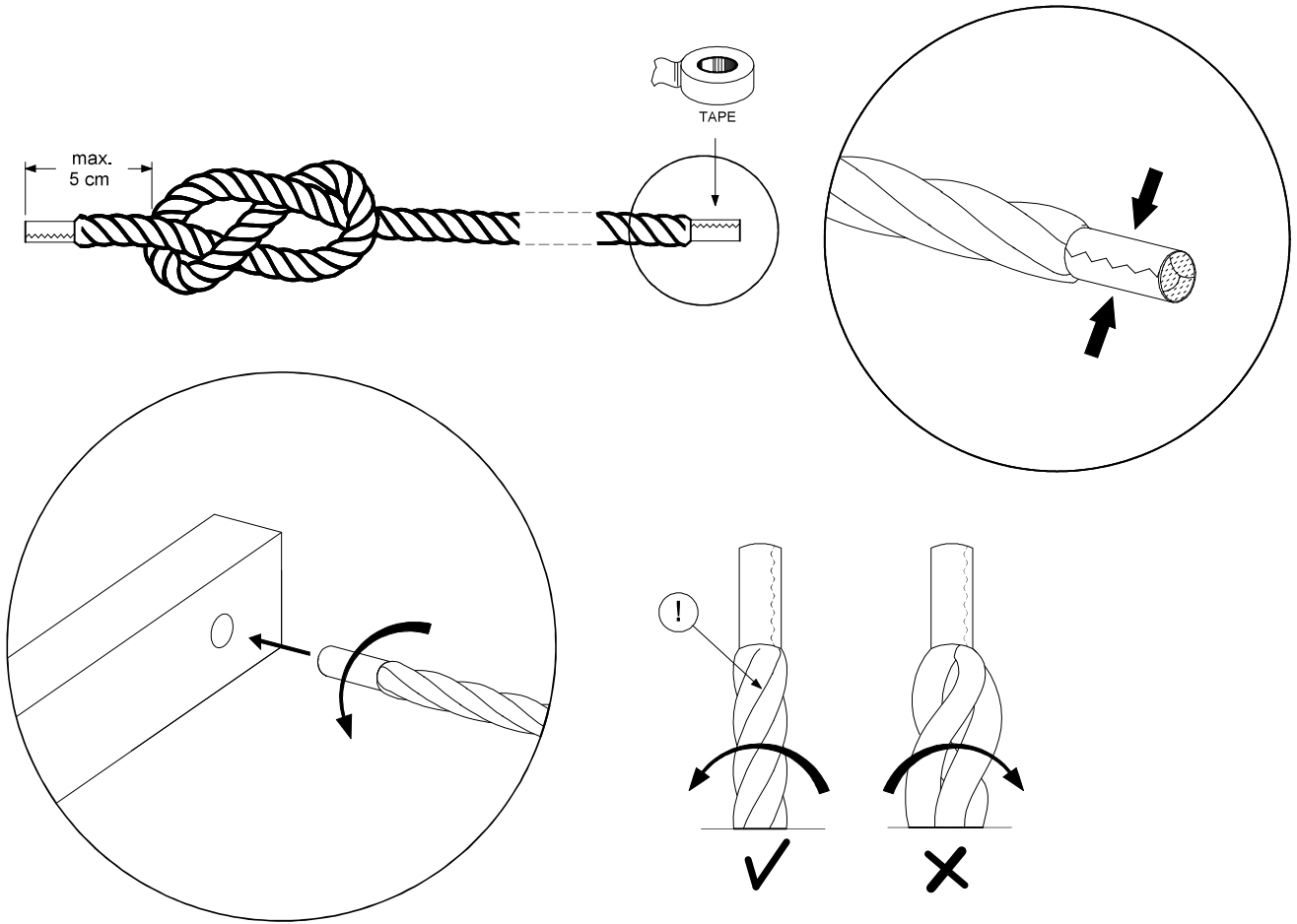
(E'')

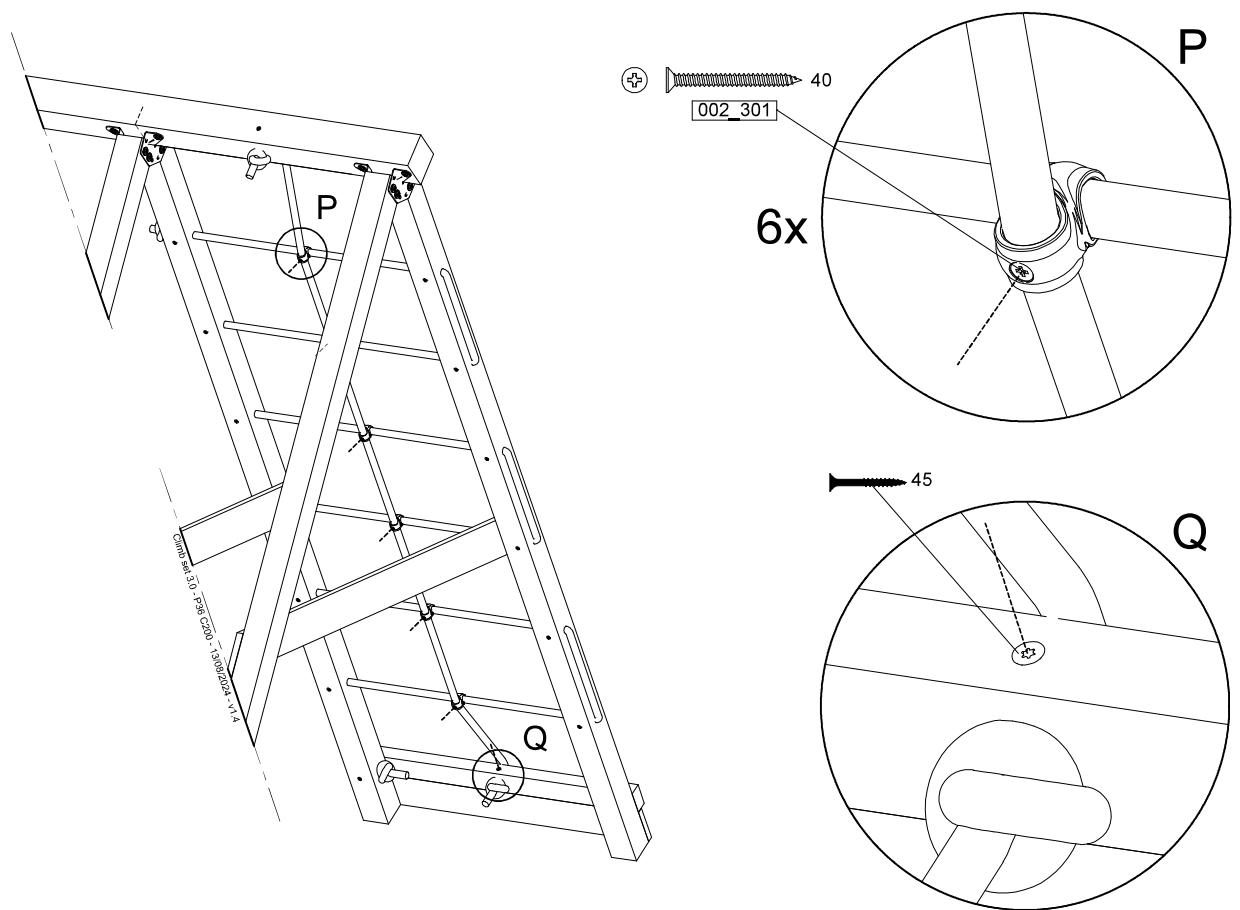
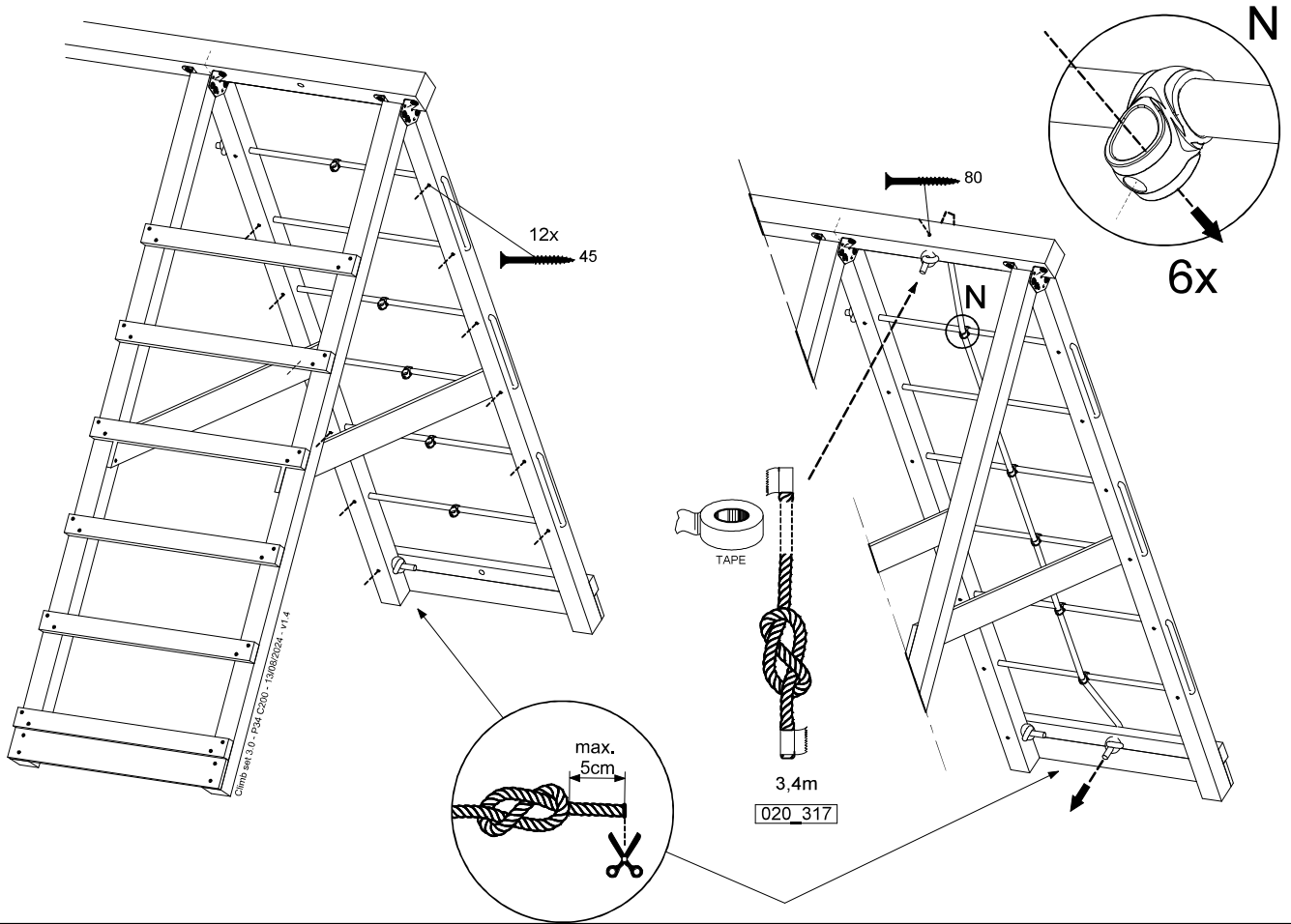




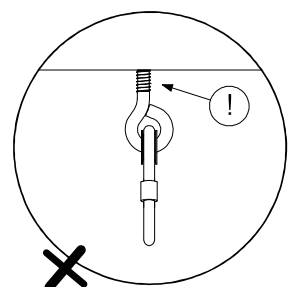
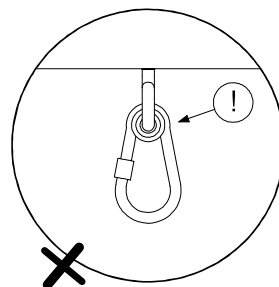
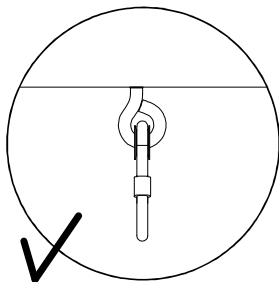
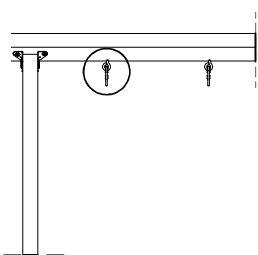
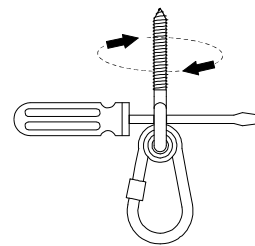
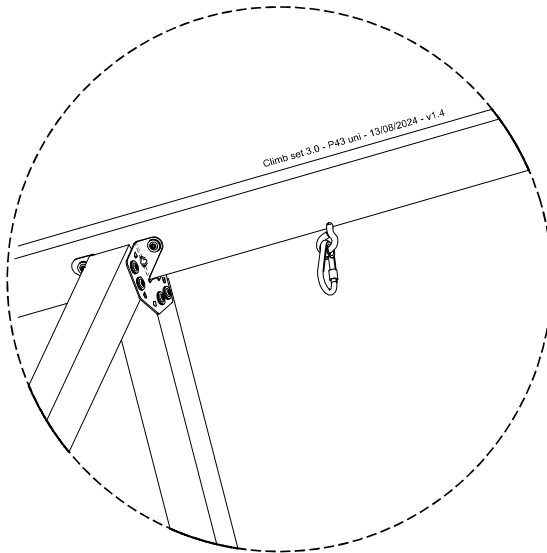
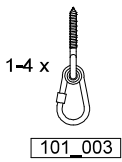
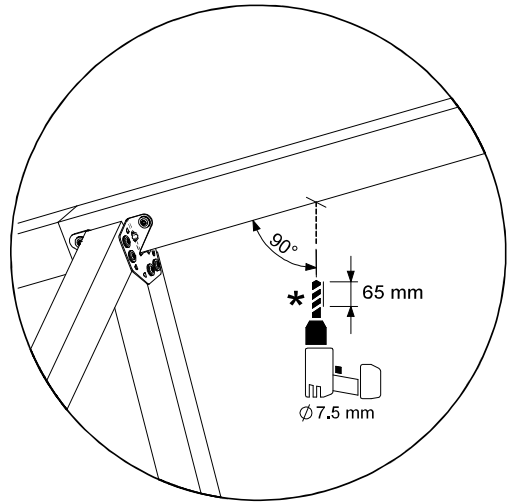
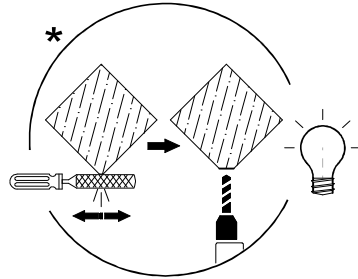
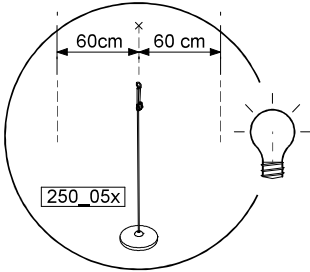
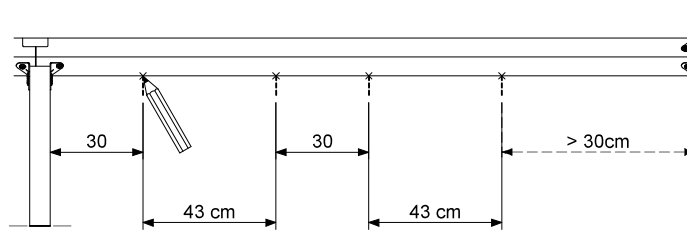
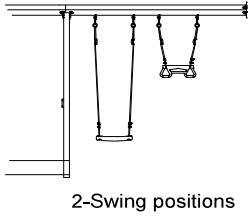


15.7

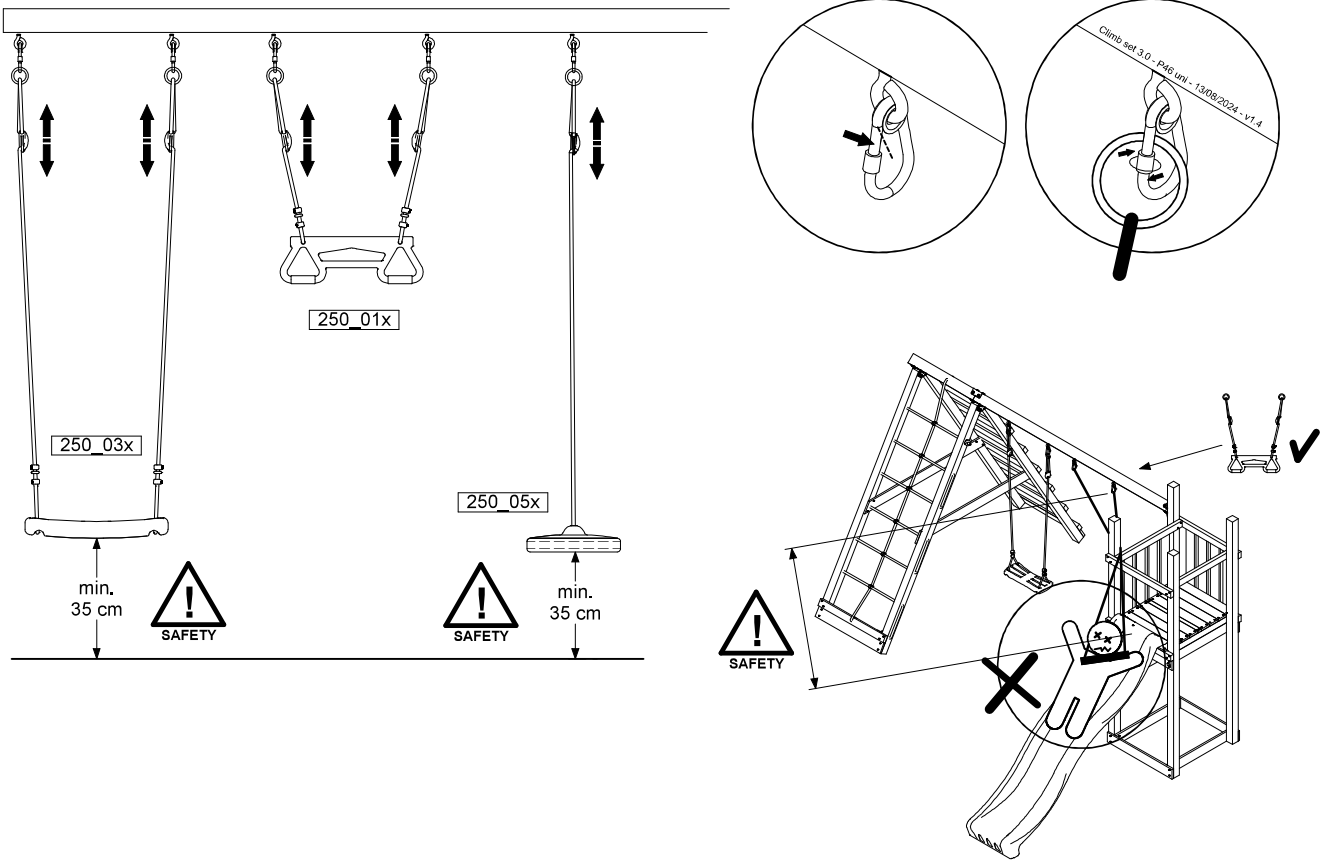




15.9



15.11

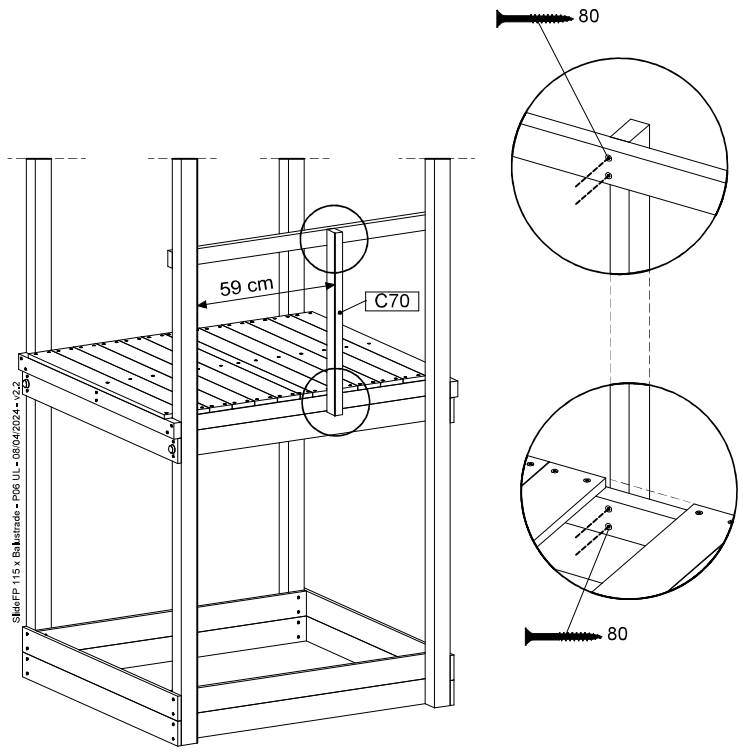
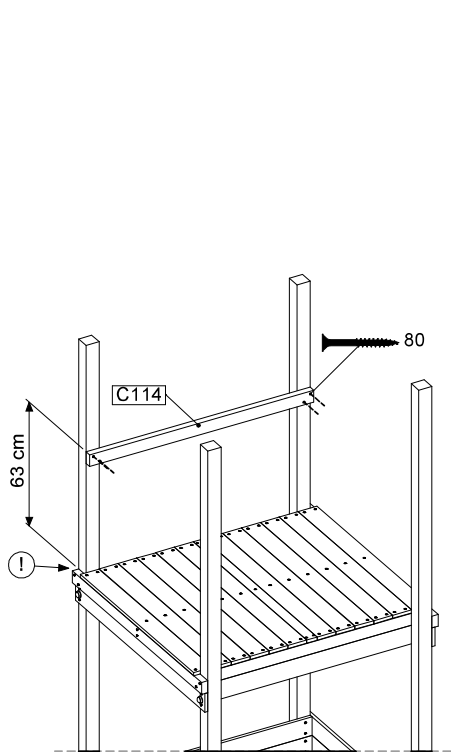
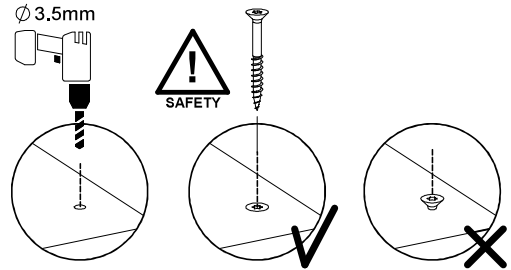
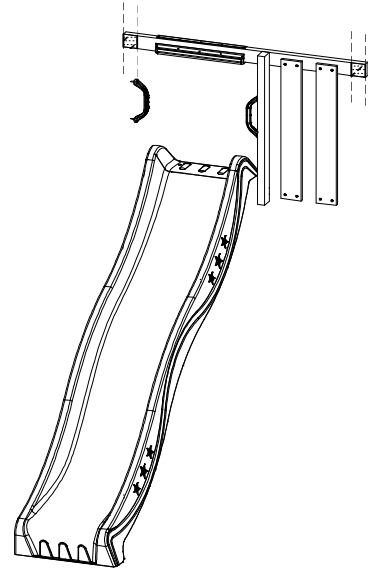


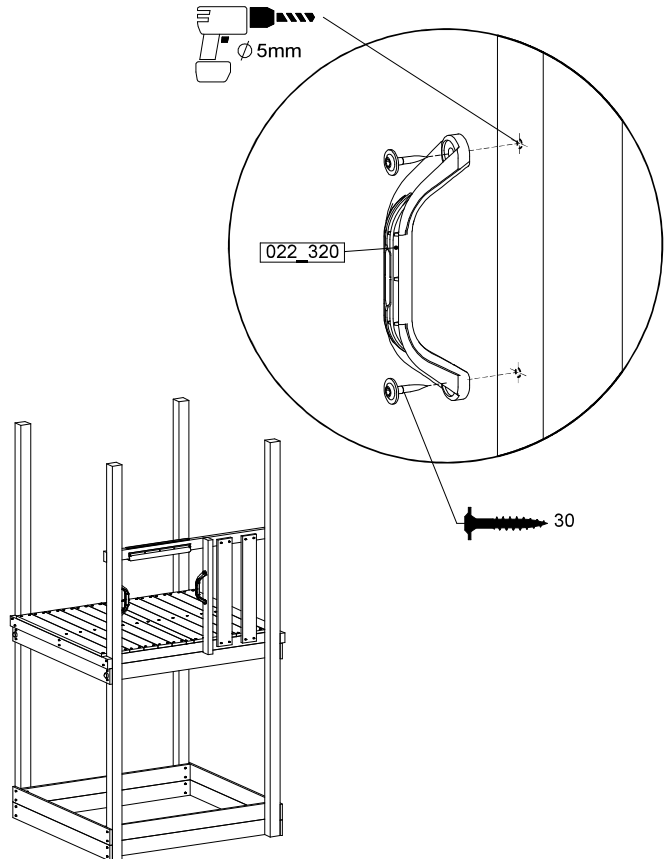
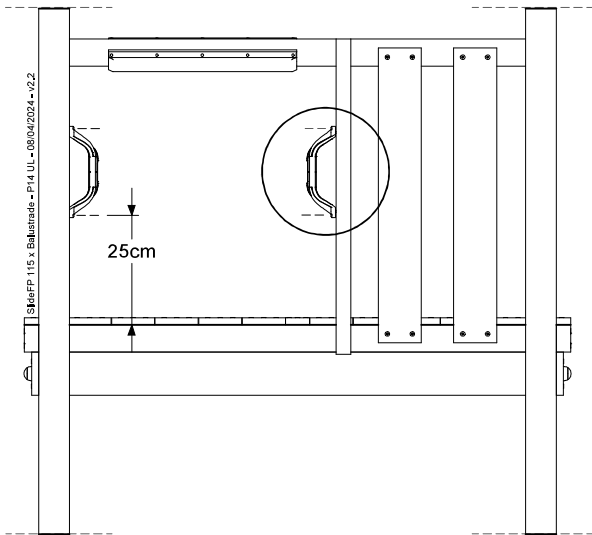
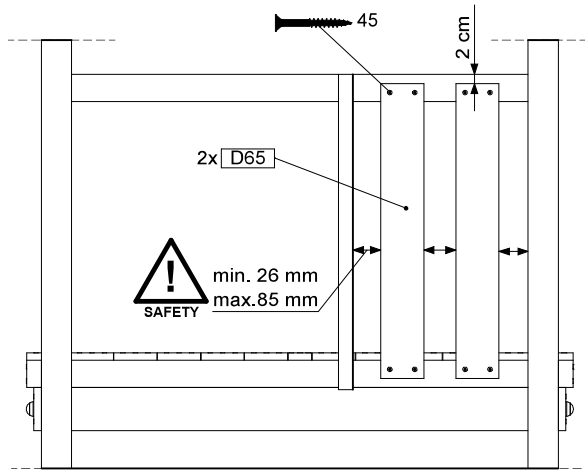
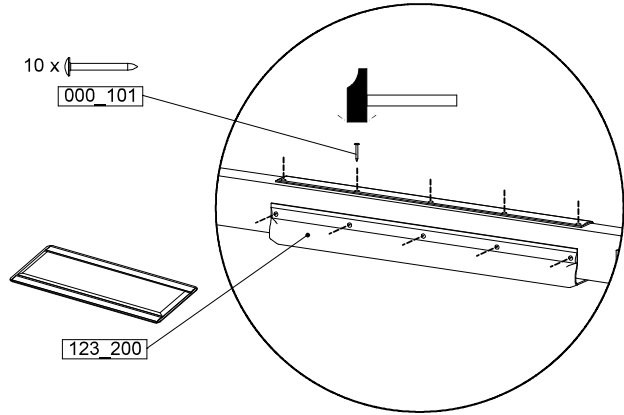
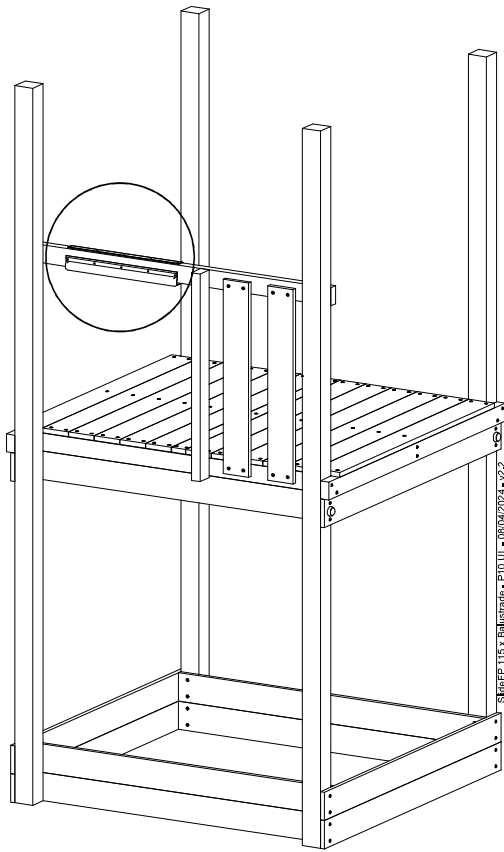
16 SL06a: Slide 115 125 U Left

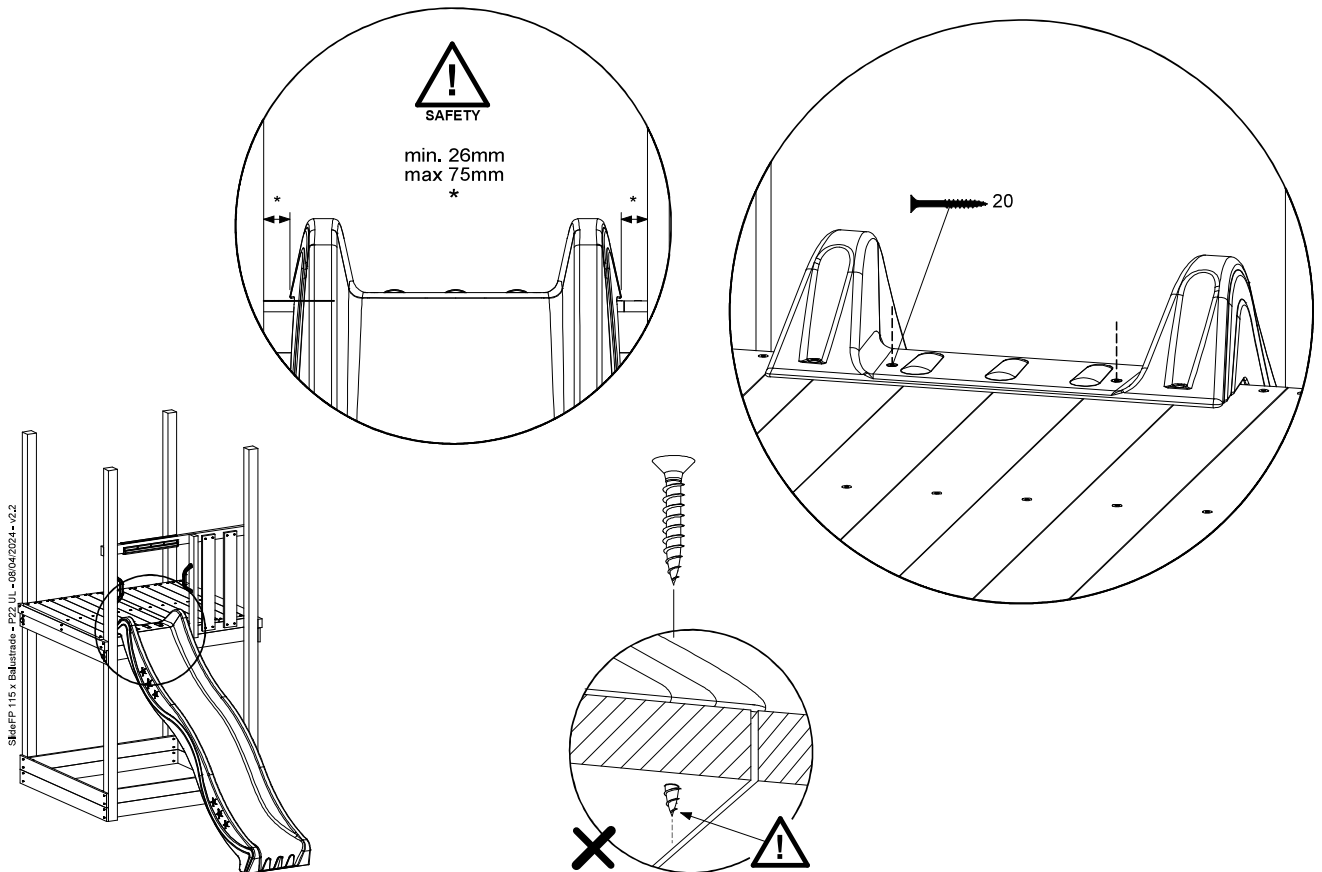
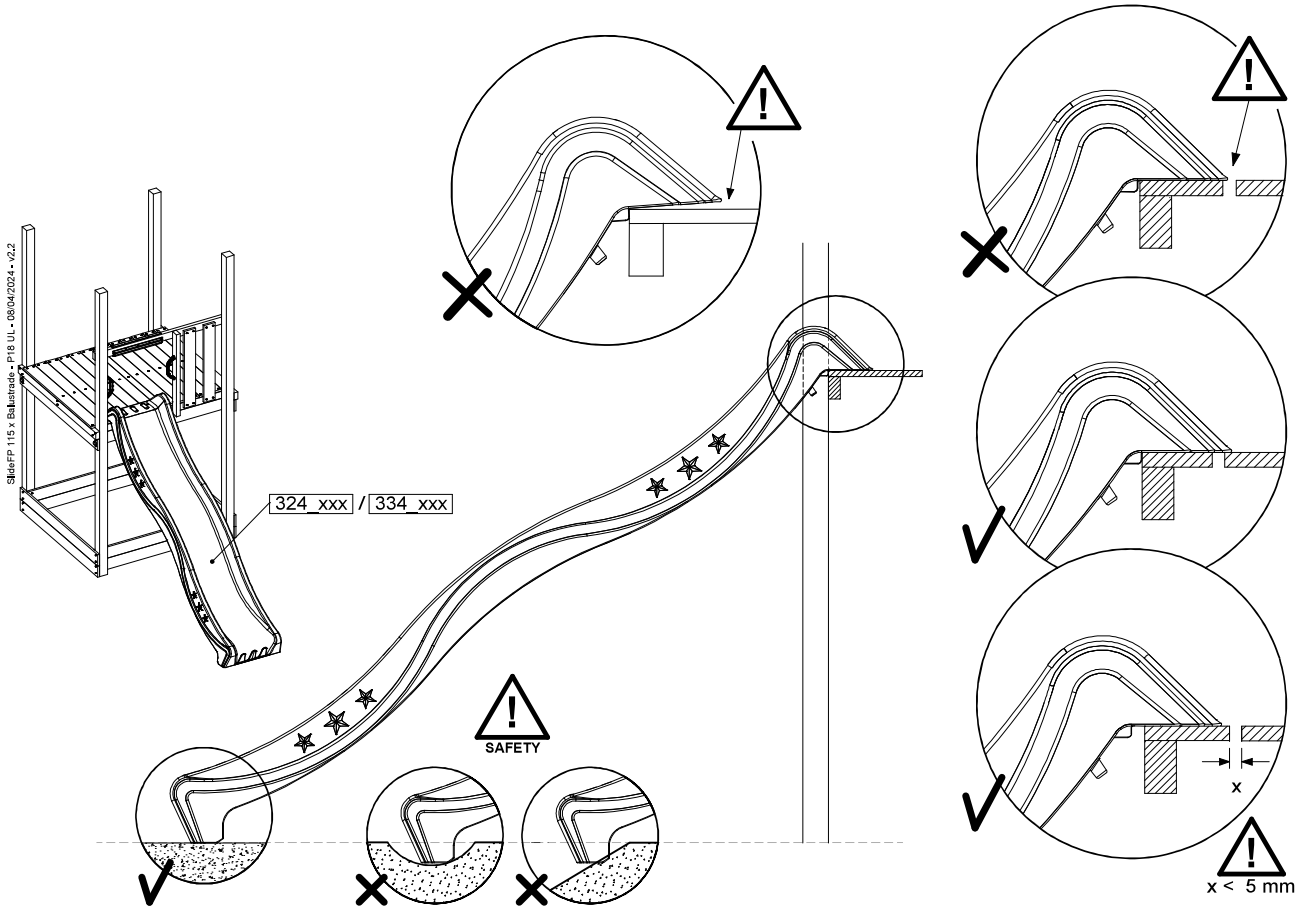
Assembly Packs: 194_107 + 194_101

	PartNo	PartName	QTY.
Hardware + Parts	000_101	Nail Pan Head	10
	002_220	Gap Point Screw T25 - 5x45	8
	002_223	Gap Point Screw T25 - 5x80	8
	002_308	Gap Point Screw T25 - 5x20	2
	120_102	Handgrip set (complete 2x)	1
	123_200	Bumperpad	1
	324_xxx 334_xxx	Wavy Star Slide XL 2200 mm / Wavy Star Slide XXL 2650 mm	1
Timber	C114	Beam 1140 mm	1
	C70	Beam 700 mm	1
	D65	Board 650 mm	2

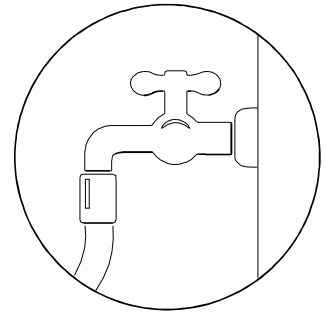
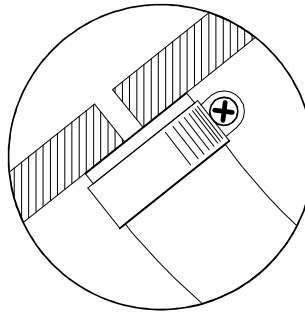
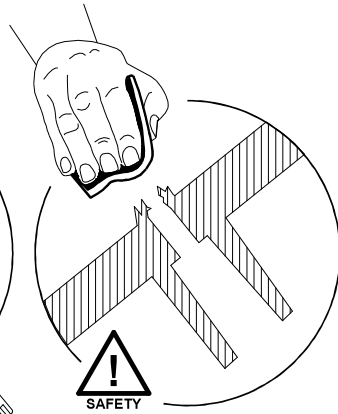
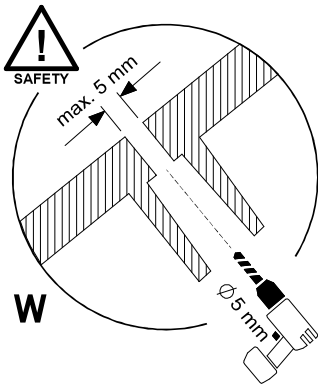
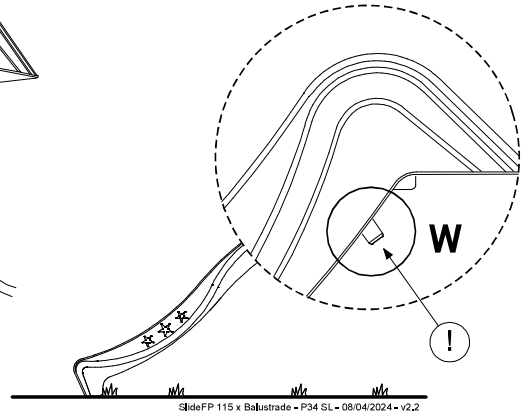
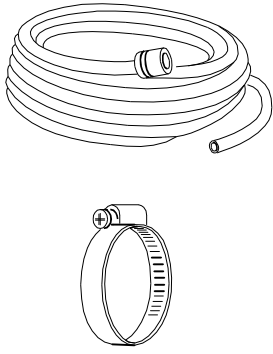
SlideFP 115 x Balustrade - POZ UL - 08/04/2024 - v2.2







16.3

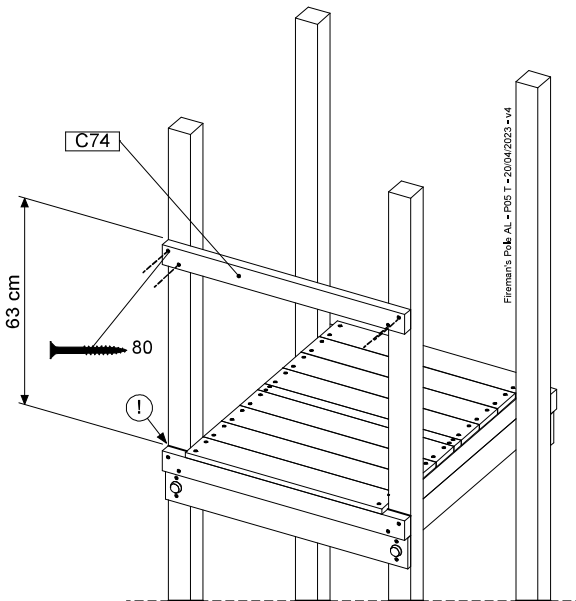
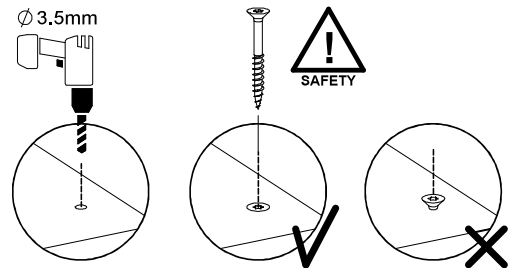
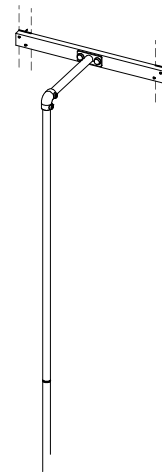


17 FP02a: Fireman's pole 80 T

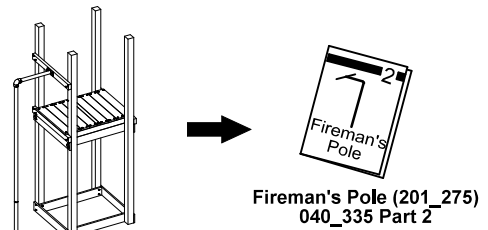
(201_275)

	PartNo	PartName	QTY.
Kit	201_275	Fireman's Pole kit (incl. 4x Screw T25 5x80)	1
Timber	C74	Beam 740 mm	1

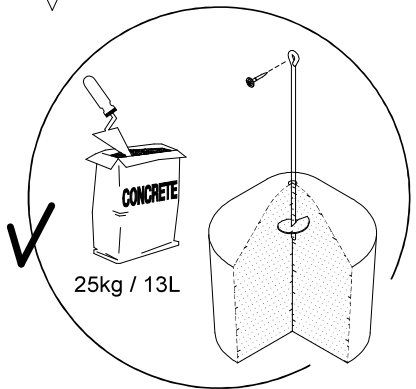
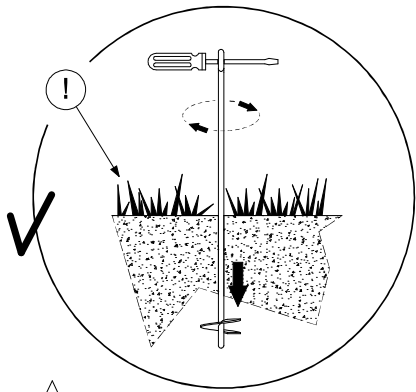
Fireman's Pole AL = F03 T = 20/04/2023 - v4



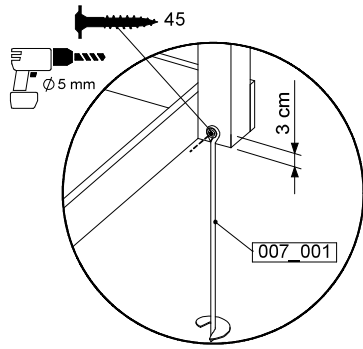
Fireman's Pole AL = F05 T = 20/04/2023 - v4



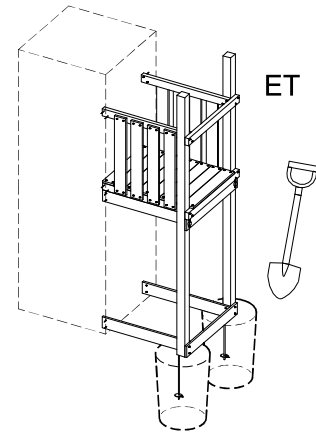
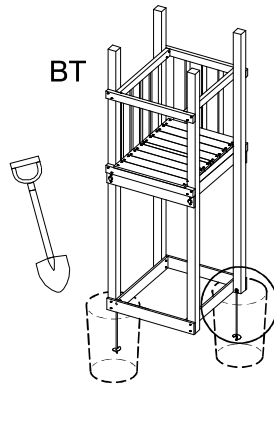
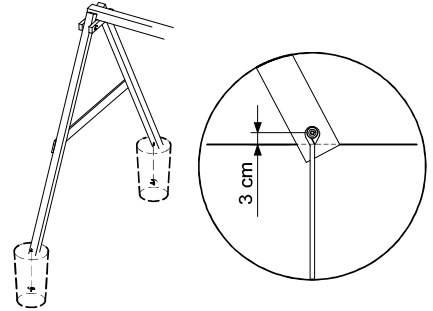
18 GA: Ground Anchors



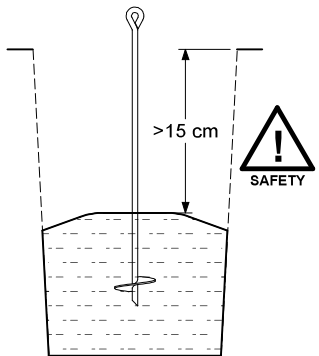
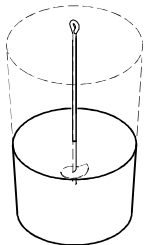
Ground Anchors Uni. - PD3 - 14/06/2024 - v1.5



SW / CL



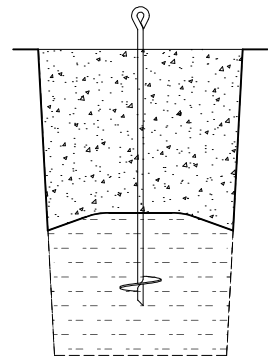
25kg / 13L



1.



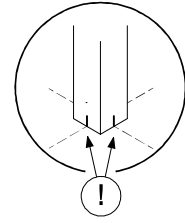
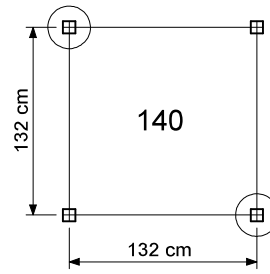
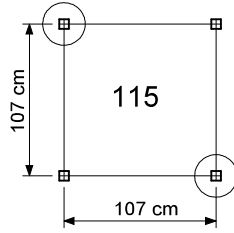
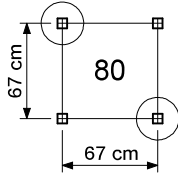
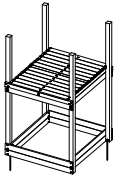
2.



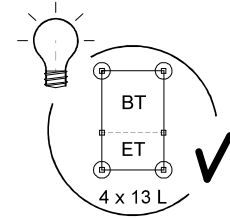
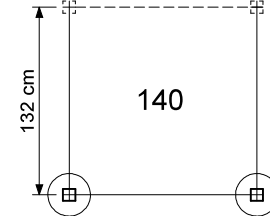
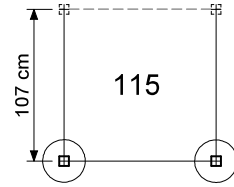
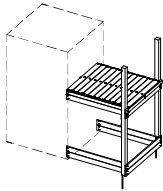
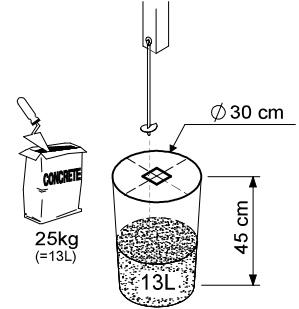
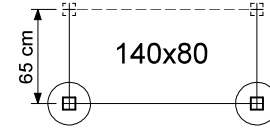
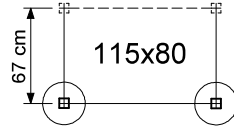
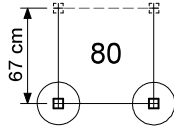
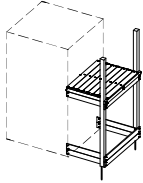
3.

Ground Anchors Uni. - PD4 - 14/06/2024 - v1.5

BASE TOWERS

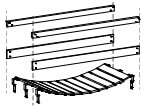


EXTENSION TOWERS

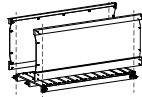


Ground Anchors Uni. - P01 - 14/06/2024 - v1.5

BRIDGES



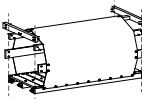
CLATTER



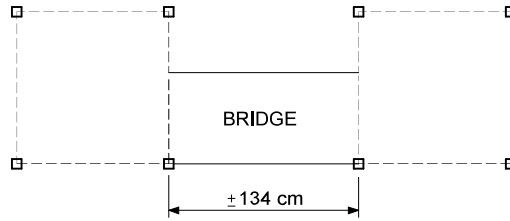
BOARDWALK



NET



TUNNEL

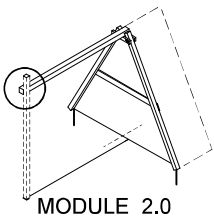


BRIDGE

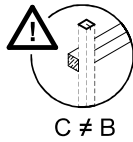
± 134 cm

Ground Anchors Uni. - P02 - 14/06/2024 - v1.5

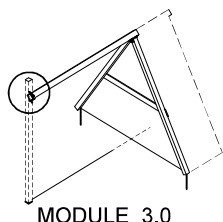
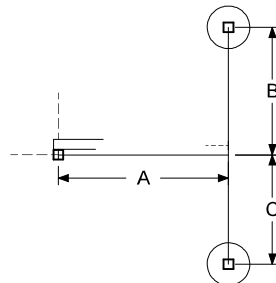
SWING / CLIMB



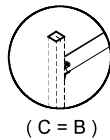
MODULE 2.0



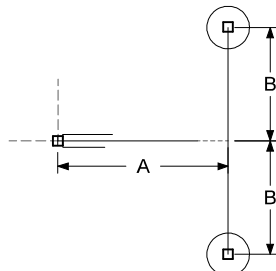
C ≠ B



MODULE 3.0



(C = B)



MODULE 2.0	Module type	A	B	C
	1-Swing 200	150	115	100
	1-Swing 220 (Extra)		120	105
	1-Climb 200	142		
	2-Climb 200		115	100
	2-Swing 200	210		
	1-Climb 220 (Extra)	162		
	2-Climb 220 (Extra)		120	105
2-Swing 220 (Extra)	230			

cm

MODULE 3.0	Module type	A	B
	1-Swing 200 - 3.0	155	110
	1-Swing 220 (Extra) - 3.0		115
	1-Climb 200 - 3.0	148	
	2-Climb 200 - 3.0	222	110
	2-Swing 200 - 3.0	215	
	1-Climb 220 (Extra) - 3.0	170	
	2-Climb 220 (Extra) - 3.0	242	115
2-Swing 220 (Extra) - 3.0	235		

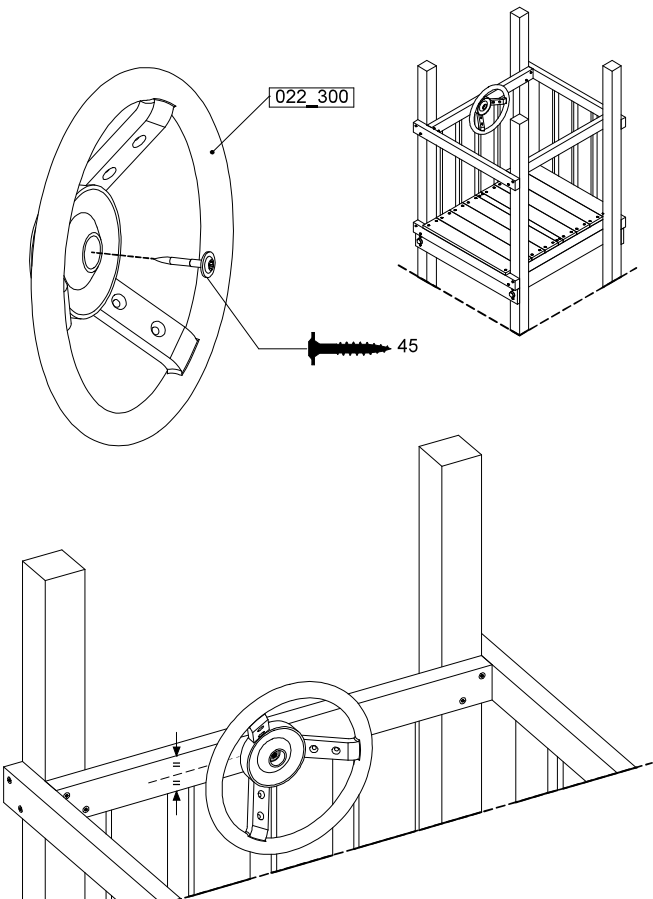
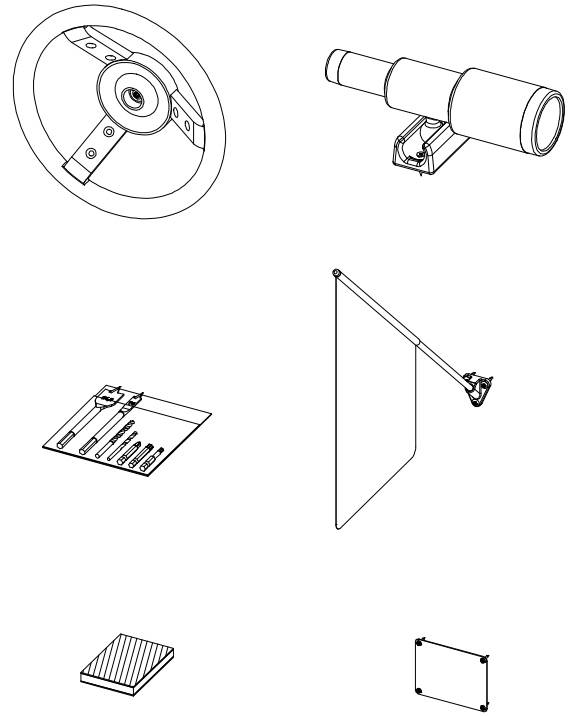
cm

19 AC01a: Accessories

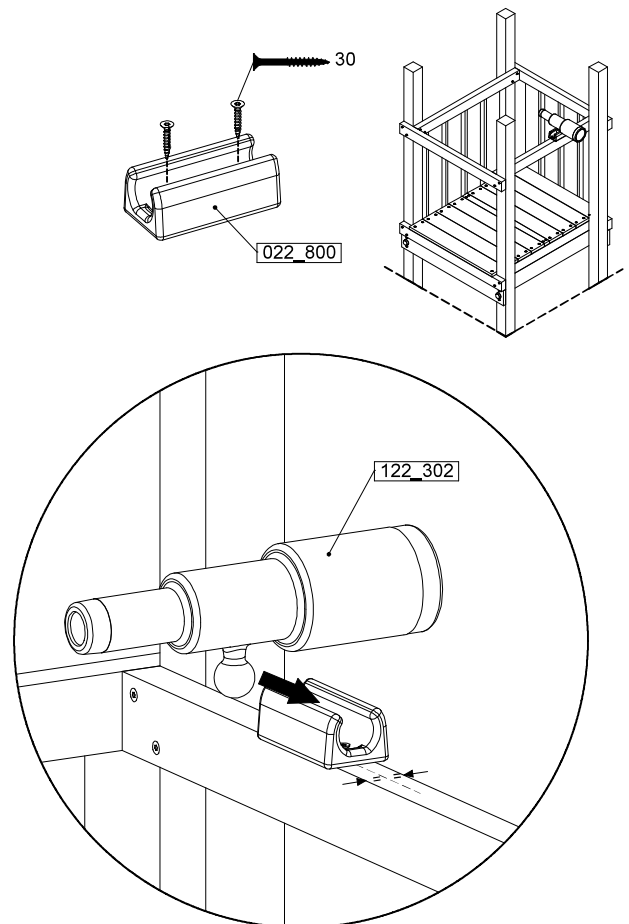
(194_119)

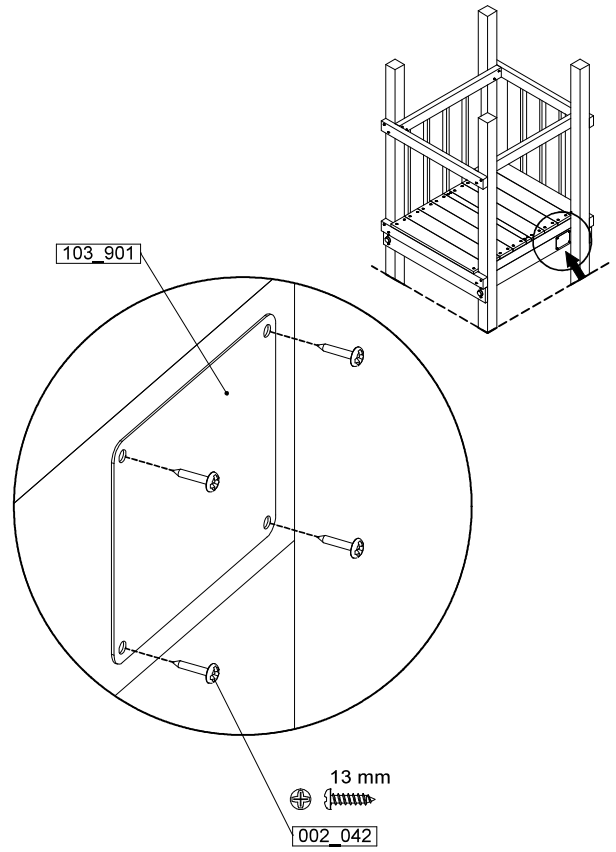
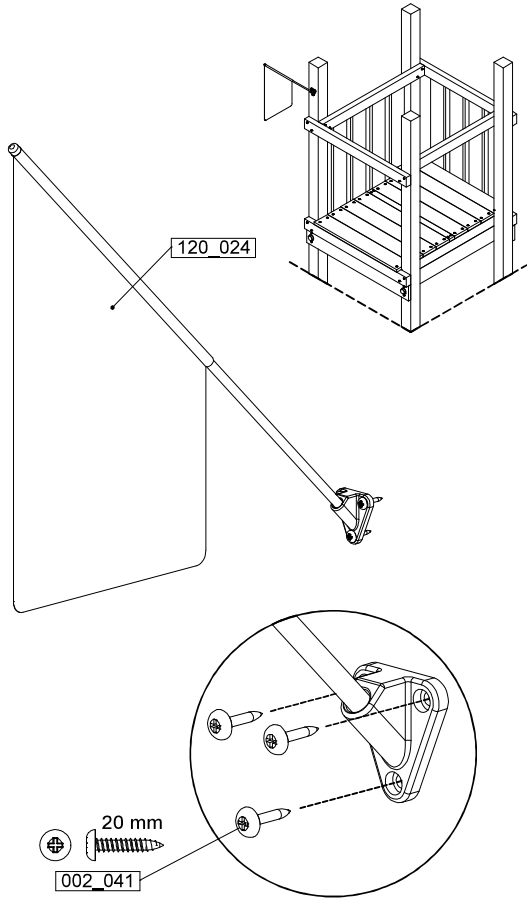
	PartNo	PartName	QTY.
Hardware Pack 100_617	001_406	Stealth Screw 8x45	1
	002_041	Dome head screw 4.5 x 20 mm	3
	002_042	Dome head screw 3.5 x 13mm	4
	002_219	Gap Point Screw T25 - 5x30	2
Other	022_300	Steering Wheel	1
	022_800	Rail P/T 105	1
	022_910	Sandpad	1
	103_901	Logo ID Plate	1
	104_107	Tool Set Climbing Units	1
	120_024	Tower Flag	1
	122_302	Telescope	1

Accessory set - P02 - 24/01/2024 - v5

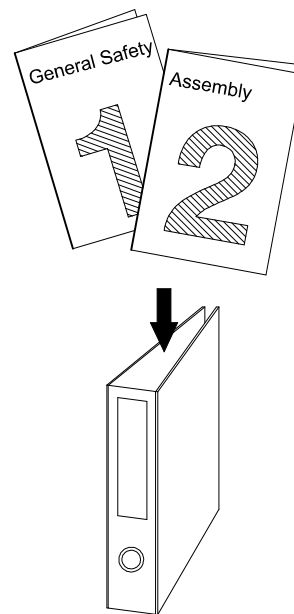
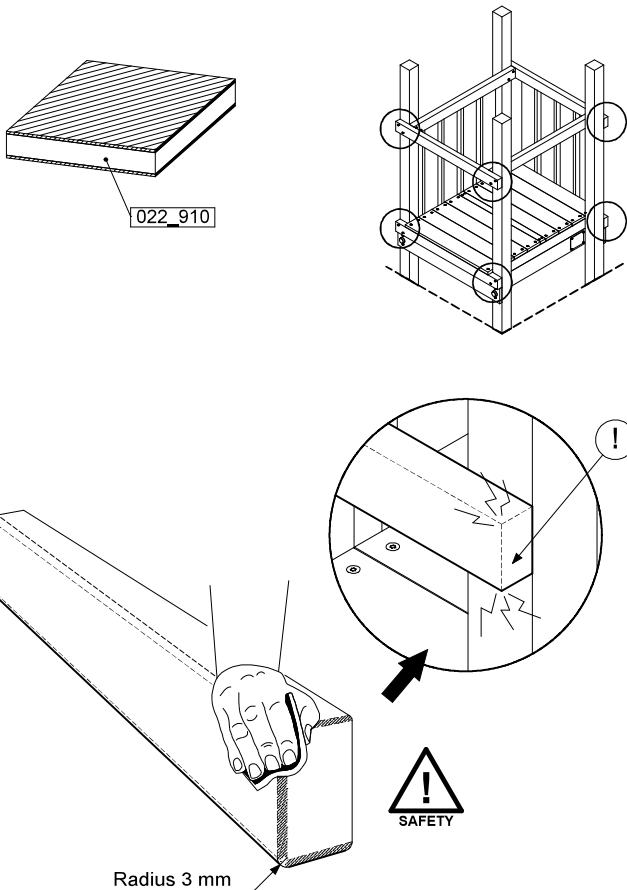


Accessory set - P02 - 24/01/2024 - v5





Accessory set - P04 - 24/01/2024 - v5



Accessory set - P05 - 24/01/2024 - v5