

Assembly instructions

Activity toy to be assembled by adults for outdoor domestic use.

Montageanleitung

Spielgerät, das von Erwachsenen zusammgebaut werden muss, für den häuslichen Außenbereich.

Instructions de montage

Jouet d'activité à assembler par des adultes pour une utilisation extérieure familial.

2

PART

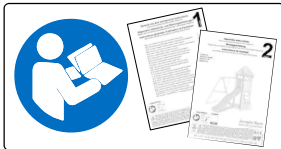
Design code: **CroXsi**

Product name: **Botan 2-Climb 3.0**

Product number: **211518**







OWNER MANUAL



Jungle Gym

BACKYARD PLAYGROUNDS

since 1988

<p>Assembly time</p>  <p>hours by 2 adults v2711</p>	<p> EN. Warnings. Only for domestic use. Maximum number of users is 9. DE. Achtung. Nur für den Hausgebrauch. Maximale Benutzerzahl: 9. FR. Attention. Réserve à un usage familial. Le nombre maximal d'utilisateurs est de 9. BG. Внимание. За употреба само в домашни условия. Максималният брой потребители е 9. CS. Varování. Jen pro domácí použití. Maximální počet uživatelů je 9. DA. Advarsel. Kun til privat brug. Maksimum antal brugere er 9. EL. Προσοχή. Μόνο για οικιακή χρήση. Μέγιστος αριθμός χρηστών 9. ES. Advertencias. Solo para uso doméstico. Número máximo de usuarios 9. ET. Hoiatused. Ainult koduseks kasutamiseks. Maksimaalne kasutajate arv on 9. FI. Varoitukset. Ainoastaan kotikäyttöön. Käyttäjää yhteensä enintään 9. HR. Upozorenja. Samo za kućansku uporabu. Maksimalan broj korisnika je 9. IT. Avvertenze. Solo per uso domestico. Massimo numero di utenti è 9. LT. Įspėjimai. Tik buitiniam naudojimui. Maksimalus naudotojų skaičius 9. LV. Brīdinājumi. Izmantot tikai mājās. Maksimālais lietotāju skaits ir 9. NL. Waarschuwingen. Uitsluitend voor huishoudelijk gebruik. Het maximale aantal gebruikers is 9. NO. Advarsel. Kun for privat bruk. Maksimalt antall brukere er 9. PL. Ostrzeżenia. Wyłącznie do użytku domowego. Maksymalna liczba użytkowników to 9. PT. Avisos. Apenas para uso doméstico. O número máximo de utilizadores é 9. RO. Avertismente. Numai pentru uz domestic. Numărul maxim de utilizatori este 9. SK. Upozornenia. Iba na domáce použítie. Maximálne množstvo osôb je 9. SL. Opozorila. Samo za domačo uporabo. Maksimalno število uporabnikov je 9. SV. Varningar. Endast för hemmabruk. Det maximala antalet användare är 9.</p>	 
--	--	--

Design code: CroXsi, © 2024 Jungle Gym B.V. Copyrighted material. All rights reserved. Single-owner licensed. No part of this document may be reproduced or utilized otherwise in any form or by any means, electronic or mechanical, including photocopying, or posting on the internet or an intranet, copying and networking prohibited.



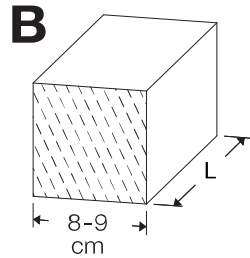
Preparatory work Vorbereitende Arbeiten Travaux préparatoires

Overview of the total delivery scope
Übersicht über den gesamten Lieferumfang
Aperçu de l'ensemble de la portée de livraison

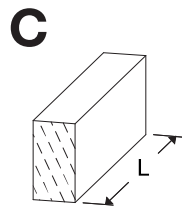


#	Description	Supplier ID	Sub-assembly ID
2	Base Tower 140_270270_145	794_001	BT20a
1	Extension Tower 140140_220_145	794_107	ET39a
2	Roof Timber Slope 140	794_208	RF15b
2	Balustrade 140_U	794_301	BL05a
1	Balustrade 140_T	794_301	BL06a
2	Balustrade 70/140_U L	794_302	BL07a
1	Playhouse 140 U Wall	794_311	PH20a
1	Playhouse 140 T Window	794_319	PH27c
1	Playhouse 140 Roof 120 set	794_314	PH33a
1	Rock wall 70/140_145 T R	794_402	RW20a
1	Ladder 70/140_145 U R	794_432	LA24a
1	Picnic 140 U	794_503	PC09a
1	Clatter Bridge 80 uni	790_601	CB01a
1	Bridge Frame 140 T L	794_602	BF23a
1	Bridge Frame 140 T R	794_602	BF24a
1	Slide Frame 70/140145 T L	794_901	SL28a
1	Fireman's pole 70/140_145 U R	794_911	FP26a
1	Swing Mounting Set	794_916	UB07a
1	2- Climb Module 220_Extra 3.0	750_234	CL22b
1	Accessories Set	194_119	AC01a
2	Accessories Swing Seat	250_034	AC21a
1	Accessories Mesh for Bridge	123_230	AC30a
1	Wavy Star Slide XXL	334_x00a	334_x00a

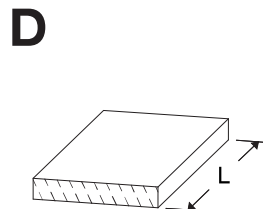
Identifying and inventorying of the individual timber parts
Identifizierung und inventarisieren der der einzelnen Holzteile
Identification et inventoir les pièces en bois individuels



B74	73 cm - 74 cm	1
B220	219 cm - 220 cm	2
B240	239 cm - 240 cm	5
B270	269 cm - 270 cm	8



C37	36 cm - 37 cm	3
C70	69 cm - 70 cm	5
C74	73 cm - 74 cm	12
C84	83 cm - 84 cm	4
C96	85 cm - 96 cm	9
C141	140 cm - 141 cm	34
C150	149 cm - 150 cm	2
C206	205 cm - 206 cm	1

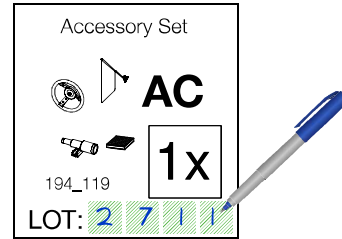




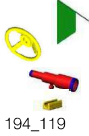















D47	46 cm - 47 cm	9
D60	59 cm - 60 cm	12
D65	64 cm - 65 cm	42
D74	73 cm - 74 cm	2
D100	99 cm - 100 cm	2
D123	122 cm - 123 cm	61
D141	140 cm - 141 cm	69
D154	153 cm - 154 cm	49

Identification, inventorying, and registering of the individual assembly packs
Identifizierung, inventarisieren und registrieren der einzelnen Baupakete
Identification, inventorier et enregistrer les packs de construction individuels



Example

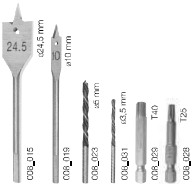


<p>Slide Frame</p>  <p>SL</p> <p>194_107</p> <p>1x</p> <p>LOT: <input type="text"/></p>	<p>Bridge Frame</p>  <p>BF</p> <p>194_007</p> <p>2x</p> <p>LOT: <input type="text"/></p>	<p>Accessory Set</p>  <p>AC</p> <p>194_119</p> <p>1x</p> <p>LOT: <input type="text"/></p>	<p>Hardware 10</p>  <p>H10</p> <p>194_810</p> <p>1x</p> <p>LOT: <input type="text"/></p>	<p>Canvas 136 x 74cm</p>  <p>123_220</p> <p>1x</p> <p>LOT: <input type="text"/></p>
<p>Hardware 09</p>  <p>H09</p> <p>194_809</p> <p>1x</p> <p>LOT: <input type="text"/></p>	<p>Swing Seat</p>  <p>AC</p> <p>250_034</p> <p>2x</p> <p>LOT: <input type="text"/></p>	<p>Tower 140</p>  <p>BT ET</p> <p>194_500</p> <p>3x</p> <p>LOT: <input type="text"/></p>	<p>Hardware 04</p>  <p>H04</p> <p>194_804</p> <p>3x</p> <p>LOT: <input type="text"/></p>	<p>Clatter Bridge</p>  <p>CB</p> <p>194_116</p> <p>1x</p> <p>LOT: <input type="text"/></p>
<p>Climb Module Kit</p>  <p>CL</p> <p>457_107</p> <p>1x</p> <p>LOT: <input type="text"/></p>	<p>Balustrade 140</p>  <p>BL</p> <p>194_501</p> <p>4x</p> <p>LOT: <input type="text"/></p>	<p>Slide XXL 2.6m</p>  <p>1x</p> <p>334_x00</p> <p>LOT: <input type="text"/></p>	<p>Rock Wall</p>  <p>RW</p> <p>194_006</p> <p>1x</p> <p>LOT: <input type="text"/></p>	<p>Fireman's Pole</p>  <p>FP</p> <p>201_275</p> <p>1x</p> <p>LOT: <input type="text"/></p>
<p>Mesh Green 185 x 120cm</p>  <p>123_230</p> <p>1x</p> <p>LOT: <input type="text"/></p>	<p>Hardware 01</p>  <p>BL H01</p> <p>194_101</p> <p>2x</p> <p>LOT: <input type="text"/></p>	<p>Ladder 145</p>  <p>LA</p> <p>194_004</p> <p>1x</p> <p>LOT: <input type="text"/></p>		

Overview of the contents of the standard included start package
Übersicht über den Inhalt des standardmäßig enthaltenen Startpakets
Aperçu du contenu du pack de démarrage inclus standard



Overview of the bit and drill bit references
Übersicht über die Bit- und Bohrer-Referenzen
Aperçu des références des embouts et des forêts



Overview of all hardware and part references for identification
Übersicht über alle Hardware- und Teile-Referenzen zur Identifizierung
Aperçu de toutes les références de matériel et de pièces pour identification

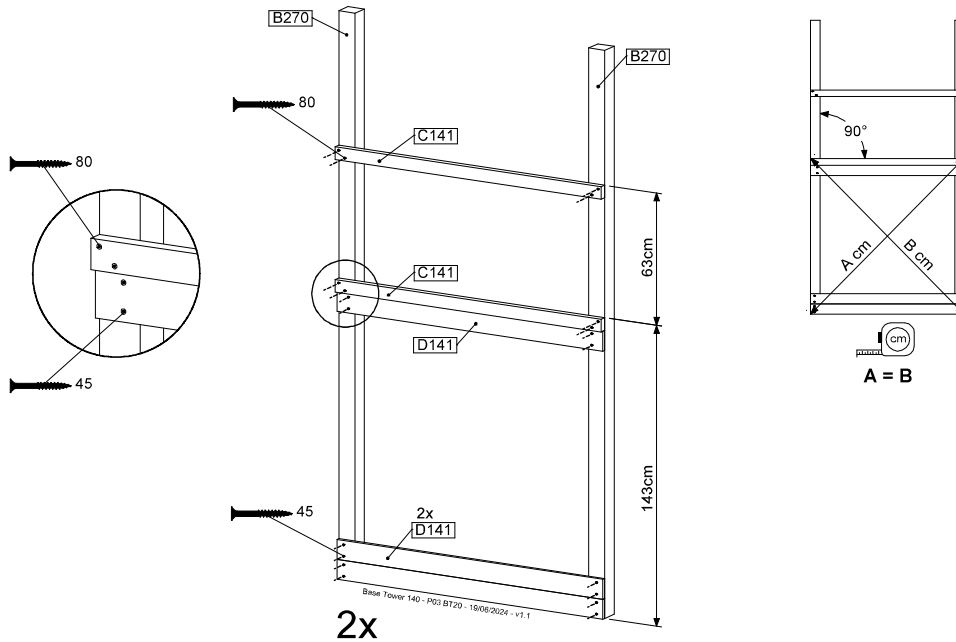
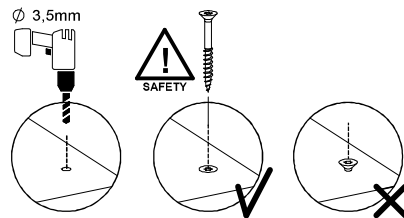
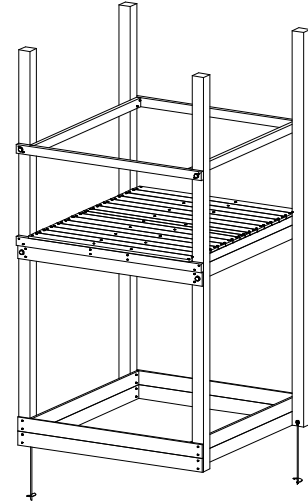
		#	L			#	L
 ø 5 T-40	 ø 8.0 mm L	001_404	30 mm	 ø 3.5 T-25	 ø 5.0 mm L	002_308	20 mm
		001_406	45 mm			002_219	30 mm
		001_411	60 mm			002_220	45 mm
		001_417	80 mm			002_223	80 mm
		001_422	137 mm				
 ø 10 T-40	 M8 L	001_102	30 mm	 ø 10	 M8 L	004_050	22mm
 ø 3.5 T-25	 ø 6.3 mm L	000_101	20 mm	 ø 3.5 PH-2	 ø 4.5 mm L	003_010	
 ø 3.5 PH-2	 ø 3.5 mm L	002_036	16 mm	 ø 3.5 PH-2	 ø 3.5 mm L	003_034	
 ø 3.5 PH-2	 ø 4.5 mm L	002_041	20 mm	 ø 3.5 PH-2	 ø 3.5 mm L	022_845	Yellow
 ø 3.5 PH-2	 ø 3.5 mm L	002_042	13 mm	 ø 3.5 PH-2	 ø 3.5 mm L	022_846	Blue
 ø 3.5 PH-2	 ø 3.9 mm L	002_301	40 mm	 ø 3.5 PH-2	 ø 3.9 mm L	022_847	Green
				 ø 3.5 PH-2	 ø 3.9 mm L	022_848	Red
				 ø 3.5 PH-2	 ø 3.9 mm L	023_031	White
				 ø 3.5 PH-2	 ø 3.9 mm L	120_005	White
						022_844	
						022_314	

1 BT20a: Base Tower 140 145cm 270270

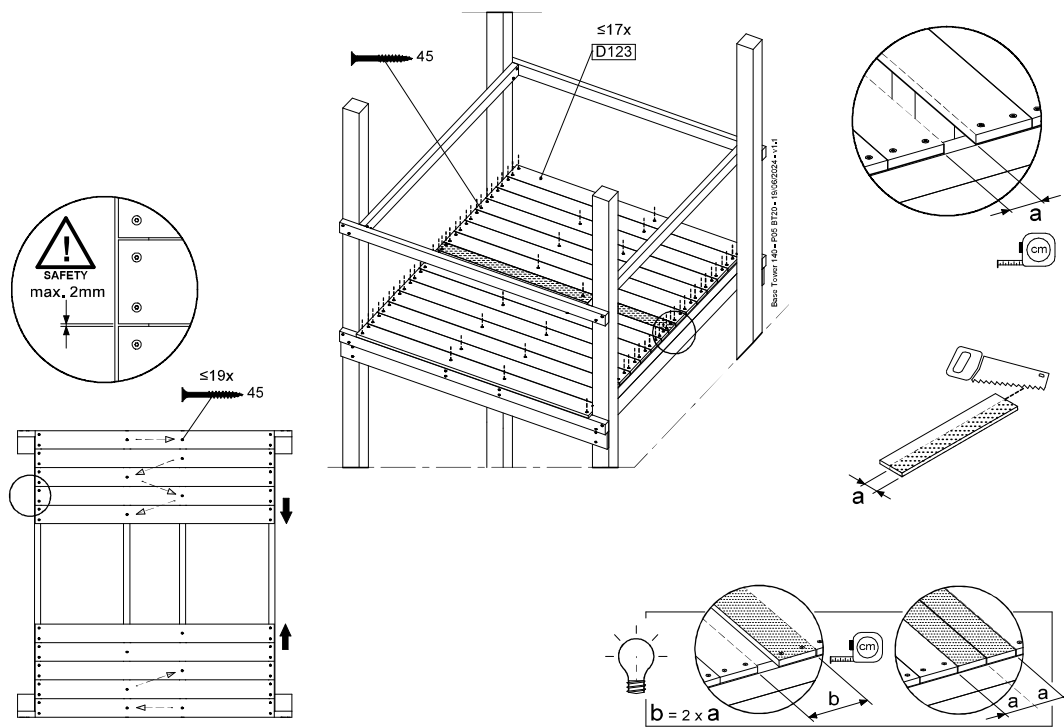
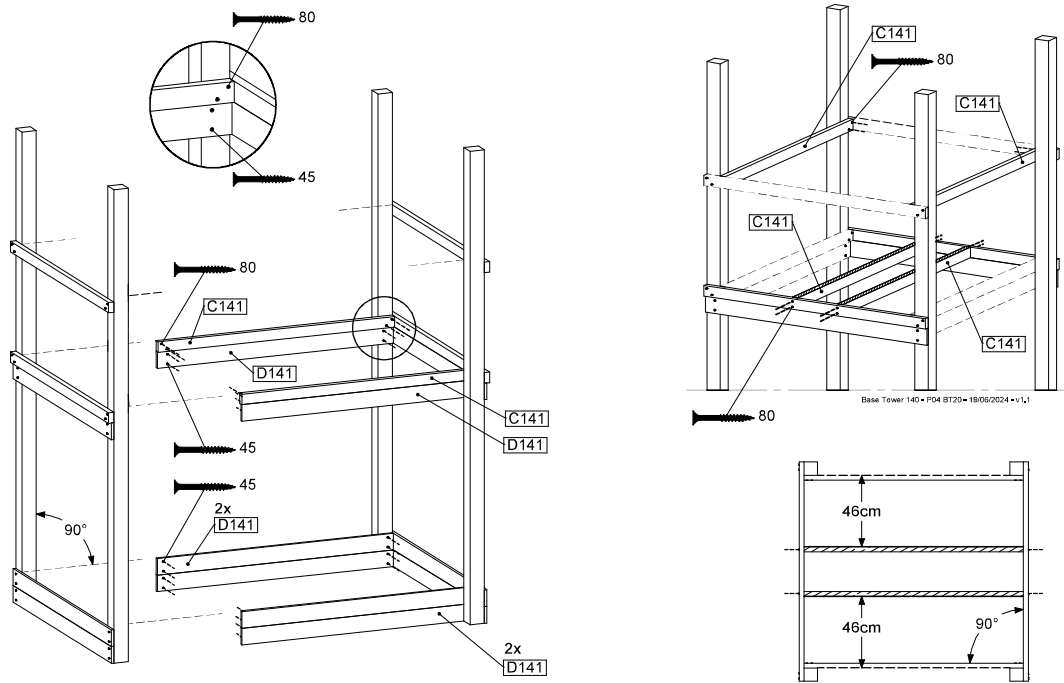
Assembly Pack: 194_500

	PartNo	PartName	QTY.
Hardware + Parts	001_406	Stealth Screw 8x45	6
	001_417	Stealth Screw 8x80	4
	002_220	Gap Point Screw T25 - 5x45	135
	002_223	Gap Point Screw T25 - 5x80	40
	007_001	Ground-anchor	2
	022_31x	bpo-base version 3	8
	022_84x	bpc cover	8
Timber	B270	Post 90x90 L2700	4
	C141	Beam 1410 mm	10
	D123	Board 1230 mm	17
	D141	Board 1410 mm	12

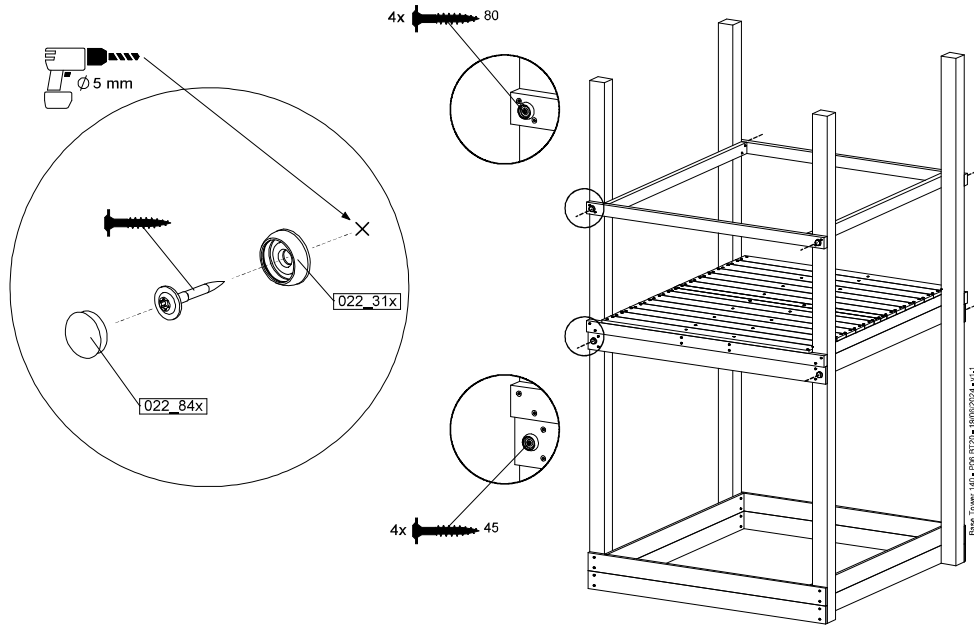
Base Tower 140 - P03.B120 - 18/08/2024 - v1.1



1.1



1.2

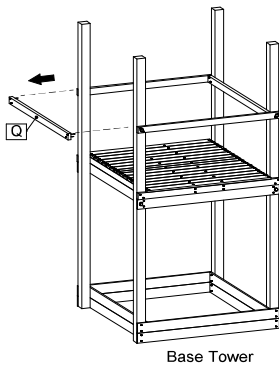
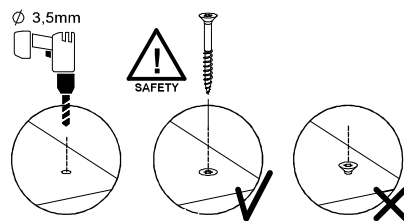
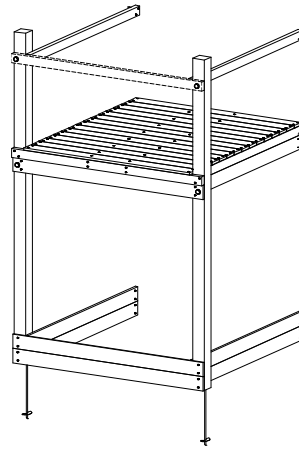


2 ET39a: Extension Tower 14080 220/145

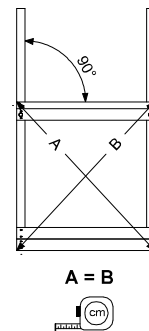
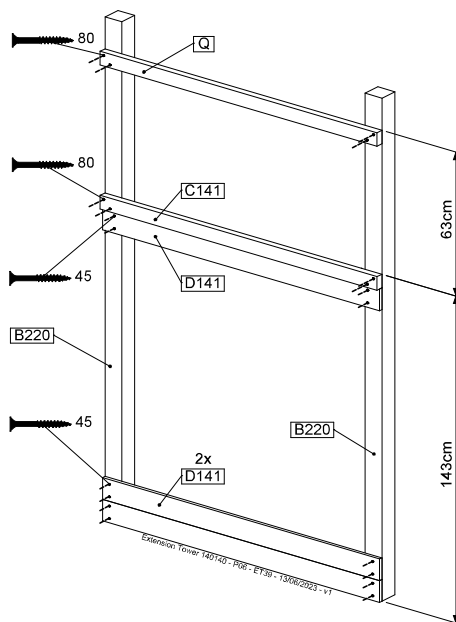
(194_500)

	PartNo	PartName	QTY.
Hardware pack	001_406	Stealth Screw 8x45	4
	001_417	Stealth Screw 8x80	2
	002_220	Gap Point Screw T25 - 5x45	123
	002_223	Gap Point Screw T25 - 5x80	28
Other	007_001	Ground-anchor	2
	022_31x	bpc-base version 3	4
	022_84x	bpc cover	4
Timber	B220	Post 90x90 L2200	2
	C141	Beam 1410 mm	7
	D123	Board 1230 mm	17
	D141	Board 1410 mm	9

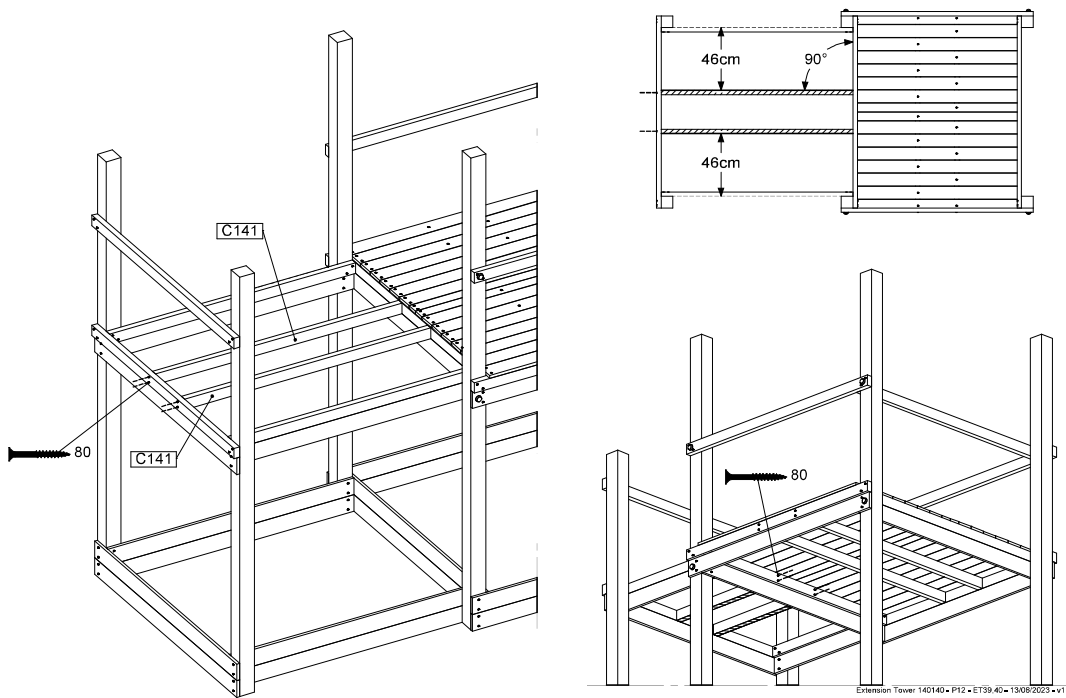
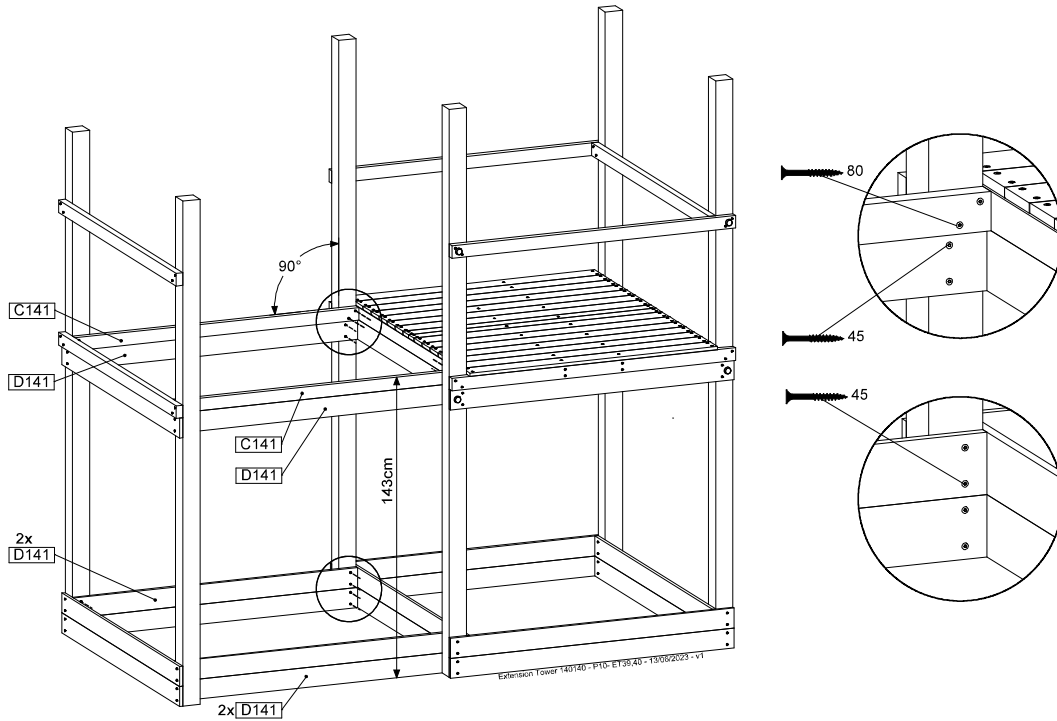
Extension Tower 140140 - P102 - ET39a - 13/06/2023 - v1



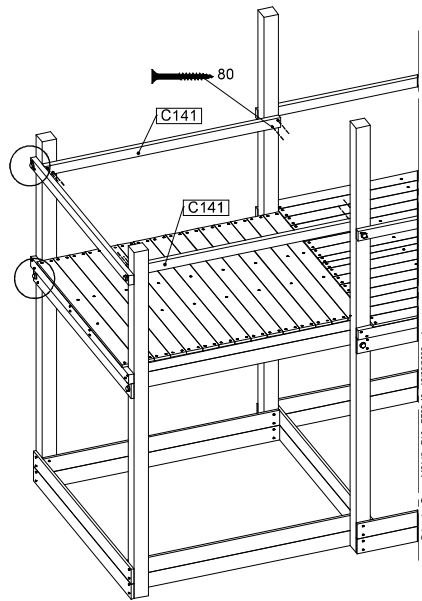
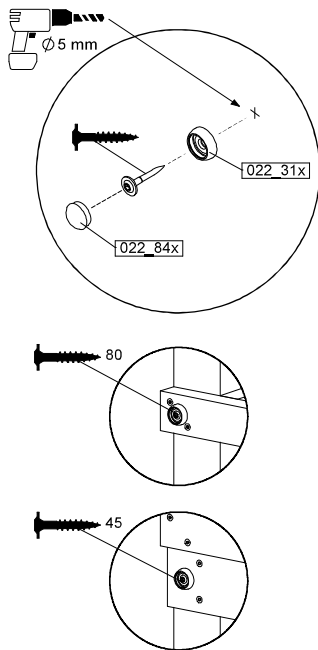
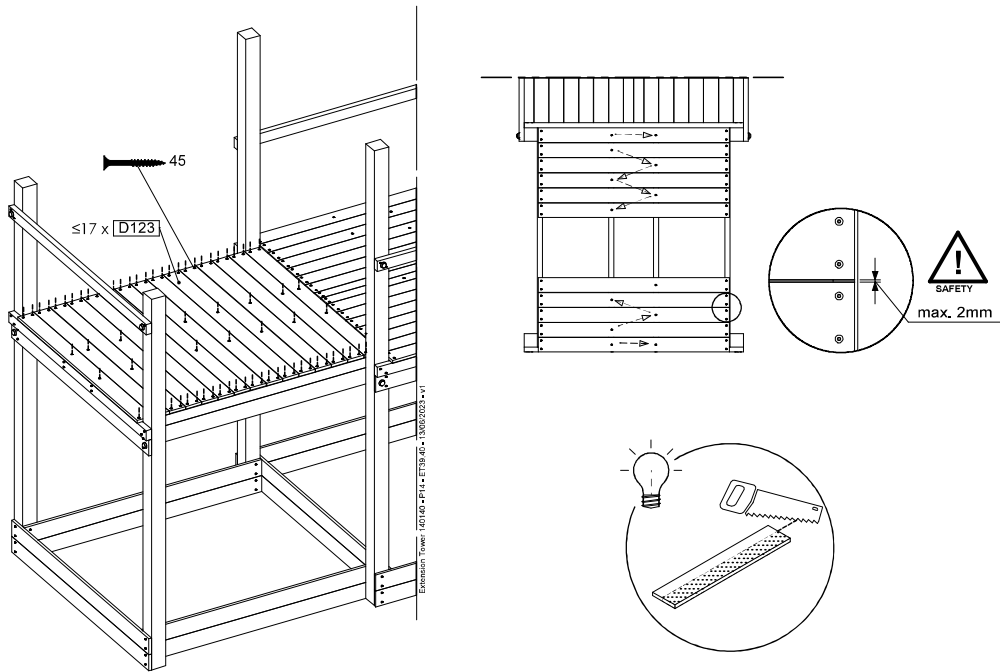
Base Tower



2.1



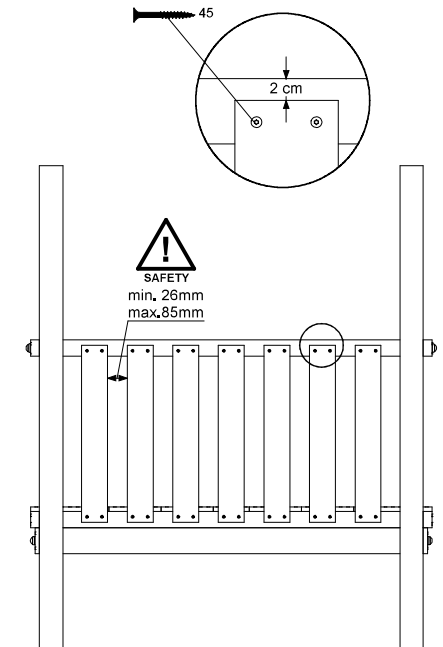
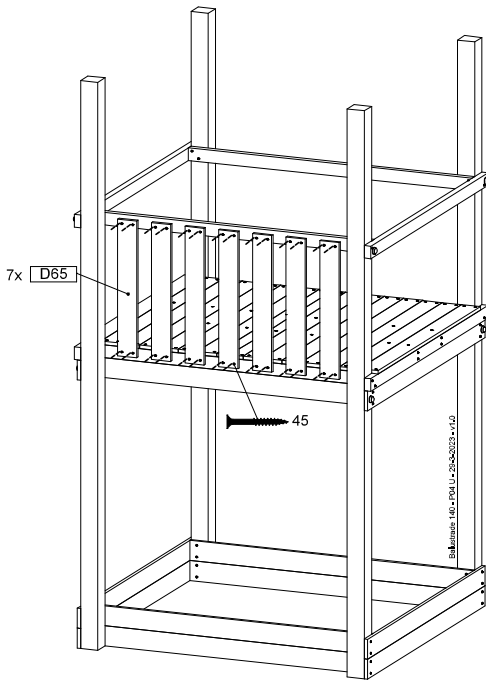
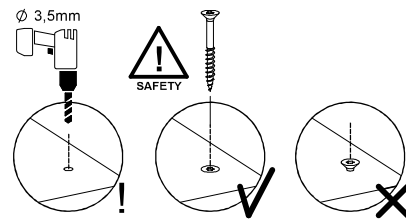
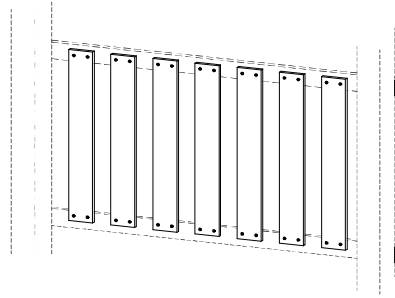
2.2



3 BL05a: Balustrade 140 U

(194_501)

	PartNo	PartName	QTY.
Hardware pack	002_220	Gap Point Screw T25 - 5x45	28
Timber	D65	Board 650 mm	7

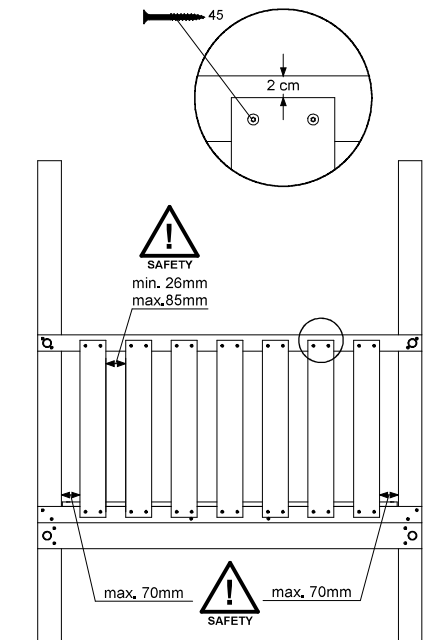
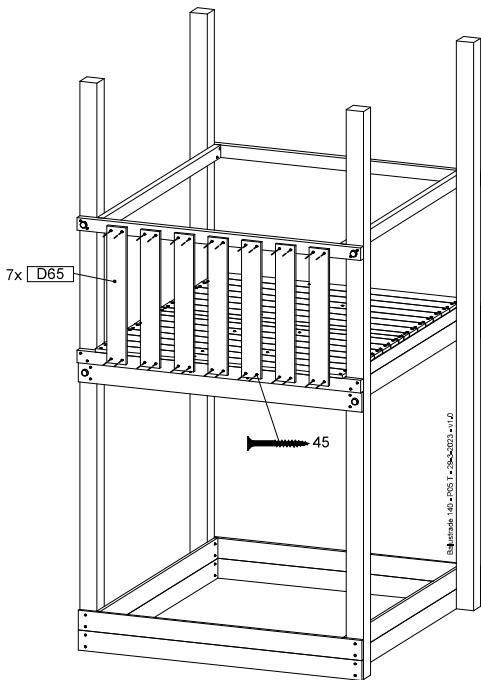
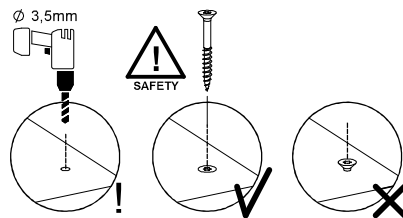
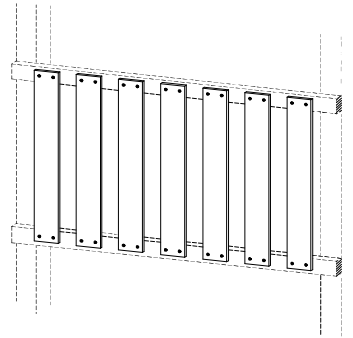


4 BL06a: Balustrade 140 T

(194_501)

	PartNo	PartName	QTY.
Hardware pack	002_220	Gap Point Screw T25 - 5x45	28
Timber	D65	Board 650 mm	7

Balustrade 140 T 25x45x203x11,0

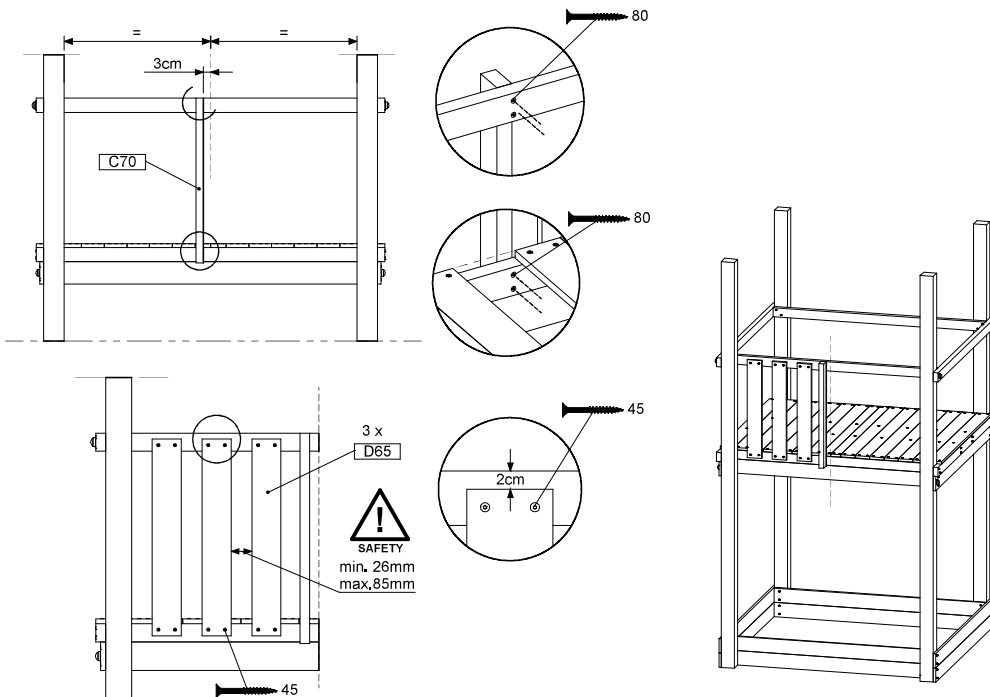
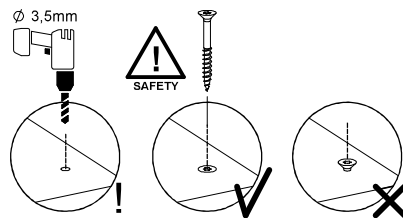
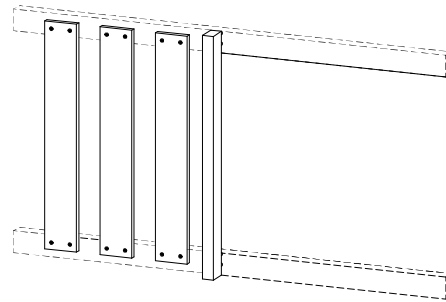


5 BL07a: Half Balustrade U Left

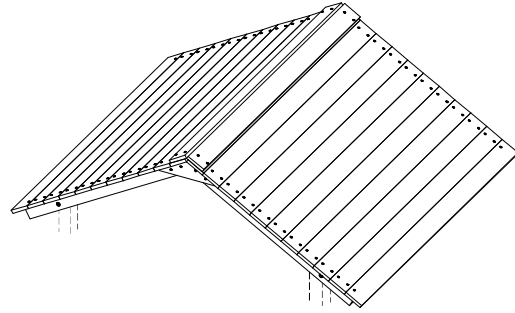
(194_101)

	PartNo	PartName	QTY.
Hardware pack	002_220	Gap Point Screw T25 - 5x45	12
	002_223	Gap Point Screw T25 - 5x80	4
Timber	C70	Beam 700 mm	1
	D65	Board 650 mm	3

DL Half Balustrade 700 (0=PCG, L=25x3x203=1)

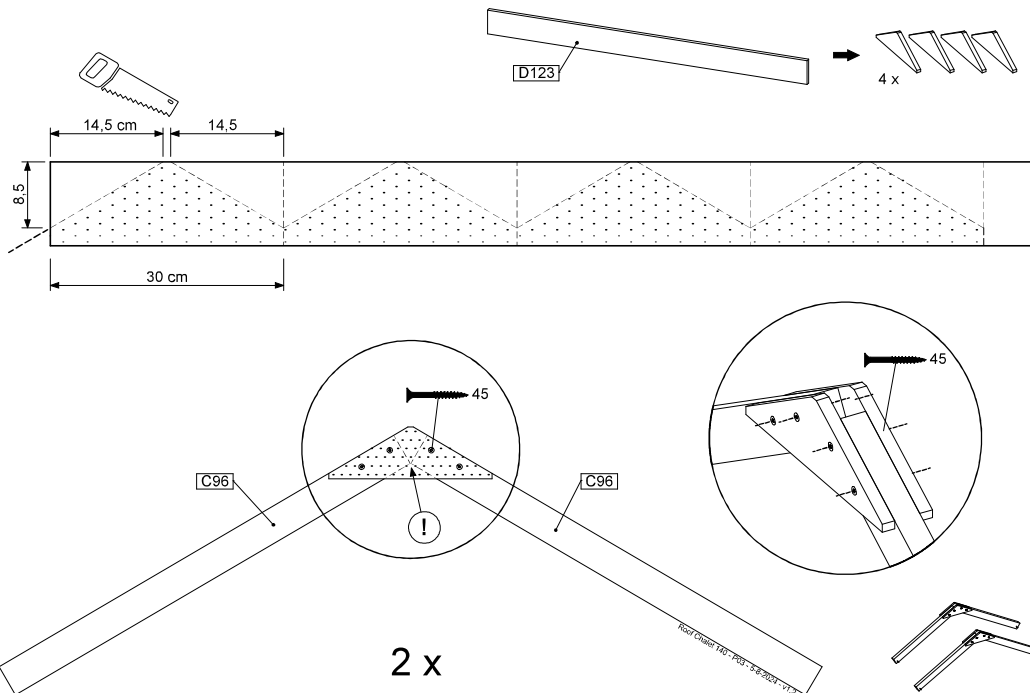
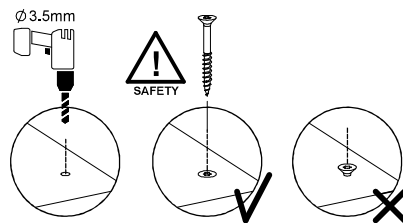


6 RF15b: Roof Timber Slope 140 - 2.0

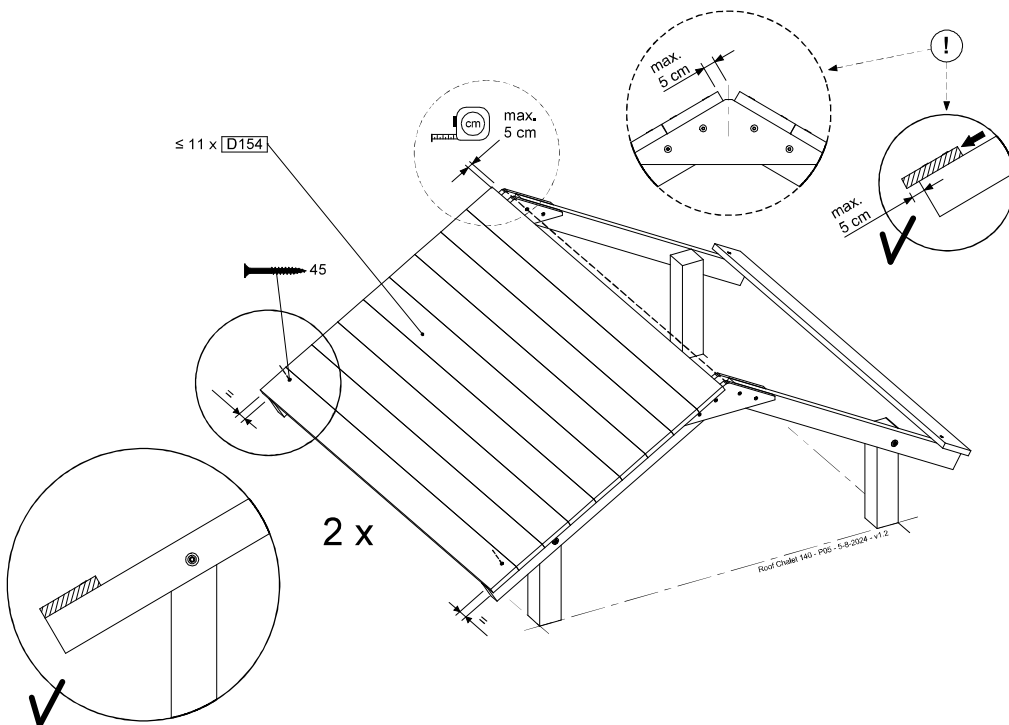
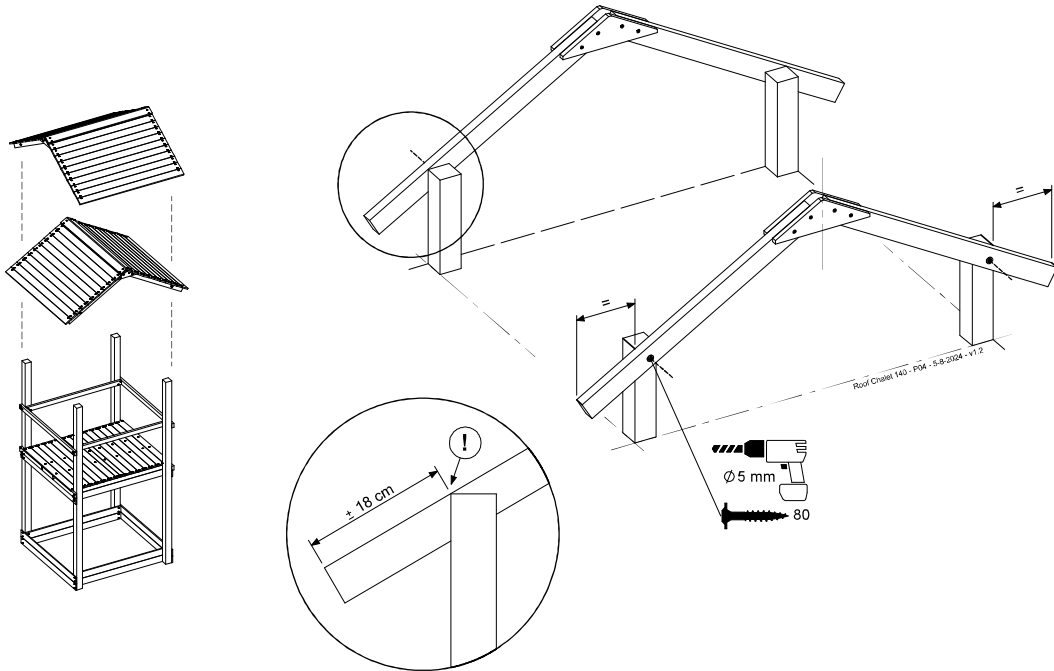


Assembly Pack: 194_508 / 194_804

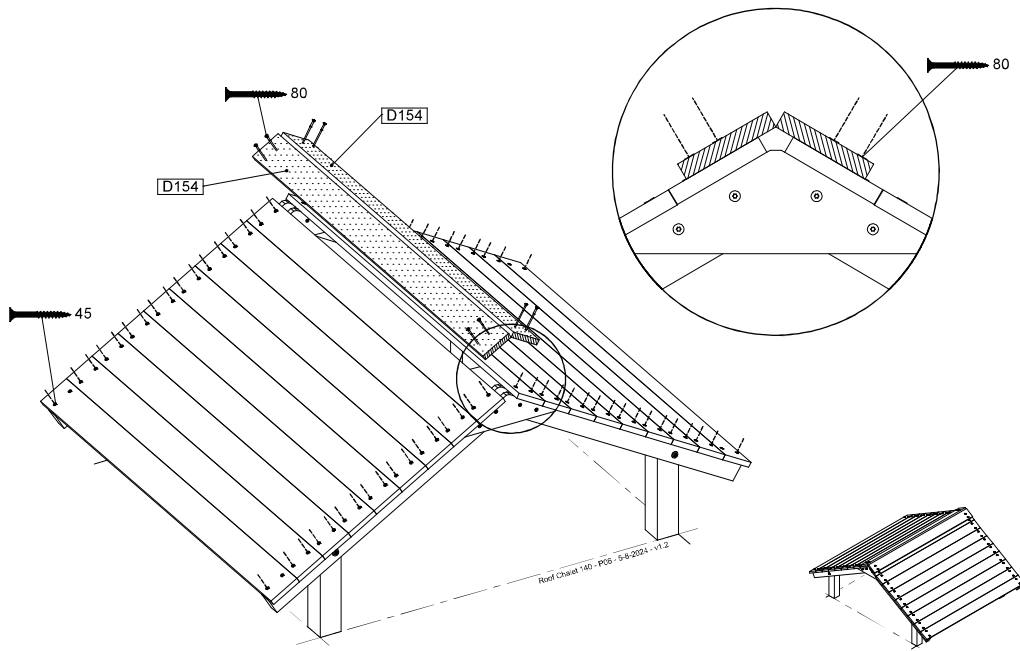
	PartNo	PartName	QTY.
Hardware pack	001_417	Stealth Screw 8x80	4
	002_220	Gap Point Screw T25 - 5x45	108
Timber	C96	Beam 960 mm	4
	D123	Board 1230 mm	1
	D154	Board 1540 mm	24



6.1



6.2

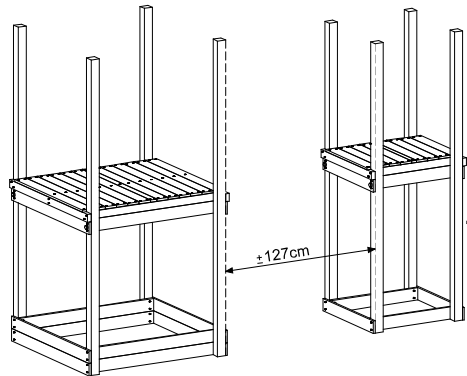
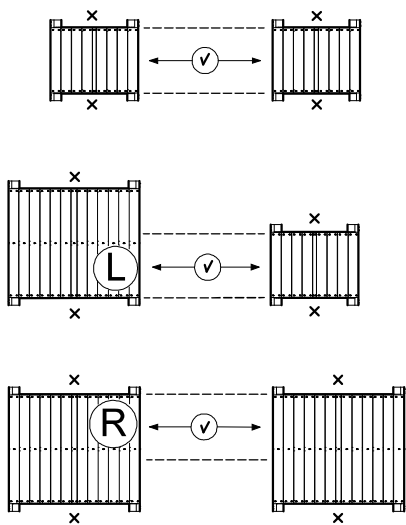
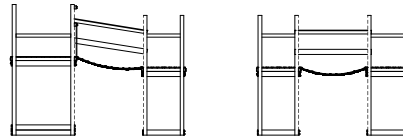
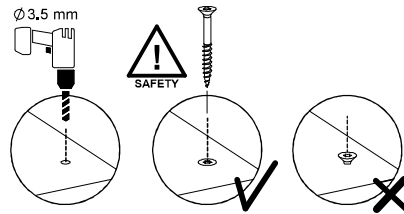
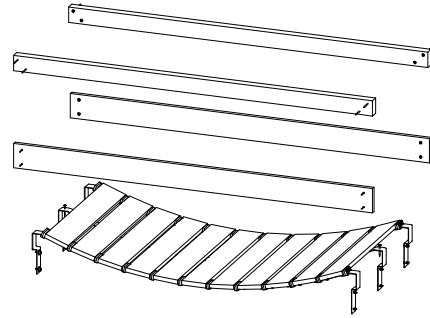


7 CB01a: Clatter Bridge - PART 1

Assembly Pack: 194_116

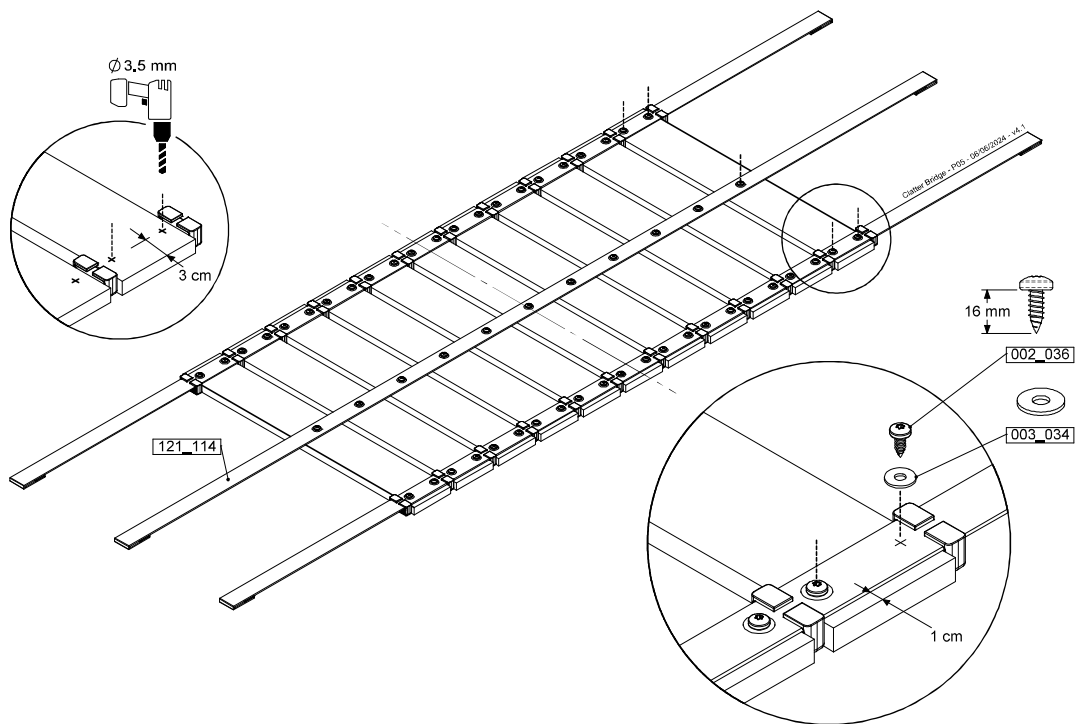
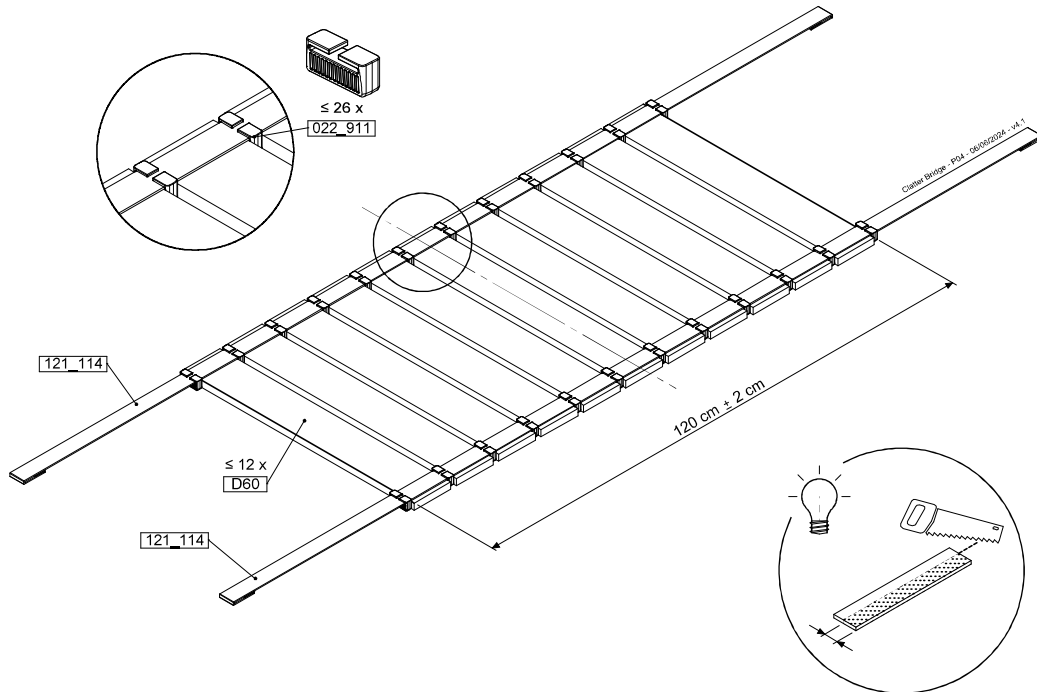
	PartNo	PartName	QTY.
Hardware + Parts	002_036	16mm Pan Head Tapping Screw T25	72
	002_220	Gap Point Screw T25 - 5x45	10
	002_223	Gap Point Screw T25 - 5x80	12
	003_034	M6 Washer	72
	022_911	Bridge Spacer	26
	121_114	BridgeLink Strap 210cm	3
Timber	C141	Beam 1410 mm	2
	D60	Board 600 mm	12
	D141	Board 1410 mm	2

Clatter Bridge - 194_116 - 08/2024 - v4.1

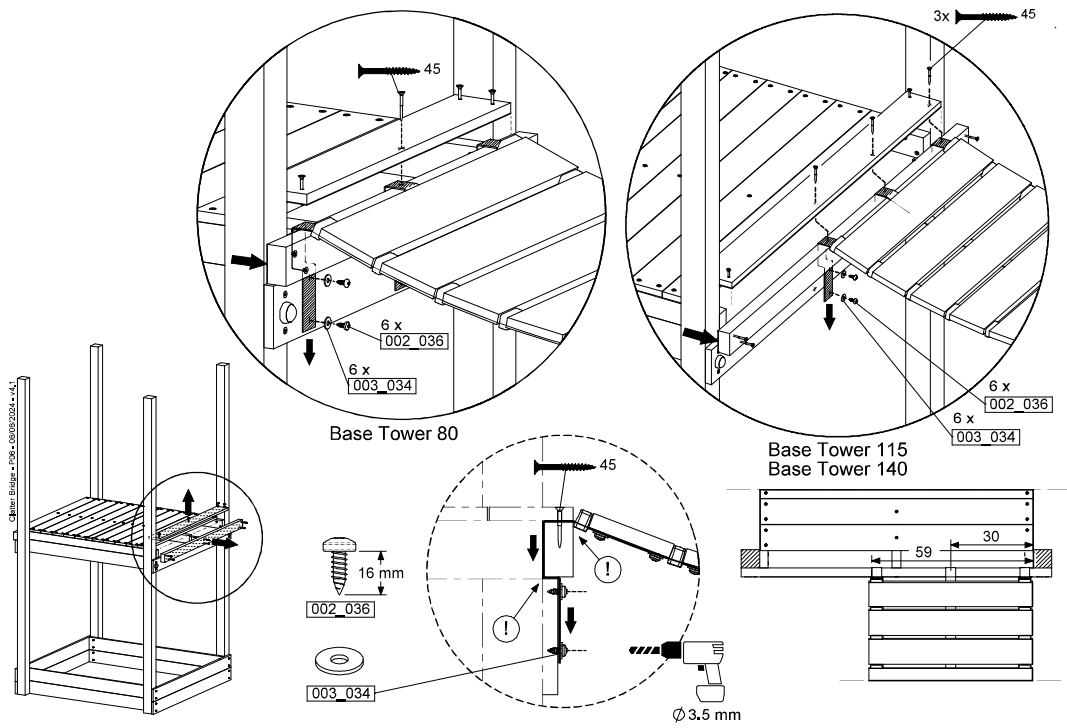


Design code: CroXs1, © 2024 Jungle Gym B.V. Copyrighted material. All rights reserved. Single-owner licensed. No part of this document may be reproduced or utilized otherwise in any form or by any means, electronic or mechanical, including photocopying, or posting on the internet or an intranet, copying and networking prohibited.

7.1



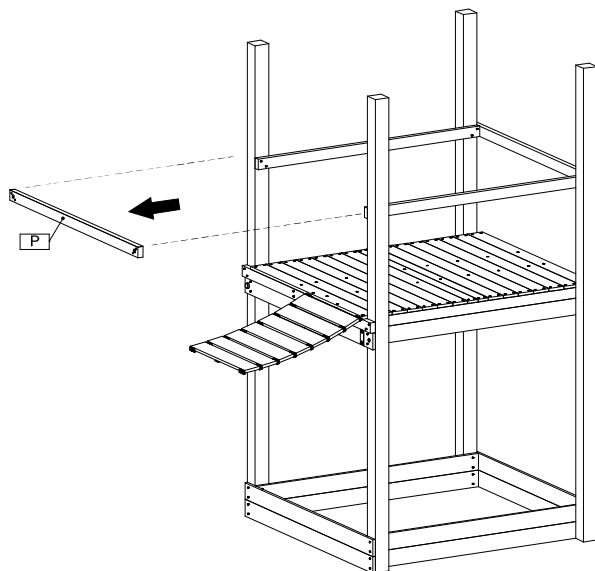
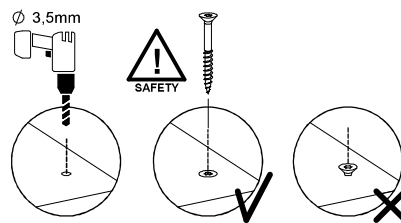
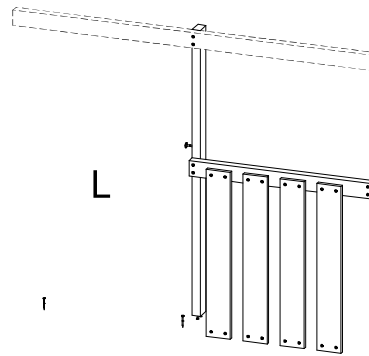
7.2



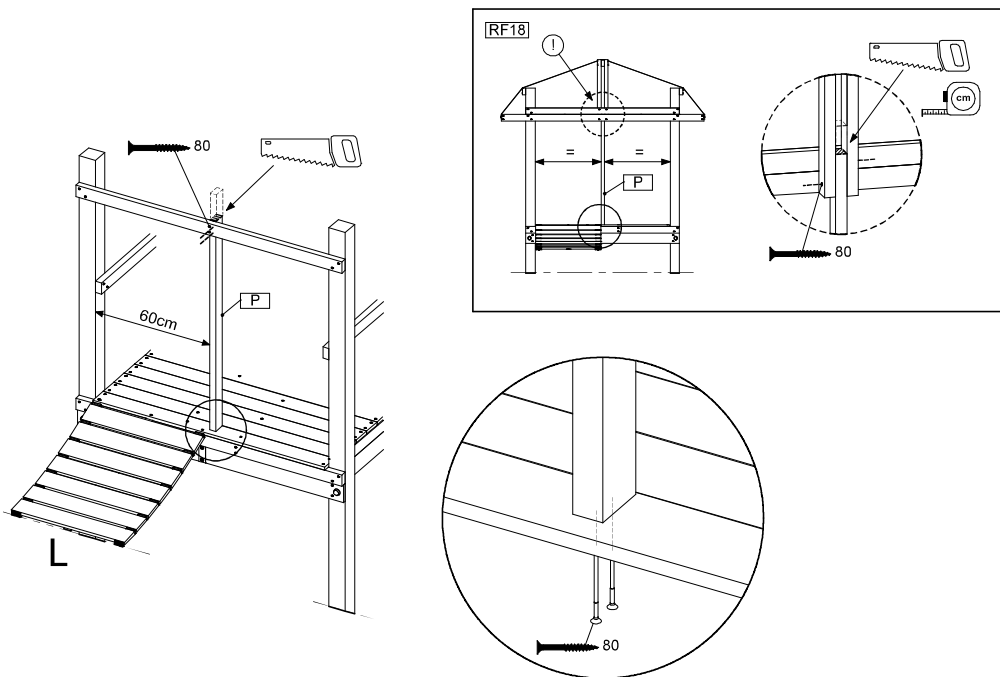
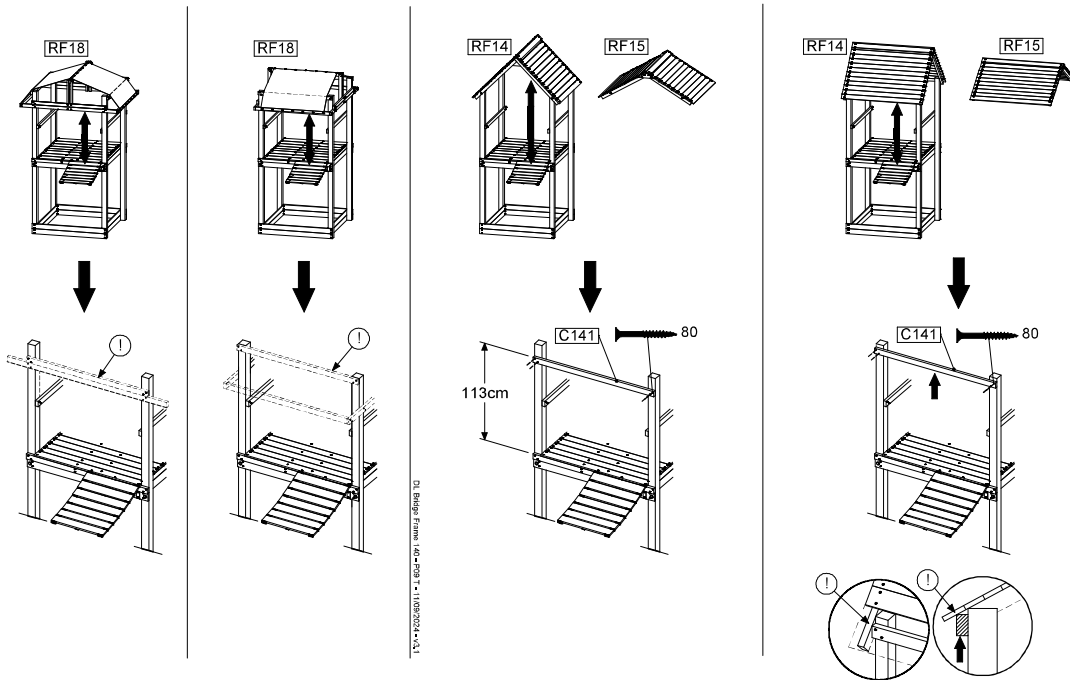
8 BF23a: Bridge Frame 140 T Left

Assembly Pack: 194_007 (a) / 194_802 (b)

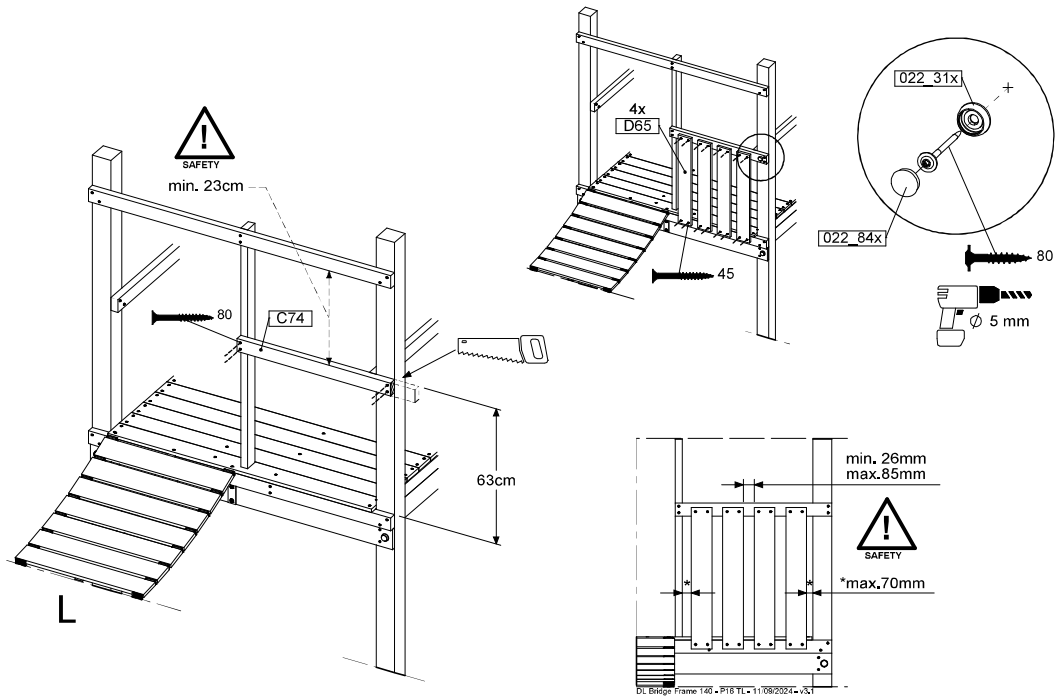
	PartNo	PartName	QTY.
Hardware + Parts	001_411	Stealth Screw 8x60	1
	002_220	Gap Point Screw T25 - 5x45	18
	002_223	Gap Point Screw T25 - 5x80	8
Timber	C74	Beam 740 mm	1
	C141	Beam 1410 mm	1
	D65	Board 650 mm	4



8.1



8.2

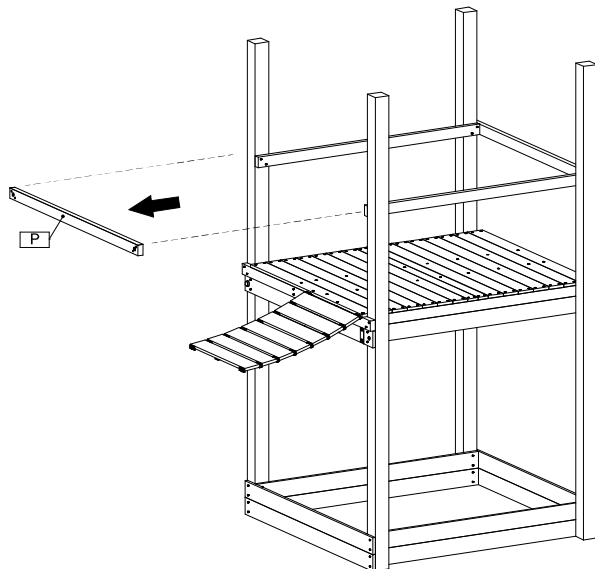
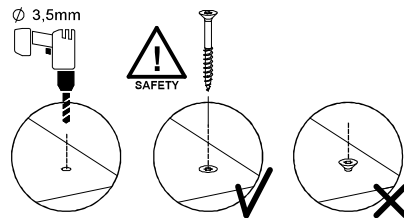
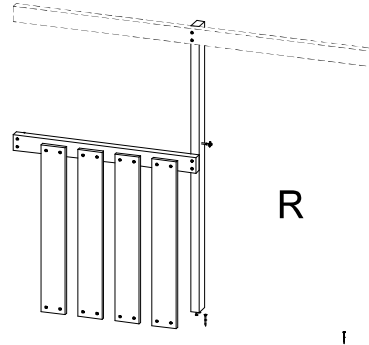


9 BF24a: Bridge Frame 140 T Right

Assembly Pack: 194_007 (a) / 194_802 (b)

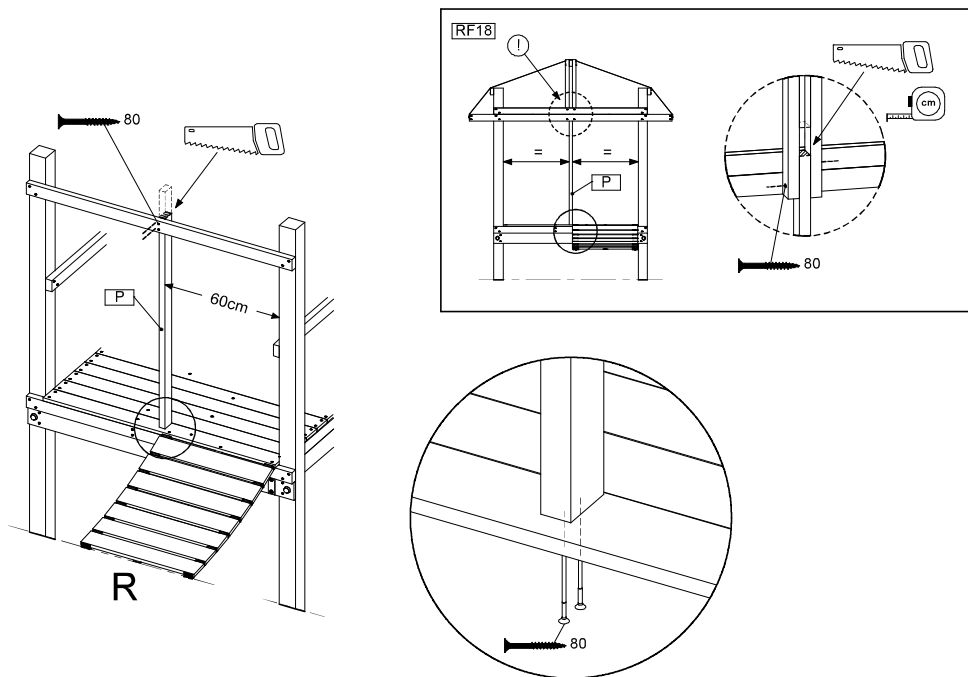
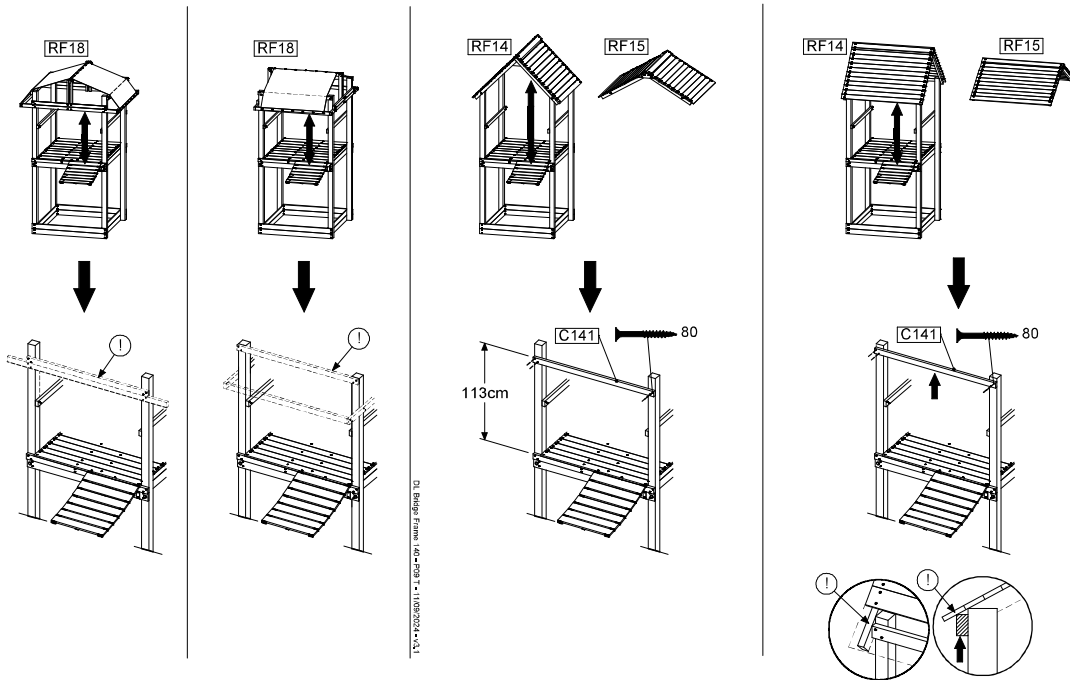
	PartNo	PartName	QTY.
Hardware + Parts	001_411	Stealth Screw 8x60	1
	002_220	Gap Point Screw T25 - 5x45	18
	002_223	Gap Point Screw T25 - 5x80	8
Timber	C74	Beam 740 mm	1
	C141	Beam 1410 mm	1
	D65	Board 650 mm	4

DL Bridge Frame 140 T R = 110302021 = v3.2

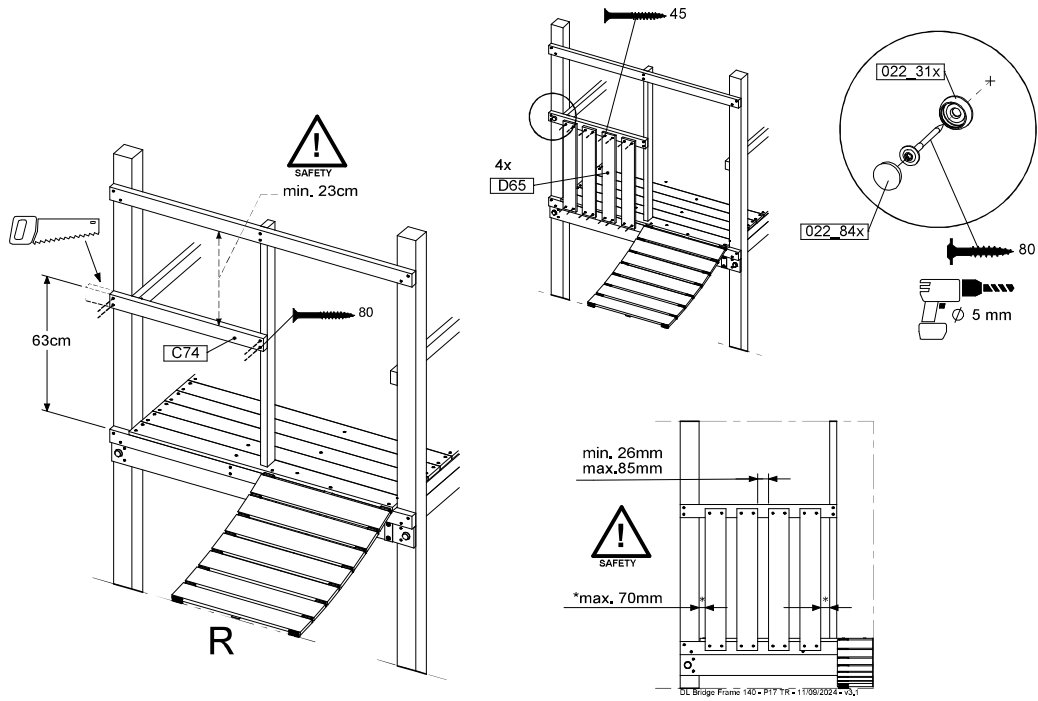


DL Bridge Frame 140 T R = 110302021 = v3.2

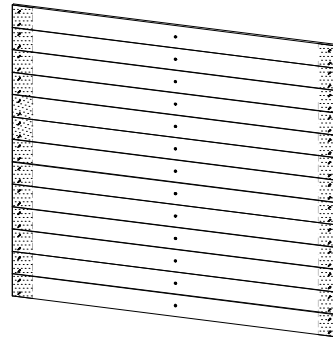
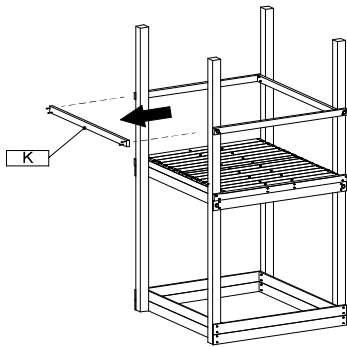
9.1



9.2

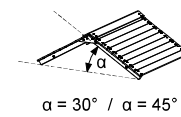
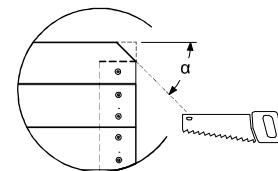
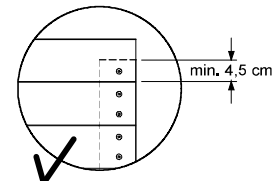
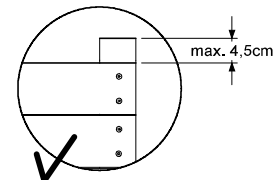
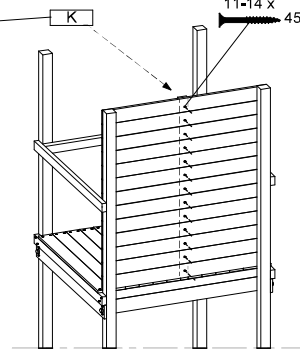
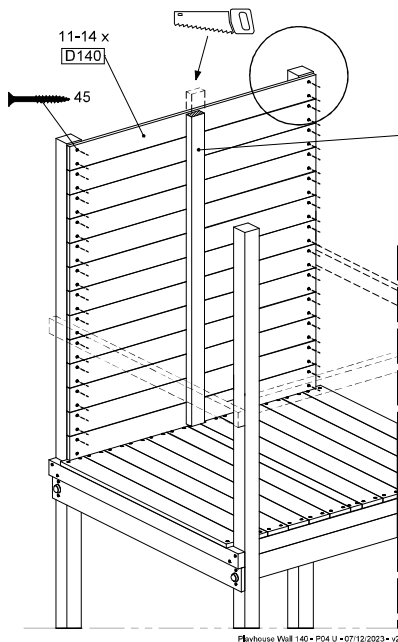
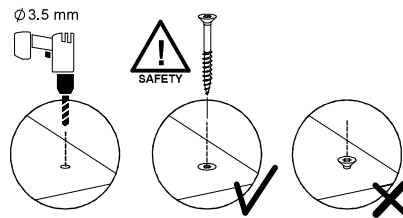


10 PH20a: Playhouse Wall Panel 140 U



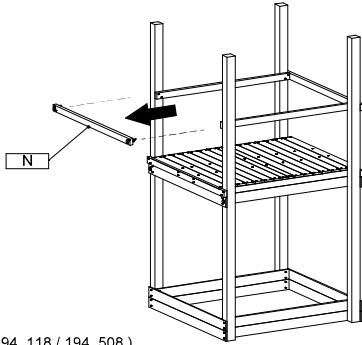
(194_809)

	PartNo	PartName	QTY.
Hardware Pack	002_220	Gap Point Screw T25 - 5x45	70
	D141	Board 1410 mm	14



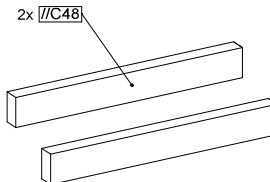
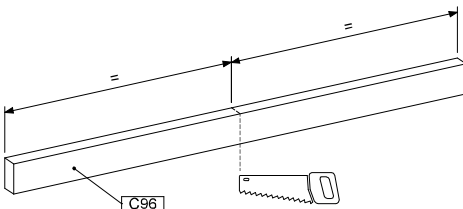
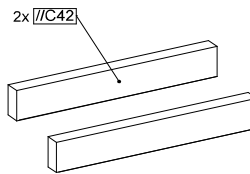
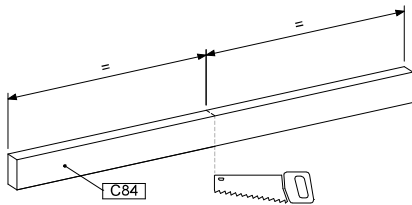
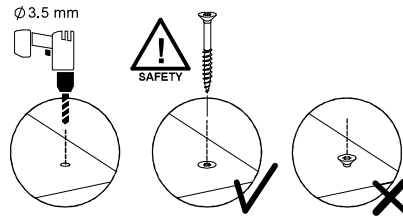
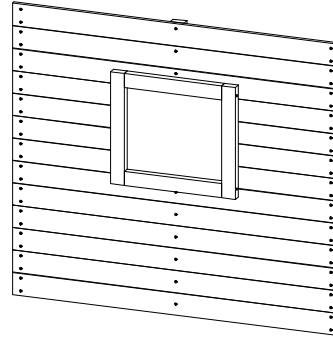
$\alpha = 30^\circ / \alpha = 45^\circ$

11 PH27c: Playhouse Window Panel 140 T 3.0

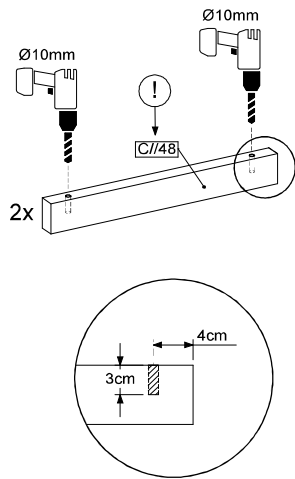


(194_118 / 194_508)

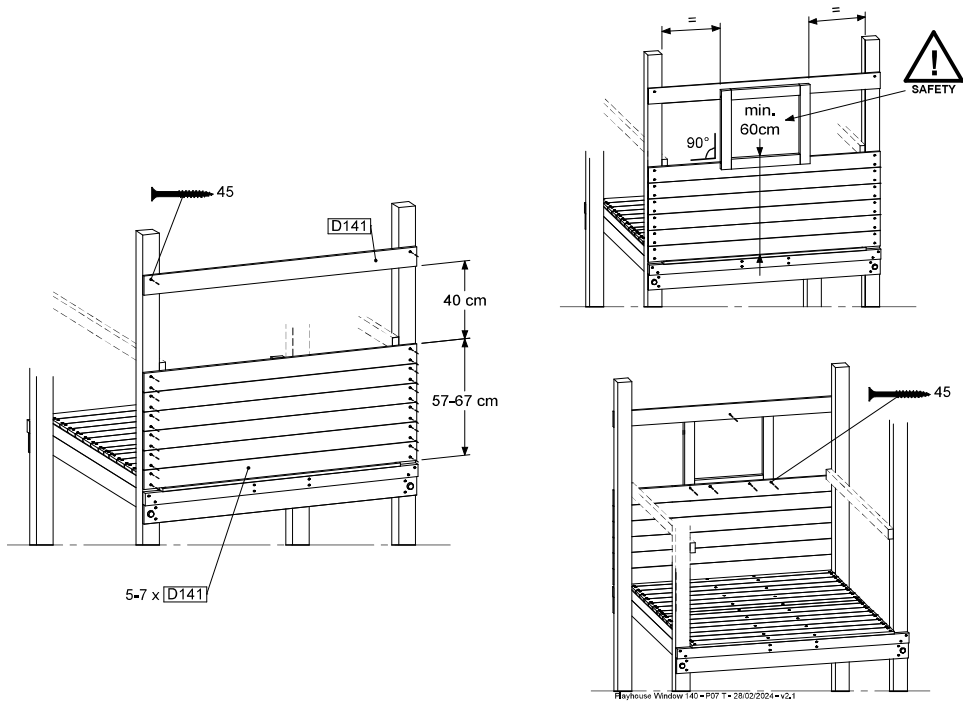
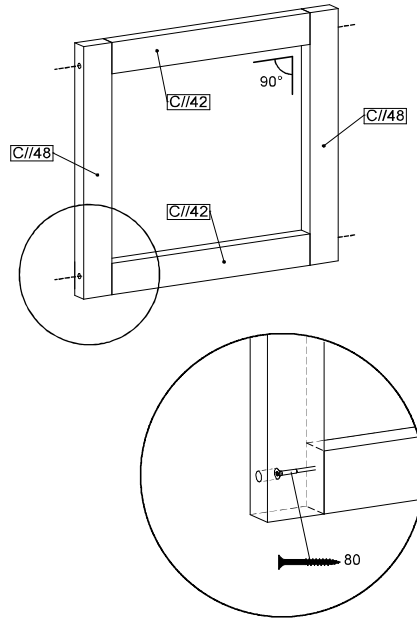
	PartNo	PartName	QTY.
Hardware Pack	002_220	Gap Point Screw T25 - 5x45	90
	002_223	Gap Point Screw T25 - 5x80	4
Timber	C84	Beam 840 mm	1
	C96	Beam 960 mm	1
	D47	Board 470 mm	8
	D141	Board 1410 mm	10



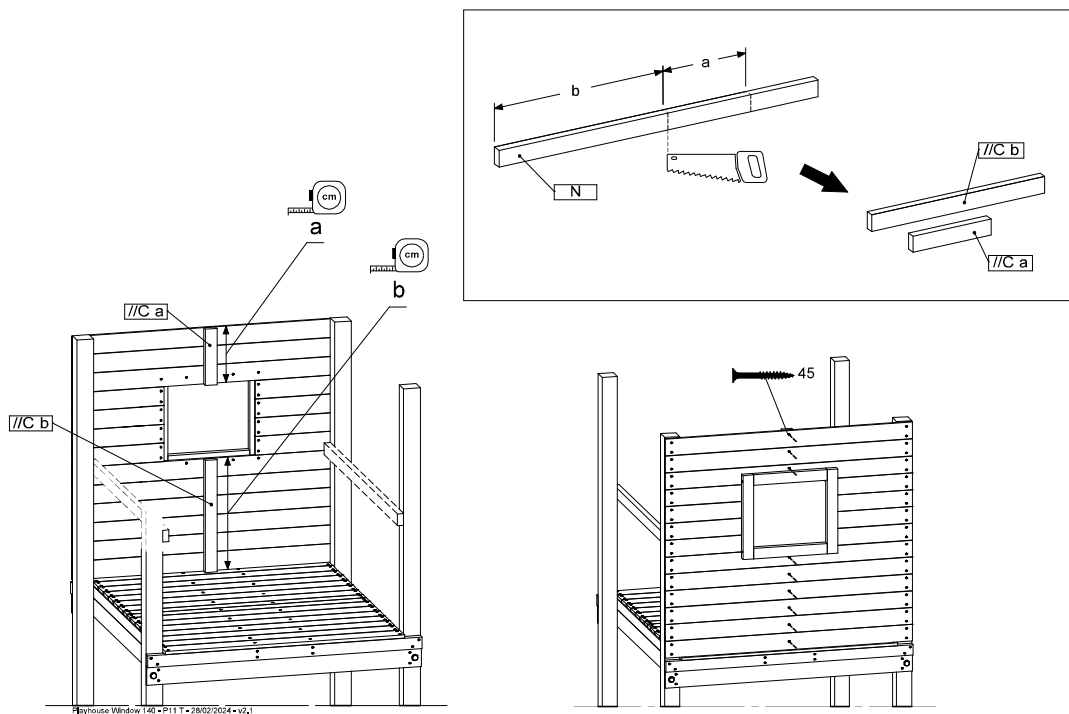
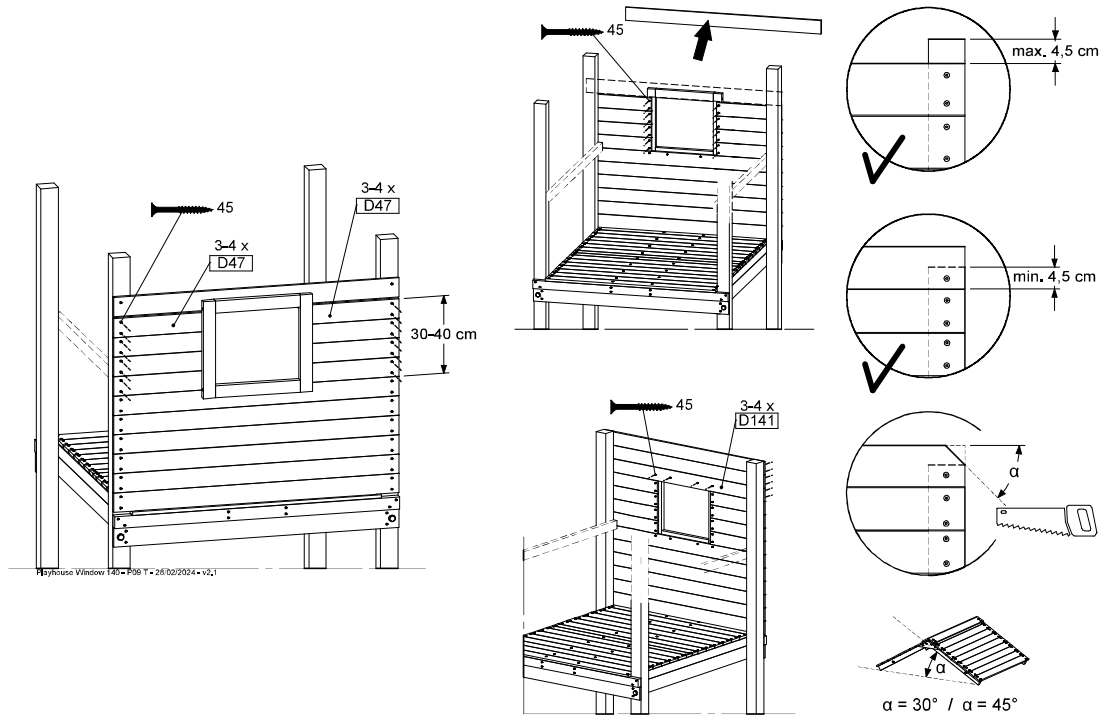
11.1



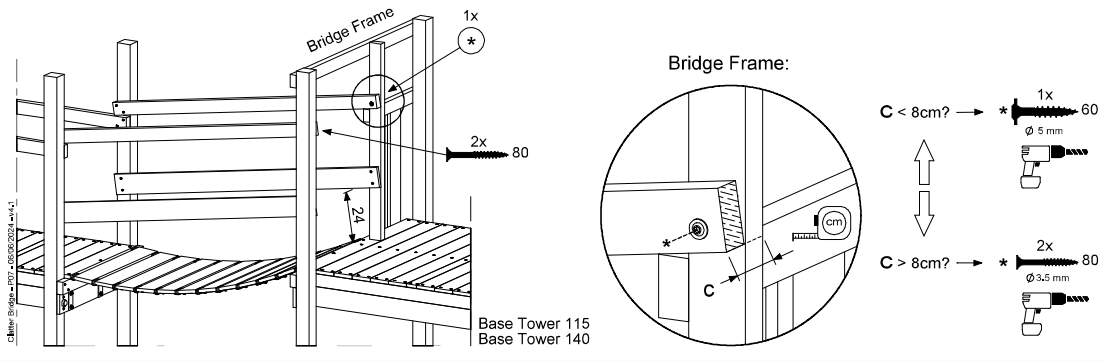
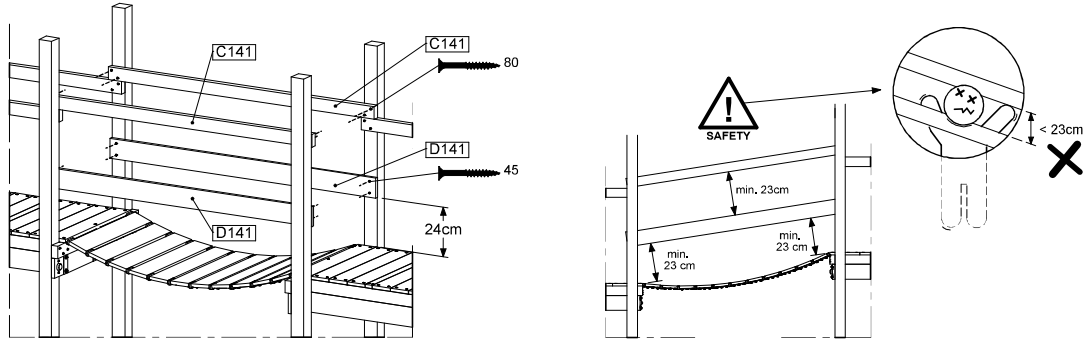
Flyhouse Window 140 - P07 - 28/02/2024 - v2.1



11.2



12 CB01a: Clatter Bridge - PART 2

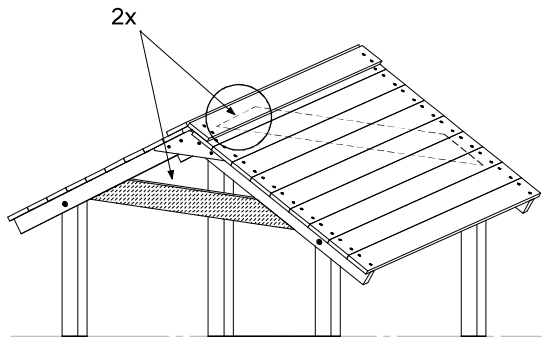
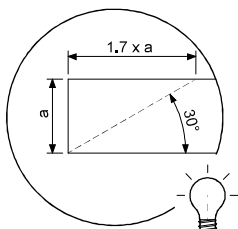
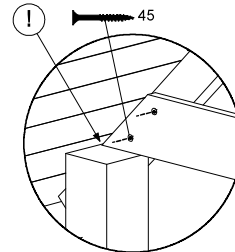
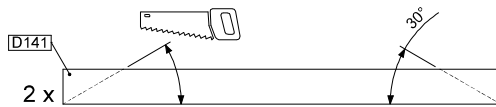
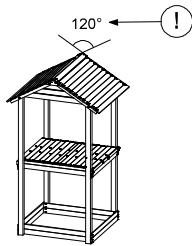
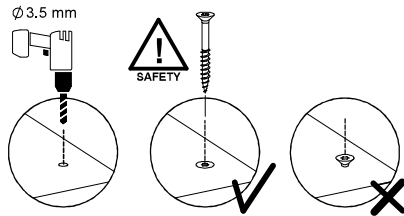
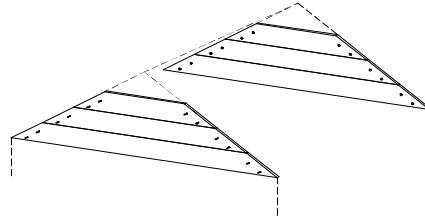


13 PH33a: Playhouse Roof Panels 140 120deg

(194_501)

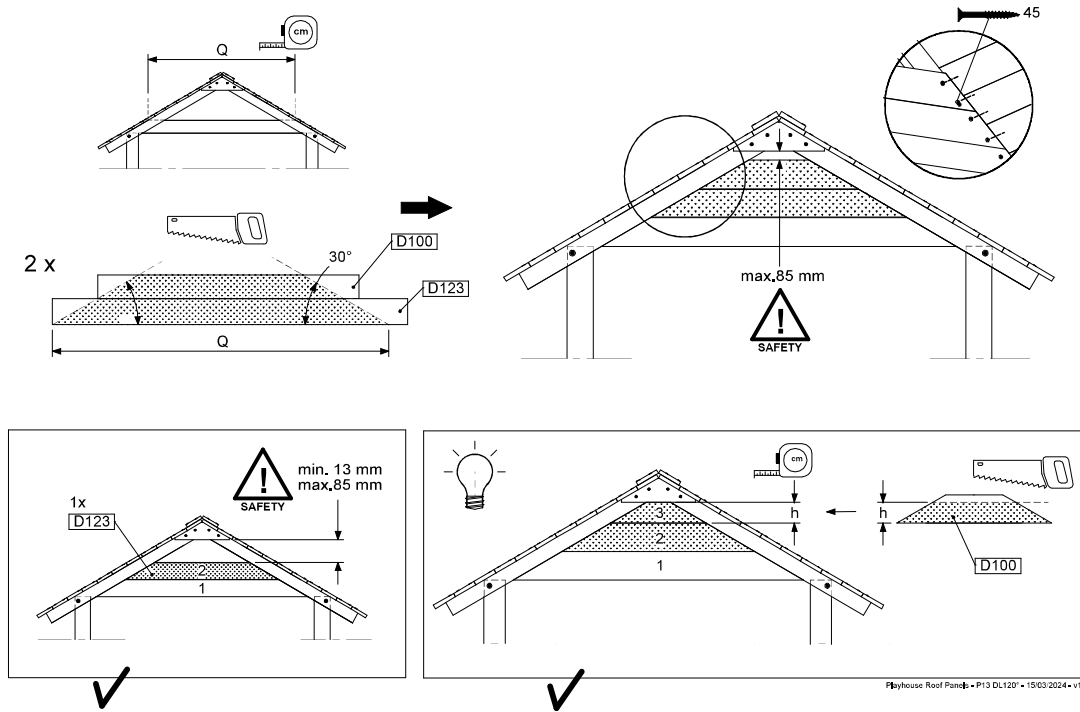
	PartNo	PartName	QTY.
Hardware Pack	002_220	Gap Point Screw T25 - 5x45	24
Timber	D100	Board 1000 mm	2
	D123	Board 1230 mm	2
	D141	Board 1410 mm	2

Playhouse Roof Panels - P109 DL120 - 15/03/2024 - v1.1



Playhouse Roof Panels - P109 DL120 - 15/03/2024 - v1.1

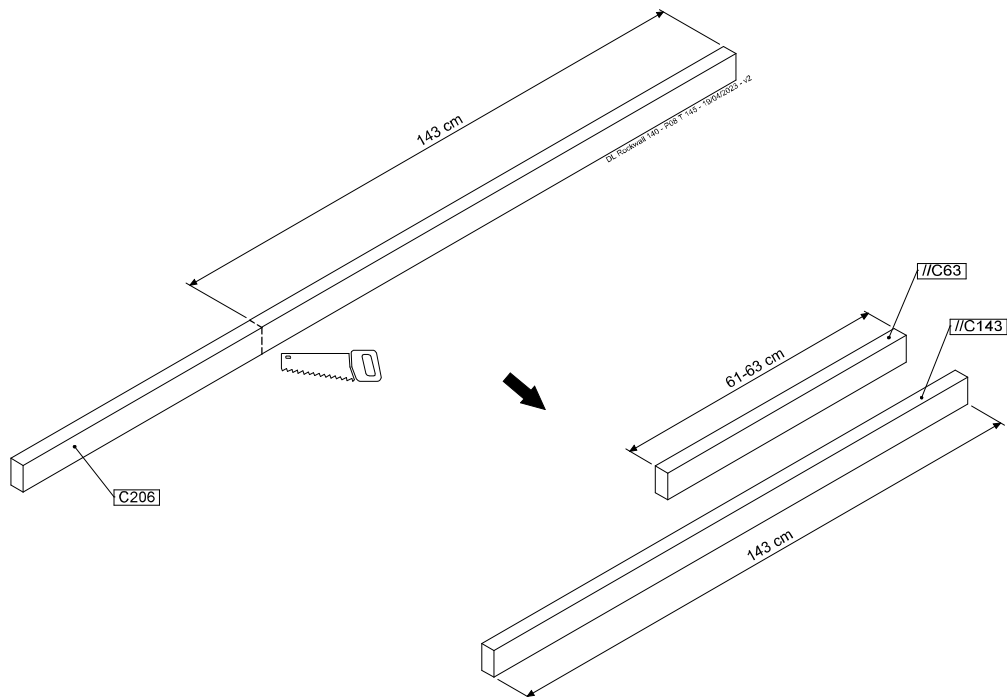
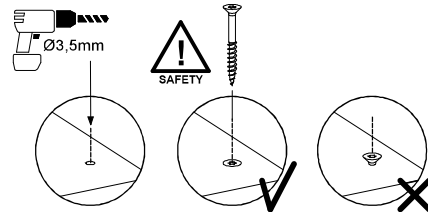
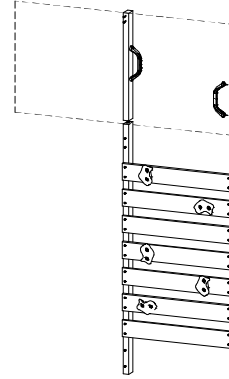
13.1



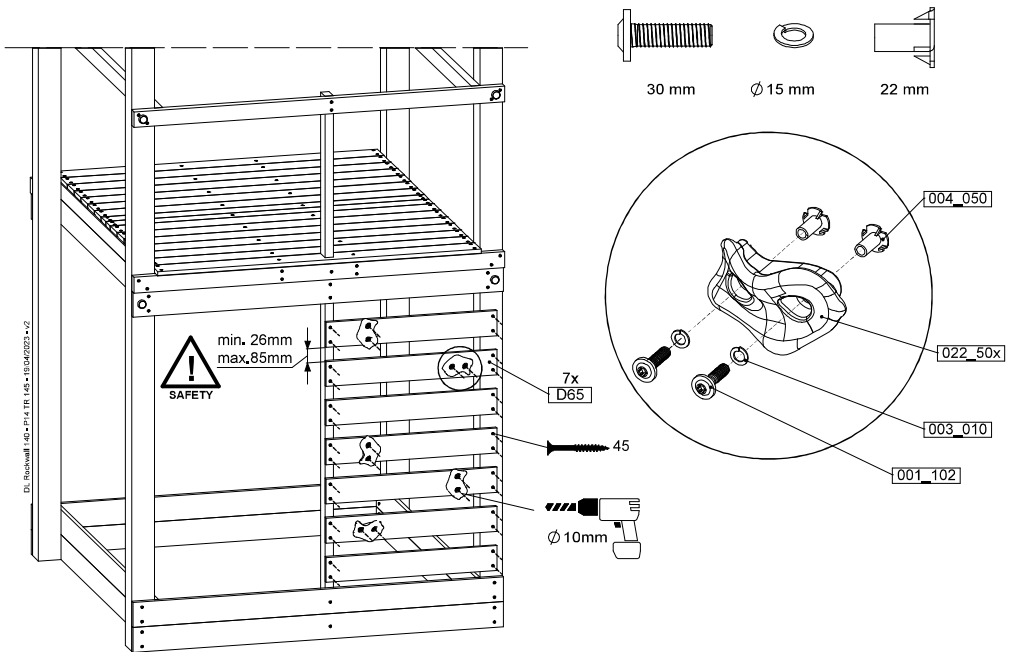
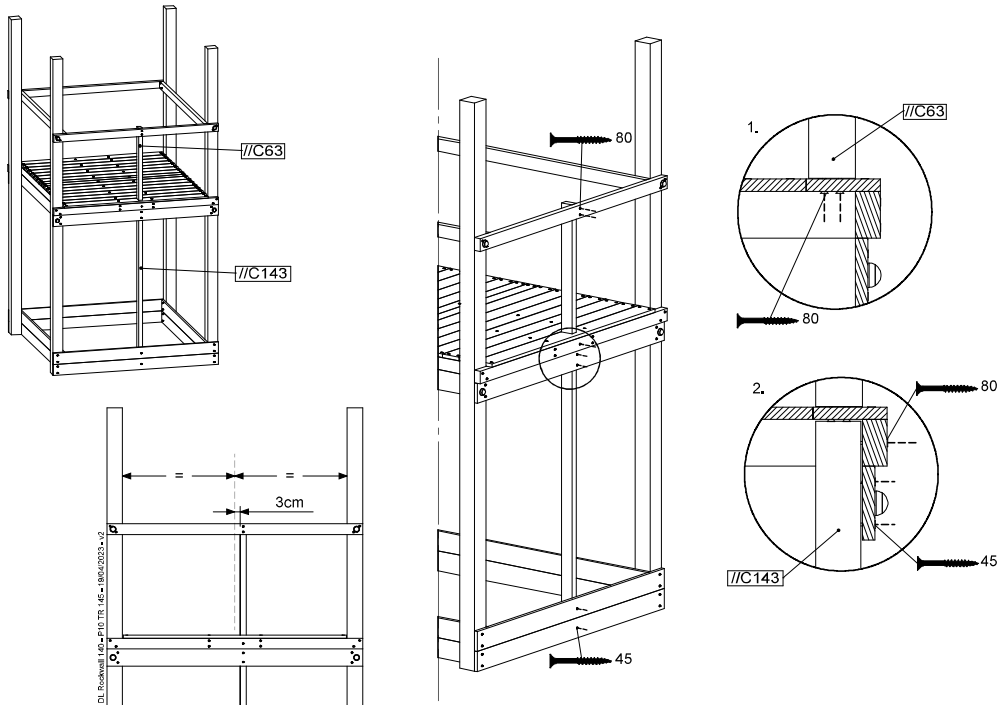
14 RW20a: Rock wall 140 145 T Right

(194_006)

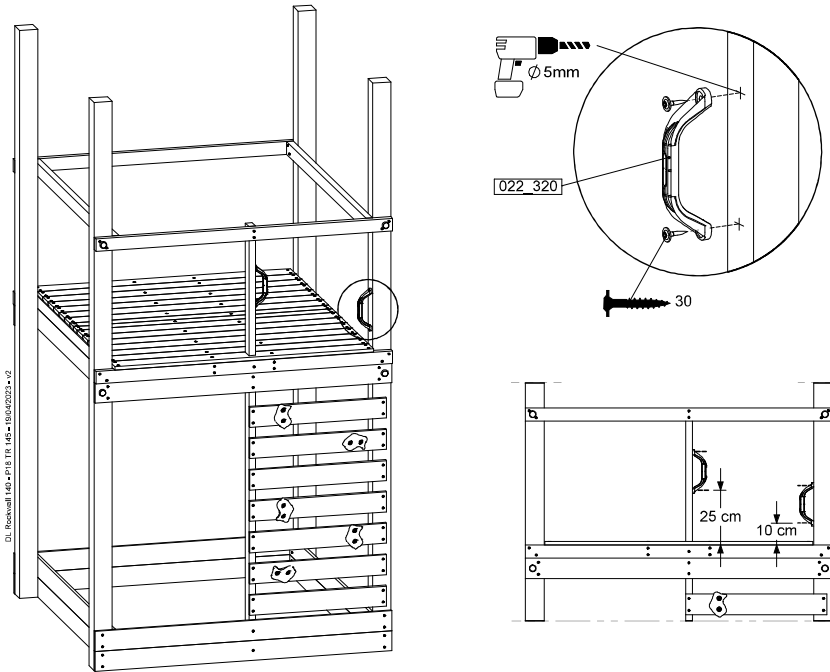
	PartNo	PartName	QTY.
Hardware pack	001_102	Washer Head Screw T40 M8x30	10
	002_220	Gap Point Screw T25 - 5x45	32
	002_223	Gap Point Screw T25 - 5x80	5
	003_010	M8 spring lock washer	10
	004_050	M8 Drive-in Nut 22mm	10
Other	022_50x	Climbing Rock	5
	120_102	Handgrip set (complete 2x)	1
Timber	C206	Beam 2060 mm	1
	D65	Board 650 mm	7



14.1



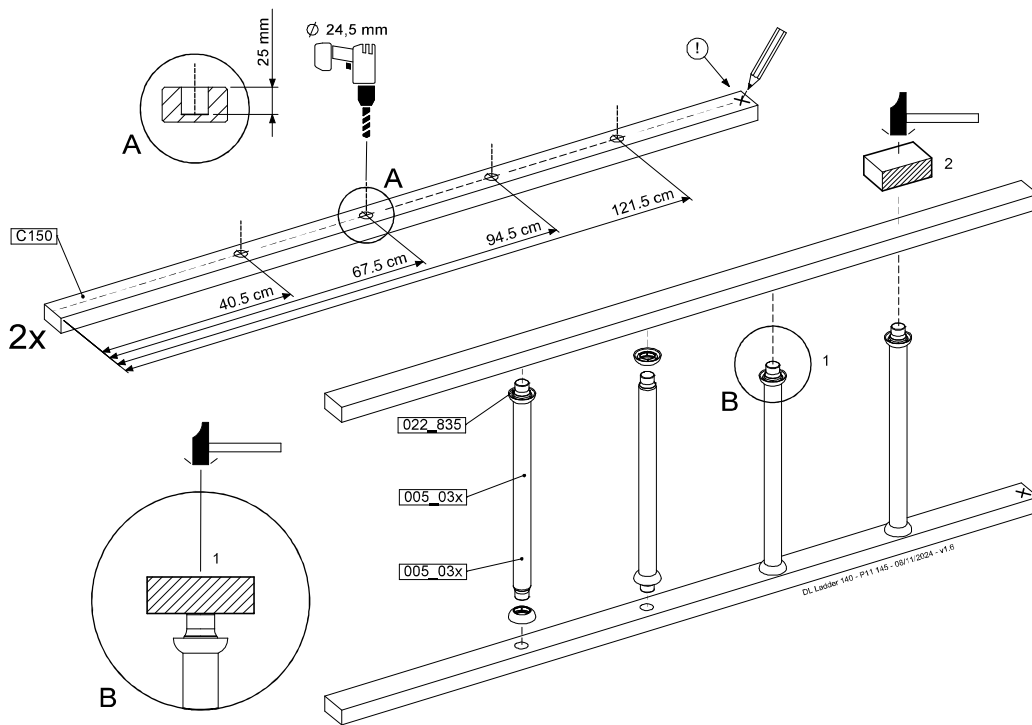
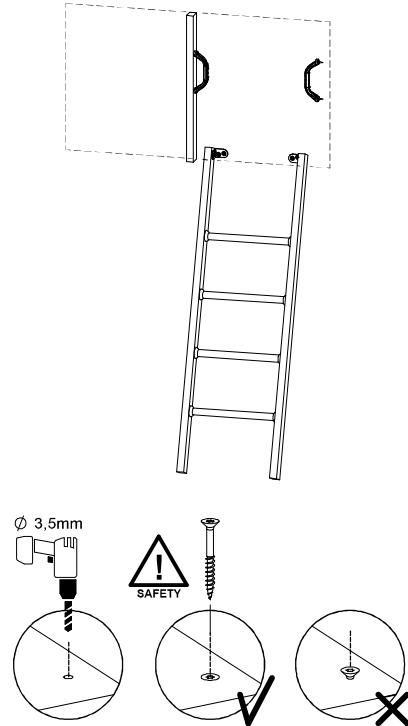
14.2



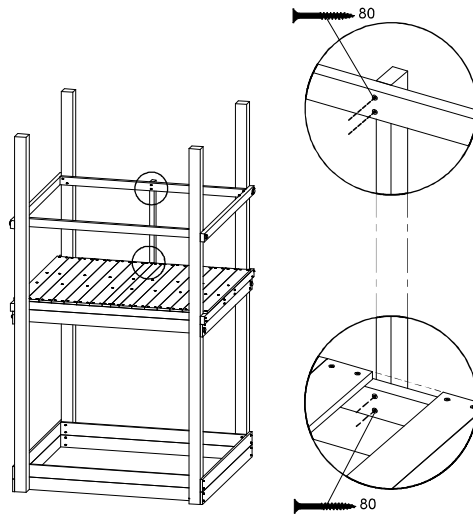
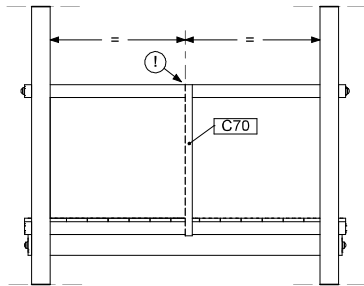
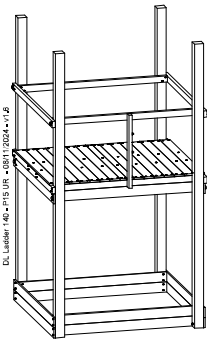
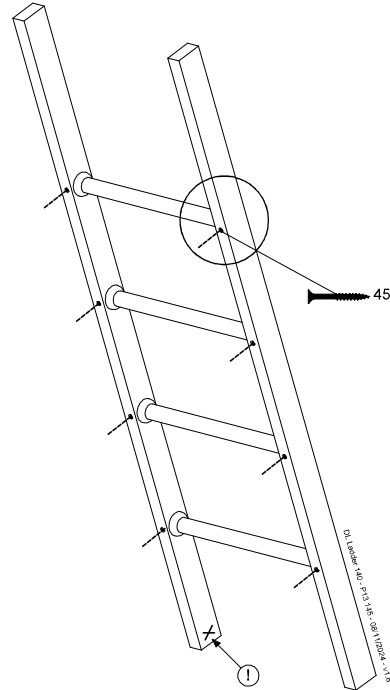
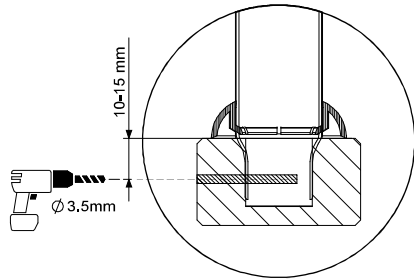
15 LA24a: Ladder 140 145 U Right

Assembly Pack: 194_004 / 194_104

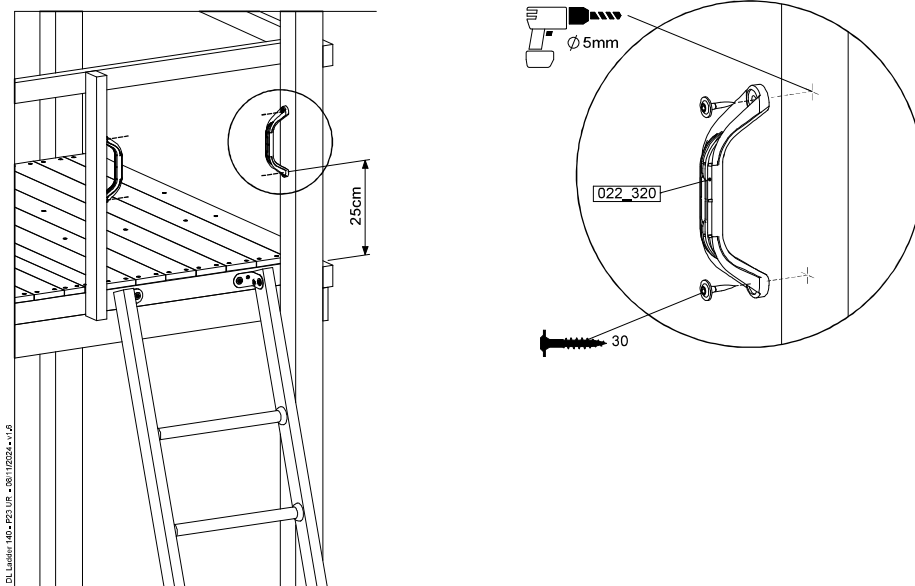
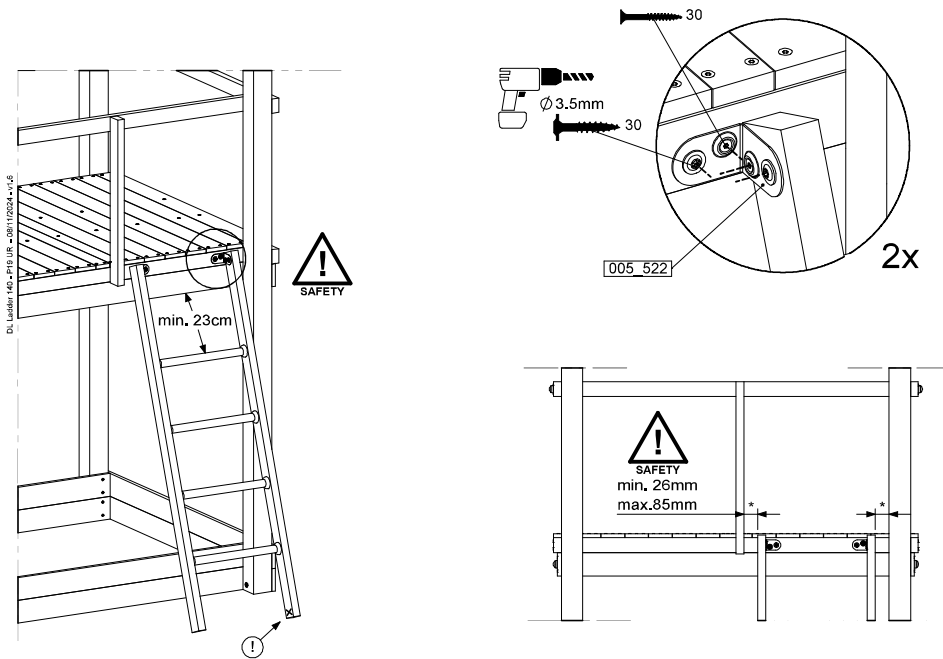
	PartNo	PartName	QTY.
Hardware + Parts	001_404	Stealth Screw 8x30	4
	002_219	Gap Point Screw T25 - 5x30	4
	002_220	Gap Point Screw T25 - 5x45	8
	002_223	Gap Point Screw T25 - 5x80	4
	005_03x	Ladder Rung Y/B/G/R	4
	005_522	Connection Bracket Mini Market	2
	022_835	Rung Cap	8
	120_102	Handgrip set (complete 2x)	1
Timber	C70	Beam 700 mm	1
	C150	Beam 1500 mm	2



15.1



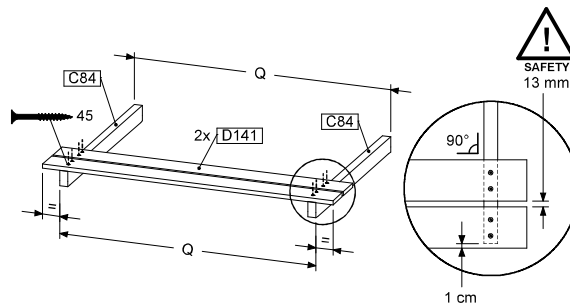
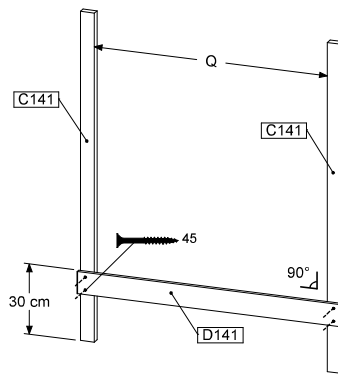
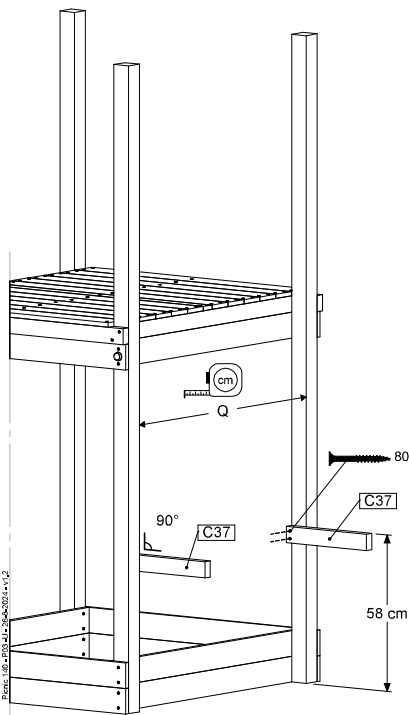
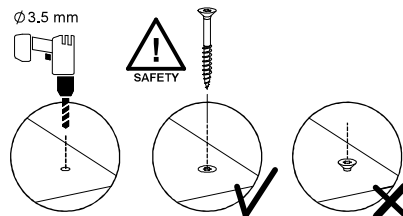
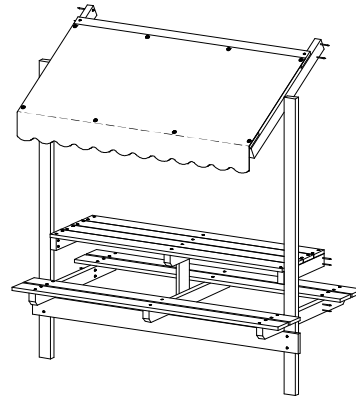
15.2



16 PC09a: Picnic 140 U

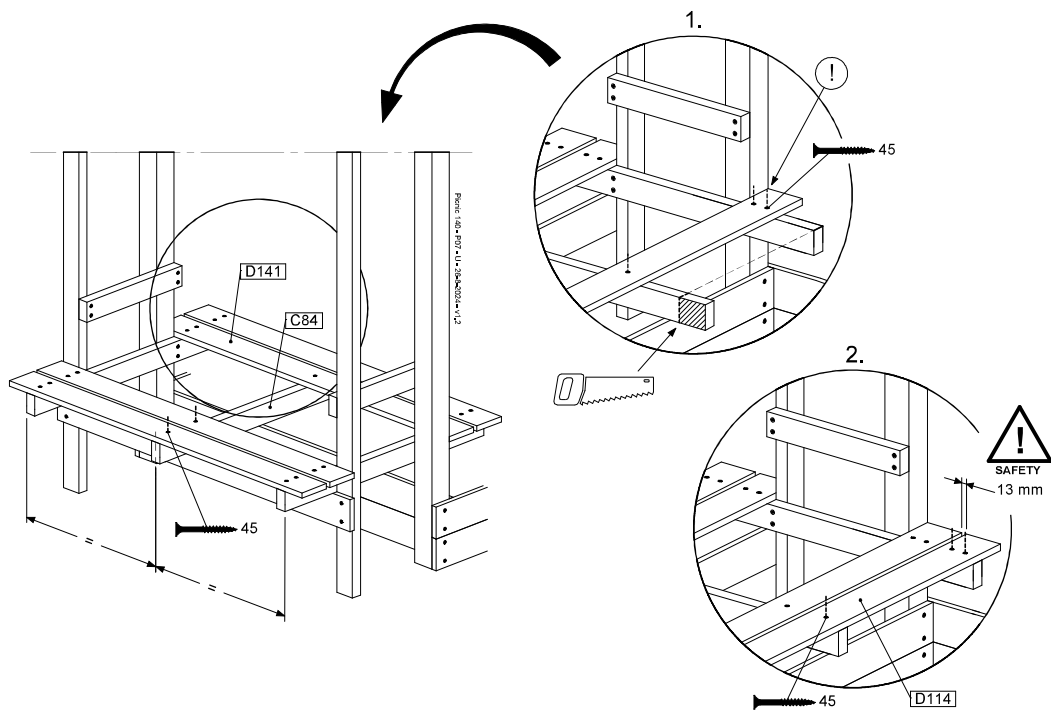
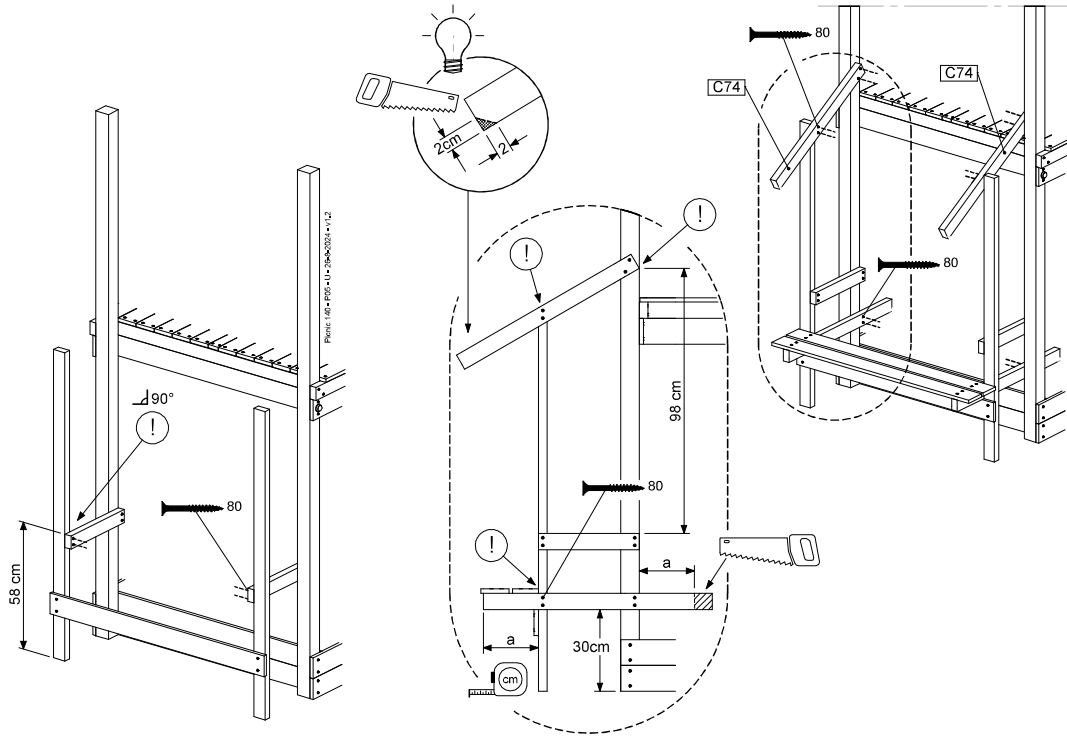
Assembly Pack: 194_810

	PartNo	PartName	QTY.
Hardware + Parts	002_220	Gap Point Screw T25 - 5x45	56
	002_223	Gap Point Screw T25 - 5x80	24
	002_308	Gap Point Screw T25 - 5x20	8
	023_031	Finishing Washer GPS 5.0	8
	123_220	Canvas sheet 735x1365mm	1
Timber	C37	Beam 370 mm	3
	C74	Beam 740 mm	2
	C84	Beam 840 mm	3
	C141	Beam 1410 mm	2
	D47	Board 470 mm	1
	D123	Board 1230 mm	6
	D141	Board 1410 mm	5

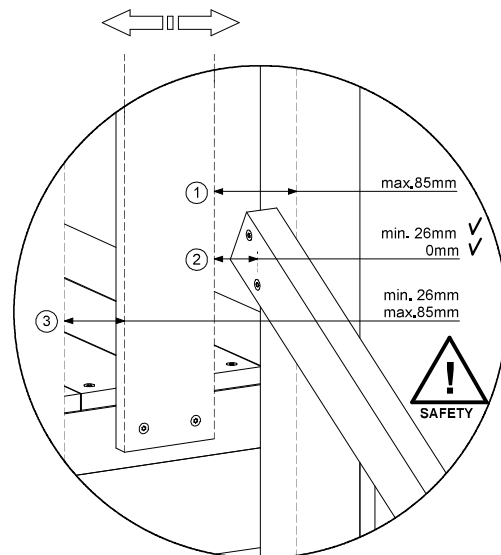
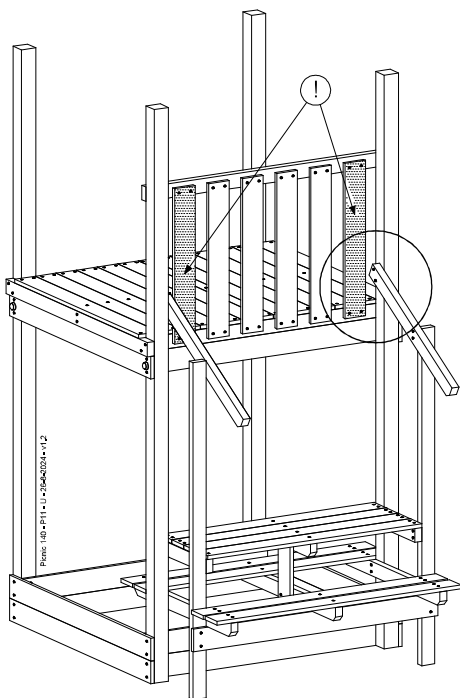
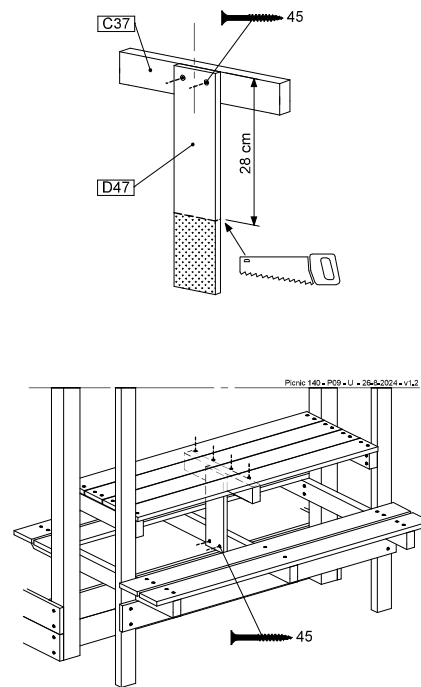
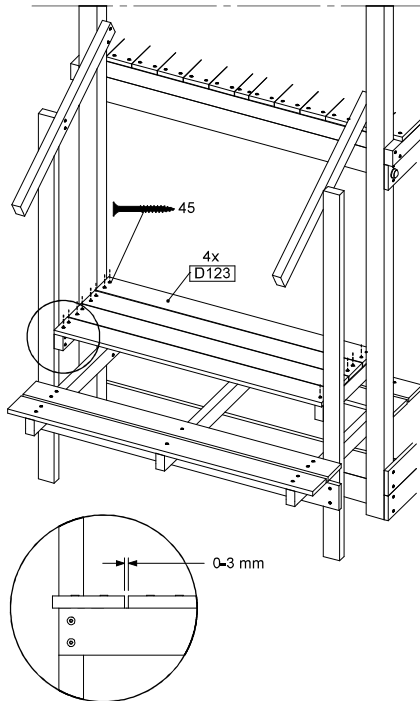


Design code: CroXs1, © 2024 Jungle Gym B.V. Copyrighted material. All rights reserved. Single-owner licensed. No part of this document may be reproduced or utilized otherwise in any form or by any means, electronic or mechanical, including photocopying, or posting on the internet or an intranet, copying and networking prohibited.

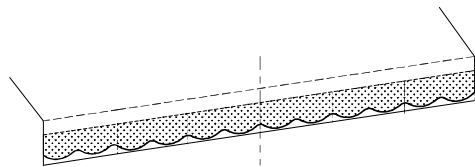
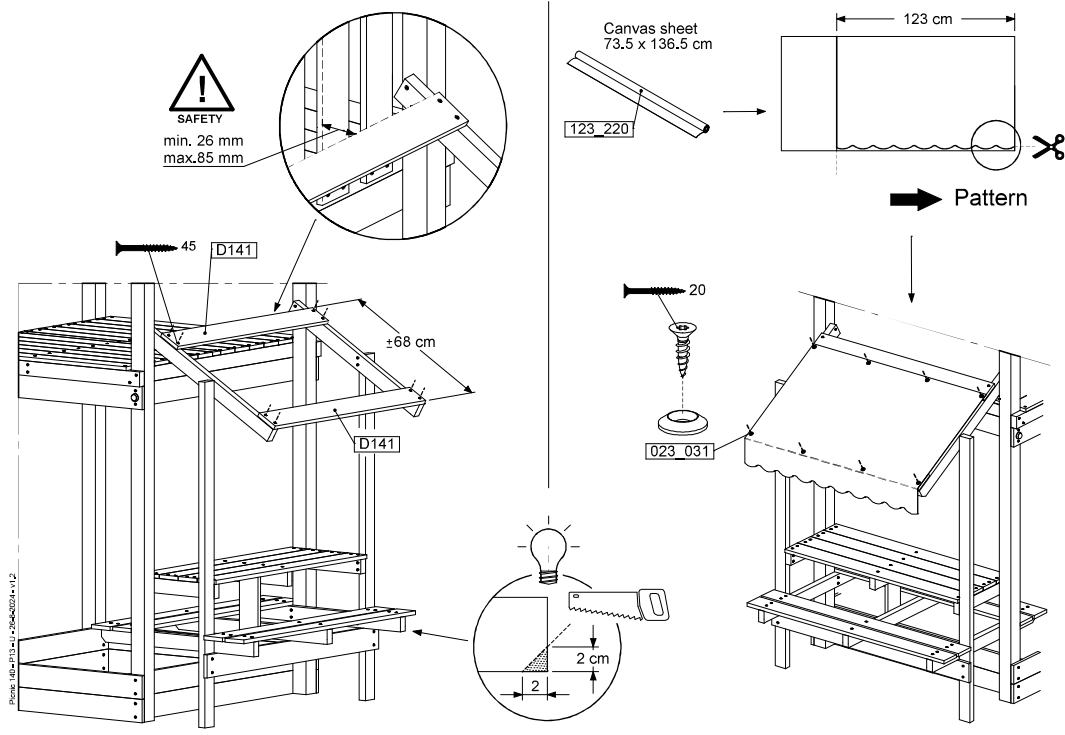
16.1



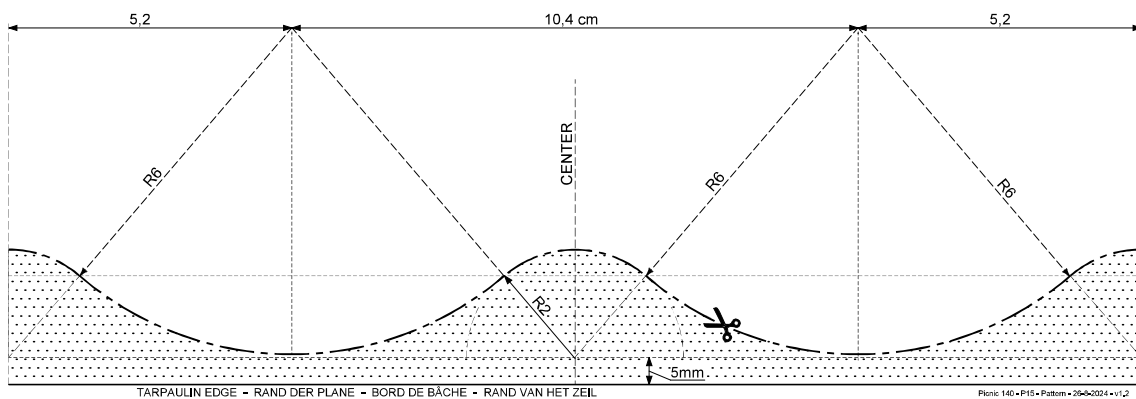
16.2



16.3

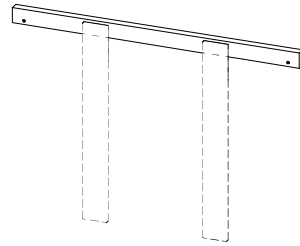
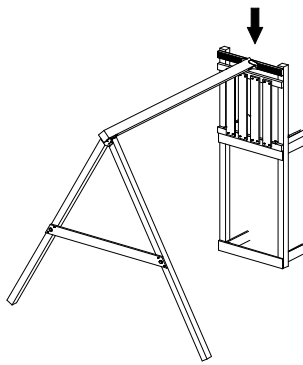


EXAMPLE PATTERN
BEISPIELVORLAGE FÜR MARKISE
SCHÉMA SUGGÉRÉ DE DÉCOUPE POUR AUVENT
VOORBEELDSJABLOON LUIFEL



! Scale of print may not be accurate.
Druckformat kann abweichen.
Les tailles imprimées peuvent varier.
Printformaat kan afwijken.

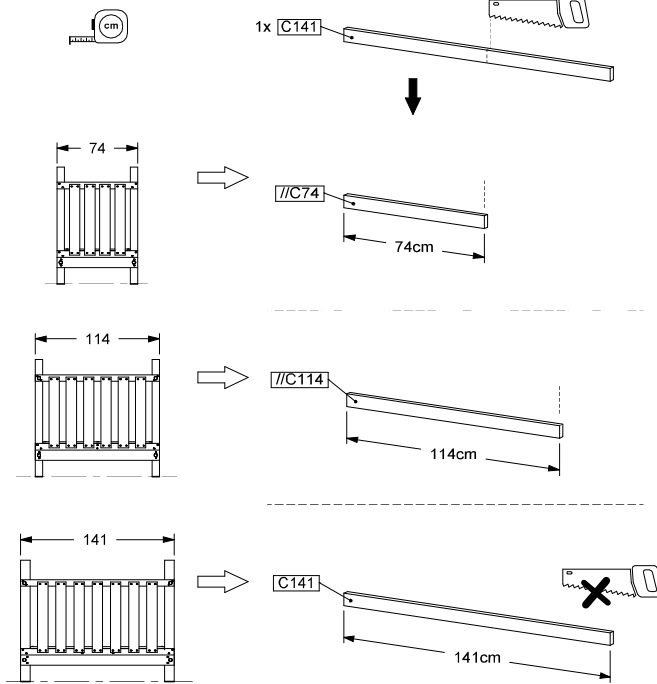
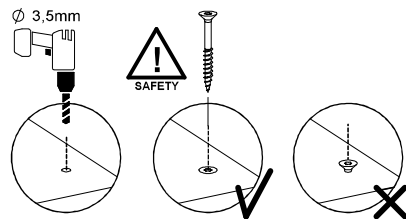
17 UB07a: Swing Mounting Set Uni - PART 1



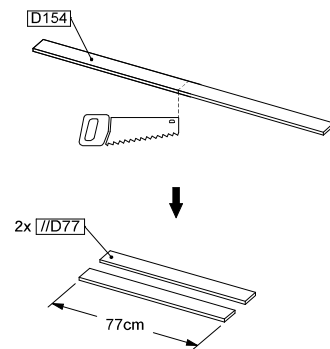
Assembly Packs: 457_103 / 457_107 (Swing / Climb Kit)

	PartNo	PartName	QTY.
Hardware	002_223	Gap Point Screw T25 - 5x80	2
Timber	C141	Beam 1410 mm	1
	D154	Board 1540 mm	1

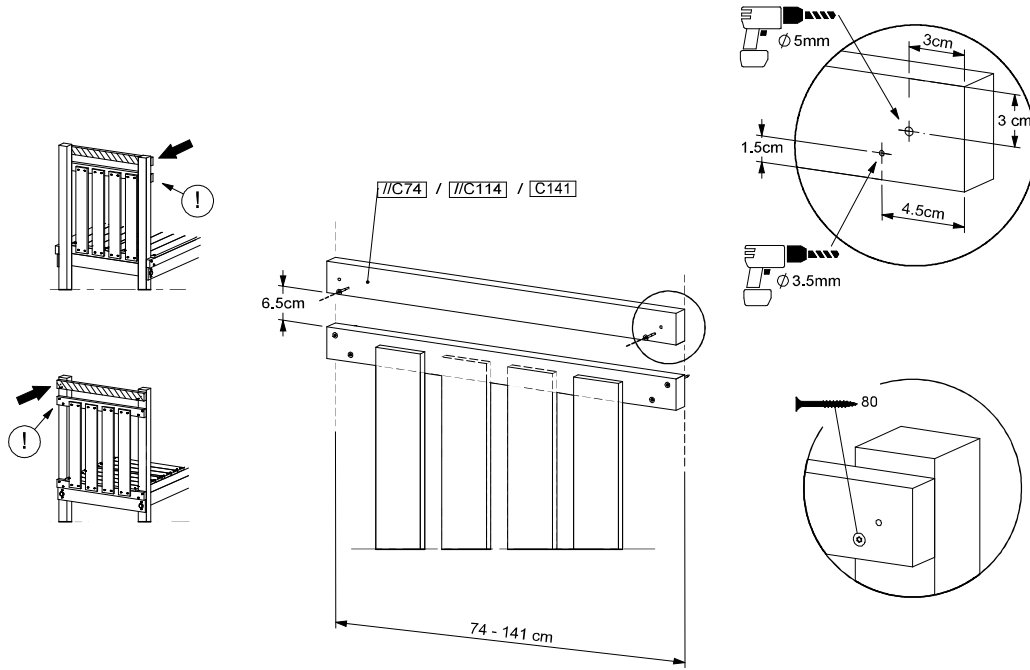
Swing Mounting Set - P01 - 23/09/2024 - v1.0



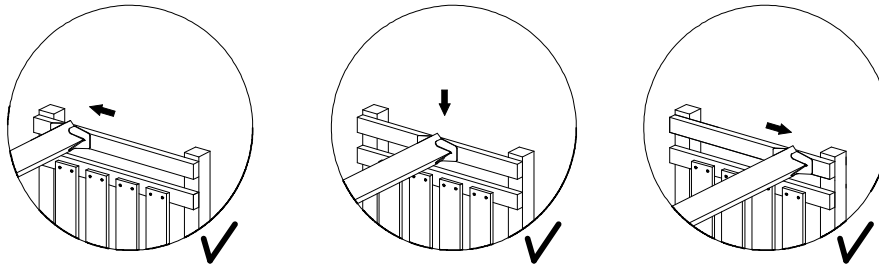
Swing Mounting Set - P01 - 23/09/2024 - v1.0



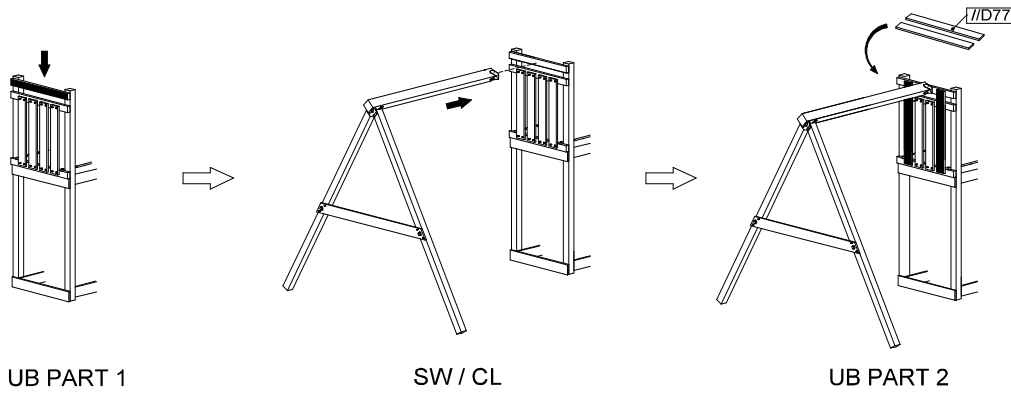
17.1



Swing Mounting Set - P05 - 23/09/2024 - v1.0



Swing Mounting Set - P05 - 23/09/2024 - v1.0



UB PART 1

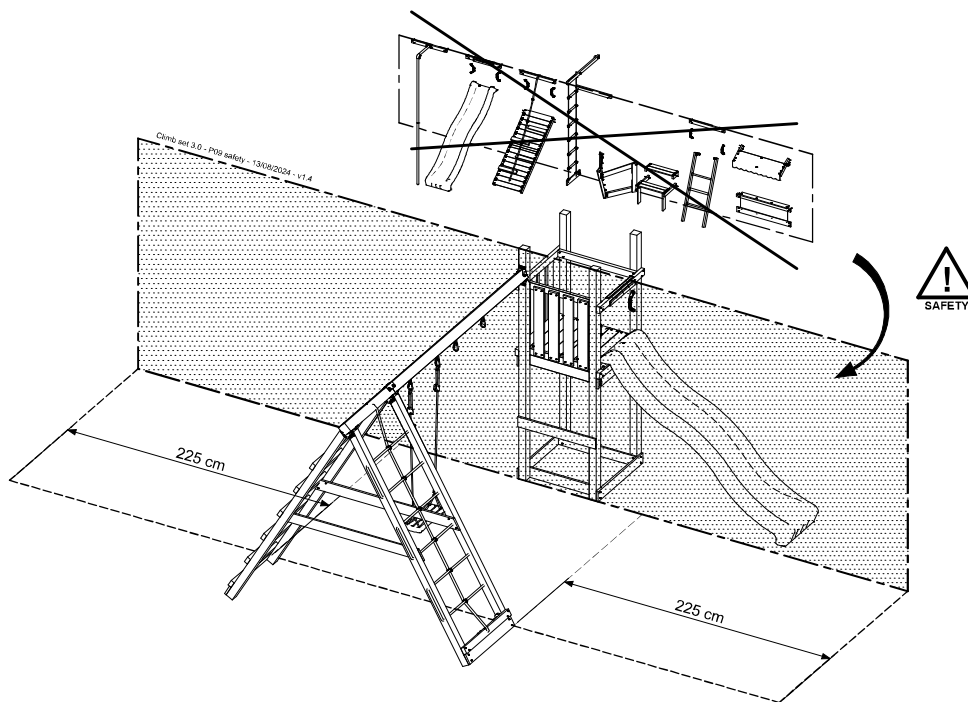
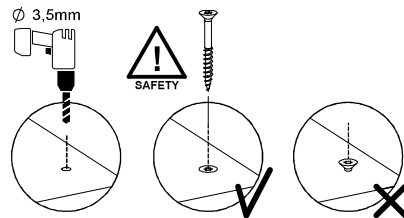
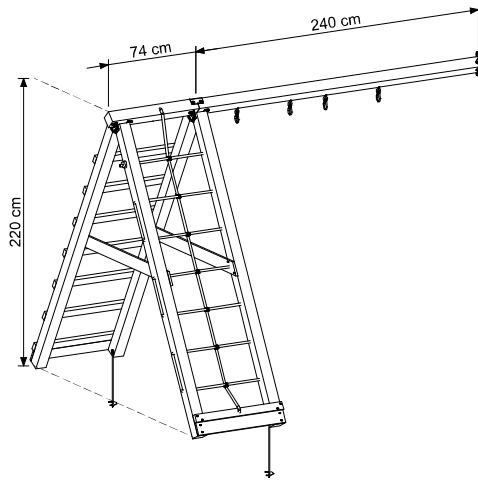
SW / CL

UB PART 2

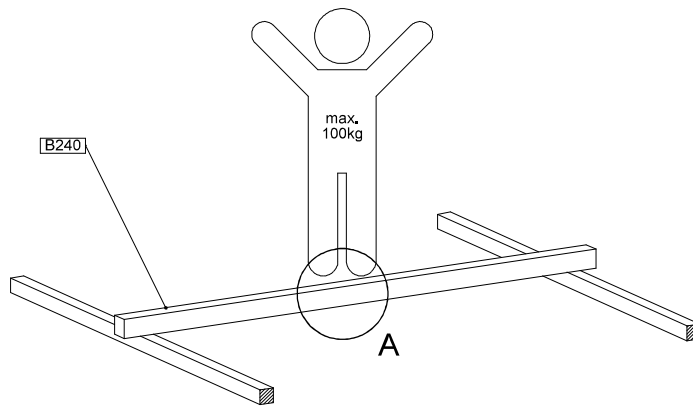
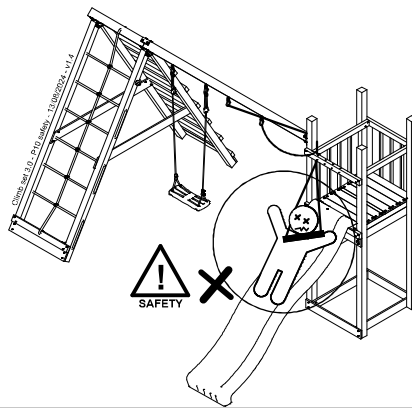
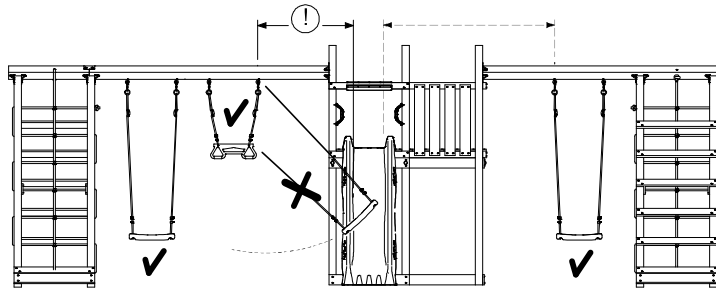
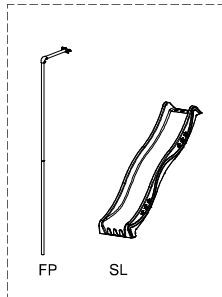
18 CL22b: 2- Climb Module 220 Extra - 3.0

Assembly Kit: 457_107

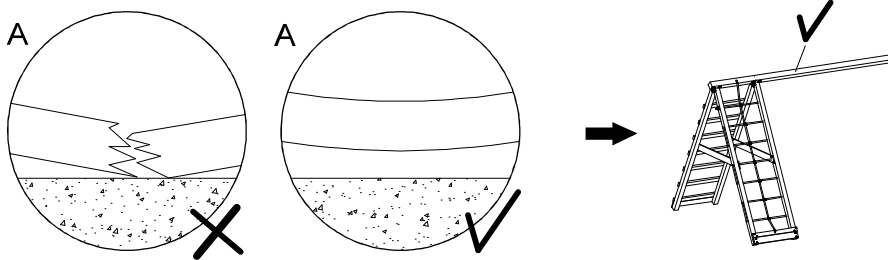
	PartNo	PartName	QTY.
Hardware + Parts	001_404	Stealth Screw 8x30	4
	001_406	Stealth Screw 8x45	34
	001_417	Stealth Screw 8x80	2
	002_220	Gap Point Screw T25 - 5x45	36
	002_223	Gap Point Screw T25 - 5x80	35
	002_301	Dry Wall Screw PH2 3.9 x 40 mm	7
	023_042	Nylon washer 9x19x1.5	36
	005_096	A-Frame V-Connector	4
	005_097	Swing V-Connector	2
	005_099	Climber Top Connector	1
	007_001	Ground-anchor	2
	020_317	Rope Polyester 16mm Green 3,4m	1
	020_318	Rope Polyester 16mm Green 8,1m	1
	022_455	Rope Cross Connector Egg	7
101_003	Swing hook with Carabiner	4	
Timber	B74	Post ca.90x90 L740	1
	B240	Post ca.90x90 L2400	5
	C74	Beam 740 mm	8
	D74	Board 740 mm	2
	D141	Board 1410 mm	3



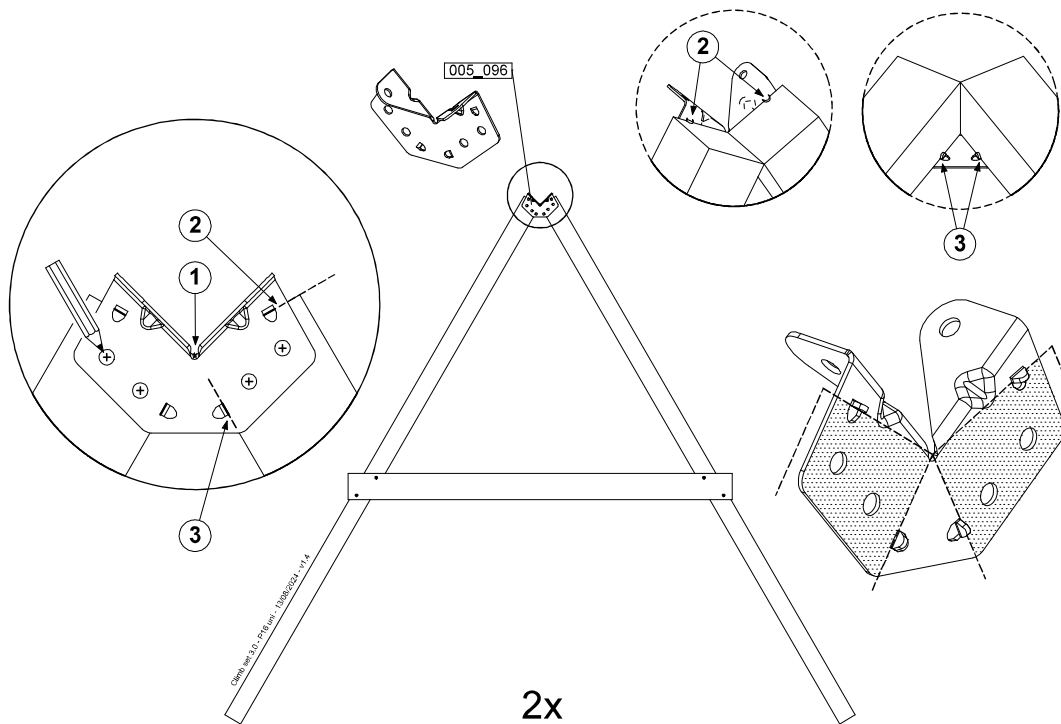
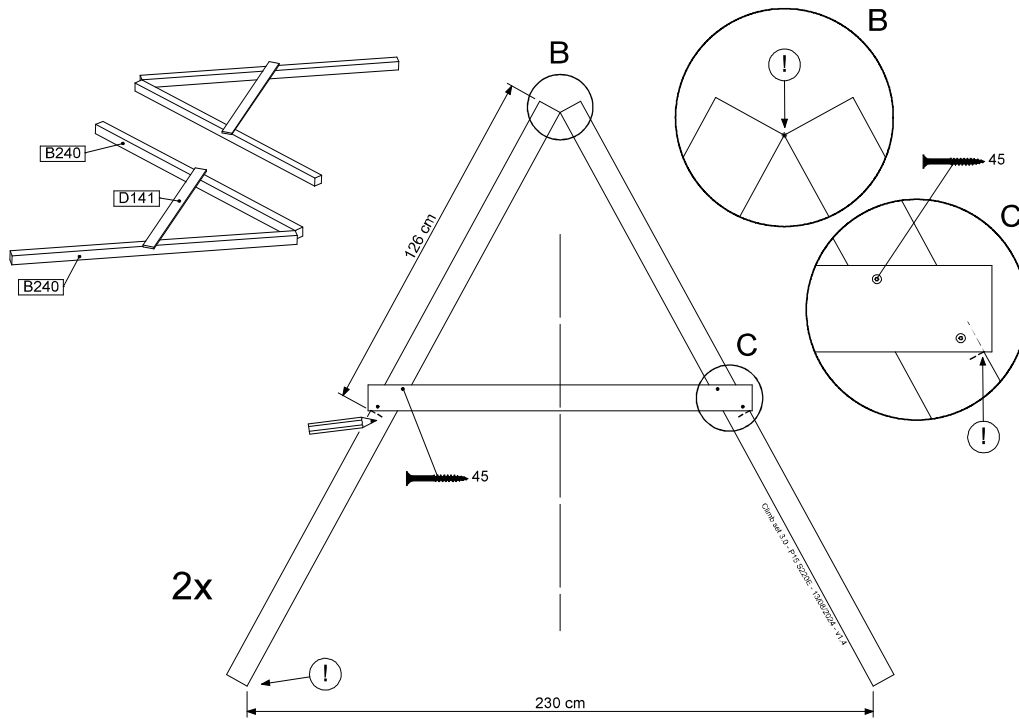
18.1



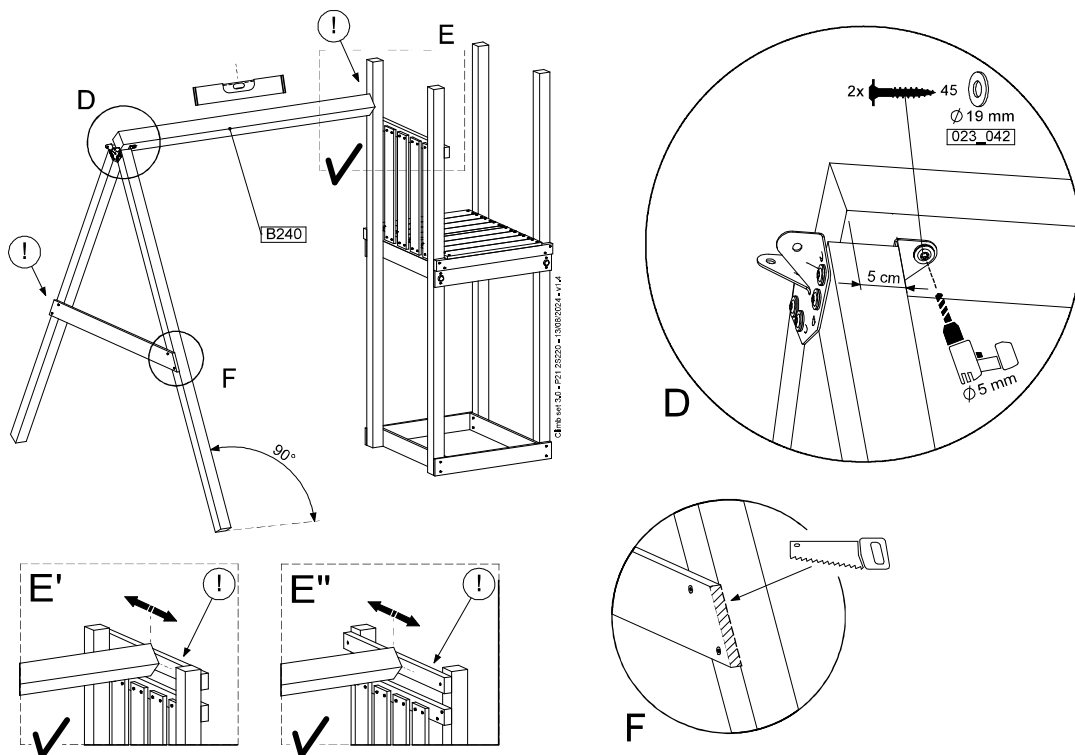
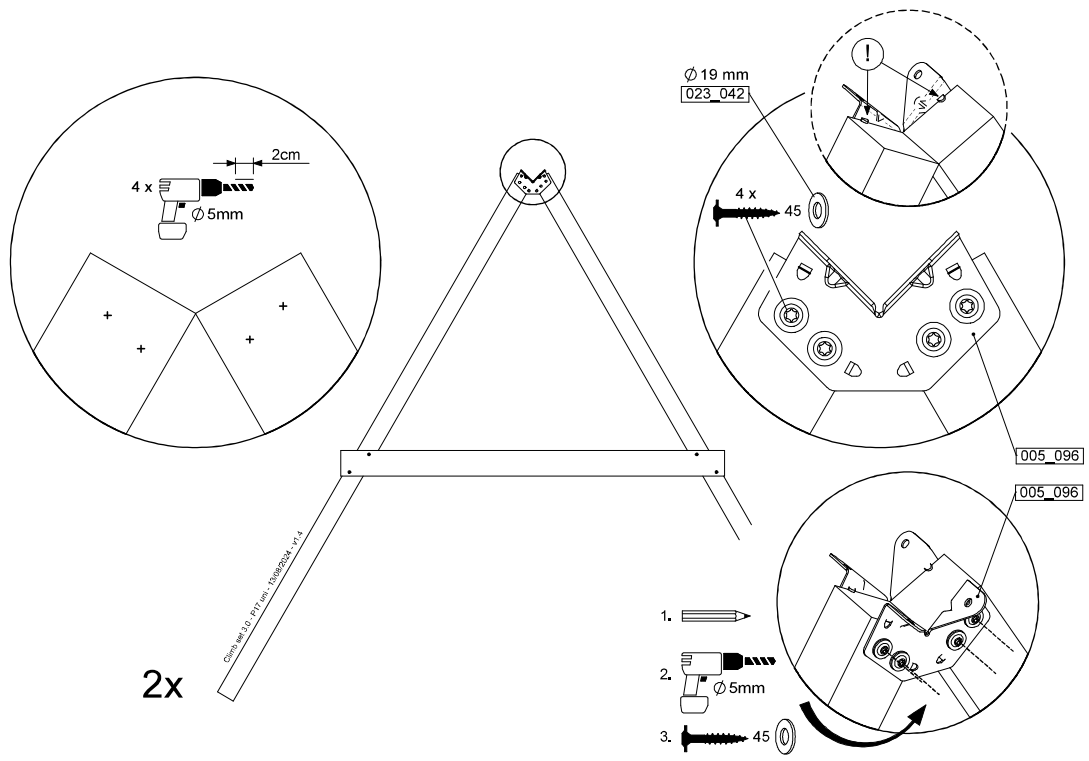
dline sat.3.0-F12.26220-11308.2024-v1.4



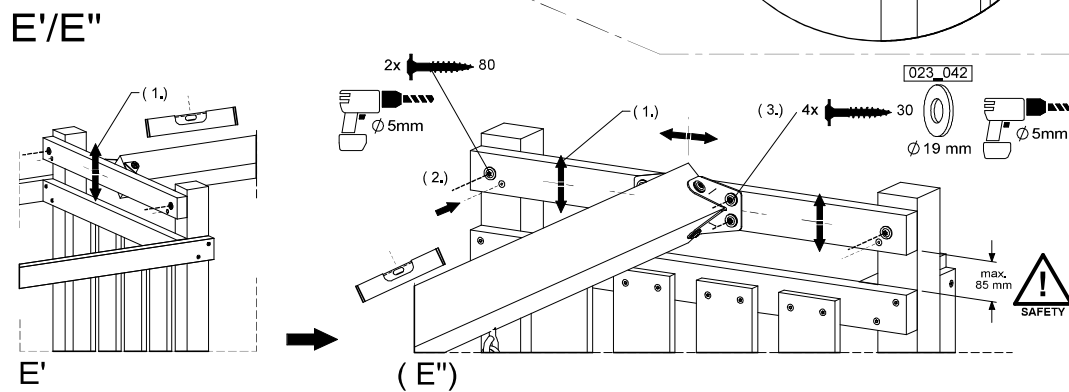
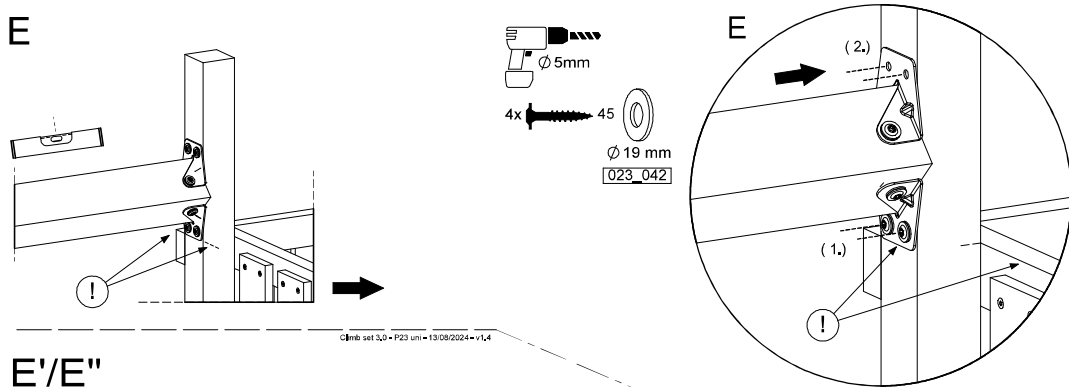
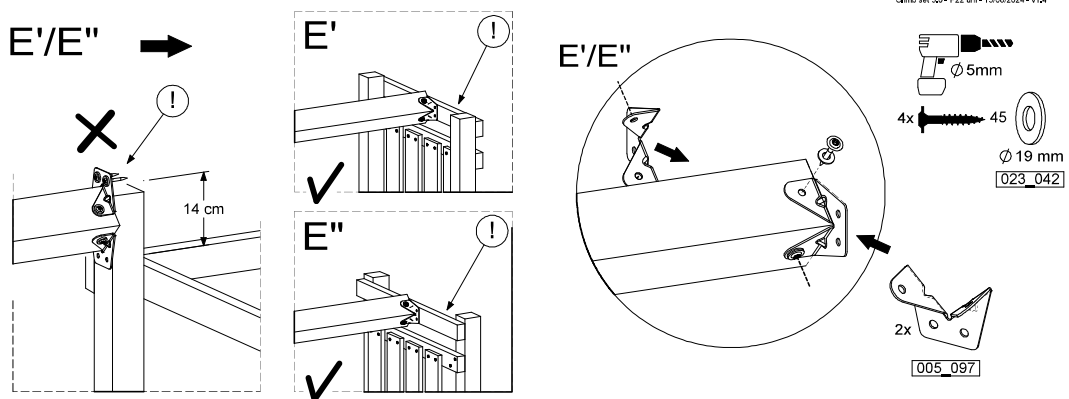
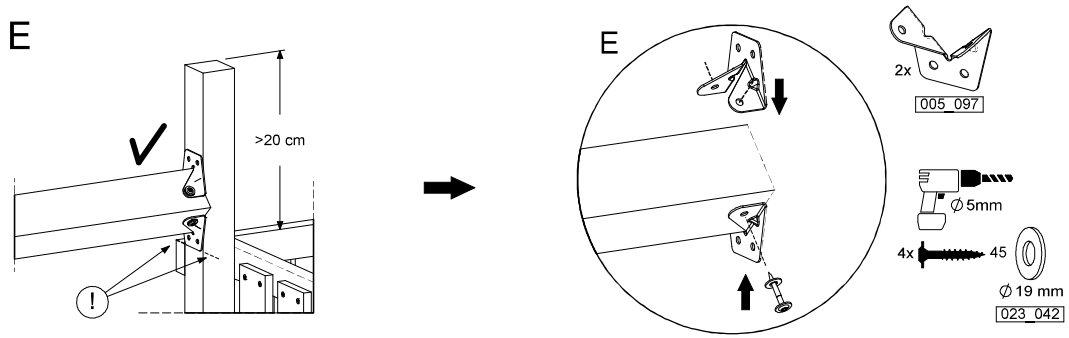
18.2



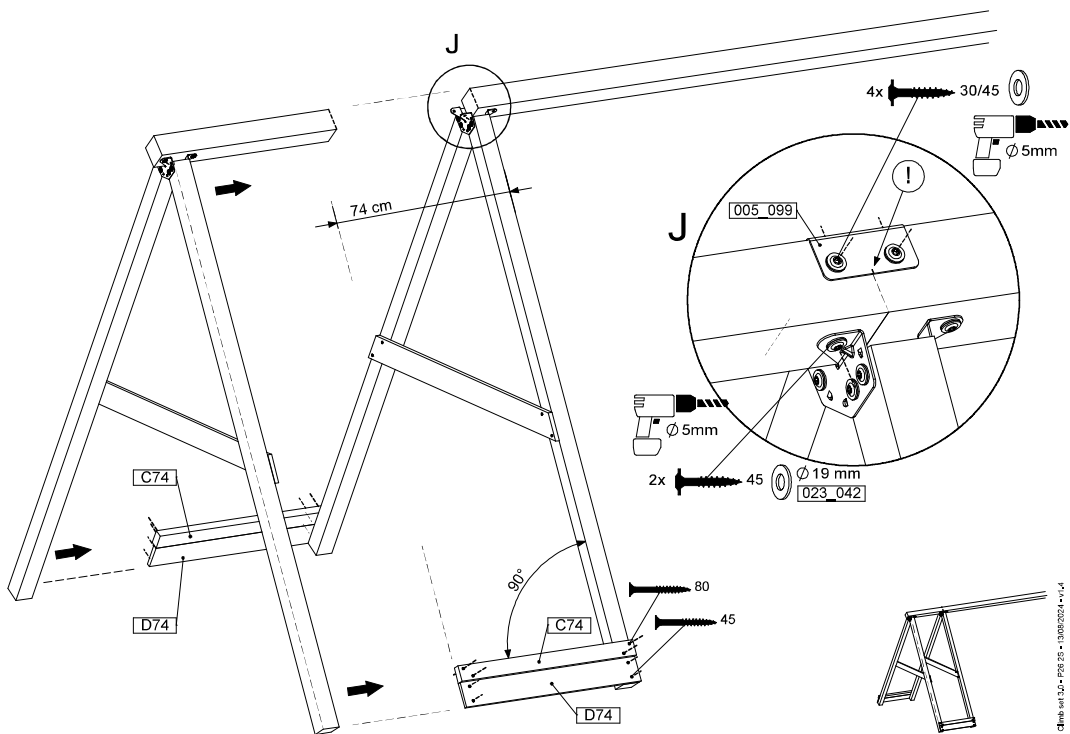
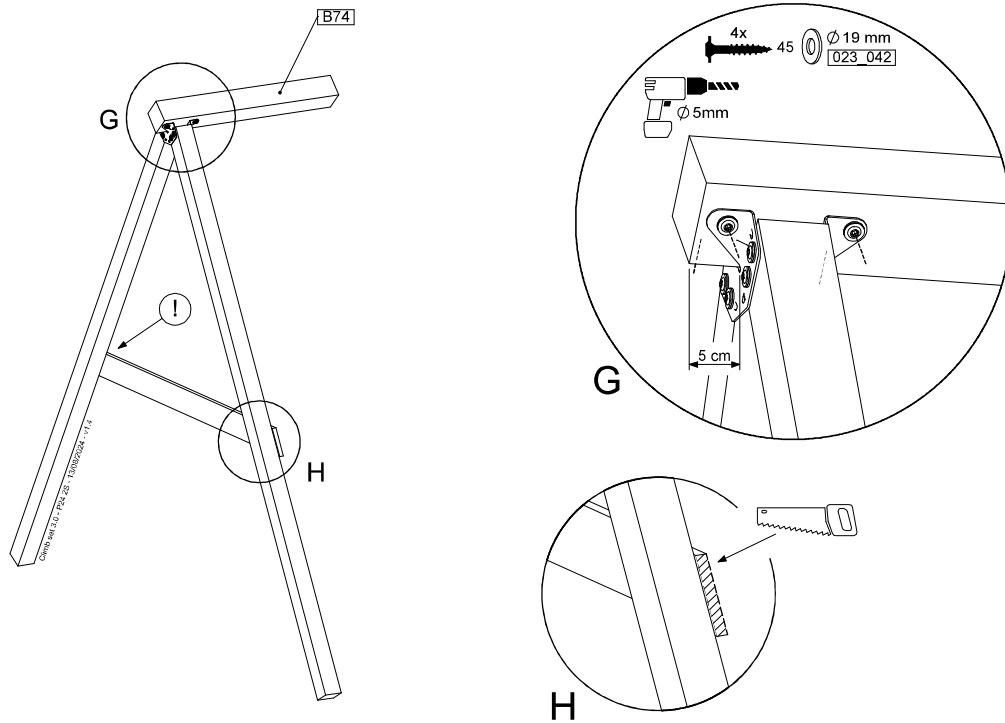
18.3



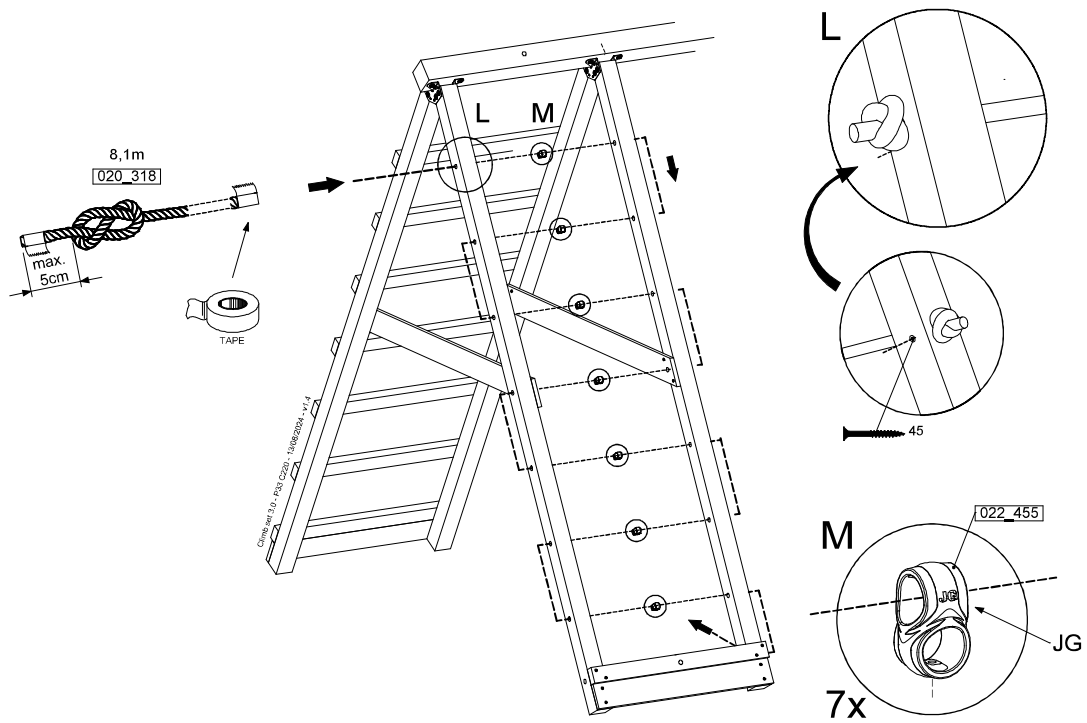
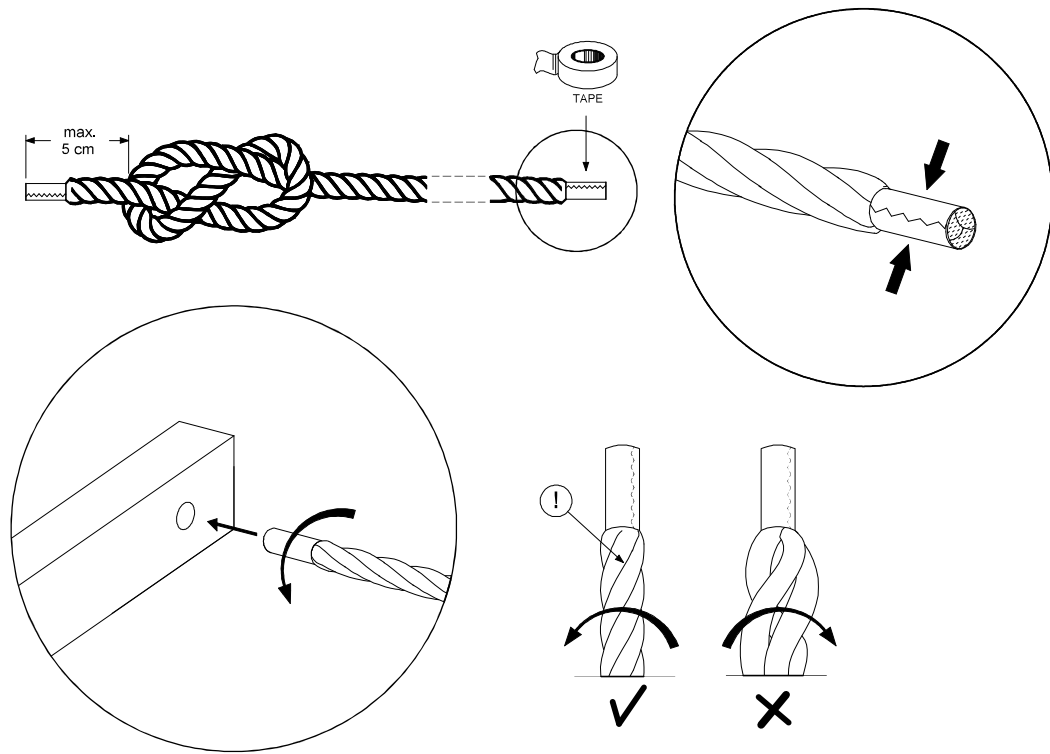
18.4



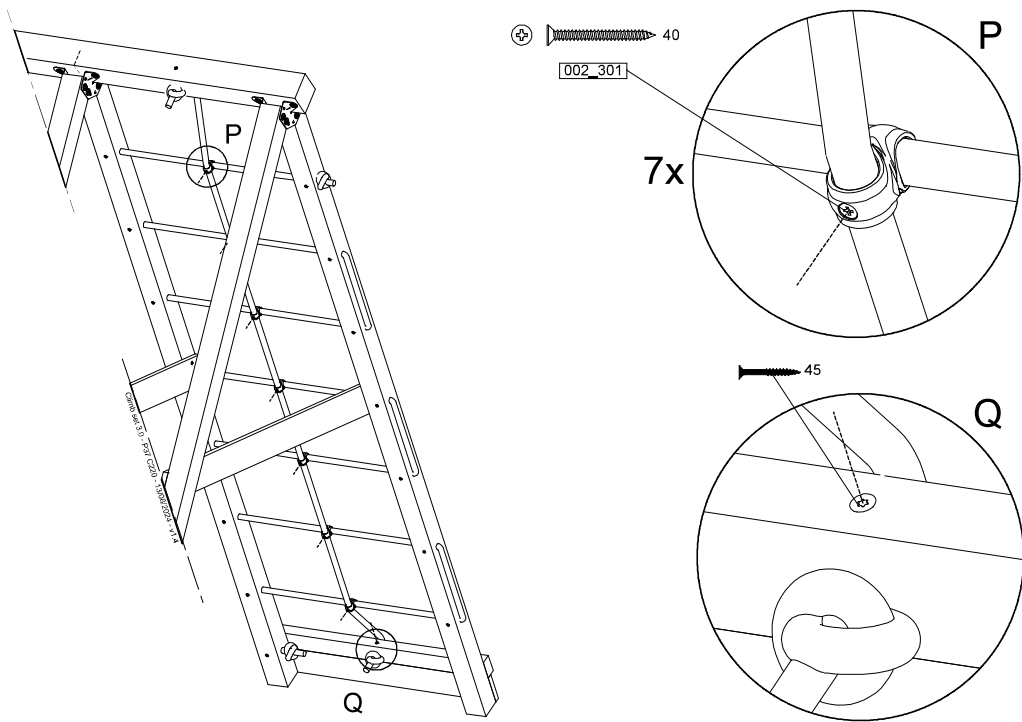
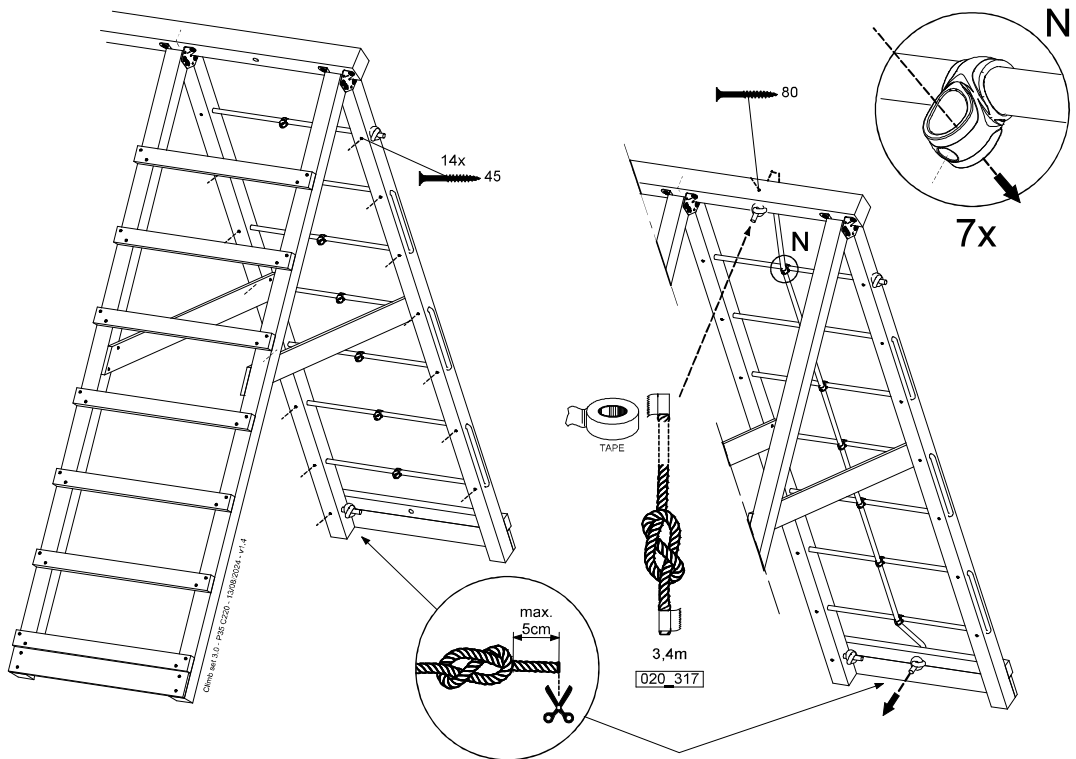
18.5



18.7

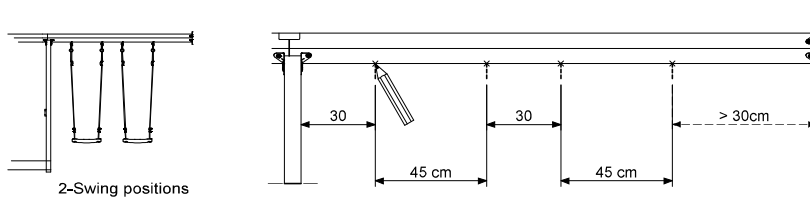


18.8

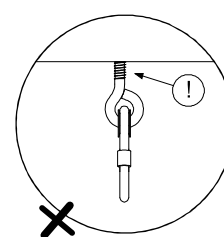
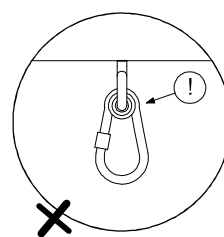
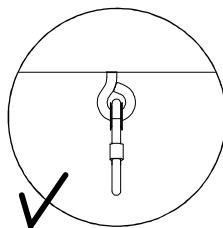
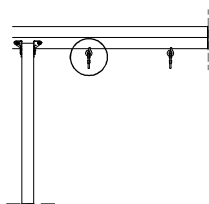
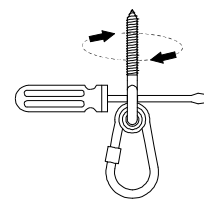
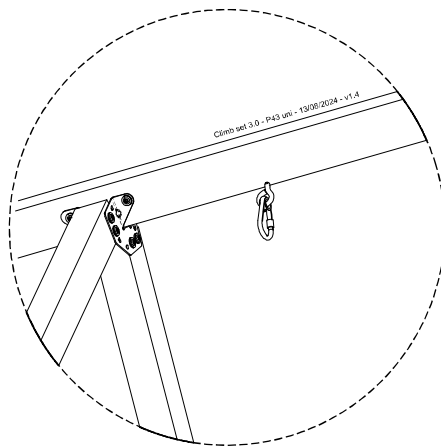
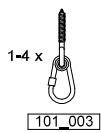
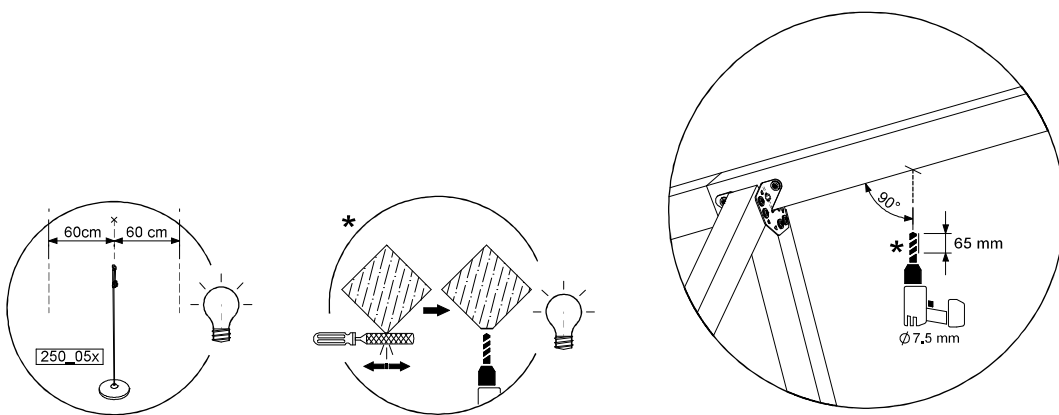


Design code: CroXs1, © 2024 Jungle Gym B.V. Copyrighted material. All rights reserved. Single-owner licensed. No part of this document may be reproduced or utilized otherwise in any form or by any means, electronic or mechanical, including photocopying, or posting on the internet or an intranet, copying and networking prohibited.

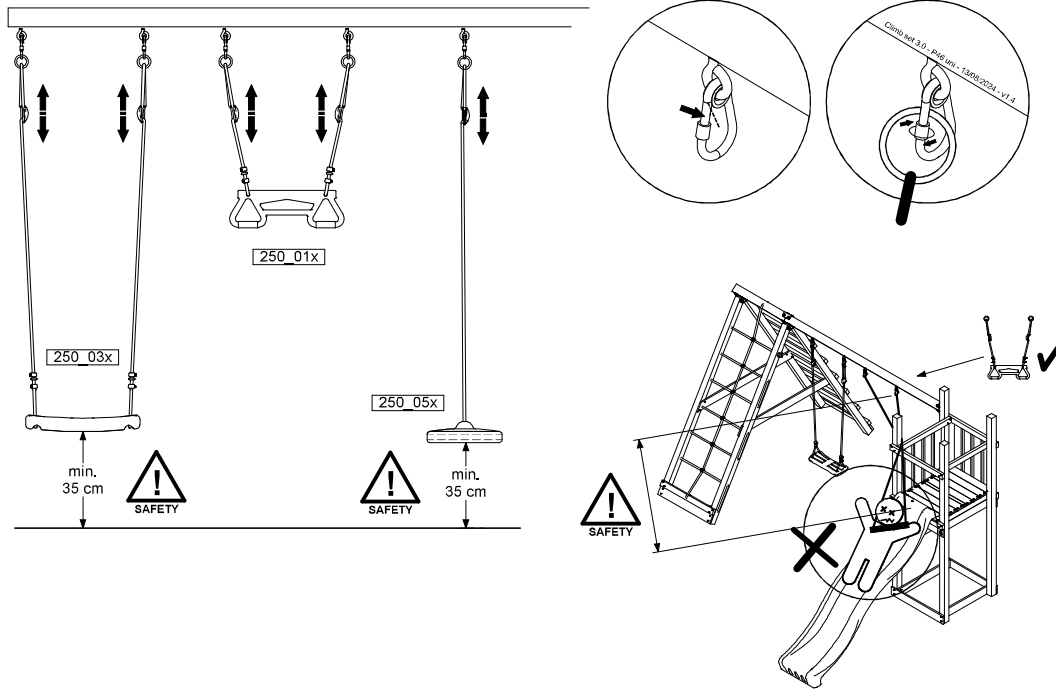
18.9



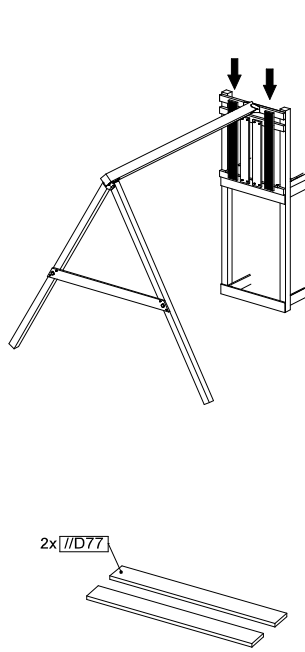
Climb set 3.0 - P42 2020 - v1.4



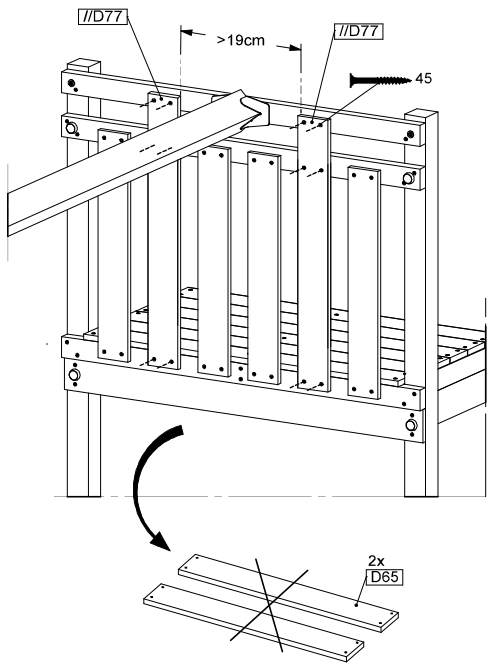
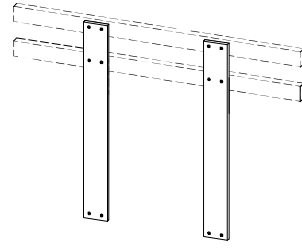
18.11



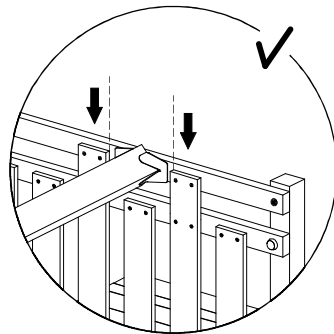
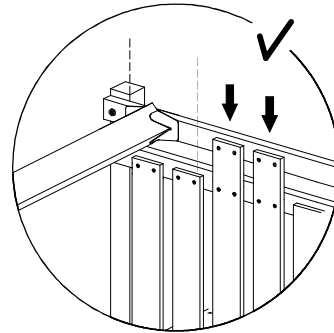
19 UB07a: Swing Mounting Set Uni - PART 2



Swing Mounting Set - POB - 23/09/2024 - v1.0



Swing Mounting Set - POB - 23/09/2024 - v1.0

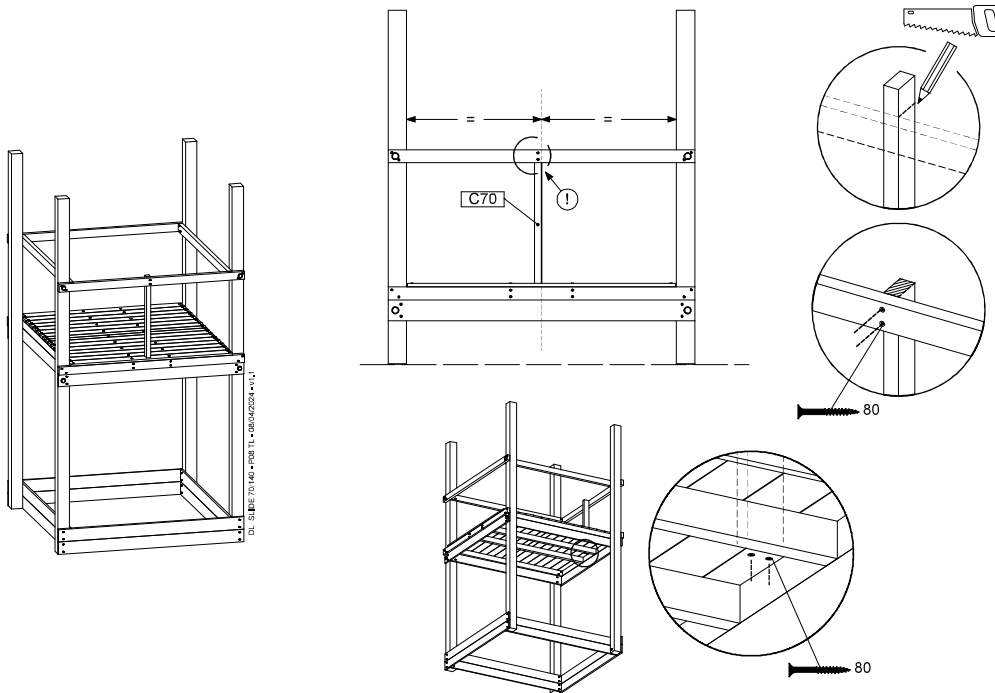
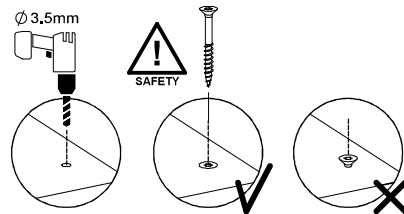
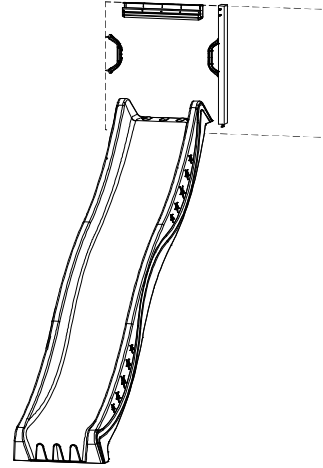


Design code: CroXs1, © 2024 Jungle Gym B.V. Copyrighted material. All rights reserved. Single-owner licensed. No part of this document may be reproduced or utilized otherwise in any form or by any means, electronic or mechanical, including photocopying, or posting on the internet or an intranet, copying and networking prohibited.

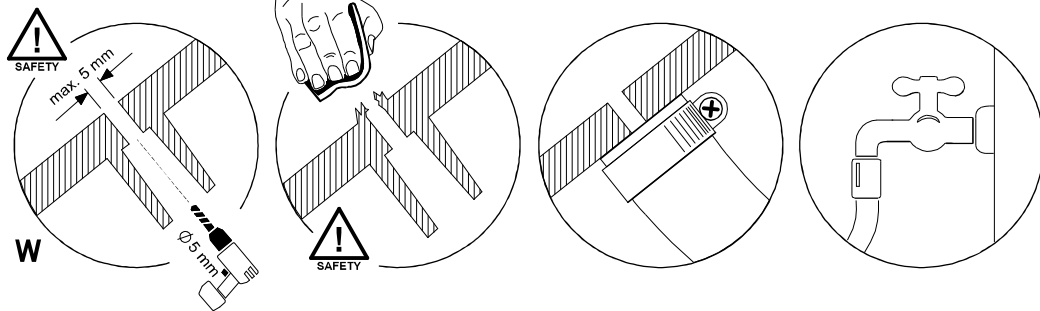
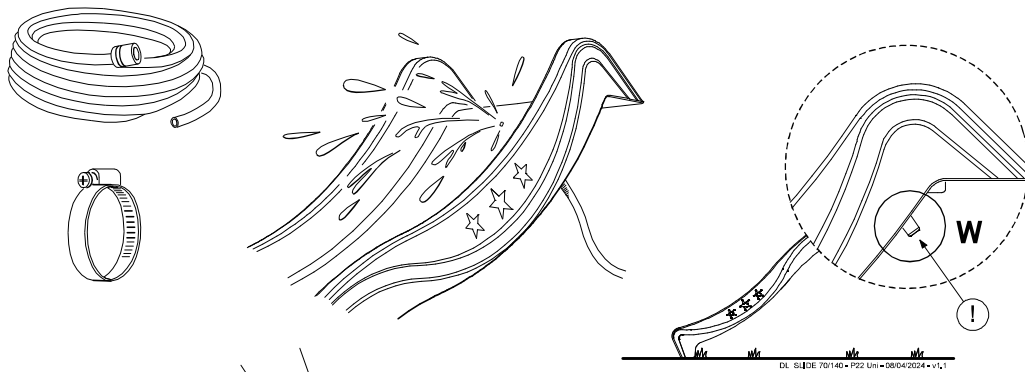
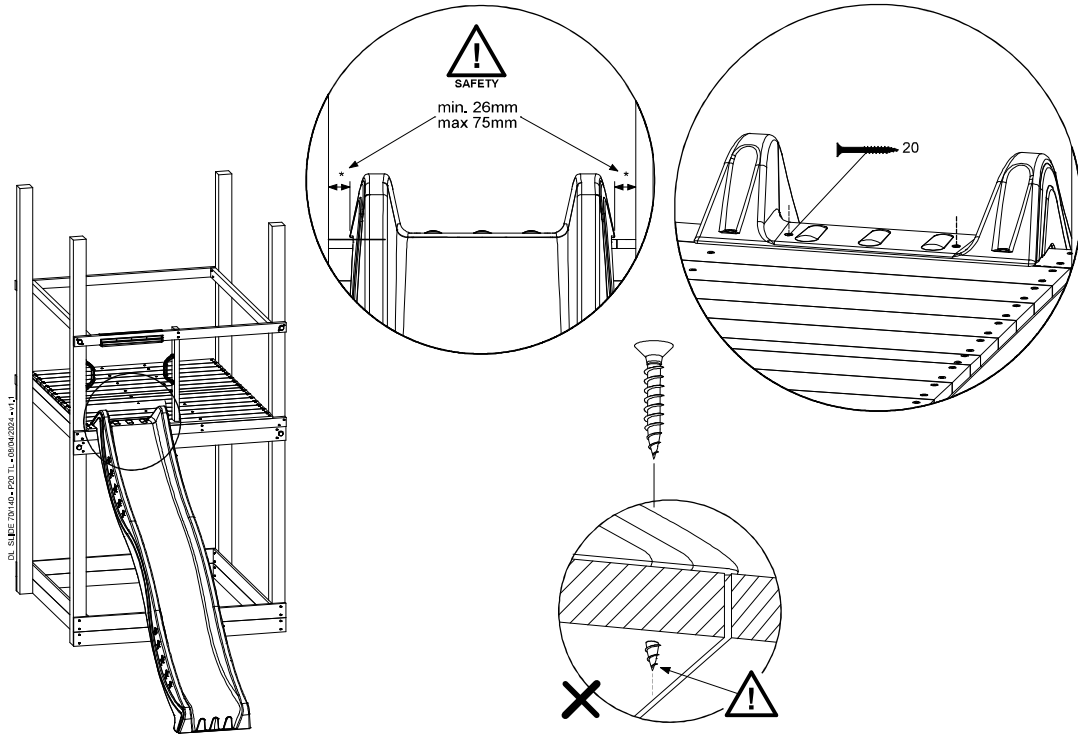
20 SL28a: Slide 140 145 T Left

Assembly Pack: 194_107

	PartNo	PartName	QTY.
Hardware pack	000_101	Nail Pan Head	10
	002_223	Gap Point Screw T25 - 5x80	4
	002_308	Gap Point Screw T25 - 5x20	2
Other	120_102	Handgrip set (complete 2x)	1
	123_200	Bumperpad	1
	334_xxx / 324_xxx	Wavy Star Slide XXL 2650 mm / Wavy Star Slide XL 2200 mm	1
Timber	C70	Beam 700 mm	1



20.2

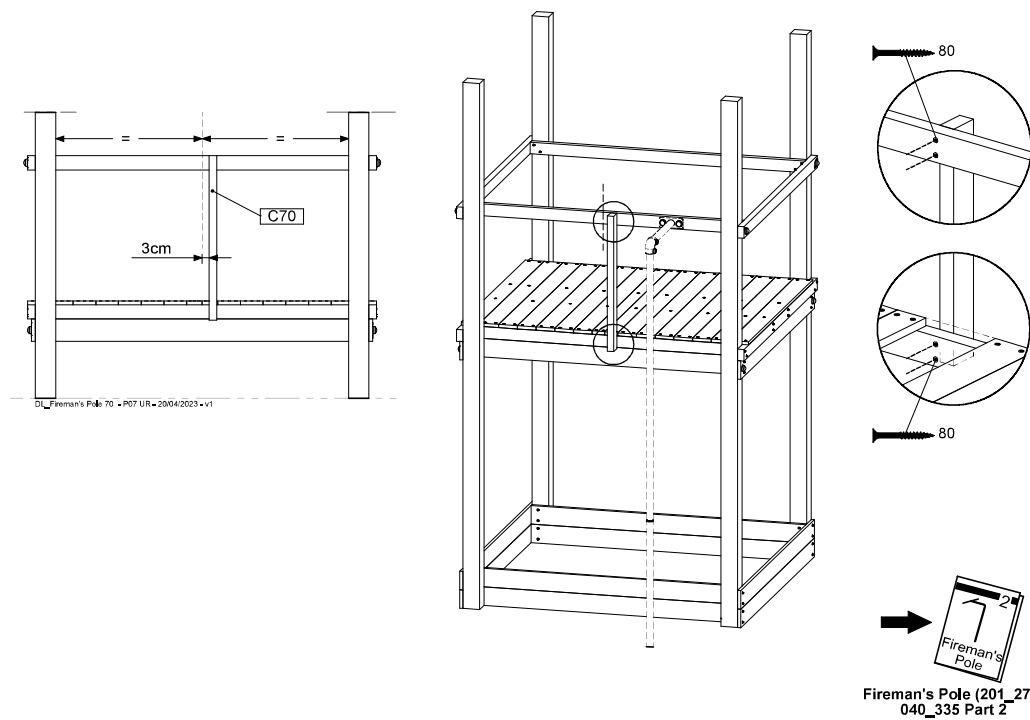
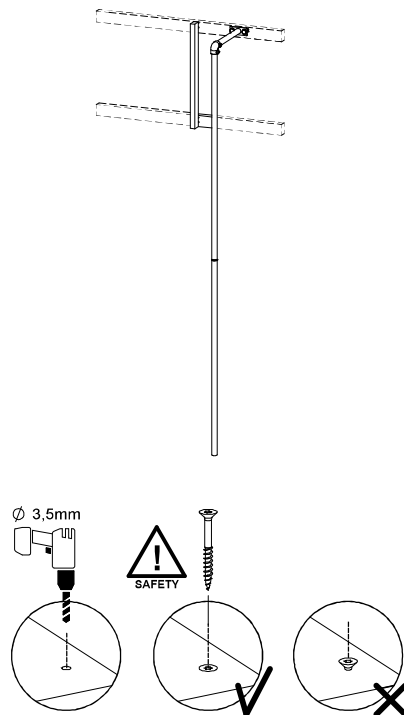


21 FP26a: Fireman's pole 140 Right U

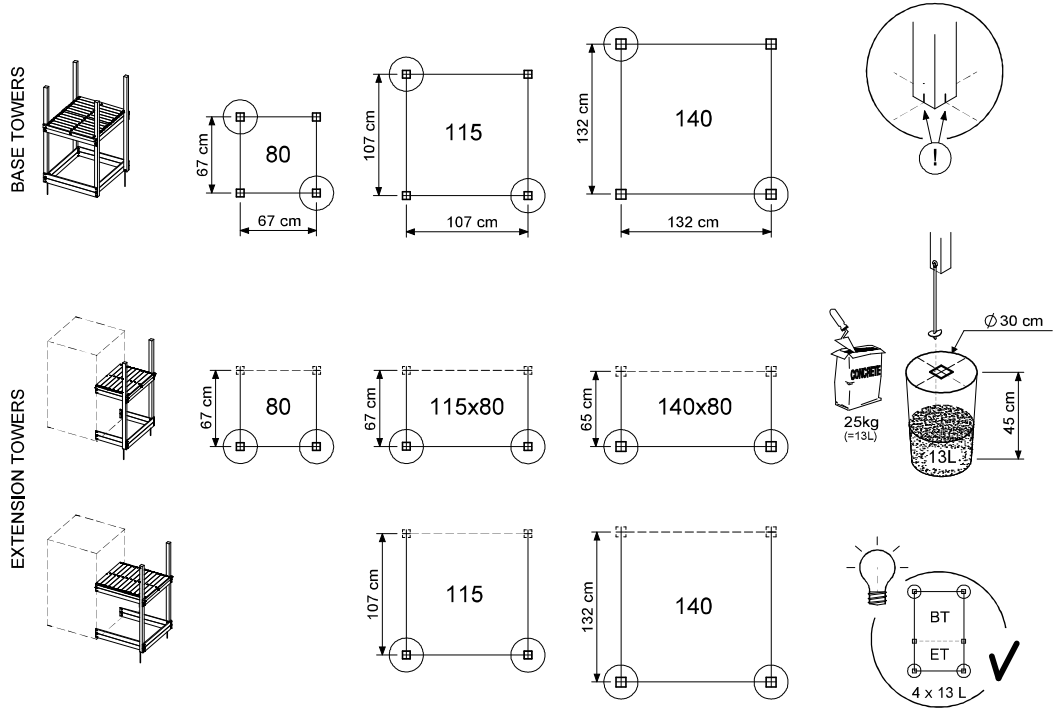
(201_275)

	PartNo	PartName	QTY.
Other	201_275	Fireman's Pole kit (incl. 4x Screw T25 5x80)	1
Timber	C70	Beam 700 mm	1

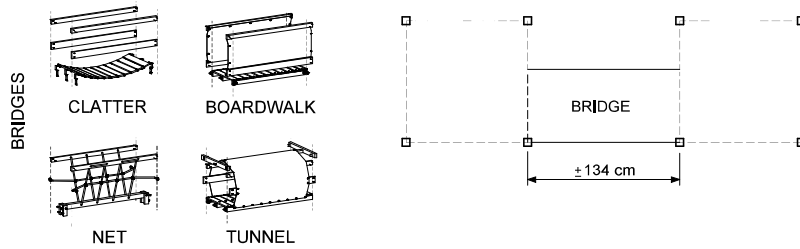
D:\Fireman's Pole 70 - P07.UR - 2004\2023 - v1



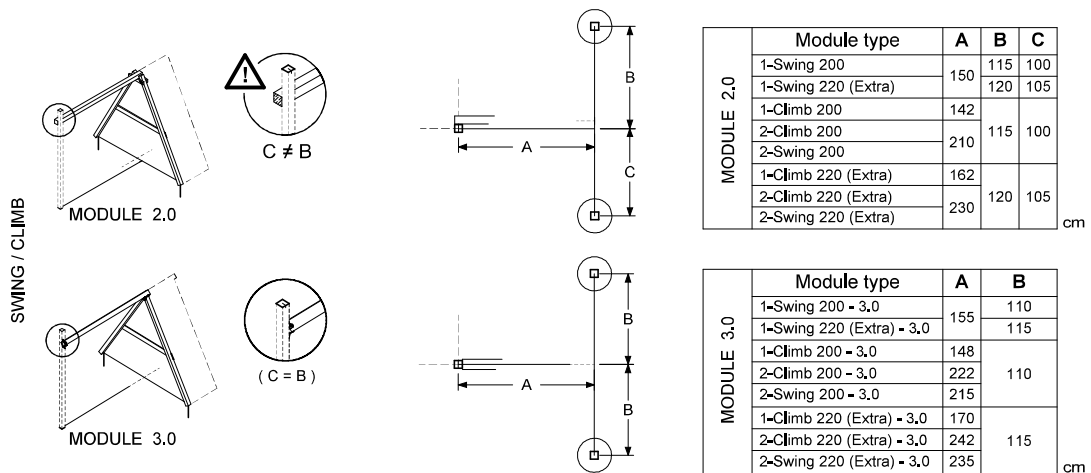
22.1



Ground Anchor: Util. - P01 - 4/05/2024 - v1.5



Ground Anchor: Util. - P02 - 4/05/2024 - v1.5

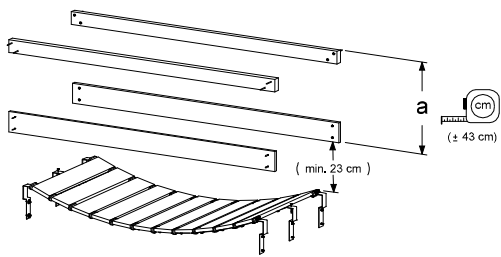
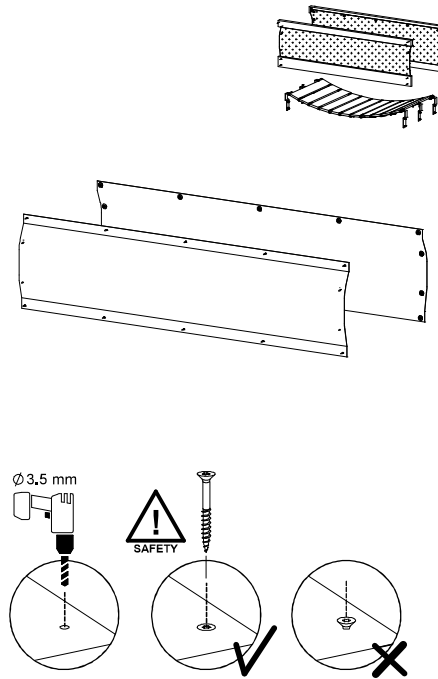


23 AC30a: Bridge Mesh

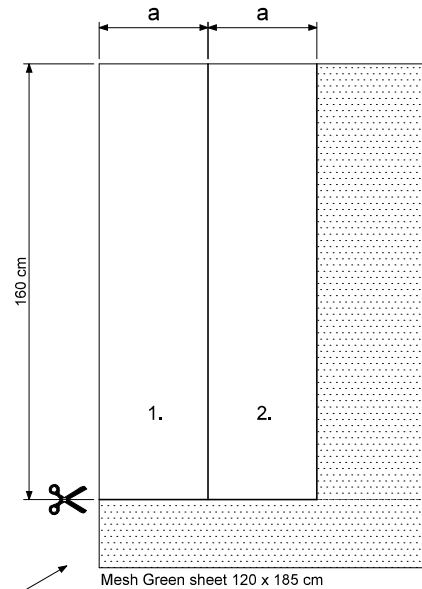
(123_230)

	PartNo	PartName	QTY.
Hardware Packs = 100_411	002_308	Gap Point Screw T25 - 5x20	28
	023_031	Finishing Washer GPS 5,0	28
Other	021_512	Mesh green 1.20 x 1,85m	1

AC Bridge Mesh = P02_0502023 v1

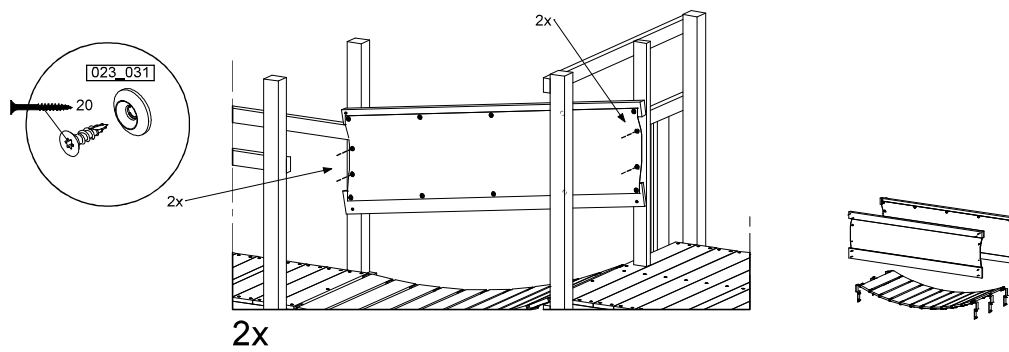
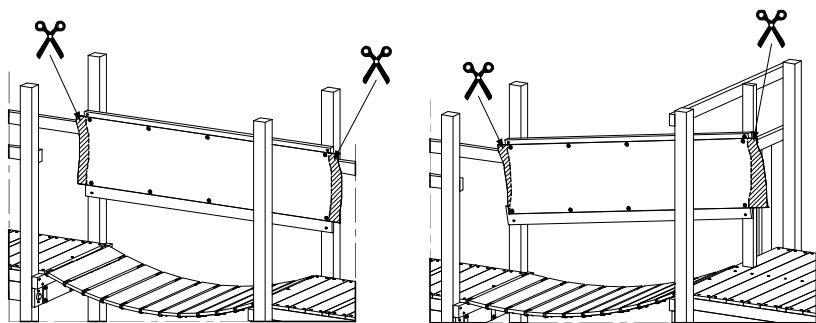
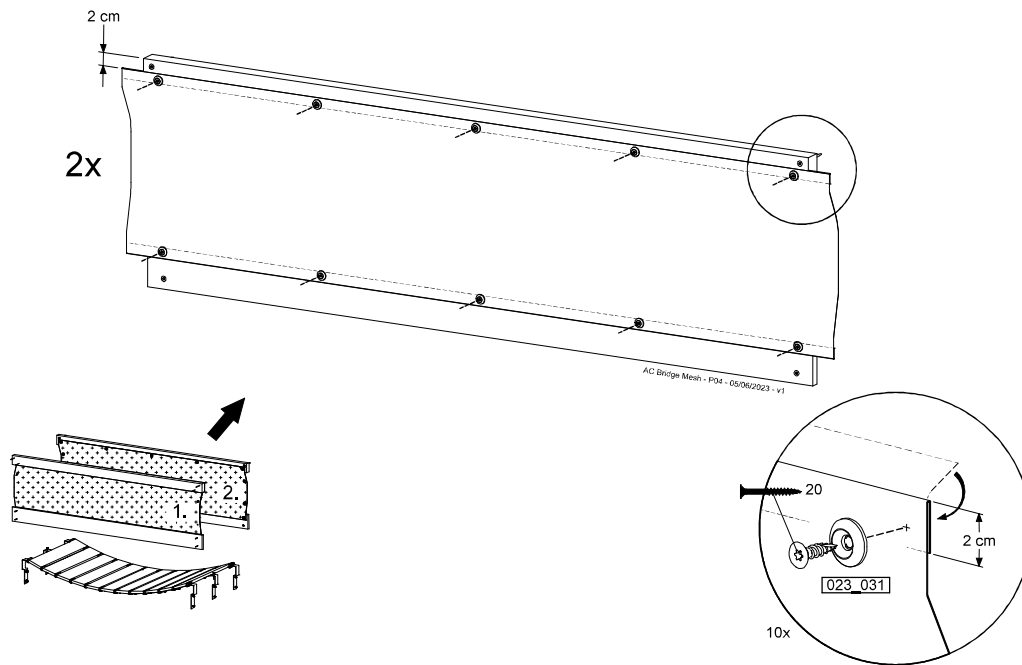


021_512



AC Bridge Mesh = P02_0502023 v1

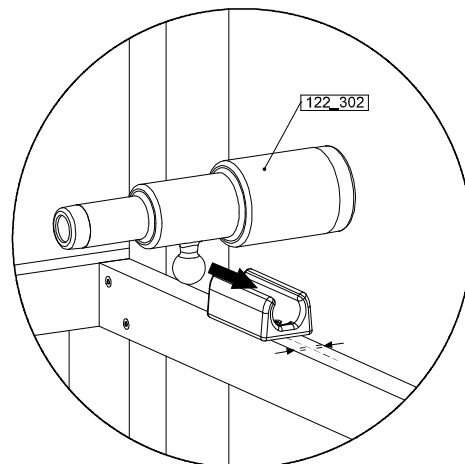
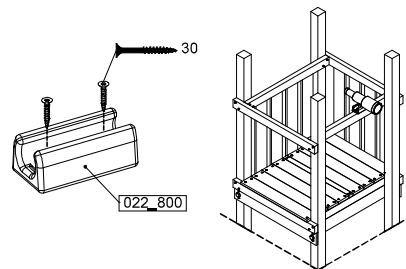
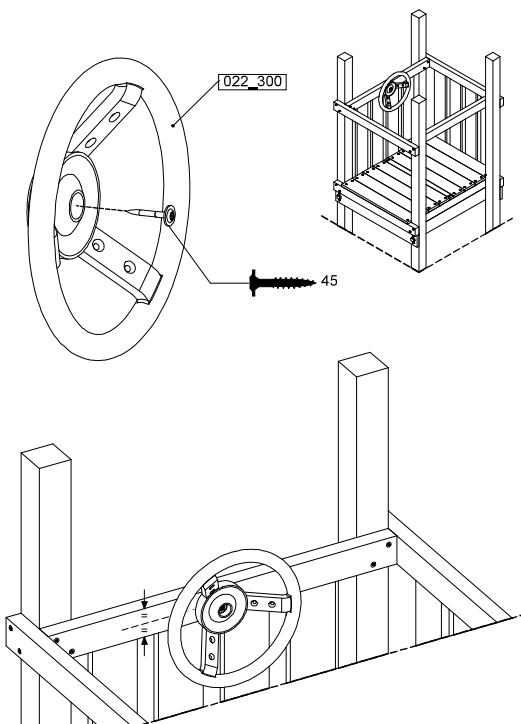
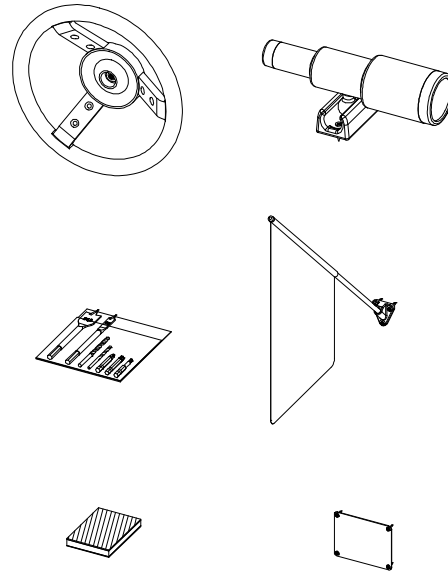
23.1



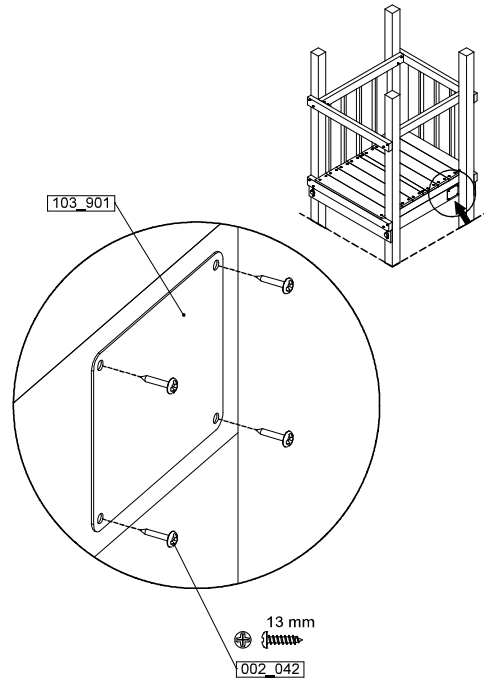
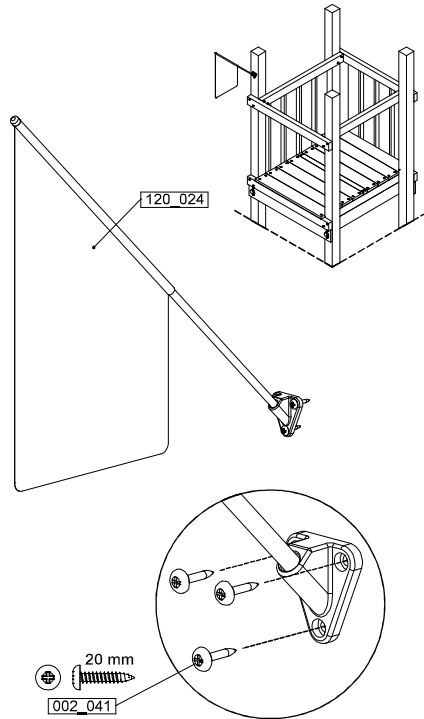
24 AC01a: Accessories

(194_119)

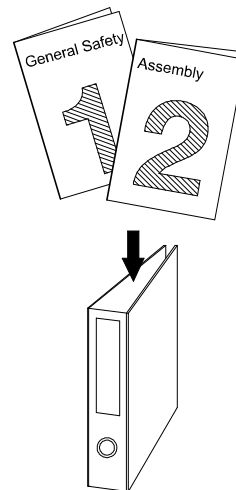
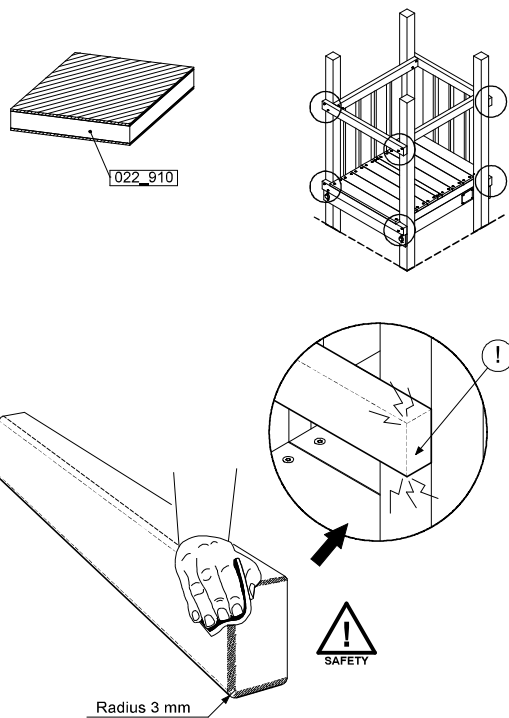
	PartNo	PartName	QTY.
Hardware Pack 100_617	001_406	Stealth Screw 8x45	1
	002_041	Dome head screw 4,5 x 20 mm	3
	002_042	Dome head screw 3,5 x 13mm	4
	002_219	Gap Point Screw T25 - 5x30	2
Other	022_300	Steering Wheel	1
	022_800	Rail P/T 105	1
	022_910	Sandpad	1
	103_901	Logo ID Plate	1
	104_107	Tool Set Climbing Units	1
	120_024	Tower Flag	1
	122_302	Telescope	1



24.1



Accessories: 348 - PDS - PDS - 2410 / 2024 - B



Accessories: 348 - PDS - PDS - 2410 / 2024 - B