

Assembly instructions

Activity toy to be assembled by adults for outdoor domestic use.

Montageanleitung

Spielgerät, das von Erwachsenen zusammengebaut werden muss, für den häuslichen Außenbereich.

Instructions de montage

Jouet d'activité à assembler par des adultes pour une utilisation extérieure familial.

2

PART

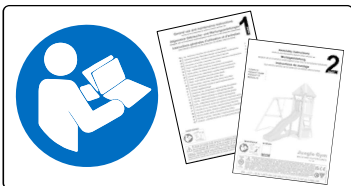
Design code: **i0h01m**

Product name: **Haven 2-Swing 3.0**

Product number: **211420**







OWNER MANUAL



Jungle Gym

BACKYARD PLAYGROUNDS

since 1988

| | | |
|---|---|--|
| <p>Assembly time</p>  <p>8.0 hours by 2 adults v2711</p> | <p> EN. Warnings. Only for domestic use. Maximum number of users is 9. DE. Achtung. Nur für den Hausgebrauch. Maximale Benutzerzahl: 9. FR. Attention. Réservé à un usage familial. Le nombre maximal d'utilisateurs est de 9. BG. Внимание. За употреба само в домашни условия. Максималният брой потребители е 9. CS. Varování. Jen pro domácí použití. Maximální počet uživatelů je 9. DA. Advarsler. Kun til privat brug. Maksimum antal brugere er 9. EL. Προειδοποίησης. Μόνο για οικιακή χρήση. Μέγιστος αριθμός χρηστών 9. ES. Advertencias. Sólo para uso doméstico. Número máximo de usuarios: 9. ET. Hoiatused. Ainult koduseks kasutamiseks. Maksimaalne kasutajate arv on 9. FI. Varoitukset. Ainoastaan kotikäyttöön. Käyttäjää yhteensä enintään 9. HR. Upozorenja. Samo za kućansku uporabu. Maksimalan broj korisnika je 9. HU. Figyelmeztetések. Csak otthoni használatra! A használók max. száma: 9. IS. Varnaðarorð. Eingöngu fyrir einkanotkun í heimahúsum og á einkalóum. Hámarksfjöldi notenda er 9. IT. Avvertenze. Solo per uso domestico. Massimo numero di utenti è 9. LT. Įspėjimai. Tik buitiniam naudojimui. Maksimalus naudotojų skaičius 9. LV. Brīdinājumi. Izmantot tikai mājās. Maksimālais lietotāju skaits ir 9. NL. Waarschuwingen. Uitsluitend voor huishoudelijk gebruik. Het maximale aantal gebruikers is 9. NO. Advarsler. Kun for privat bruk. Maksimalt antall brukere er 9. PL. Ostrzeżenia. Wyłącznie do użytku domowego. Maksymalna liczba użytkowników to 9. PT. Avisos. Apenas para uso doméstico. O número máximo de utilizadores é 9. RO. Avertismente. Numai pentru uz domestic. Numărul maxim de utilizatori este 9. SK. Upozornenia. Iba na domáce použitie. Maximálne množstvo osôb je 9. SL. Opozorila. Samo za domačo uporabo. Maksimalno število uporabnikov je 9. SV. Varningar. Endast för hemmabruk. Det maximala antalet användare är 9.</p> | <p>UK CA CE</p>   |
|---|---|--|



Preparatory work Vorbereitende Arbeiten Travaux préparatoires

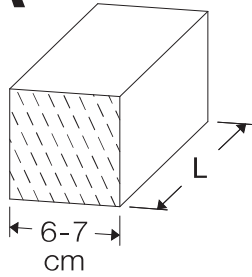


Overview of the total delivery scope
Übersicht über den gesamten Lieferumfang
Aperçu de l'ensemble de la portée de livraison

| # | Description | Supplier ID | Sub-assembly ID |
|---|--------------------------|-------------|-----------------|
| 2 | Base Tower 80_220220_125 | 790_003 | BT03a |
| 2 | Roof Timber Clapboard 80 | 790_201 | RF01a |
| 2 | Balustrade 80_ U | 790_301 | BL01a |
| 1 | Playhouse 80 T Window | 790_313 | PH06a |
| 1 | Rock wall 80_125 T | 790_401 | RW02a |
| 1 | TwoStep Ladder 80_125 U | 790_411 | TS01a |
| 1 | Market 80 U | 790_502 | MT01a |
| 1 | Clatter Bridge 80 uni | 790_601 | CB01a |
| 1 | Slide Frame 80_125 U | 790_901 | SL01a |
| 1 | 2- Swing Module 200 3.0 | 757_110 | SW06a |
| 1 | Accessories Set | 194_119 | AC01a |
| 1 | Accessories Swing Seat | 250_034 | AC21a |
| 1 | Accessories Monkey Bar | 250_013 | AC22a |
| 1 | Wavy Star Slide XL | 324_x00a | 324_x00a |

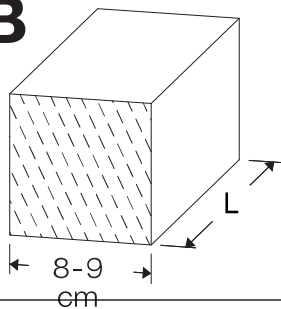
Identifying and inventorying of the individual timber parts
Identifizierung und inventarisieren der der einzelnen Holzteile
Identification et inventorier les pièces en bois individuels

A



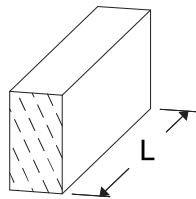
| ID | L | # |
|------|-----------------|----|
| A123 | 122 cm - 123 cm | 1 |
| A220 | 219 cm - 220 cm | 10 |

B



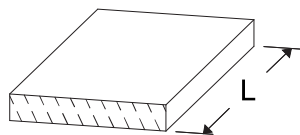
| | | |
|------|-----------------|---|
| B220 | 219 cm - 220 cm | 1 |
|------|-----------------|---|

C



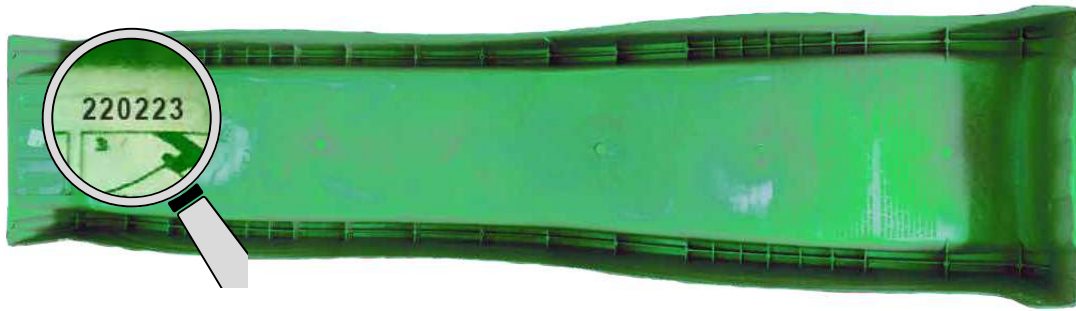
| | | |
|------|-----------------|----|
| C56 | 55 cm - 56 cm | 4 |
| C62 | 61 cm - 62 cm | 4 |
| C74 | 73 cm - 74 cm | 15 |
| C141 | 140 cm - 141 cm | 2 |

D



| | | |
|------|-----------------|----|
| D60 | 59 cm - 60 cm | 35 |
| D65 | 64 cm - 65 cm | 8 |
| D74 | 73 cm - 74 cm | 60 |
| D141 | 140 cm - 141 cm | 4 |

Identification, inventorying, and registering of the individual accessories and parts
Identifizierung, inventarisieren und registrieren von der einzelnen Zubehör und Teilen
Identification, inventorier et enregistrer les accessoires et pièces individuels



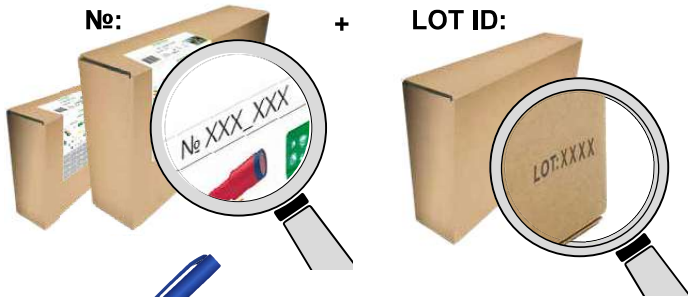
No:

1.

2.

3.

Identification, inventorying, and registering of the individual assembly kits
Identifizierung, inventarisieren und registrieren der der einzelnen Bausätze
Identification, inventorier et enregistrer les kits de construction individuels



Example

No:

LOT ID:

No:

LOT ID:

1.

2.

3.

4.

5.

No:

LOT ID:

6.

7.

8.

9.

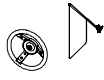
10.

Identification, inventorying, and registering of the individual assembly packs
Identifizierung, inventarisieren und registrieren der einzelnen Baupakete
Identification, inventorier et enregistrer les packs de construction individuels




Example

Accessory Set



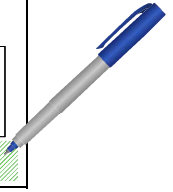
AC



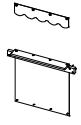
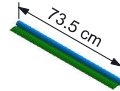



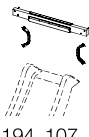


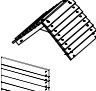
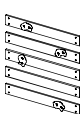

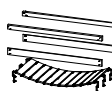
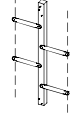


194_119

1x

LOT: 2 7 1 1

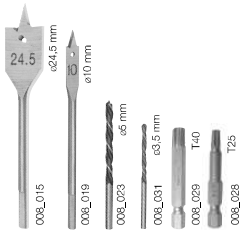


| | | | | |
|--|---|--|--|---|
| <p>Swing Module Kit</p>  <p>SW</p> <p>457_103</p> <p>1x</p> <p>LOT: <input type="text"/></p> | <p>Hardware 01</p>  <p>BL H01</p> <p>194_101</p> <p>2x</p> <p>LOT: <input type="text"/></p> | <p>Market</p>  <p>MT</p> <p>194_113</p> <p>1x</p> <p>LOT: <input type="text"/></p> | <p>Canvas 136 x 74cm</p>  <p>123_220</p> <p>1x</p> <p>LOT: <input type="text"/></p> | <p>Accessory Set</p>  <p>AC</p> <p>194_119</p> <p>1x</p> <p>LOT: <input type="text"/></p> |
| <p>Slide XL 2.2m</p>  <p>324_x00</p> <p>1x</p> <p>LOT: <input type="text"/></p> | <p>Swing Seat</p>  <p>AC</p> <p>250_034</p> <p>1x</p> <p>LOT: <input type="text"/></p> | <p>Slide Frame</p>  <p>SL</p> <p>194_107</p> <p>1x</p> <p>LOT: <input type="text"/></p> | <p>Balustrade 140</p>  <p>BL</p> <p>194_501</p> <p>1x</p> <p>LOT: <input type="text"/></p> | <p>Tower 80</p>  <p>BT ET</p> <p>194_100</p> <p>2x</p> <p>LOT: <input type="text"/></p> |
| <p>Roof Timber 80 / Wall Panel</p>  <p>194_111</p> <p>RF PH</p> <p>2x</p> <p>LOT: <input type="text"/></p> | <p>Rock Wall 80</p>  <p>194_105</p> <p>RW</p> <p>1x</p> <p>LOT: <input type="text"/></p> | <p>Monkey Bar</p>  <p>250_013</p> <p>AC</p> <p>1x</p> <p>LOT: <input type="text"/></p> | <p>Clatter Bridge</p>  <p>194_116</p> <p>CB</p> <p>1x</p> <p>LOT: <input type="text"/></p> | <p>Two Step Ladder 80</p>  <p>194_102</p> <p>TS</p> <p>1x</p> <p>LOT: <input type="text"/></p> |

Overview of the contents of the standard included start package
Übersicht über den Inhalt des standardmäßig enthaltenen Startpakets
Aperçu du contenu du pack de démarrage inclus standard



Overview of the bit and drill bit references
Übersicht über die Bit- und Bohrer-Referenzen
Aperçu des références des embouts et des forêts



Overview of all hardware and part references for identification
Übersicht über alle Hardware- und Teile-Referenzen zur Identifizierung
Aperçu de toutes les références de matériel et de pièces pour identification

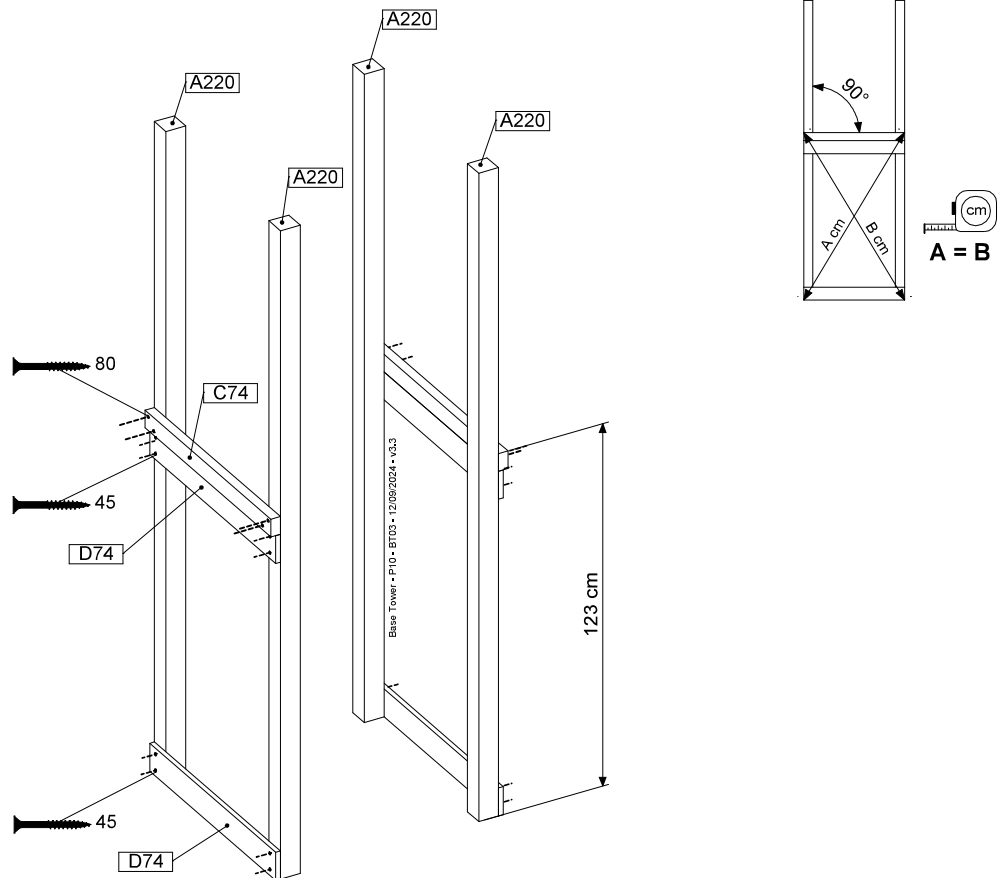
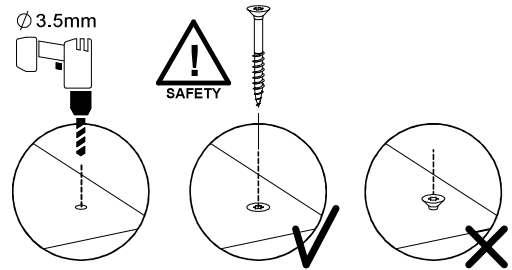
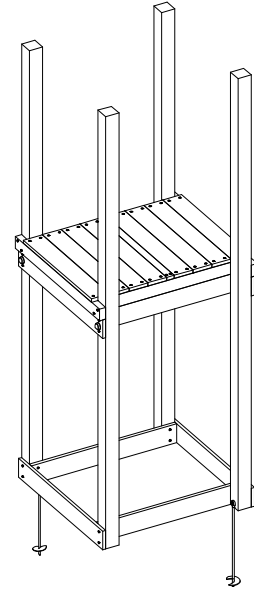
| | | # | L | | | # | L | |
|--------------------------|--|---|---------|--------|--|---|---------|--------|
| <p>ø 5 T-40</p> | | | 001_404 | 30 mm | | | 002_308 | 20 mm |
| | | | 001_406 | 45 mm | | | 002_219 | 30 mm |
| | | | 001_411 | 60 mm | | | 002_220 | 45 mm |
| | | | 001_417 | 80 mm | | | 002_223 | 80 mm |
| | | | 001_422 | 137 mm | | | | |
| <p>ø 10 T-40</p> | | | 001_102 | 30 mm | | | 004_050 | 22mm |
| | | | | | | | | |
| <p>ø 3.5 T-25</p> | | | 000_101 | 20 mm | | | 003_010 | |
| | | | | | | | | |
| <p>ø 3.5 PH-2</p> | | | 002_036 | 16 mm | | | 003_034 | |
| | | | | | | | | |
| <p>ø 3.5 PH-2</p> | | | 002_041 | 20 mm | | | 022_845 | Yellow |
| | | | | | | | | |
| <p>ø 3.5 PH-2</p> | | | 002_042 | 13 mm | | | 022_847 | Green |
| | | | | | | | | |
| <p>ø 3.9 mm PH-2</p> | | | 002_042 | 13 mm | | | 023_031 | White |
| | | | | | | | | |
| <p>ø 3.9 mm PH-2</p> | | | 002_301 | 40 mm | | | 120_005 | White |
| | | | | | | | | |

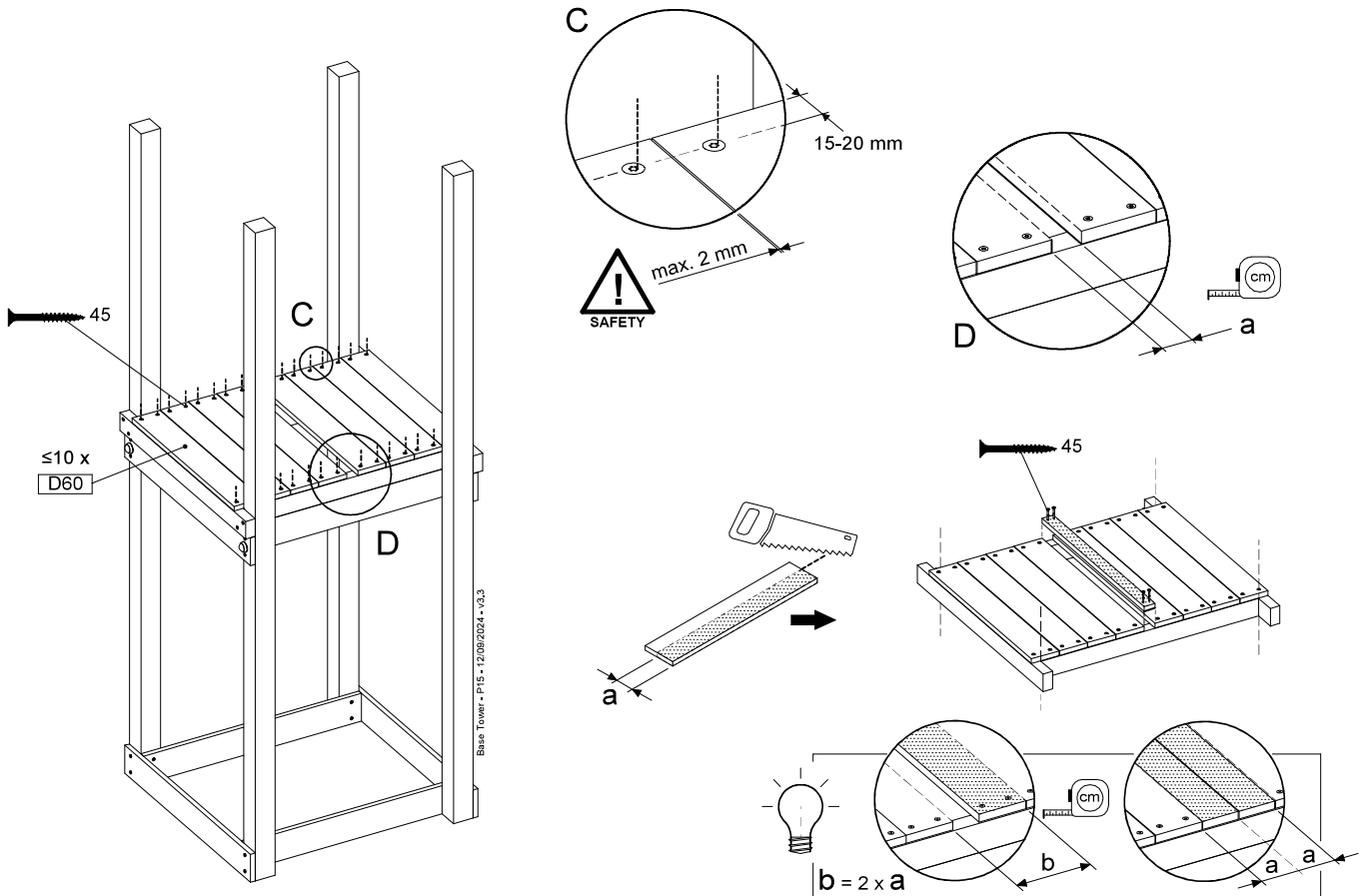
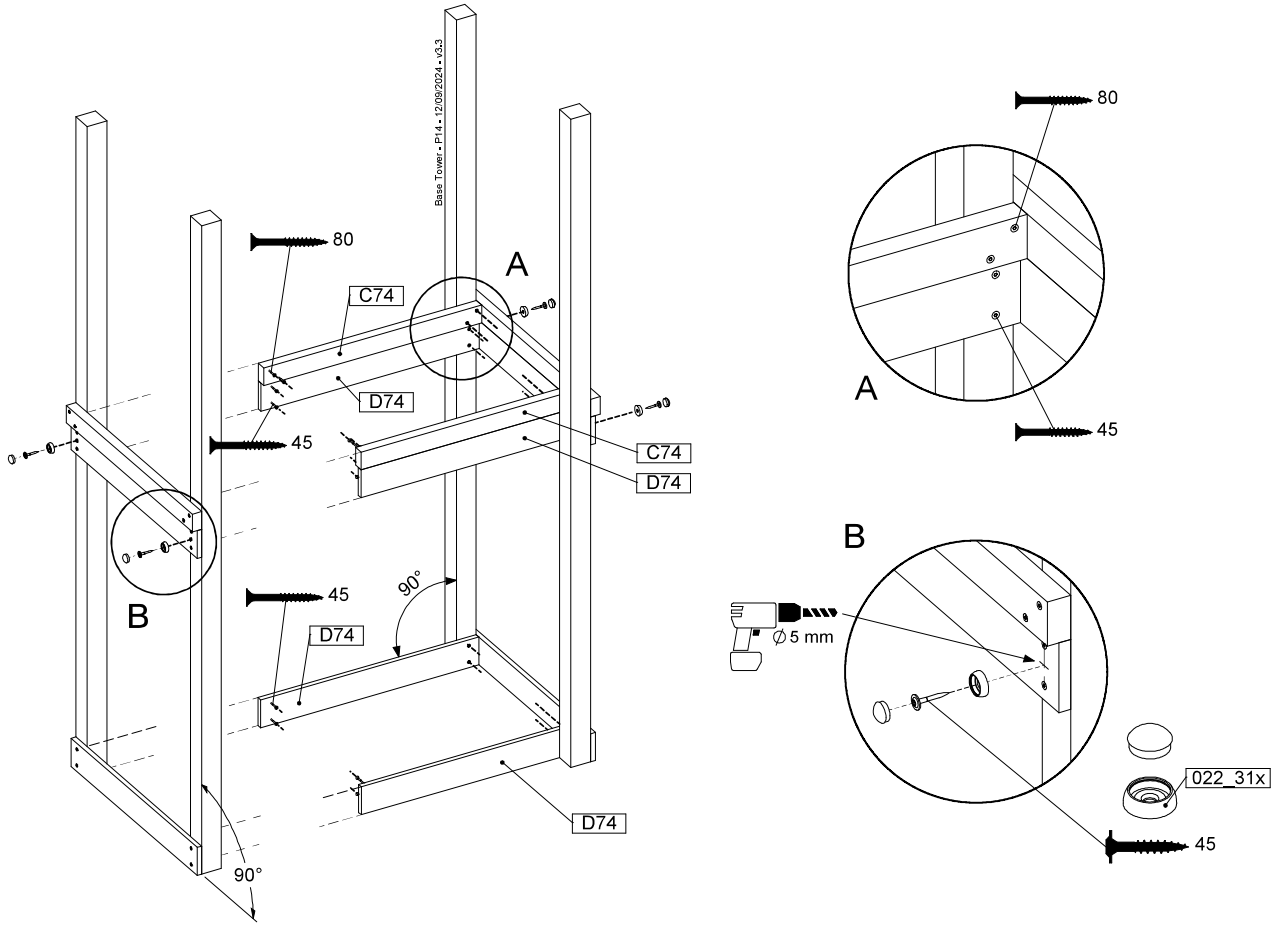
1 BT03a: Base Tower 80 125cm 220220

Assembly Pack: 194_100

| | PartNo | PartName | QTY. |
|------------------|---------|----------------------------|------|
| Hardware + Parts | 001_406 | Stealth Screw 8x45 | 6 |
| | 002_220 | Gap Point Screw T25 - 5x45 | 72 |
| | 002_223 | Gap Point Screw T25 - 5x80 | 16 |
| | 007_001 | Ground-anchor | 2 |
| | 022_31x | bpc-base version 3 | 4 |
| | 022_84x | bpc cover | 4 |
| Timber | A220 | Post ca.70x70 L2200 | 4 |
| | C74 | Beam 740 mm | 4 |
| | D60 | Board 600 mm | 10 |
| | D74 | Board 740 mm | 8 |

Base Tower - P10 - BT03 - 12/09/2024 - v3.3



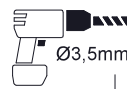
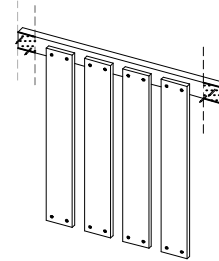


2 BL01a: Balustrade 80 U - 7x7 posts

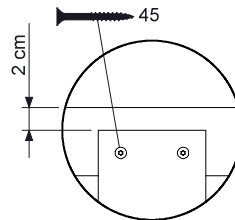
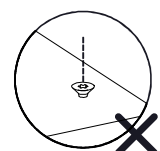
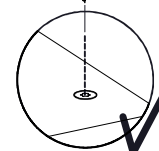
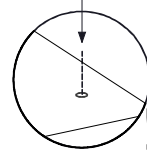
(194_101)

| | PartNo | PartName | QTY. |
|---------------|---------|----------------------------|------|
| Hardware Pack | 002_220 | Gap Point Screw T25 - 5x45 | 16 |
| | 100_601 | Gap Point Screw T25 - 5x80 | 4 |
| Timber | C74 | Beam 740 mm | 1 |
| | D65 | Board 650 mm | 4 |

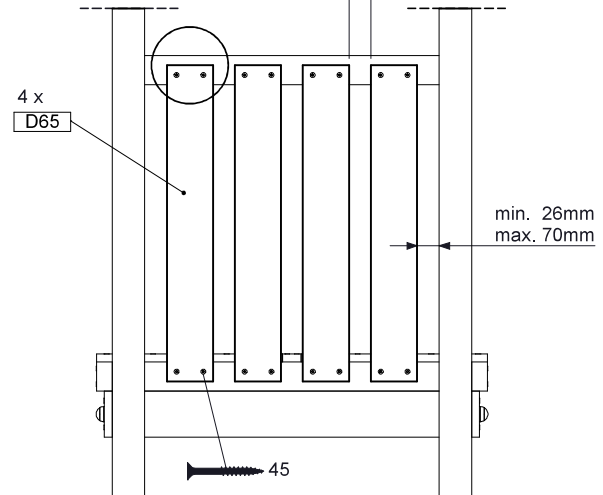
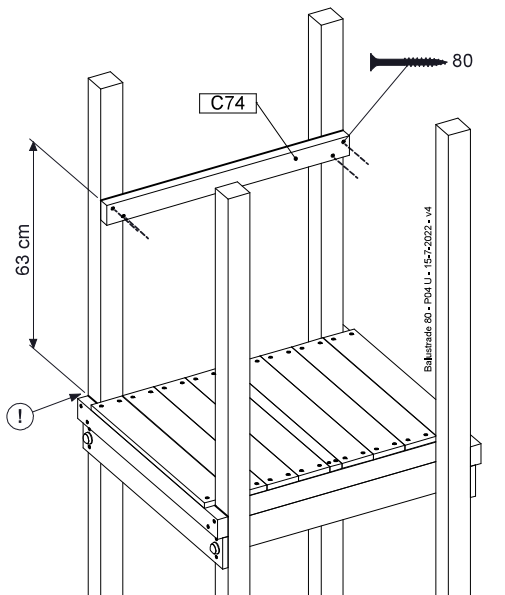
Balustrade 80 - P02 U - 15-7-2022 - v4



Ø3,5mm



min. 26mm
max. 70mm

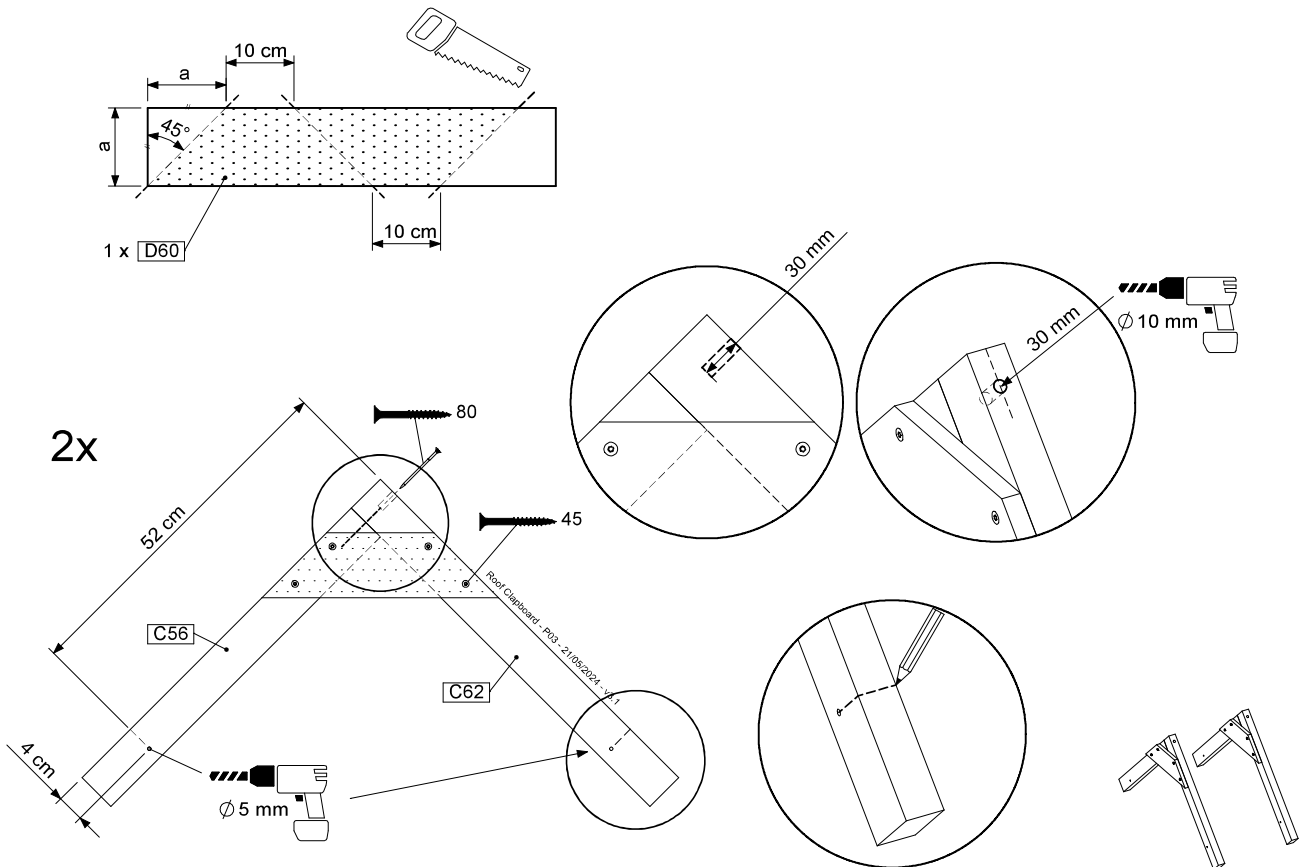
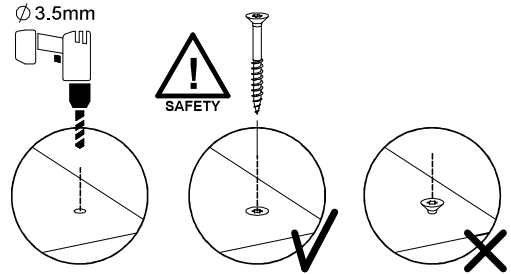
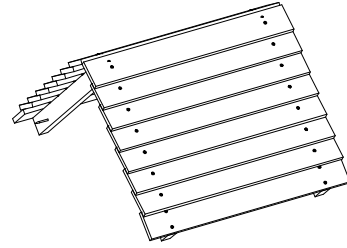


3 RF01a: Roof Timber Clapboard Gable 80

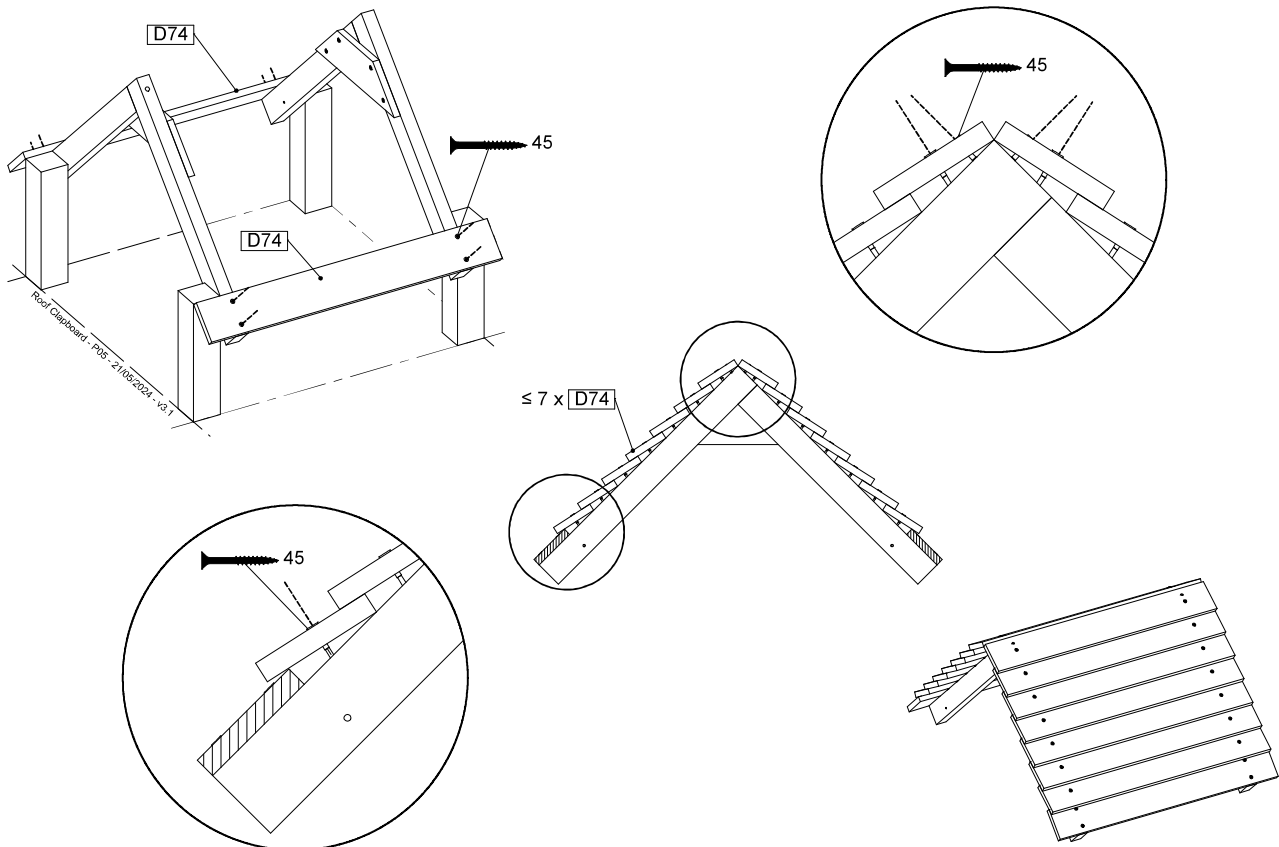
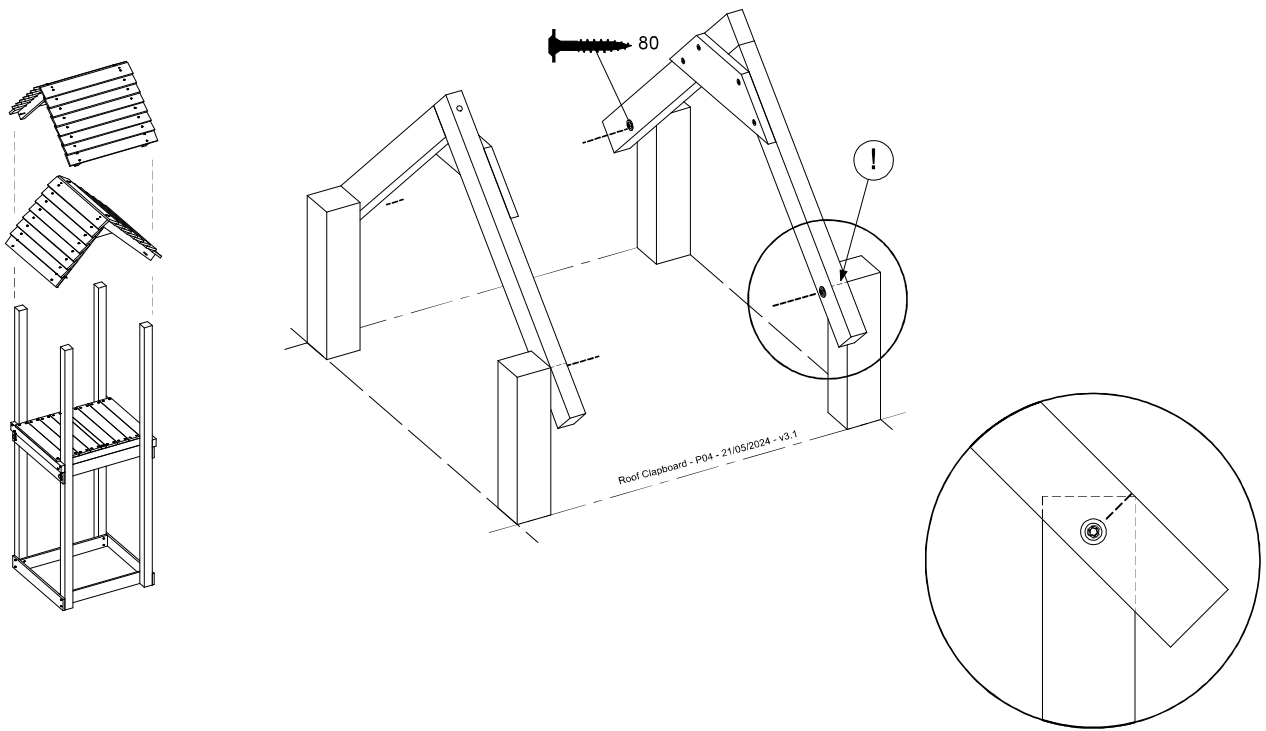
Assembly Pack: 194_111

| | PartNo | PartName | QTY. |
|---------------|---------|----------------------------|------|
| Hardware Pack | 001_417 | Stealth Screw 8x80 | 4 |
| | 002_220 | Gap Point Screw T25 - 5x45 | 48 |
| | 002_223 | Gap Point Screw T25 - 5x80 | 2 |
| Timber | C56 | Beam 560 mm | 2 |
| | C62 | Beam 620 mm | 2 |
| | D60 | Board 600 mm | 1 |
| | D74 | Board 740 mm | 16 |

Roof Clapboard - P02 - 21.05/2024 - v3.1



3.1

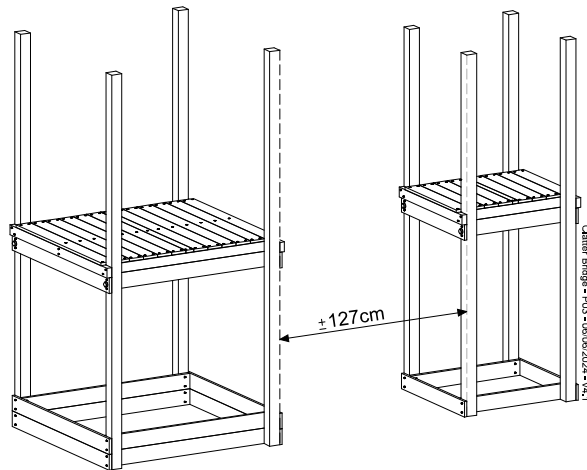
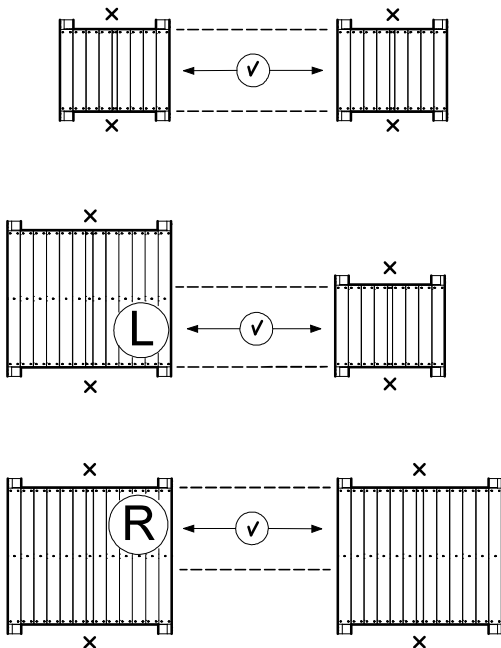
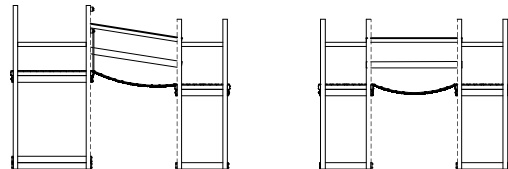
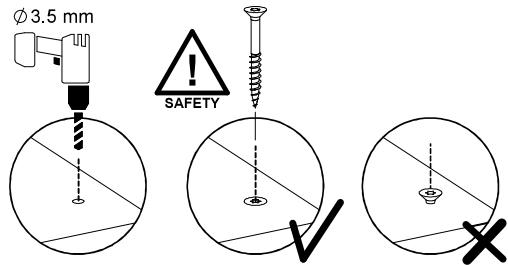
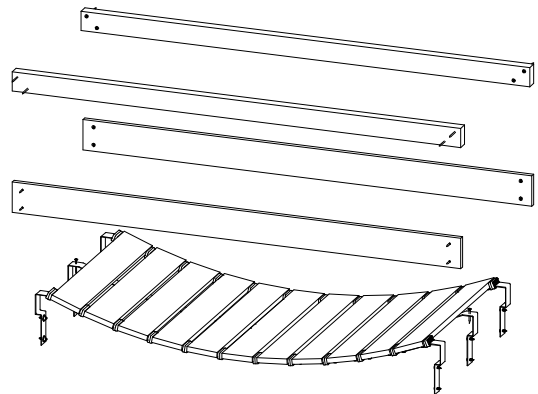


4 CB01a: Clatter Bridge - PART 1

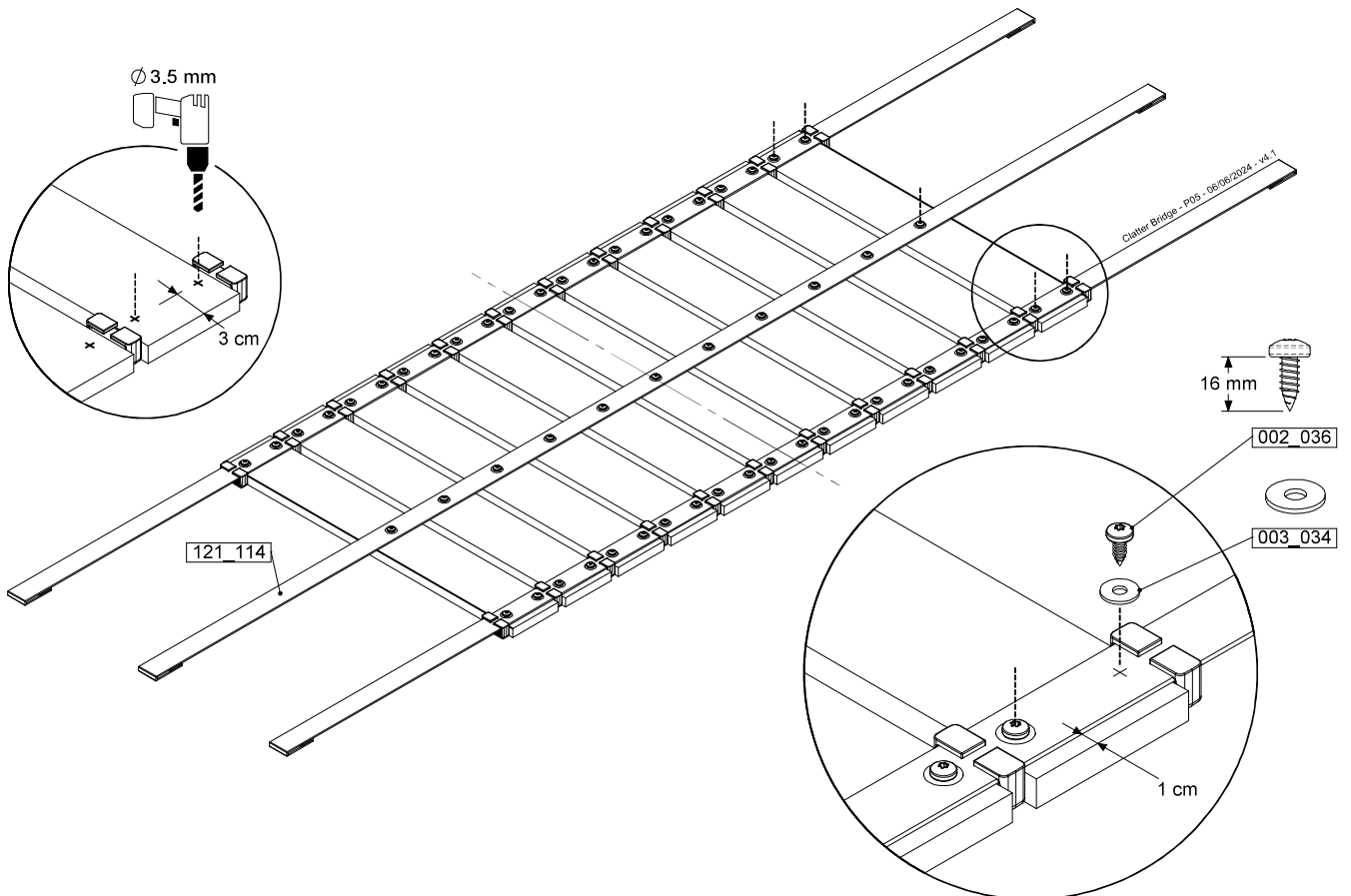
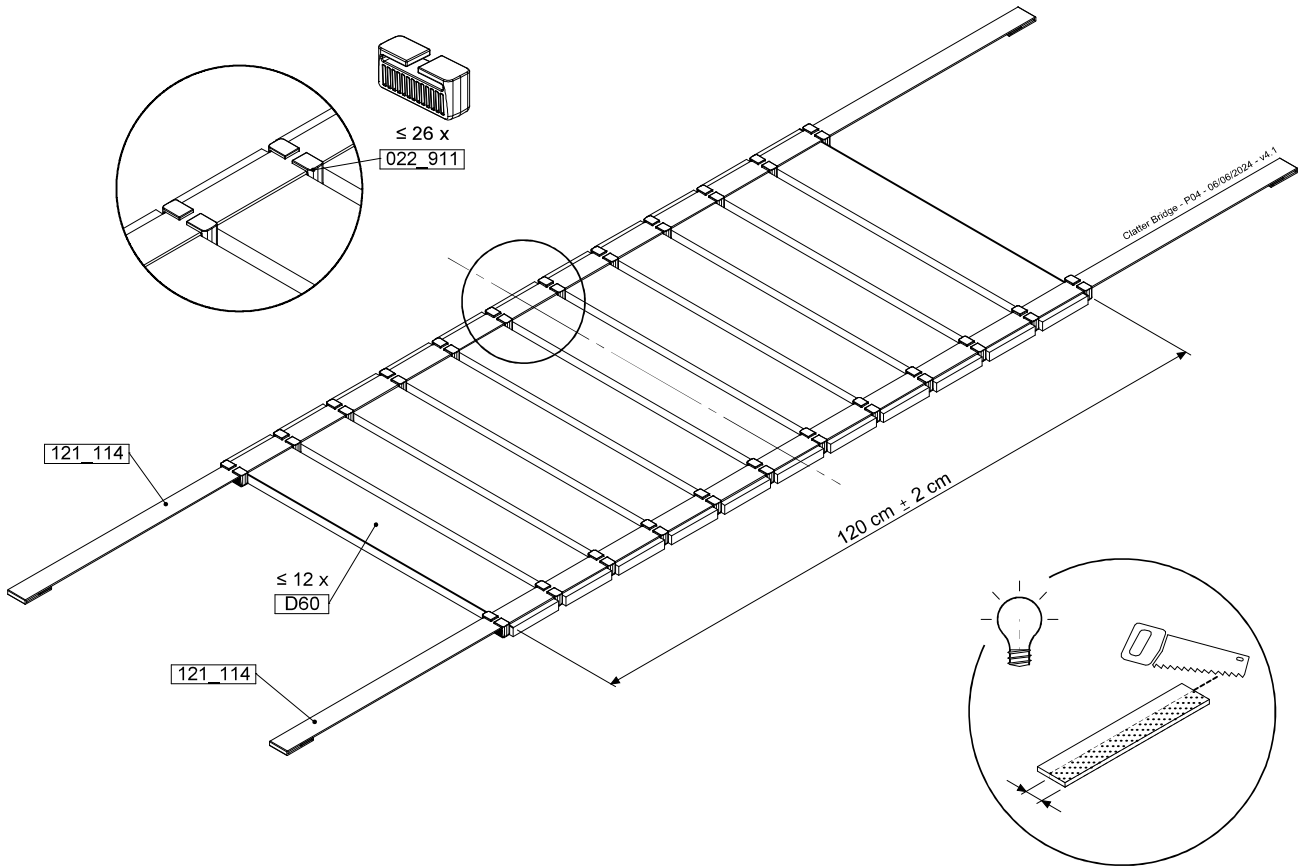
Assembly Pack: 194_116

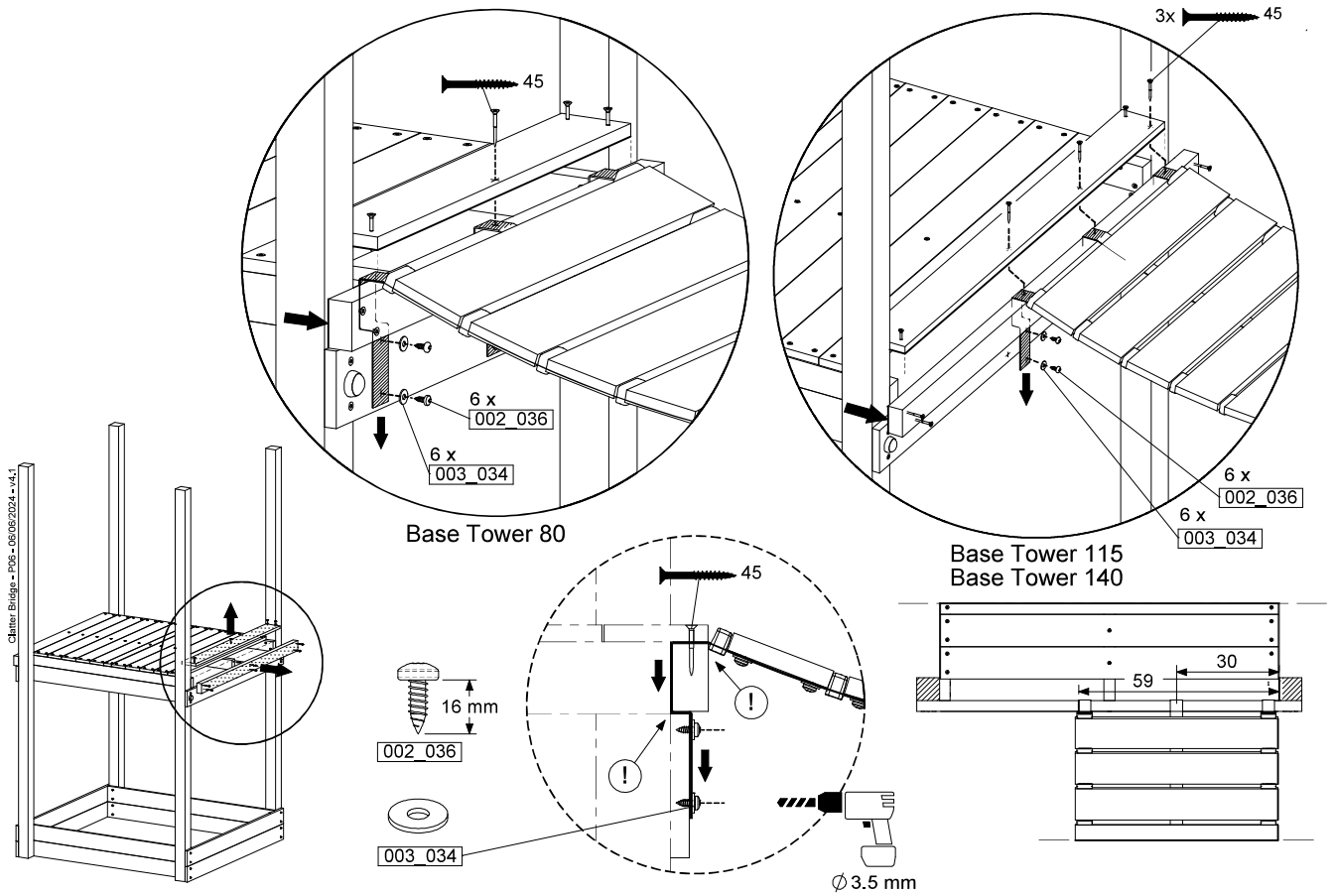
| | PartNo | PartName | QTY. |
|------------------|---------|---------------------------------|------|
| Hardware + Parts | 002_036 | 16mm Pan Head Tapping Screw T25 | 72 |
| | 002_220 | Gap Point Screw T25 - 5x45 | 10 |
| | 002_223 | Gap Point Screw T25 - 5x80 | 12 |
| | 003_034 | M6 Washer | 72 |
| | 022_911 | Bridge Spacer | 26 |
| | 121_114 | BridgeLink Strap 210cm | 3 |
| Timber | C141 | Beam 1410 mm | 2 |
| | D60 | Board 600 mm | 12 |
| | D141 | Board 1410 mm | 2 |

Clatter Bridge - P02 - 06/06/2024 - v4.1



4.1



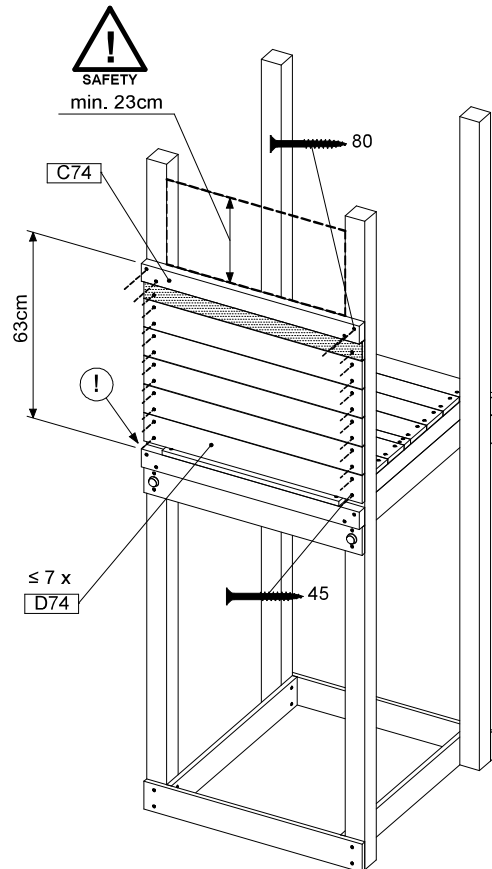
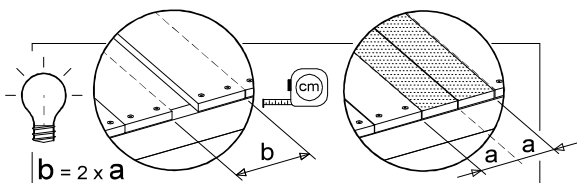
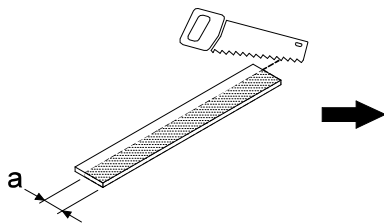
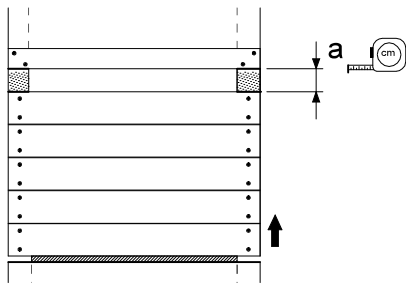
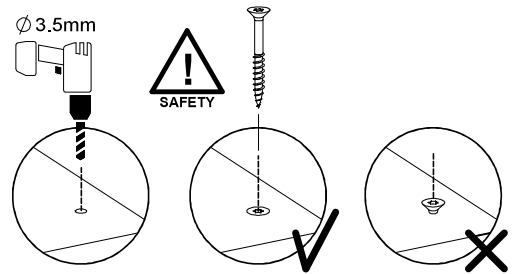
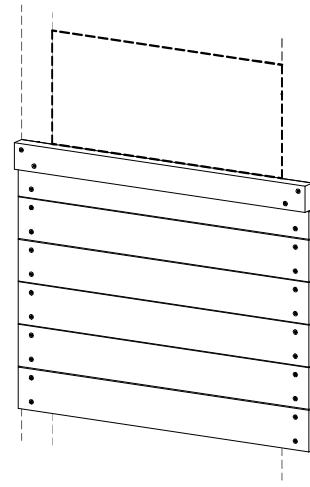


5 PH06a: Playhouse Window Panel 80 T

Assembly Pack: 194_501

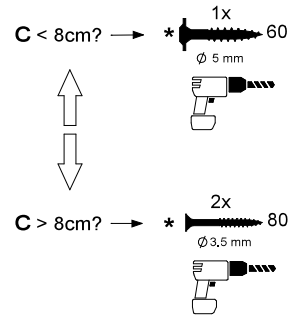
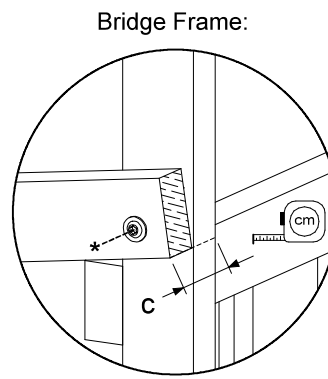
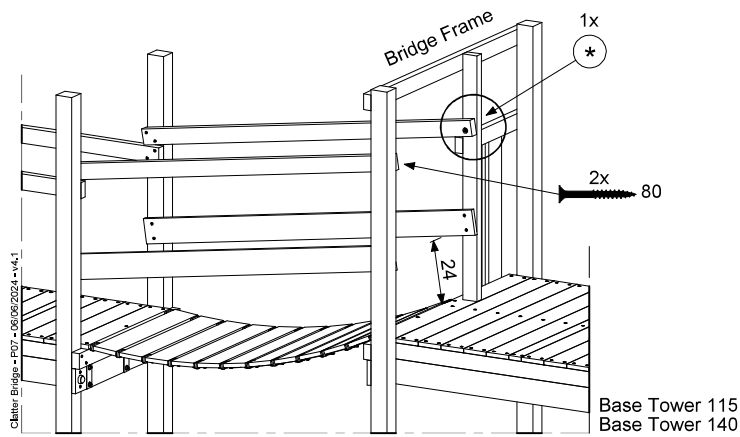
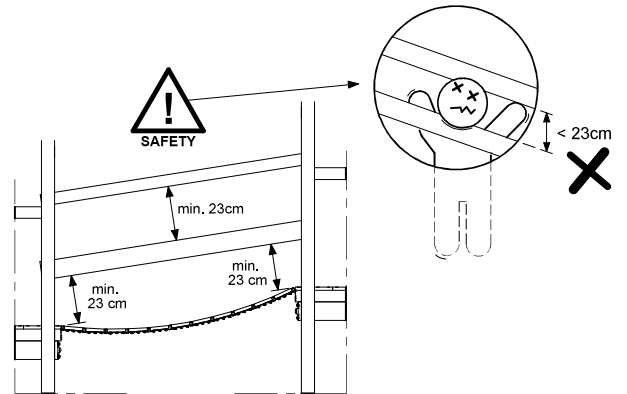
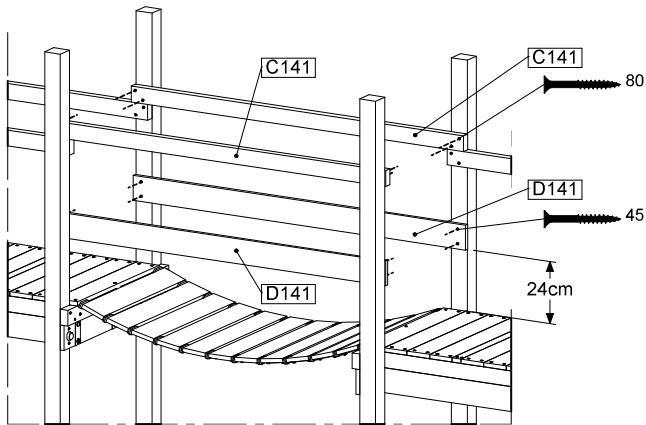
| | PartNo | PartName | QTY. |
|------------------|---------|----------------------------|------|
| Hardware + Parts | 002_220 | Gap Point Screw T25 - 5x45 | 28 |
| | 002_223 | Gap Point Screw T25 - 5x80 | 4 |
| Timber | C74 | Beam 740 mm | 1 |
| | D74 | Board 740 mm | 7 |

Playhouse Walls - P06 WMN T - 16/08/2024 - v4.2



Playhouse Walls - P13 WMN T - 16/08/2024 - v4.2

6 CB01a: Clatter Bridge - PART 2

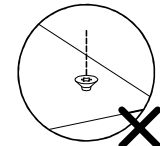
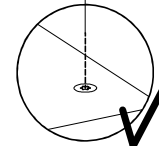
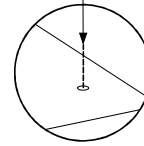
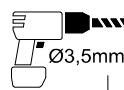
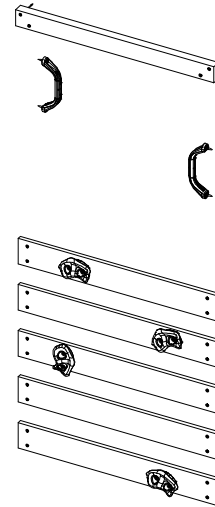


7 RW02a: Rock wall 80 125 T

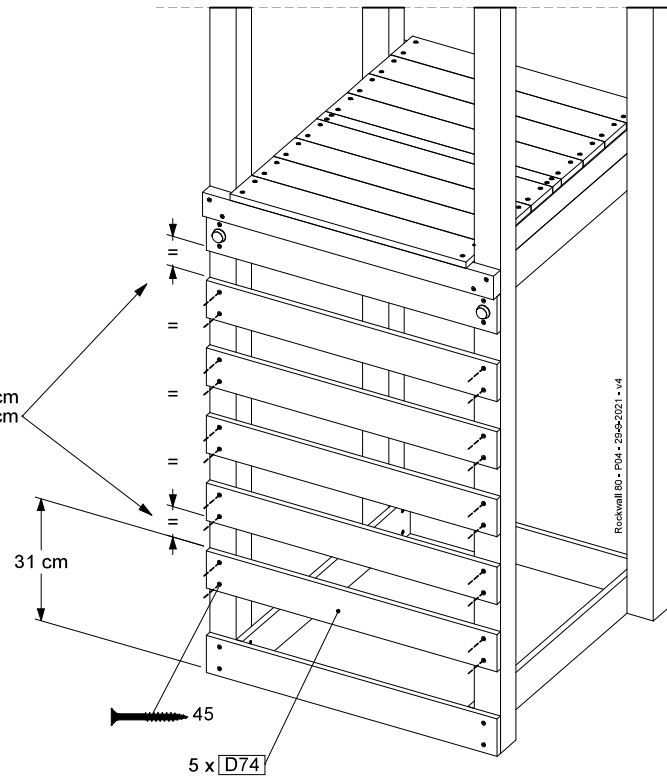
(194_105)

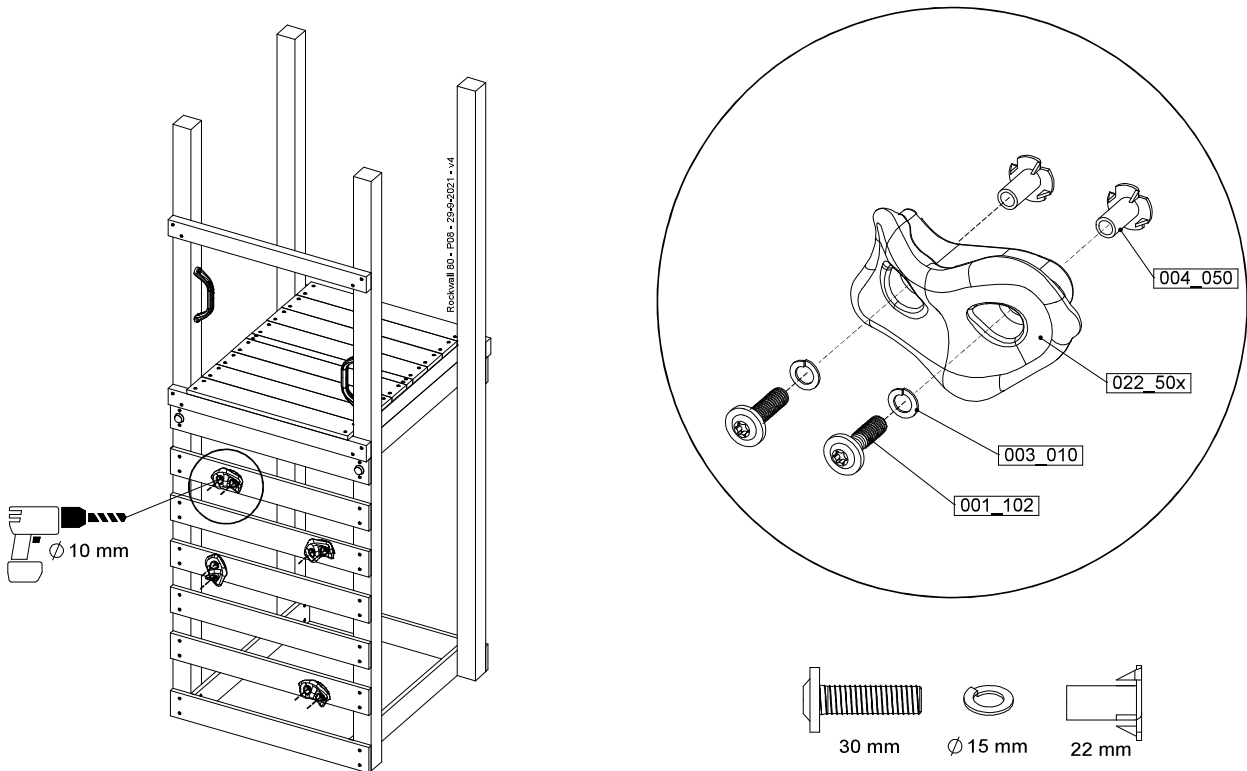
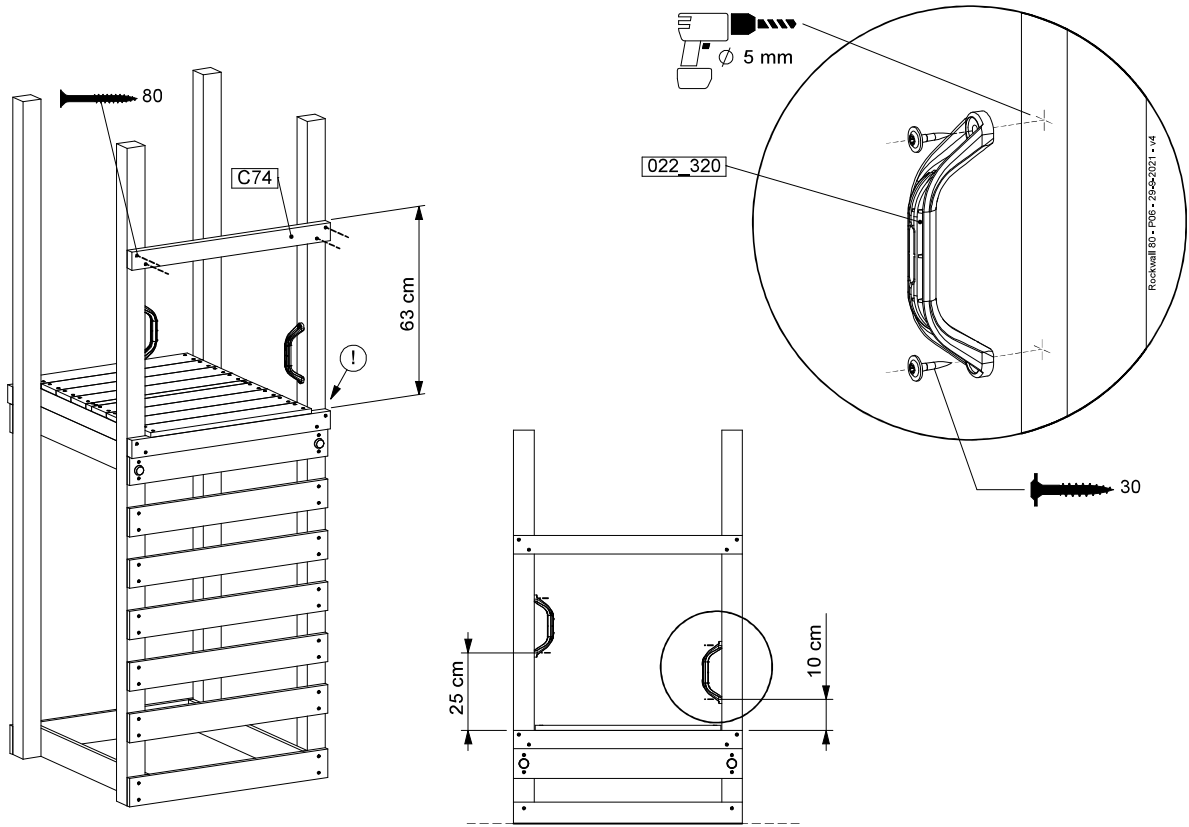
| | PartNo | PartName | QTY. |
|--------------------------|---------|-----------------------------|------|
| Hardware pack 100_604 | 001_102 | Washer Head Screw T40 M8x30 | 8 |
| | 002_220 | Gap Point Screw T25 - 5x45 | 24 |
| | 002_223 | Gap Point Screw T25 - 5x80 | 4 |
| | 003_010 | M8 spring lock washer | 8 |
| | 004_050 | M8 22mm Drive in Nut | 8 |
| Other | 022_50x | Climbing Rock | 4 |
| | 120_102 | Handgrip set (2x Complete) | 1 |
| Timber | C74 | Beam 740 mm | 1 |
| | D74 | Board 740 mm | 5 |

Rockwall 80 - P02 - 29-9-2021 - v4



min. 2,6 cm
max. 8,8 cm



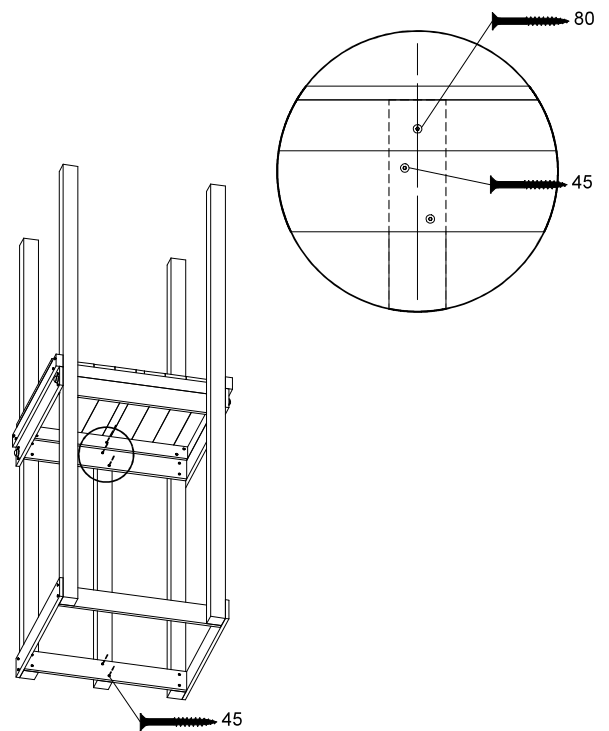
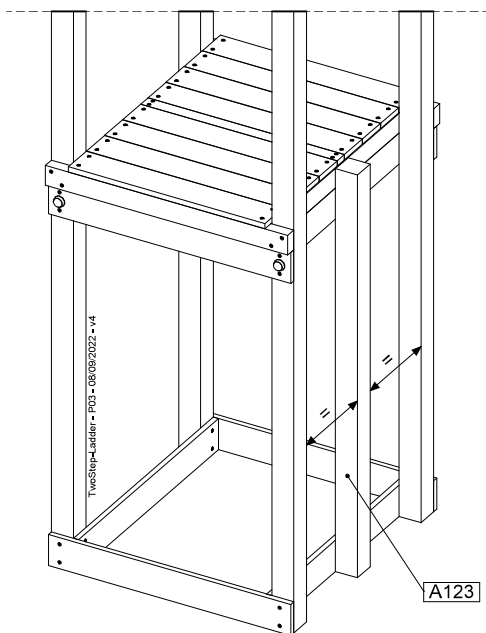
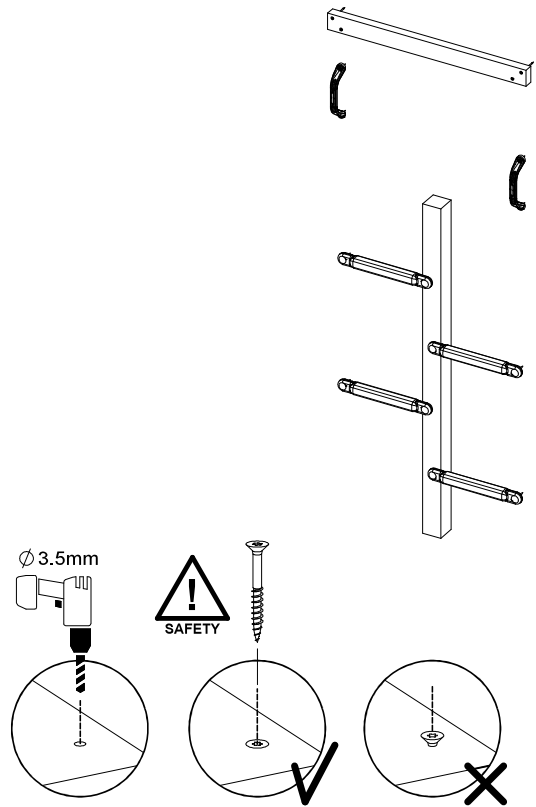


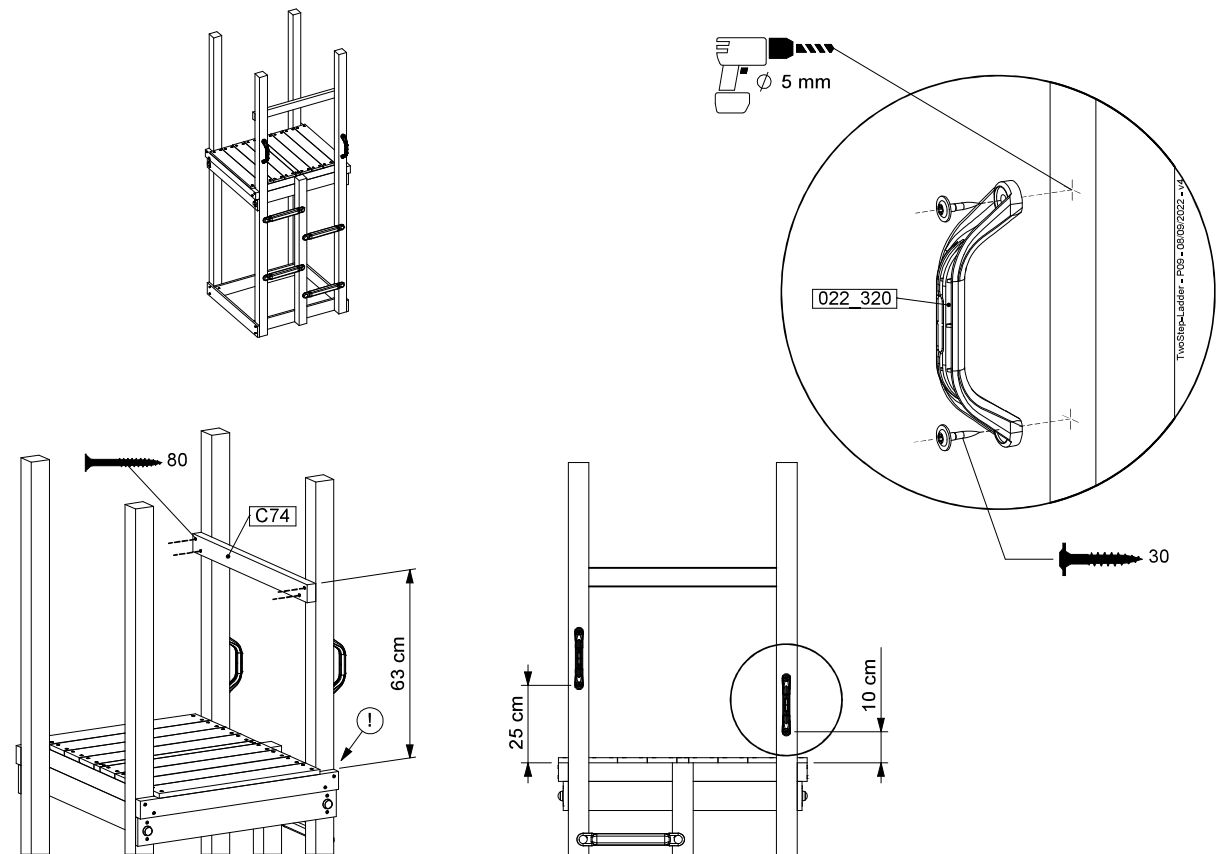
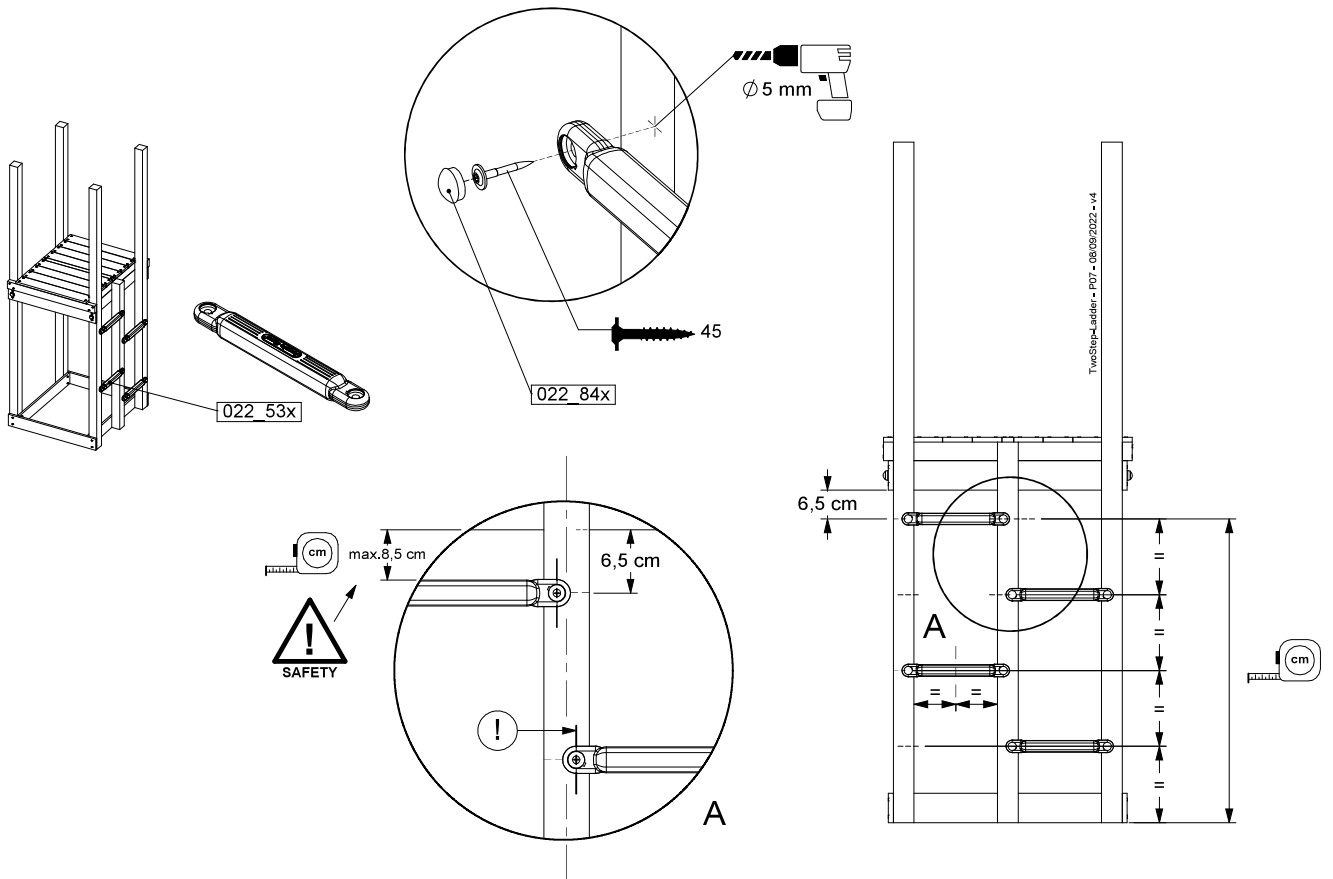
8 TS01a: Two Step 80 125 U

(194_102 / 194_002)

| | PartNo | PartName | QTY. |
|--------------------------------------|---------|----------------------------|------|
| Hardware Pack 100_602 /100_902 | 001_406 | Stealth Screw 8x45 | 8 |
| | 002_220 | Gap Point Screw T25 - 5x45 | 4 |
| | 002_223 | Gap Point Screw T25 - 5x80 | 5 |
| Other | 022_53x | Ladder/ Rope Rung 30cm | 4 |
| | 022_84x | bpc cover | 8 |
| | 120_102 | Handgrip set (2x Complete) | 1 |
| Timber | A123 | Post 70x70 L1230 | 1 |
| | C74 | Beam 740 mm | 1 |

TwoStep-Ladder - P02 - 08/09/2022 - v4



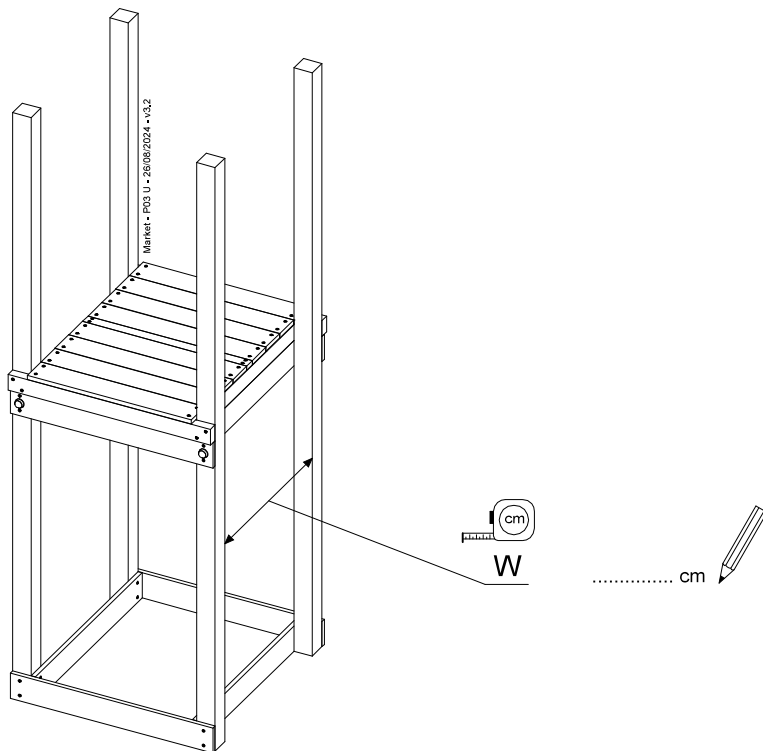
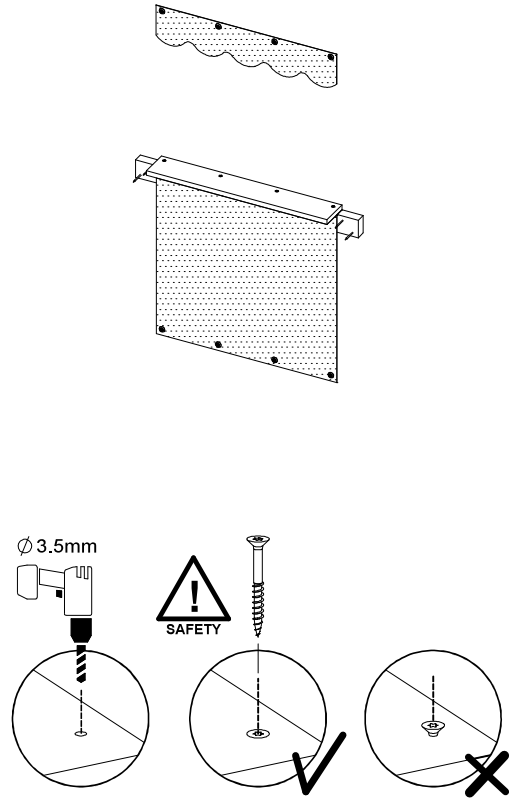


9 MT01a: Market 80 U

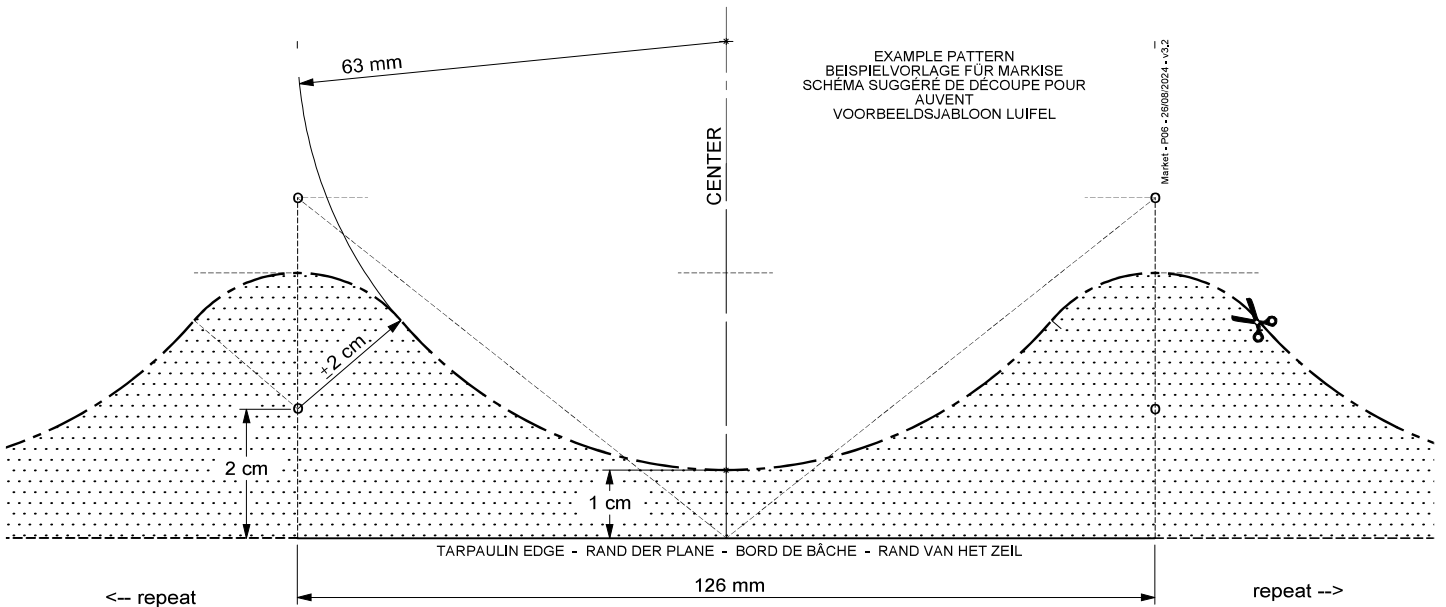
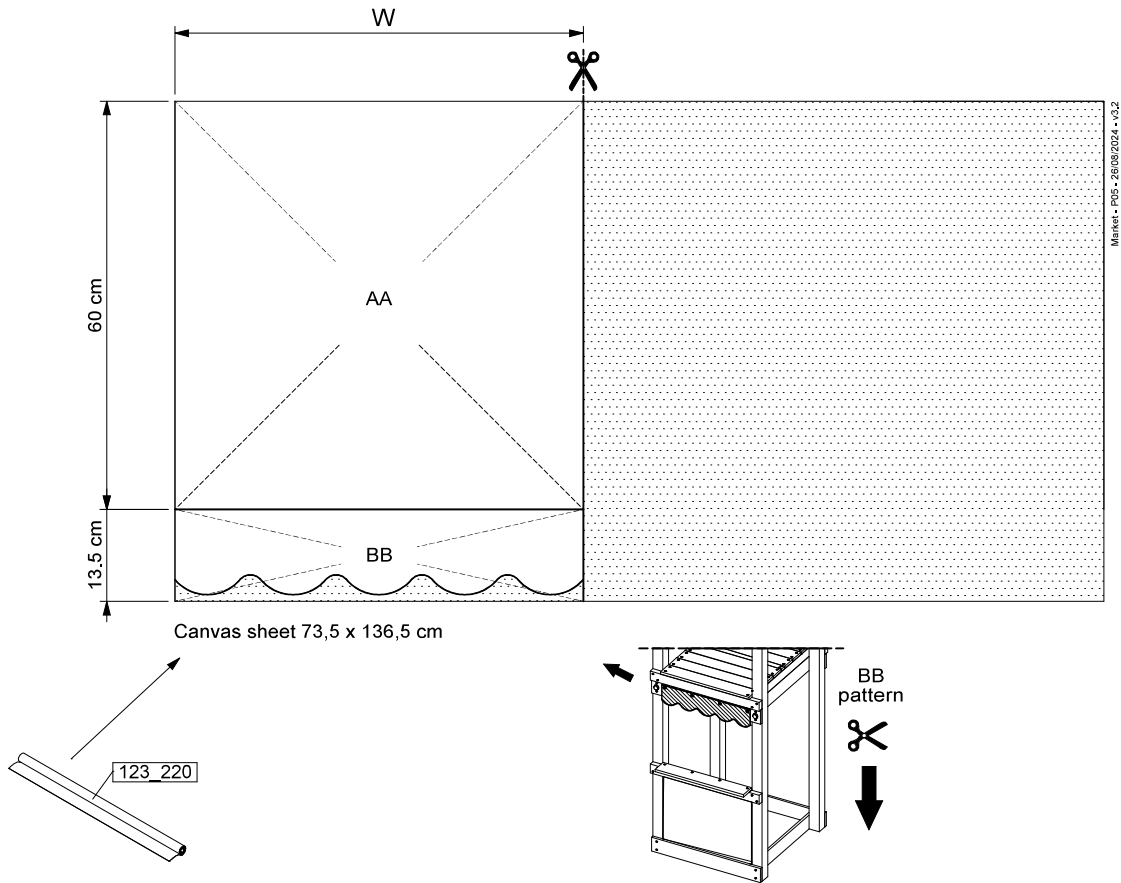
Assembly Pack: 194_113 (a) / 194_101 (b)

| | PartNo | PartName | QTY. |
|------------------|---------|----------------------------|------|
| Hardware + Parts | 002_220 | Gap Point Screw T25 - 5x45 | 4 |
| | 002_223 | Gap Point Screw T25 - 5x80 | 4 |
| | 002_308 | Gap Point Screw T25 - 5x20 | 8 |
| | 023_031 | Finishing Washer GPS 5.0 | 8 |
| | 123_220 | Canvas sheet 735x1365 | 1 |
| Timber | C74 | Beam 740 mm | 1 |
| | D60 | Board 600 mm | 1 |

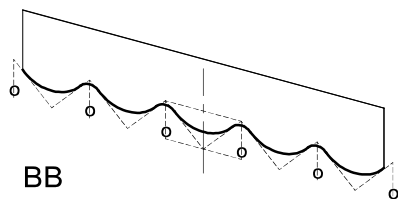
Market - P14U - 26/09/2024 - v3.2

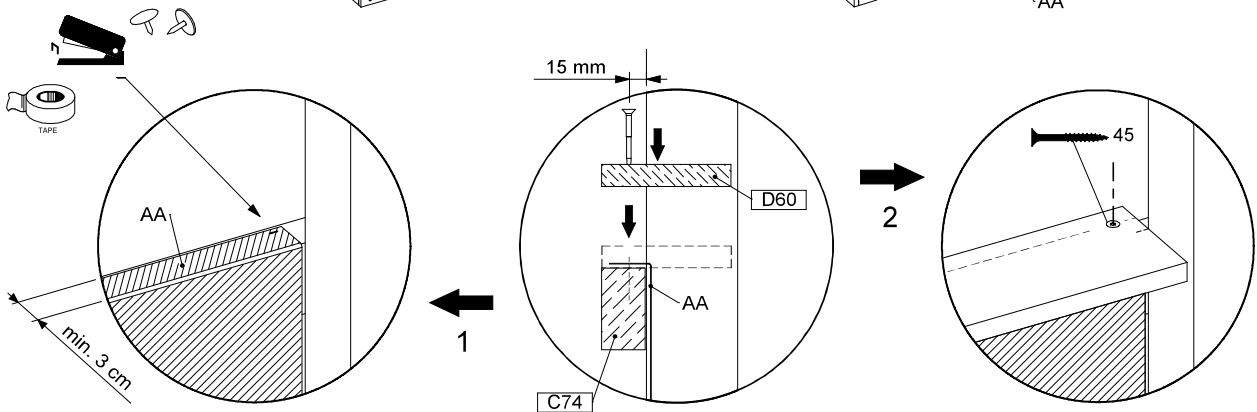
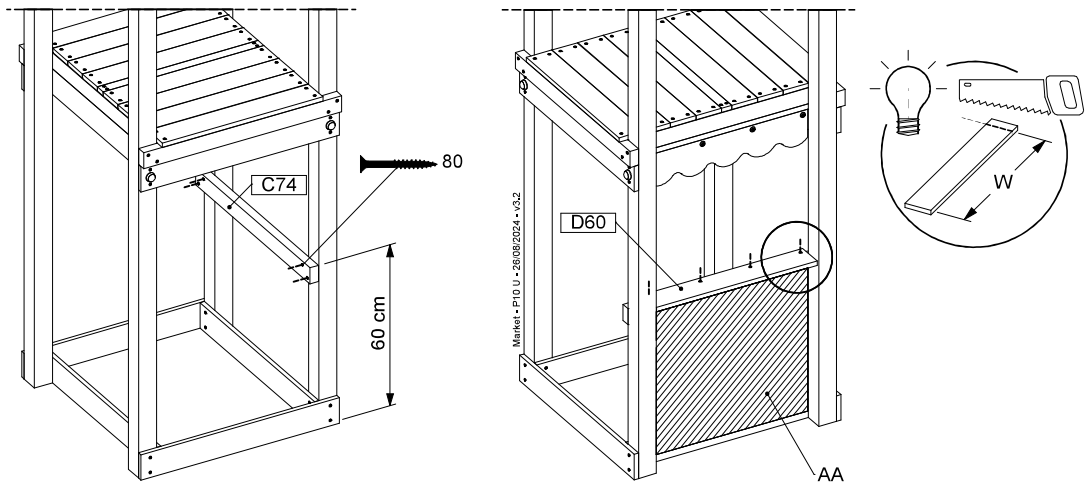
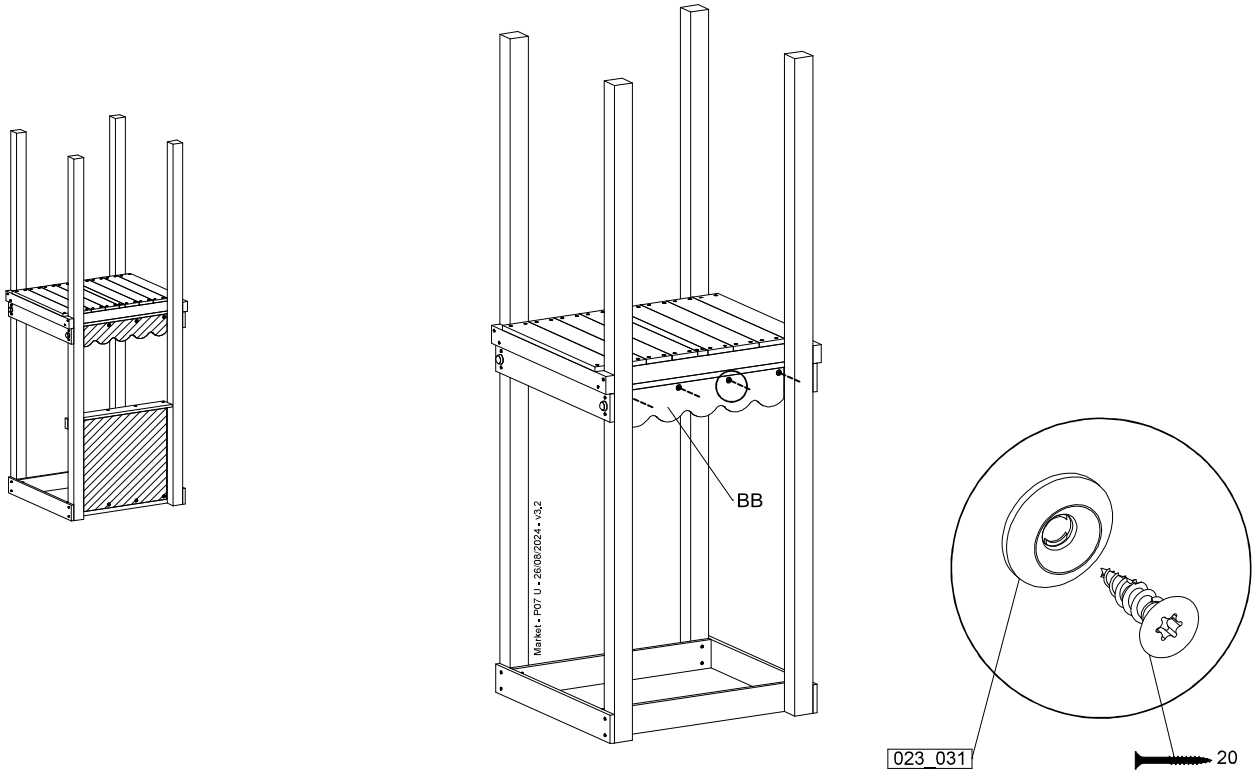


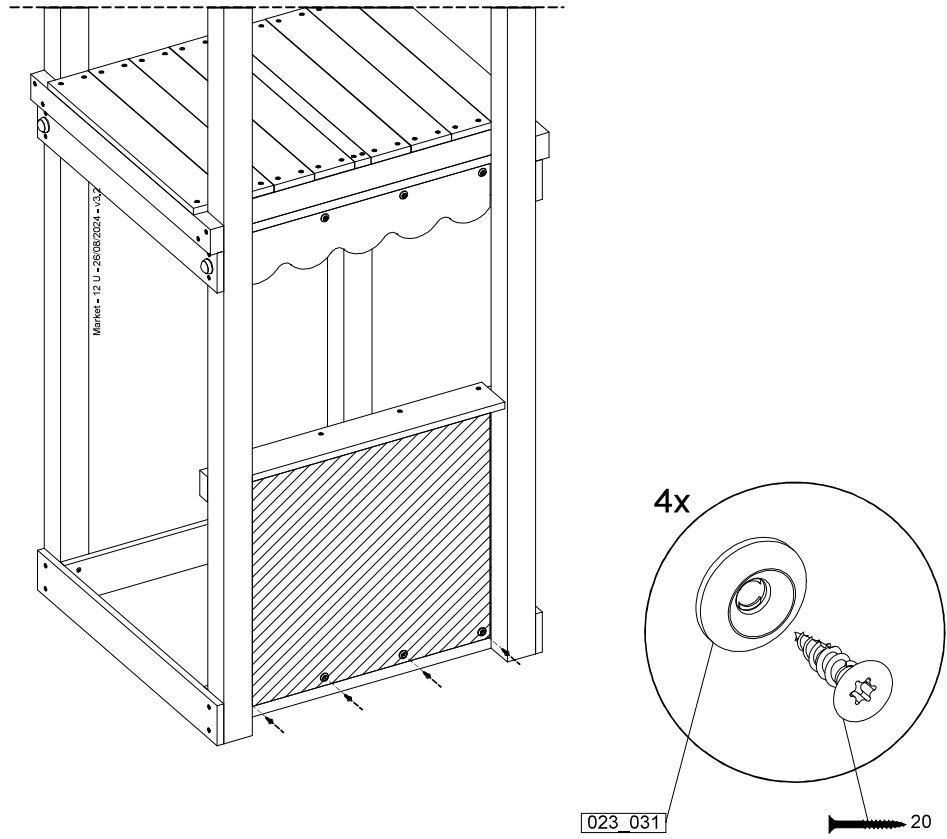
9.1



! Scale of print may not be accurate.
Druckformat kann abweichen.
Les tailles imprimées peuvent varier.
Printformaat kan afwijken.





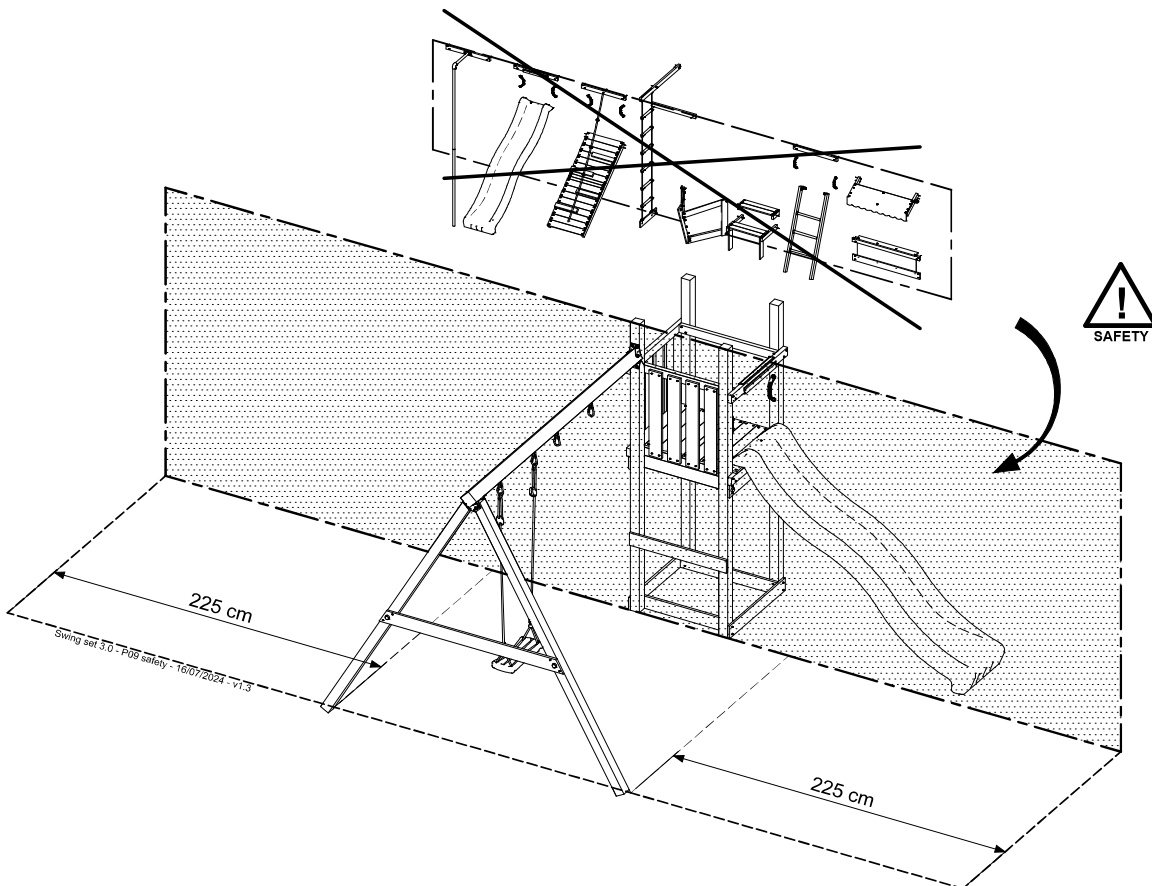
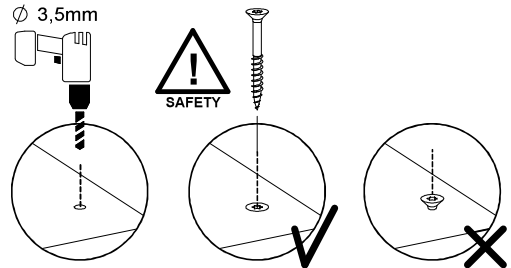
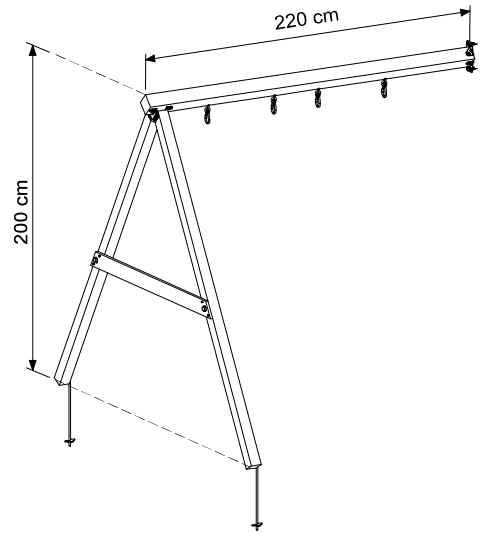


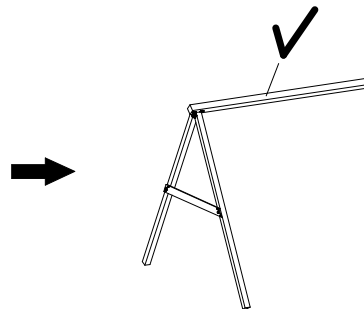
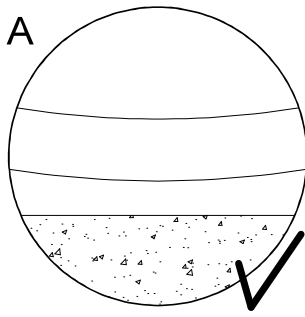
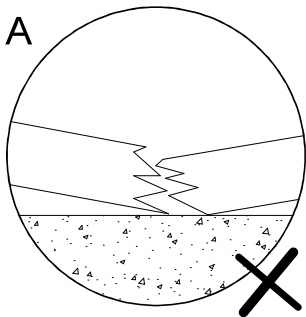
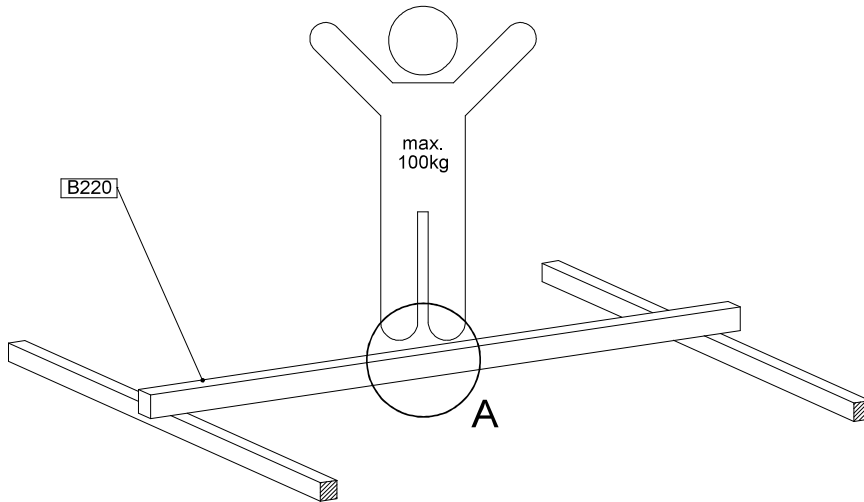
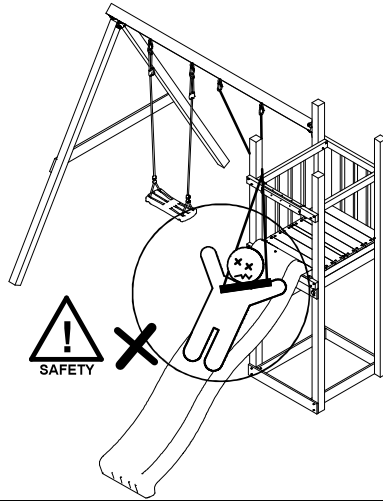
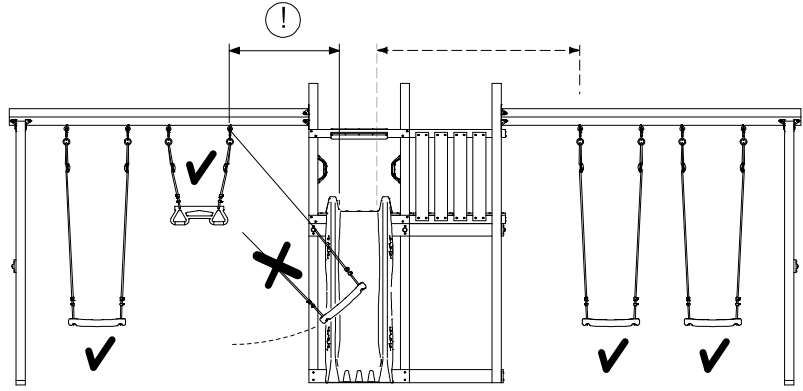
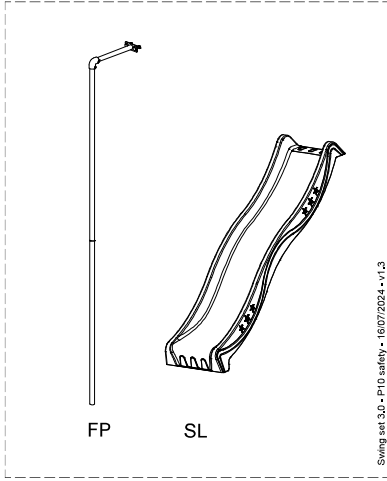
10 SW06a: 2- Swing Module 200 - 3.0

Assembly Kit: 457_103

| | PartNo | PartName | QTY. |
|------------------|---------|----------------------------|------|
| Hardware + Parts | 001_404 | Stealth Screw 8x30 | 4 |
| | 001_406 | Stealth Screw 8x45 | 22 |
| | 001_411 | Stealth Screw 8x60 | 2 |
| | 001_417 | Stealth Screw 8x80 | 2 |
| | 002_220 | Gap Point Screw T25 - 5x45 | 8 |
| | 002_223 | Gap Point Screw T25 - 5x80 | 2 |
| | 022_31x | bpc-base version 3 | 2 |
| | 022_84x | bpc cover | 2 |
| | 023_042 | Nylon washer 9x19x1.5 | 20 |
| | 005_096 | A-Frame V-Connector | 2 |
| | 005_097 | Swing V-Connector | 2 |
| | 007_001 | Ground-anchor | 2 |
| | 101_003 | Swing hook with Carabiner | 4 |
| Timber | A220 | Post ca.70x70 L2200 | 2 |
| | B220 | Post ca.90x90 L2200 | 1 |
| | D141 | Board 1410 mm | 2 |

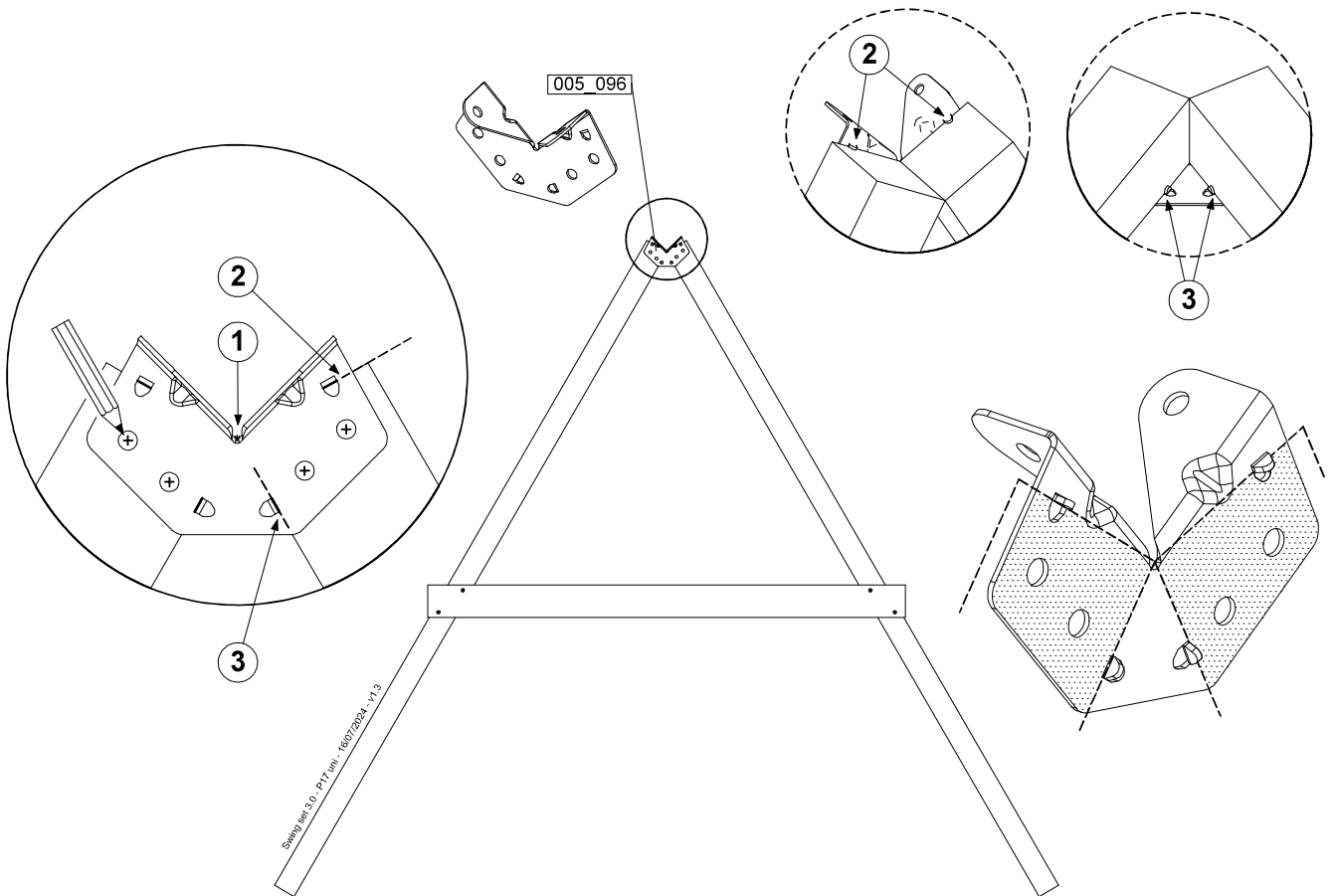
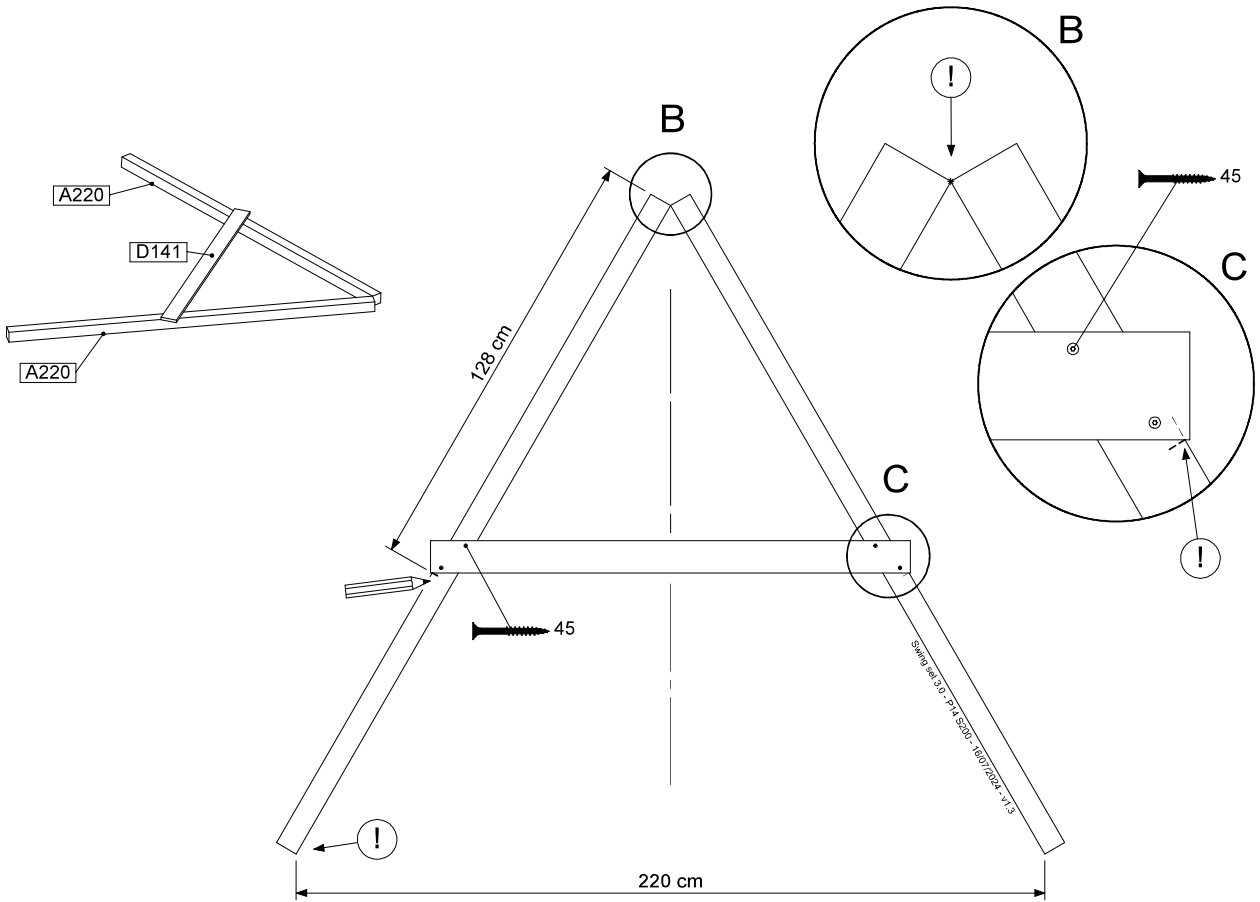
Swing set 3.0 - P04 25200 - 16/07/2024 - v1.3

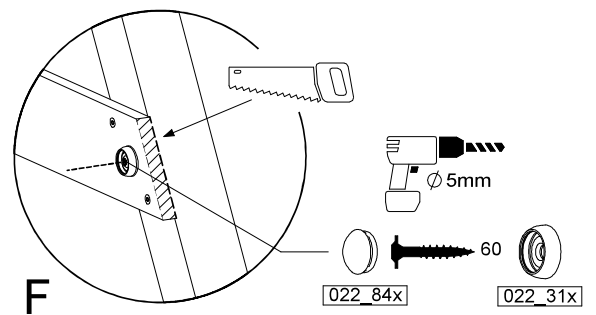
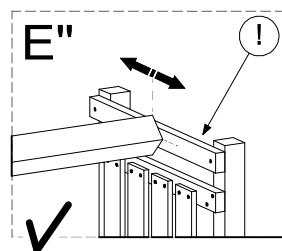
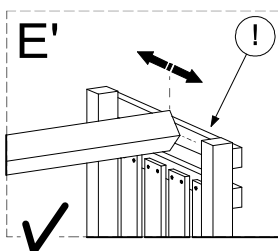
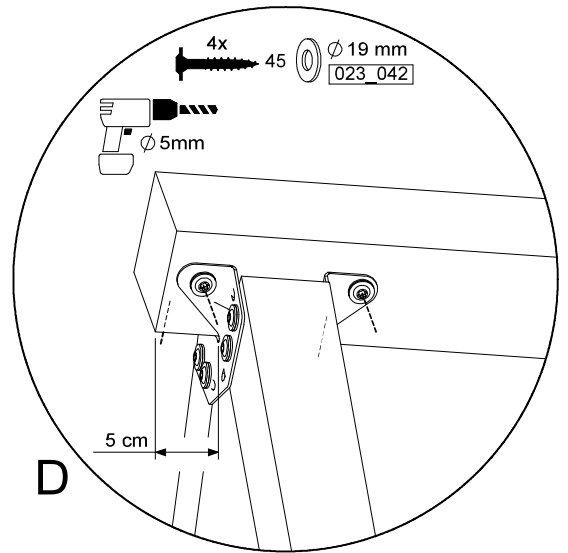
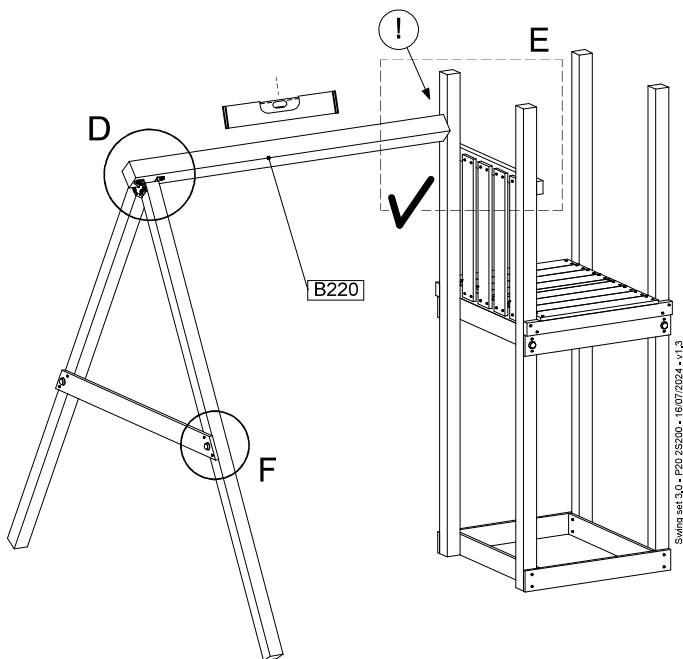
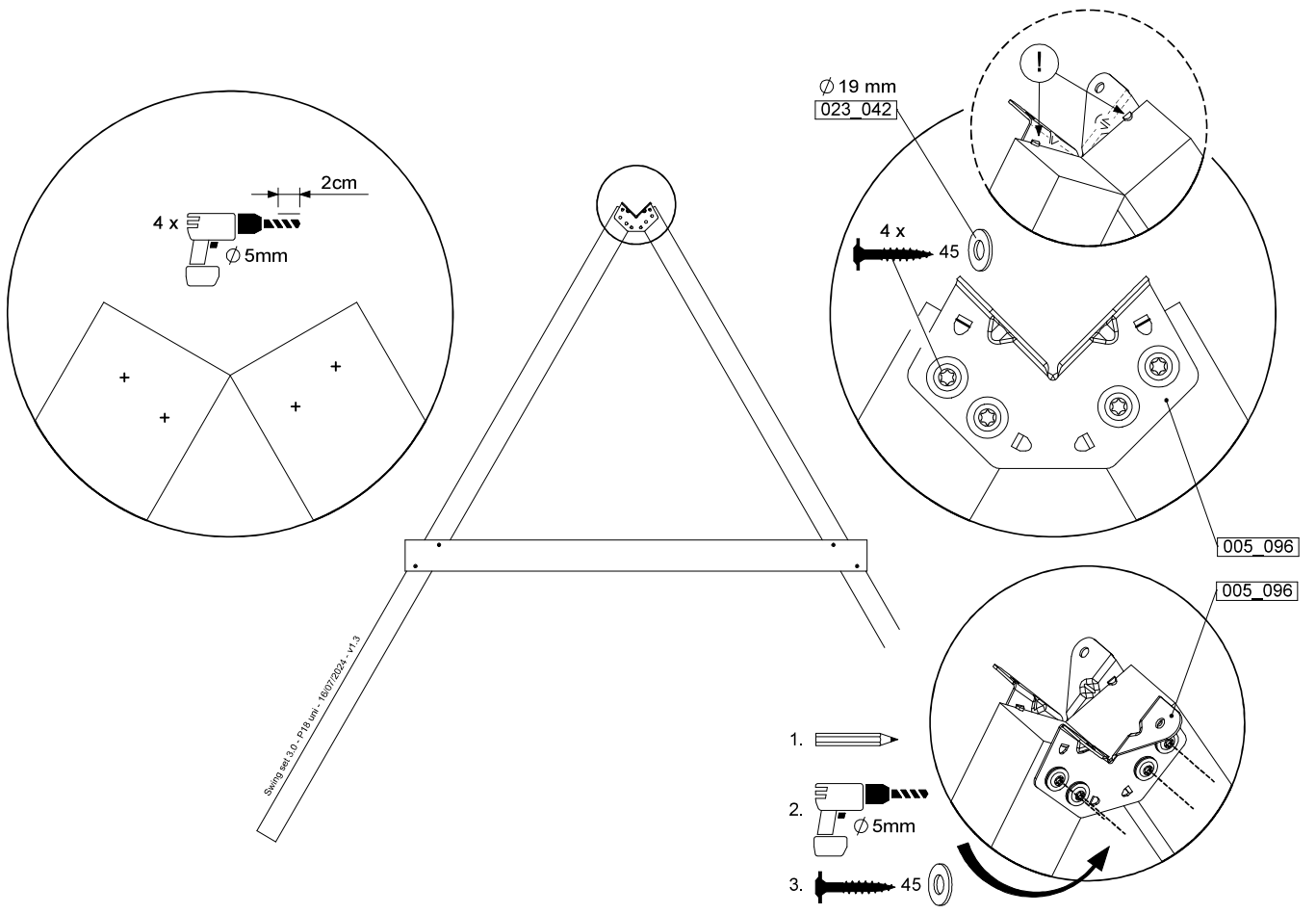




Swing set 3.0 - P12 25200 - 16/07/2024 - v1.3

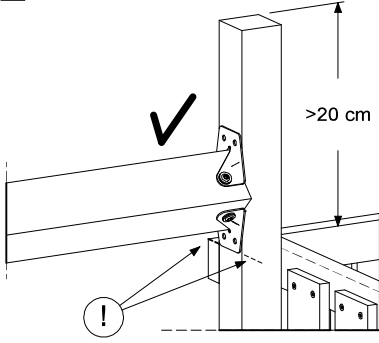
10.2



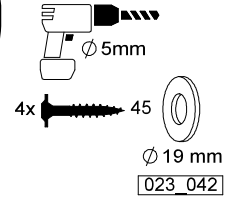
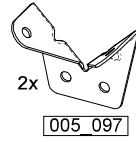
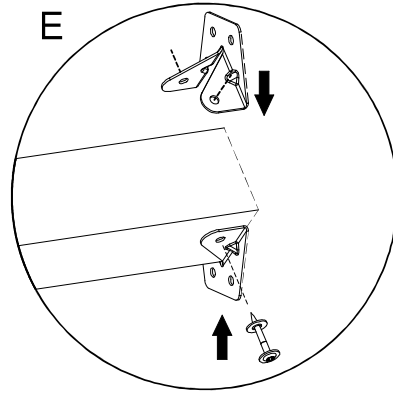


10.4

E

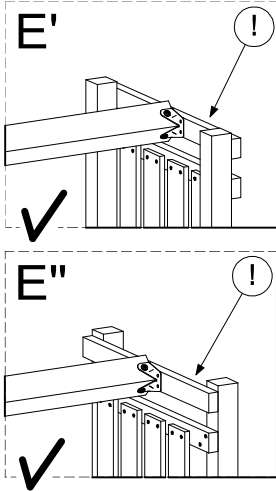
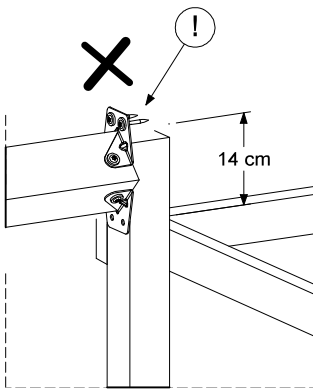


E

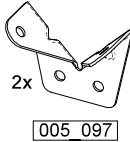
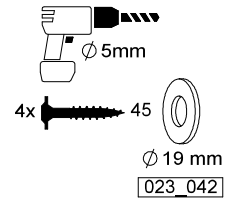
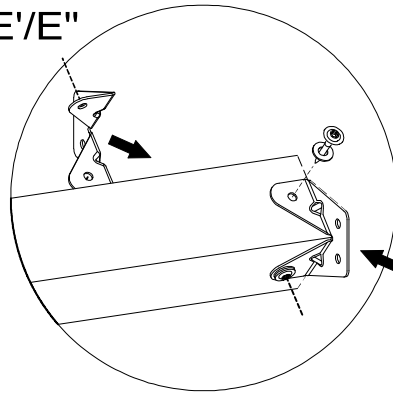


Swing set 3.0 - P22 uni - 16/07/2024 - v1.3

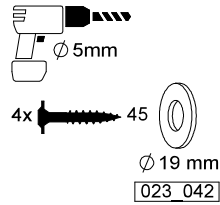
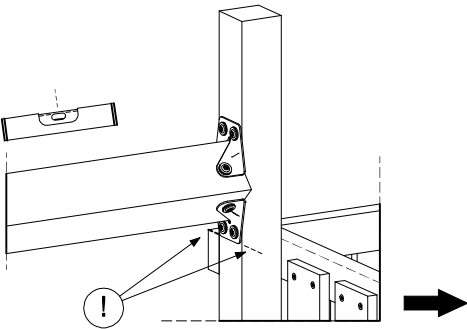
E'/E''



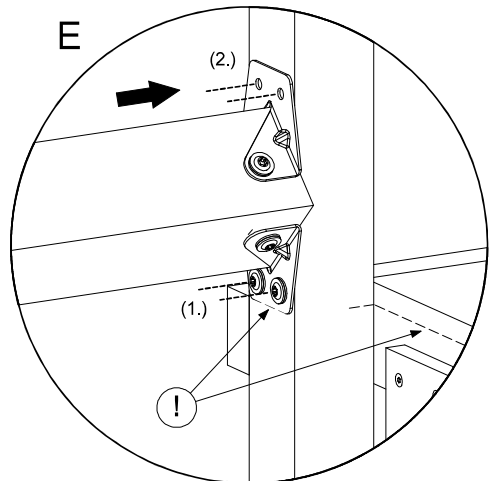
E'/E''



E

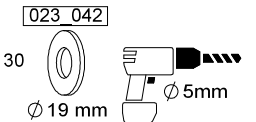
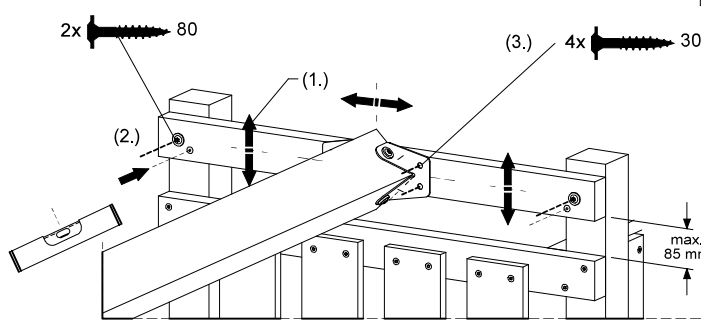
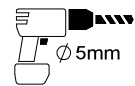
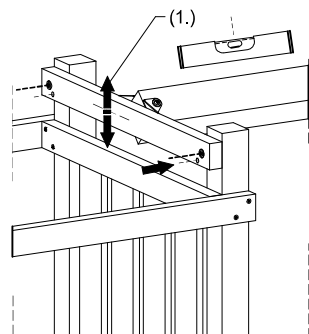


E



Swing set 3.0 - P23 uni - 16/07/2024 - v1.3

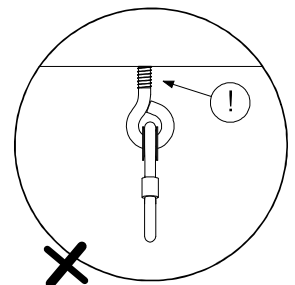
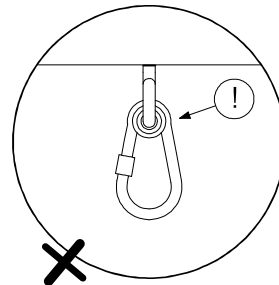
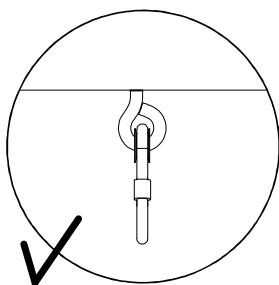
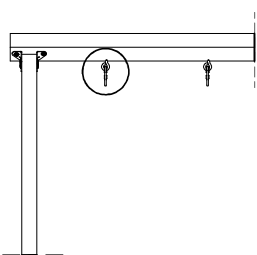
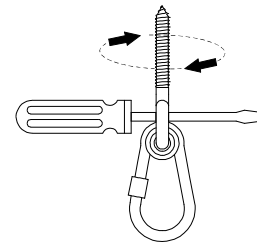
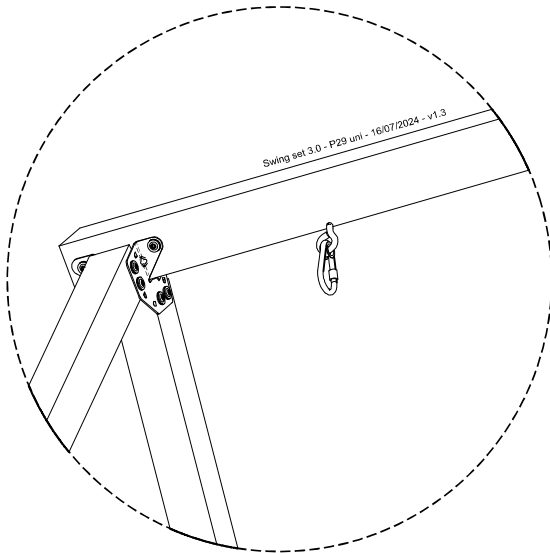
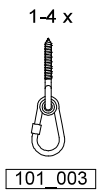
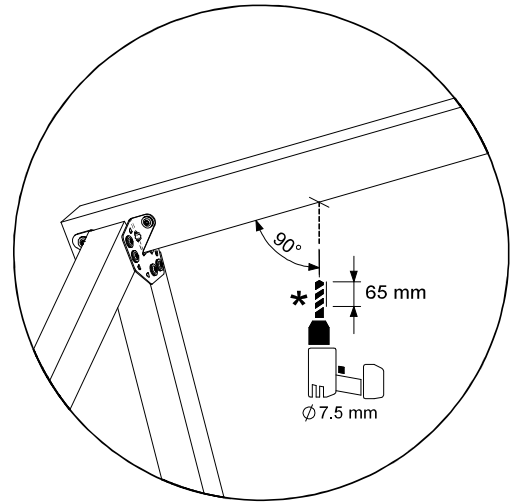
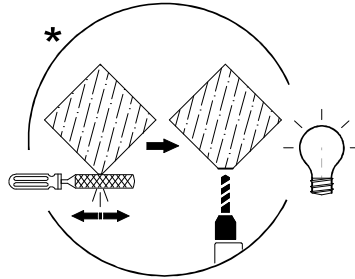
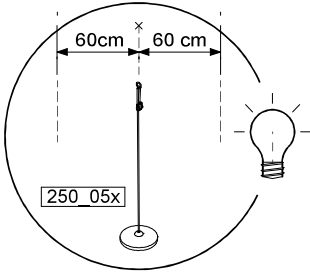
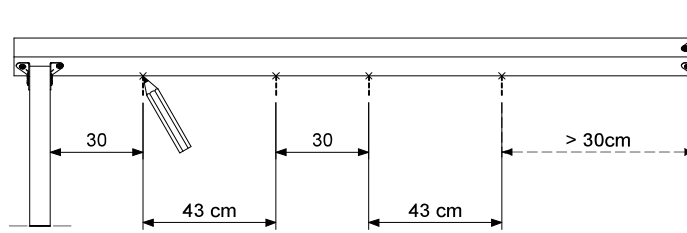
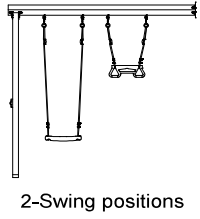
E'/E''



E'

(E'')





10.6

