

Assembly instructions

Activity toys to be assembled by adults for outdoor domestic use.

Montageanleitung

Aktivitätsspielzeug zum Zusammenbauen durch Erwachsene für den Einsatz im häuslichen Außenbereich.

Instructions de montage

Jouets d'activité à assembler par des adultes pour une utilisation extérieure familial.

2

PART

Design Code : **9chsM6**

Article Number : **211560**

Product Name : **Hotel 2-Climb 3.0**



Manual ID: 048_067_2612

360°



Jungle Gym

BACKYARD PLAYGROUNDS

since 1988

Assembly
time



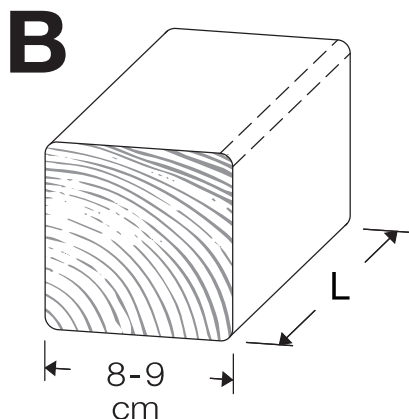
hours
by 2 adults



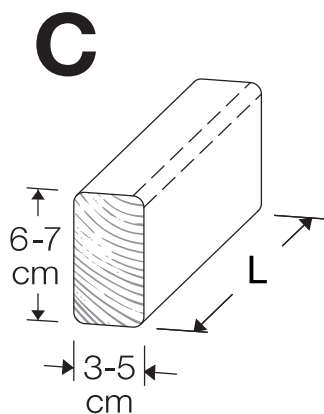
EN. Warning! Only for domestic use. Maximum number of users is **23**. **DE.** Achtung! Nur für den Hausgebrauch. Maximale Benutzerzahl: **23**. **FR.** Attention! Réserve à un usage familial. Le nombre maximal d'utilisateurs est de **23**. **BG.** Внимание! За употреба само в домашни условия. Максималният брой потребители е **23**. **CS.** Varování! Jen pro domácí použití. Maximální počet uživatelů je **23**. **DA.** Advarsel! Kun til privat brug. Maksimum antal brugere er **23**. **EL.** Προειδοποίησης! Μόνο για οικιακή χρήση. Μέγιστος αριθμός χρηστών **23**. **ES.** Advertencias! Sólo para uso doméstico. Número máximo de usuarios: **23**. **ET.** Hoiatused! Ainult koduseks kasutamiseks. Maksimaalne kasutajate arv on **23**. **FI.** Varoitukset! Ainoastaan kotikäyttöön. Käyttäjää yhteensä enintään **23**. **HR.** Upozorenja! Samo za uporabu u domu. Maksimalan broj korisnika je **23**. **HU.** Figyelmeztetések! Csak otthoni használatra! A használók max. száma: **23**. **IS.** Varnaðarör! Eingöngu fyrir einkanoðkun í heimahúsum og á einkalöðum. Hámarksfjöldi notenda er **23**. **IT.** Avvertenze! Solo per uso domestico. Massimo numero di utenti è **23**. **LT.** Dėmesio! Tik buitiniam naudojimui. Maksimalus naudotojų skaičius **23**. **LV.** Brīdinājumi. Izmantot tikai mājās. Maksimālais lietotāju skaits ir **23**. **NL.** Waarschuwing! Uitsluitend voor huishoudelijk gebruik. Het maximale aantal gebruikers is **23**. **NO.** Advarsel! Kun for privat bruk. Maksimalt antall brukere er **23**. **PL.** Ostrzeżenia! Wyłącznie do użytku domowego. Maksymalna liczba użytkowników to **23**. **PT.** Avisos! Apenas para uso doméstico. O número máximo de utilizadores é **23**. **RO.** Avertismente! Numai pentru uz domestic. Numărul maxim de utilizatori este **23**. **SK.** Upozornenia! Iba na domáce použitie. Maximálne množstvo osôb je **23**. **SL.** Opozorila! Samo za domačo uporabo. Maksimalno število uporabnikov je **23**. **SV.** Varningar! Endast för hemmabruk. Det maximala antalet användare är **23**.



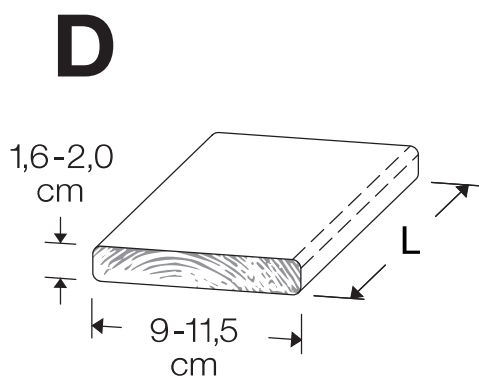
Identifying and inventorying of the individual timber parts
Identifizierung und inventarisieren der der einzelnen Holzteile
Identification et inventorier les pièces en bois individuels



B74	73 cm - 74 cm	1
B220	219 cm - 220 cm	8
B240	239 cm - 240 cm	5
B270	269 cm - 270 cm	4

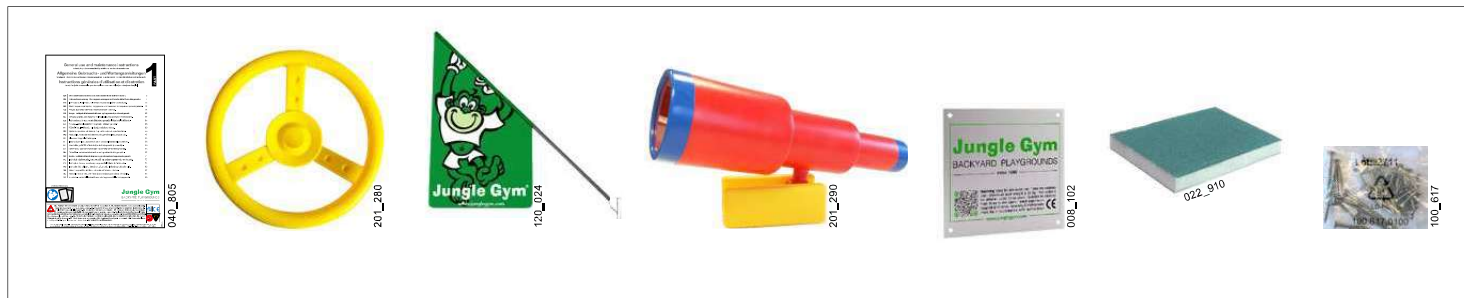


C37	36 cm - 37 cm	5
C62	61 cm - 62 cm	4
C70	69 cm - 70 cm	6
C74	73 cm - 74 cm	10
C84	83 cm - 84 cm	8
C96	85 cm - 96 cm	8
C108	107 cm - 108 cm	2
C114	113 cm - 114 cm	2
C123	122 cm - 123 cm	2
C130	129 cm - 130 cm	4
C141	140 cm - 141 cm	43
C206	205 cm - 206 cm	1



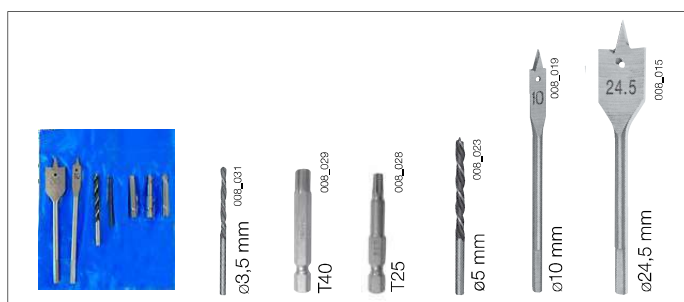
D47	46 cm - 47 cm	41
D65	64 cm - 65 cm	52
D74	73 cm - 74 cm	46
D100	99 cm - 100 cm	2
D123	122 cm - 123 cm	96
D141	140 cm - 141 cm	141
D154	153 cm - 154 cm	29

Overview of the contents of the standard included start package
Übersicht über den Inhalt des standardmäßig enthaltenen Startpakets
Aperçu du contenu du pack de démarrage inclus standard



194_119

Overview of the bit and drill bit references
Übersicht über die Bit- und Bohrer-Referenzen
Aperçu des références des embouts et des forêts



104_107

Overview of all hardware and part references for identification
Übersicht über alle Hardware- und Teile-Referenzen zur Identifizierung
Aperçu de toutes les références de matériel et de pièces pour identification

			#	L
			001_404 001_406 001_411 001_417 001_422	30 mm 45 mm 60 mm 80 mm 137 mm
			001_102	30 mm
			000_101	20 mm
			002_036	16 mm
			002_041	20 mm
			002_042	13 mm
			002_301	40 mm

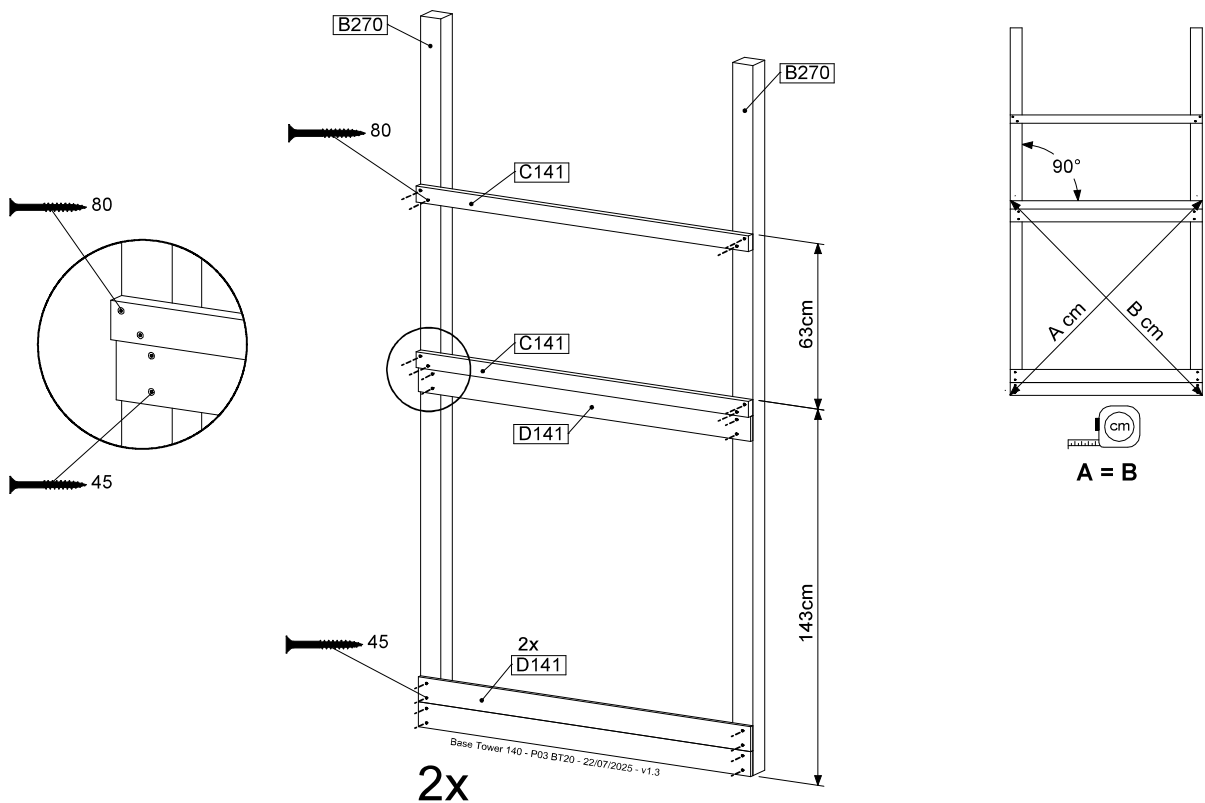
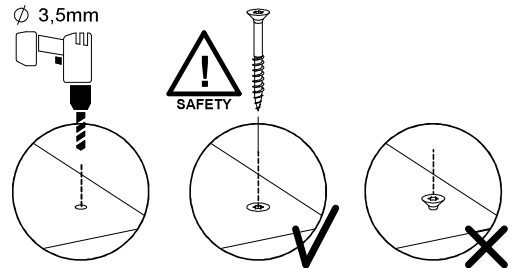
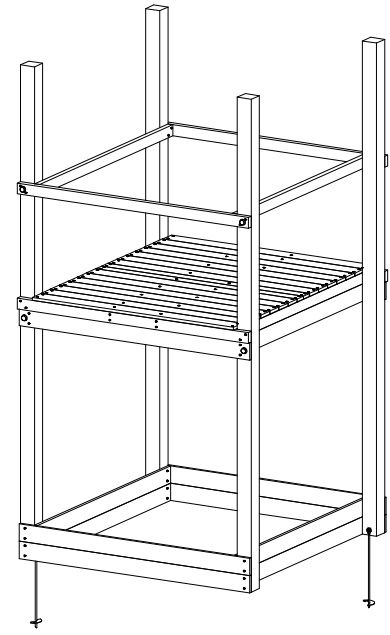
			#	L
			002_308 002_219 002_220 002_223	20 mm 30 mm 45 mm 80 mm
			004_050	22mm
			003_010	
			003_034	
			022_845 022_846 022_847 022_848	Yellow Blue Green Red
			023_031	White
			120_005	White

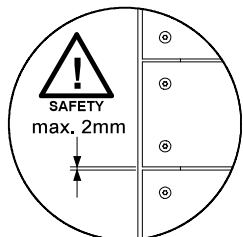
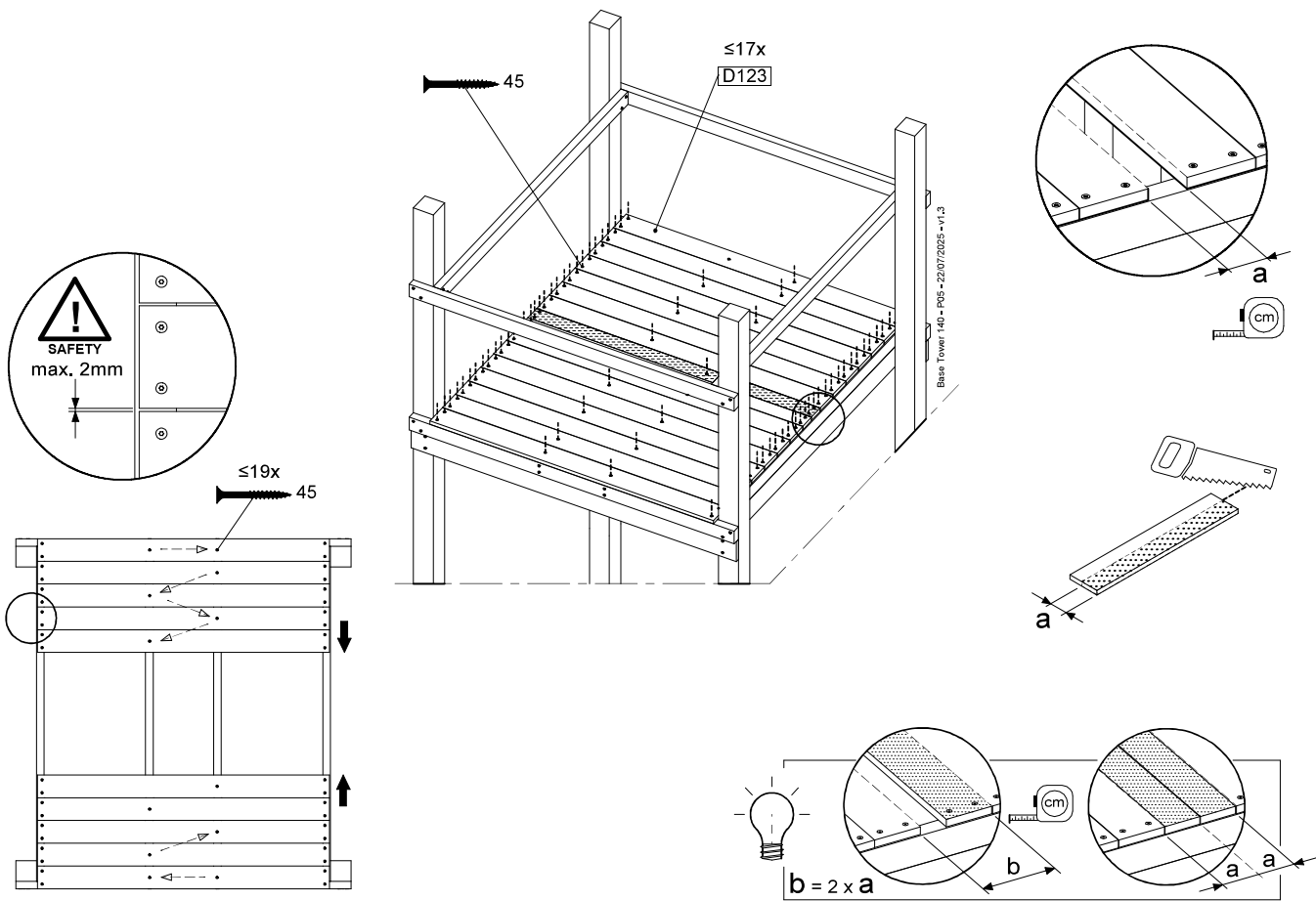
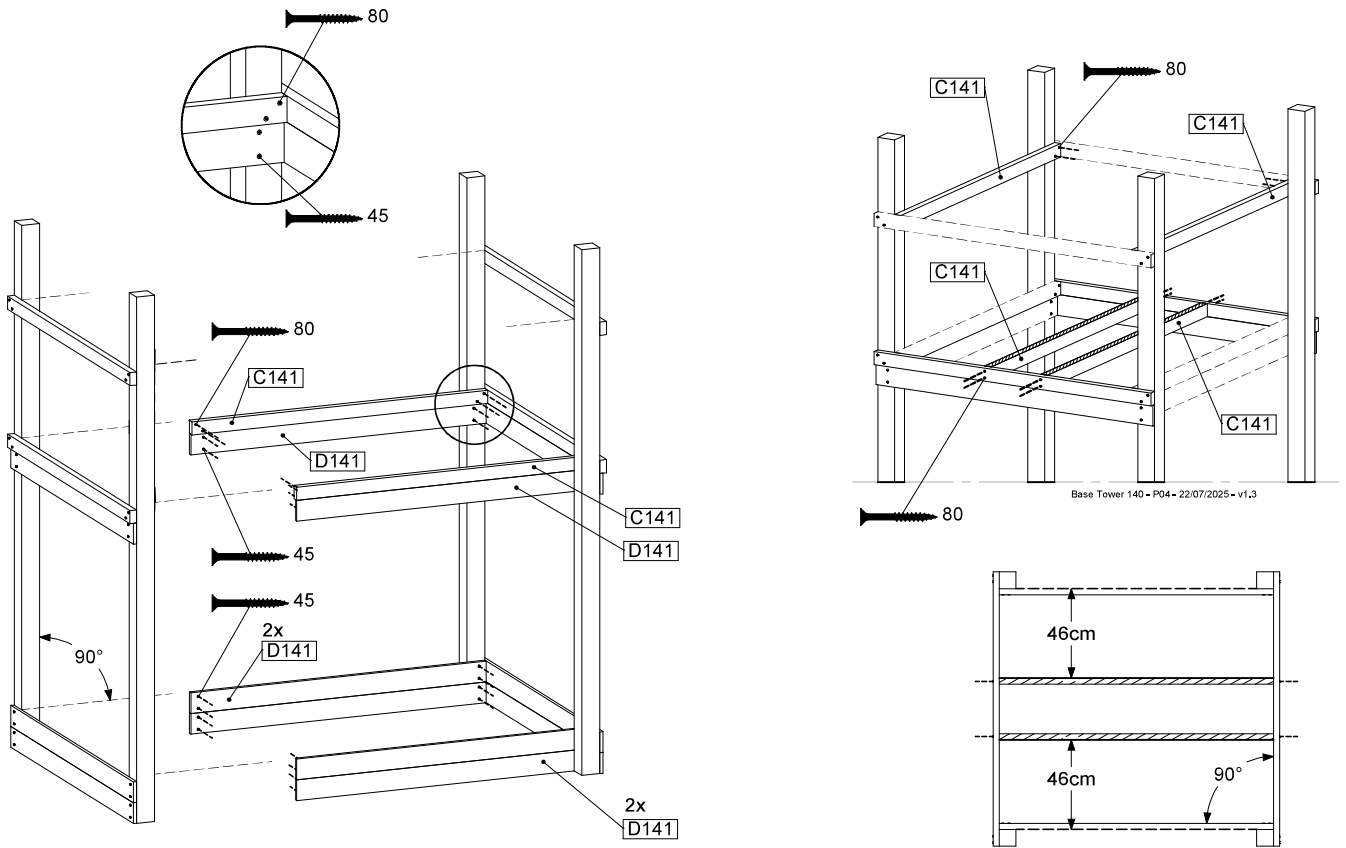
1 BT20a: Base Tower 140 145cm 270270

Assembly Pack: 194_500

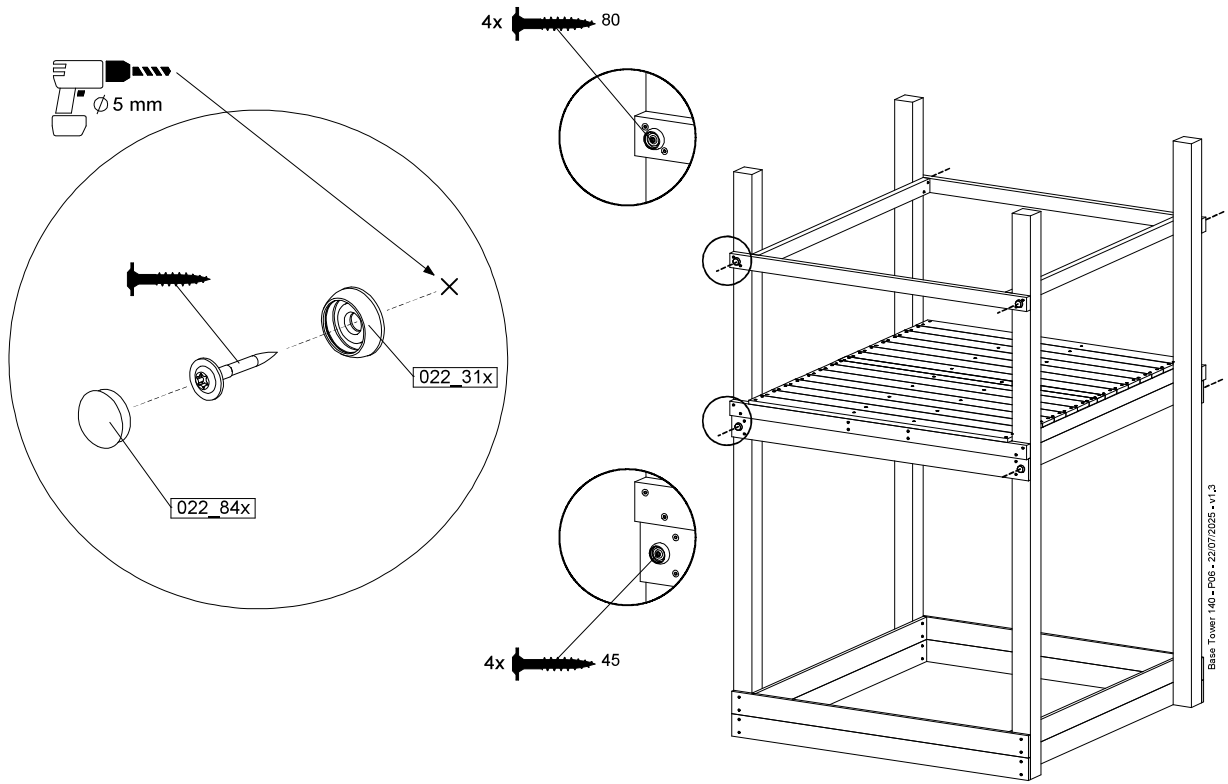
	PartNo	PartName	QTY.
Hardware + Parts	001_406	Stealth Screw 8x45	6
	001_417	Stealth Screw 8x80	4
	002_220	Gap Point Screw T25 - 5x45	135
	002_223	Gap Point Screw T25 - 5x80	40
	007_001	Ground-anchor	2
	022_31x	bpc-base version 3	8
	022_84x	bpc cover	8
Timber	B270	Post ca.90x90 L2700	4
	C141	Beam 1410 mm	10
	D123	Board 1230 mm	17
	D141	Board 1410 mm	12

Base Tower 140 - P02 BT20 - 22/07/2025 - v1.3





1.2

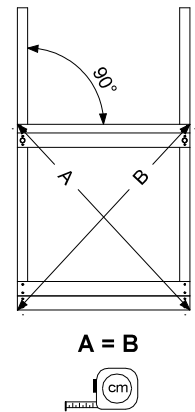
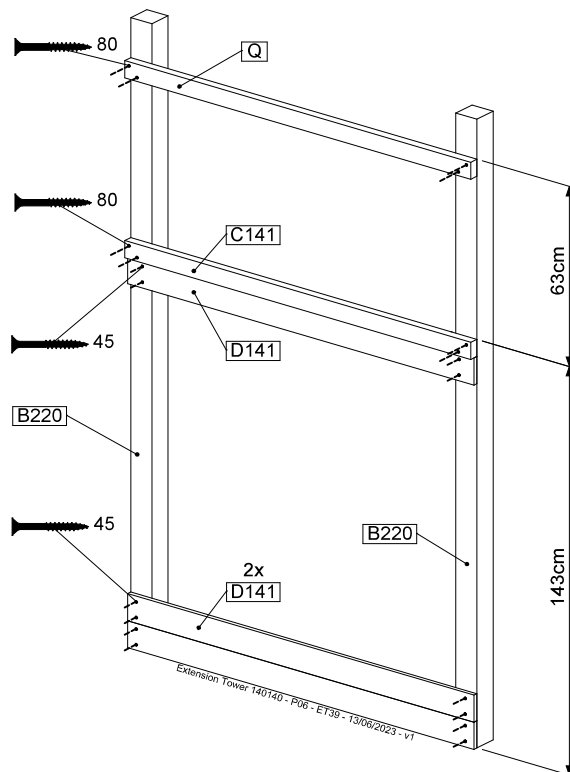
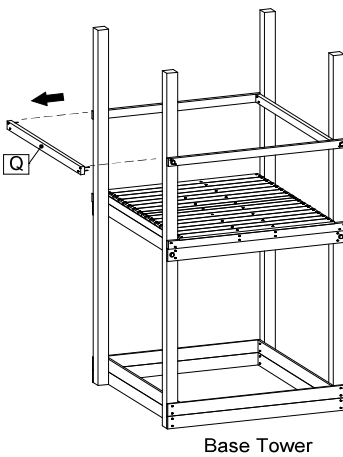
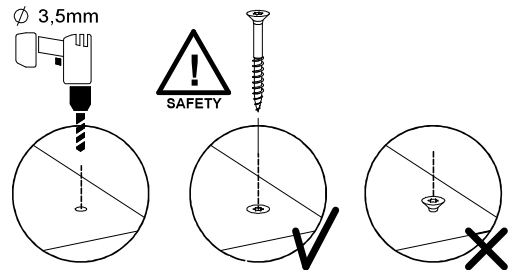
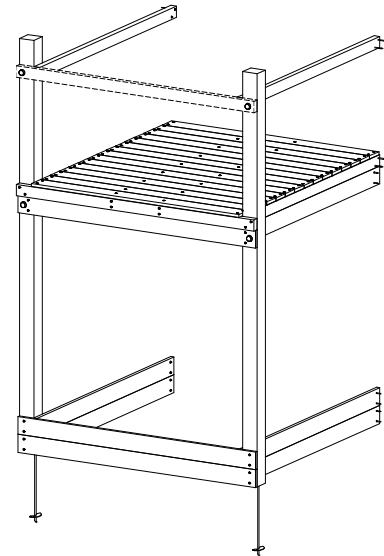


2 ET39a: Extension Tower 14080 220/145

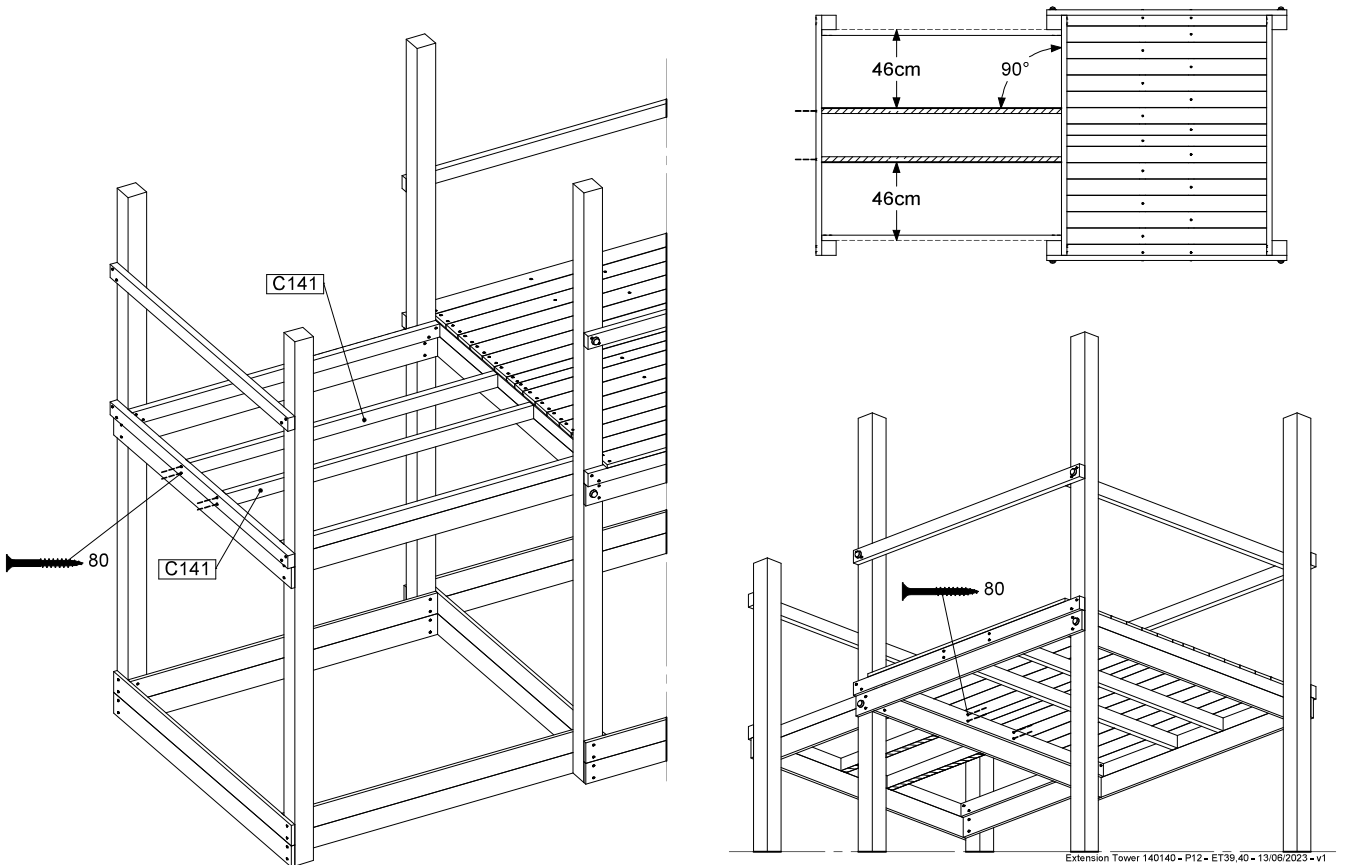
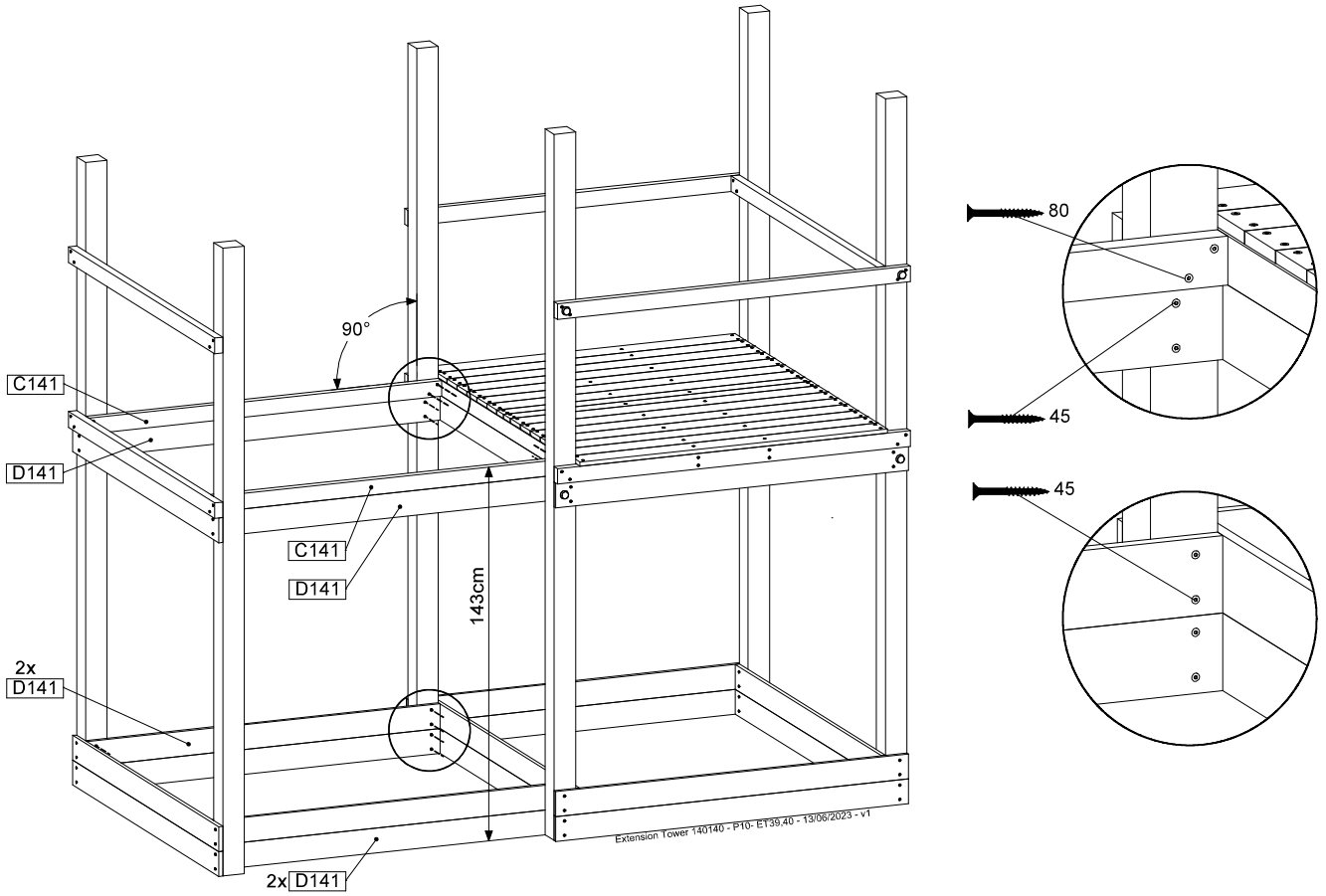
(194_500)

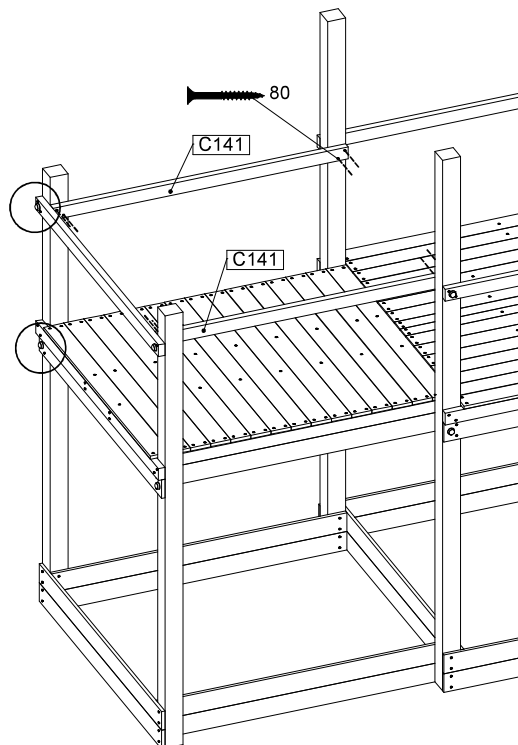
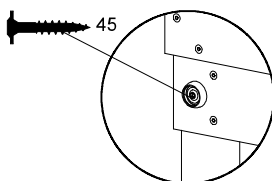
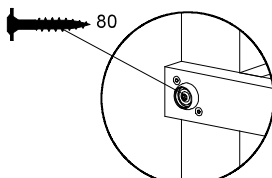
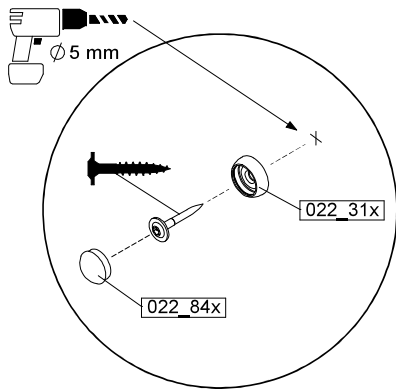
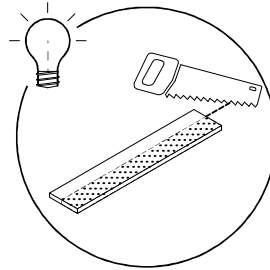
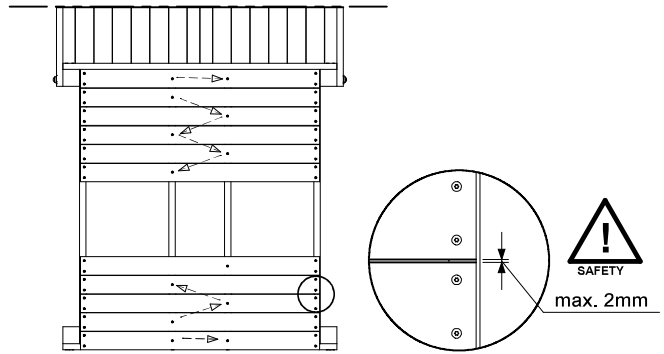
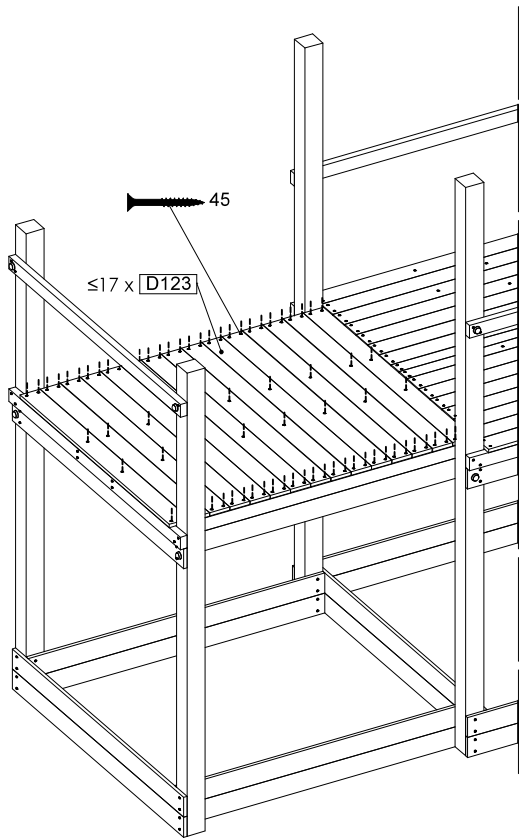
	PartNo	PartName	QTY.
Hardware pack	001_406	Stealth Screw 8x45	4
	001_417	Stealth Screw 8x80	2
	002_220	Gap Point Screw T25 - 5x45	123
	002_223	Gap Point Screw T25 - 5x80	28
Other	007_001	Ground-anchor	2
	022_31x	bpc-base version 3	4
	022_84x	bpc cover	4
Timber	B220	Post 90x90 L2200	2
	C141	Beam 1410 mm	7
	D123	Board 1230 mm	17
	D141	Board 1410 mm	9

Extension Tower 140140 - P02 - ET39a - 13/06/2023 - v1



2.1



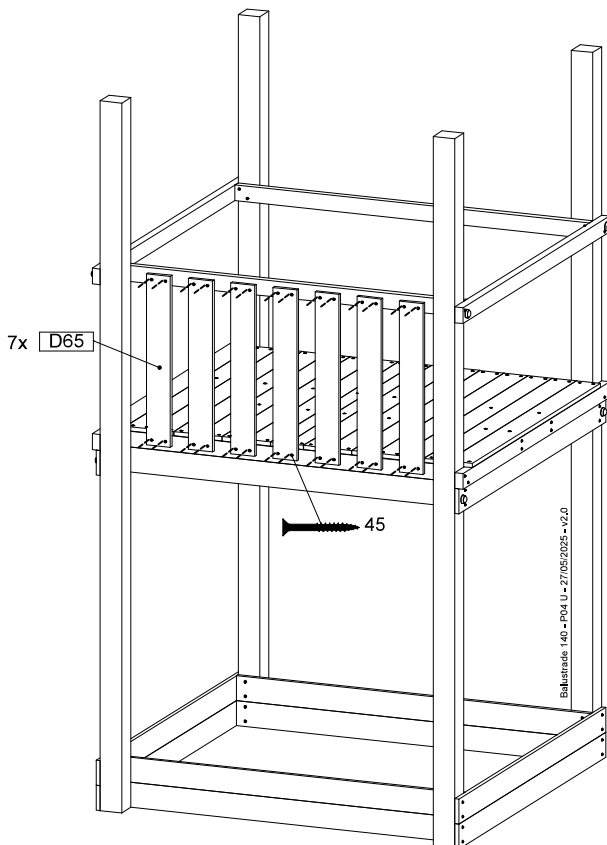
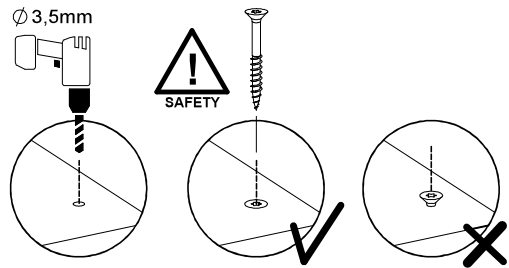
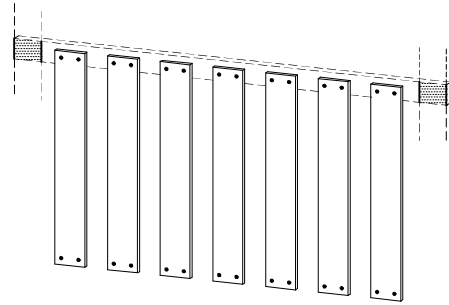


3 BL05a: Balustrade 140 U

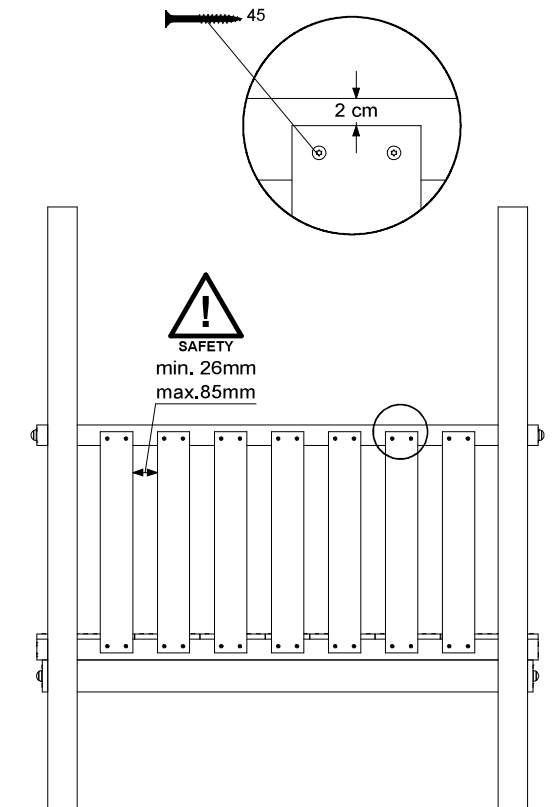
Assembly Pack: 194_501

	PartNo	PartName	QTY.
Hardware	002_220	Gap Point Screw T25 - 5x45	28
Timber	D65	Board 650 mm	7

Balustrade 140 - P102 U - 27/05/2025 - v2.0



Balustrade 140 - P04 U - 27/05/2025 - v2.0

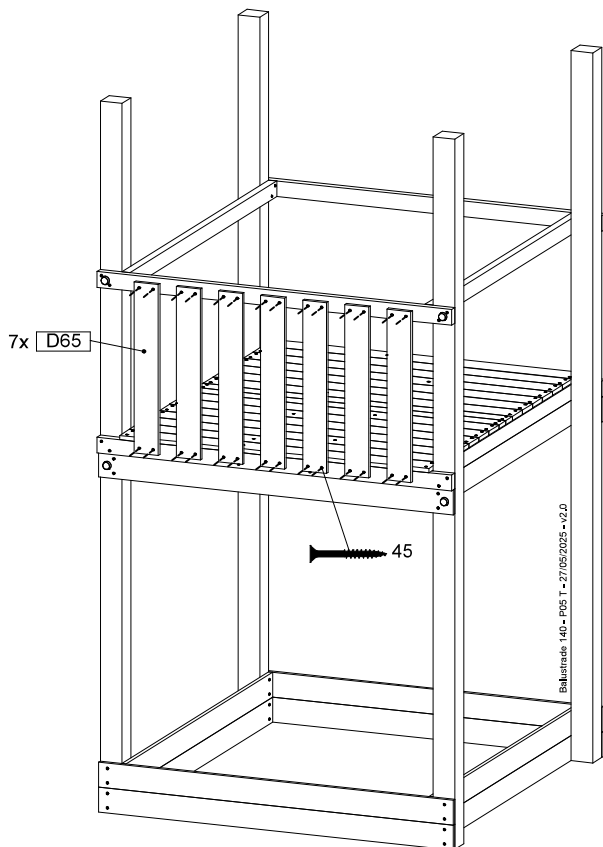
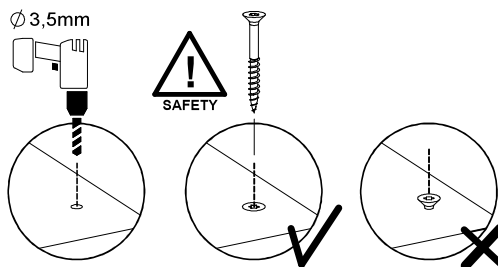
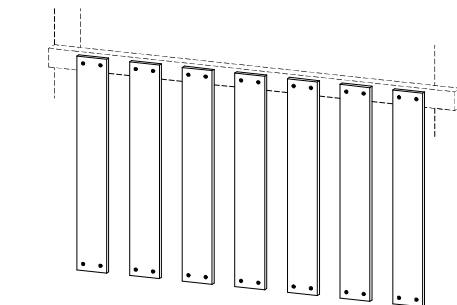


4 BL06a: Balustrade 140 T

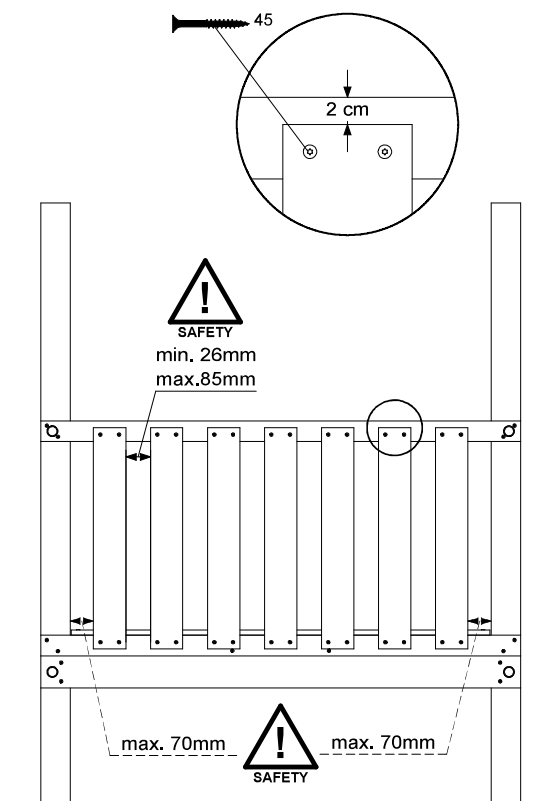
Assembly Pack: 194_501

	PartNo	PartName	QTY.
Hardware	002_220	Gap Point Screw T25 - 5x45	28
Timber	D65	Board 650 mm	7

Balustrade 140 - P03 T - 27/05/2025 - v2.0



Balustrade 140 - P05 T - 27/05/2025 - v2.0



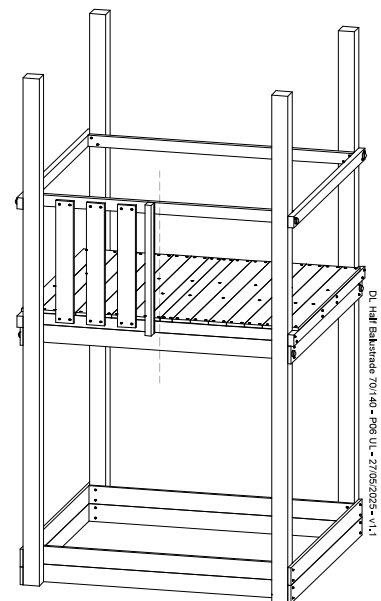
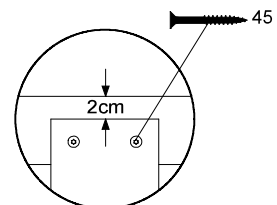
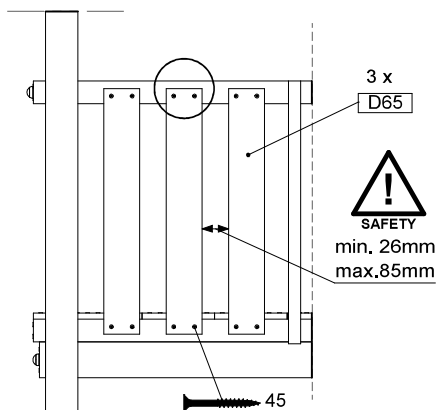
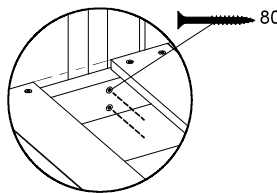
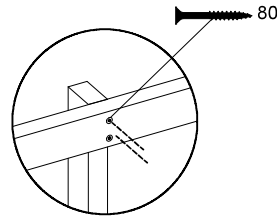
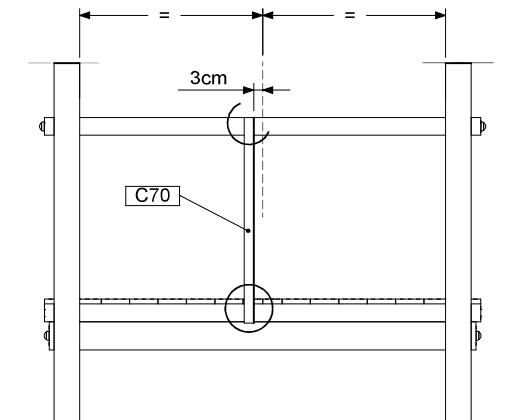
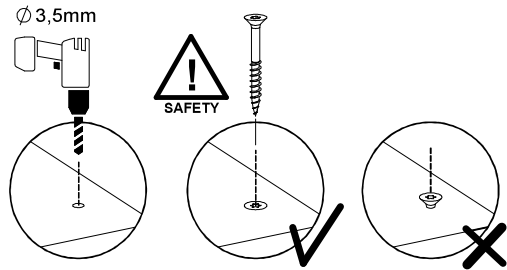
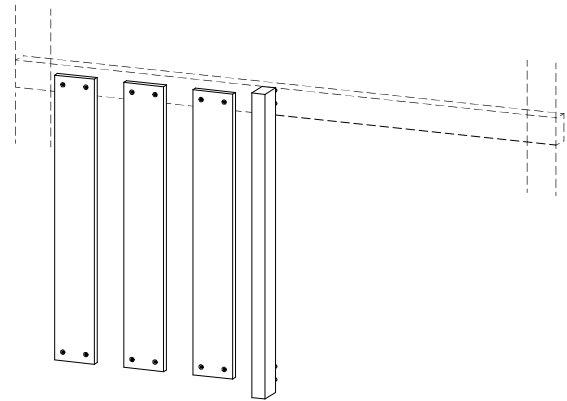
Manual ID: 048_067_2612

5 BL07a: Half Balustrade U Left

Assembly Pack: 194_101

	PartNo	PartName	QTY.
Hardware	002_220	Gap Point Screw T25 - 5x45	12
	002_223	Gap Point Screw T25 - 5x80	4
Timber	C70	Beam 700 mm	1
	D65	Board 650 mm	3

DL Half Balustrade 70140 - P02 UL - 27/05/2025 - v1.1



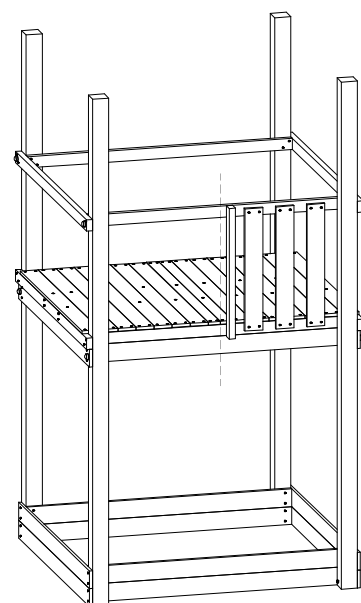
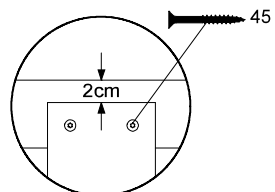
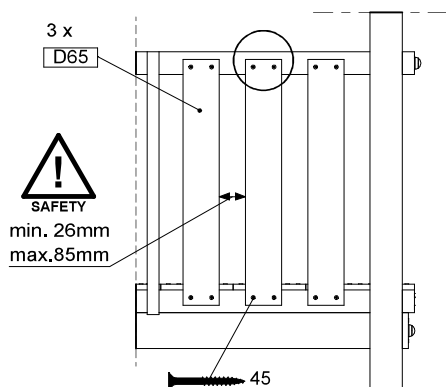
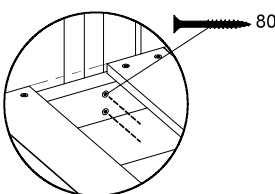
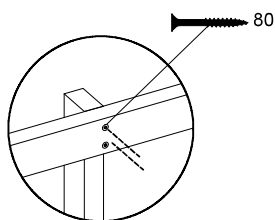
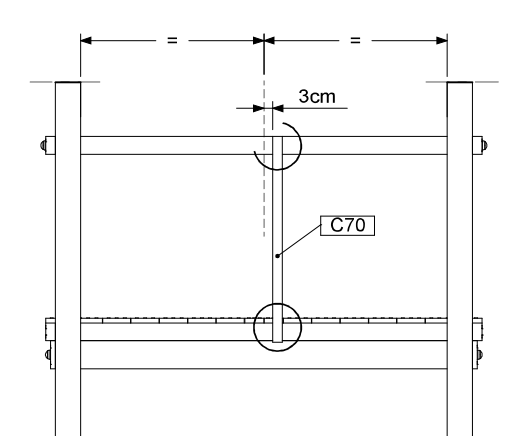
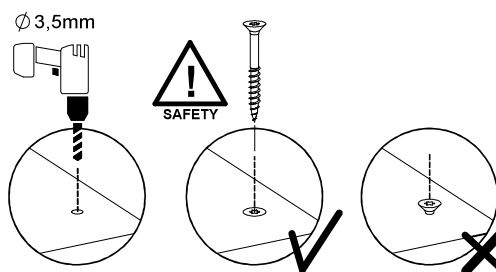
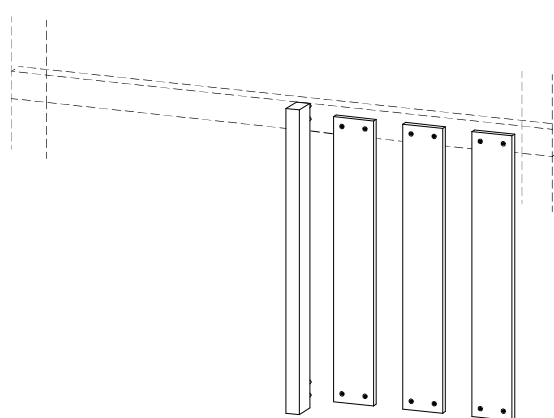
DL Half Balustrade 70140 - P02 UL - 27/05/2025 - v1.1

6 BL08a: Half Balustrade U Right

Assembly Pack: 194_101

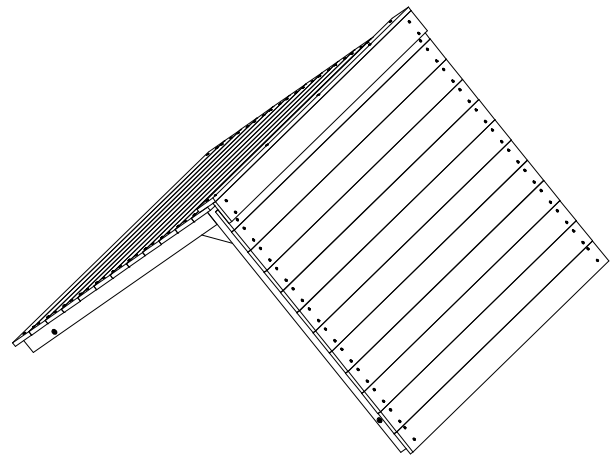
	PartNo	PartName	QTY.
Hardware	002_220	Gap Point Screw T25 - 5x45	12
	002_223	Gap Point Screw T25 - 5x80	4
Timber	C70	Beam 700 mm	1
	D65	Board 650 mm	3

DL Half Balustrade 70140 - P03 UR - 27/05/2025 - v1.1



Manual ID: 048_067_2612

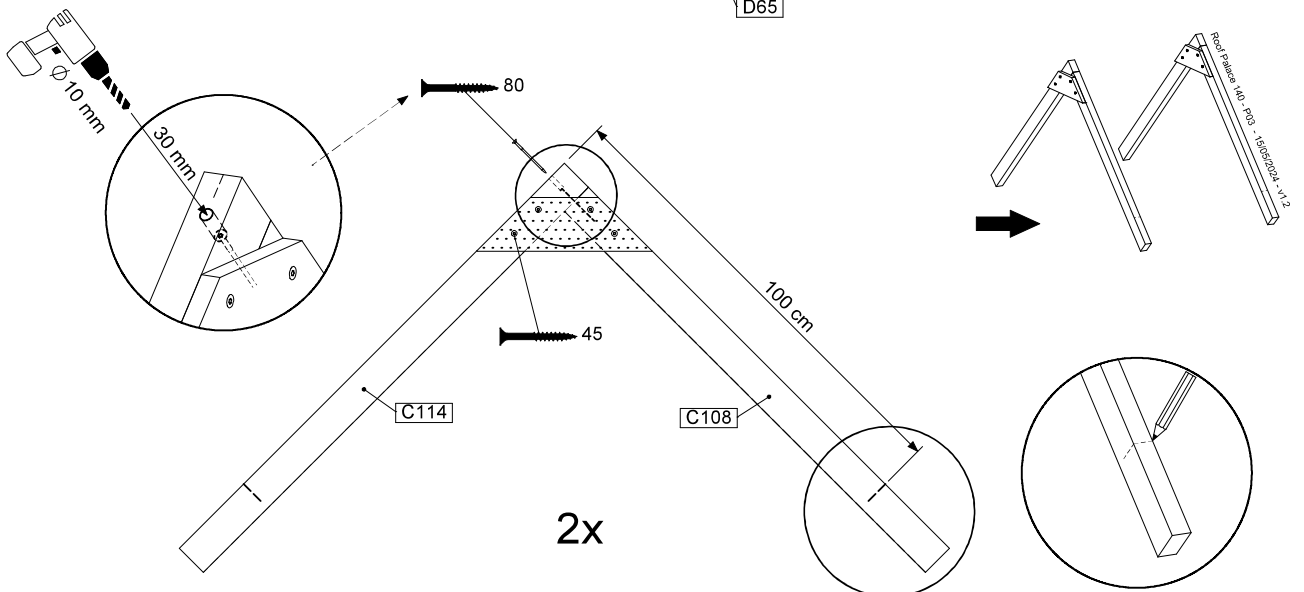
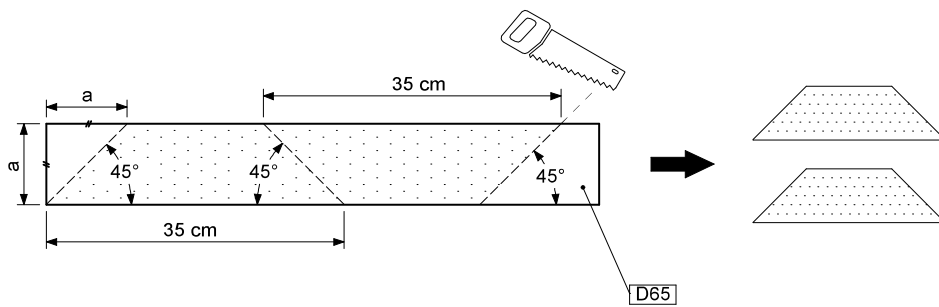
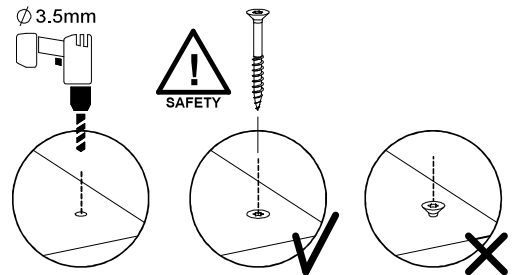
7 RF14b: Roof Timber Gable 140 - 2.0



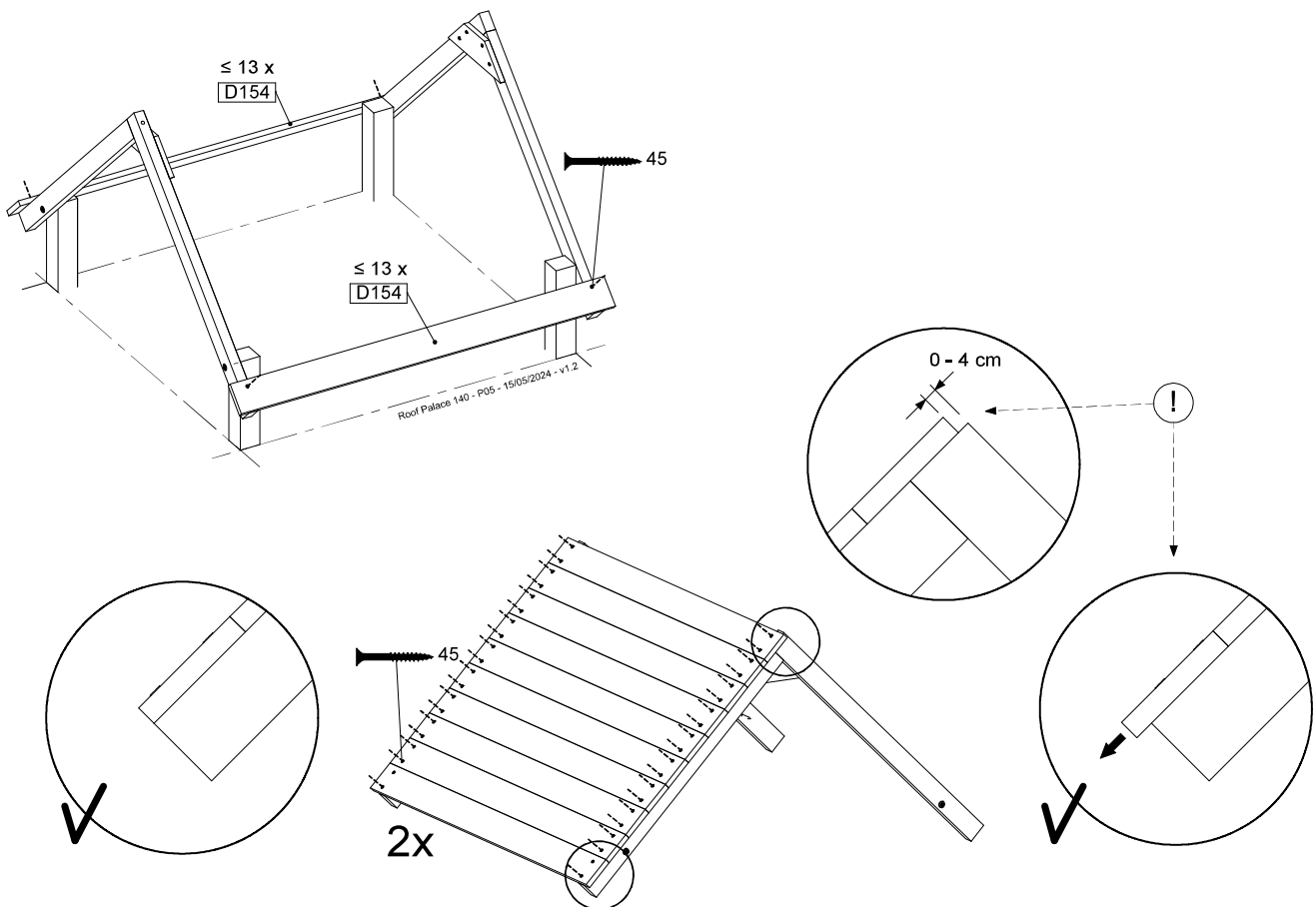
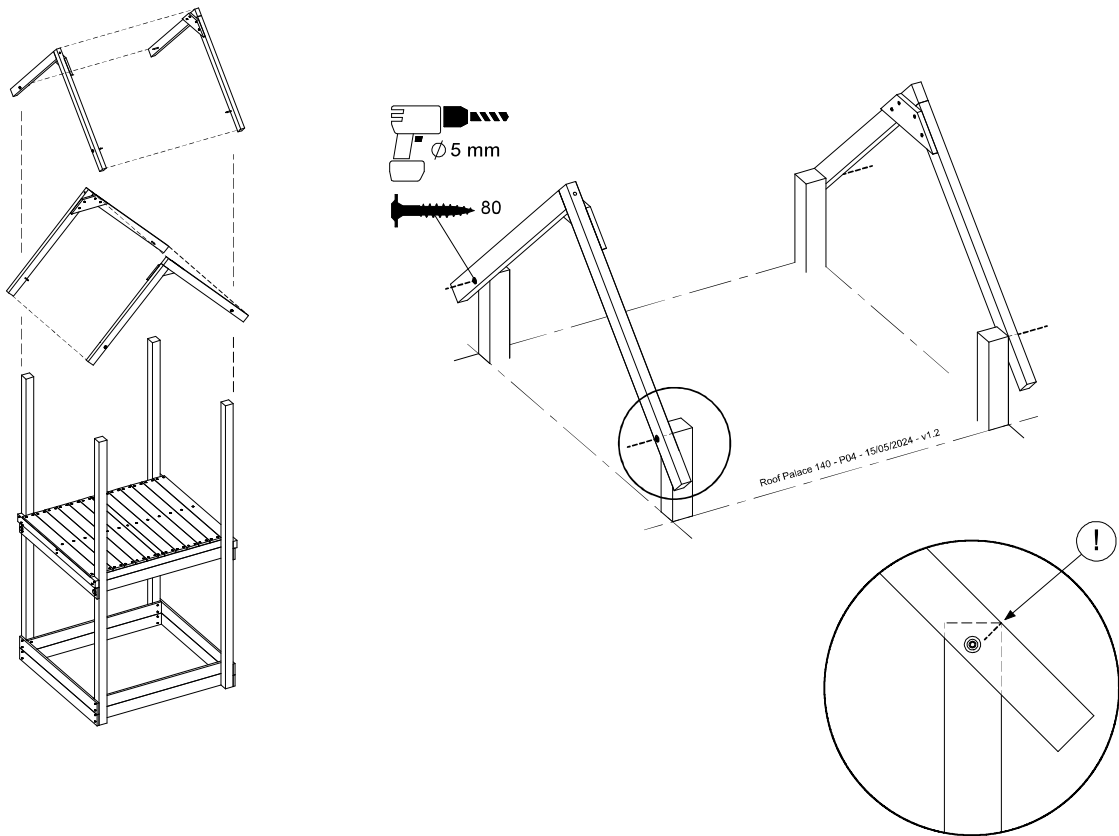
Assembly Pack: 194_508 / 194_804

	PartNo	PartName	QTY.
Hardware + Parts	001_417	Stealth Screw 8x80	4
	002_220	Gap Point Screw T25 - 5x45	120
	002_223	Gap Point Screw T25 - 5x80	4
Timber	C108	Beam 1080 mm	2
	C114	Beam 1140 mm	2
	D65	Board 650 mm	1
	D154	Board 1540 mm	28

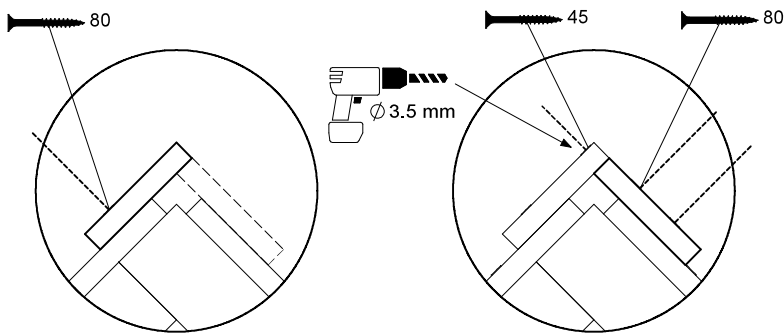
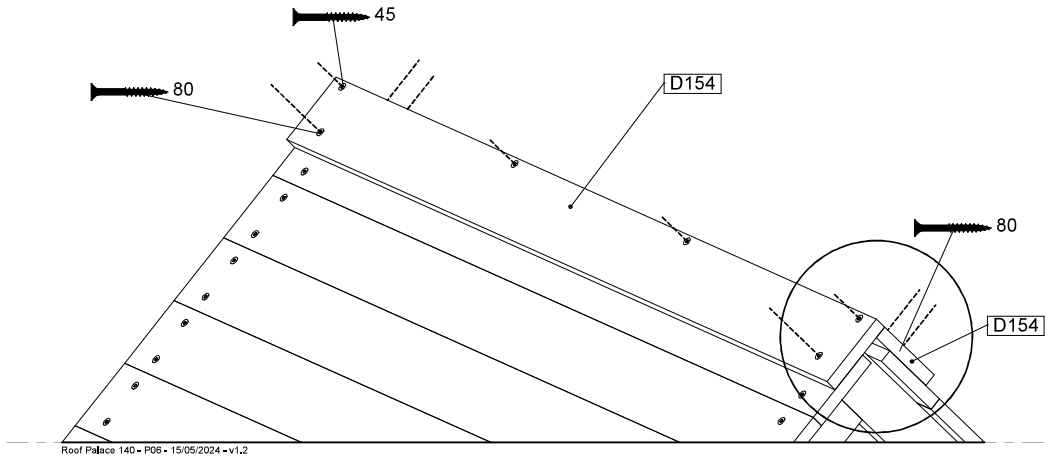
Roof Palace 140 - PDZ - 15052024 - v1.2



7.1



7.2

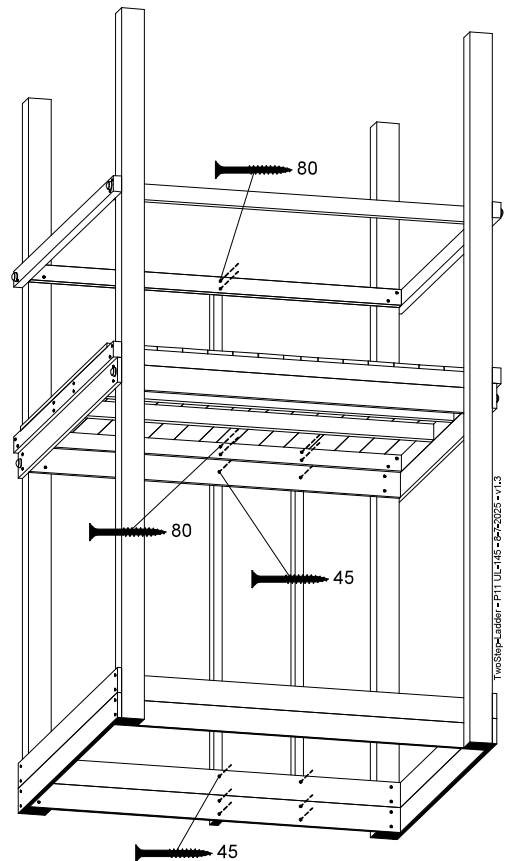
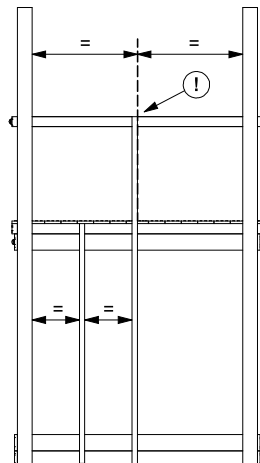
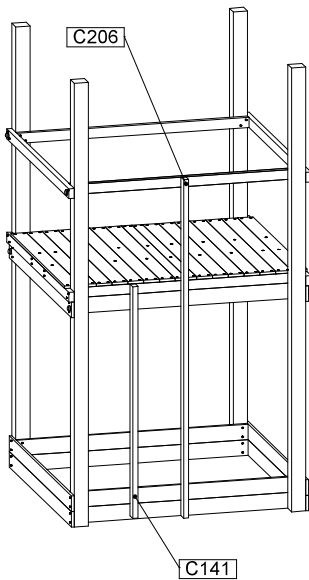
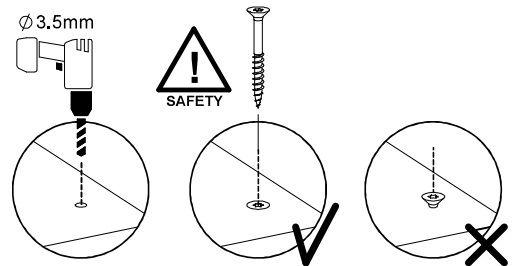
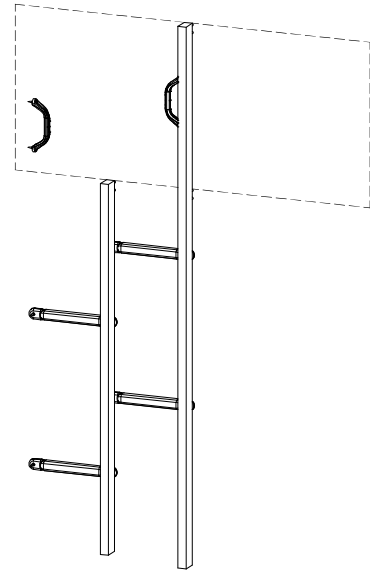


8 TS17a: TwoStep 140 145 U Left

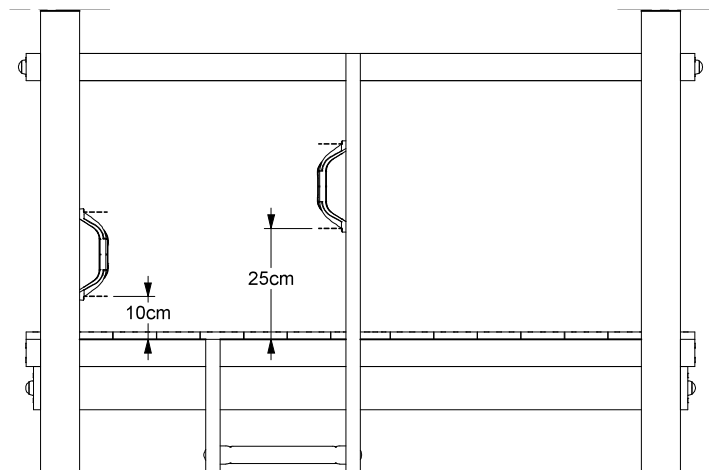
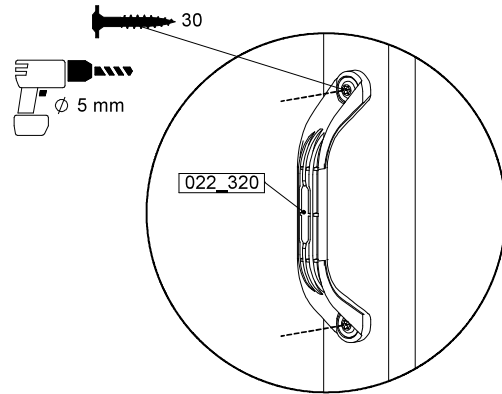
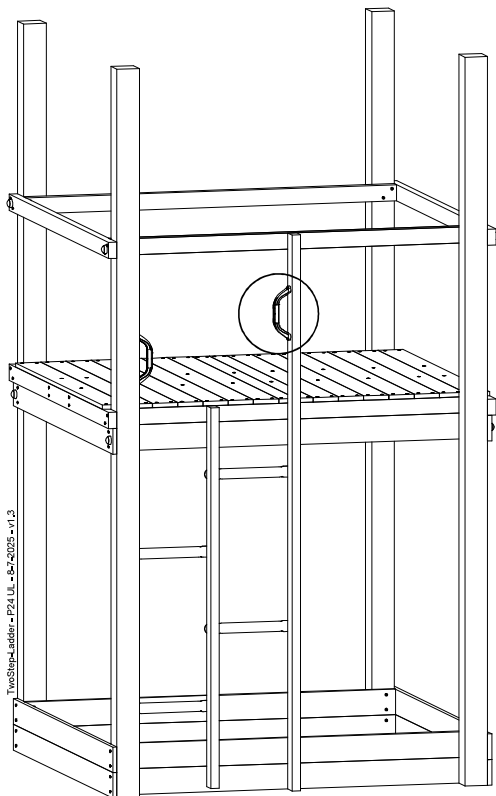
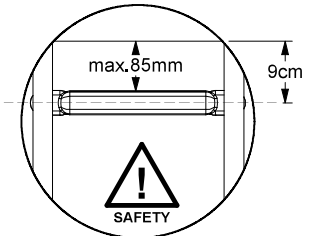
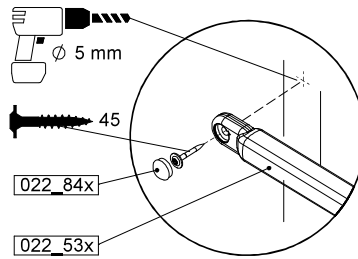
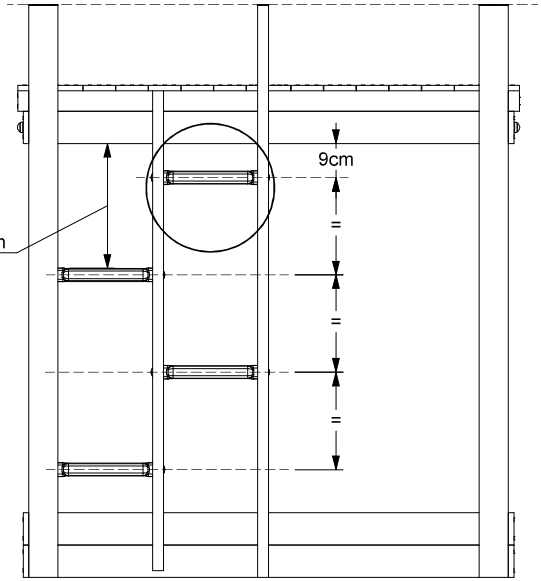
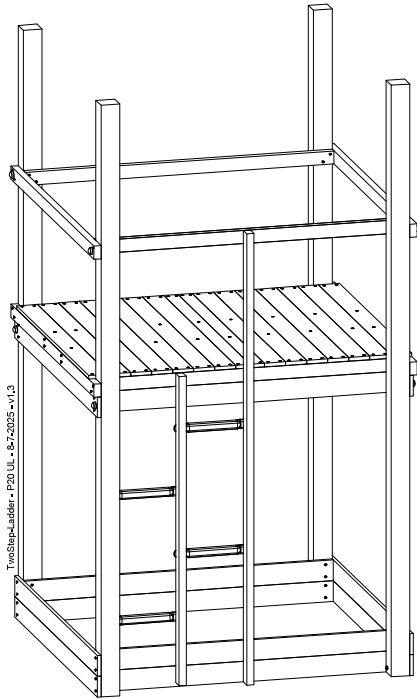
Assembly Pack: 194_002

	PartNo	PartName	QTY.
Hardware + Parts	001_406	Stealth Screw 8x45	8
	002_220	Gap Point Screw T25 - 5x45	8
	002_223	Gap Point Screw T25 - 5x80	6
	022_53x	Ladder/ Rope Rung 30cm	4
	022_84x	bpc cover	8
	120_102	Handgrip set (complete 2x)	1
Timber	C141	Beam 1410 mm	1
	C206	Beam 2060 mm	1

TwoStep-Ladder - P10 | U-C145 - 8x-2025 - v1.3



TwoStep-Ladder - P11 | U-C145 - 8x-2025 - v1.3

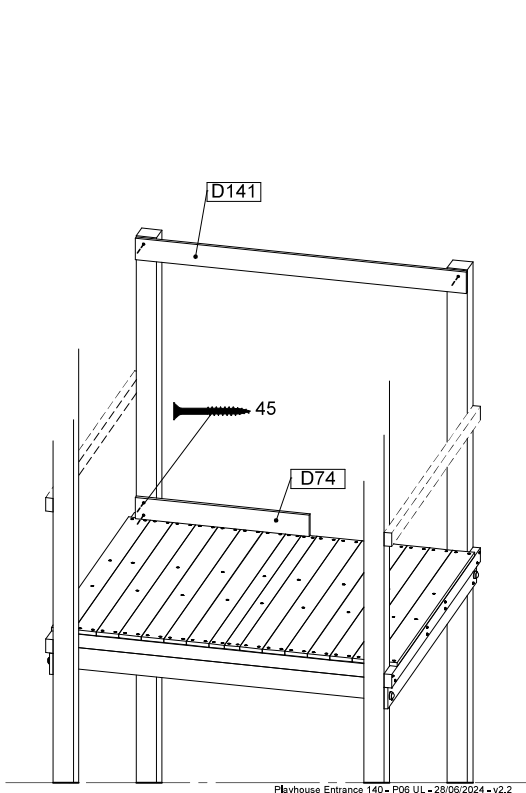
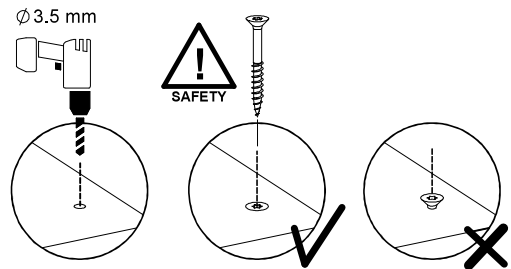
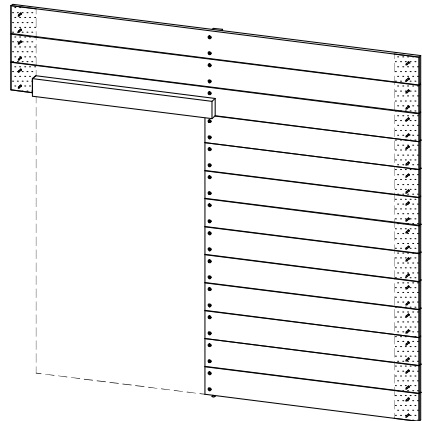


9 PH22a: Playhouse Entrance Panel 140 UL

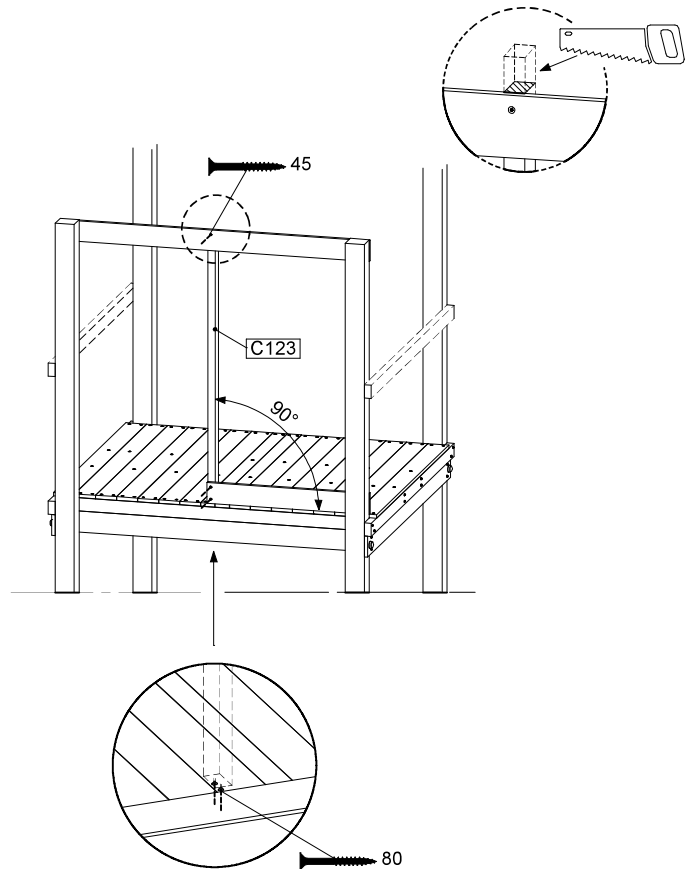
Assembly Pack: 194_809

	PartNo	PartName	QTY.
Hardware + Parts	002_220	Gap Point Screw T25 - 5x45	66
	002_223	Gap Point Screw T25 - 5x80	2
Timber	C62	Beam 620 mm	1
	C123	Beam 1230 mm	1
	D74	Board 740 mm	11
	D141	Board 1410 mm	3

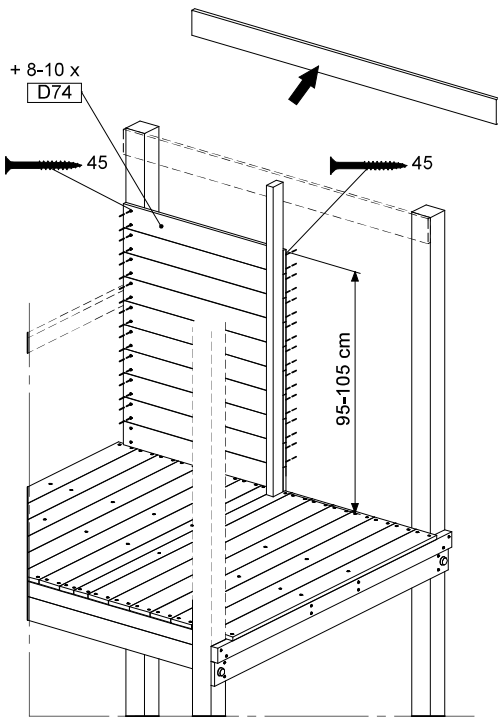
Playhouse Entrance 140 - P02 UL - 28/06/2024 - v2.2



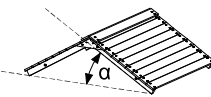
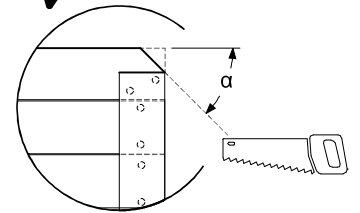
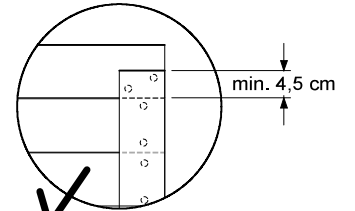
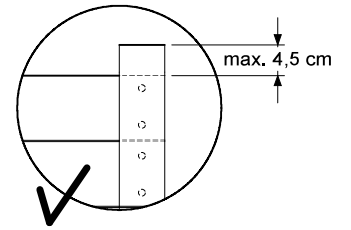
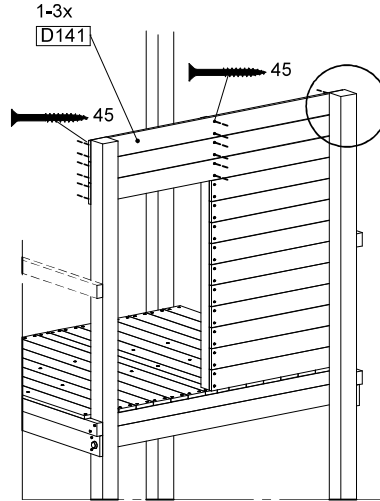
Playhouse Entrance 140 - P06 UL - 28/06/2024 - v2.2



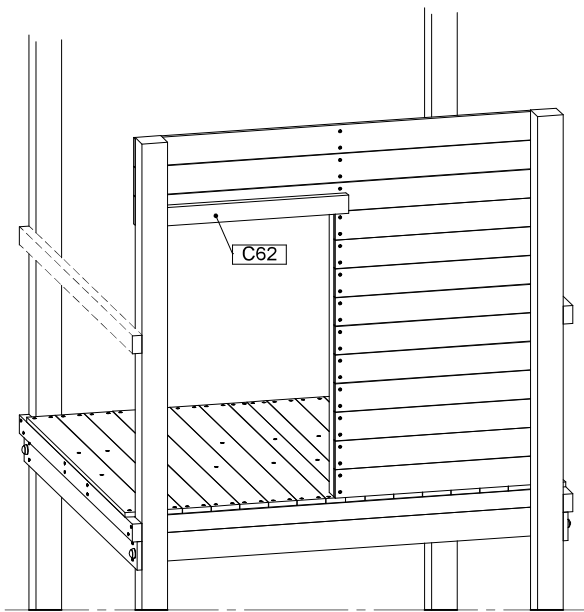
9.1



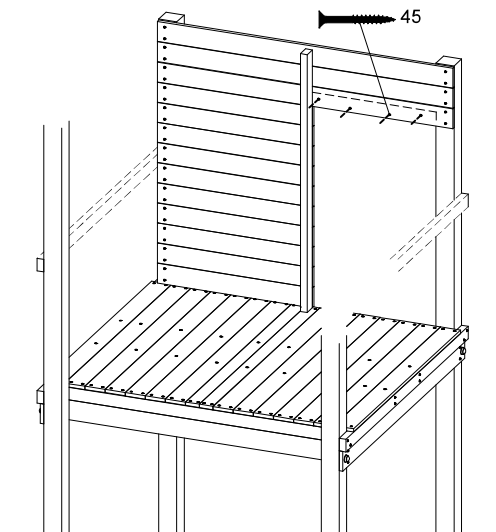
Playhouse Entrance 140 - P10 UL - 28/06/2024 - v2.2



$\alpha=30^\circ / \alpha=45^\circ$



Playhouse Entrance 140 - P14 UL - 28/06/2024 - v2.2

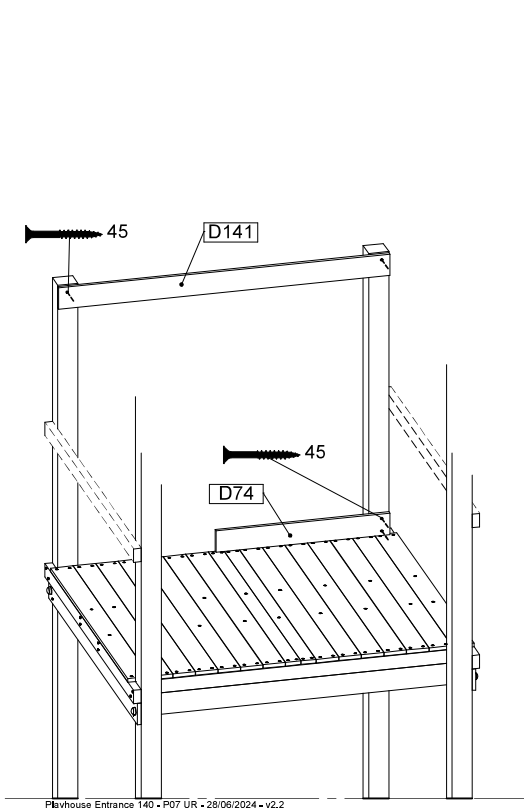
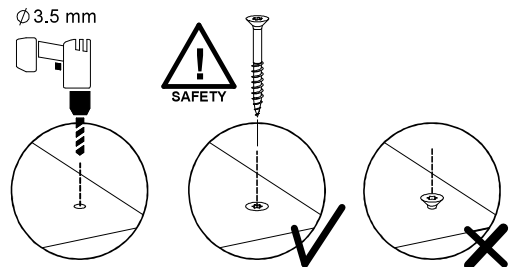
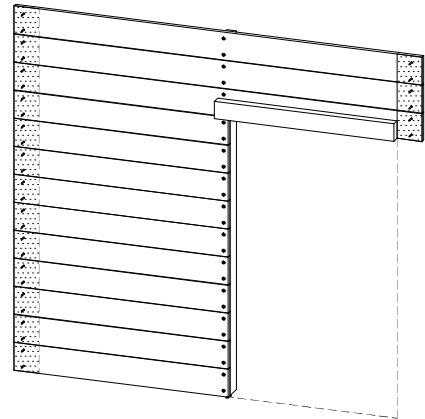


10 PH23a: Playhouse Entrance Panel 140 UR

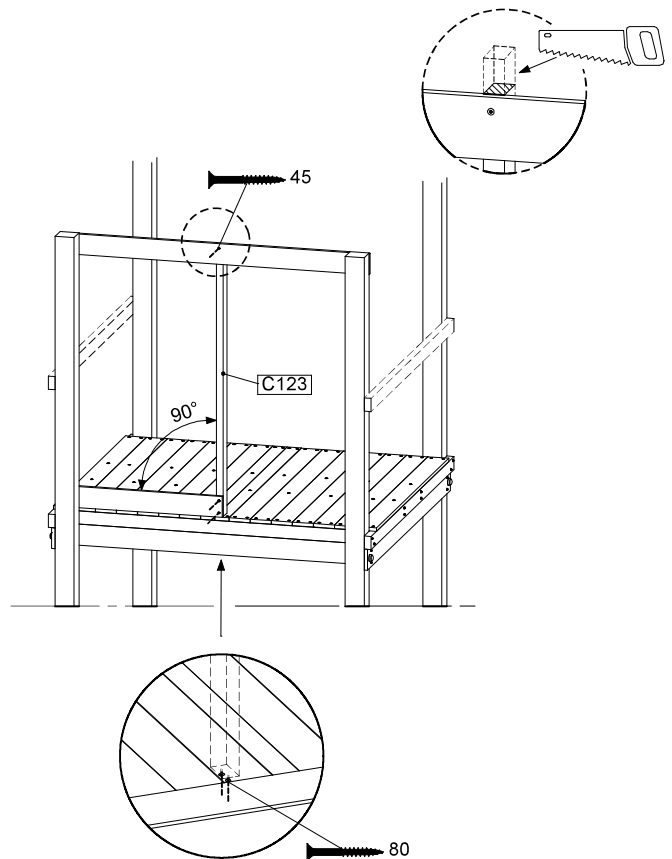
Assembly Pack: 194_809

	PartNo	PartName	QTY.
Hardware + Parts	002_220	Gap Point Screw T25 - 5x45	66
	002_223	Gap Point Screw T25 - 5x80	2
Timber	C62	Beam 620 mm	1
	C123	Beam 1230 mm	1
	D74	Board 740 mm	11
	D141	Board 1410 mm	3

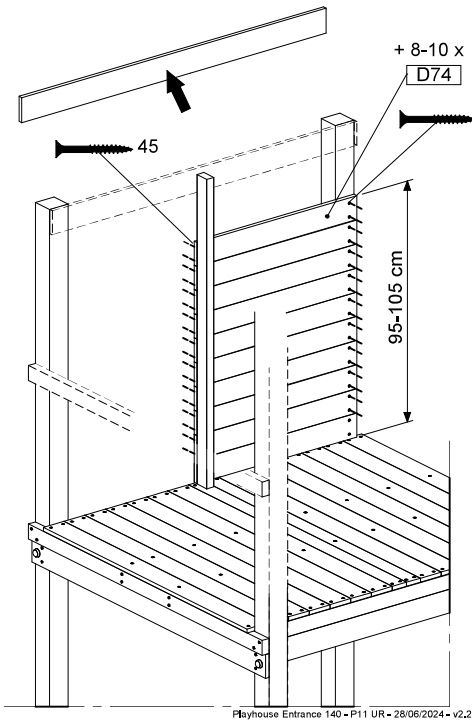
Playhouse Entrance 140 - P03 UR - 28/06/2024 - v2.2



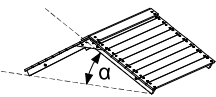
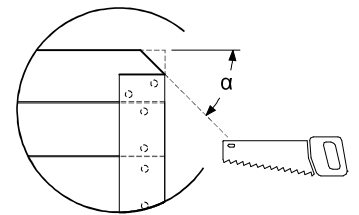
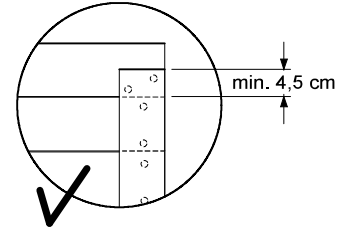
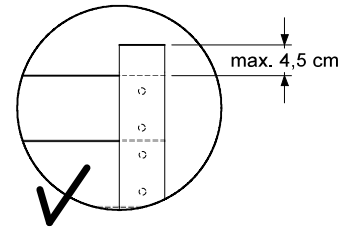
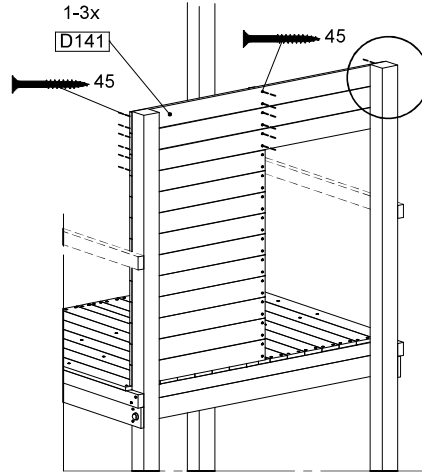
Playhouse Entrance 140 - P07 UR - 28/06/2024 - v2.2



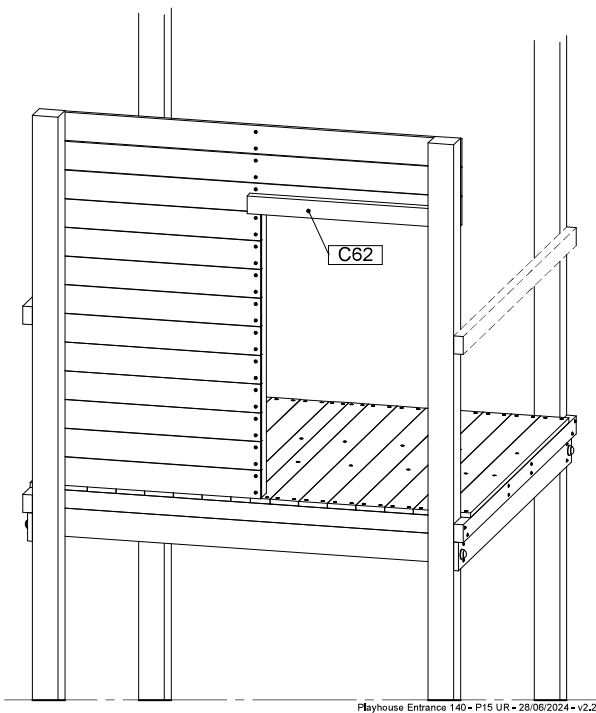
Manual ID: 048_067_2612



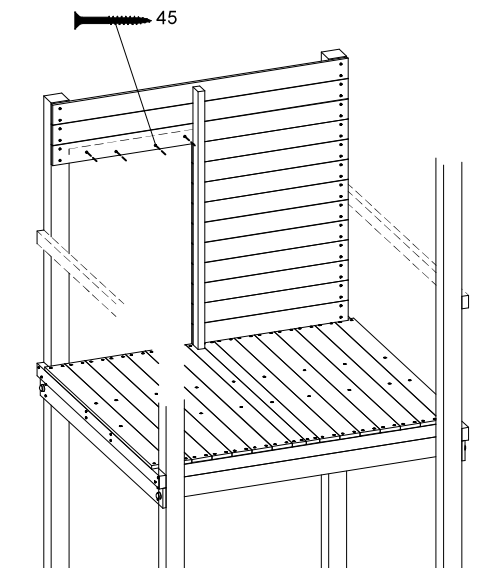
Flyhouse Entrance 140 - P11 UR - 28/06/2024 - v2.2



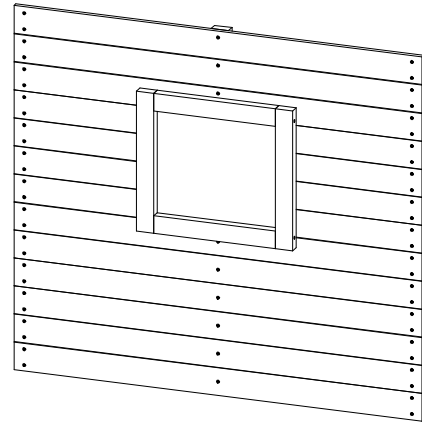
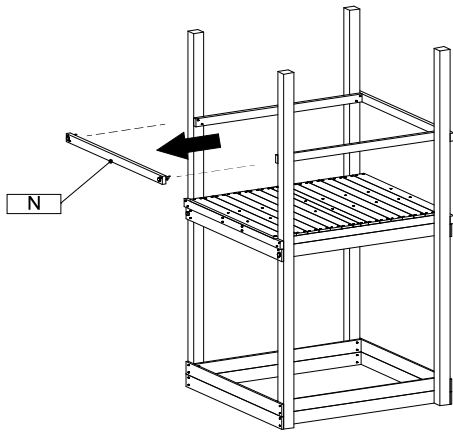
$\alpha=30^\circ / \alpha=45^\circ$



Flyhouse Entrance 140 - P15 UR - 28/06/2024 - v2.2



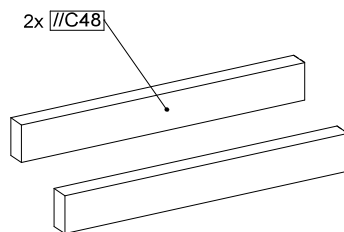
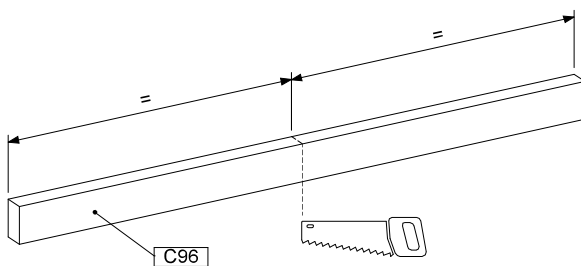
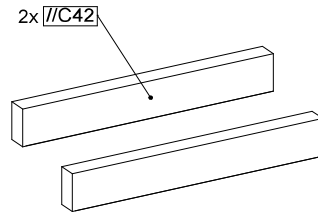
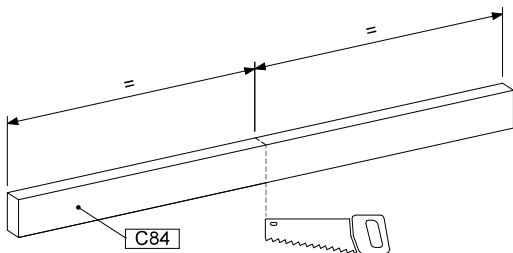
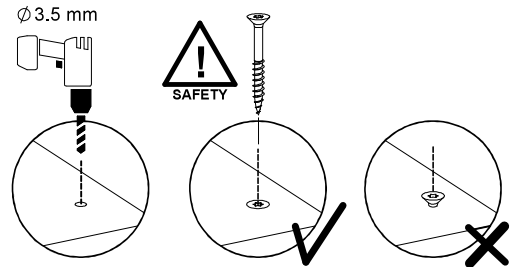
11 PH27c: Playhouse Window Panel 140 T 3.0

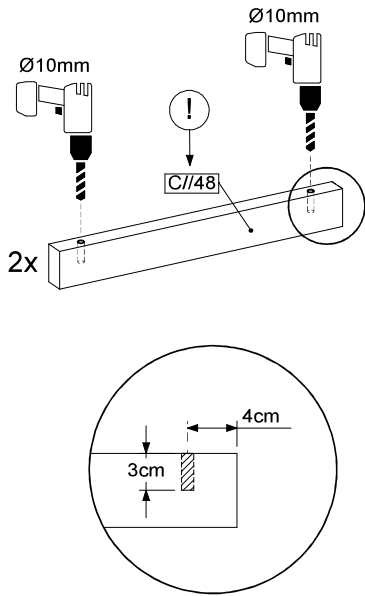


Assembly Pack: 194_118 (PH27a) /194_508 (PH27b) /194_804 (PH27c)

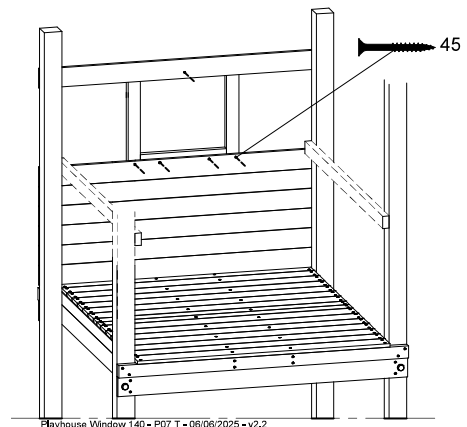
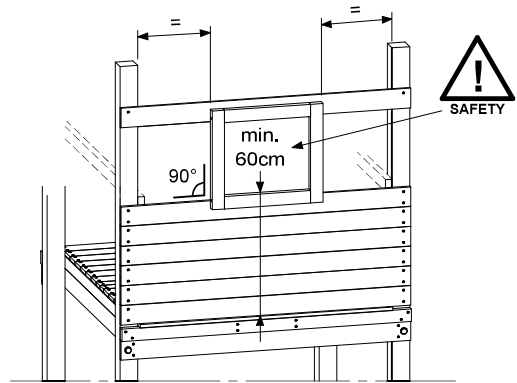
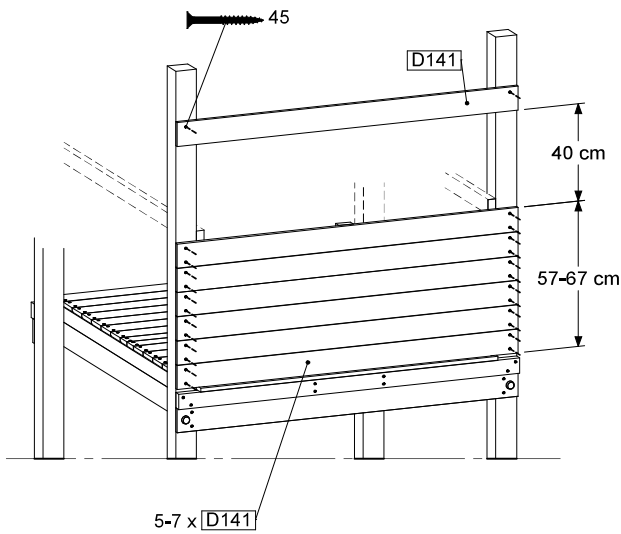
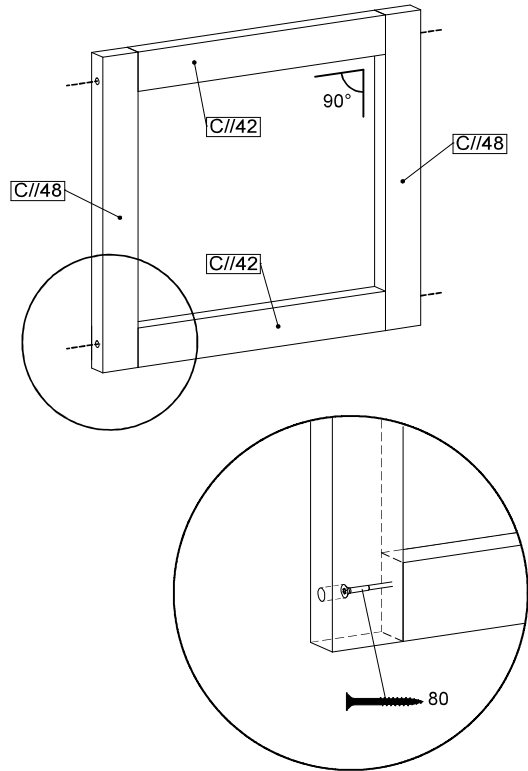
	PartNo	PartName	QTY.
Hardware + Parts	002_220	Gap Point Screw T25 - 5x45	90
	002_223	Gap Point Screw T25 - 5x80	4
Timber	C84	Beam 840 mm	1
	C96	Beam 960 mm	1
	D47	Board 470 mm	8
	D141	Board 1410 mm	10

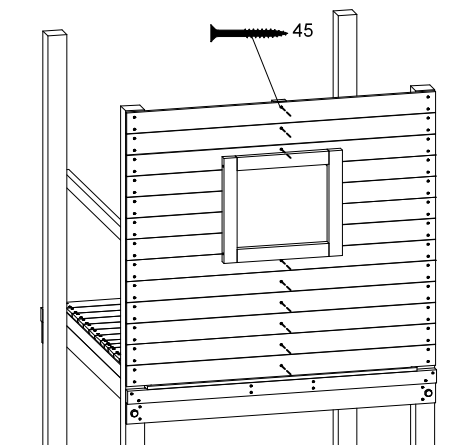
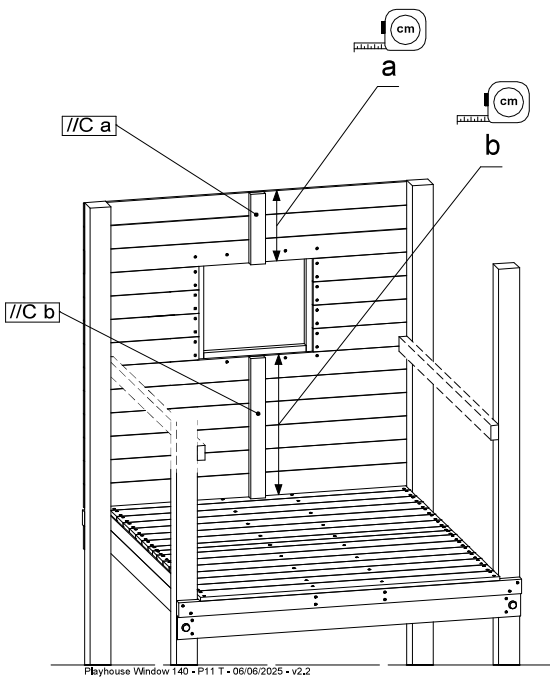
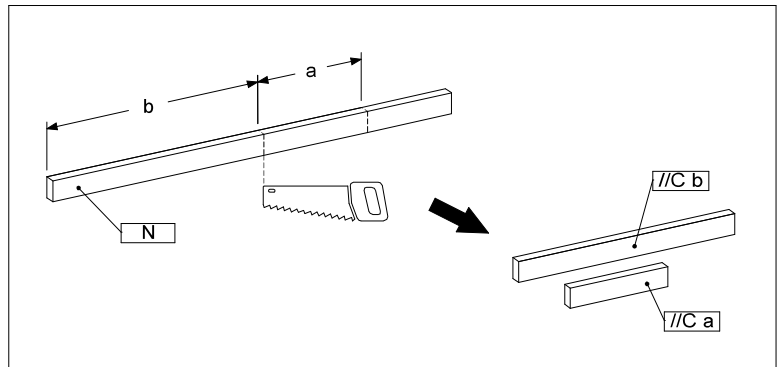
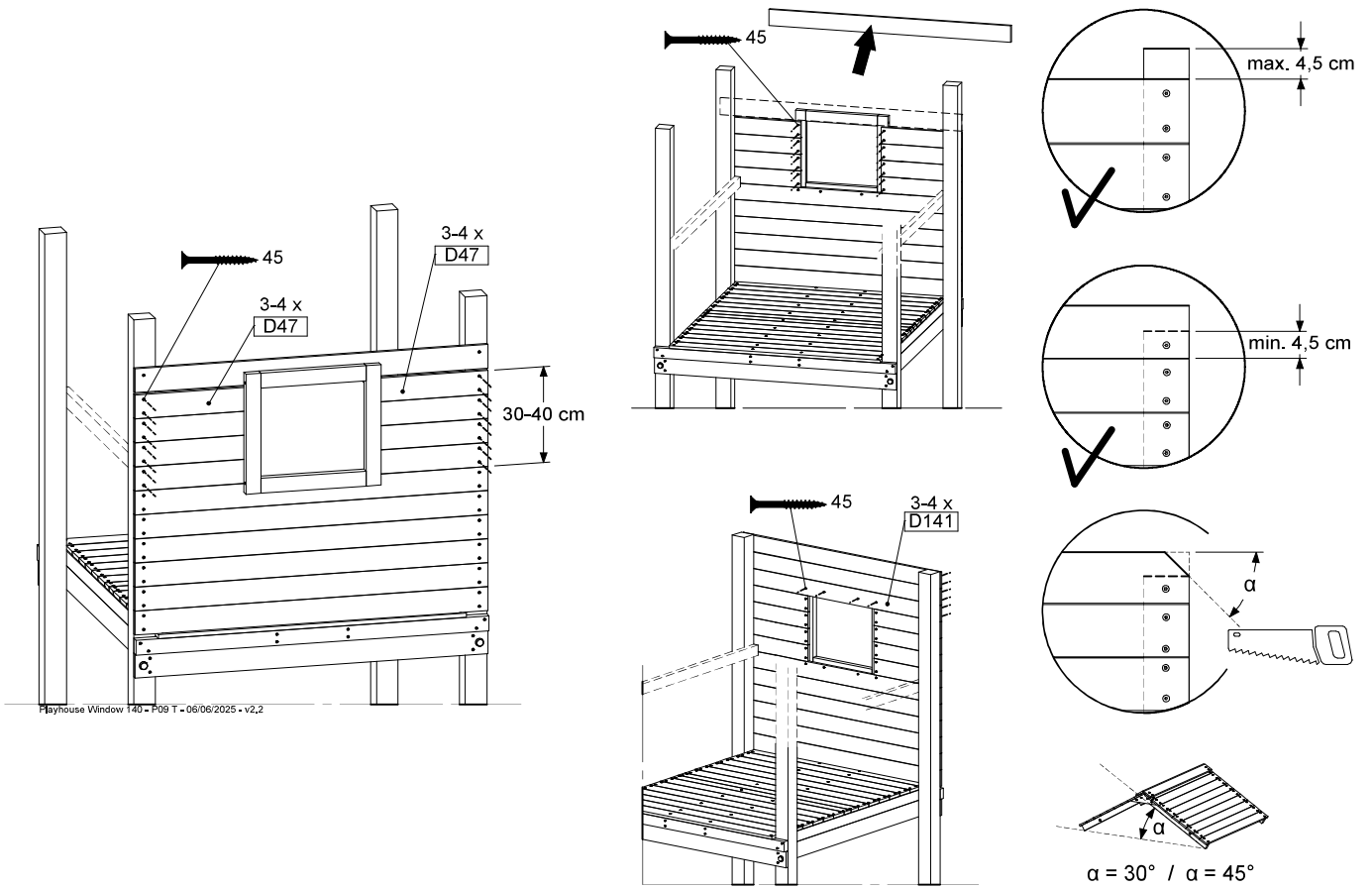
Playhouse Window 140 - P04 uni. - 06/06/2025 - v2.2





Playhouse Window 140 - P06 uni. - 06/06/2025 - v2.2



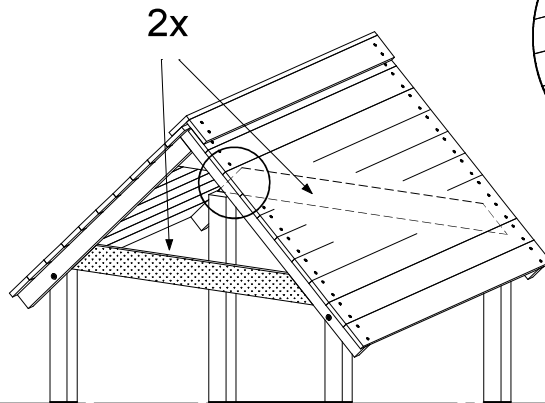
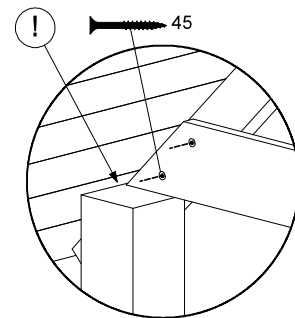
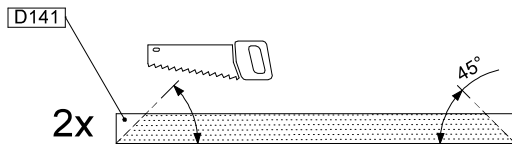
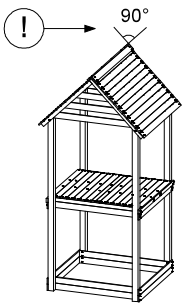
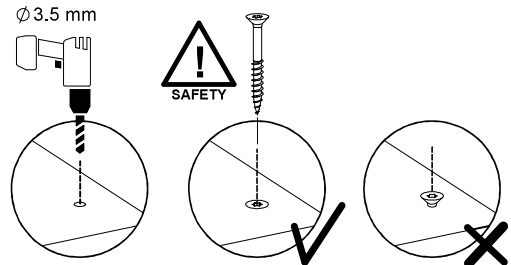
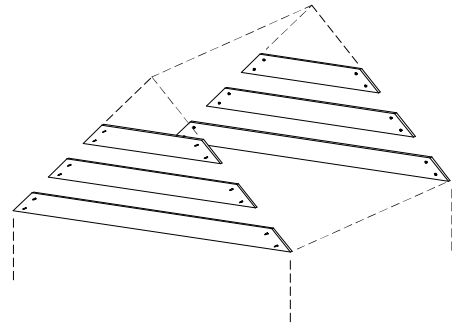


12 PH32a: Playhouse Roof Panels 140 90deg

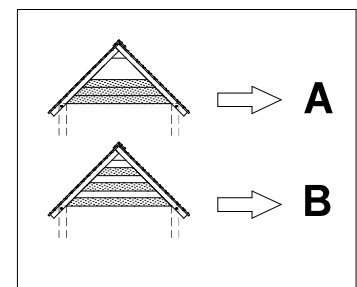
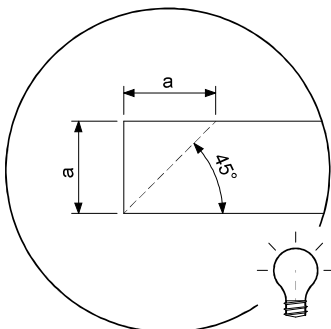
Assembly Pack: 194_501

	PartNo	PartName	QTY.
Hardware	002_220	Gap Point Screw T25 - 5x45	24
Timber	D100	Board 1000 mm	2
	D123	Board 1230 mm	2
	D141	Board 1410 mm	2

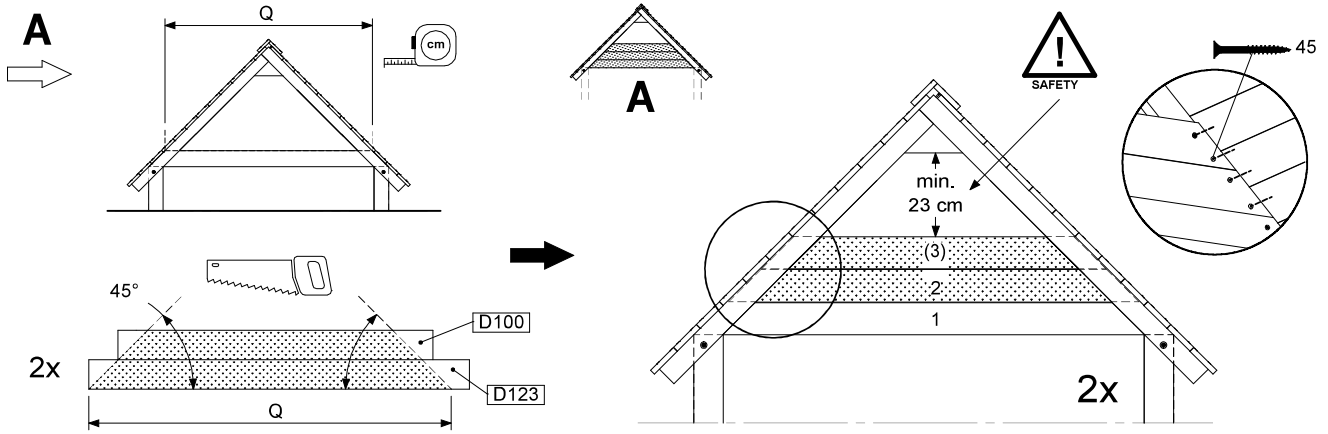
Playhouse Roof Panels - P03 DL90° - 27/05/2025 - v1.2



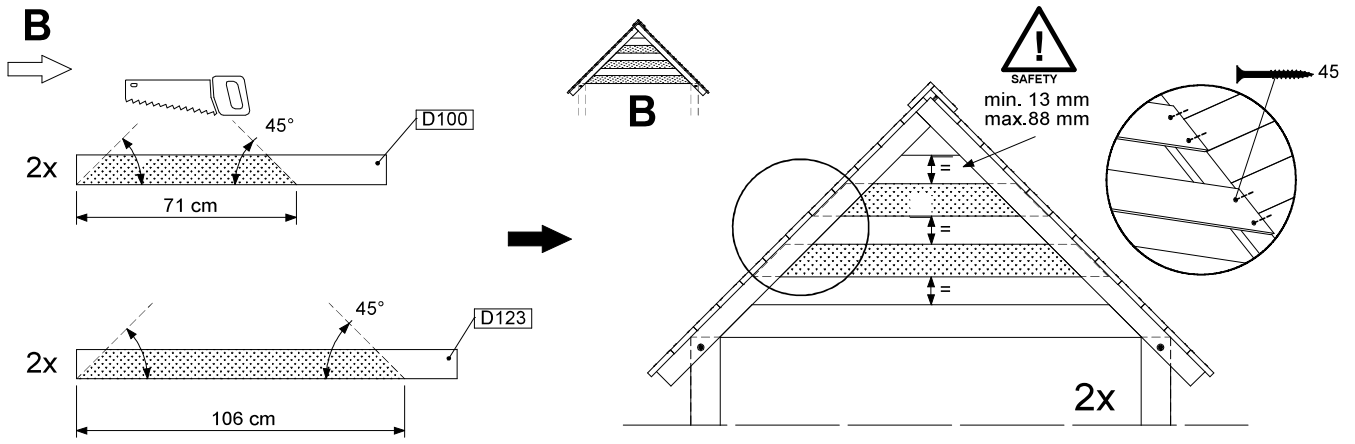
Playhouse Roof Panels - P07 DL90° - 27/05/2025 - v1.2



12.1



Playhouse Roof Panels - P11 DL90° - 27/05/2025 - v1.2

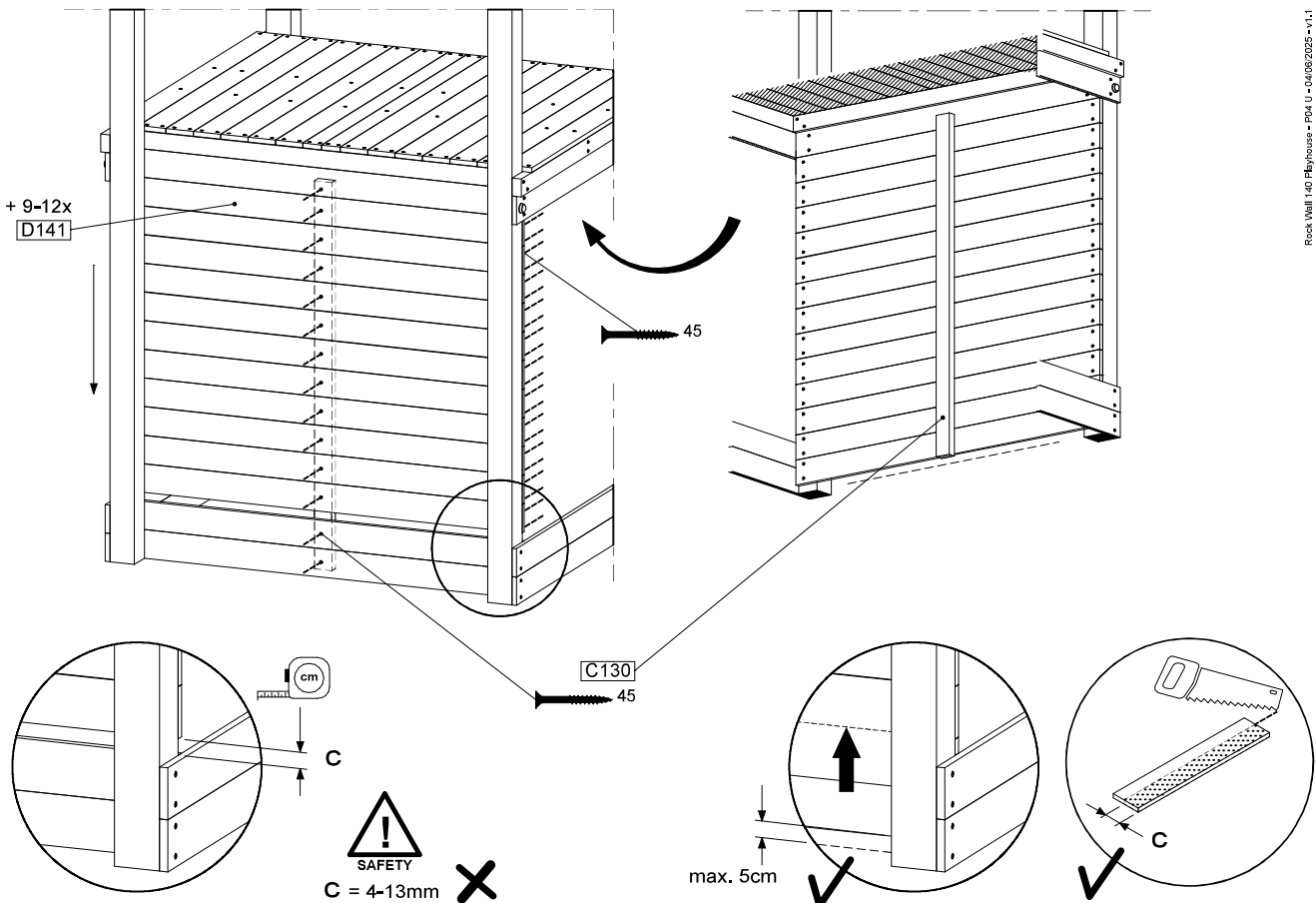
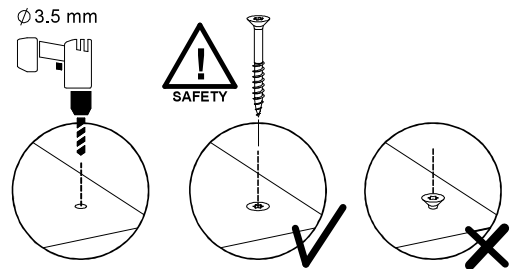
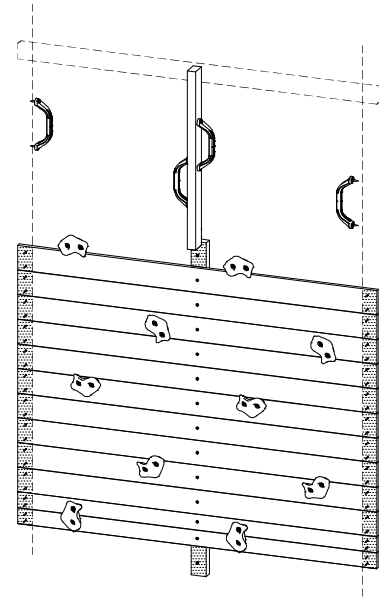


13 RW46a: Rock wall 140 Playhouse U

Assembly Packs: 194_006 (2x)

	PartNo	PartName	QTY.
Hardware + Parts	001_102	Washer Head Screw T40 M8x30	20
	002_220	Gap Point Screw T25 - 5x45	62
	002_223	Gap Point Screw T25 - 5x80	4
	003_010	M8 spring lock washer	20
	004_050	M8 Drive-in Nut 22mm	20
	022_50x	Climbing Rock	10
	120_102	Handgrip set (2x Complete)	2
Timber	C70	Beam 700 mm	1
	C130	Beam 1300 mm	1
	D141	Board 1410 mm	12

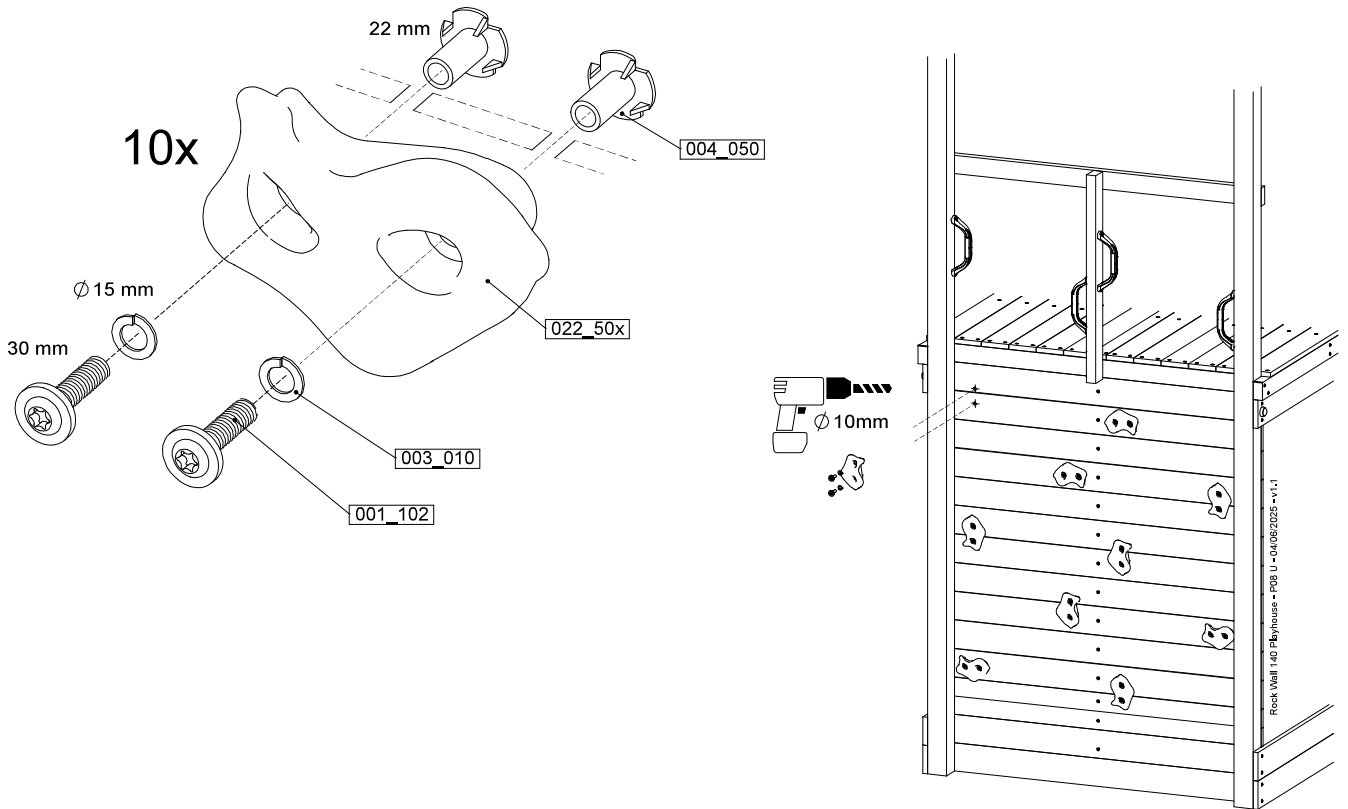
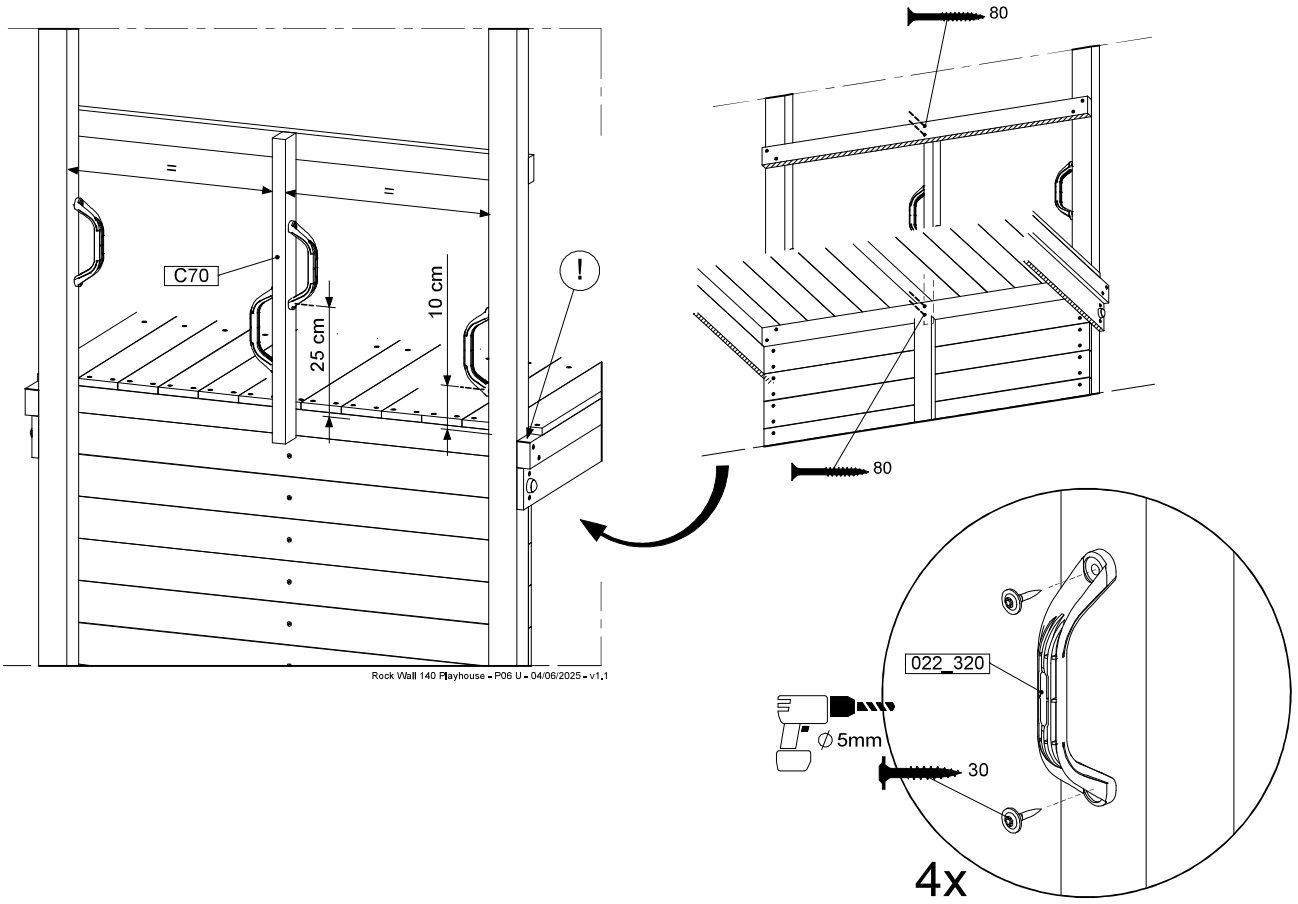
Rock Wall 140 Playhouse - P02 U - 04/06/2025 - v1.1



Rock Wall 140 Playhouse - P04 U - 04/06/2025 - v1.1

Manual ID: 048_067_2612

13.1

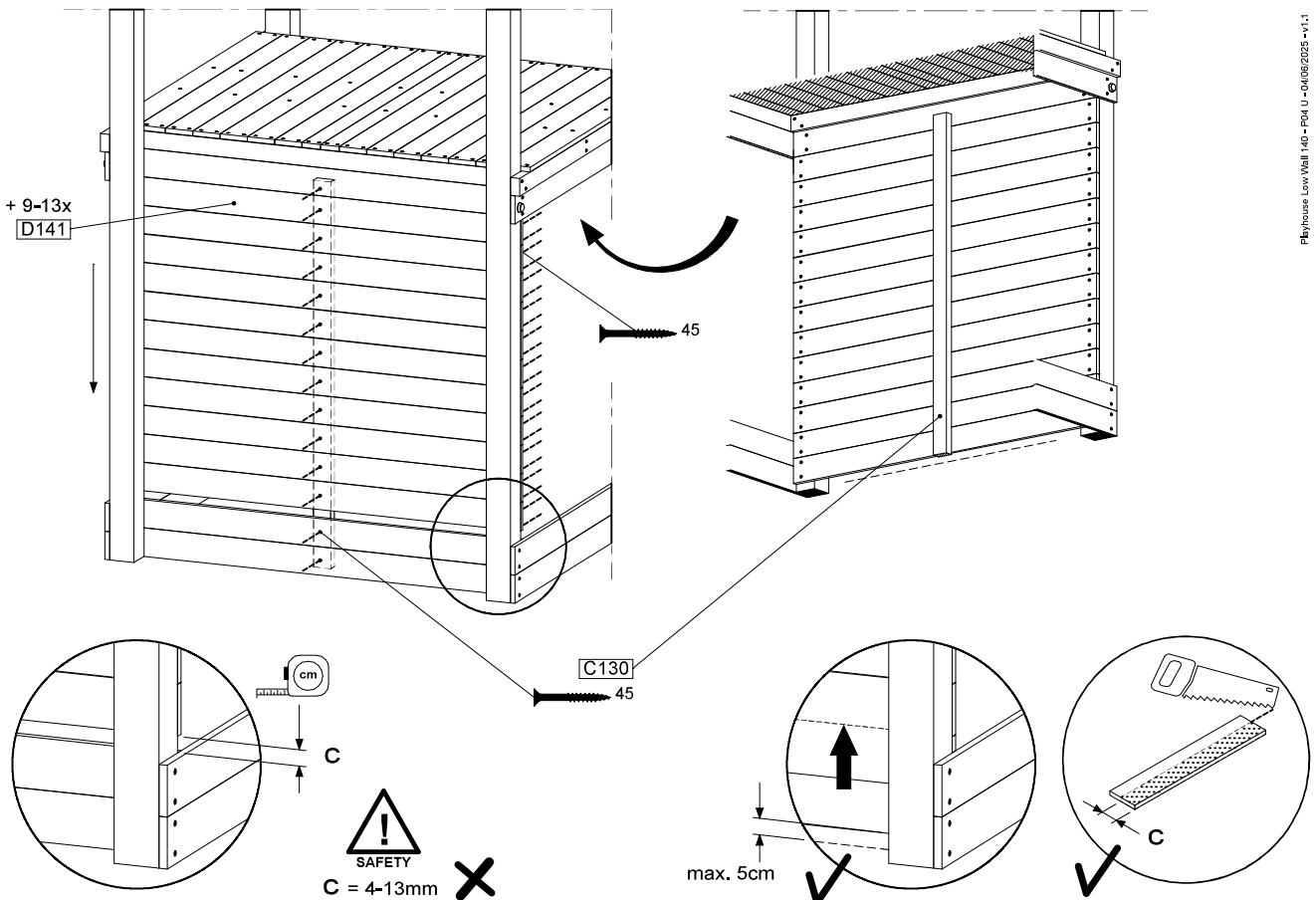
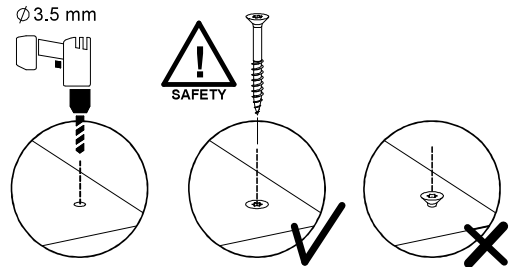
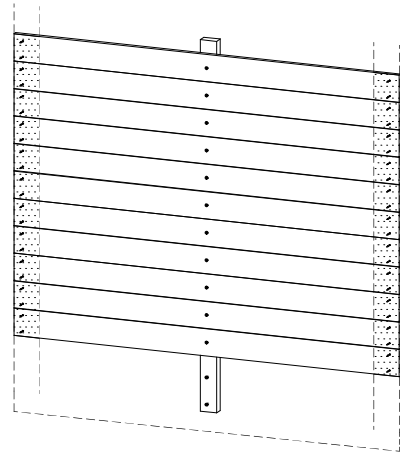


14 PH50a: Playhouse Wall 140 U Low

Assembly Pack: 194_809

	PartNo	PartName	QTY.
Hardware Pack	002_220	Gap Point Screw T25 - 5x45	67
Timber	C130	Beam 1300 mm	1
	D141	Board 1410 mm	13

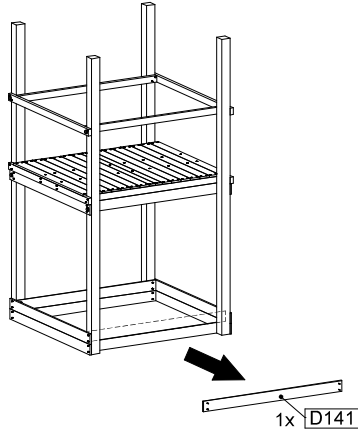
Playhouse Low Wall 140 - P02 U - 04/06/2025 - v1.1



Playhouse Low Wall 140 - P04 U - 04/06/2025 - v1.1

Manual ID: 048_067_2612

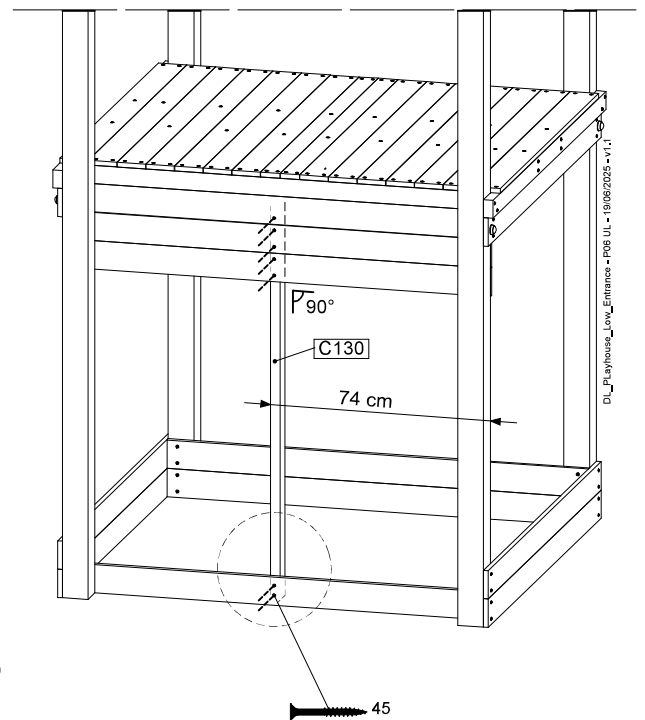
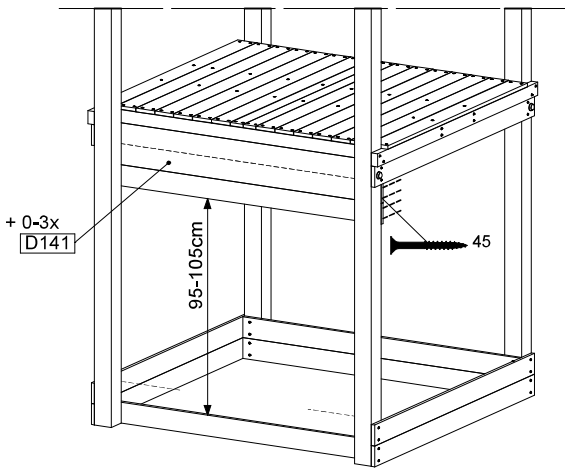
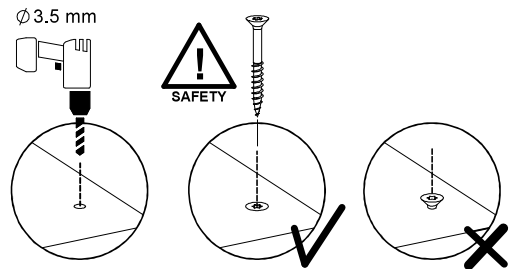
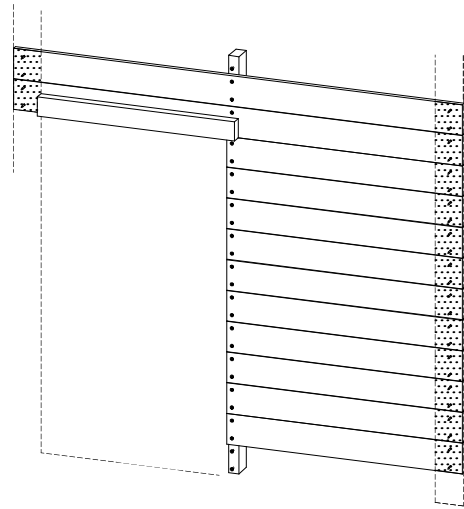
15 PH52a: Playhouse Entrance 140 UL Low



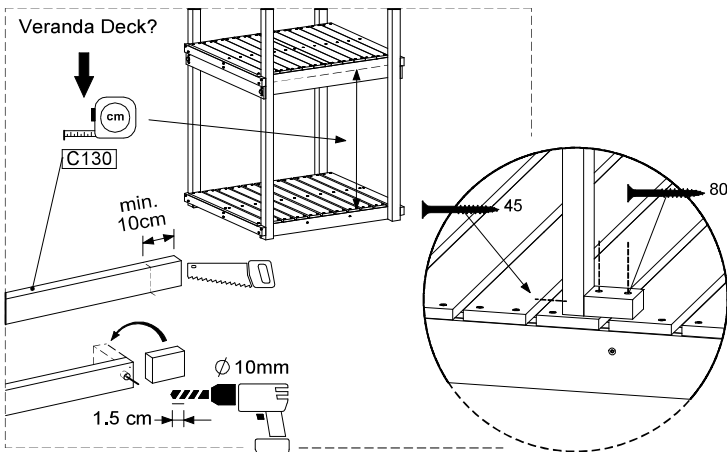
Assembly Pack: 194_809

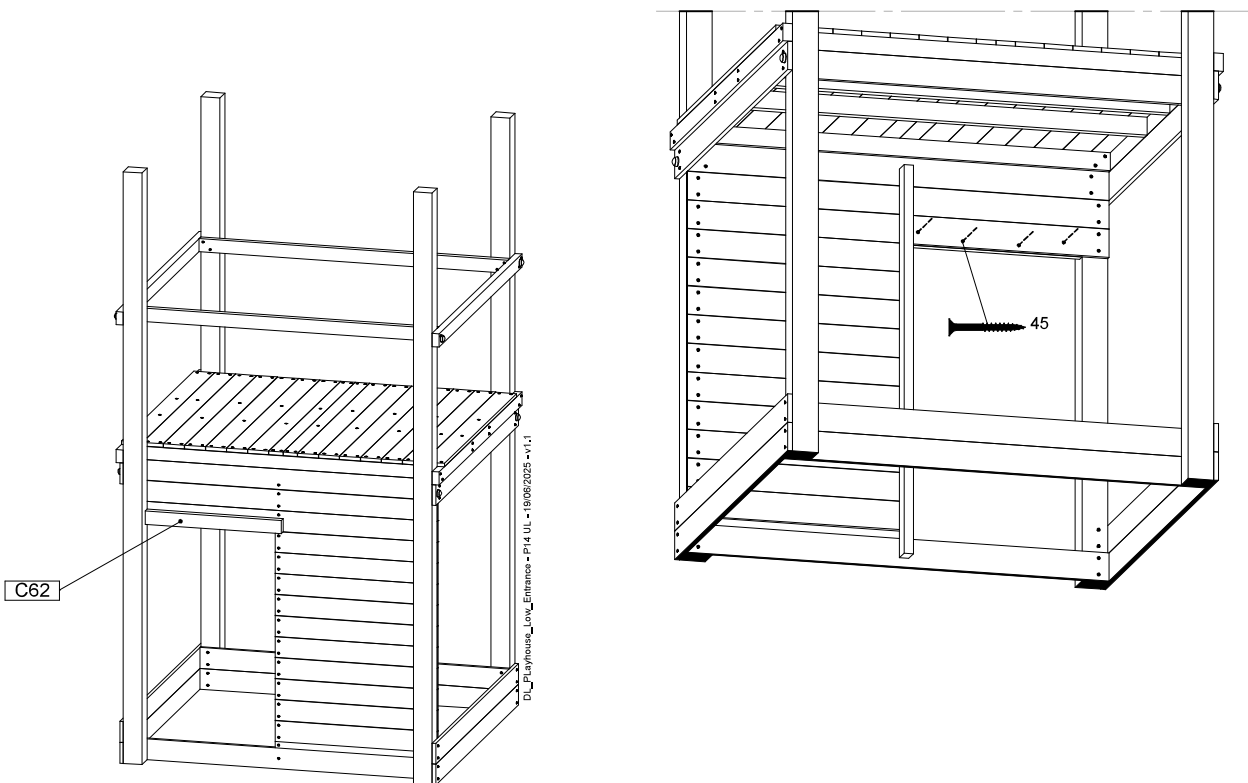
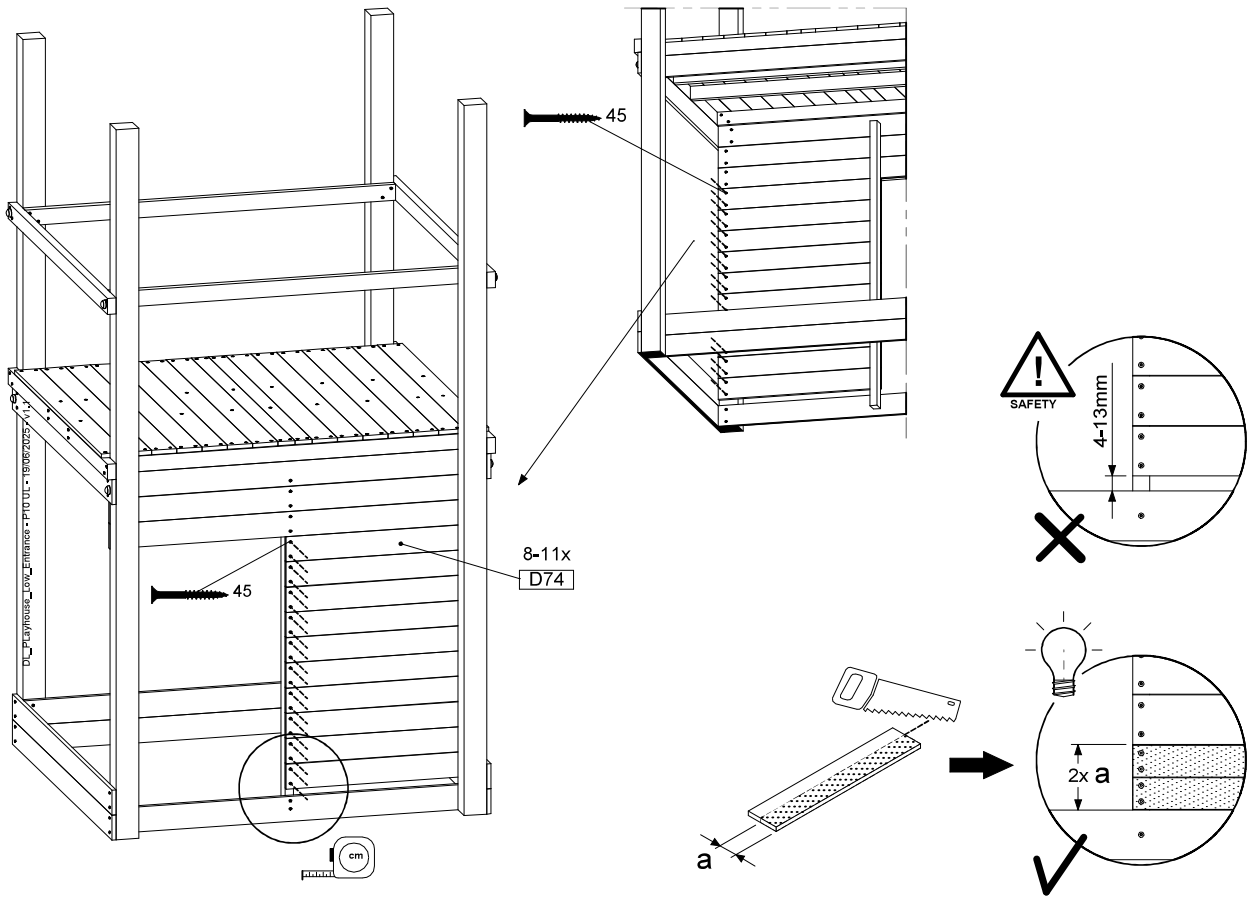
	PartNo	PartName	QTY.
Hardware Pack	002_220	Gap Point Screw T25 - 5x45	66
Timber	C62	Beam 620 mm	1
	C130	Beam 1300 mm	1
	D74	Board 740 mm	11
	D141	Board 1410 mm	2

DL_Playhouse_Low_Entrance - P02 UL - 19/08/2025 - v1.1



DL_Playhouse_Low_Entrance - P06 UL - 19/08/2025 - v1.1



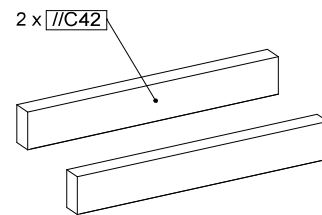
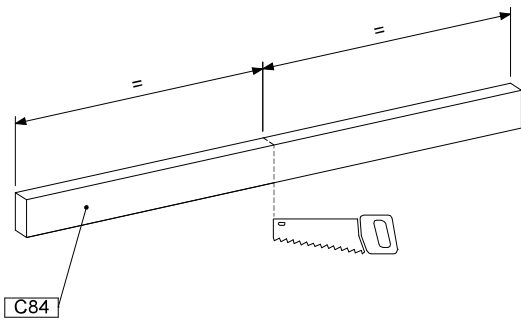
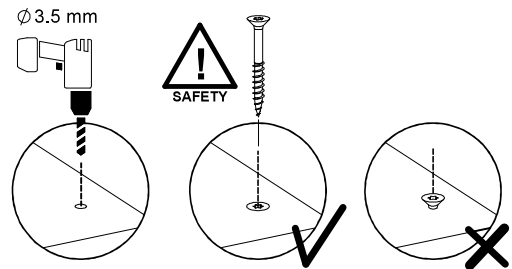
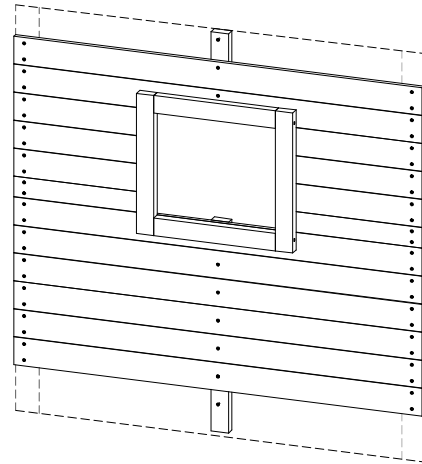


16 PH57b: Playhouse Window 140 T Low 2.0

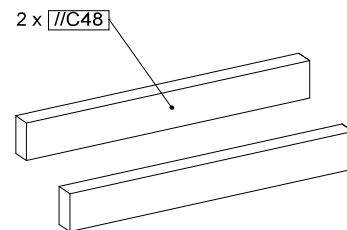
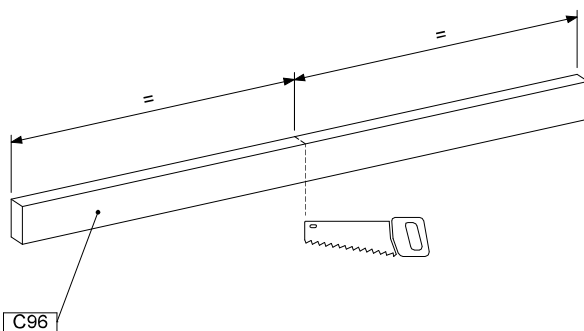
Assembly Pack: 194_508 / 194_804

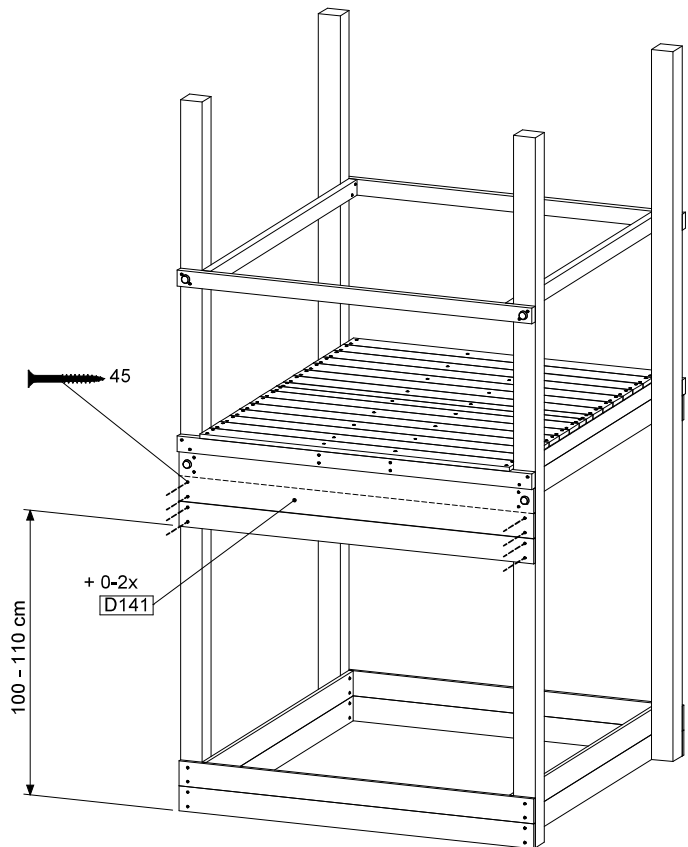
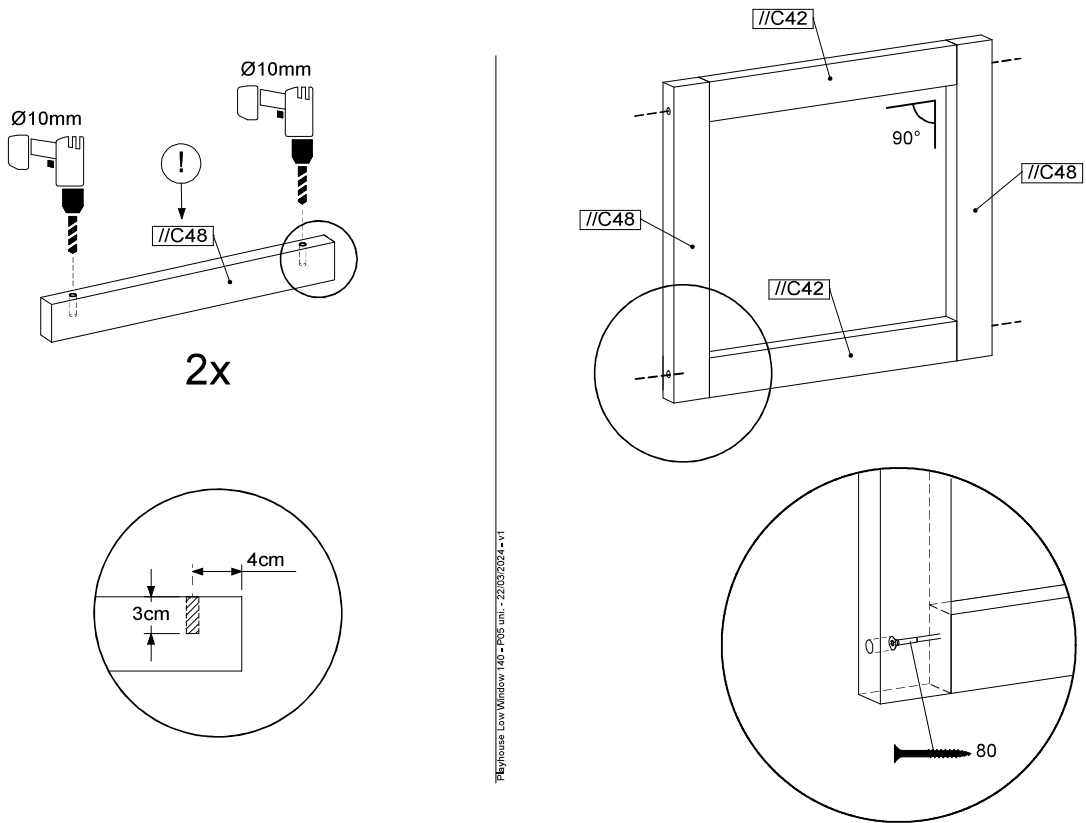
	PartNo	PartName	QTY.
Hardware Pack	002_220	Gap Point Screw T25 - 5x45	88
	002_223	Gap Point Screw T25 - 5x80	4
Timber	C84	Beam 840 mm	1
	C96	Beam 960 mm	2
	D47	Board 470 mm	8
	D141	Board 1410 mm	9

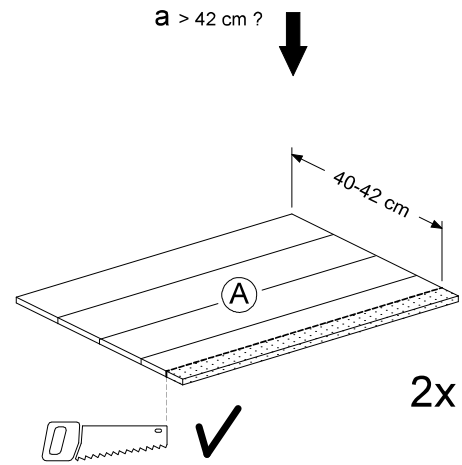
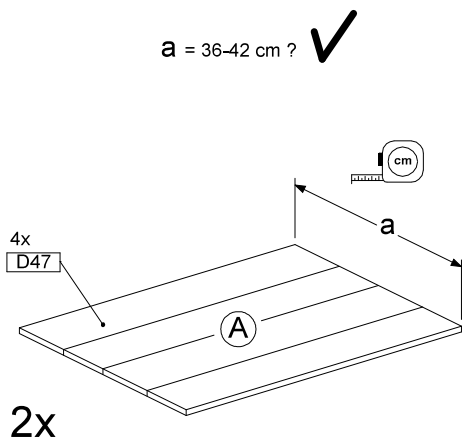
Playhouse Low Window 140 - P03 T - 22/03/2024 - v1




Playhouse Low Window 140 - P04 uni. - 22/03/2024 - v1



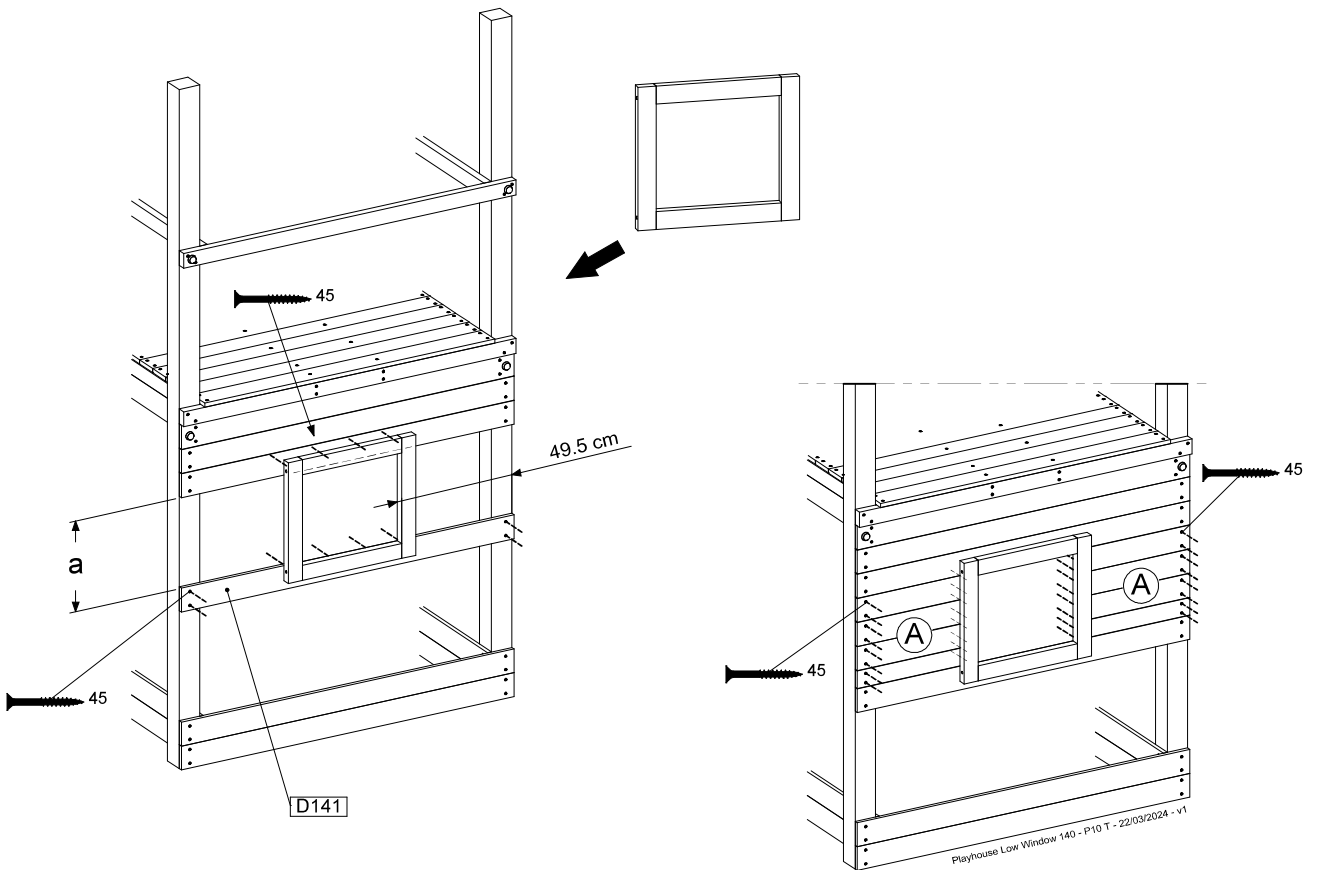


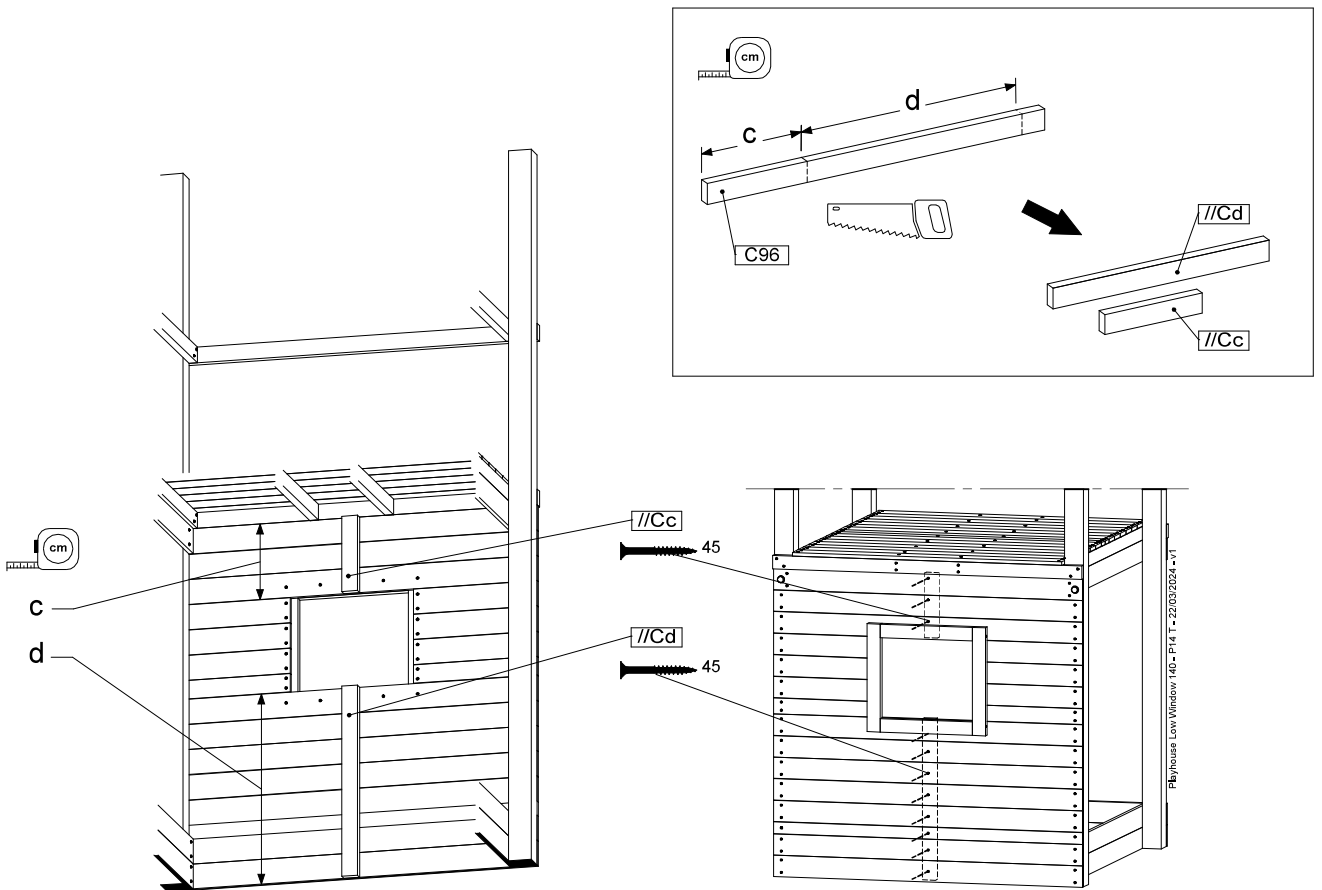
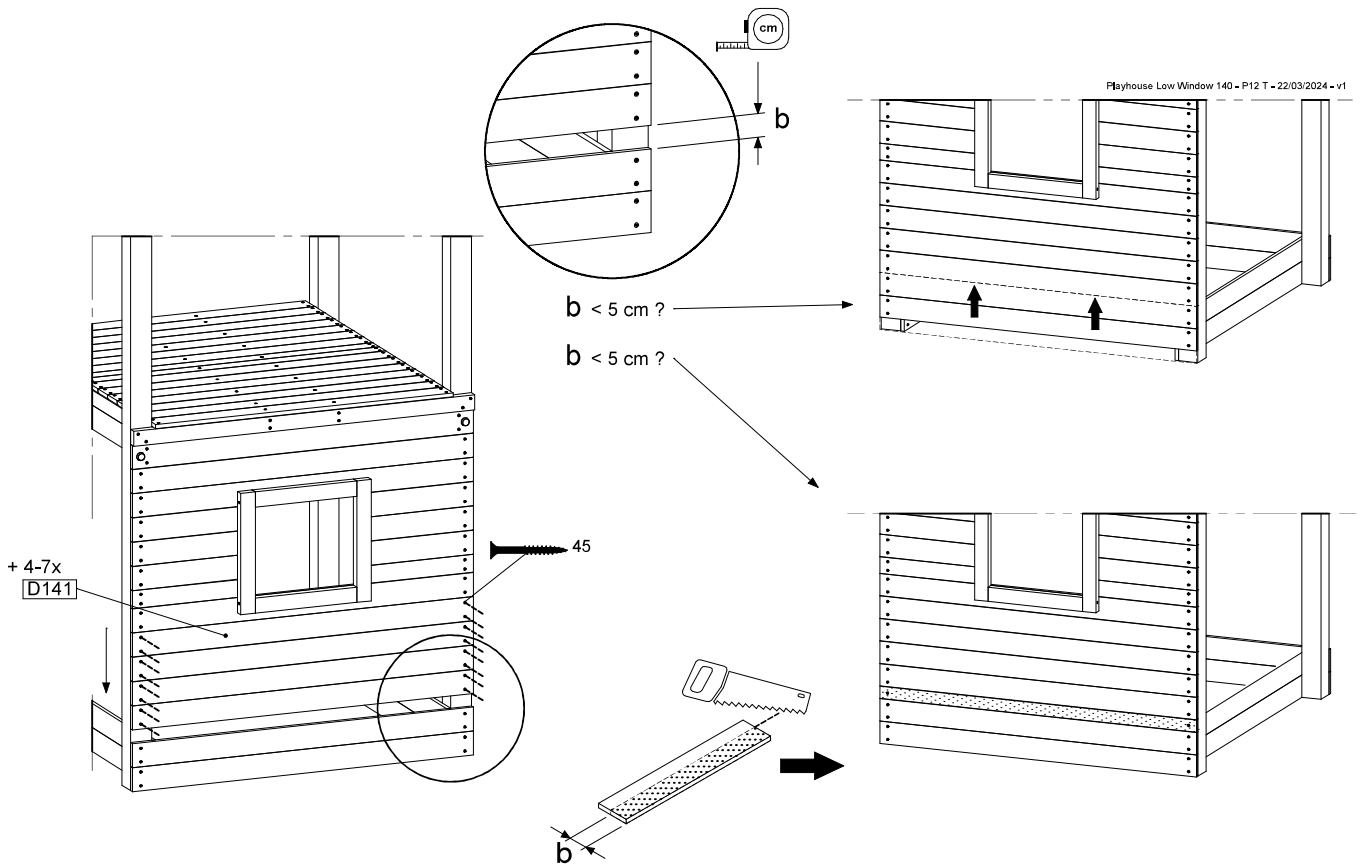


 $a = \dots\dots\dots \text{ cm}$

Playhouse Low Window 140 - P08 en - 22/03/2024 - v1

Manual ID: 048_067_2612



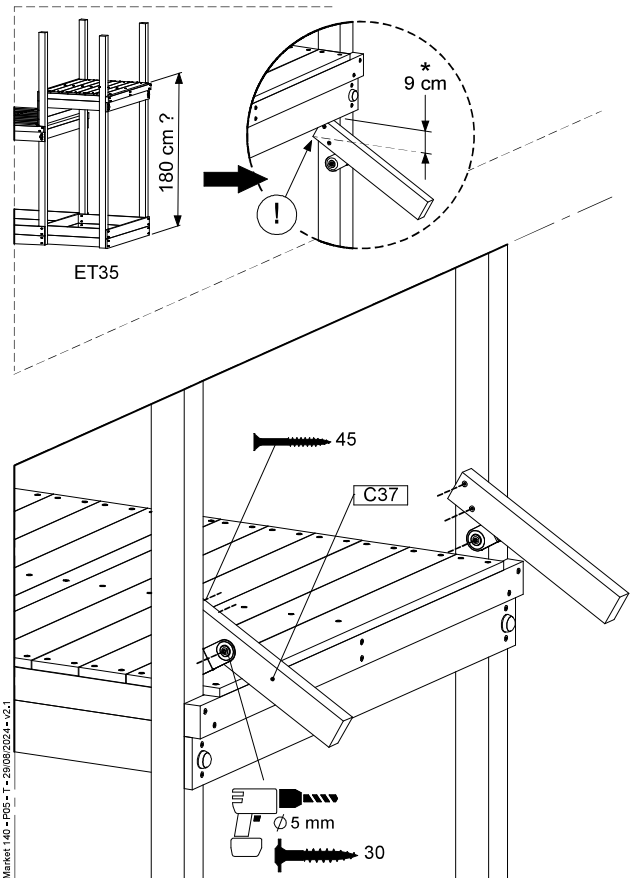
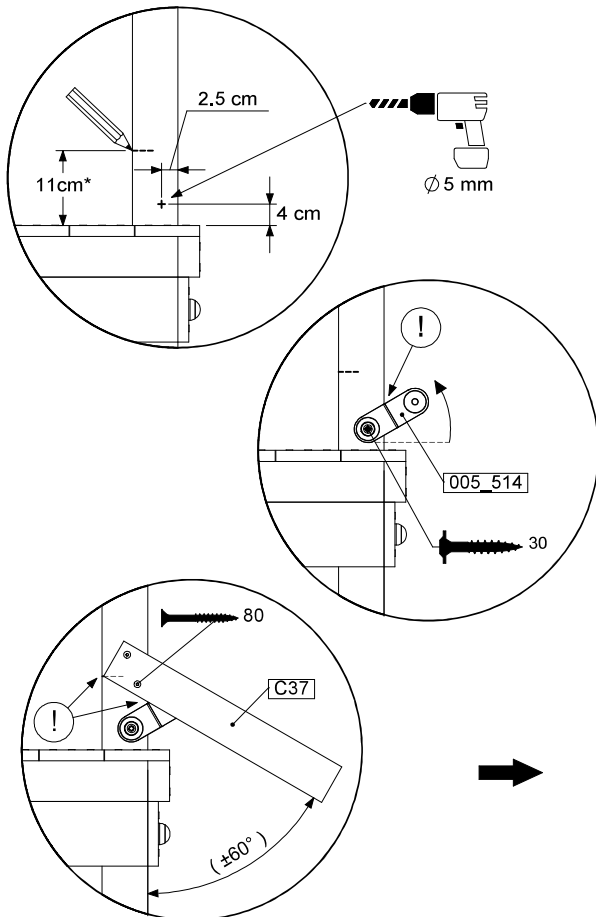
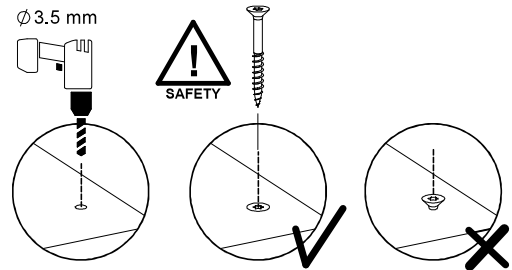
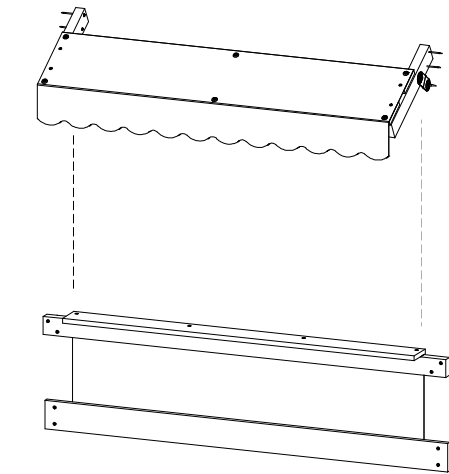


17 MT12a: Market 140 T

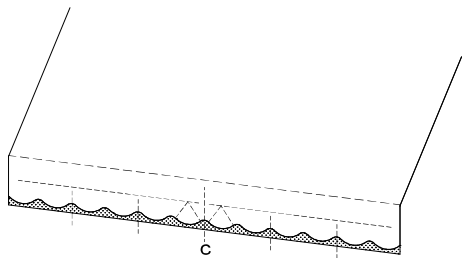
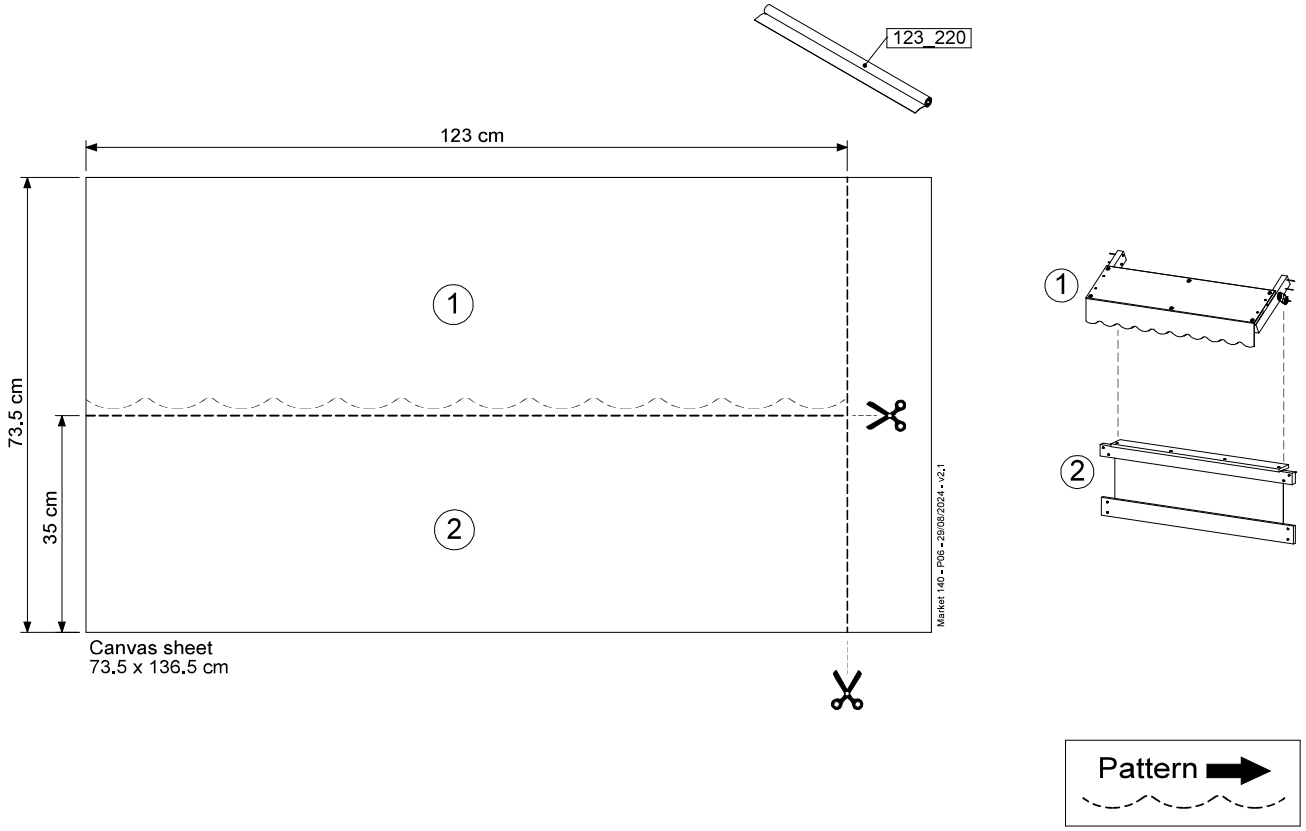
Assembly Pack: 194_811

	PartNo	PartName	QTY.
Hardware + Parts	001_404	Stealth Screw 8x30	4
	002_220	Gap Point Screw T25 - 5x45	16
	002_223	Gap Point Screw T25 - 5x80	8
	002_308	Gap Point Screw T25 - 5x20	10
	005_514	Ladder Bracket	2
	023_031	Finishing Washer GPS 5.0	10
	123_220	Canvas sheet 735x1365mm	1
Timber	C37	Beam 370 mm	2
	C141	Beam 1410 mm	1
	D123	Board 1230 mm	3
	D141	Board 1410 mm	1

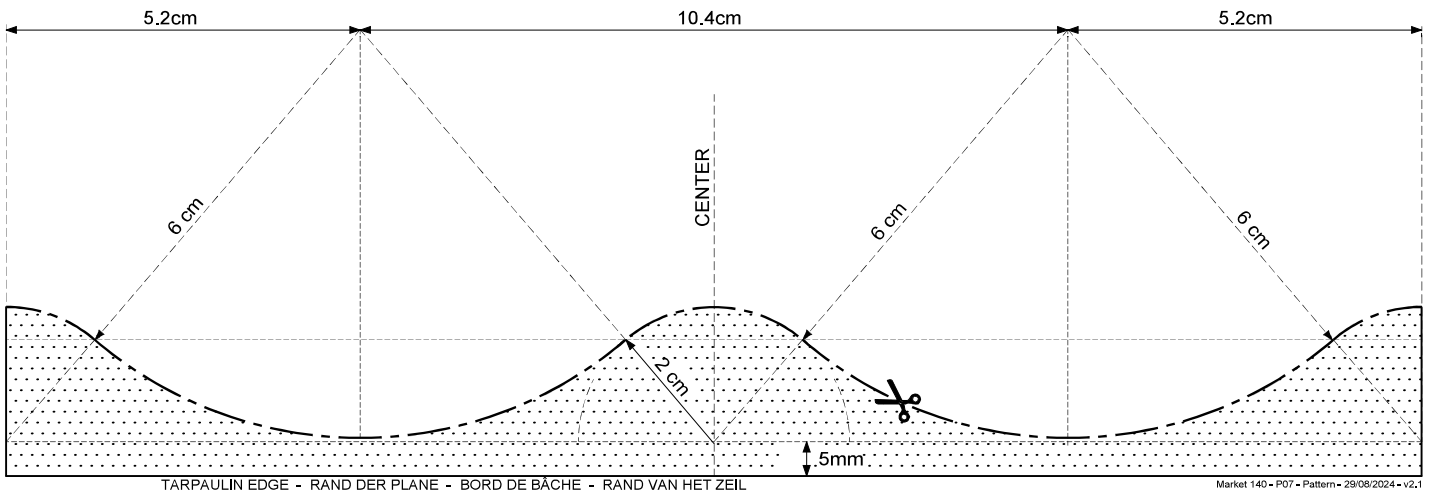
Market 140 - P03 - T - 29/08/2024 - v2.1



Market 140 - P03 - T - 29/08/2024 - v2.1



EXAMPLE PATTERN
BEISPIELVORLAGE FÜR MARKISE
SCHÉMA SUGGÈRE DE DÉCOUPE POUR AUVENT
VOORBEELDSJABLOON LUIFEL

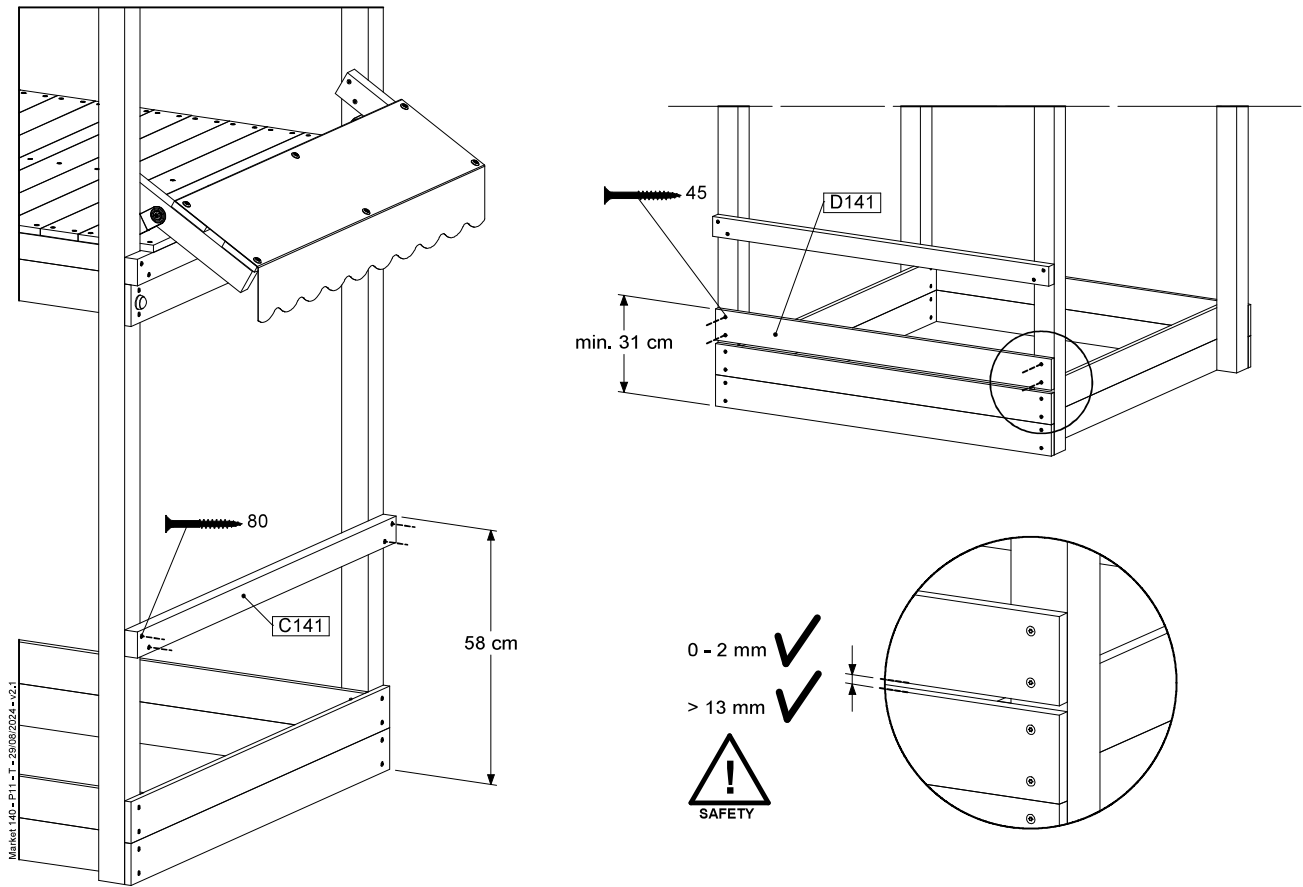
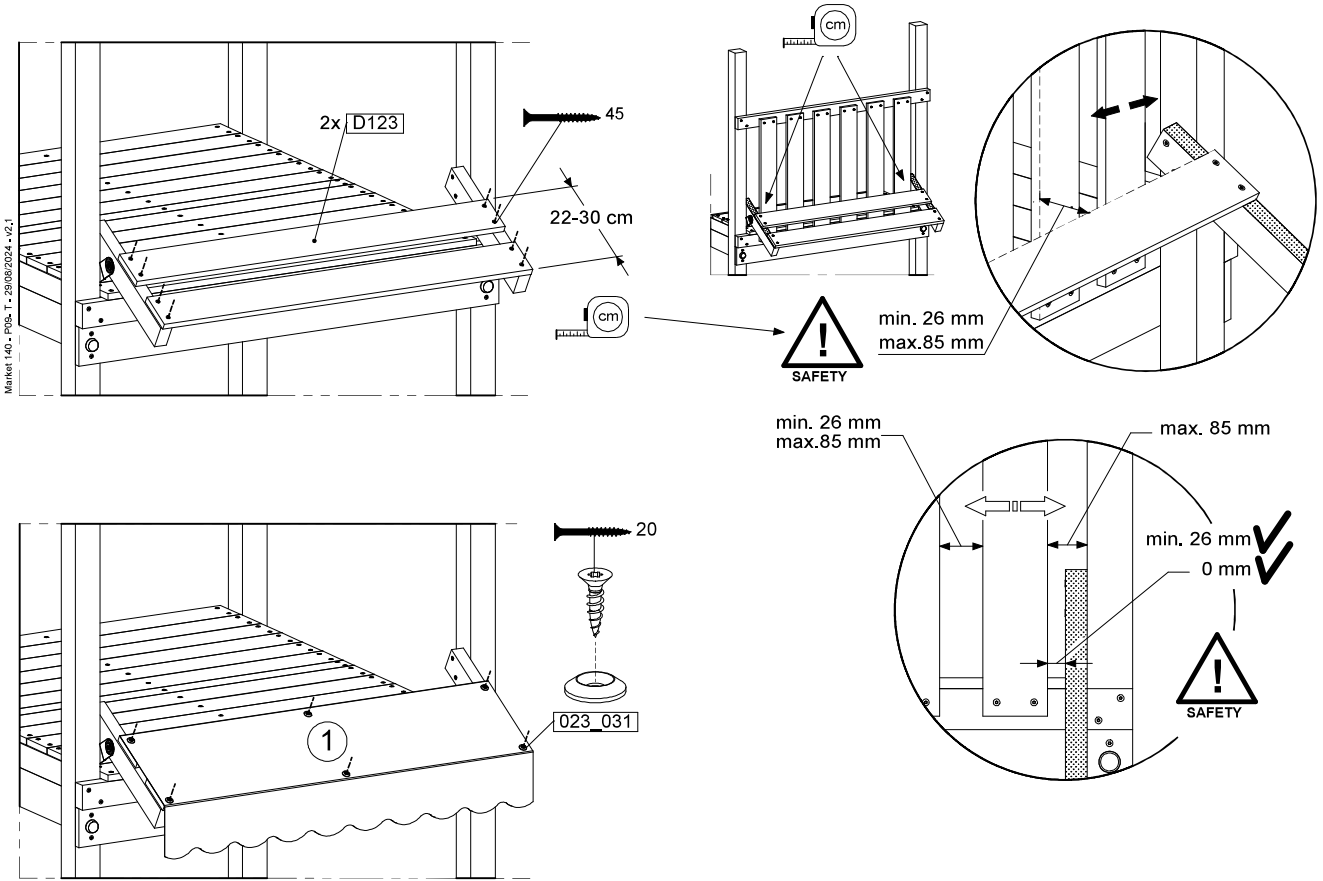


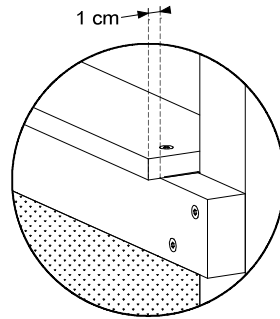
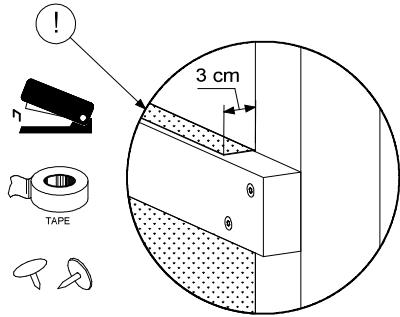
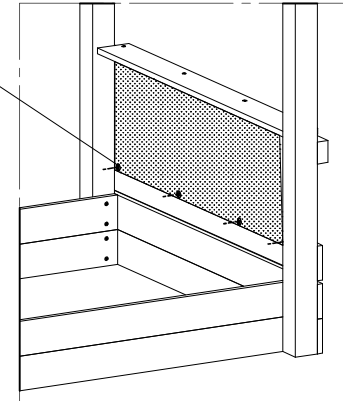
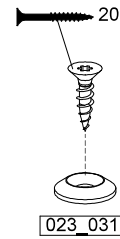
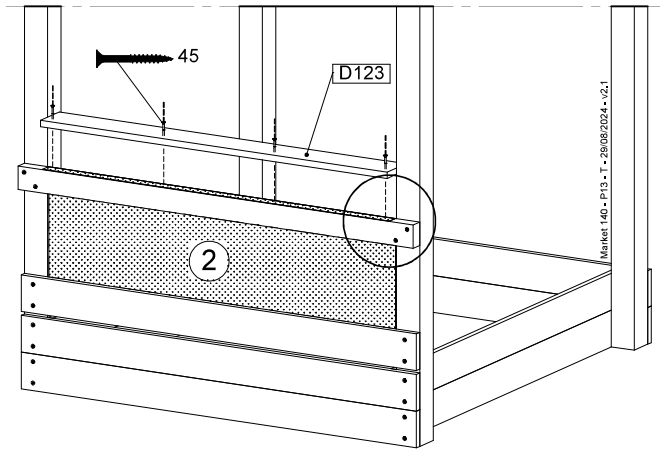
← repeat

repeat →



Scale of print may not be accurate.
Druckformat kann abweichen.
Les tailles imprimées peuvent varier.
Printformaat kan afwijken.



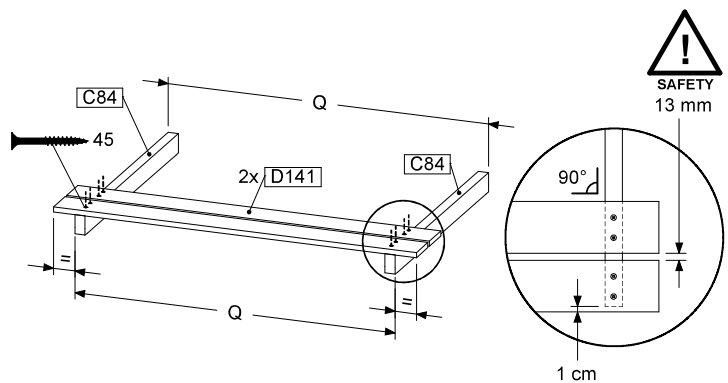
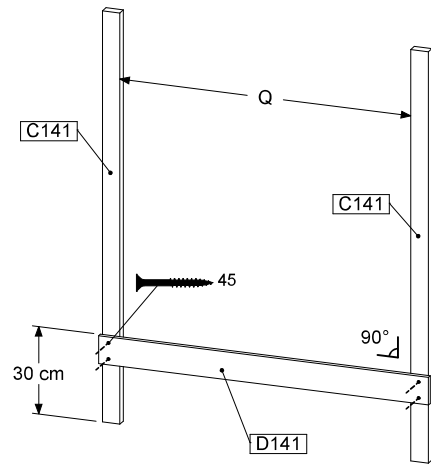
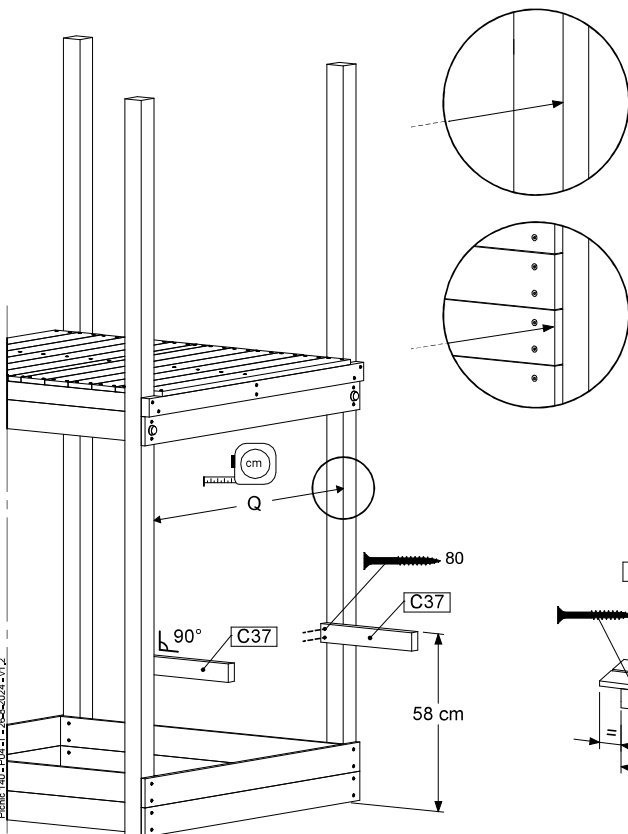
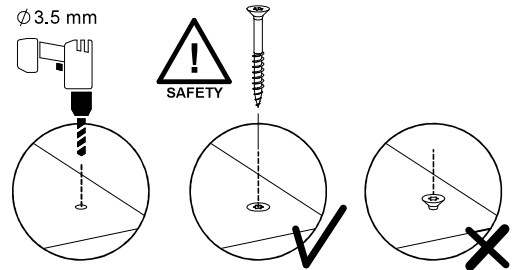
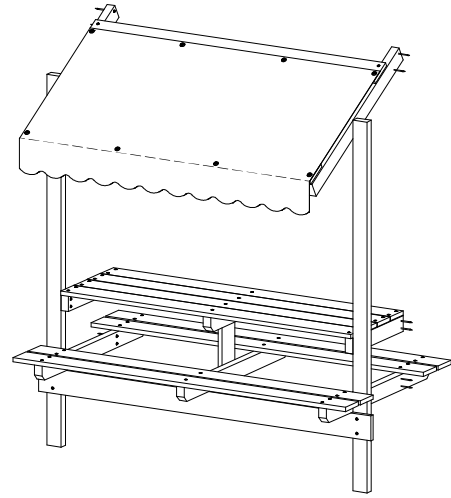


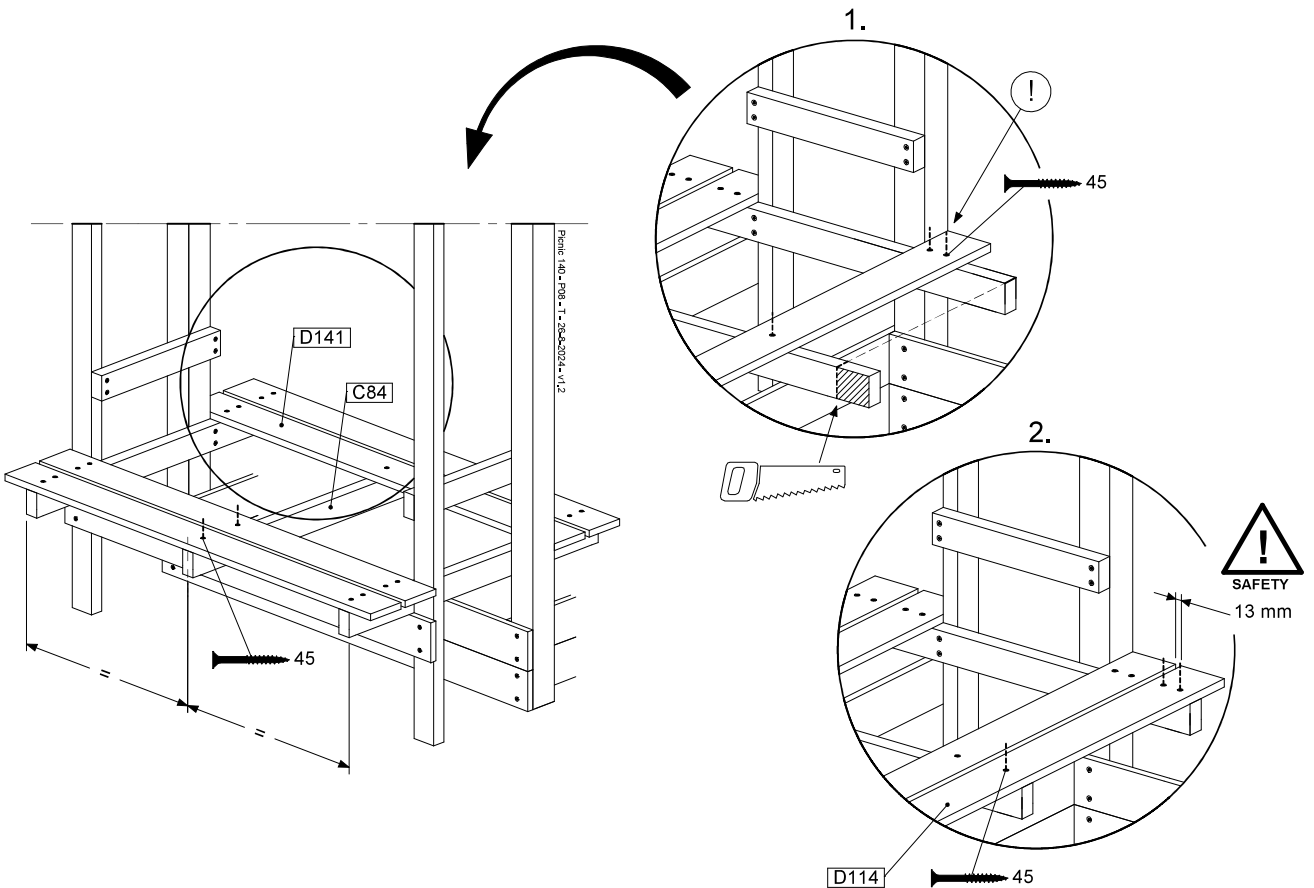
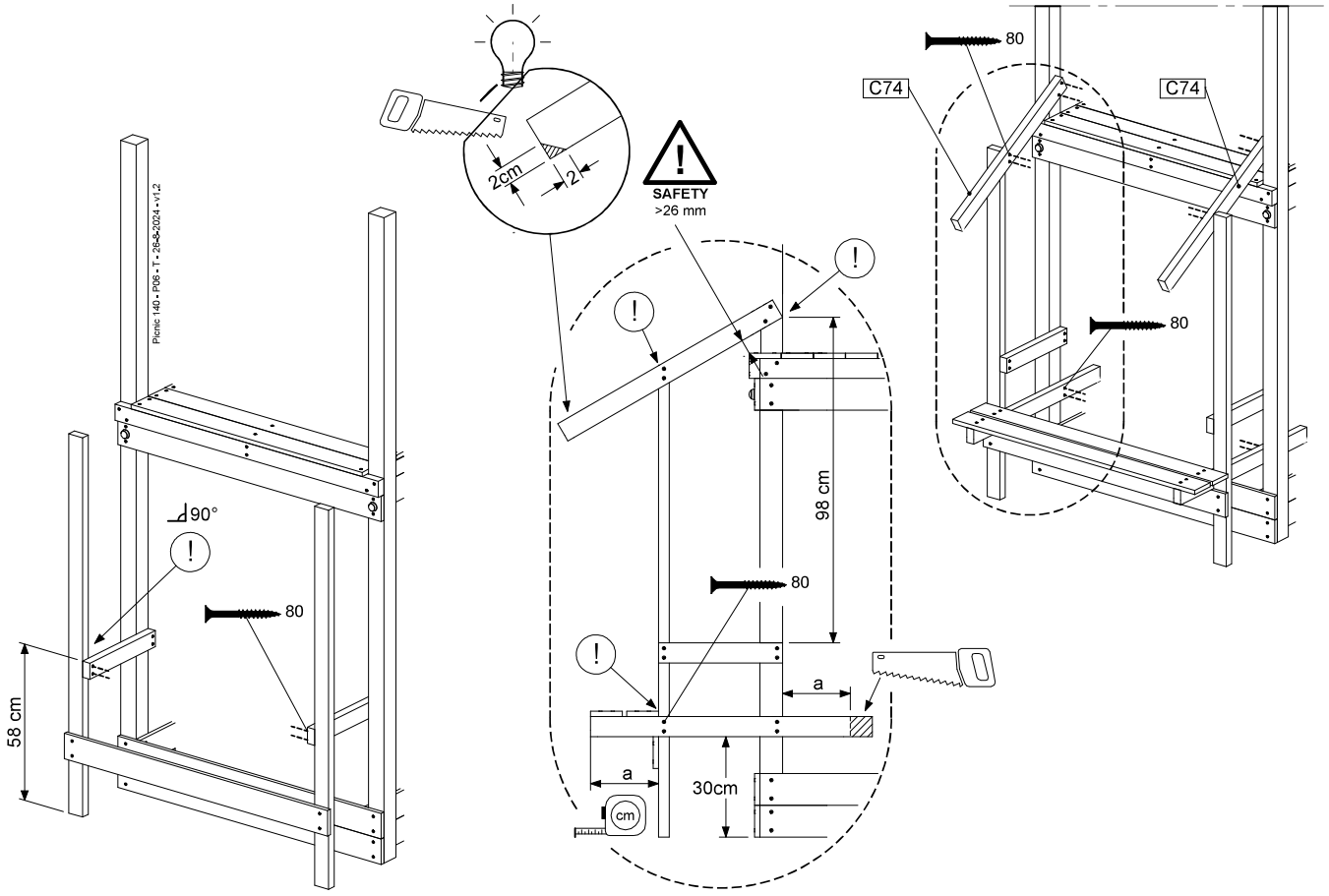
18 PC10a: Picnic 140 T

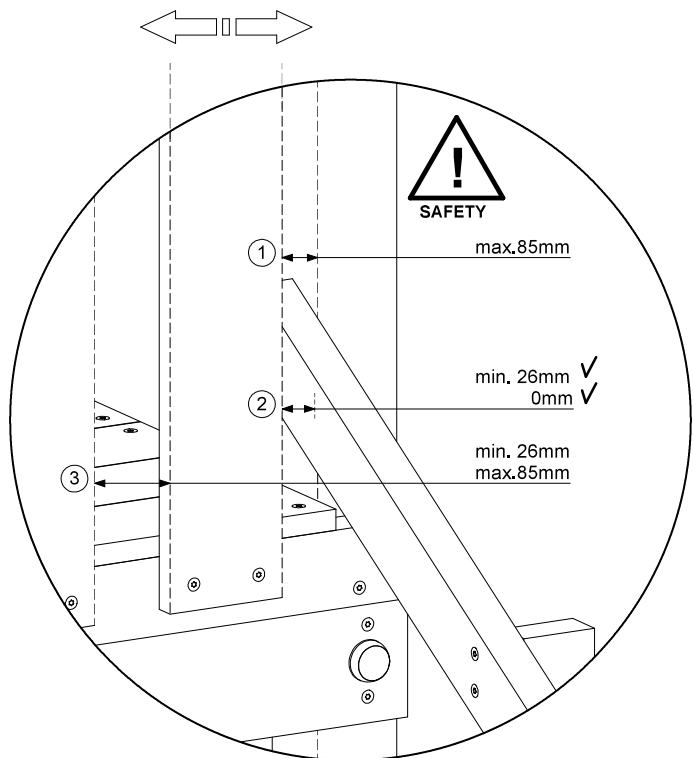
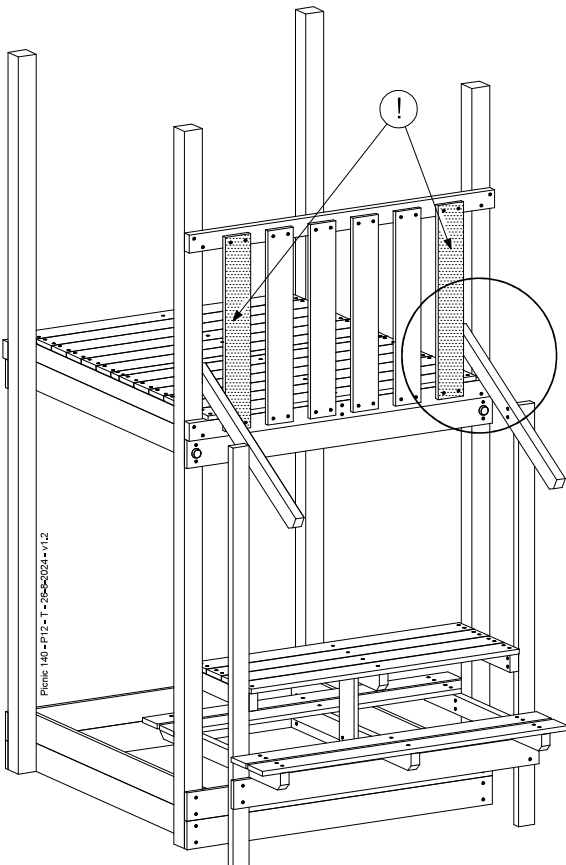
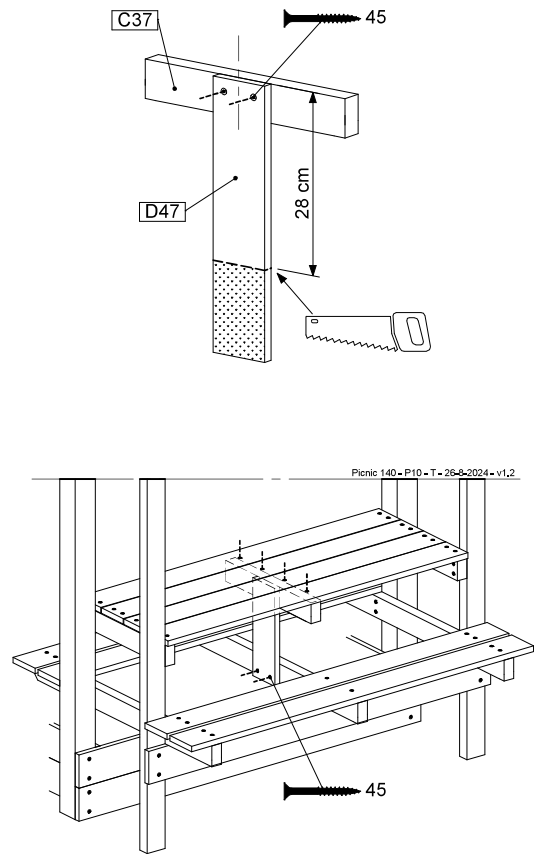
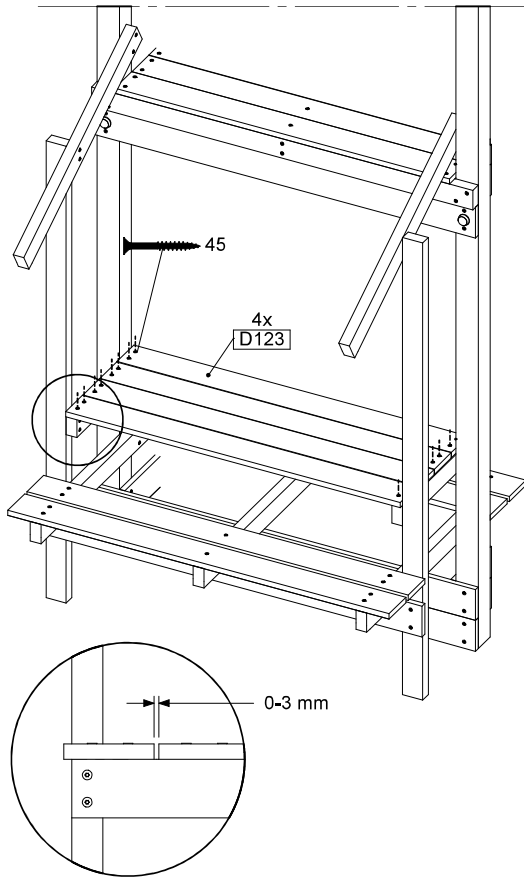
Assembly Pack: 194_810

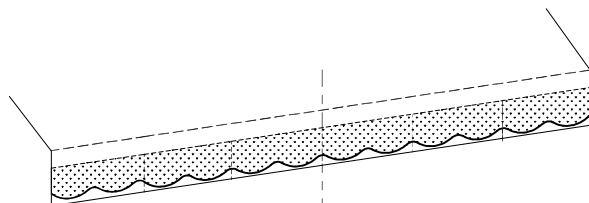
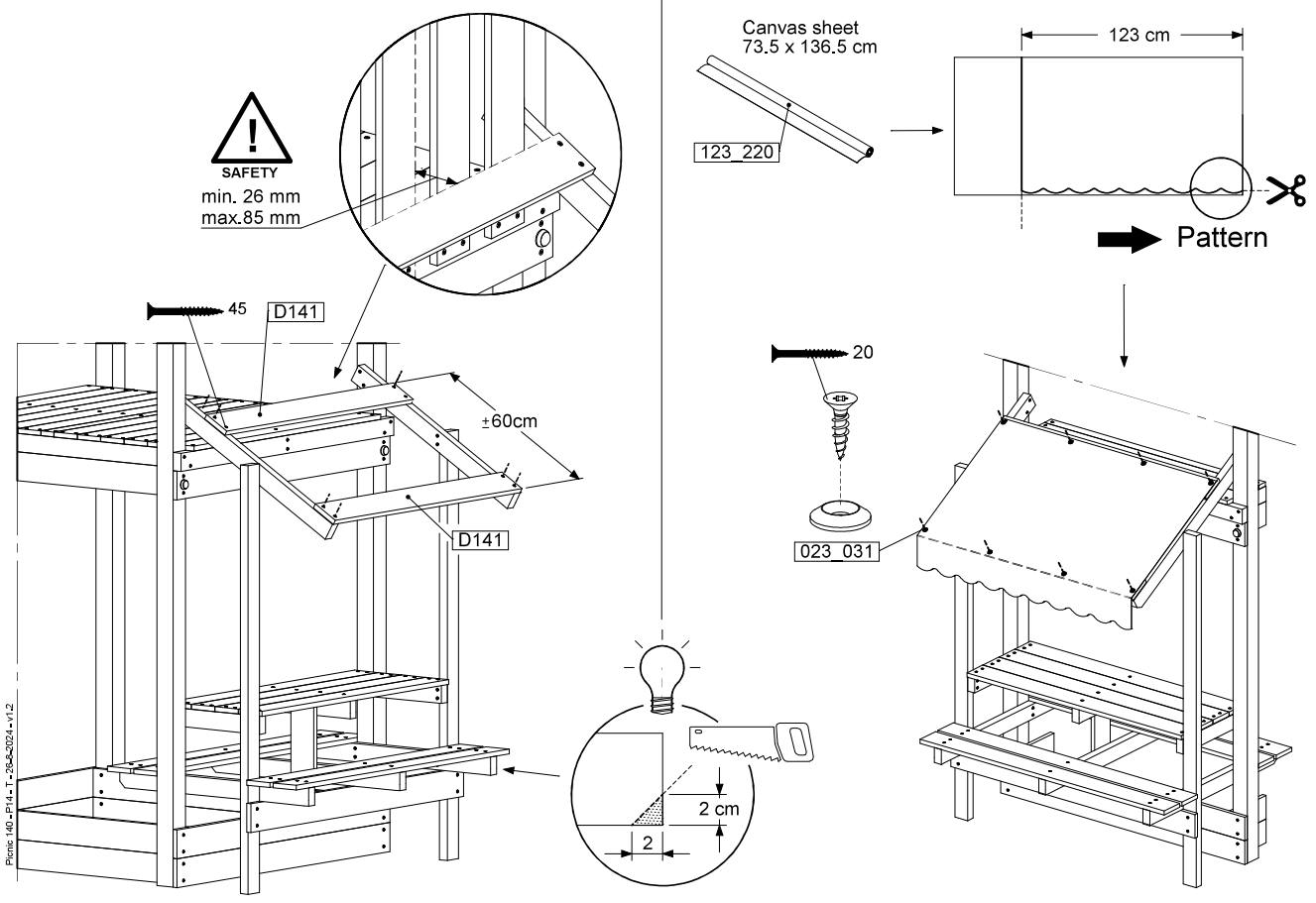
	PartNo	PartName	QTY.
Hardware + Parts	002_220	Gap Point Screw T25 - 5x45	56
	002_223	Gap Point Screw T25 - 5x80	24
	002_308	Gap Point Screw T25 - 5x20	8
	023_031	Finishing Washer GPS 5.0	8
	123_220	Canvas sheet 735x1365mm	1
Timber	C37	Beam 370 mm	3
	C74	Beam 740 mm	2
	C84	Beam 840 mm	3
	C141	Beam 1410 mm	2
	D47	Board 470 mm	1
	D123	Board 1230 mm	6
	D141	Board 1410 mm	5

Picnic 140 - P02 - LIT - 25-6-2024 - v1.2

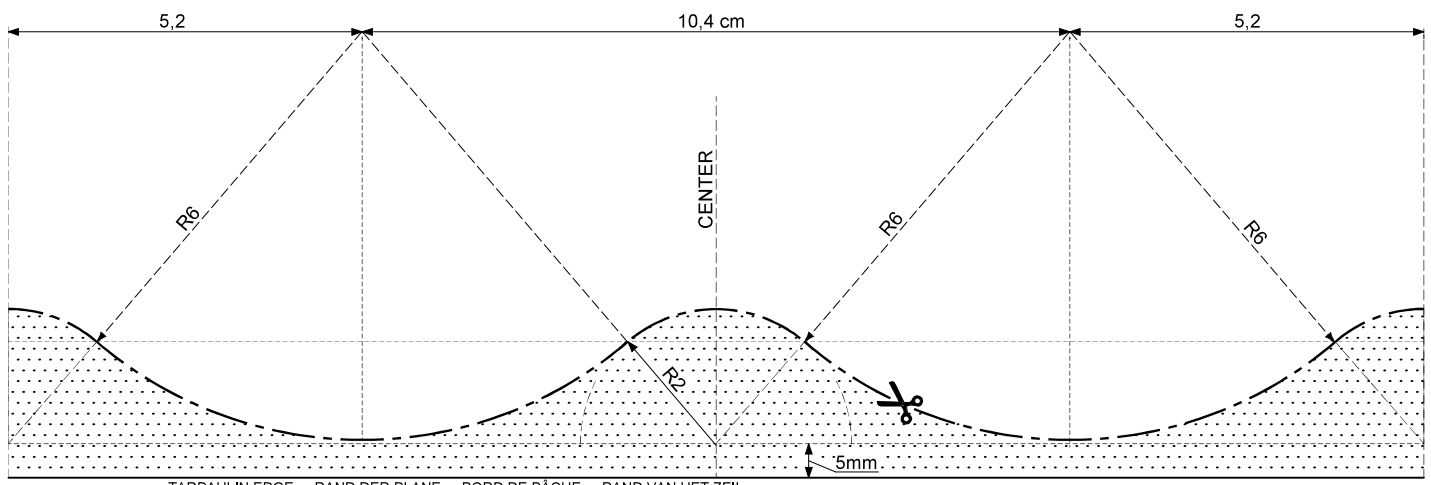








EXAMPLE PATTERN
BEISPIELVORLAGE FÜR MARKISE
SCHÉMA SUGGÉRÉ DE DÉCOUPE POUR AUVENT
VOORBEELDSJABLOON LUIFEL

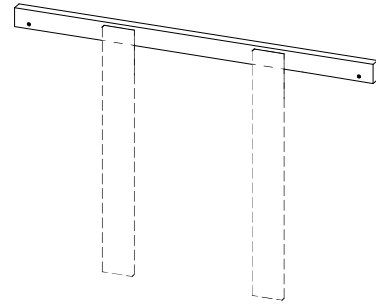
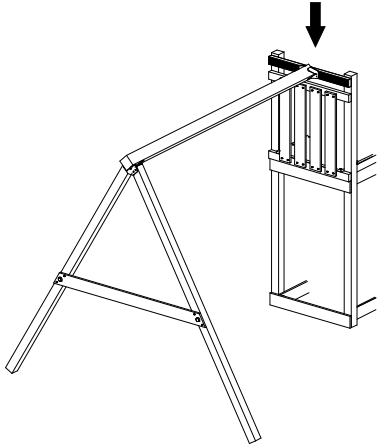


← repeat

repeat →

! Scale of print may not be accurate.
Druckformat kann abweichen.
Les tailles imprimées peuvent varier.
Printformaat kan afwijken.

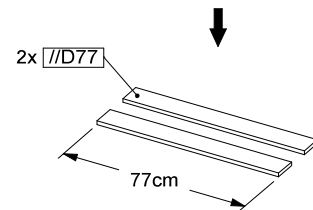
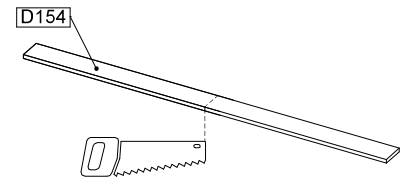
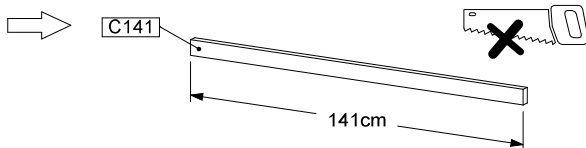
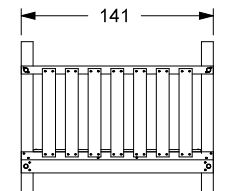
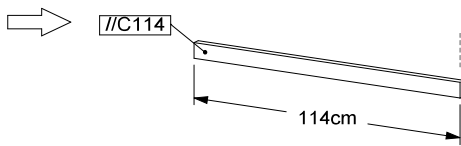
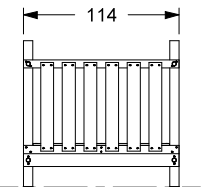
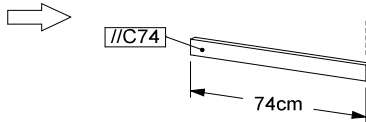
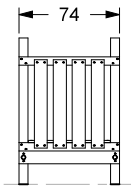
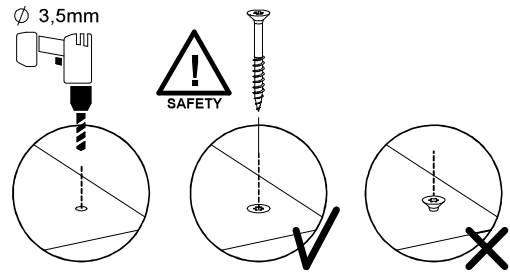
19 UB07a: Swing Mounting Set Uni - PART 1



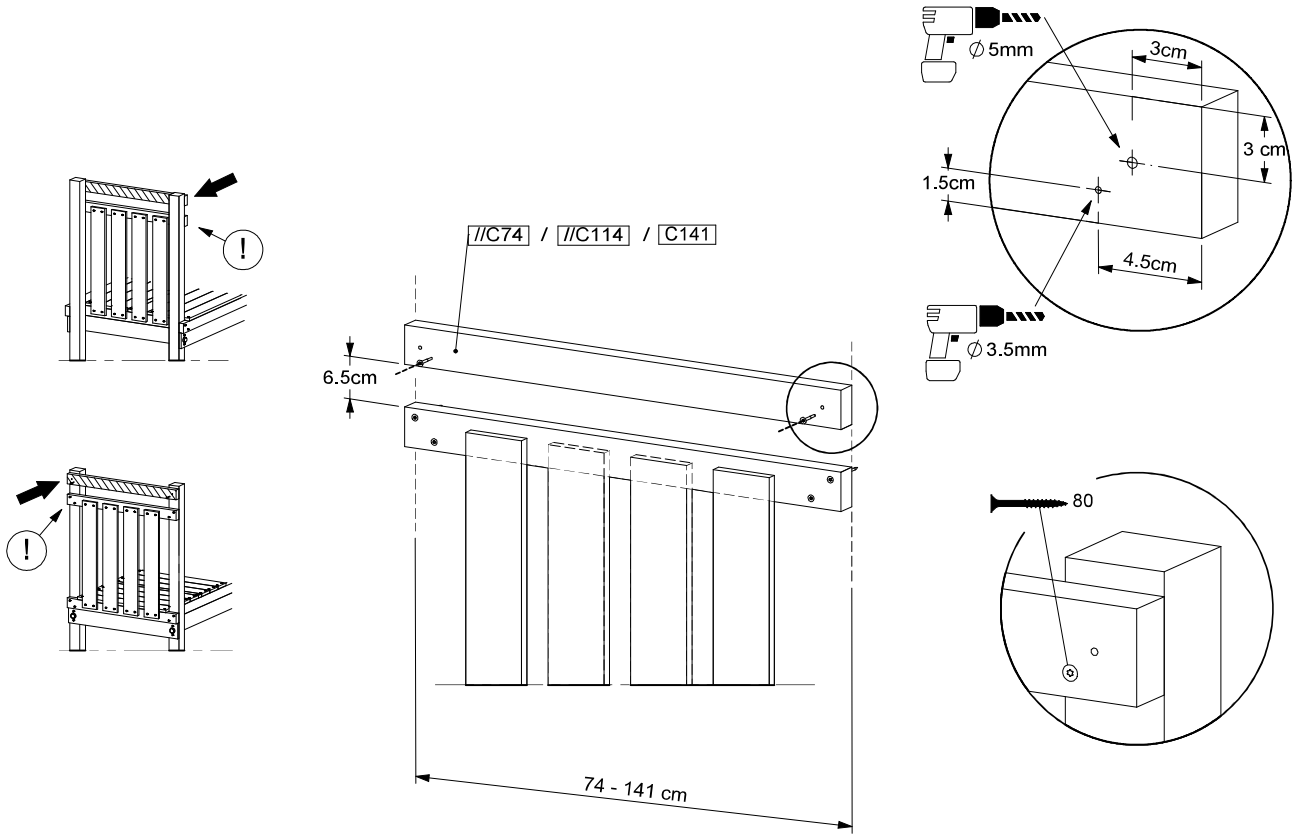
Assembly Packs: 457_103 / 457_107 (Swing / Climb Kit)

	PartNo	PartName	QTY.
Hardware	002_223	Gap Point Screw T25 - 5x80	2
Timber	C141	Beam 1410 mm	1
	D154	Board 1540 mm	1

Swing Mounting Set - P03 - 23/09/2024 - v1.0

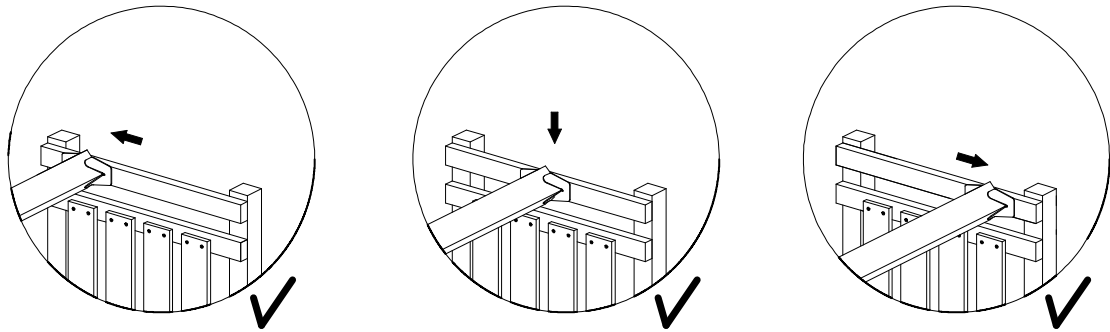


Swing Mounting Set - P03 - 23/09/2024 - v1.0

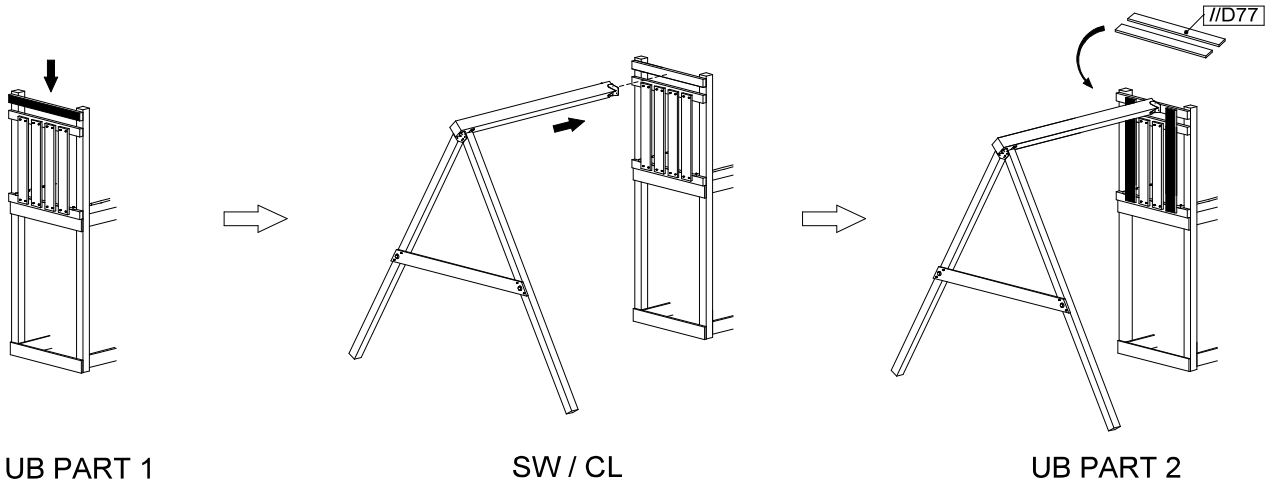


Swing Mounting Set - P05 - 23/09/2024 - v1.0

Manual ID: 048_067_2612



Swing Mounting Set - P05 - 23/09/2024 - v1.0



UB PART 1

SW / CL

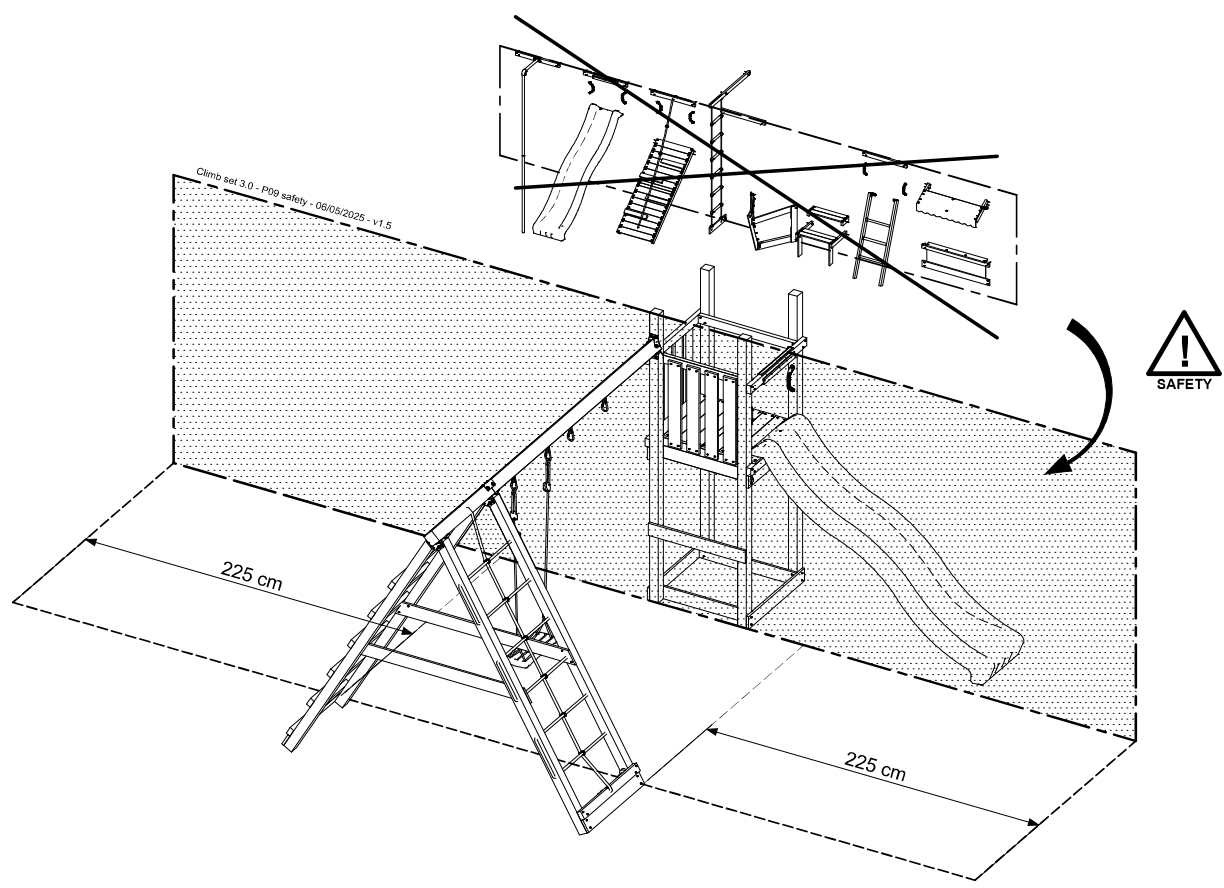
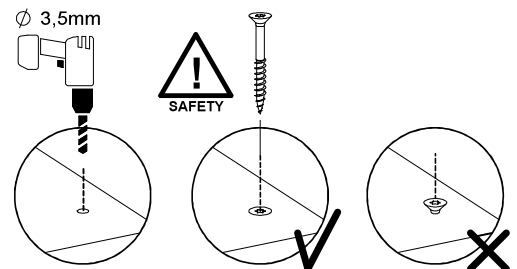
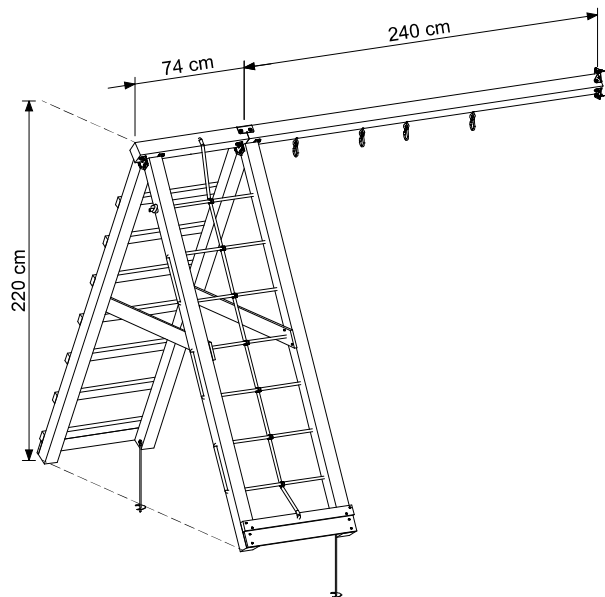
UB PART 2

20 CL22b: 2- Climb Module 220 Extra - 3.0

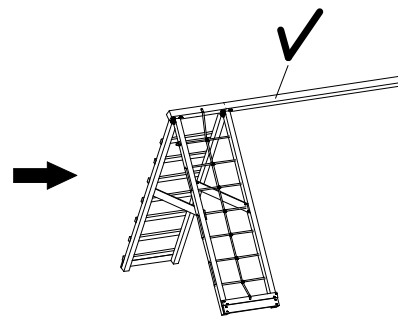
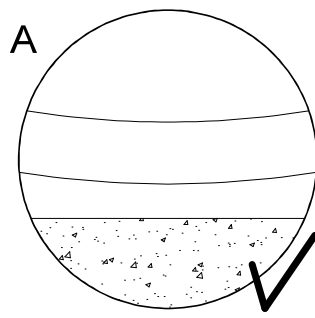
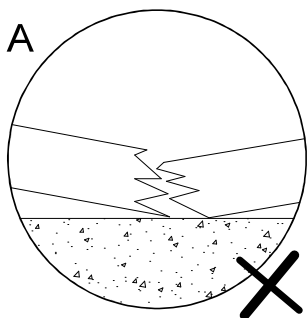
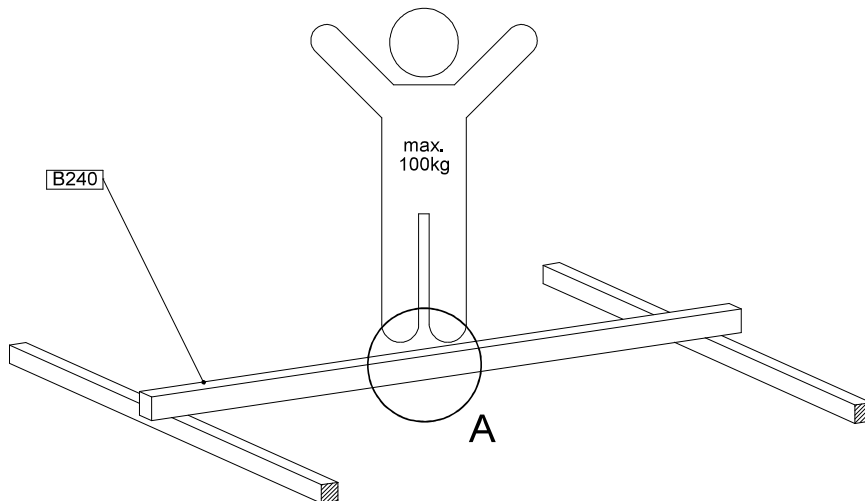
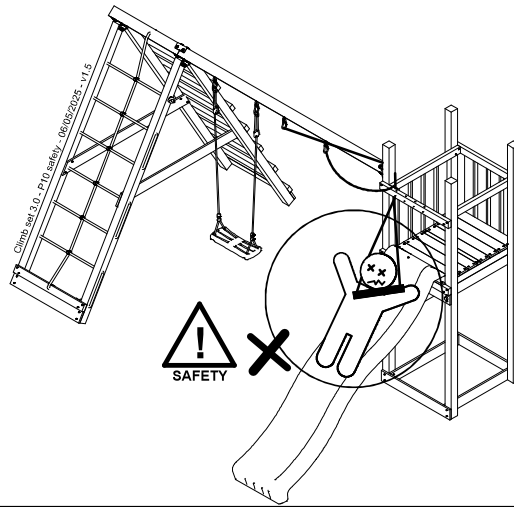
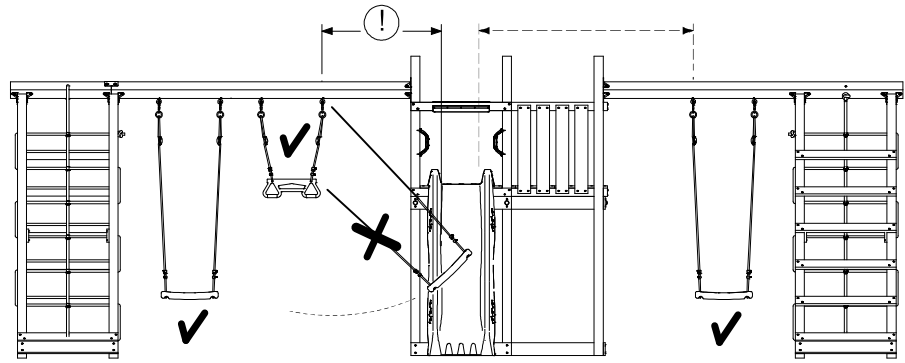
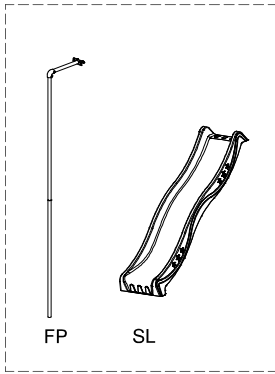
Assembly Kit: 457_107

	PartNo	PartName	QTY.
Hardware + Parts	001_404	Stealth Screw 8x30	4
	001_406	Stealth Screw 8x45	34
	001_417	Stealth Screw 8x80	2
	002_220	Gap Point Screw T25 - 5x45	36
	002_223	Gap Point Screw T25 - 5x80	35
	002_301	Dry Wall Screw PH2 3.9 x 40 mm	7
	023_042	Nylon washer 9x19x1.5	36
	005_096	A-Frame V-Connector	4
	005_097	Swing V-Connector	2
	005_099	Climber Top Connector	1
	007_001	Ground-anchor	2
	020_317	Rope Polyester 16mm Green 3.4m	1
	020_318	Rope Polyester 16mm Green 8.1m	1
022_455	Rope Cross Connector Egg	7	
101_003	Swing hook with Carabiner	4	
Timber	B74	Post ca.90x90 L740	1
	B240	Post ca.90x90 L2400	5
	C74	Beam 740 mm	8
	D74	Board 740 mm	2
	D141	Board 1410 mm	3

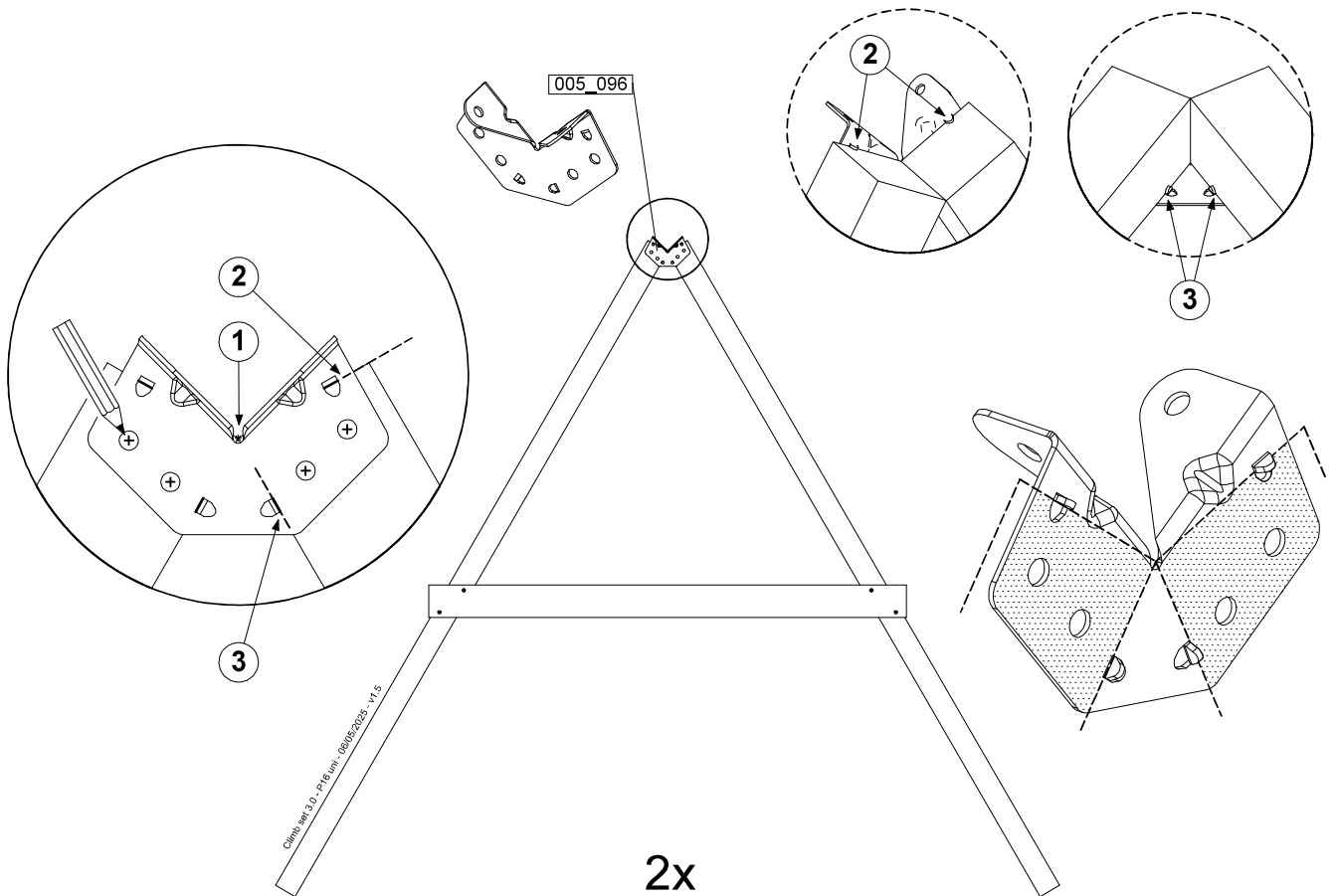
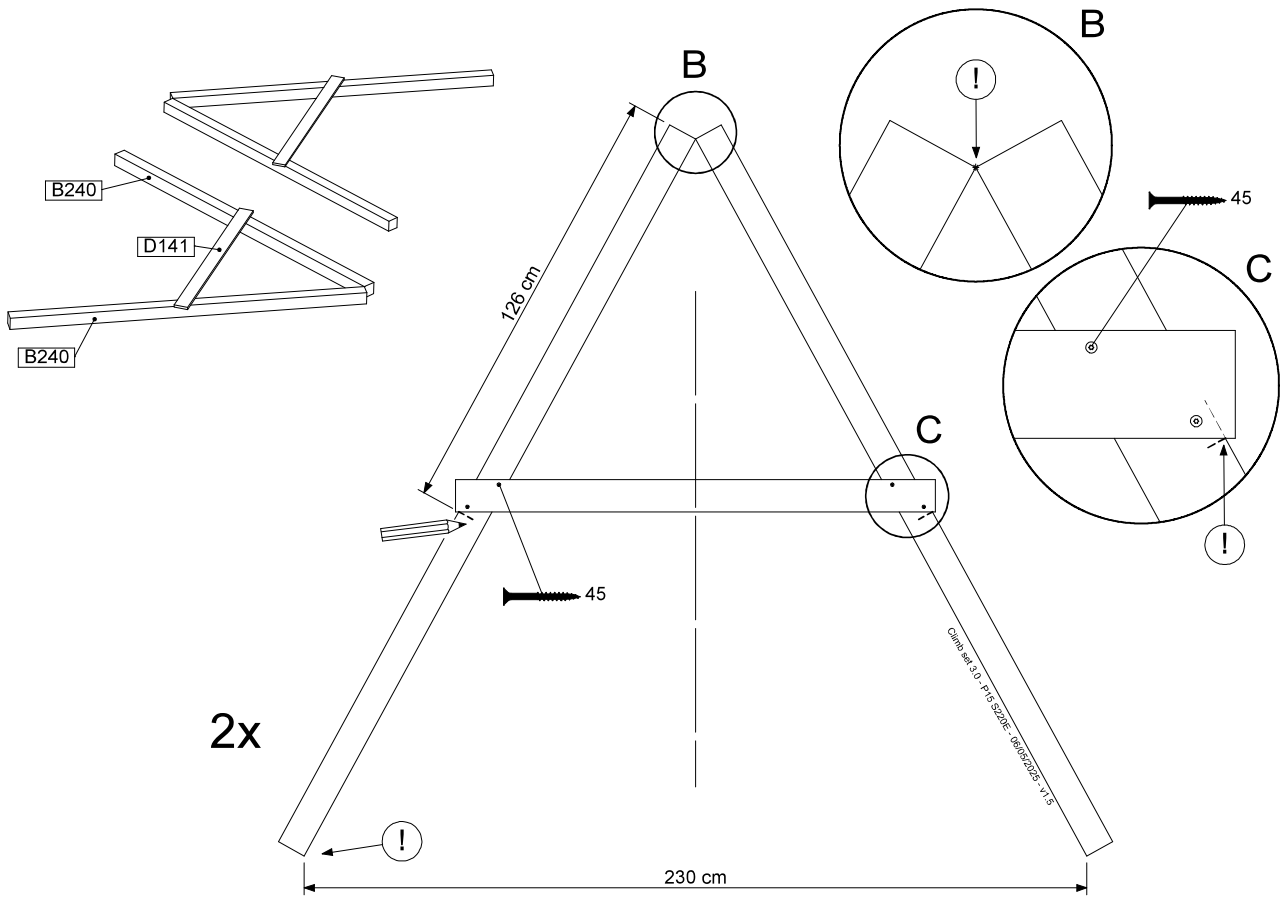
Climb set 3.0 - P08-2C220E - 08/05/2025 - v1.5



Manual ID: 048_067_2612

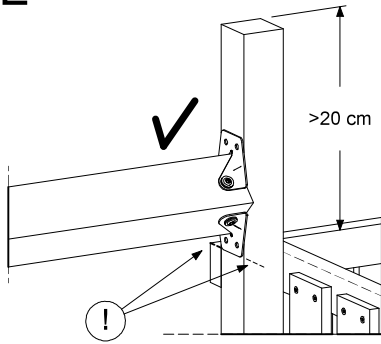


Climb set 3.0 - P12 25220 - 06/05/2025 - v1.5

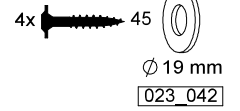
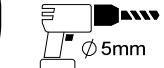
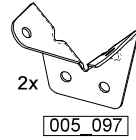
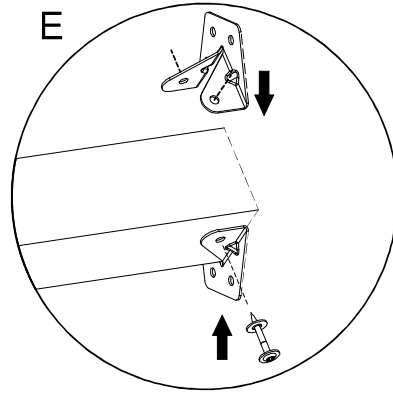


20.4

E

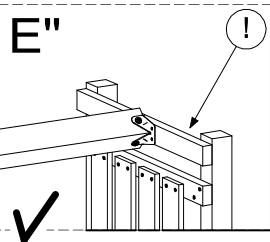
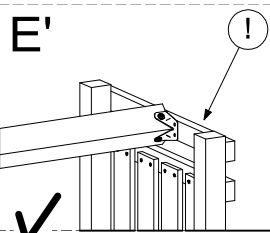
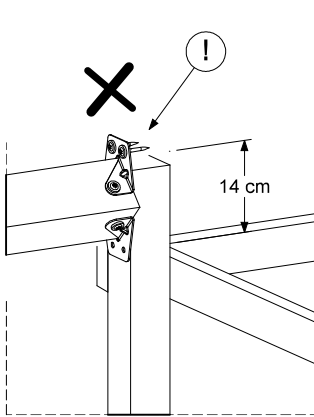


E

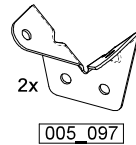
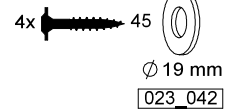
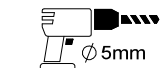
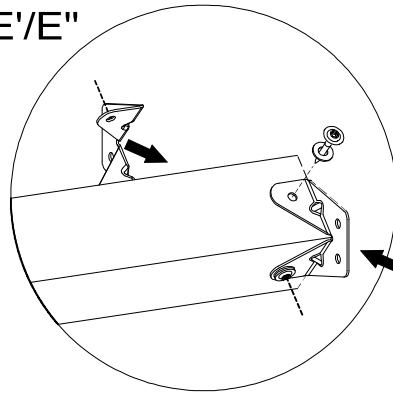


Climb set 3,0 - P23 uni - 06/05/2025 - v1,5

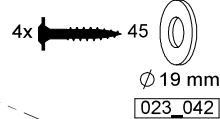
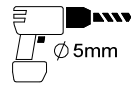
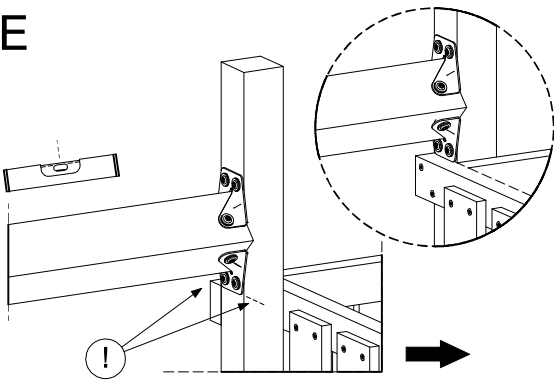
E'/E''



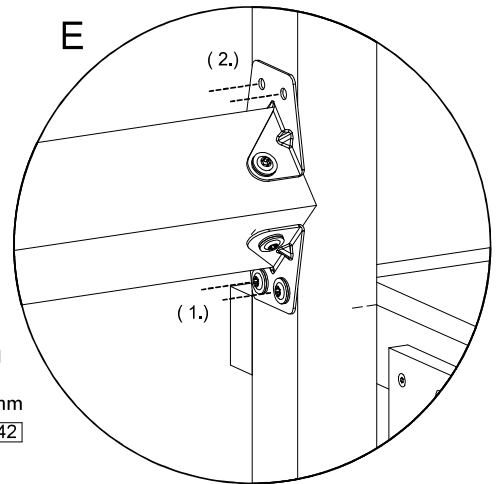
E'/E''



E

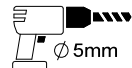
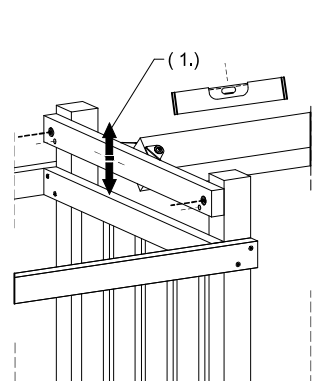


E

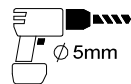
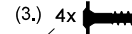


Climb set 3,0 - P23 uni - 06/05/2025 - v1,5

E'/E''



023_042



max. 85 mm



E'

(E'')

