

Assembly instructions

Activity toy to be assembled by adults for outdoor domestic use.

Montageanleitung

Spielgerät, das von Erwachsenen zusammengebaut werden muss, für den häuslichen Außenbereich.

Instructions de montage

Jouet d'activité à assembler par des adultes pour une utilisation extérieure familial.

2

PART

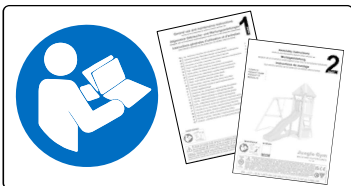
Design code: **oqbQDf**

Product name: **Luxor 1-Climb 3.0**

Product number: **211534**



OWNER MANUAL



3D VIEW

Jungle Gym

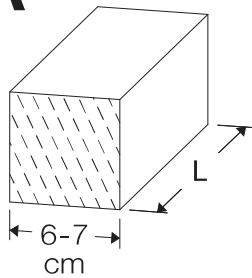
BACKYARD PLAYGROUNDS

since 1988

<p>Assembly time</p> <p>hours by 2 adults v2711</p>	<p> EN. Warnings. Only for domestic use. Maximum number of users is 9. DE. Achtung. Nur für den Hausgebrauch. Maximale Benutzerzahl: 9. FR. Attention. Réserve à un usage familial. Le nombre maximal d'utilisateurs est de 9. BG. Внимание. За употреба само в домашни условия. Максималният брой потребители е 9. CS. Varování. Jen pro domácí použití. Maximální počet uživatelů je 9. DA. Advarsler. Kun til privat brug. Maksimum antal brugere er 9. EL. Προειδοποίησης. Μόνο για οικιακή χρήση. Μέγιστος αριθμός χρηστών 9. ES. Advertencias. Sólo para uso doméstico. Número máximo de usuarios: 9. ET. Hoiatused. Ainult koduseks kasutamiseks. Maksimaalne kasutajate arv on 9. FI. Varoitukset. Ainoastaan kotikäyttöön. Käyttäjää yhteensä enintään 9. HR. Upozorenja. Samo za kućansku uporabu. Maksimalan broj korisnika je 9. HU. Figyelmeztetések. Csak otthoni használatra! A használók max. száma: 9. IS. Varnaðarorð. Eingöngu fyrir einkanotkun í heimahúsum og á einkalöum. Hámarksfjöldi notenda er 9. IT. Avvertenze. Solo per uso domestico. Massimo numero di utenti è 9. LT. Įspėjimai. Tik buitiniam naudojimui. Maksimalus naudotojų skaičius 9. LV. Brīdinājumi. Izmantot tikai mājās. Maksimālais lietotāju skaits ir 9. NL. Waarschuwingen. Uitsluitend voor huishoudelijk gebruik. Het maximale aantal gebruikers is 9. NO. Advarsler. Kun for privat bruk. Maksimalt antall brukere er 9. PL. Ostrzeżenia. Wyłącznie do użytku domowego. Maksymalna liczba użytkowników to 9. PT. Avisos. Apenas para uso doméstico. O número máximo de utilizadores é 9. RO. Avertismente. Numai pentru uz domestic. Numărul maxim de utilizatori este 9. SK. Upozornenia. Iba na domáce použitie. Maximálne množstvo osôb je 9. SL. Opozorila. Samo za domačo uporabo. Maksimalno število uporabnikov je 9. SV. Varningar. Endast för hemmabruk. Det maximala antalet användare är 9.</p>	<p>UK CA CE</p>
--	--	--------------------------------

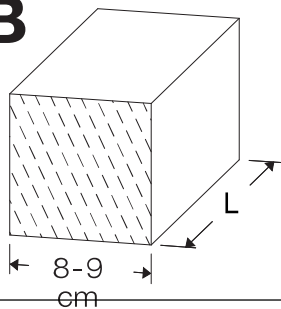
Identifying and inventorying of the individual timber parts
Identifizierung und inventarisieren der der einzelnen Holzteile
Identification et inventorier les pièces en bois individuels

A



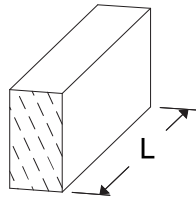
ID	L	#
A220	219 cm - 220 cm	2
A240	239 cm - 240 cm	12

B



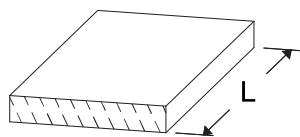
B240	239 cm - 240 cm	1
------	-----------------	---

C



C37	36 cm - 37 cm	3
C56	55 cm - 56 cm	2
C70	69 cm - 70 cm	3
C74	73 cm - 74 cm	10
C84	83 cm - 84 cm	3
C90	89 cm - 90 cm	4
C96	85 cm - 96 cm	4
C114	113 cm - 114 cm	24
C123	122 cm - 123 cm	1
C130	129 cm - 130 cm	2
C141	140 cm - 141 cm	6
C186	185 cm - 186 cm	1

D



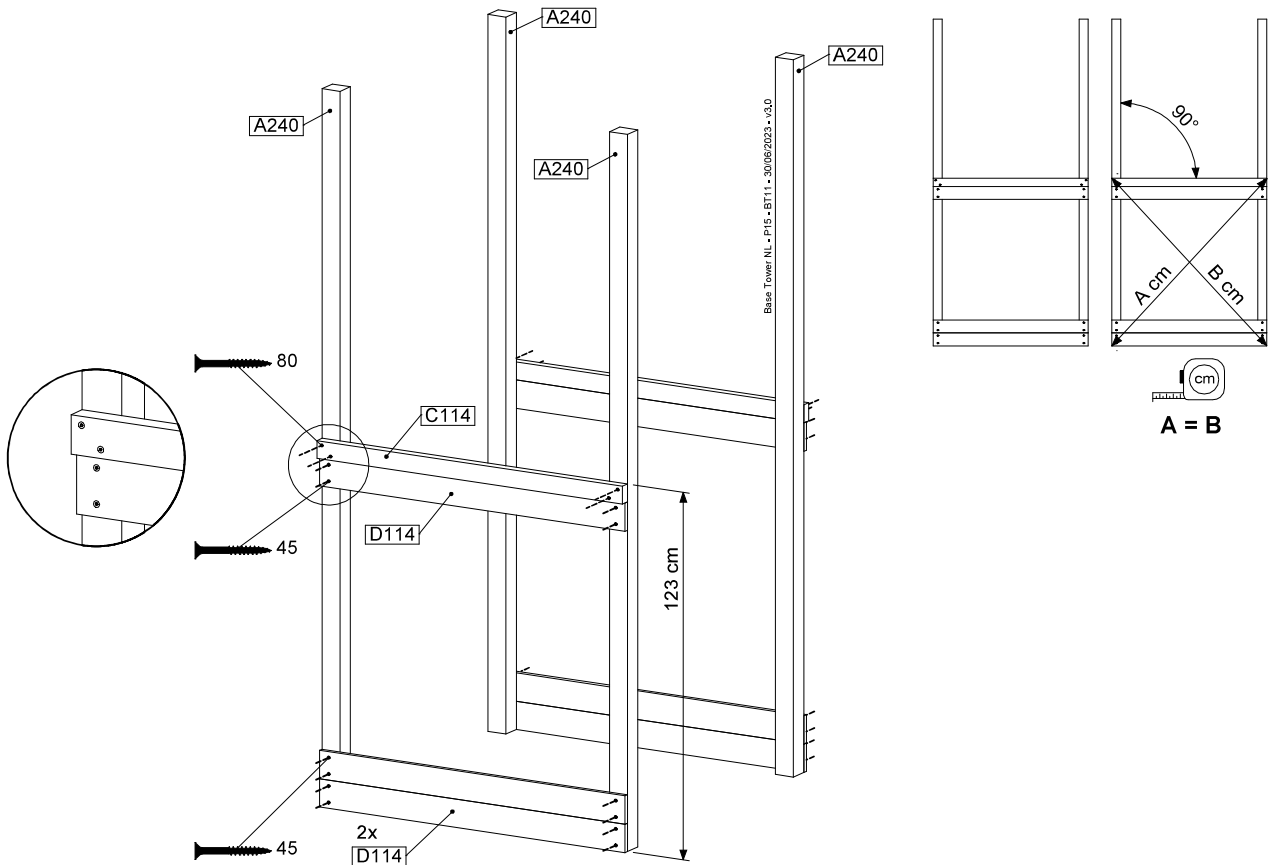
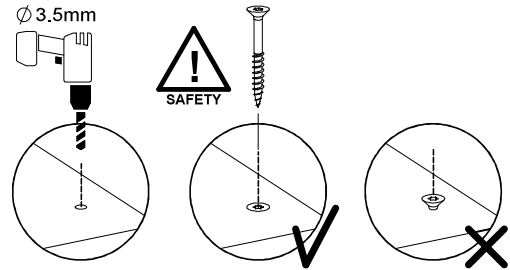
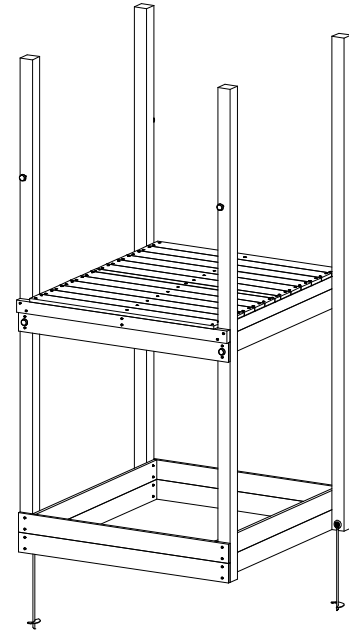
D47	46 cm - 47 cm	1
D60	59 cm - 60 cm	12
D65	64 cm - 65 cm	38
D74	73 cm - 74 cm	2
D100	99 cm - 100 cm	48
D114	113 cm - 114 cm	41
D127	126 cm - 127 cm	48
D141	140 cm - 141 cm	5

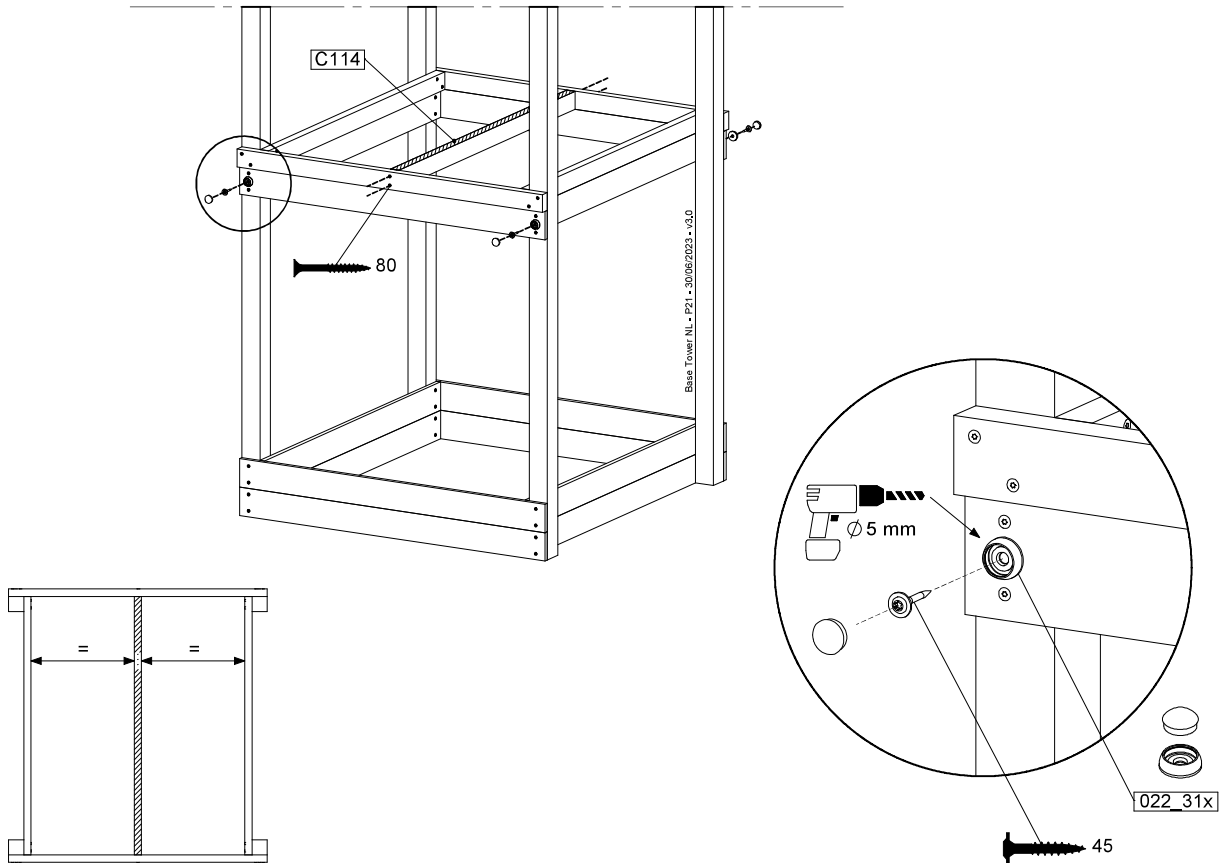
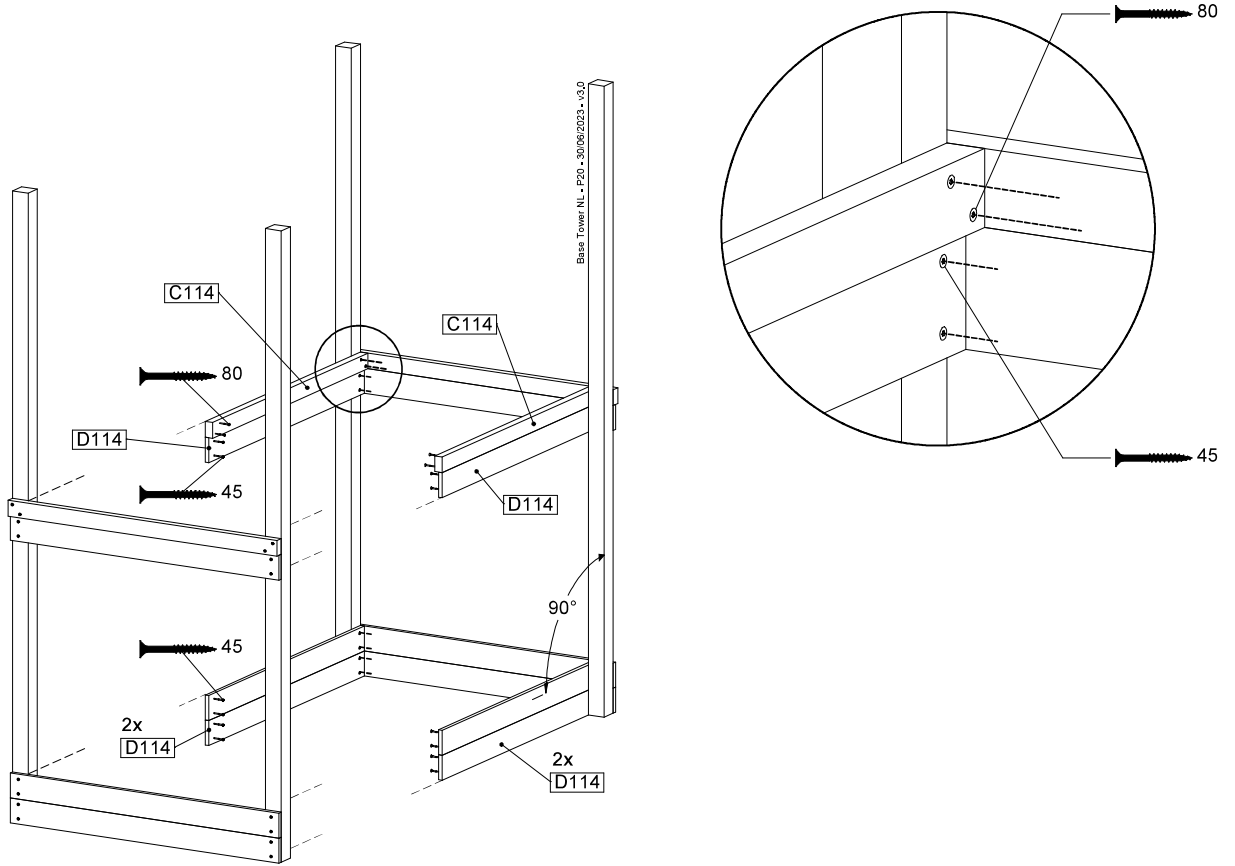
1 BT11a: Base Tower 115 125cm 240240

(194_300)

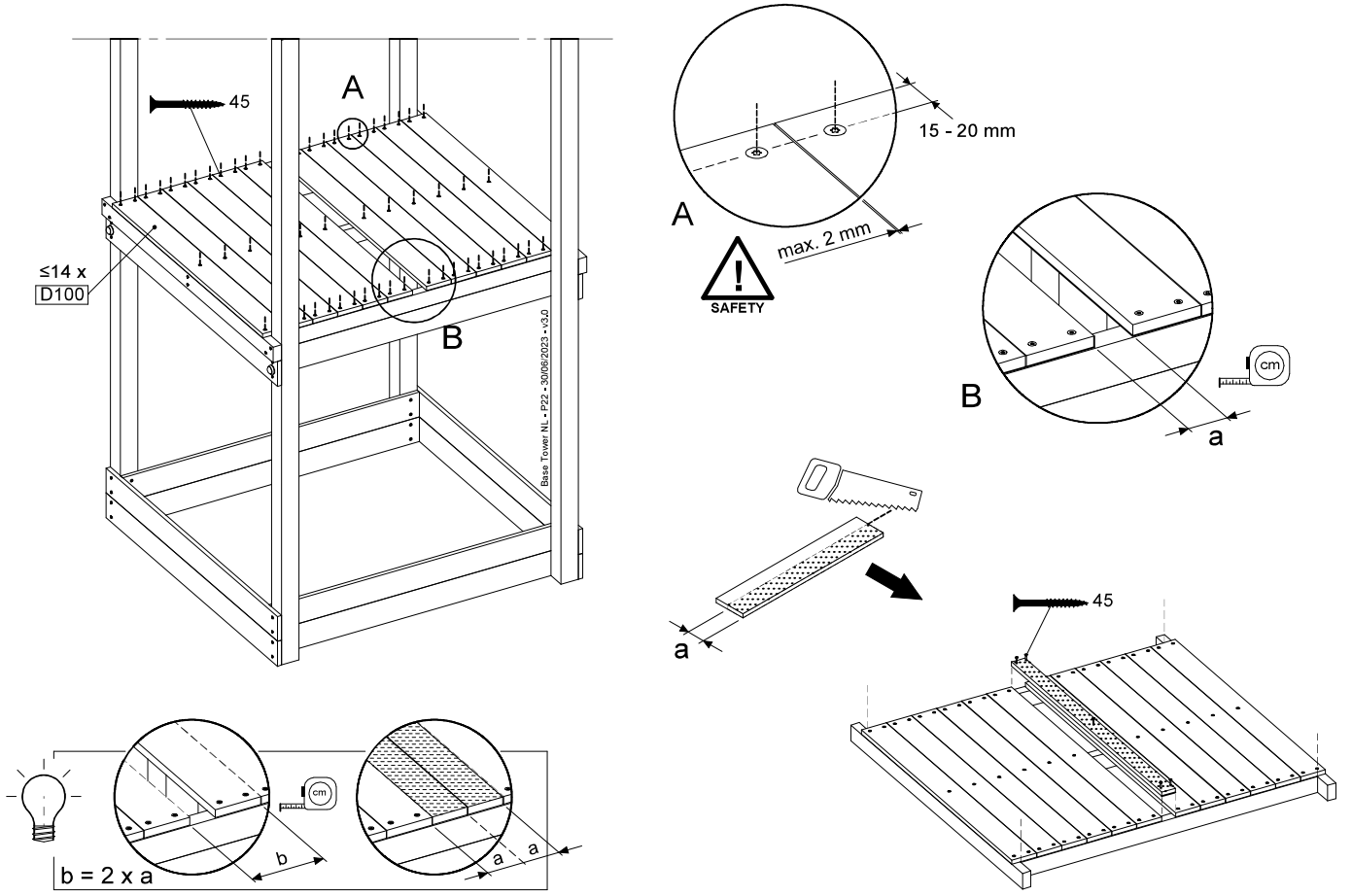
	PartNo	PartName	QTY.
Hardware pack	001_406	Stealth Screw 8x45	6
	001_417	Stealth Screw 8x80	4
	002_220	Gap Point Screw T25 - 5x45	118
	002_223	Gap Point Screw T25 - 5x80	20
	022_31x	bpc-base version 3	8
	022_84x	bpc cover	8
Other	007_001	Ground-anchor	2
Timber	A240	Post 70x70 L2400	4
	C114	Beam 1140 mm	5
	D100	Board 1000 mm	14
	D114	Board 1140 mm	12

Base Tower NL - P15 - BT11 - 30062023 - v2.0





1.2

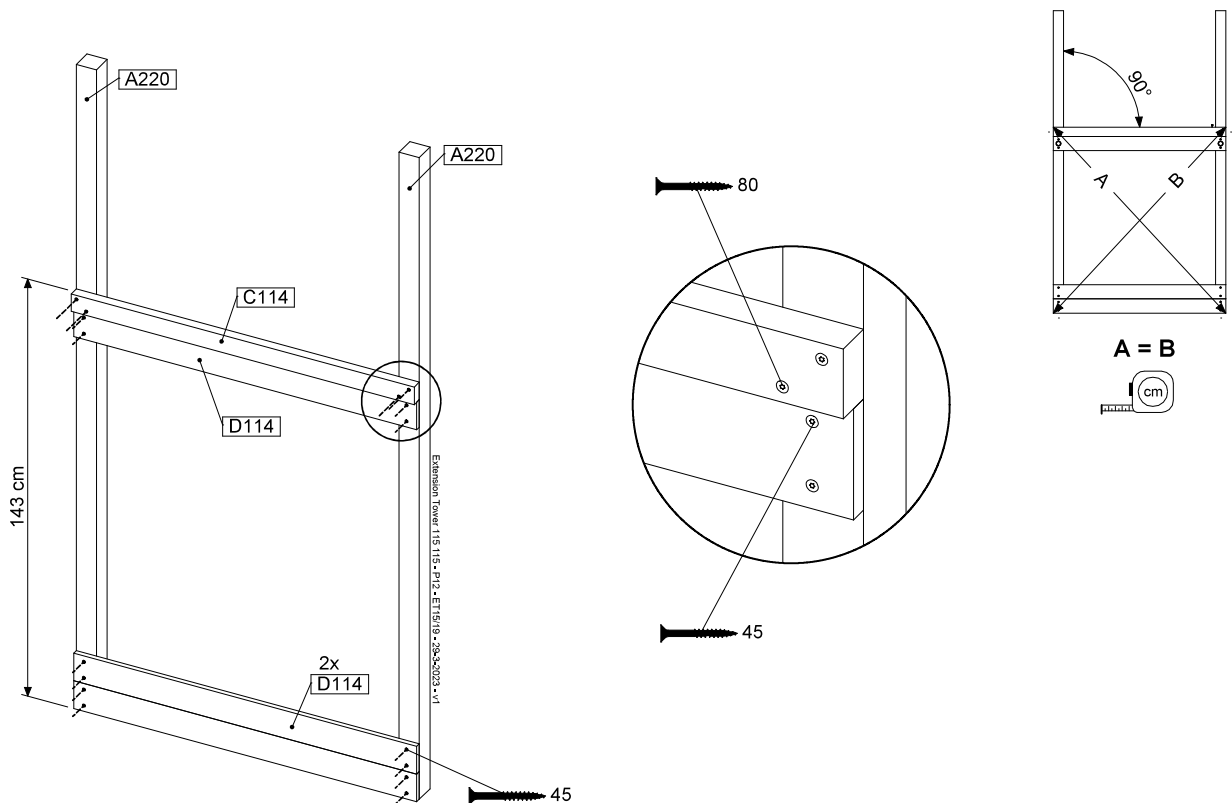
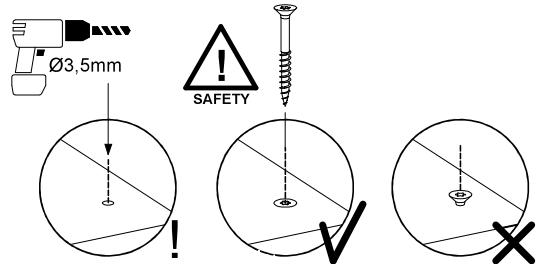
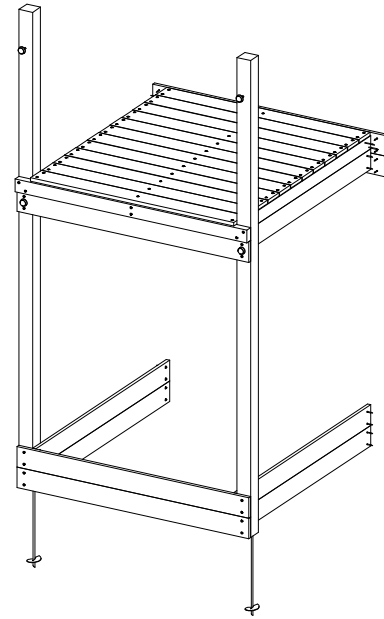


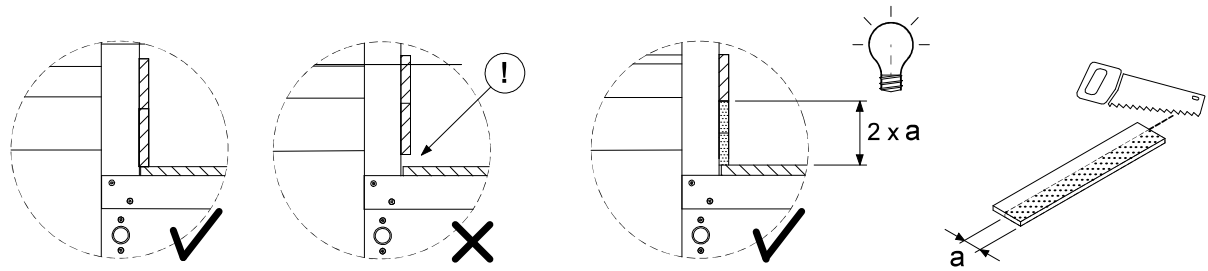
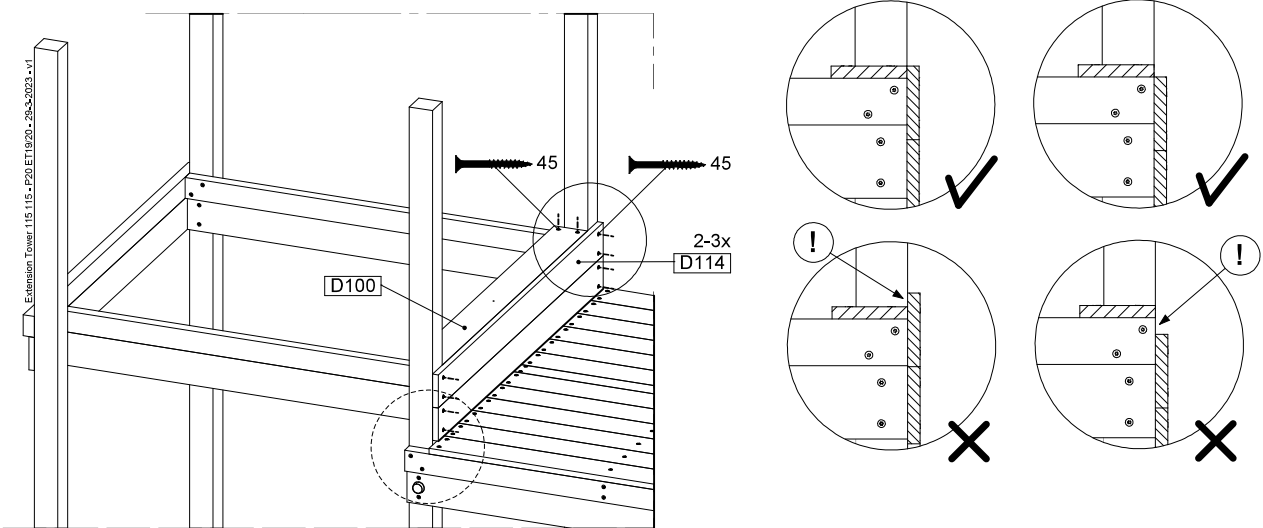
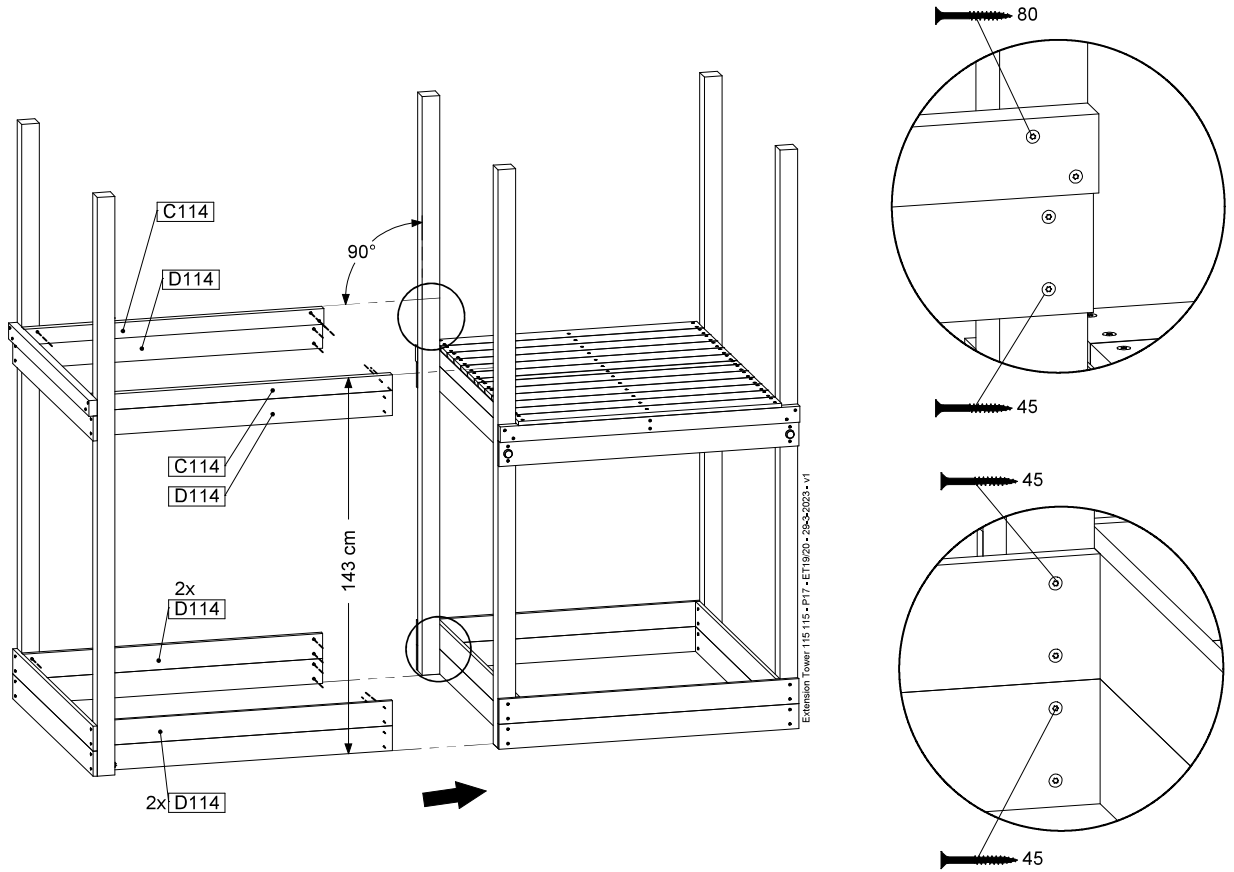
2 ET19a: Extension Tower 115 220/145

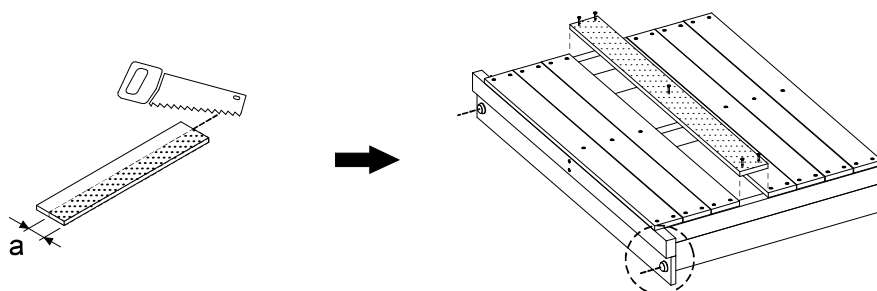
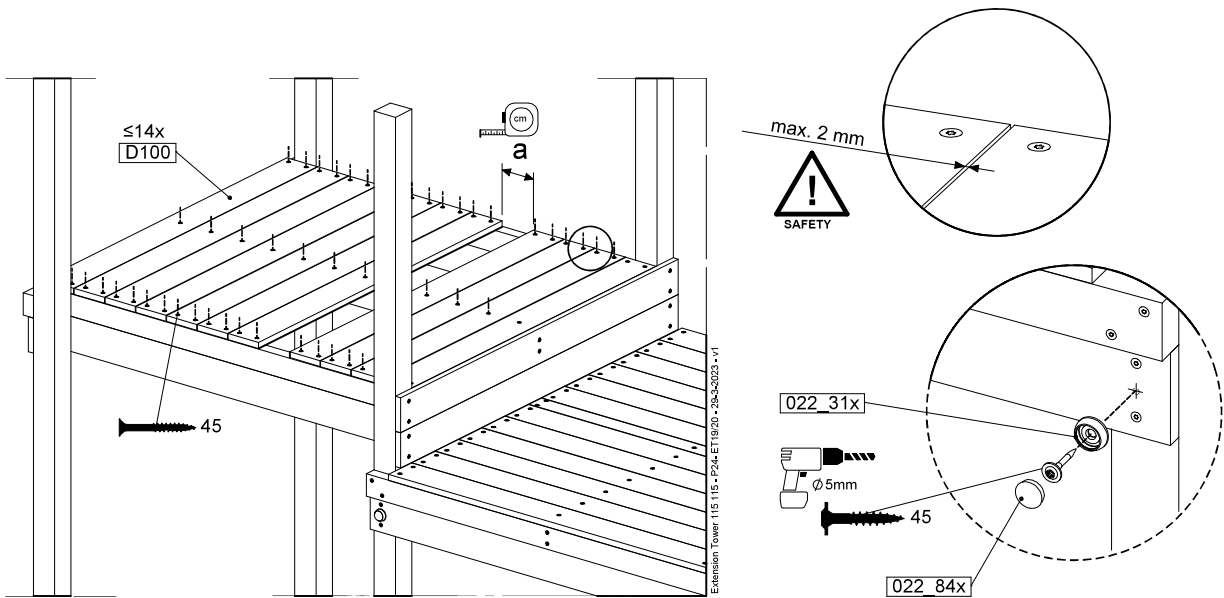
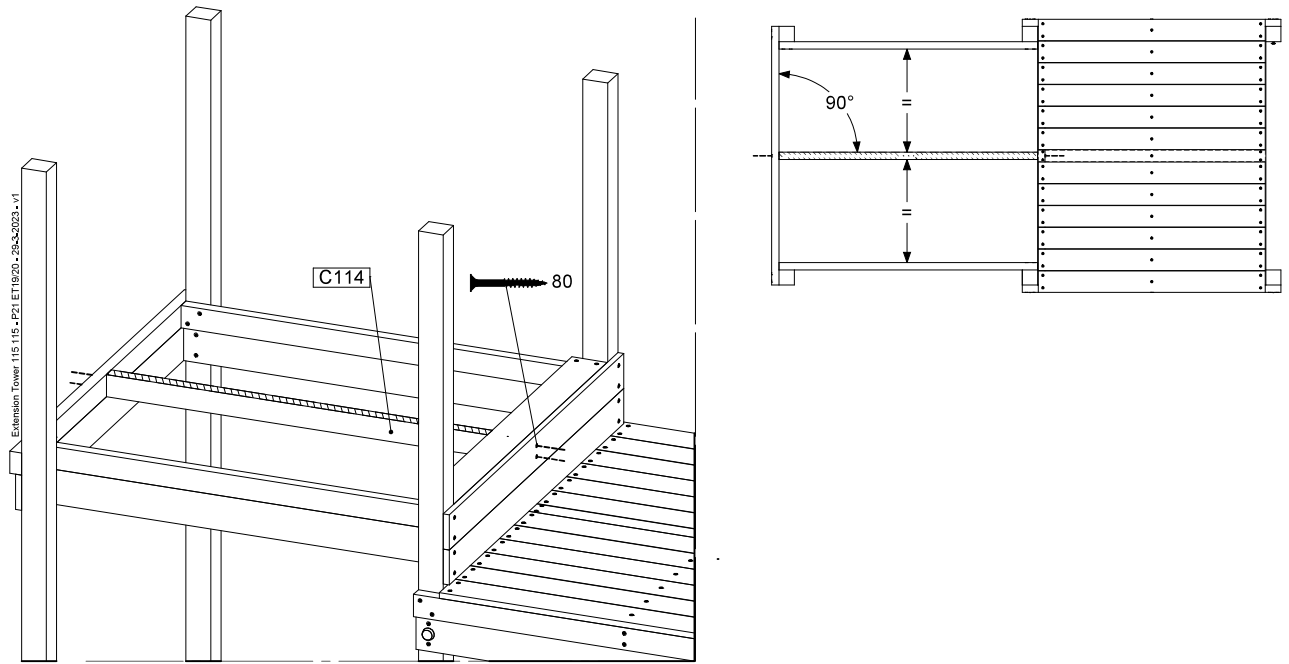
(194_300)

	PartNo	PartName	QTY.
Hardware pack	001_406	Stealth Screw 8x45	4
	001_417	Stealth Screw 8x80	2
	002_220	Gap Point Screw T25 - 5x45	118
	002_223	Gap Point Screw T25 - 5x80	16
Other	007_001	Ground-anchor	2
	022_31x	bpc-base version 3	4
	022_84x	bpc cover	4
Timber	A220	Post 70x70 L2200	2
	C114	Beam 1140 mm	4
	D100	Board 1000 mm	14
	D114	Board 1140 mm	12

Extension Tower 115 115 - P12 - ET19 - 28-5-2023 - v1





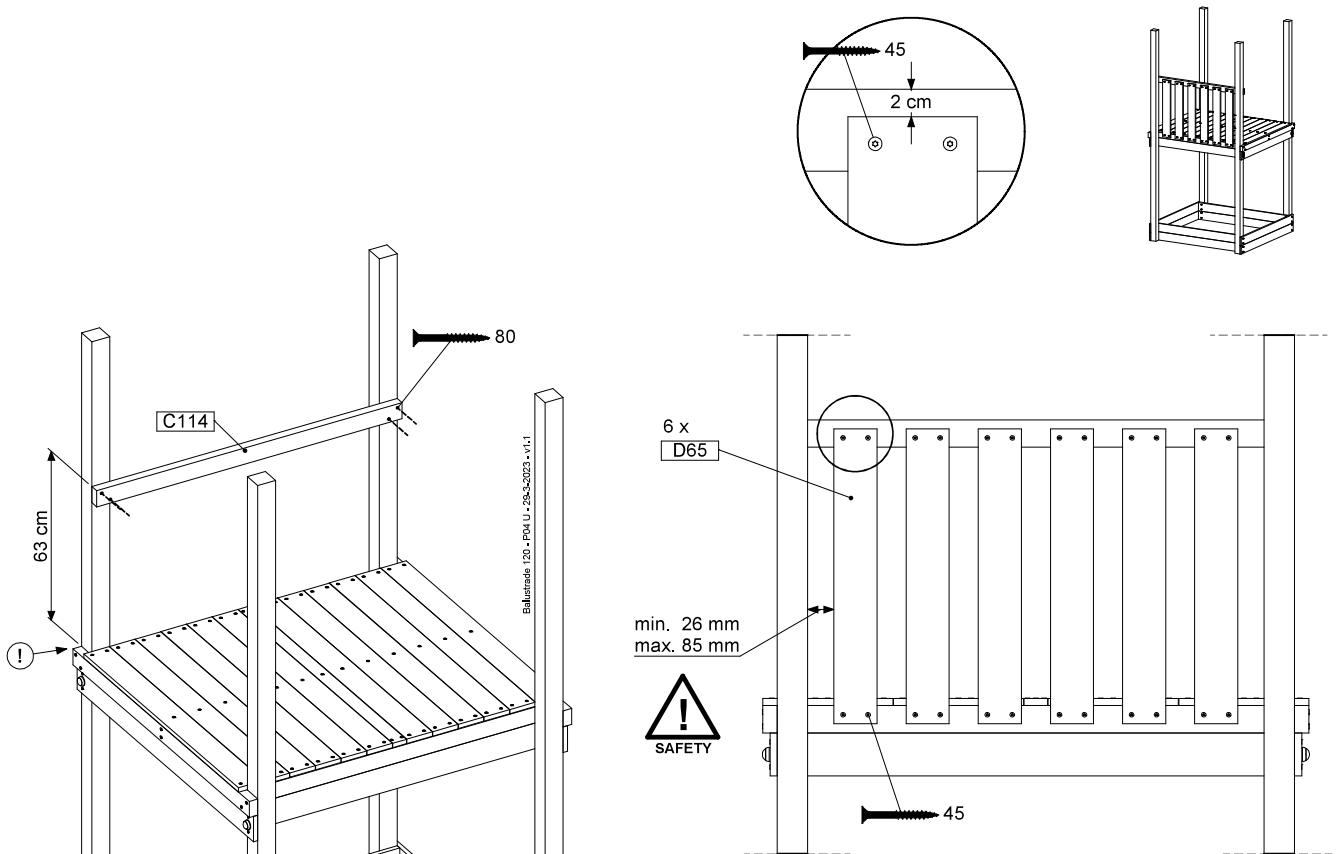
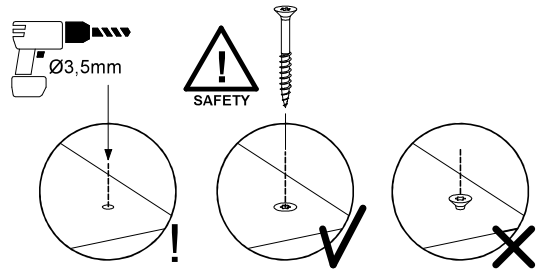
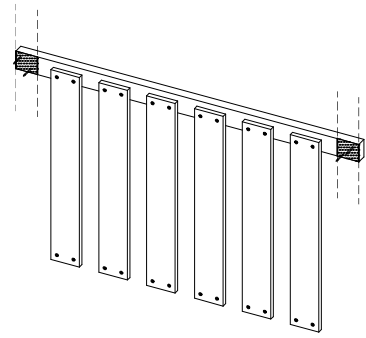


3 BL03a: Balustrade 115 U

(194_501)

	PartNo	PartName	QTY.
Hardware Pack	002_220	Gap Point Screw T25 - 5x45	24
	002_223	Gap Point Screw T25 - 5x80	4
Timber	C114	Beam 1140 mm	1
	D65	Board 650 mm	6

Balustrade 120 - F02 U - 29-S-2023 - v1.1

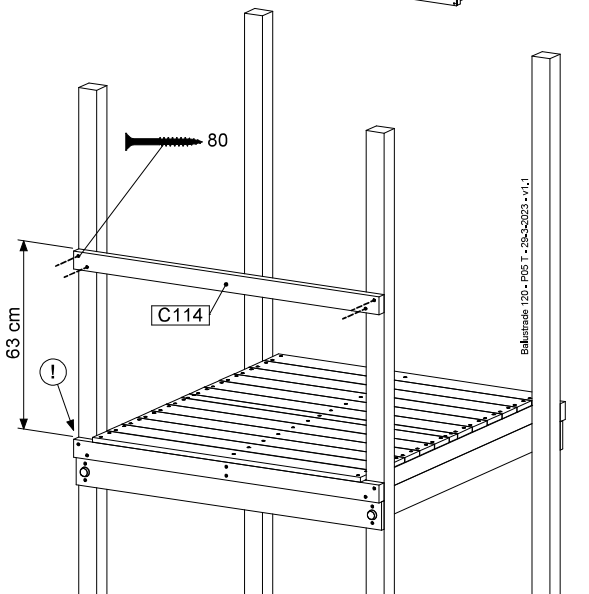
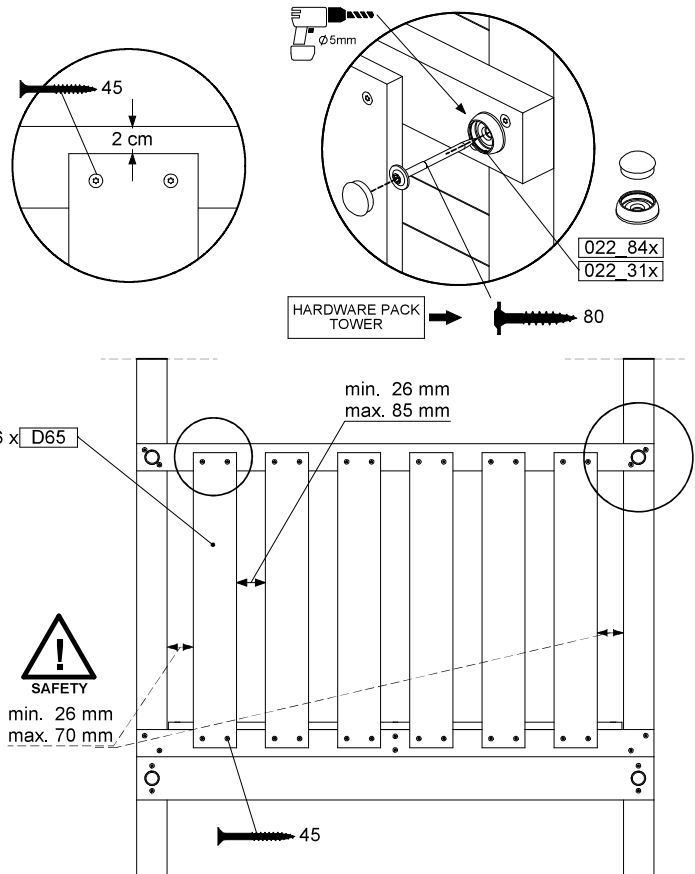
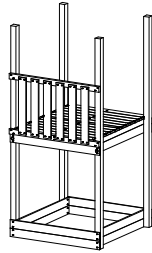
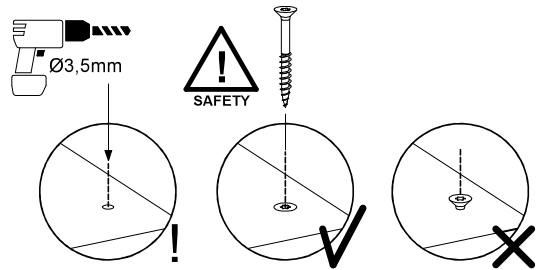
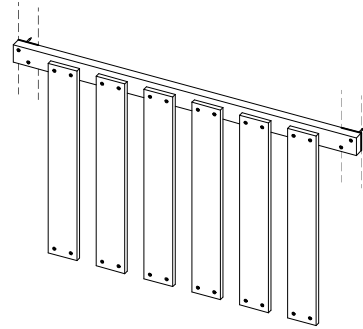


4 BL04a: Balustrade 115 T

(194_501)

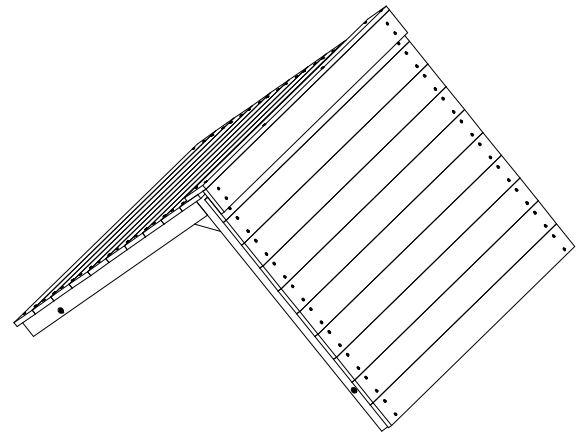
	PartNo	PartName	QTY.
Hardware Pack	002_220	Gap Point Screw T25 - 5x45	24
	002_223	Gap Point Screw T25 - 5x80	4
Timber	C114	Beam 1140 mm	1
	D65	Board 650 mm	6

Balustrade 120 - F03 T - 20-3-2023 - v1.1



Balustrade 120 - F03 T - 20-3-2023 - v1.1

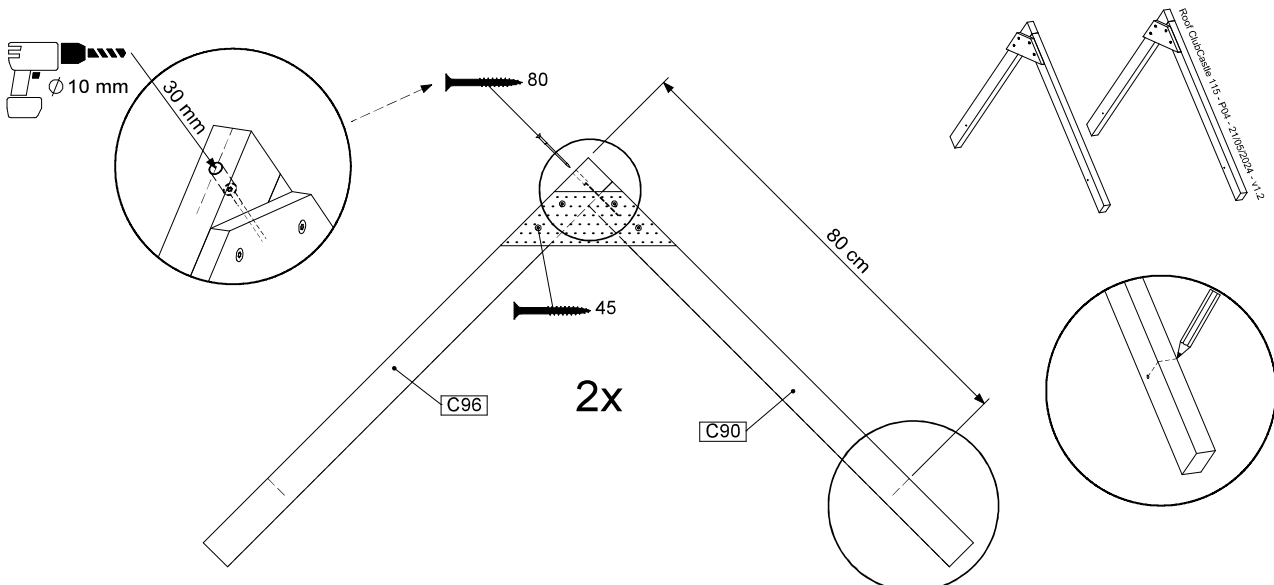
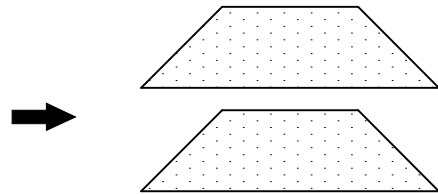
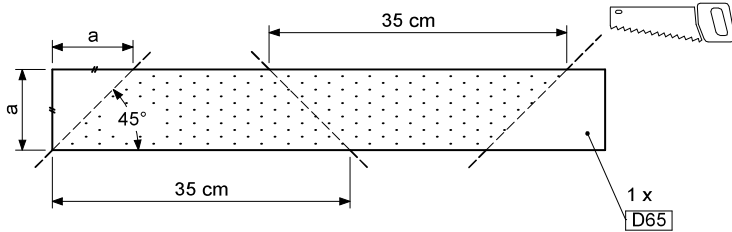
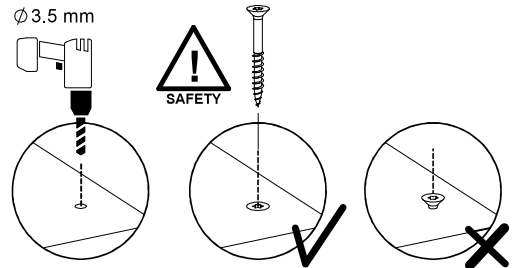
5 RF08a: Roof Timber Gable 115



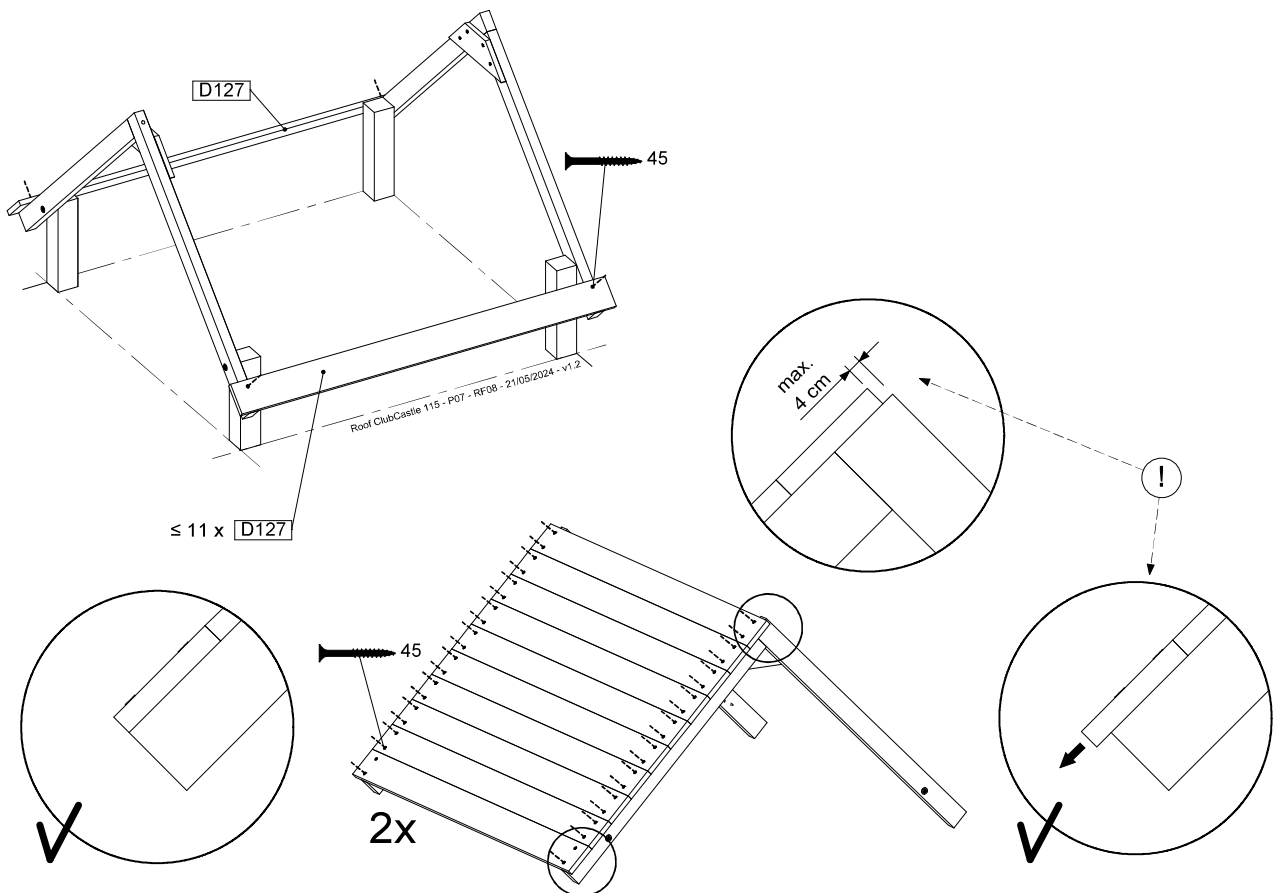
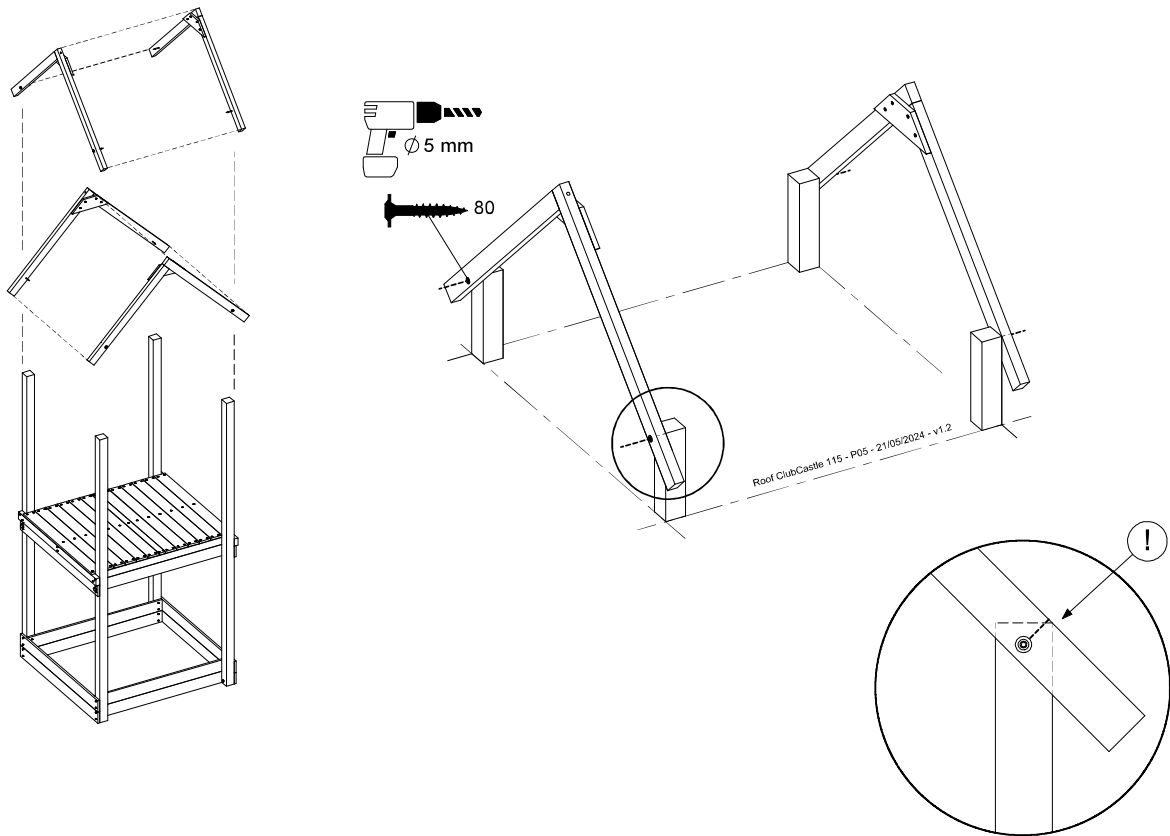
Assembly Pack: 194_308 / 194_804

	PartNo	PartName	QTY.
Hardware Pack	001_417	Stealth Screw 8x80	4
	002_220	Gap Point Screw T25 - 5x45	100
	002_223	Gap Point Screw T25 - 5x80	8
Timber	C96	Beam 960 mm	2
	D65	Board 650 mm	1
	D127	Board 1270 mm	24
	C90	Beam 900 mm	2

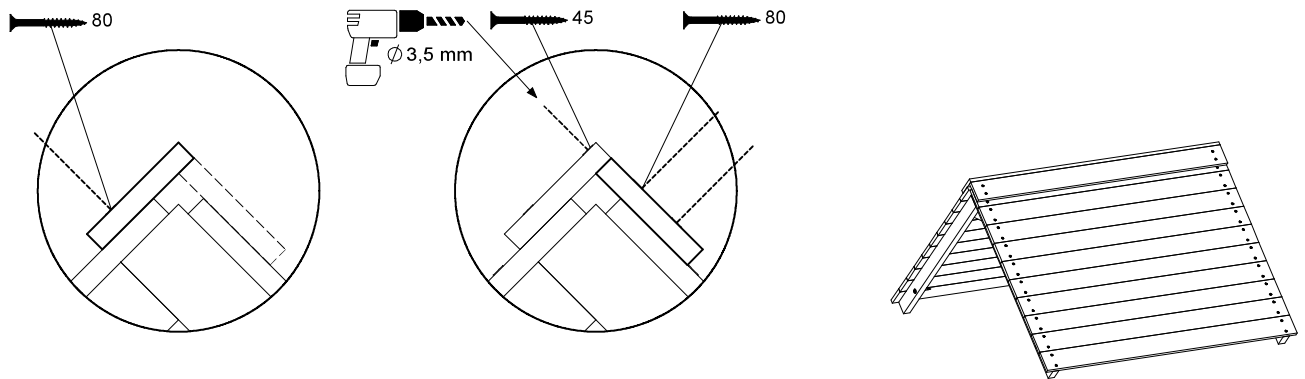
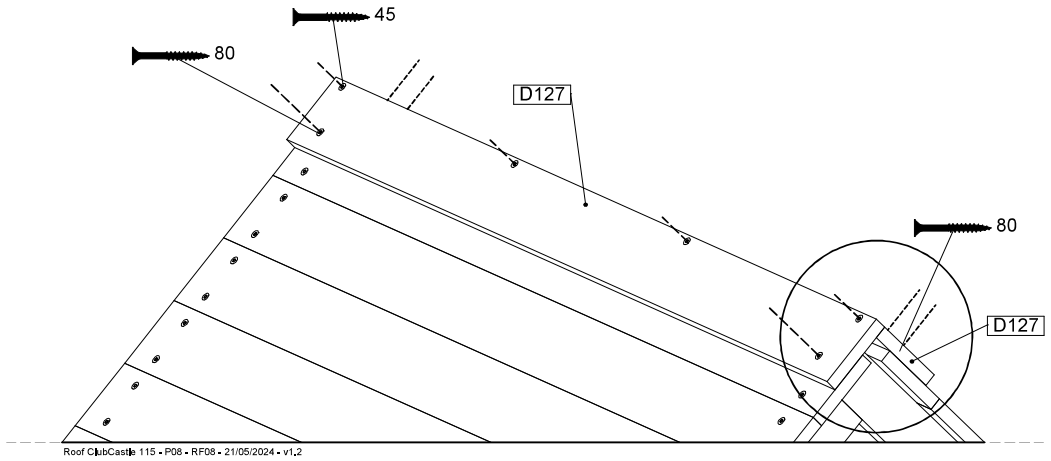
Roof ClubGable 115 - P03 - RF08 - 21/05/2024 - v1.2



5.1



5.2

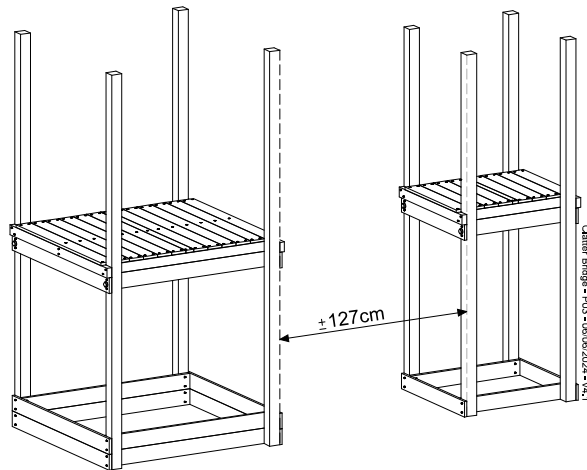
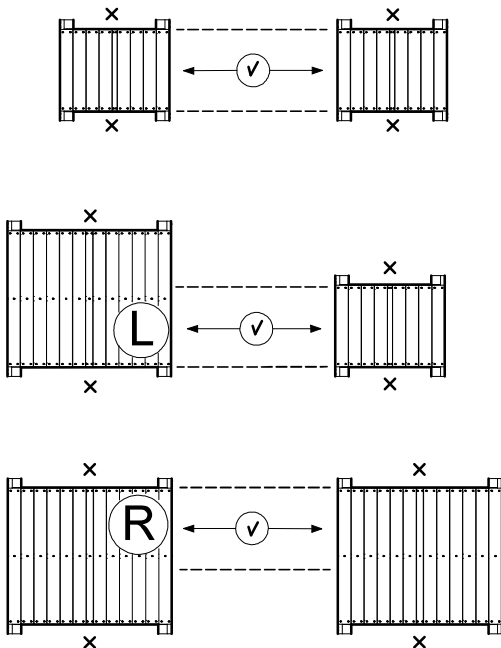
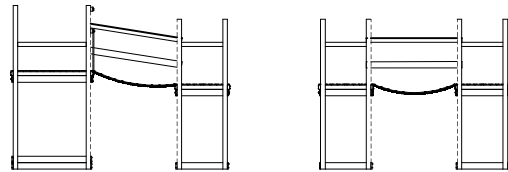
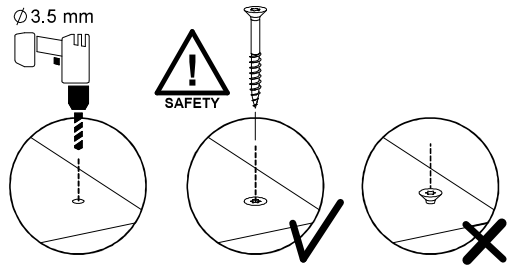
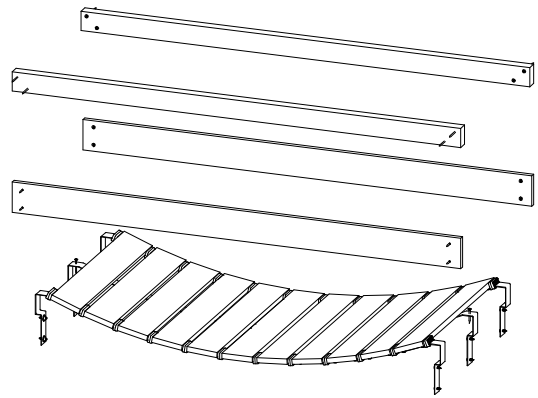


6 CB01a: Clatter Bridge - PART 1

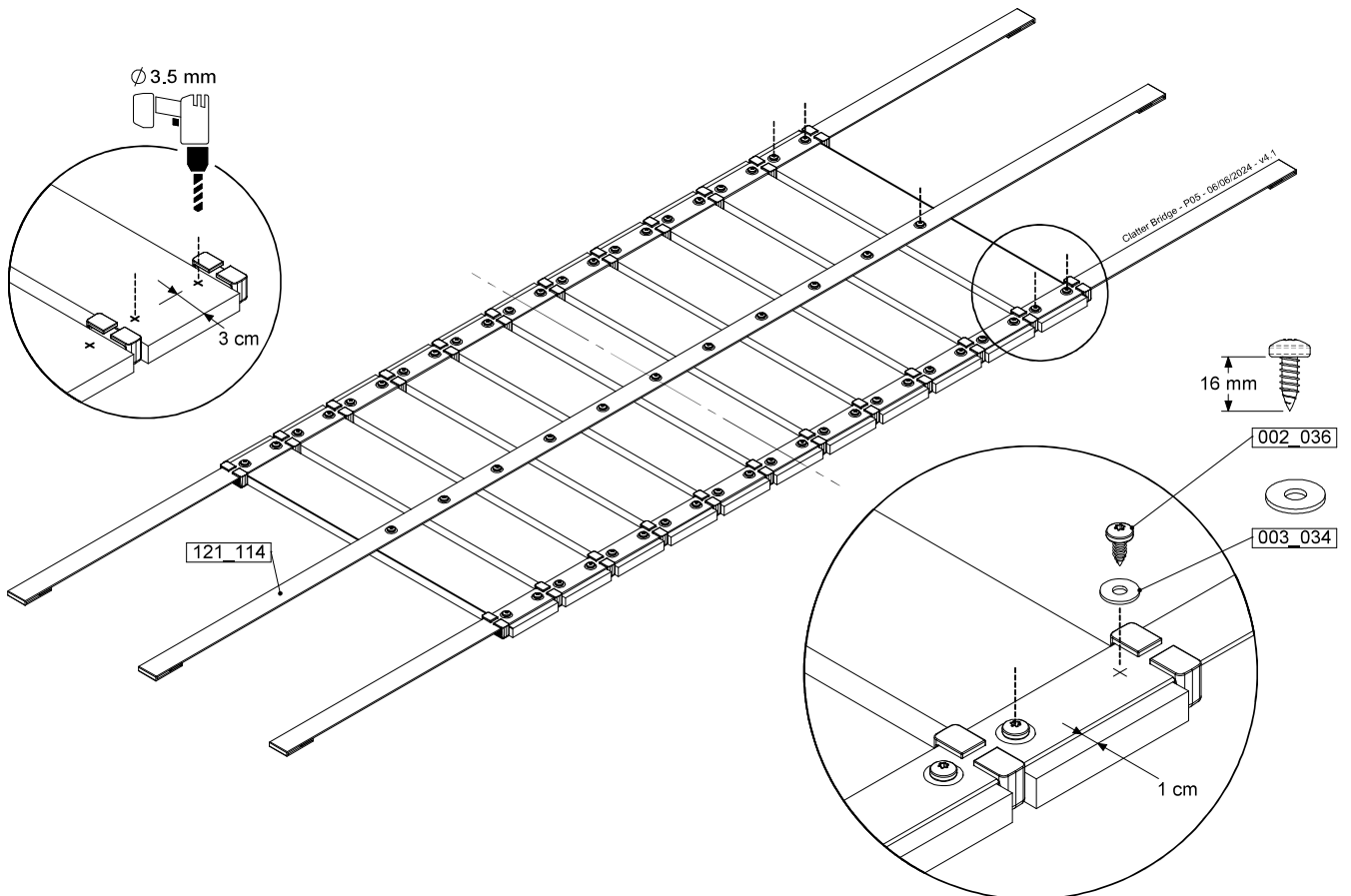
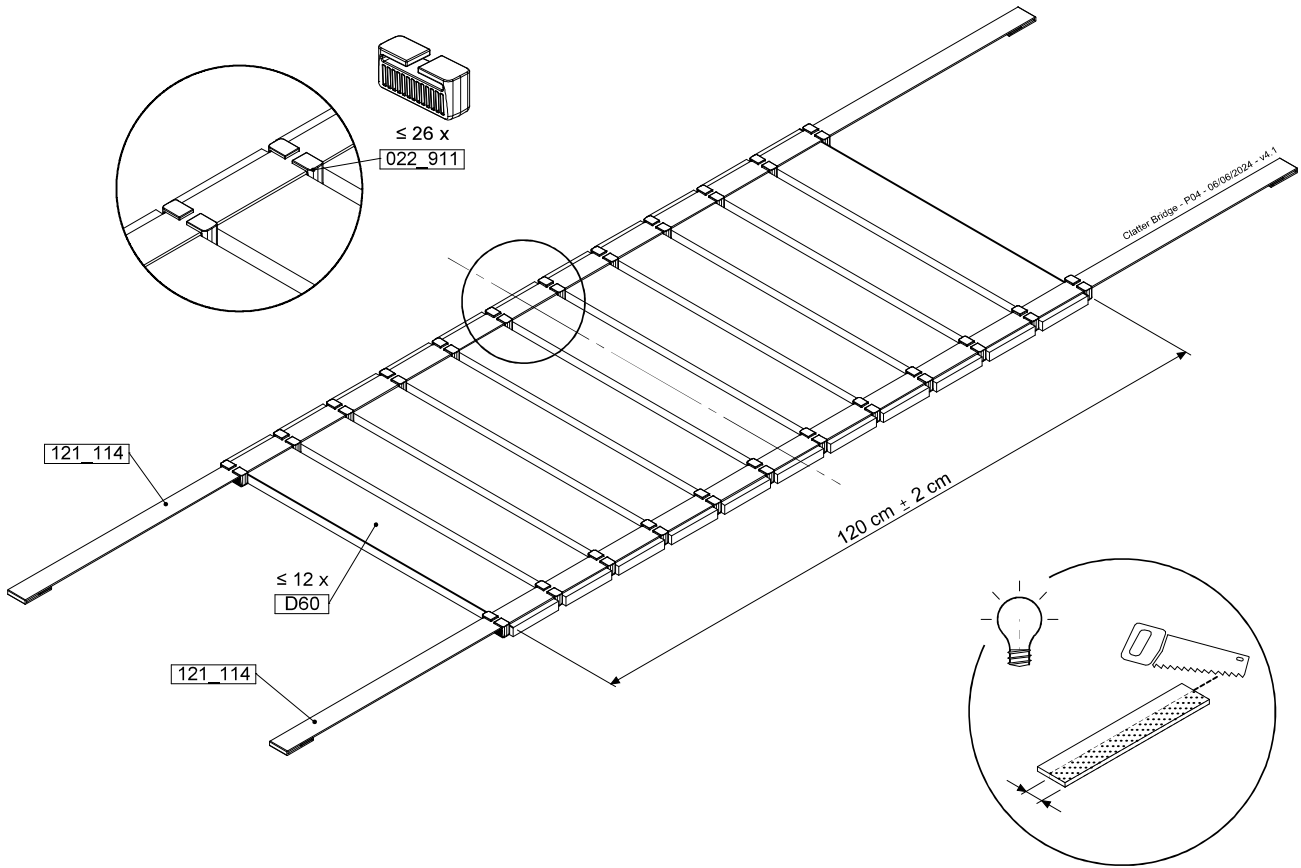
Assembly Pack: 194_116

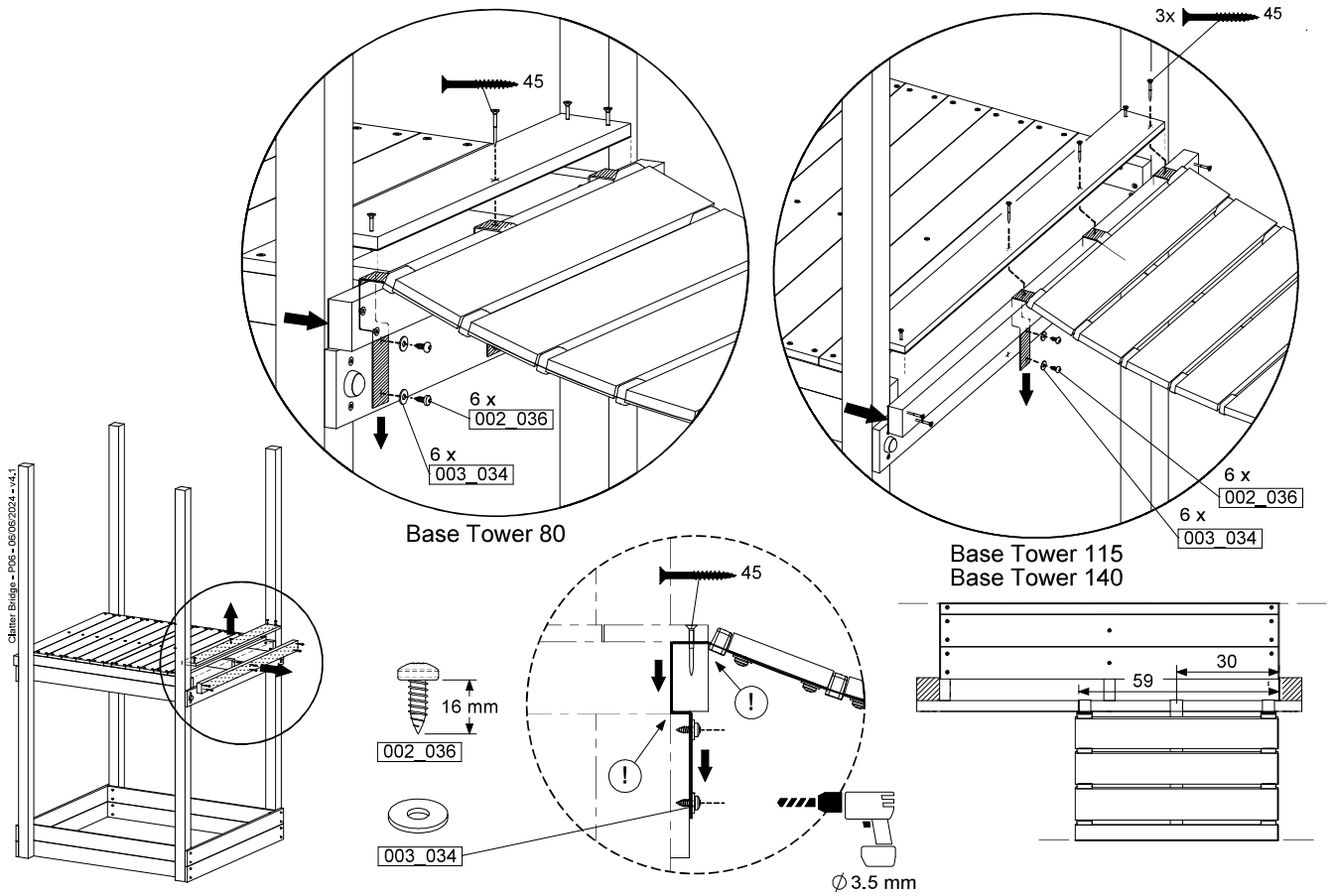
	PartNo	PartName	QTY.
Hardware + Parts	002_036	16mm Pan Head Tapping Screw T25	72
	002_220	Gap Point Screw T25 - 5x45	10
	002_223	Gap Point Screw T25 - 5x80	12
	003_034	M6 Washer	72
	022_911	Bridge Spacer	26
	121_114	BridgeLink Strap 210cm	3
Timber	C141	Beam 1410 mm	2
	D60	Board 600 mm	12
	D141	Board 1410 mm	2

Clatter Bridge - P02 - 06/06/2024 - v4.1



6.1



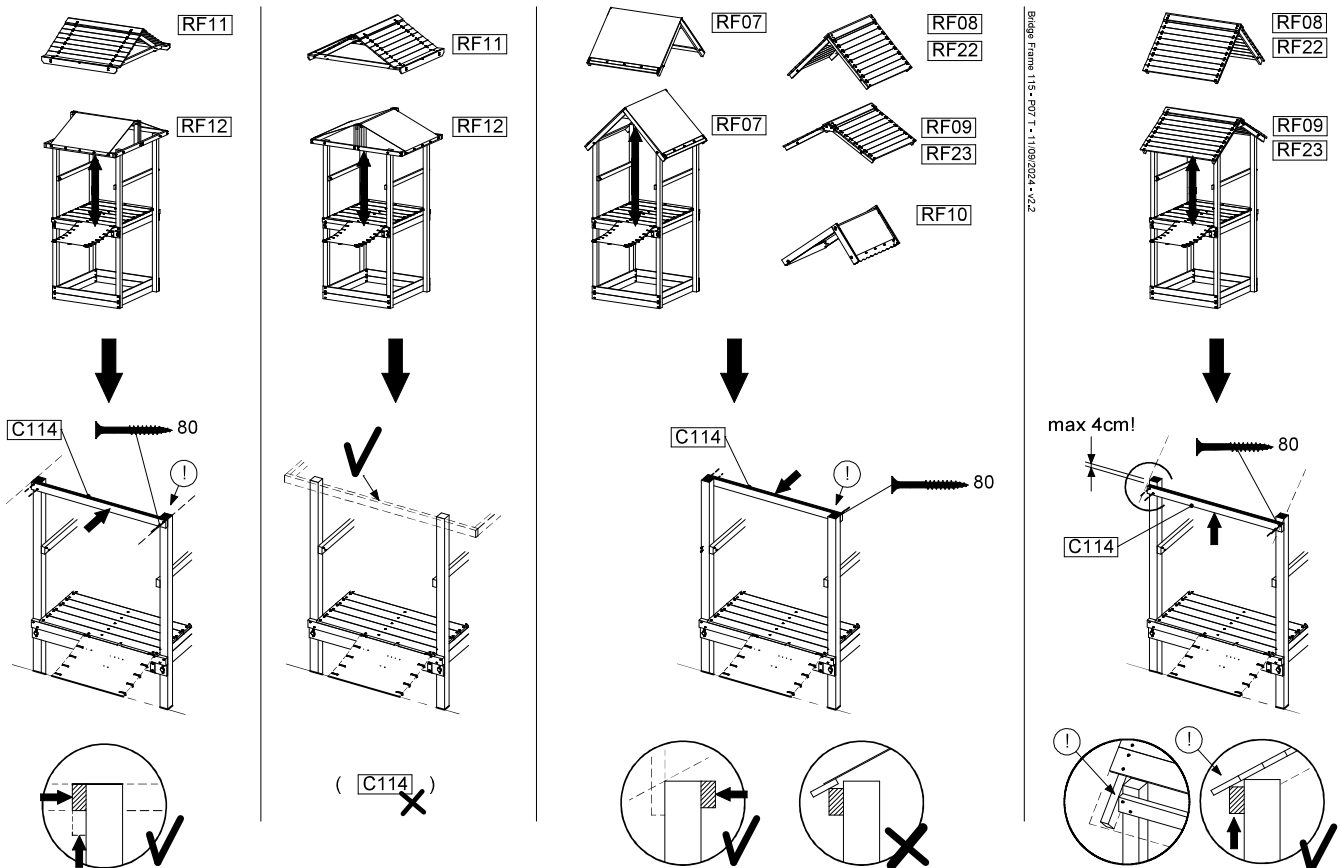
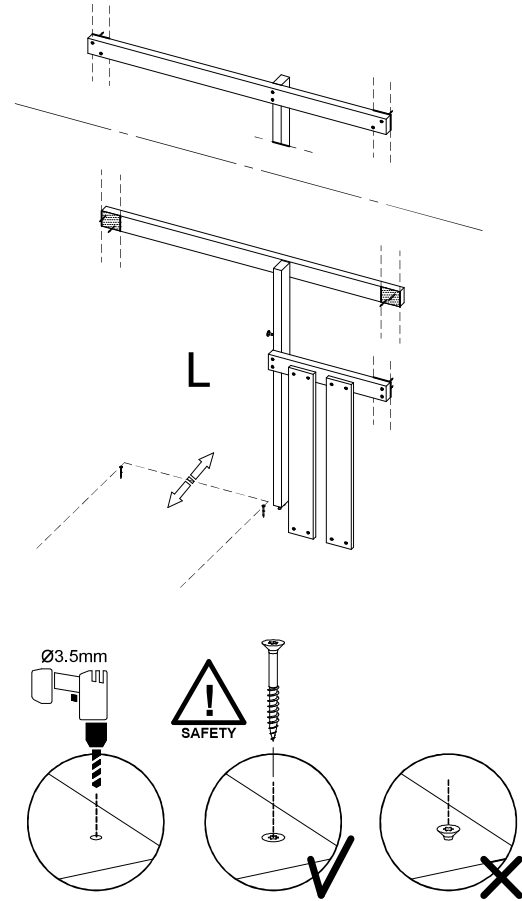


7 BF03a: Bridge Frame 115 T Left

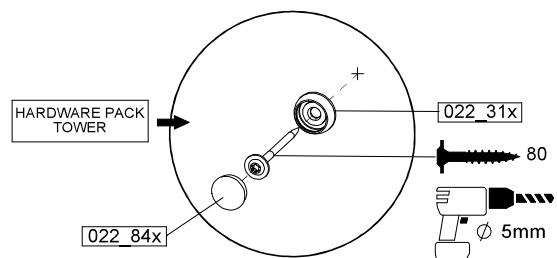
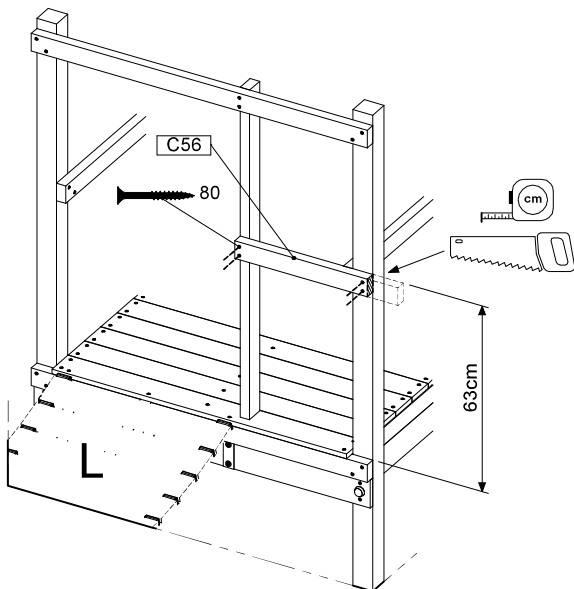
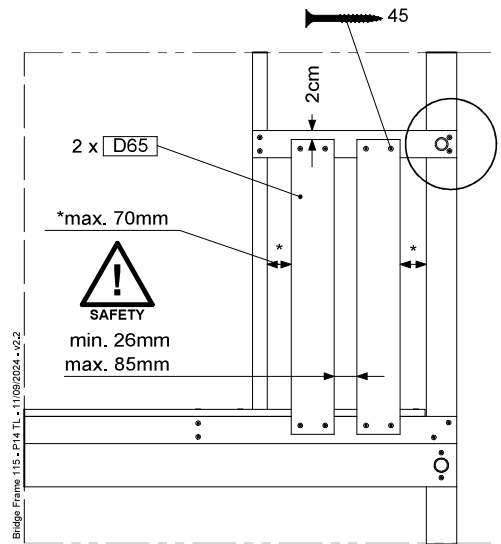
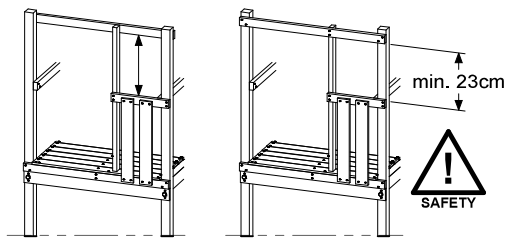
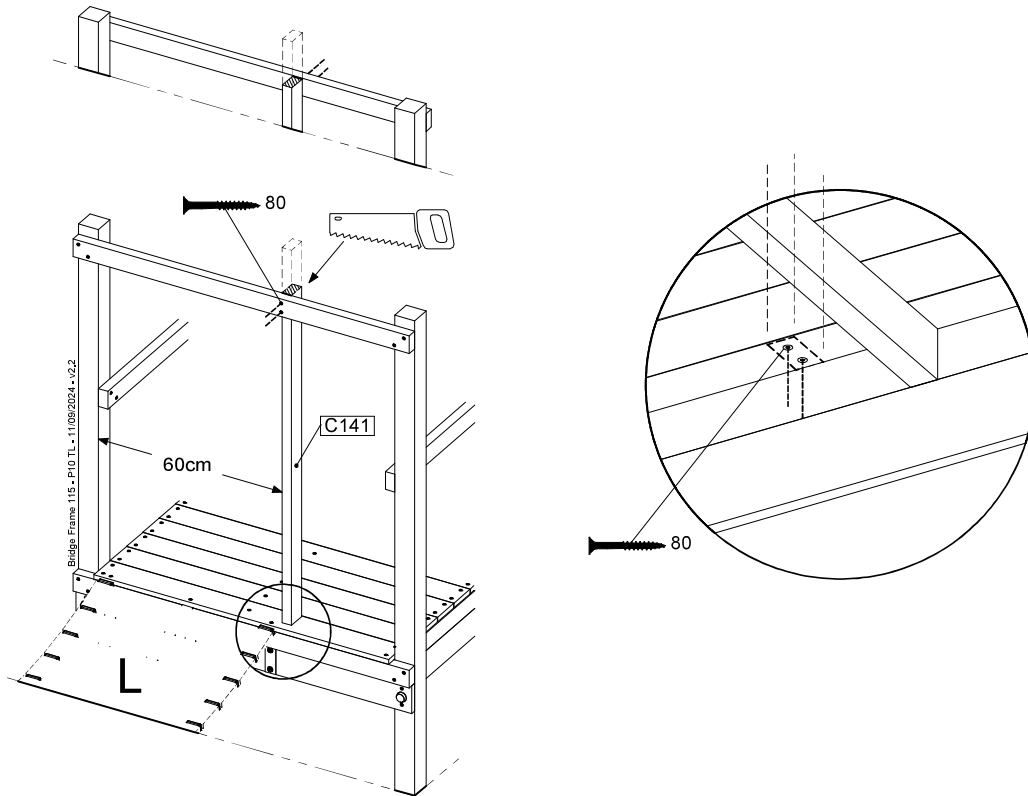
Assembly Pack: 194_007 (a) / 194_802(b)

	PartNo	PartName	QTY.
Hardware + Parts	001_411	Stealth Screw 8x60	1
	002_220	Gap Point Screw T25 - 5x45	10
	002_223	Gap Point Screw T25 - 5x80	12
Timber	C56	Beam 560 mm	1
	C114	Beam 1140 mm	1
	C141	Beam 1410 mm	1
	D65	Board 650 mm	2

Bridge Frame 115 - RF04 TL - 11/09/2024 - v02



Bridge Frame 115 - RF07 L - 11/09/2024 - v02

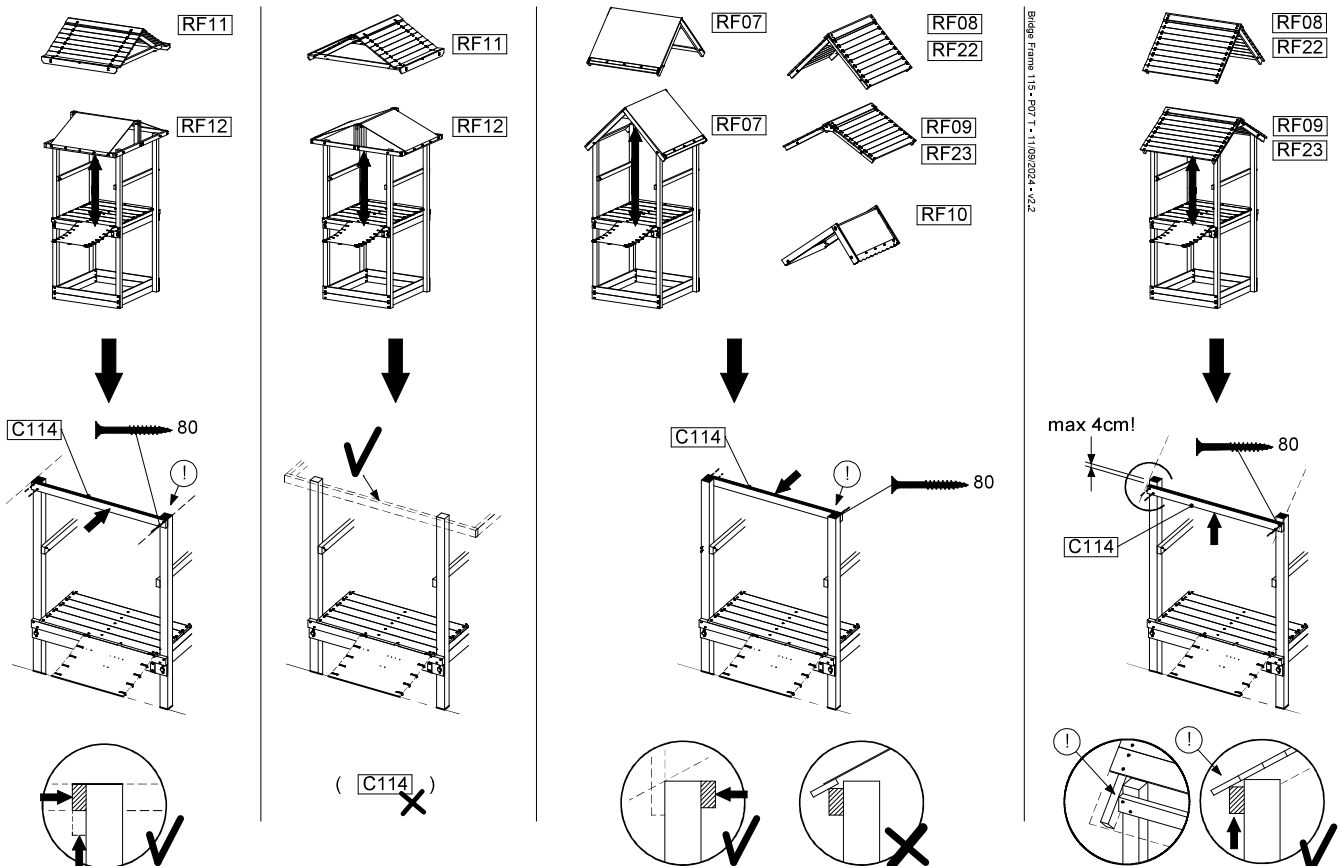
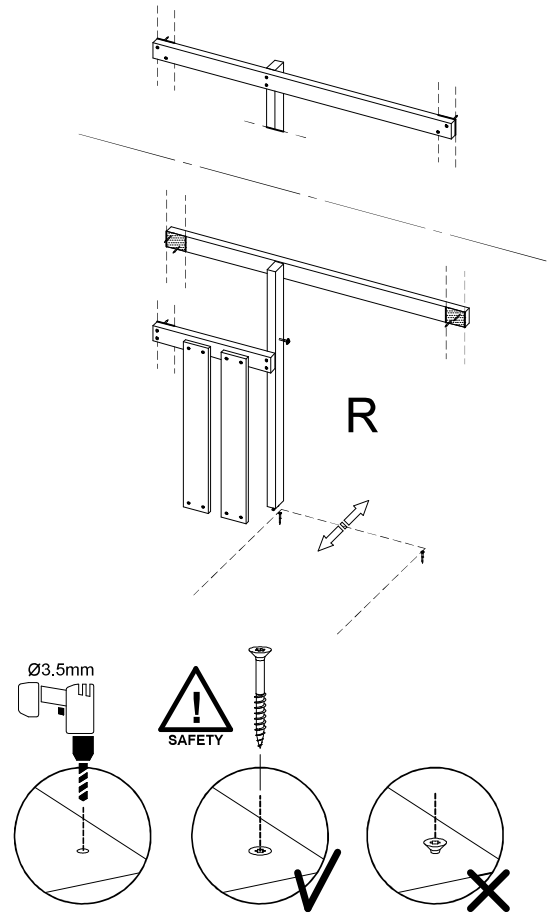


8 BF04a: Bridge Frame 115 T Right

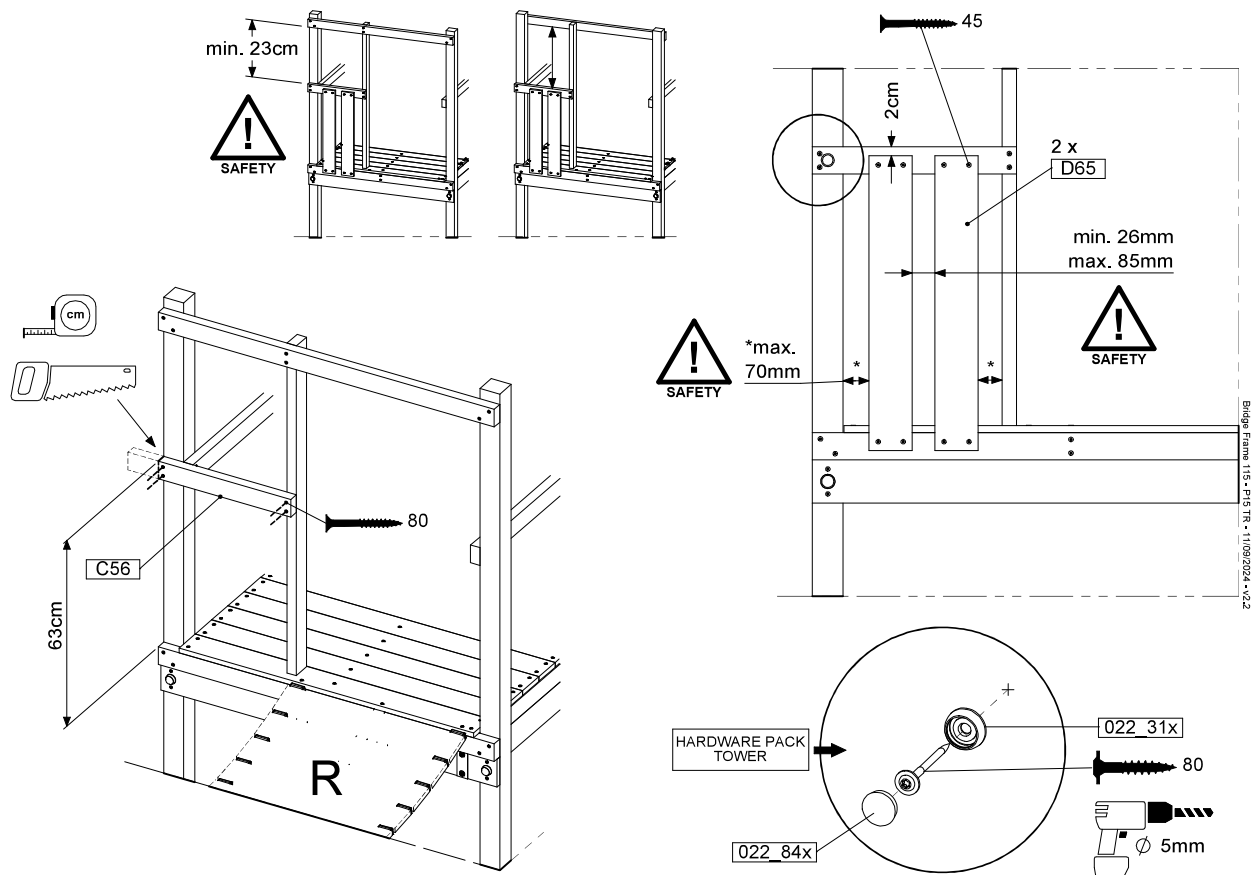
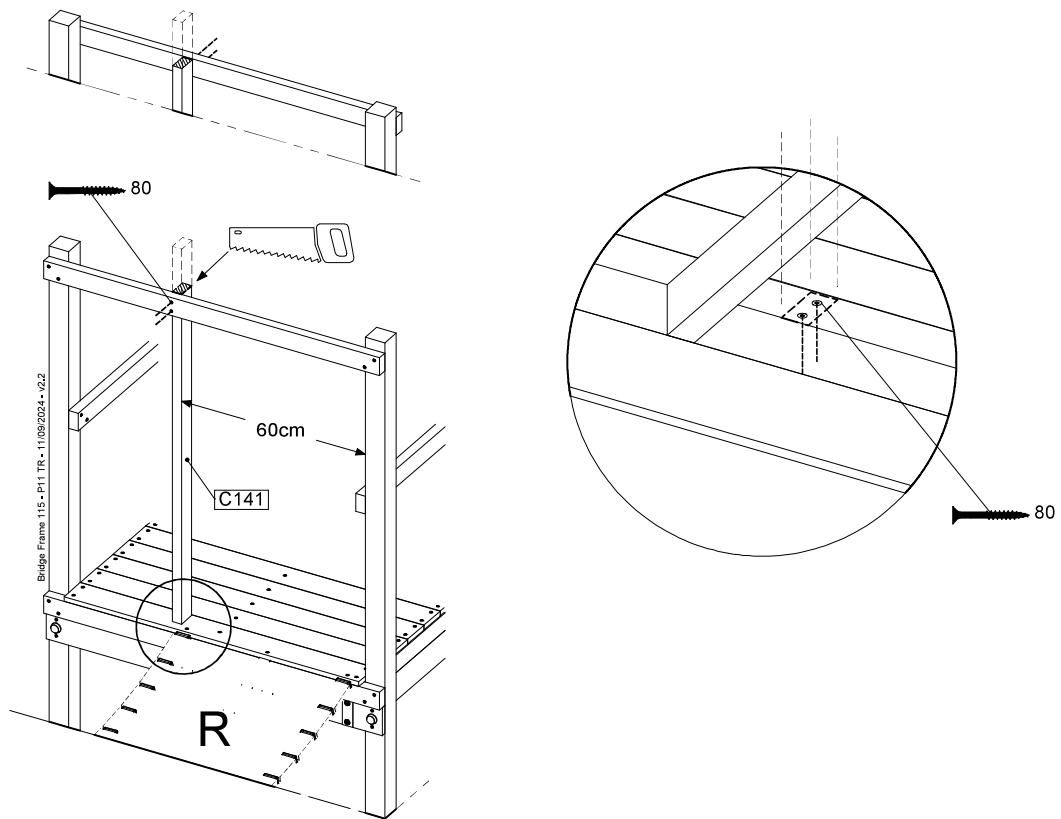
Assembly Pack: 194_007 (a) / 194_802(b)

	PartNo	PartName	QTY.
Hardware + Parts	001_411	Stealth Screw 8x60	1
	002_220	Gap Point Screw T25 - 5x45	10
	002_223	Gap Point Screw T25 - 5x80	12
Timber	C56	Beam 560 mm	1
	C114	Beam 1140 mm	1
	C141	Beam 1410 mm	1
	D65	Board 650 mm	2

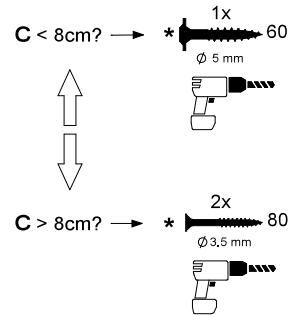
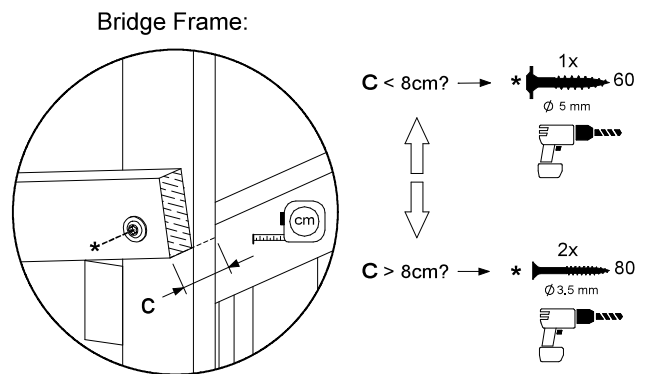
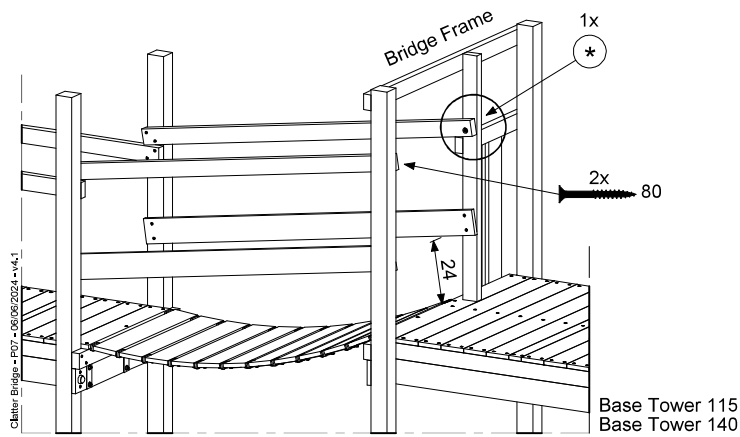
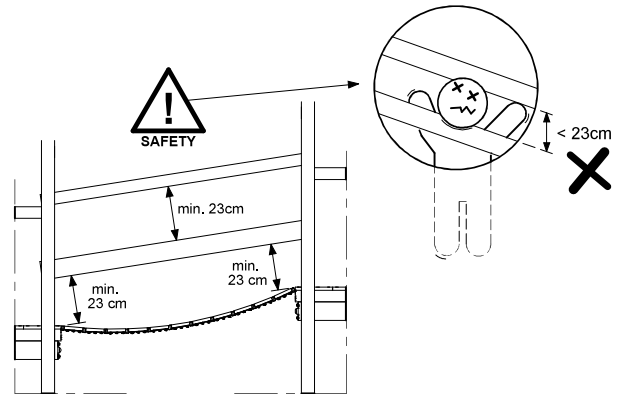
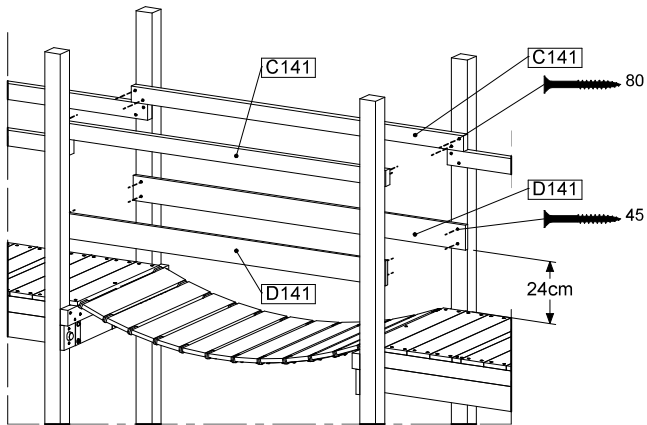
Bridge Frame 115 - P05 TR - 11/09/2024 - v2.2



Bridge Frame 115 - P07 L - 11/09/2024 - v2.2



9 CB01a: Clatter Bridge - PART 2

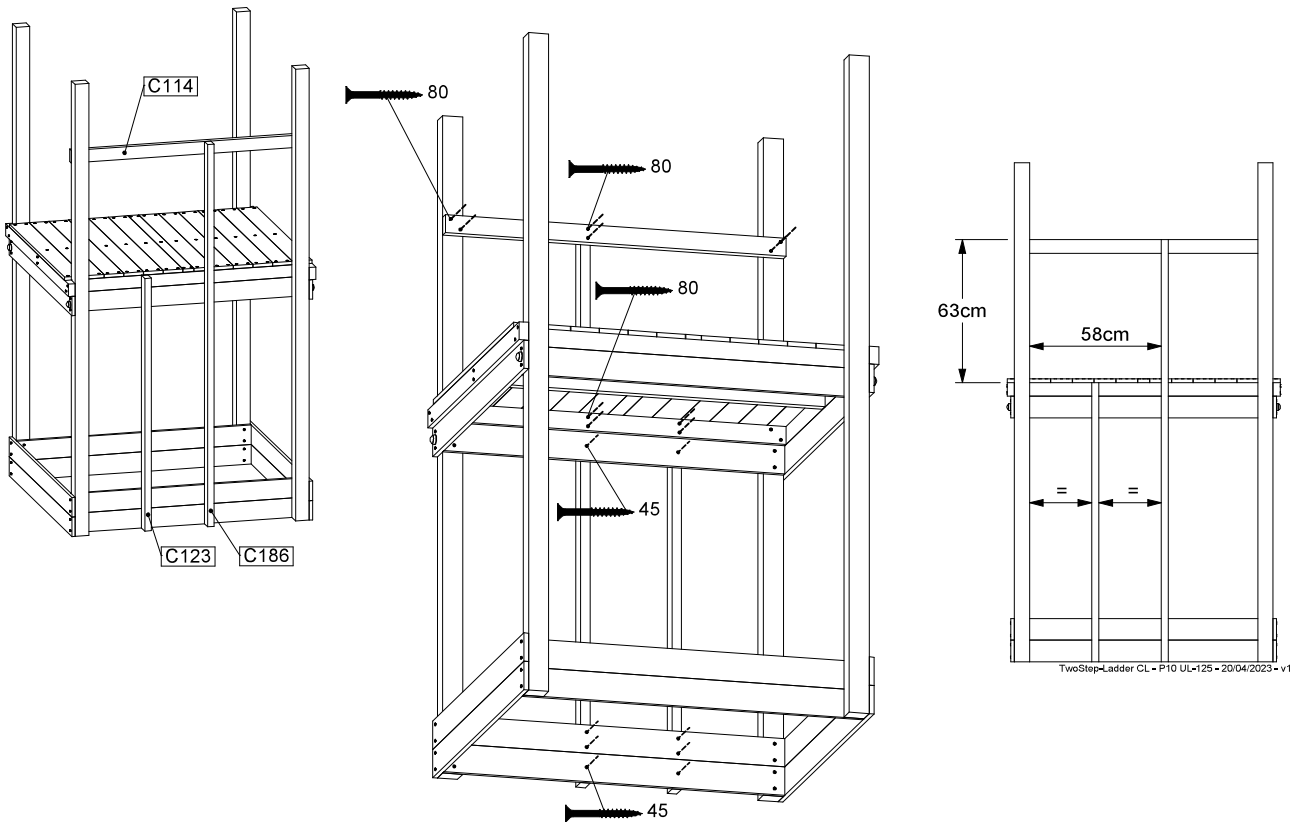
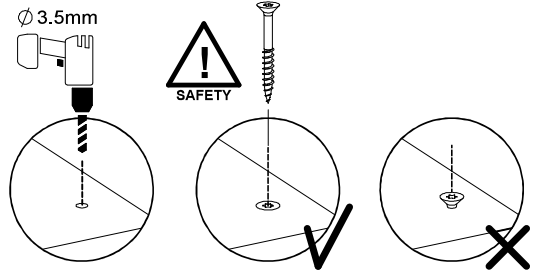
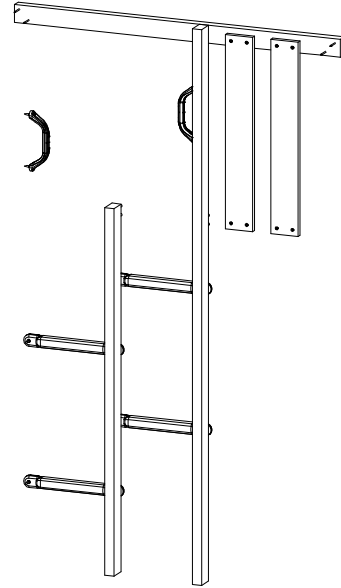


10 TS05a: Two Step 115 125 U Left

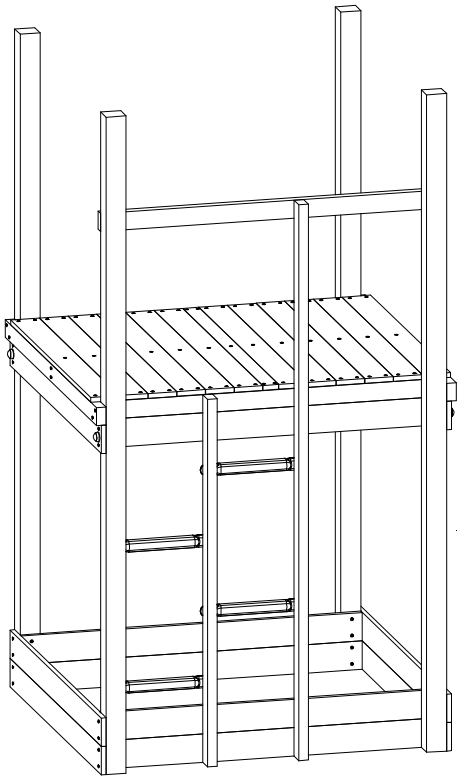
(194_002 +194_101)

	PartNo	PartName	QTY.
Hardware pack	001_406	Stealth Screw 8x45	8
	002_220	Gap Point Screw T25 - 5x45	16
	002_223	Gap Point Screw T25 - 5x80	10
Other	022_53x	Ladder/ Rope Rung 30cm	4
	022_84x	bpc cover	8
	120_102	Handgrip set (complete 2x)	1
Timber	C114	Beam 1140 mm	1
	C123	Beam 1230 mm	1
	C186	Beam 1860 mm	1
	D65	Board 650 mm	2

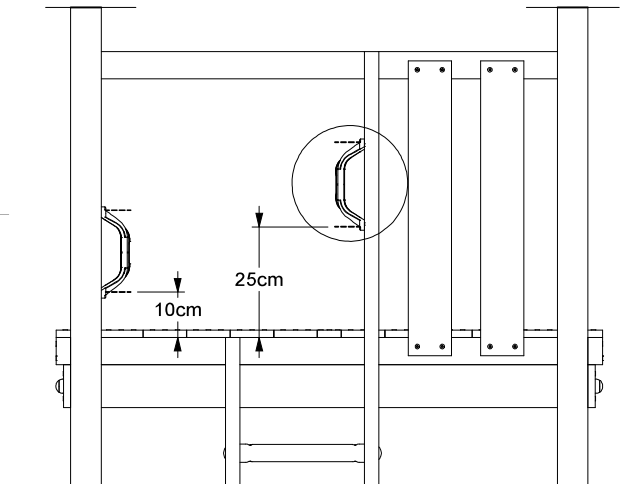
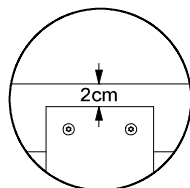
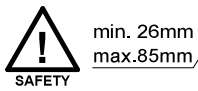
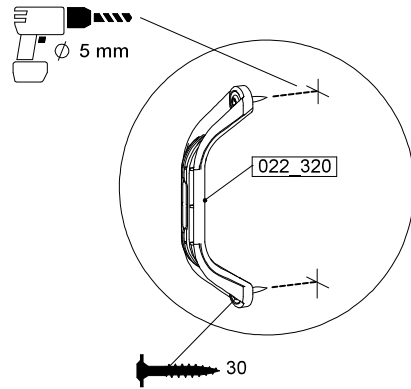
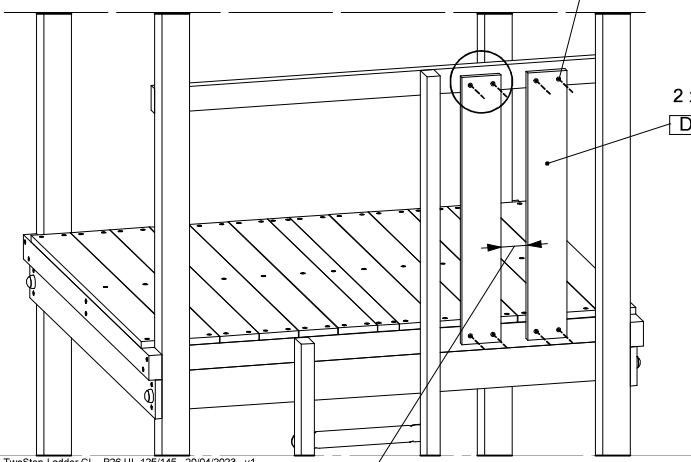
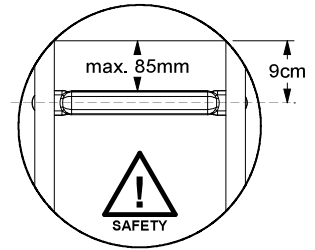
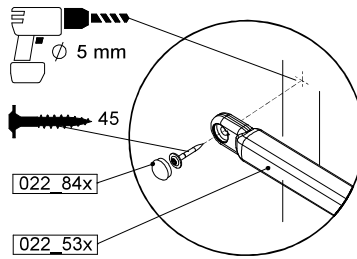
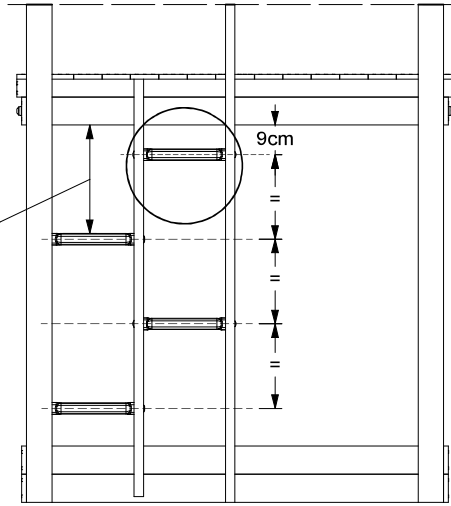
TwoStep=Ladder CL - P10 UL-125 - 20/04/2023 - v1



TwoStep=Ladder CL - P10 UL-125 - 20/04/2023 - v1



min. 23cm

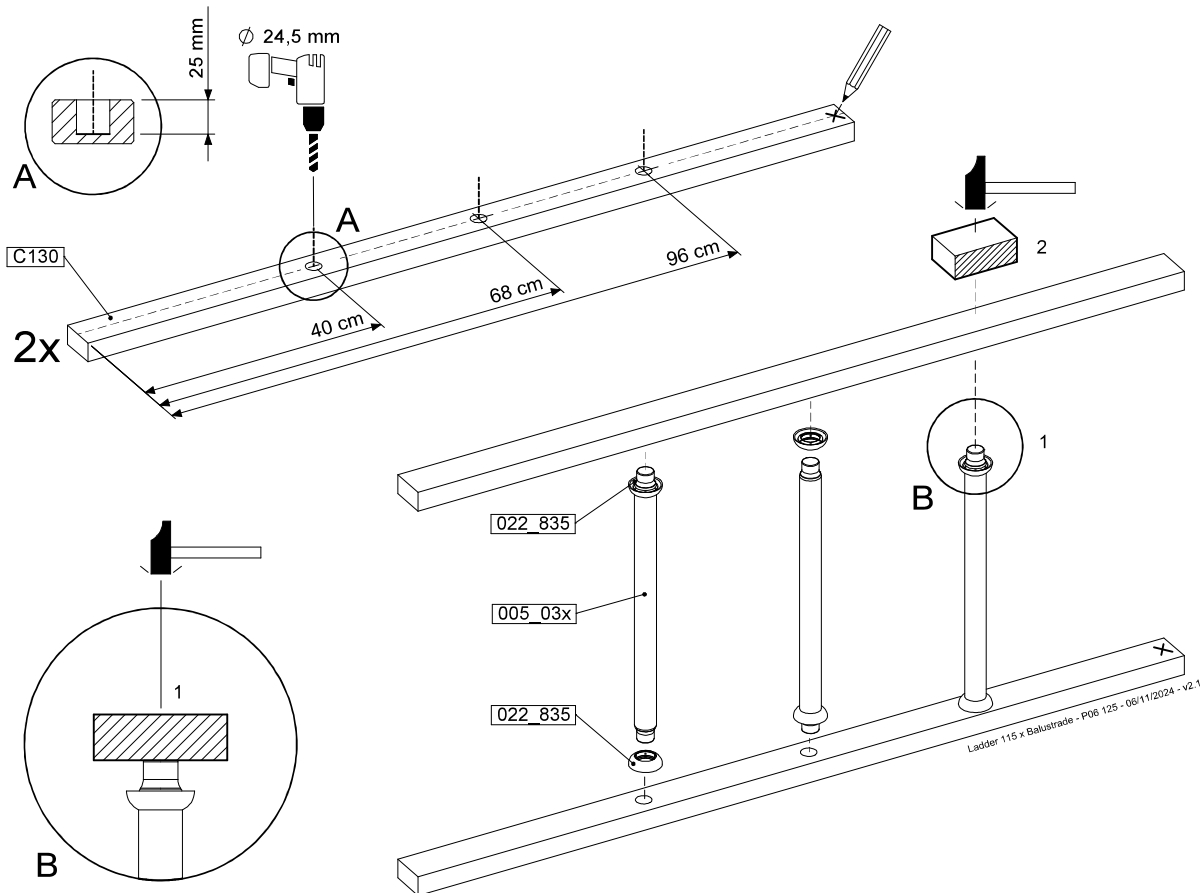
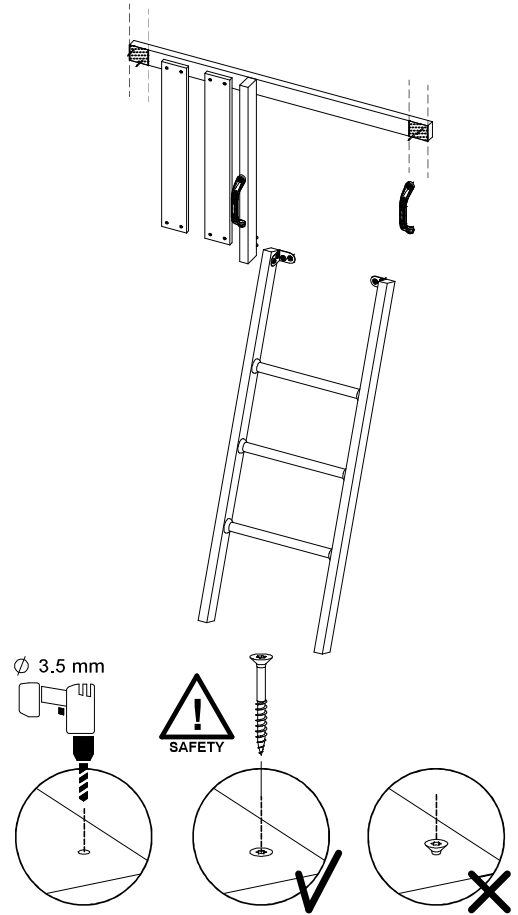


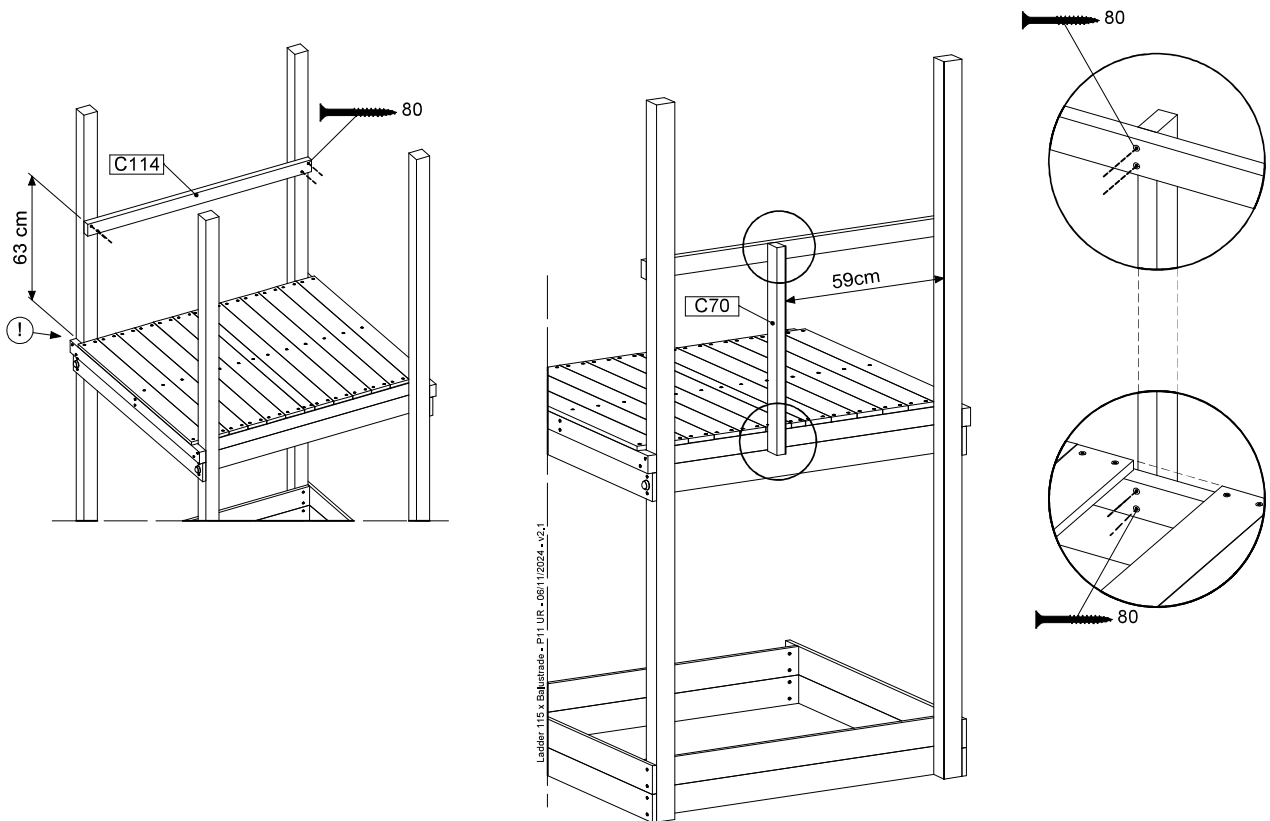
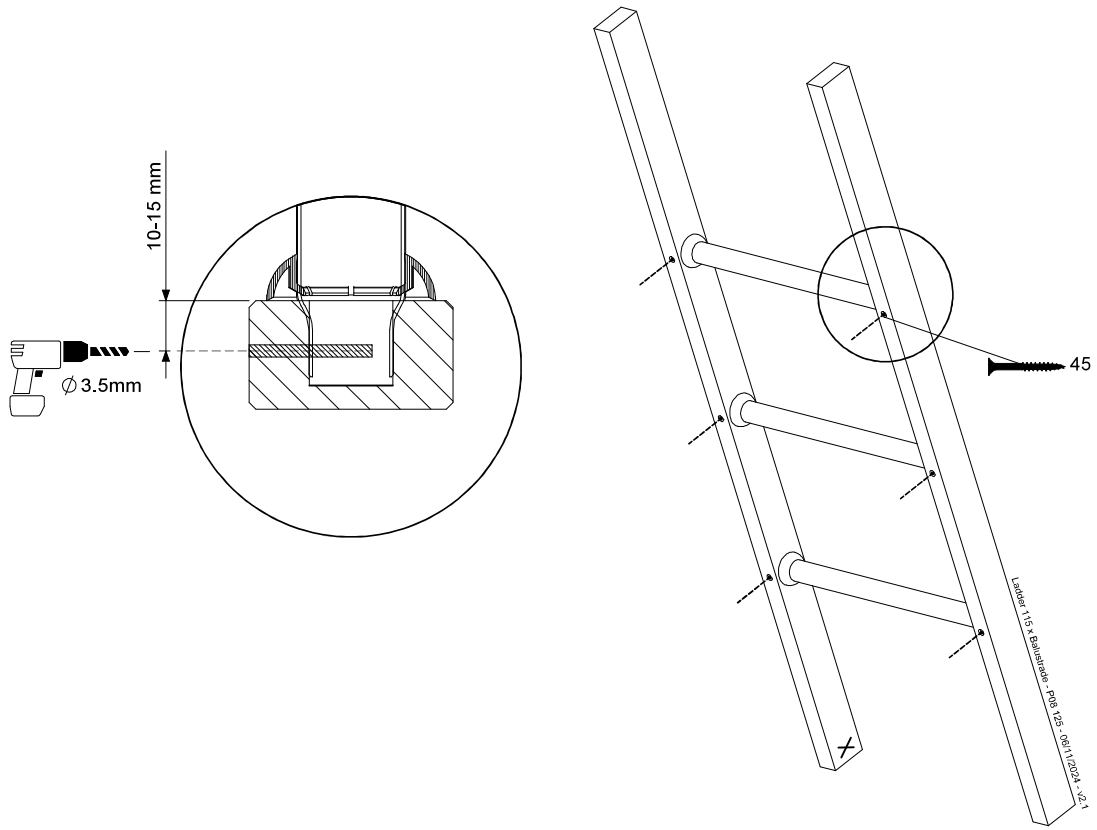
11 LA12a: Ladder 115 125 U Right

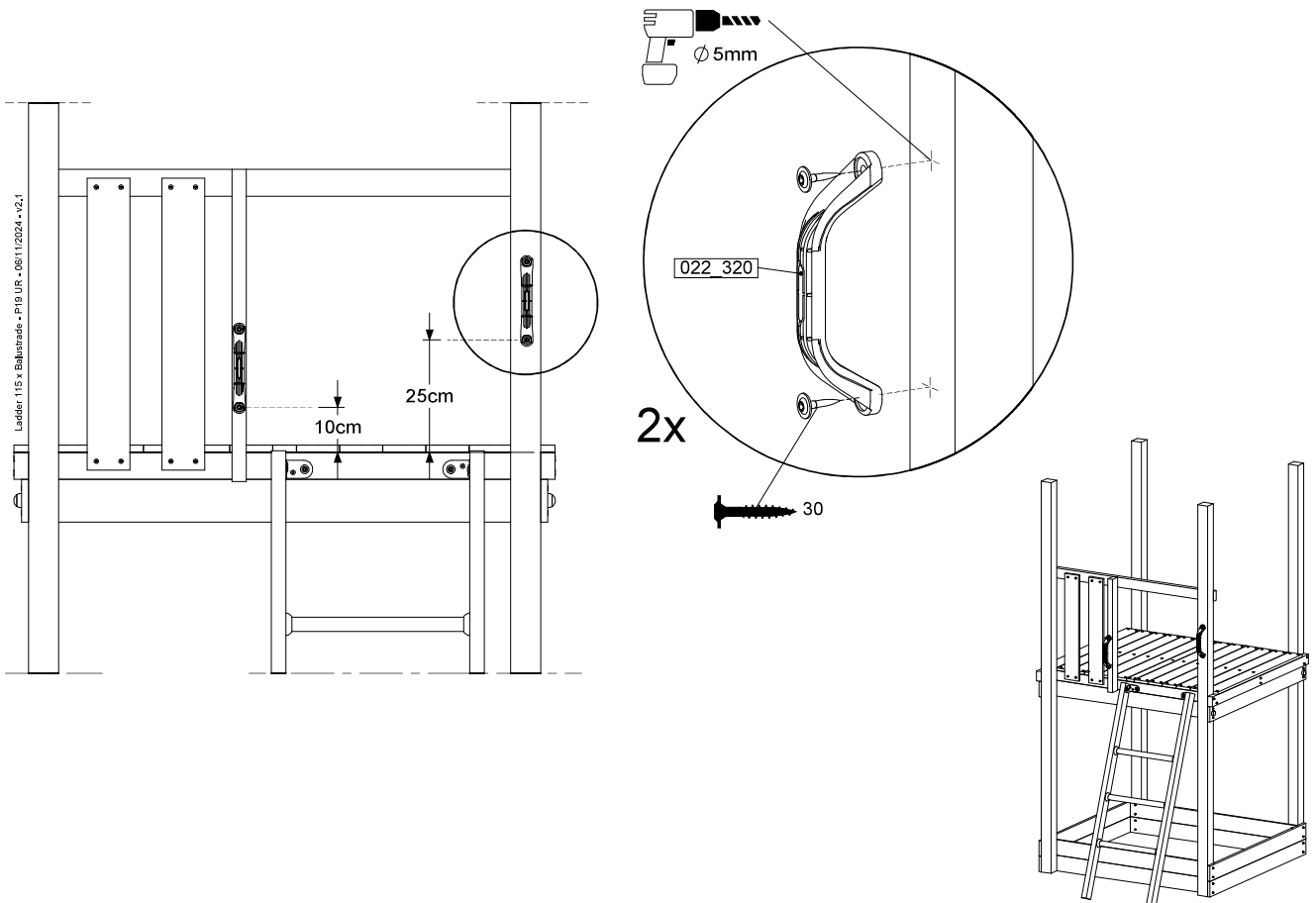
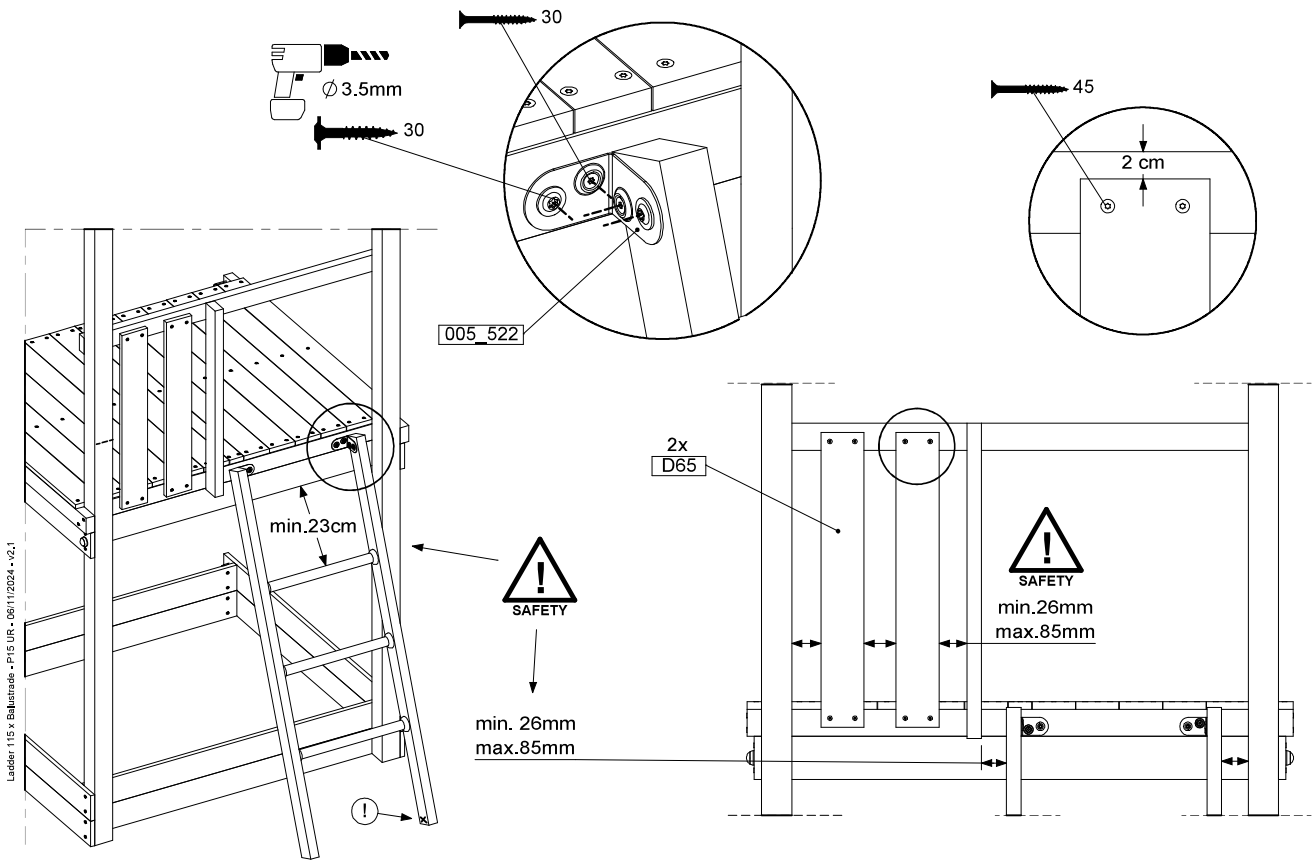
Assembly Packs: 194_101 + 194_003 / 194_103

	PartNo	PartName	QTY.
Hardware + Parts	001_404	Stealth Screw 8x30	4
	002_219	Gap Point Screw T25 - 5x30	4
	002_220	Gap Point Screw T25 - 5x45	14
	002_223	Gap Point Screw T25 - 5x80	8
	005_03x	Ladder Rung Y/B/G/R	3
	005_522	Connection Bracket Mini Market	2
	022_835	Rung Cap	6
	120_102	Handgrip set (complete 2x)	1
Timber	C114	Beam 1140 mm	1
	C130	Beam 1300 mm	2
	C70	Beam 700 mm	1
	D65	Board 650 mm	2

Ladder 115 x Balustrade - P08 UR125 - 06/11/2024 - v2.1





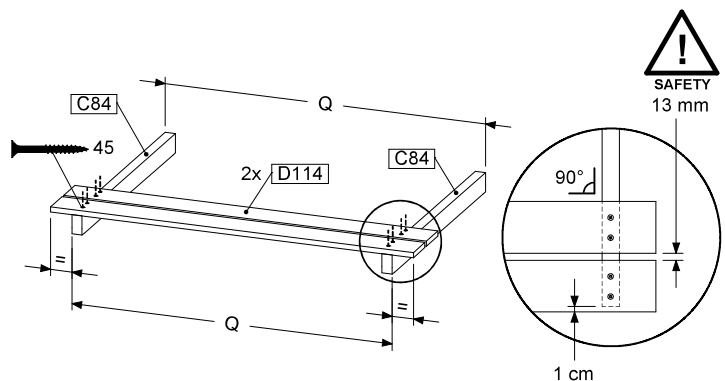
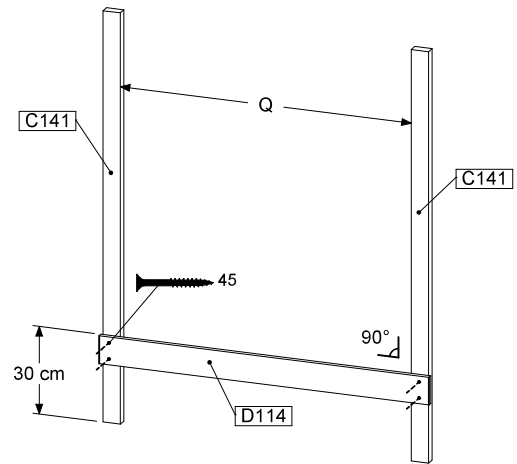
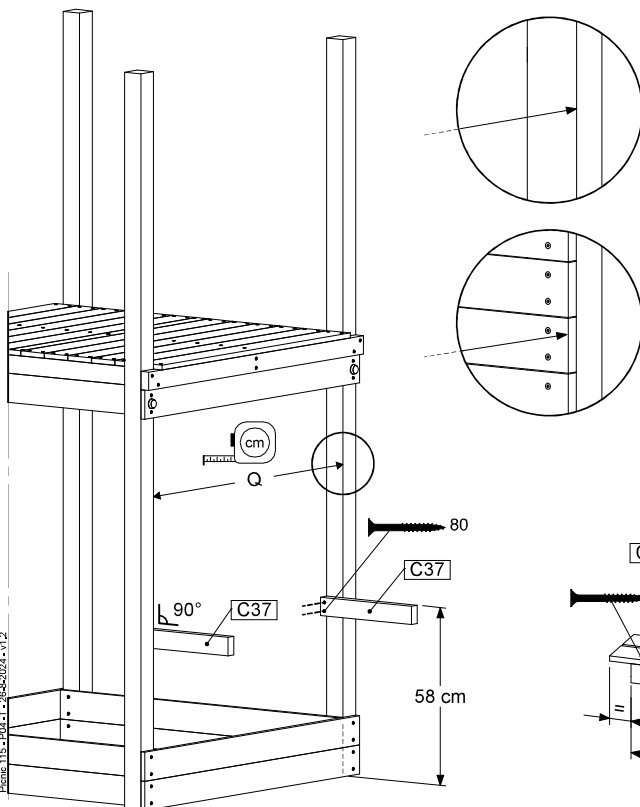
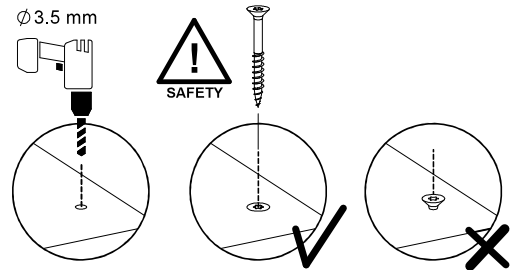
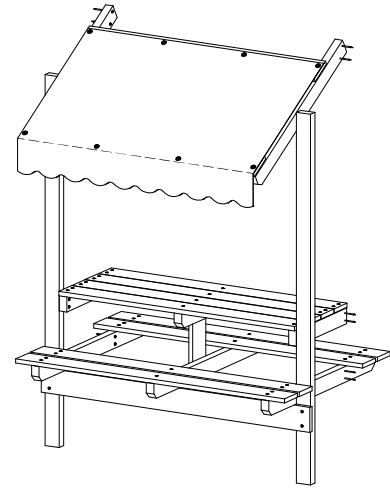


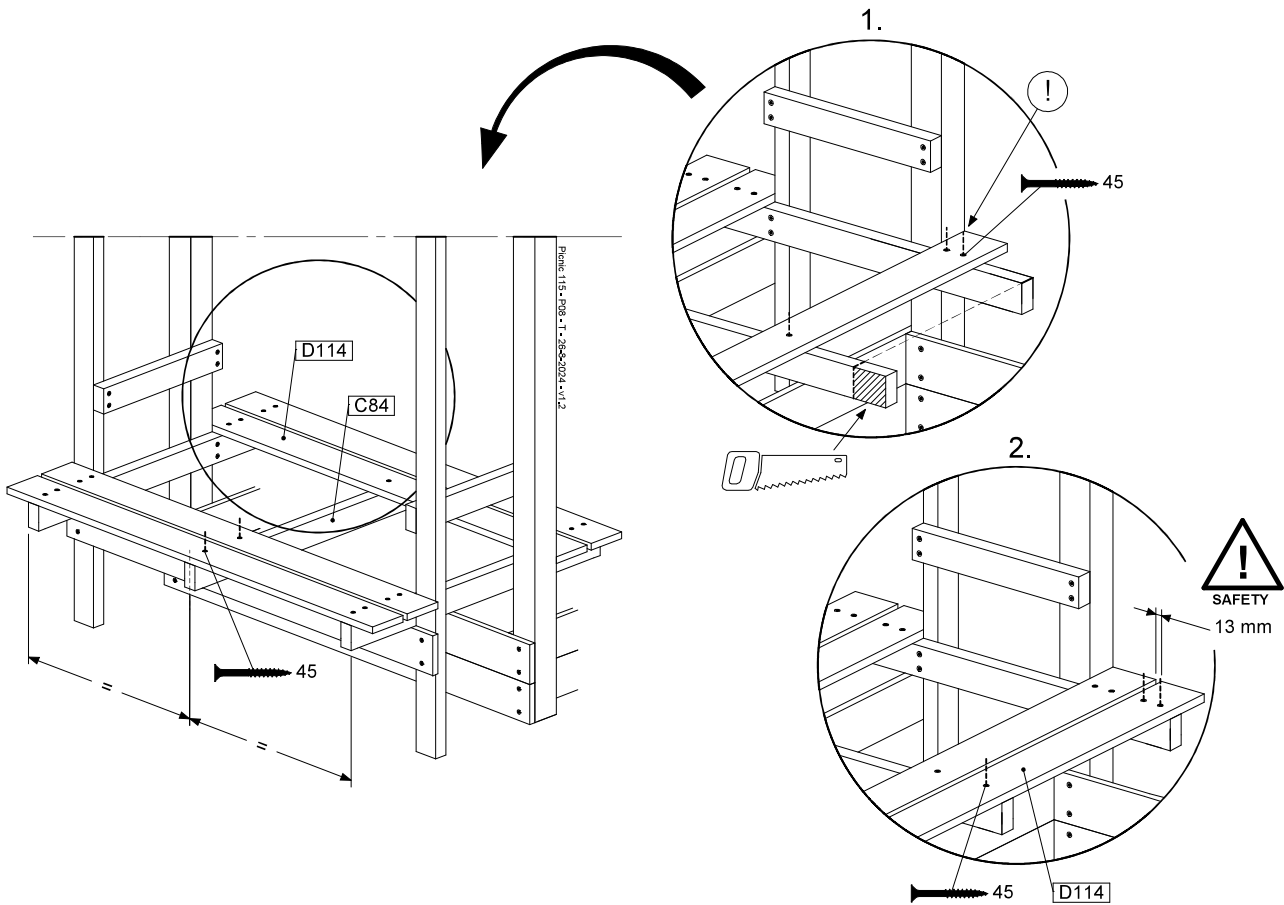
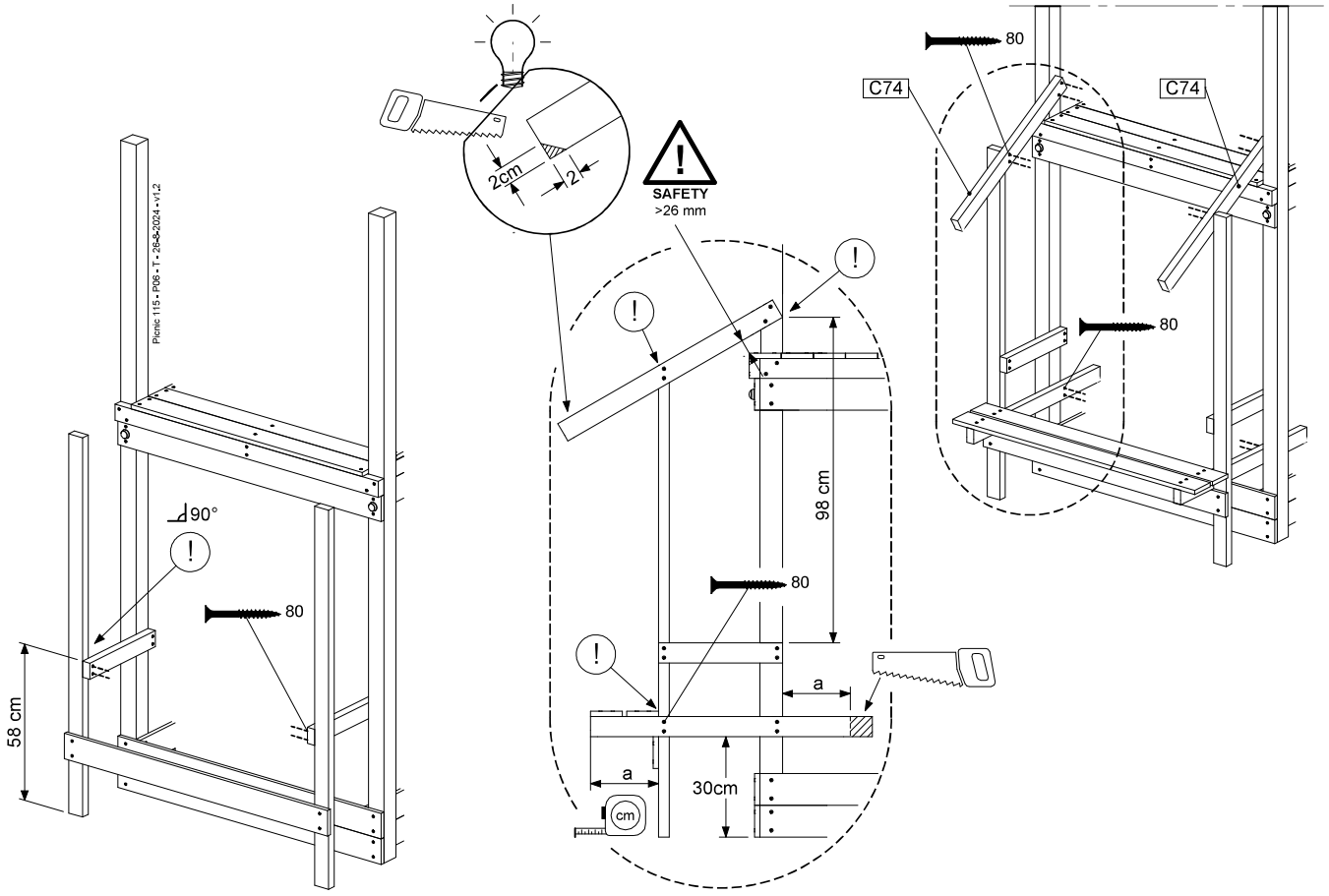
12 PC06a: Picnic 115 T

Assembly Pack: 194_810

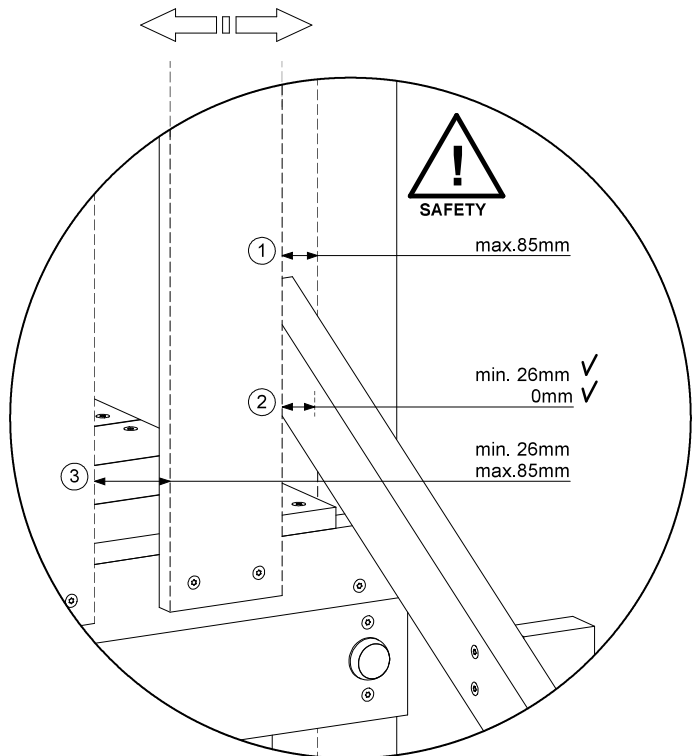
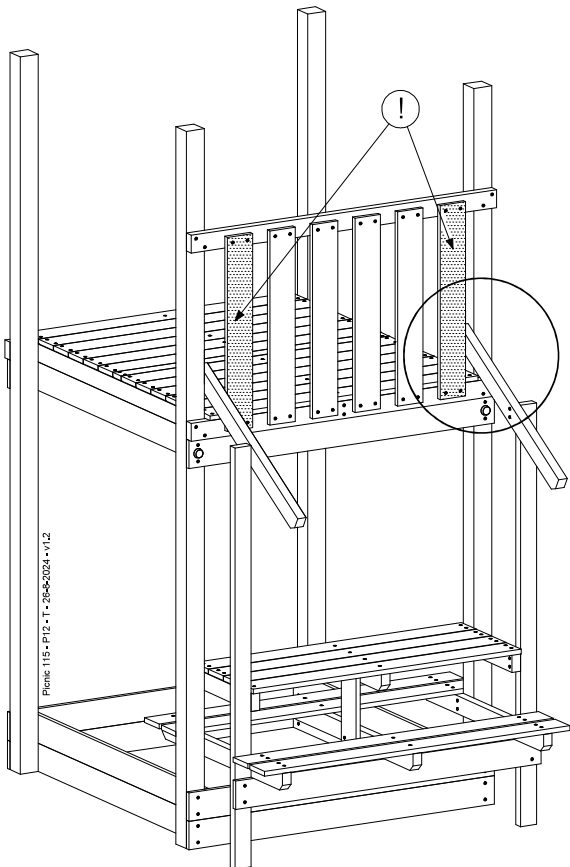
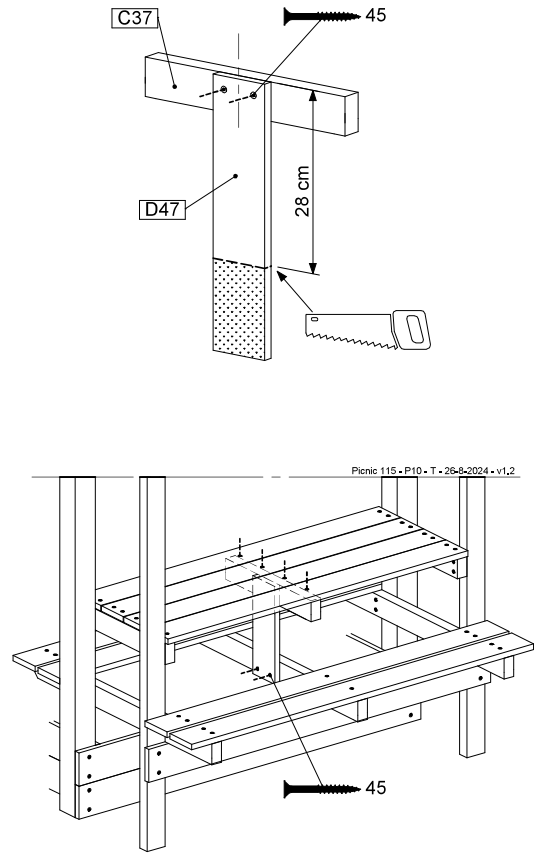
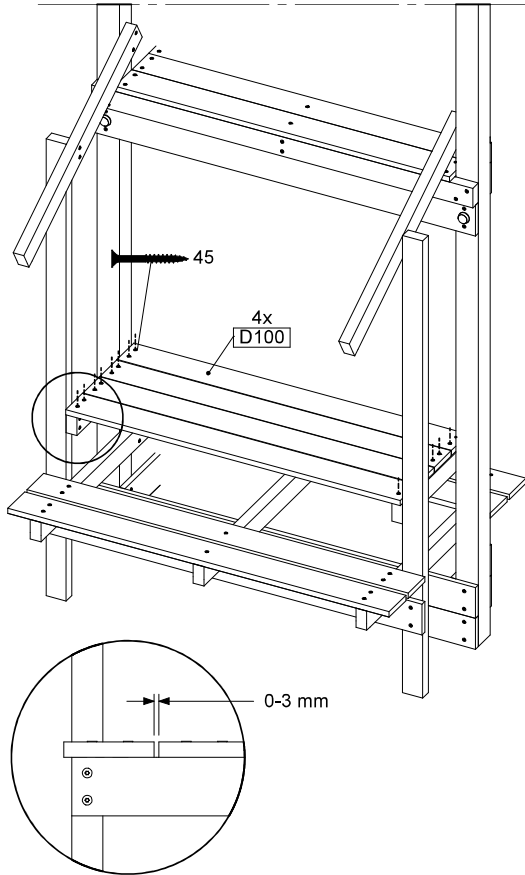
	PartNo	PartName	QTY.
Hardware + Parts	002_220	Gap Point Screw T25 - 5x45	56
	002_223	Gap Point Screw T25 - 5x80	24
	002_308	Gap Point Screw T25 - 5x20	8
	023_031	Finishing Washer GPS 5.0	8
	123_220	Canvas sheet 735x1365mm	1
Timber	C37	Beam 370 mm	3
	C74	Beam 740 mm	2
	C84	Beam 840 mm	3
	C141	Beam 1410 mm	2
	D47	Board 470 mm	1
	D100	Board 1000 mm	6
	D114	Board 1140 mm	5

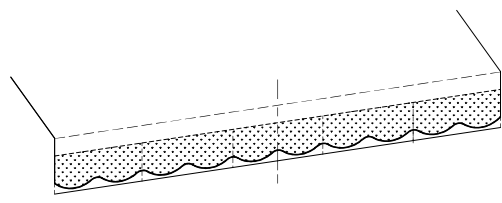
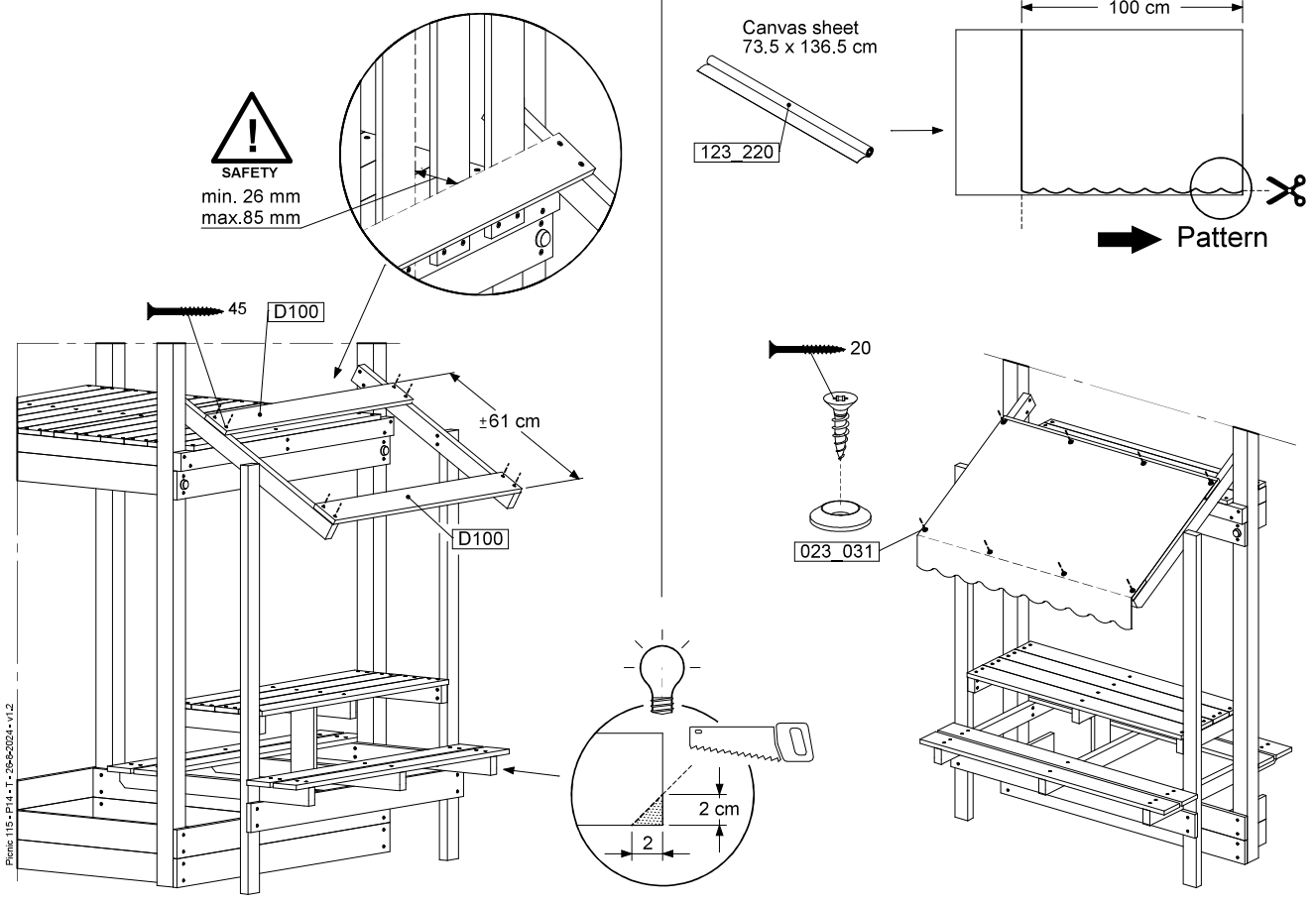
Picnic 115 - PD2 - JUT - 265-8-2024 - v1.2



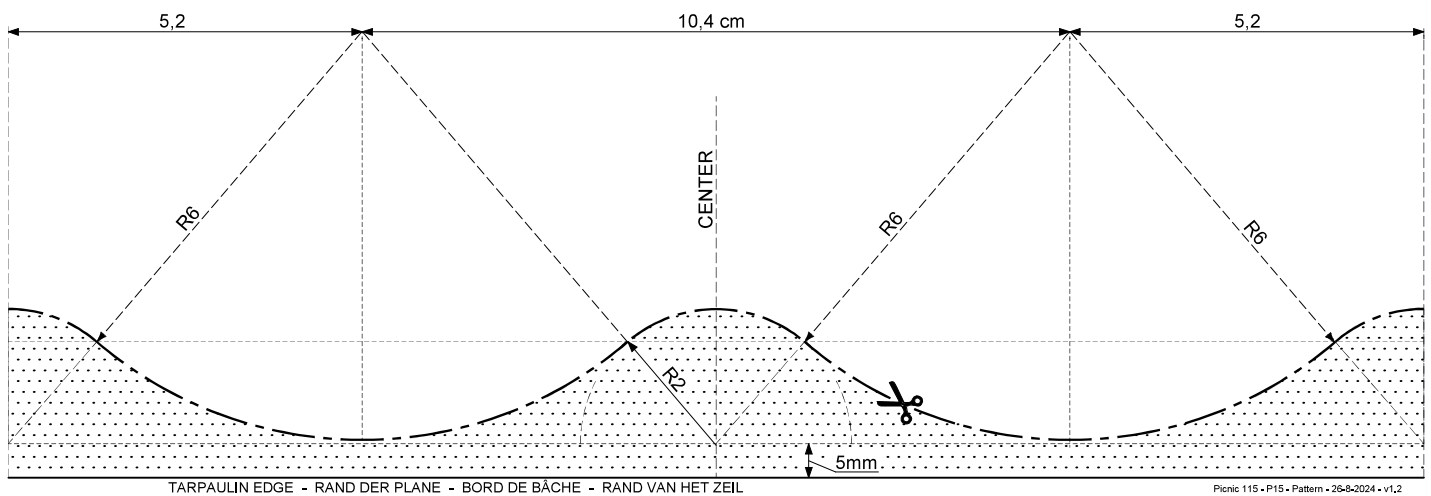


12.2





EXAMPLE PATTERN
 BEISPIELVORLAGE FÜR MARKISE
 SCHÉMA SUGGÉRÉ DE DÉCOUPE POUR AUVENT
 VORBEELDSJABLOON LUIFEL



← repeat

repeat →

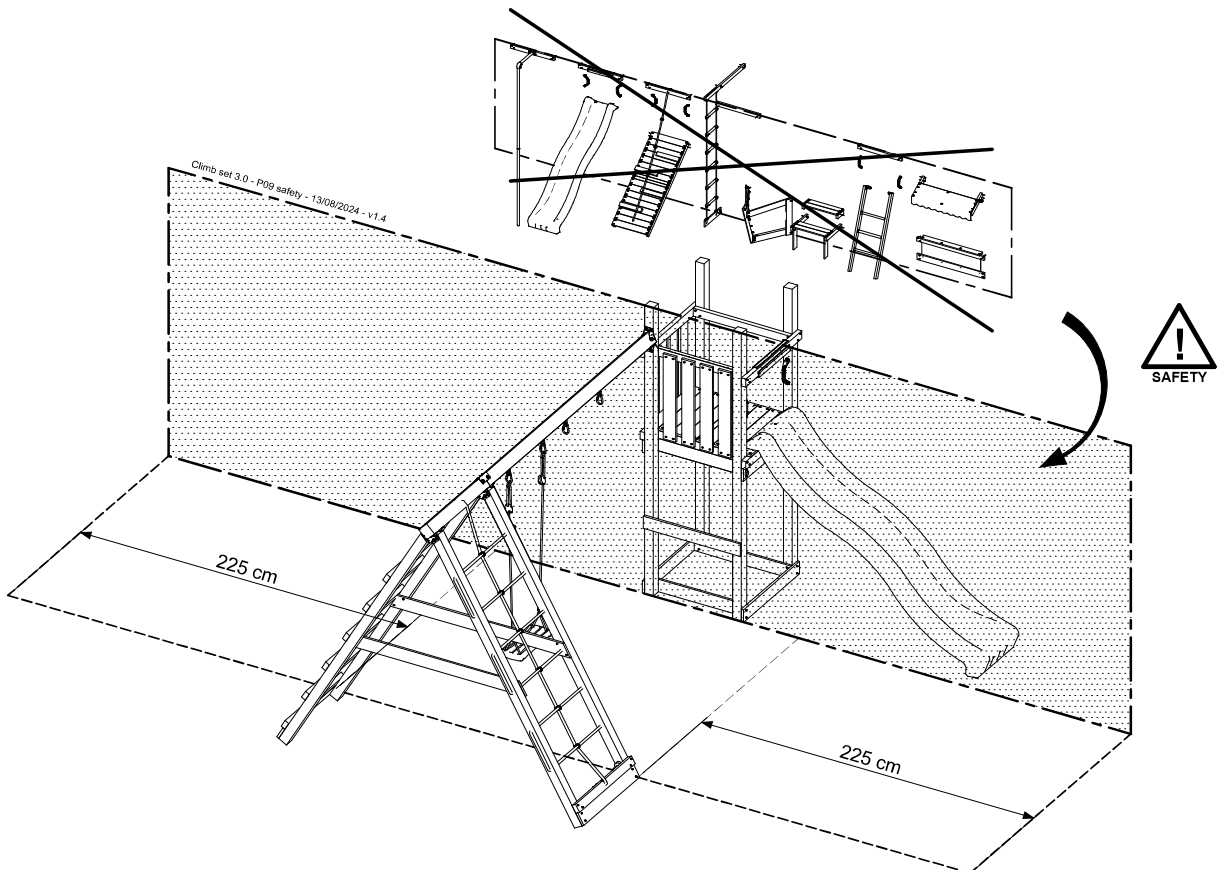
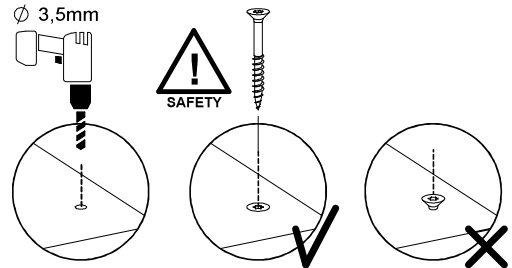
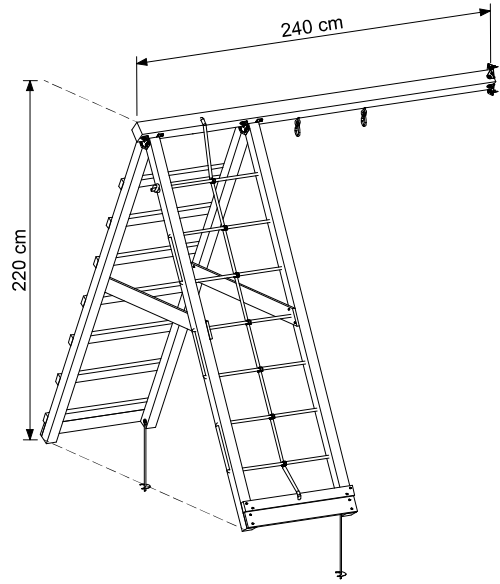
! Scale of print may not be accurate.
 Druckformat kann abweichen.
 Les tailles imprimées peuvent varier.
 Printformaat kan afwijken.

13 CL10a: 1- Climb Module 220 - 3.0

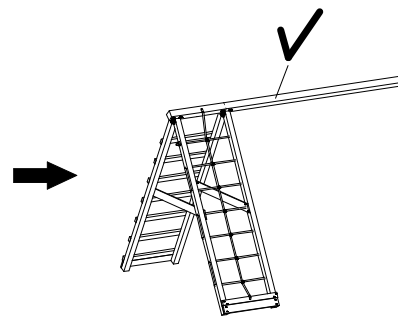
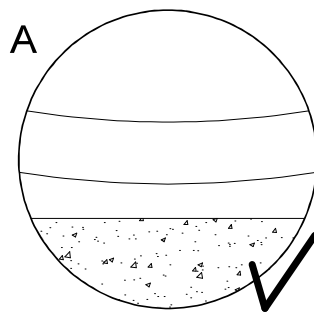
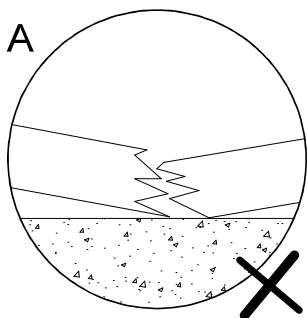
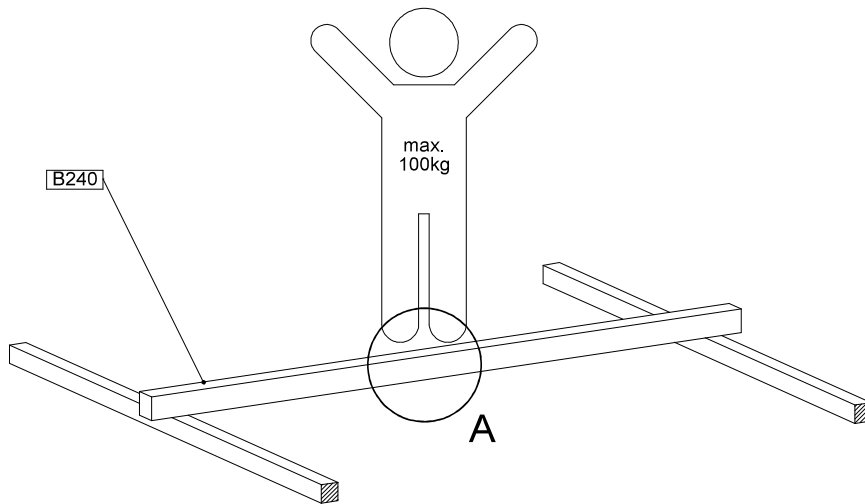
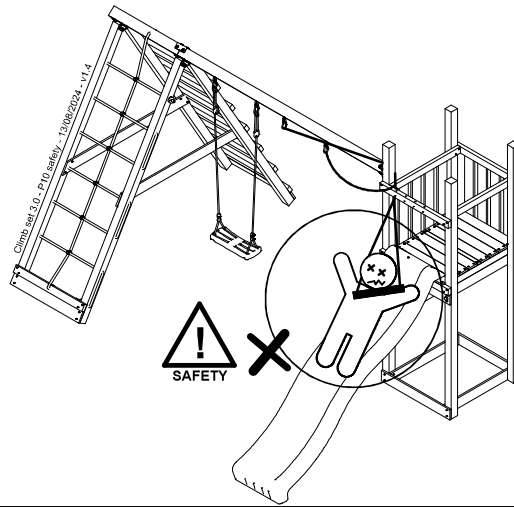
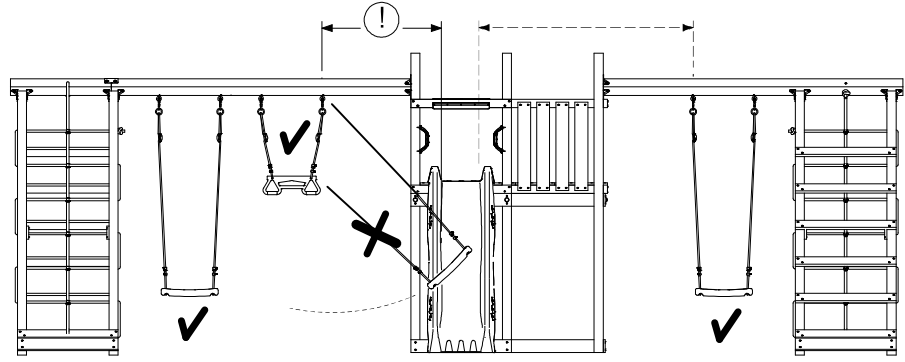
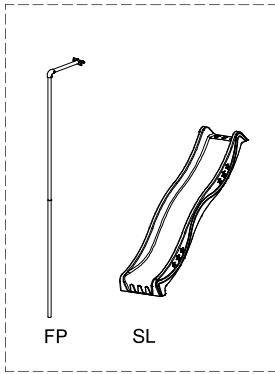
Assembly Kit: 457_107

	PartNo	PartName	QTY.
Hardware + Parts	001_404	Stealth Screw 8x30	4
	001_406	Stealth Screw 8x45	34
	001_417	Stealth Screw 8x80	2
	002_220	Gap Point Screw T25 - 5x45	36
	002_223	Gap Point Screw T25 - 5x80	35
	002_301	Dry Wall Screw PH2 3.9 x 40 mm	7
	023_042	Nylon washer 9x19x1.5	32
	005_096	A-Frame V-Connector	4
	005_097	Swing V-Connector	2
	007_001	Ground-anchor	2
	020_317	Rope Polyester 16mm Green 3.4m	1
	020_318	Rope Polyester 16mm Green 8.1m	1
	022_455	Rope Cross Connector Egg	7
	101_003	Swing hook with Carabiner	2
Timber	A240	Post ca.70x70 L2400	4
	B240	Post ca.90x90 L2400	1
	C74	Beam 740 mm	8
	D74	Board 740 mm	2
	D141	Board 1410 mm	3

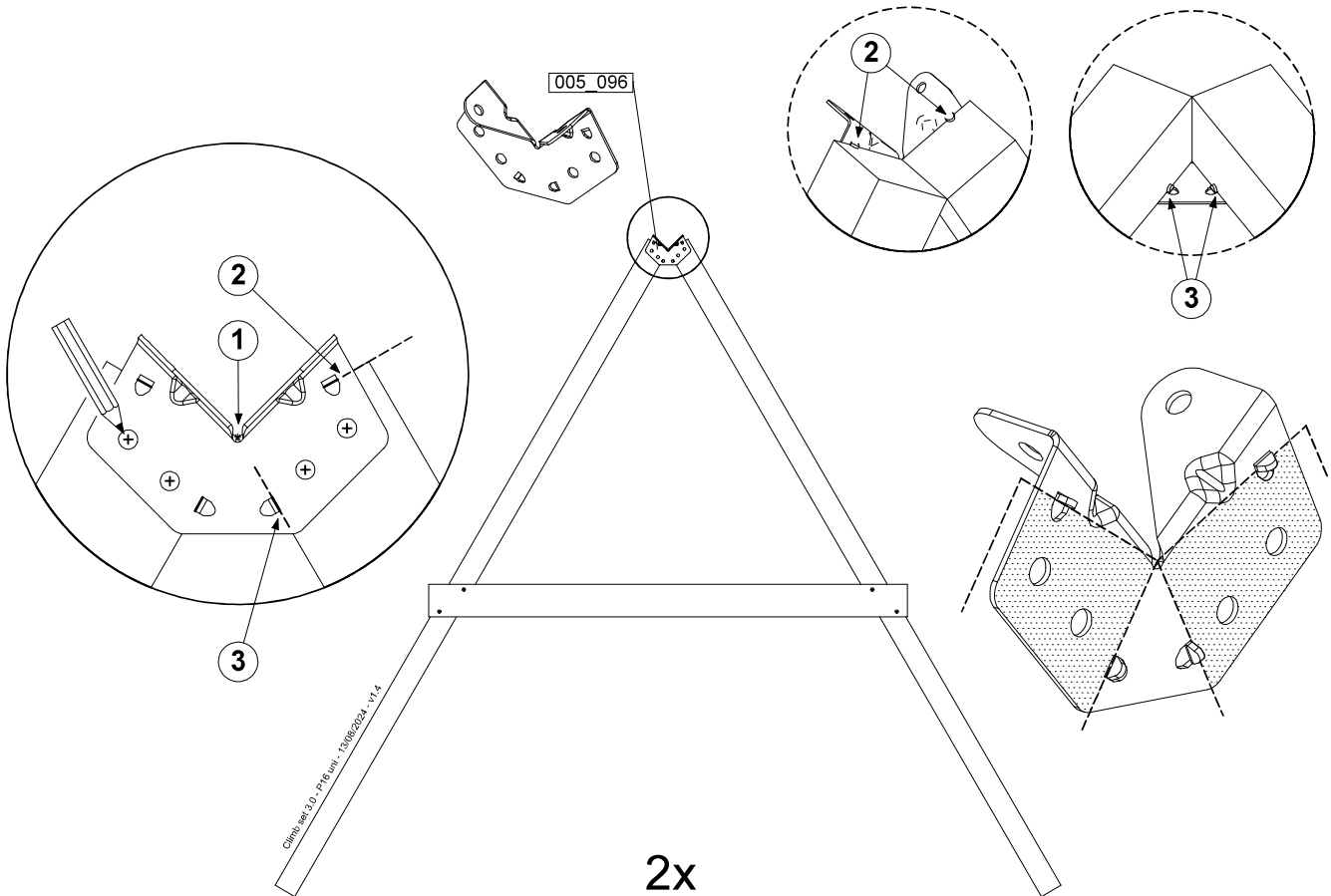
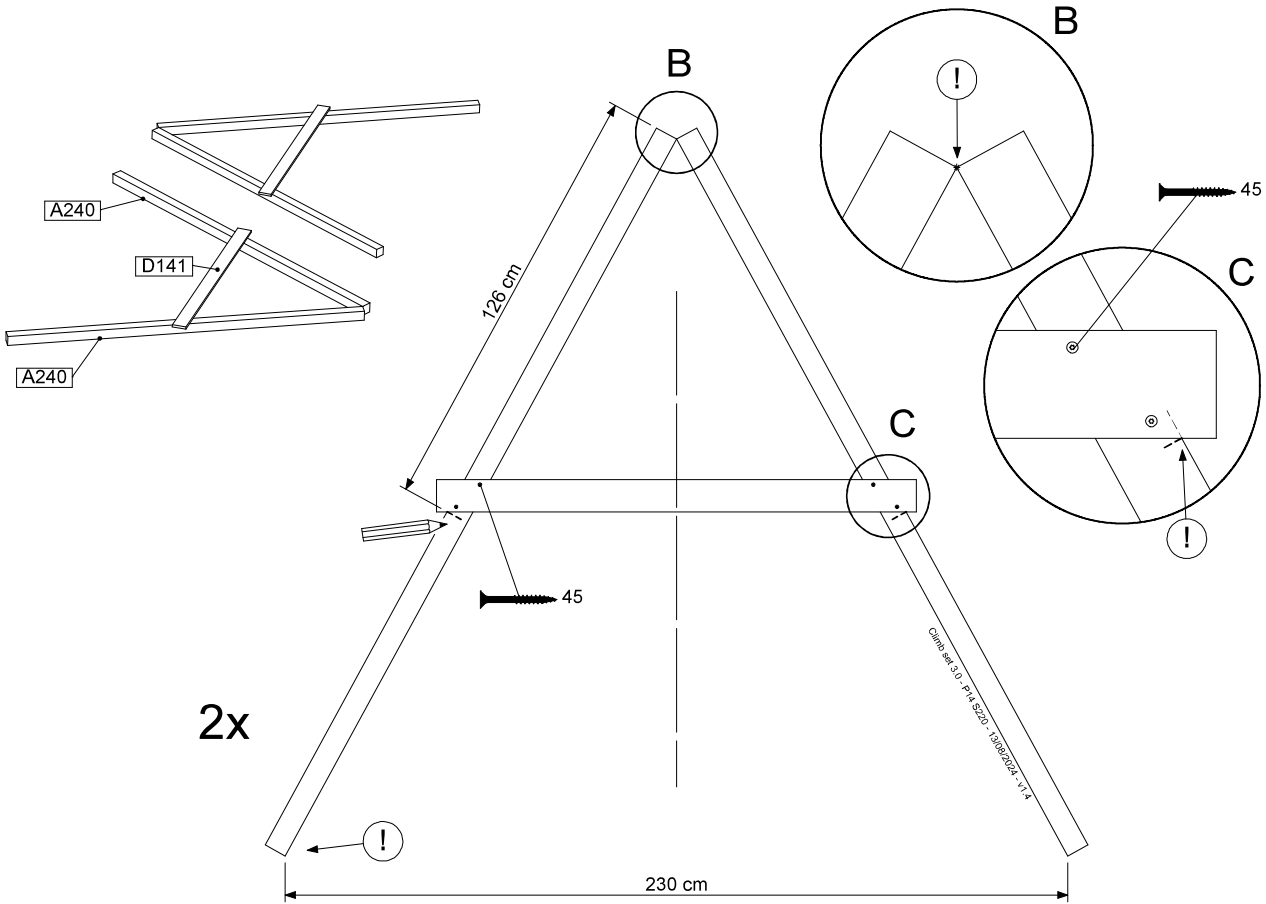
Climb set 3.0 - P05 (C220 - 13/08/2024 - v1.4

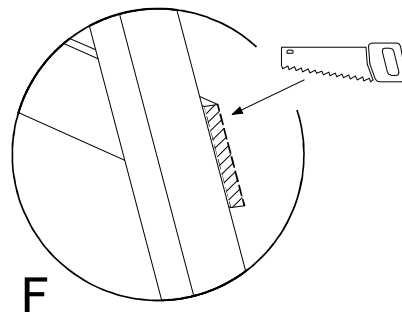
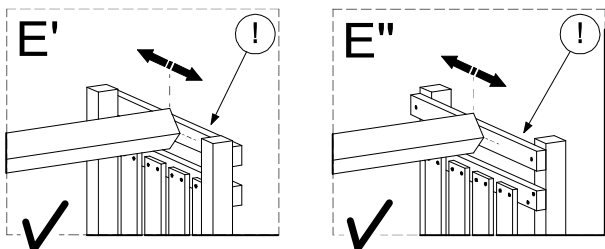
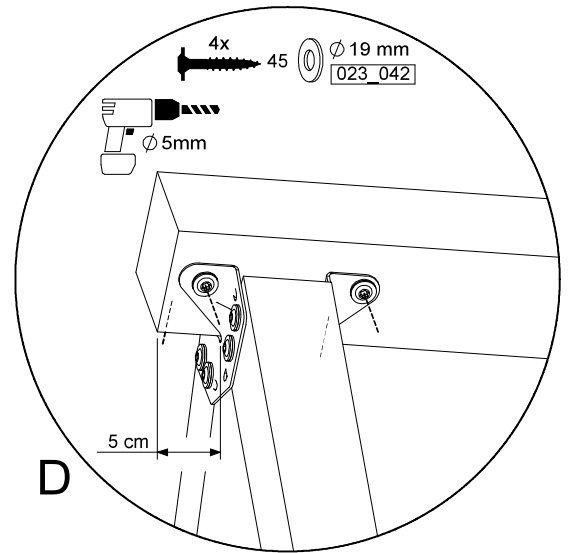
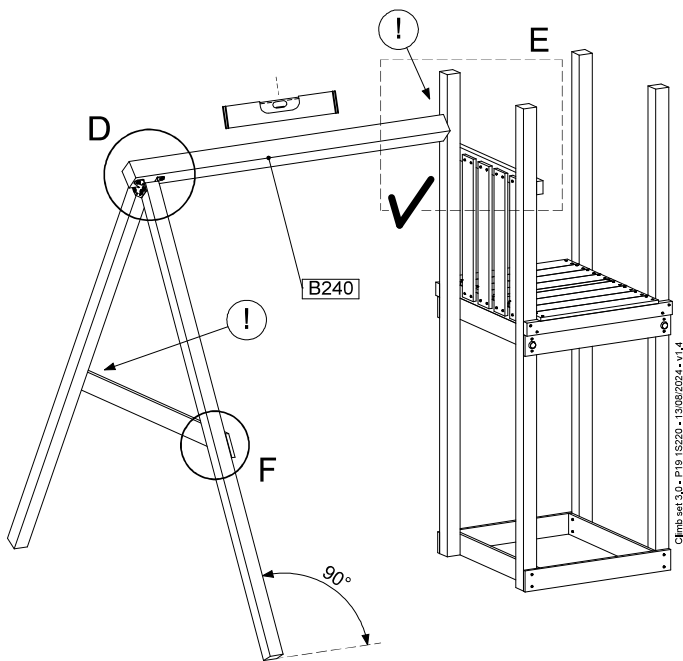
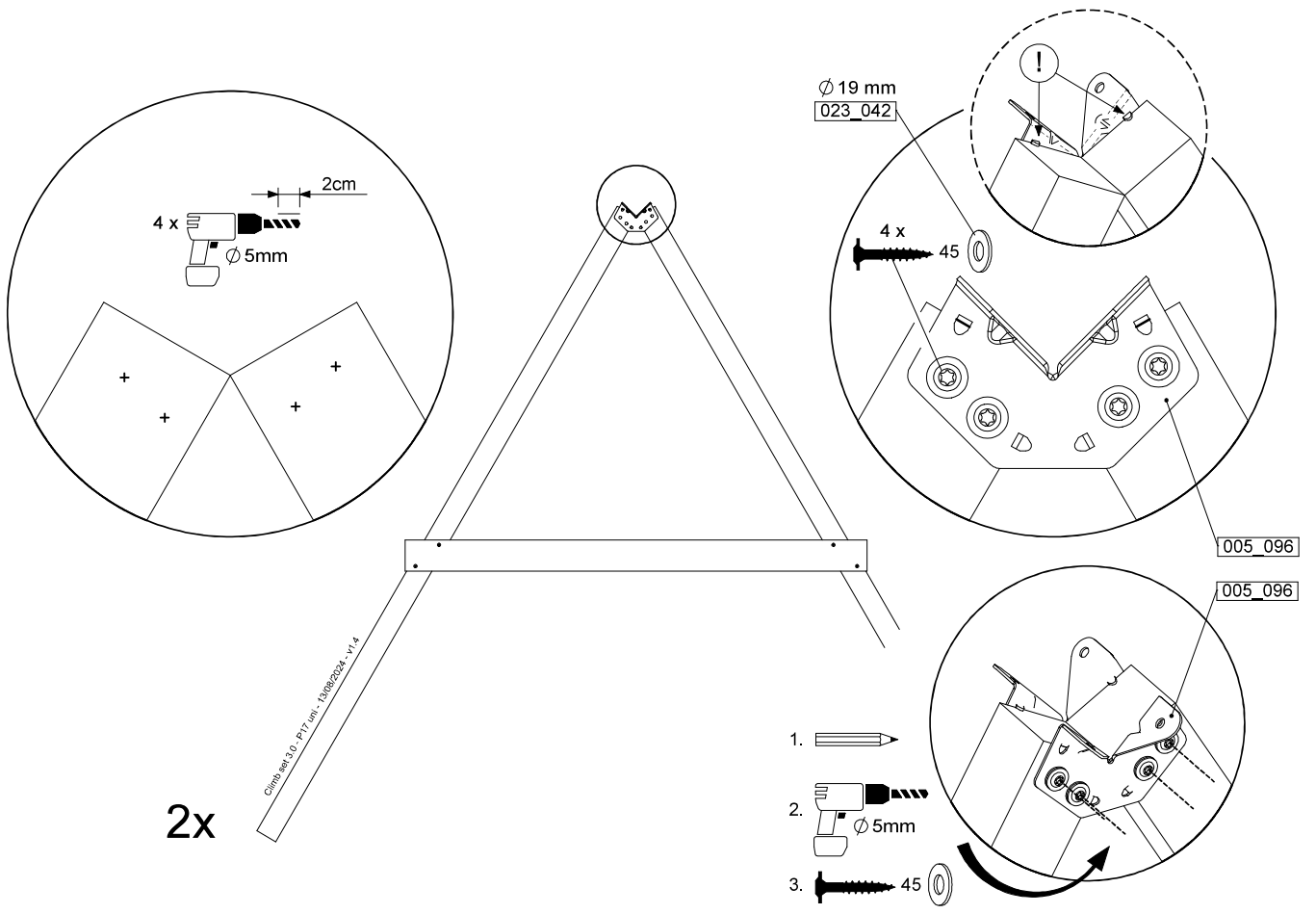


13.1



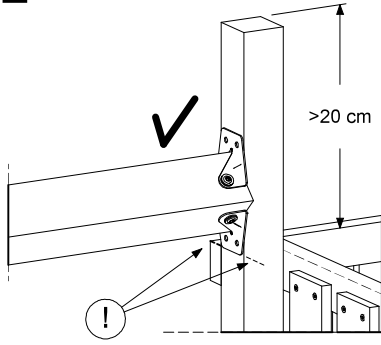
Climb set 3.0 - P12 25220 - 13108/2024 - v1.4



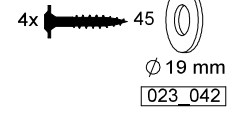
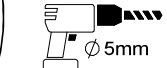
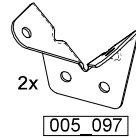
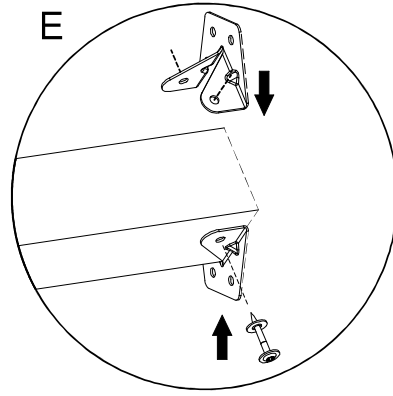


13.4

E

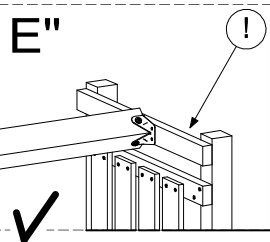
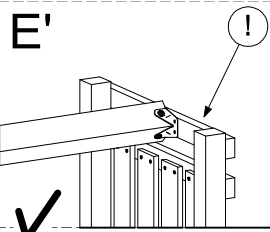
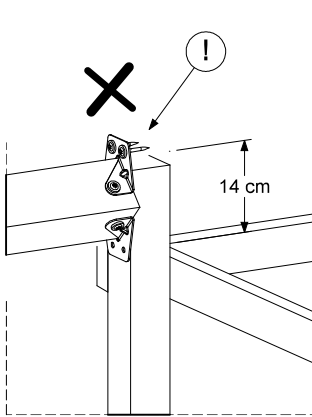


E

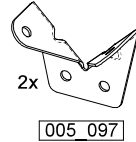
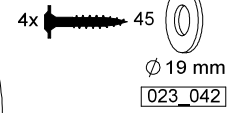
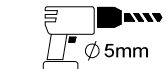
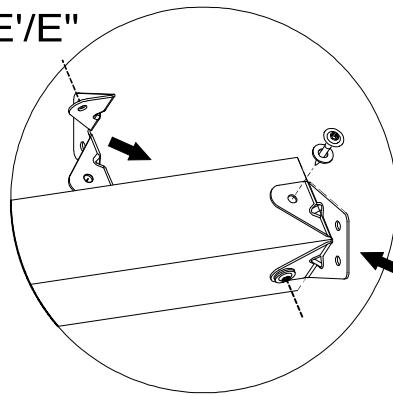


Climb set 3.0 - P22 uni - 13/08/2024 - v1.4

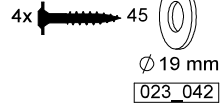
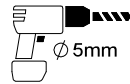
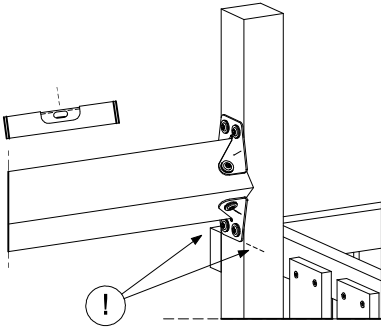
E'/E''



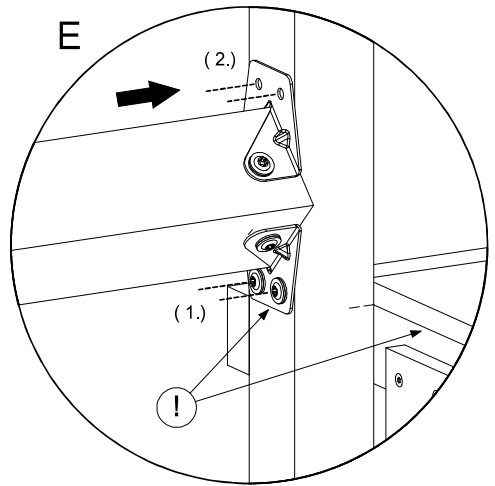
E'/E''



E

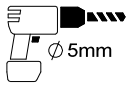
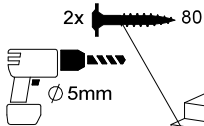
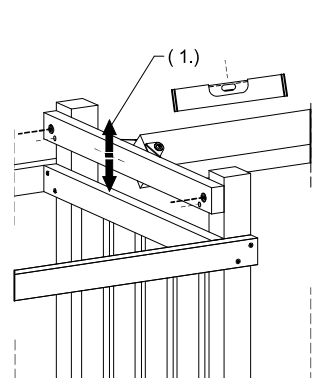


E

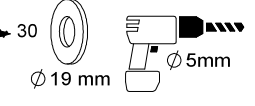
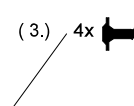
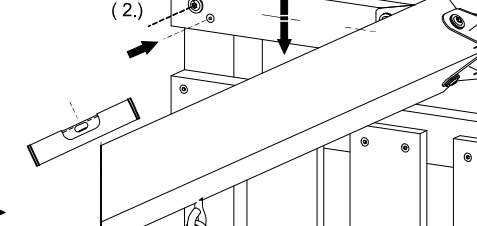


Climb set 3.0 - P23 uni - 13/08/2024 - v1.4

E'/E''



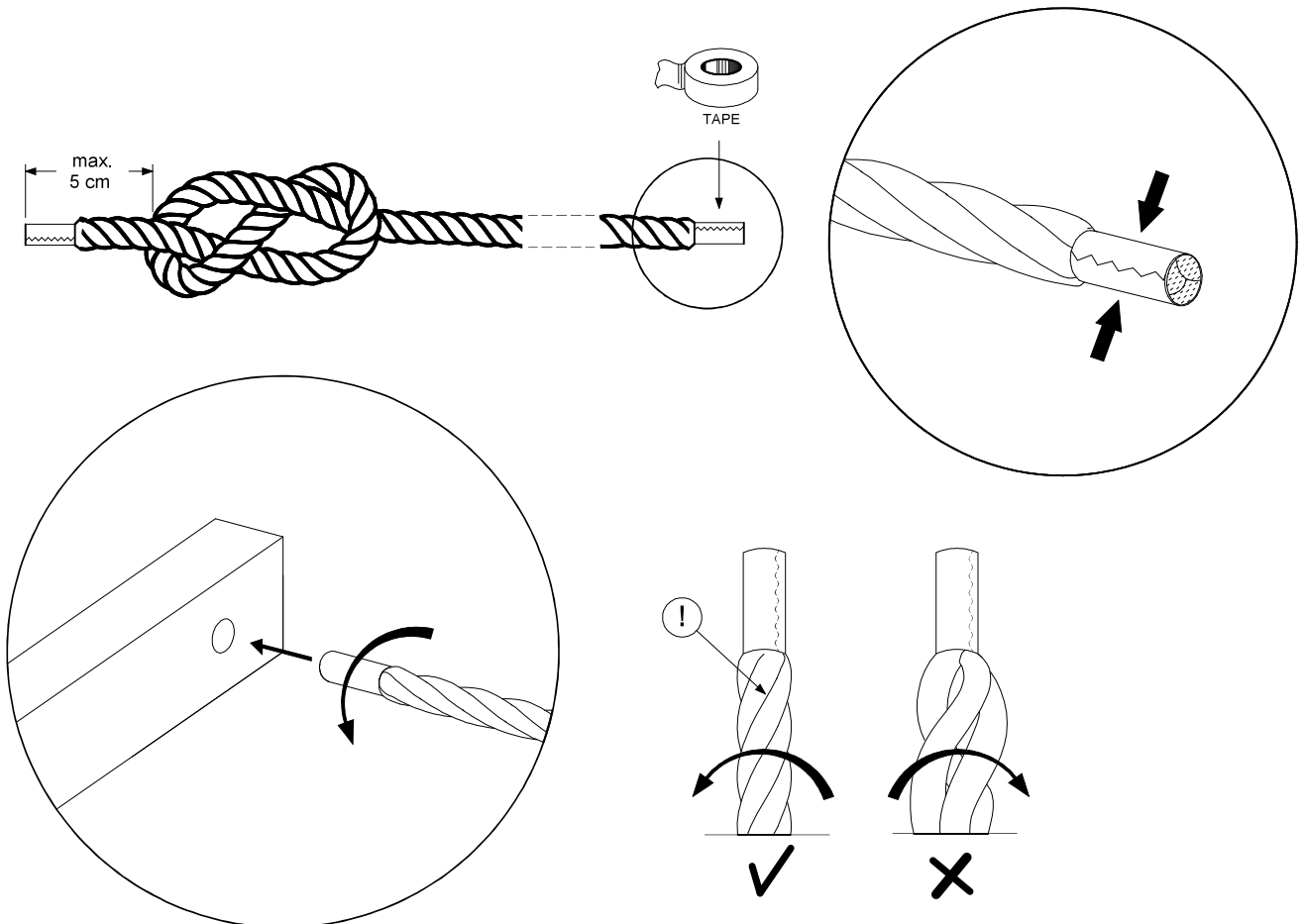
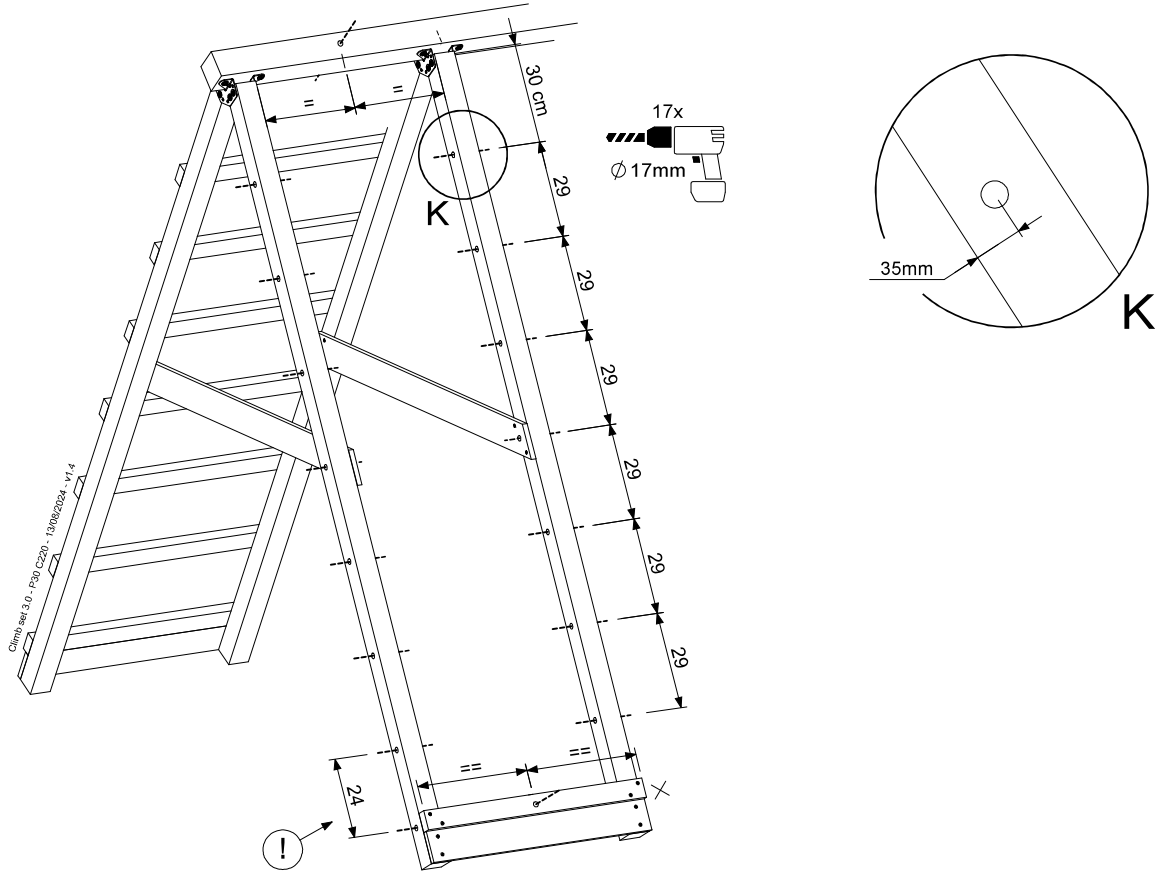
023_042

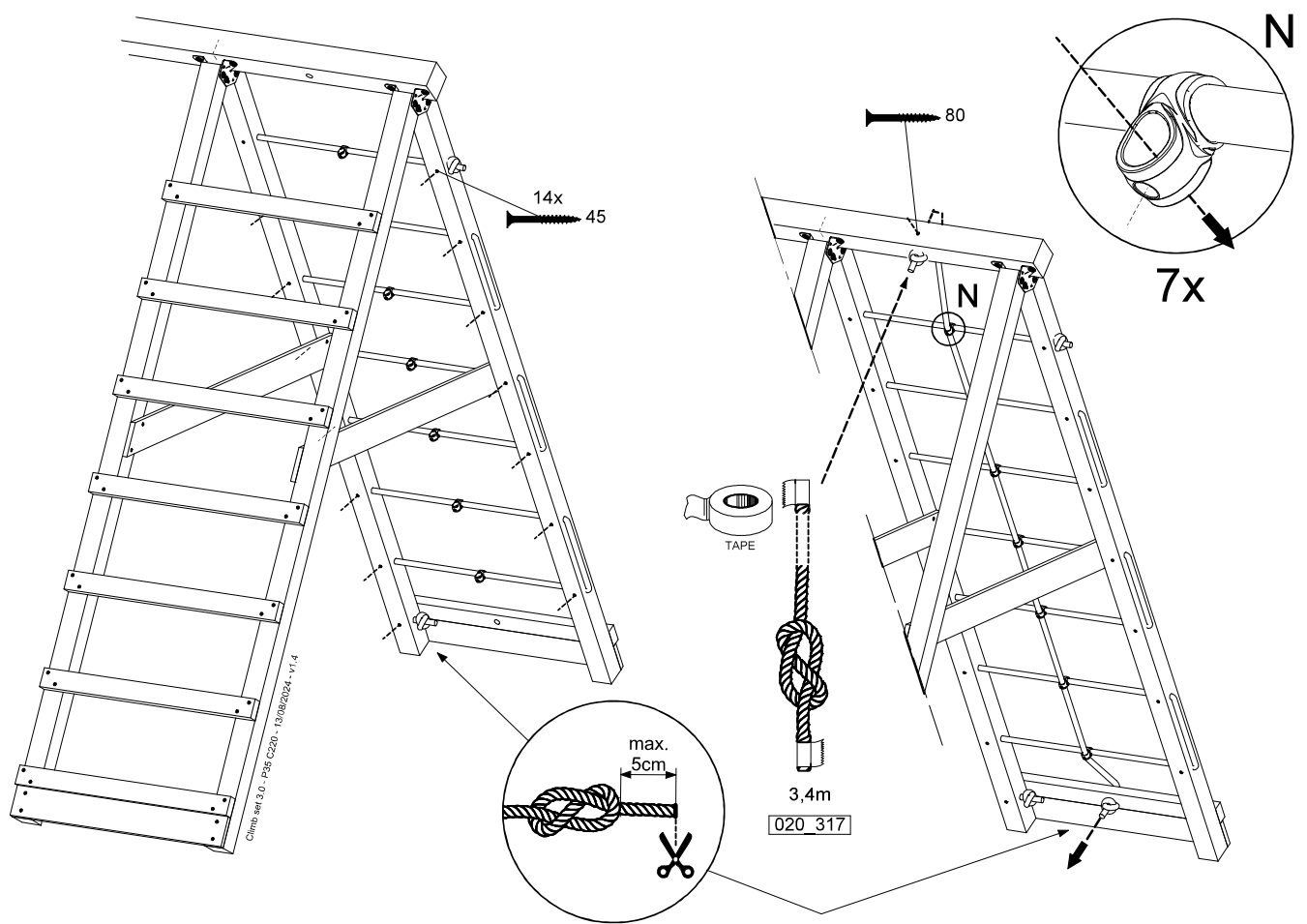
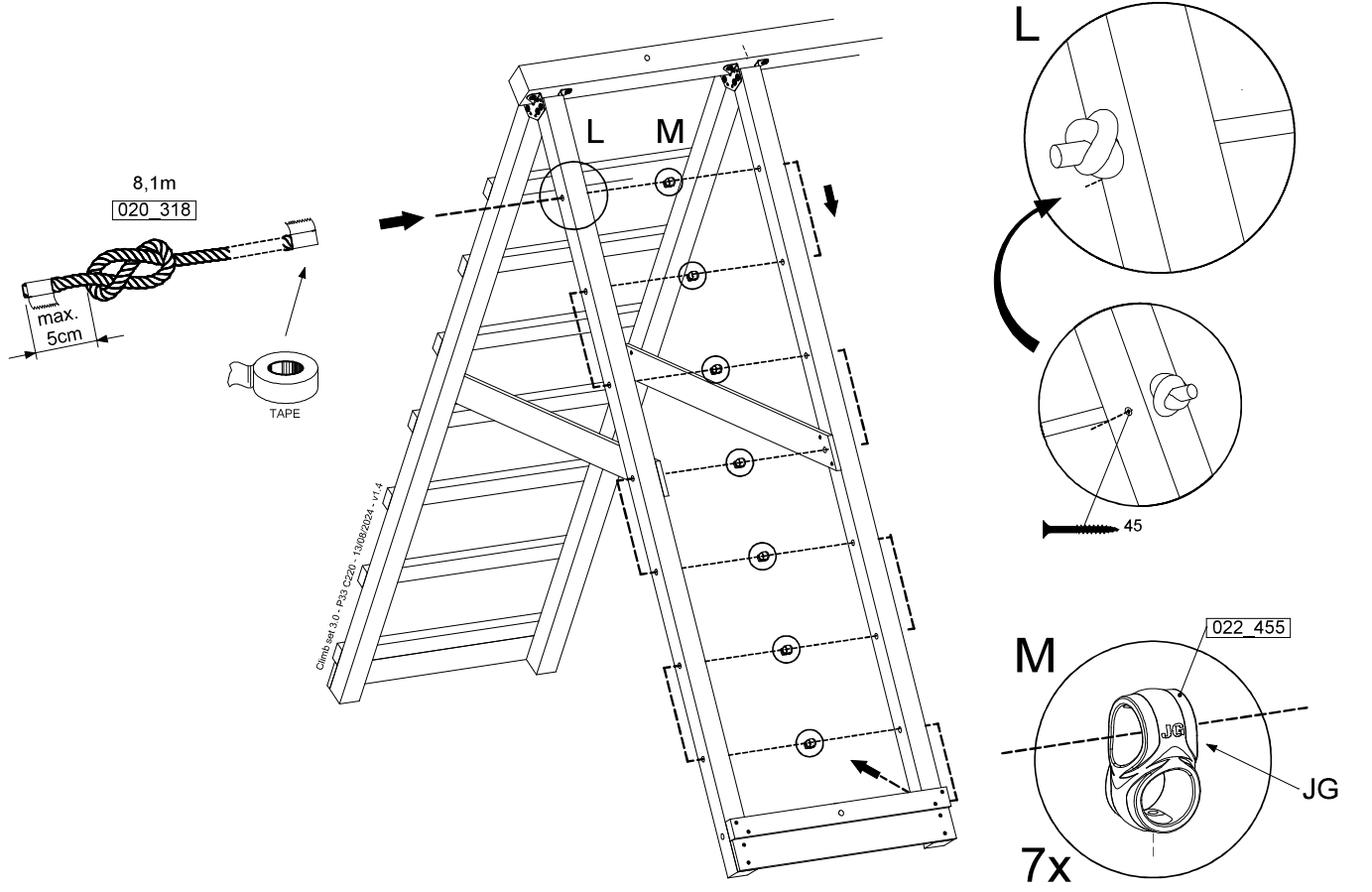


E'

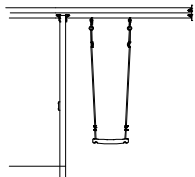
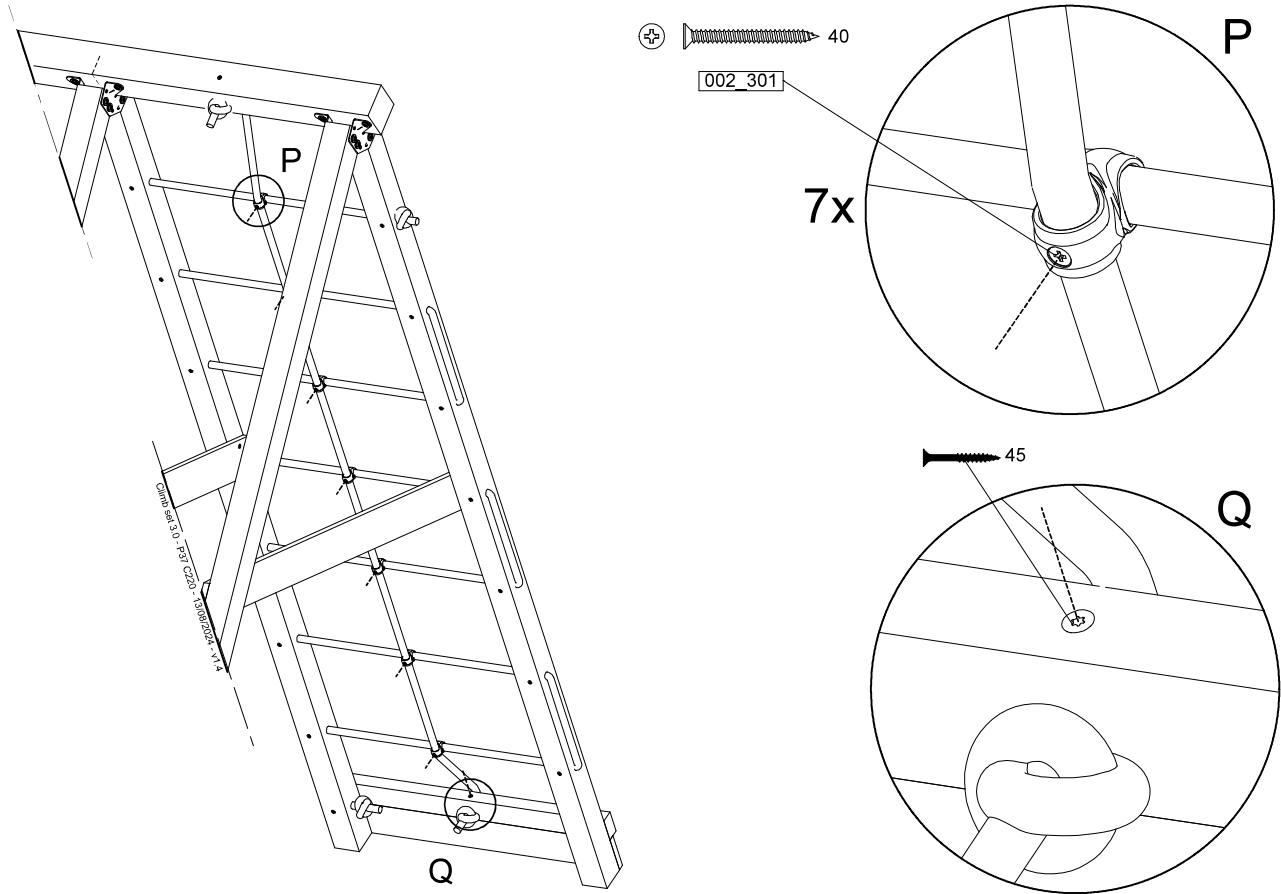
(E'')

13.6

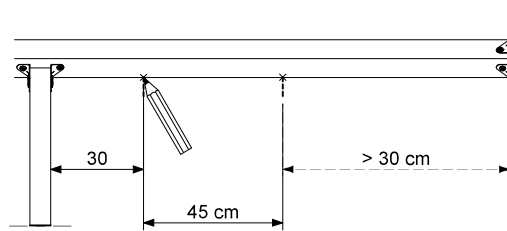




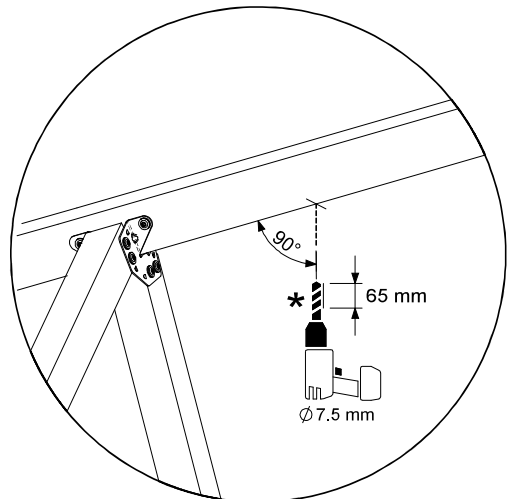
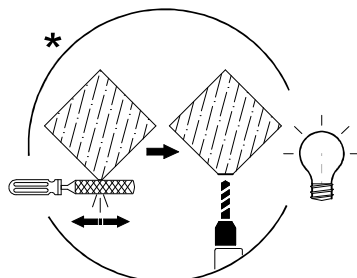
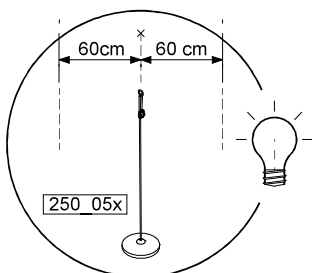
13.8

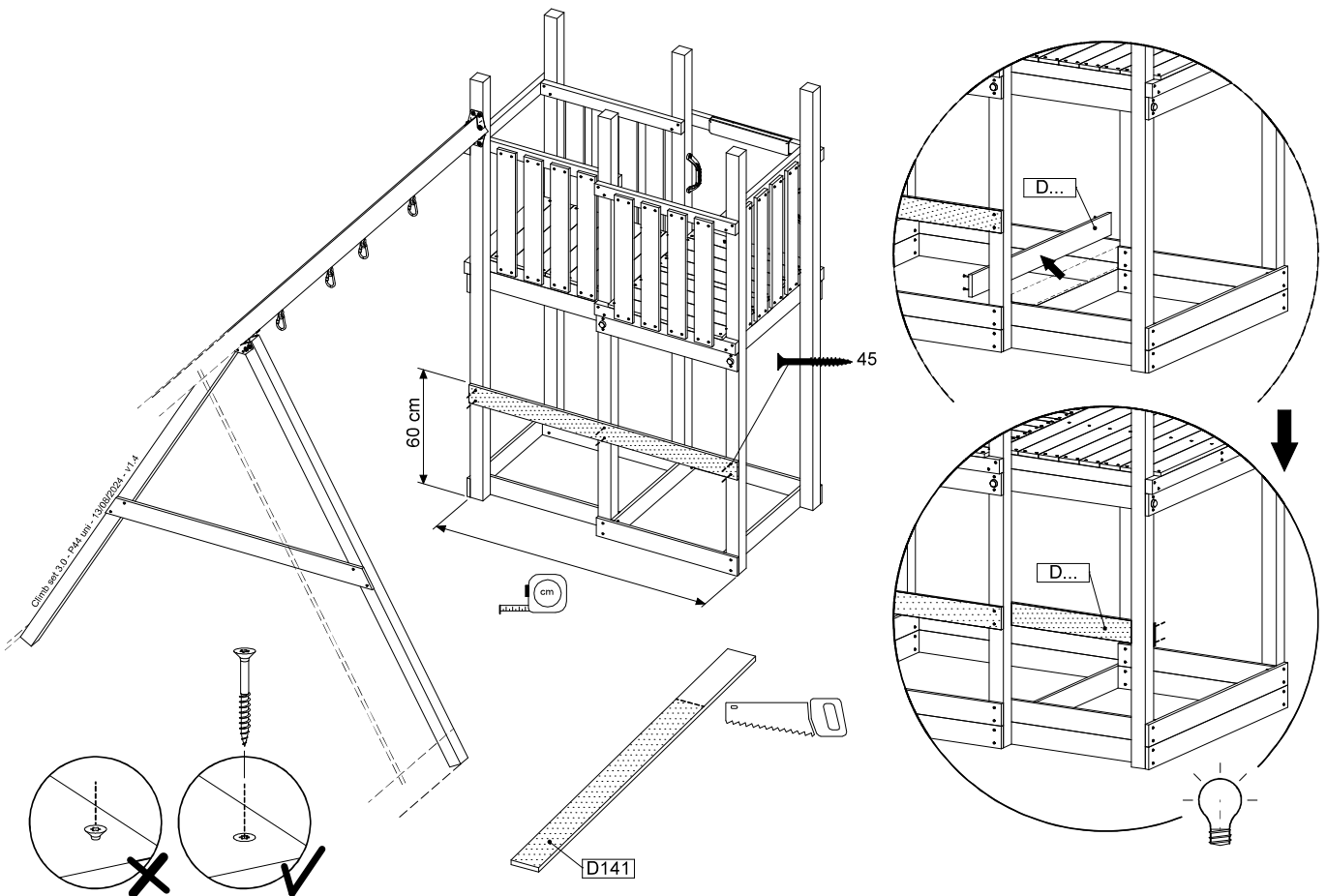
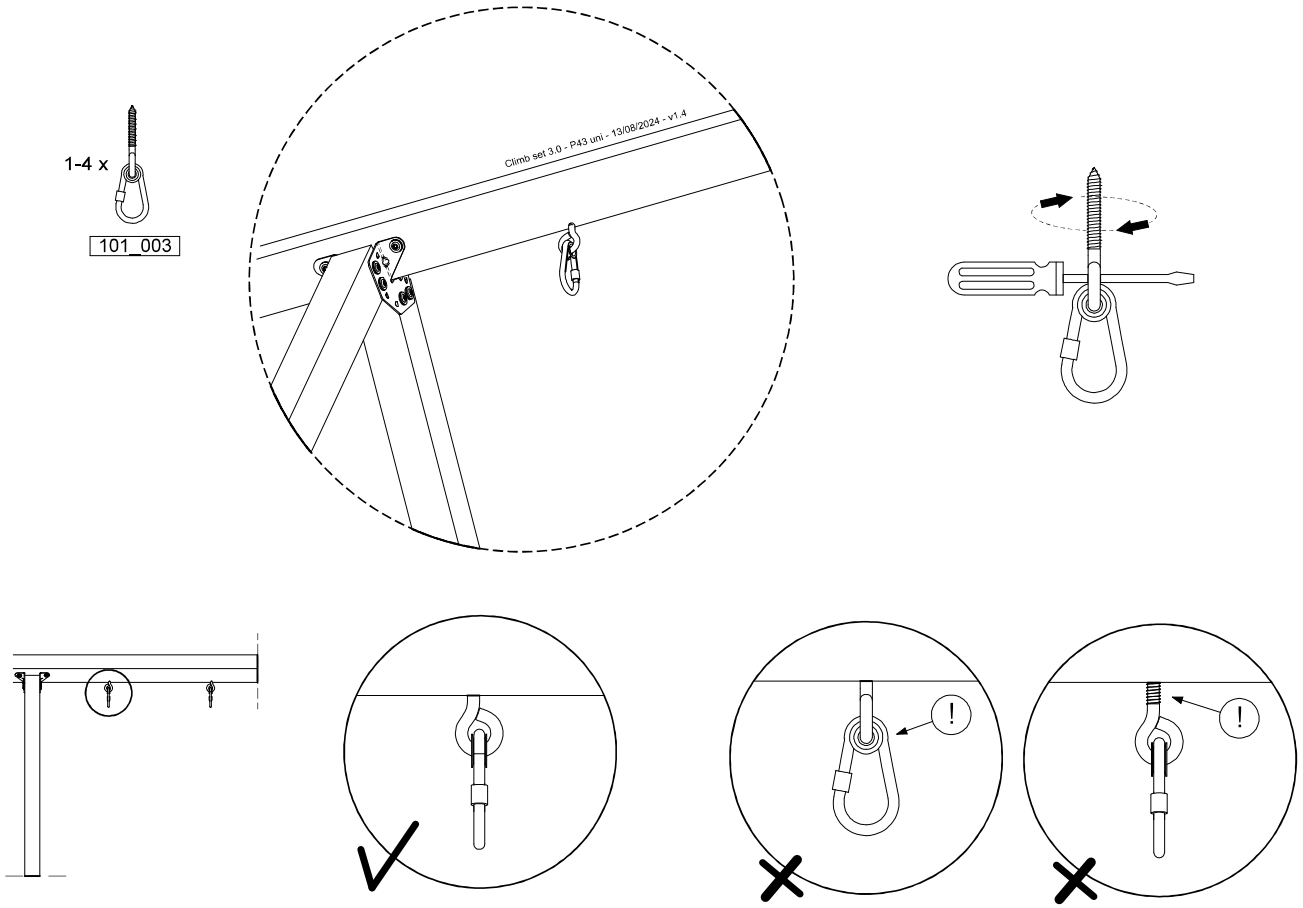


1-Swing position

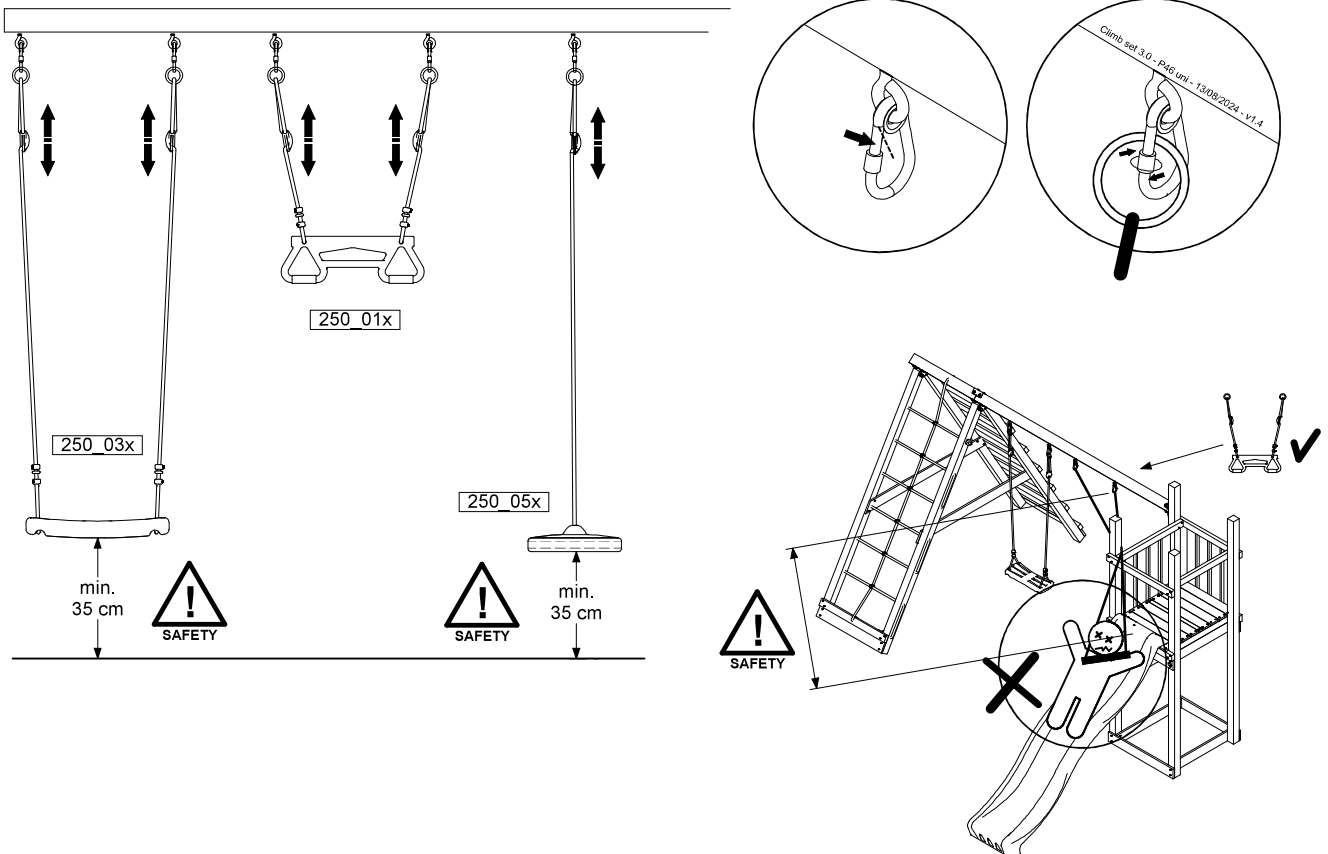
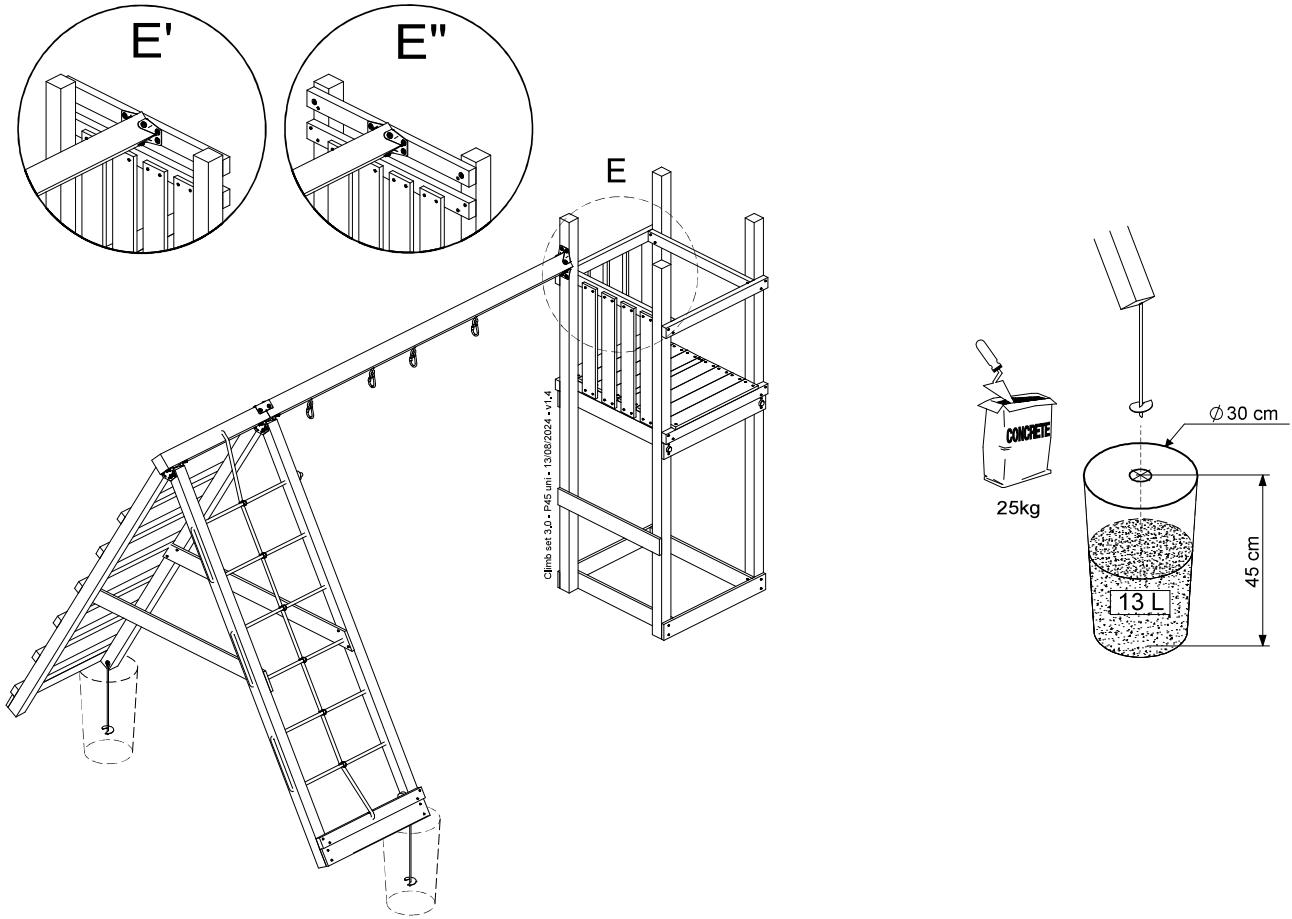


Clima set 3.0 - P40 15320 - 1308/2024 - v1.4





13.10

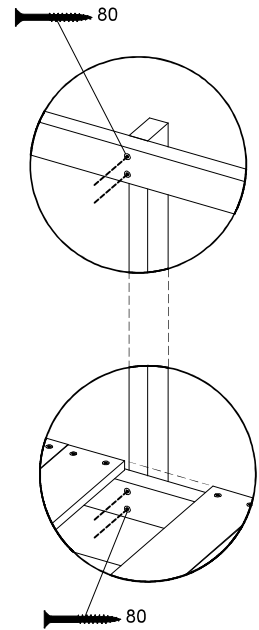
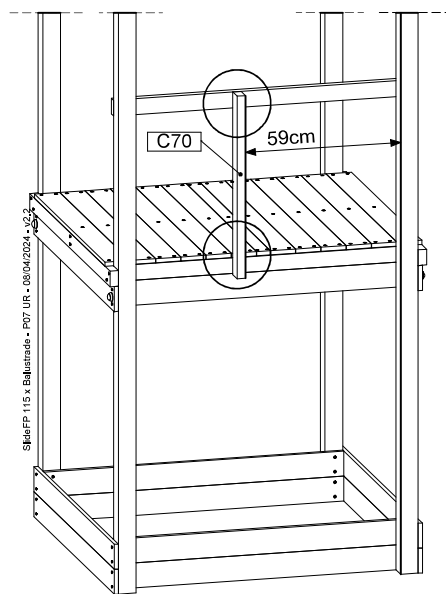
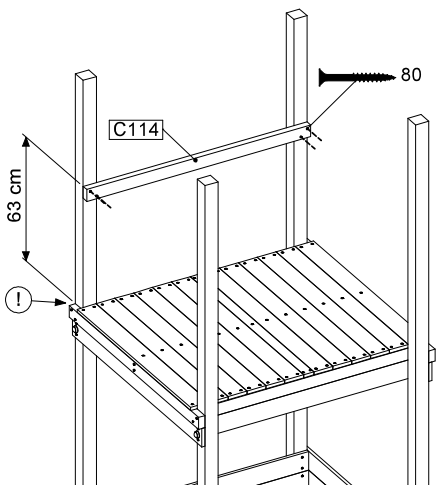
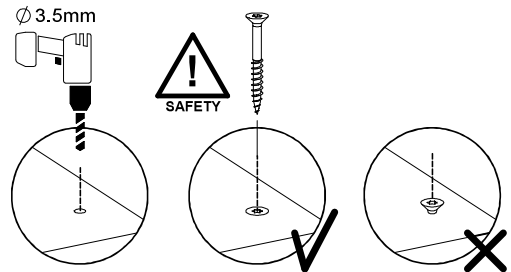
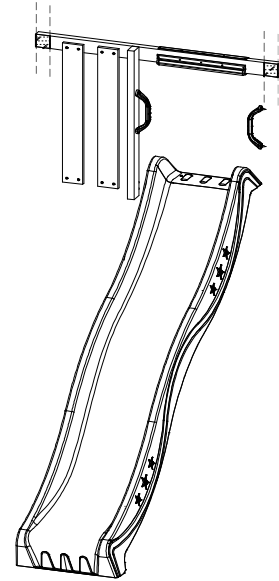


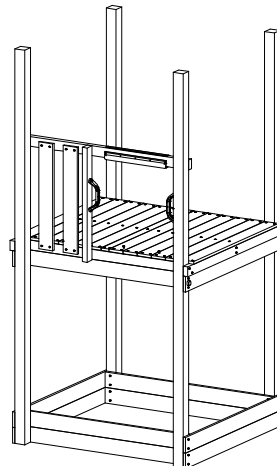
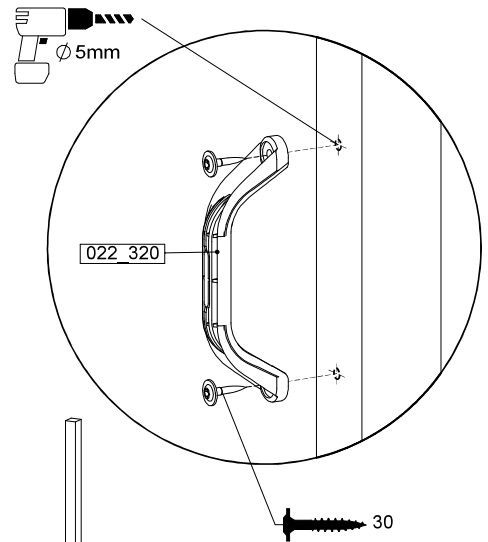
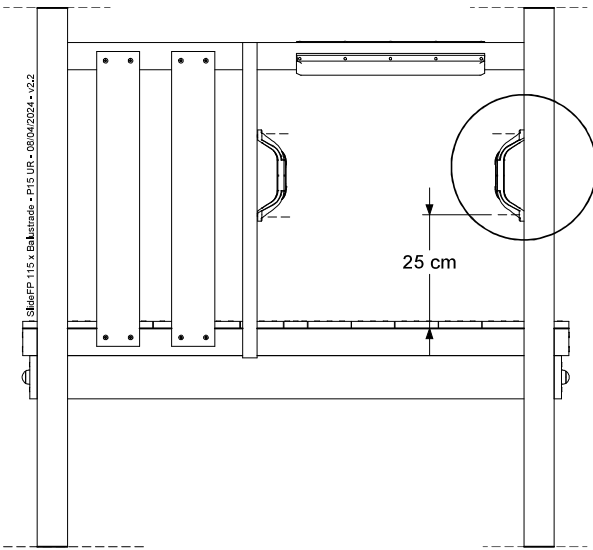
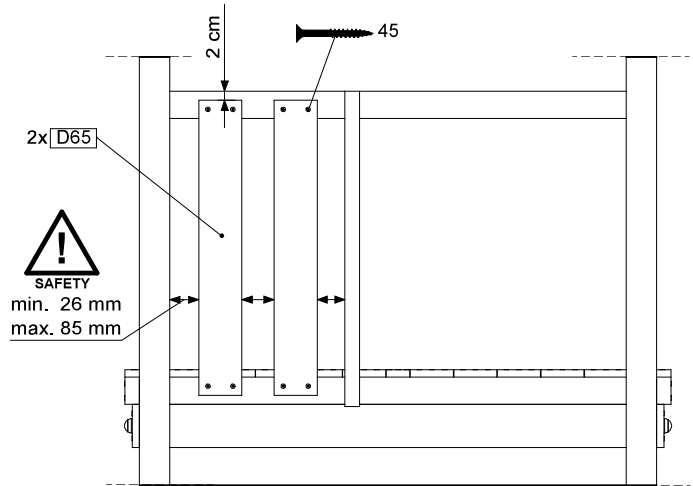
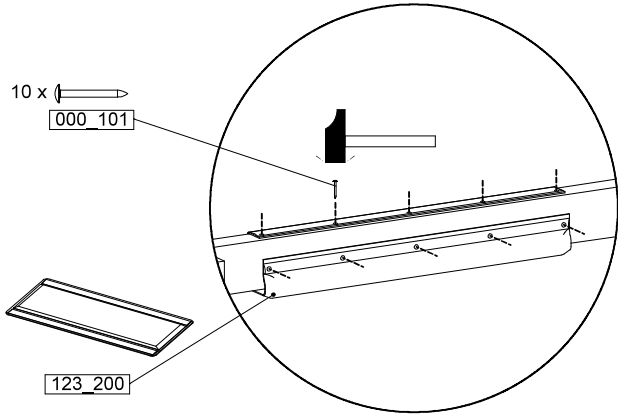
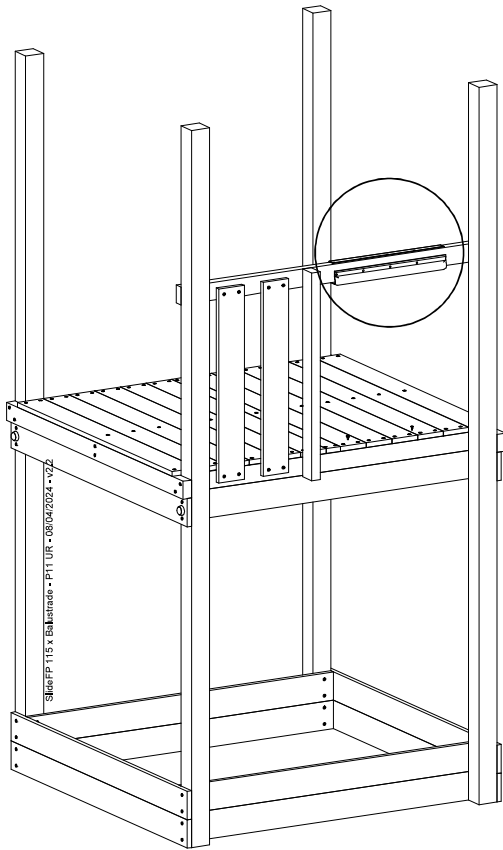
14 SL07a: Slide 115 125 U Right

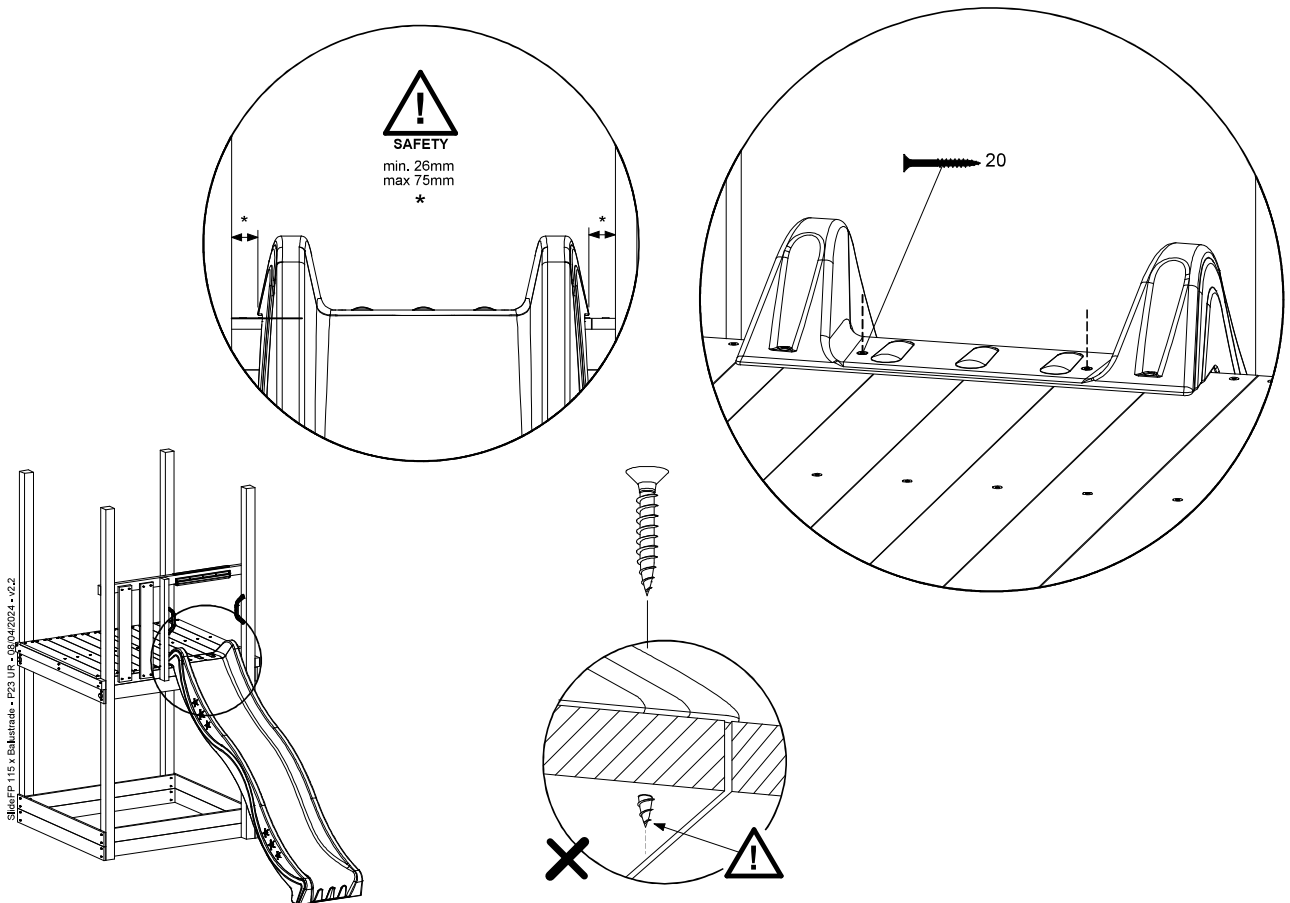
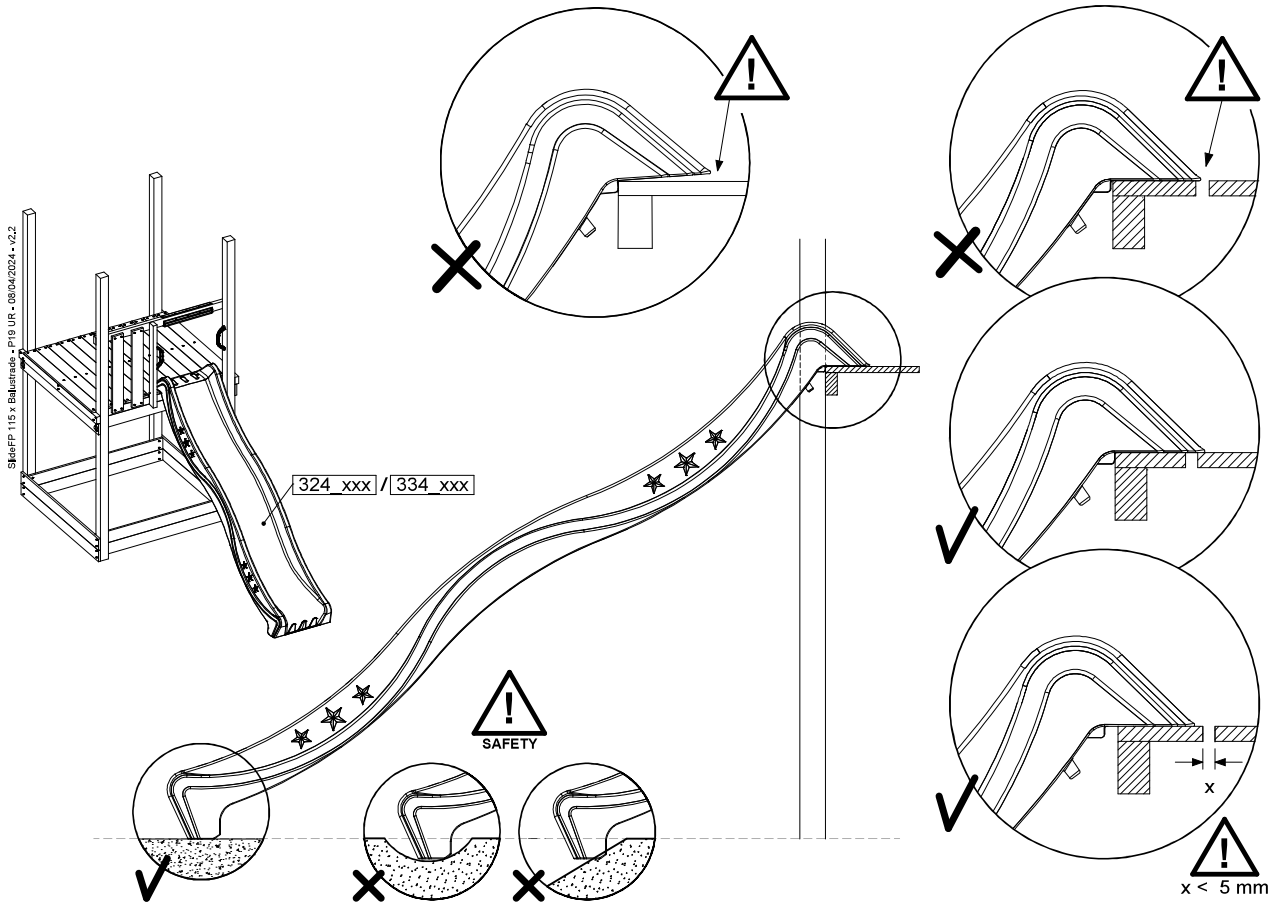
Assembly Packs: 194_107 + 194_101

	PartNo	PartName	QTY.
Hardware + Parts	000_101	Nail Pan Head	10
	002_220	Gap Point Screw T25 - 5x45	8
	002_223	Gap Point Screw T25 - 5x80	8
	002_308	Gap Point Screw T25 - 5x20	2
	120_102	Handgrip set (complete 2x)	1
	123_200	Bumperpad	1
	324_xxx 334_xxx	Wavy Star Slide XL 2200 mm / Wavy Star Slide XXL 2650 mm	1
Timber	C114	Beam 1140 mm	1
	C70	Beam 700 mm	1
	D65	Board 650 mm	2

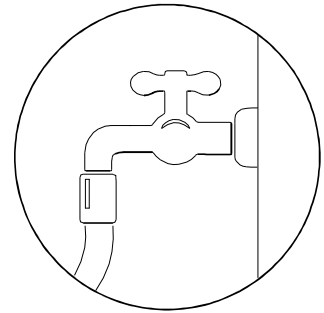
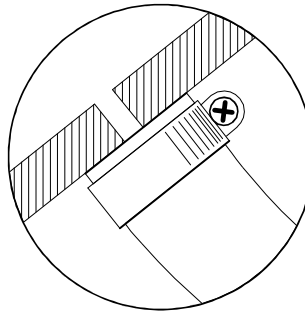
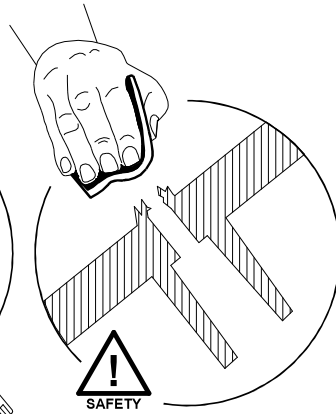
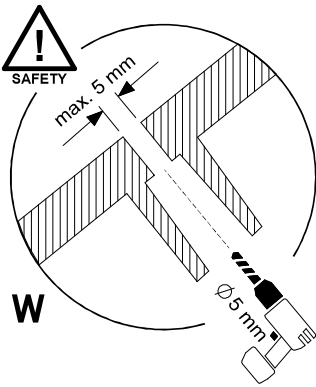
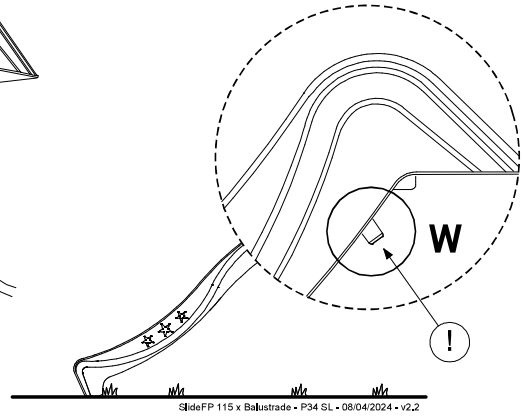
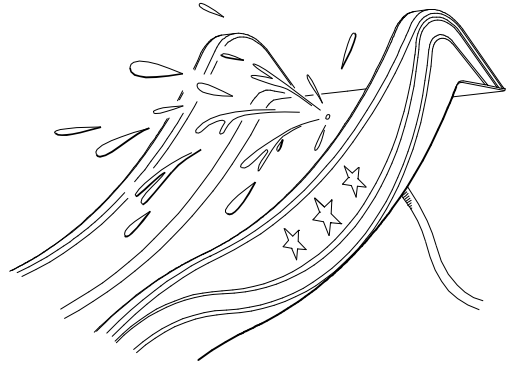
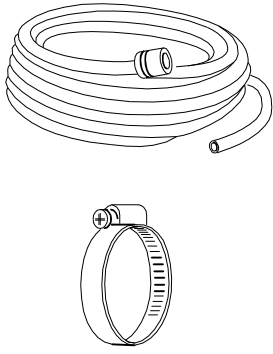
SlideFP 115 x Ballustrade • P07 UR • 08/04/2024 • v2.2







14.3

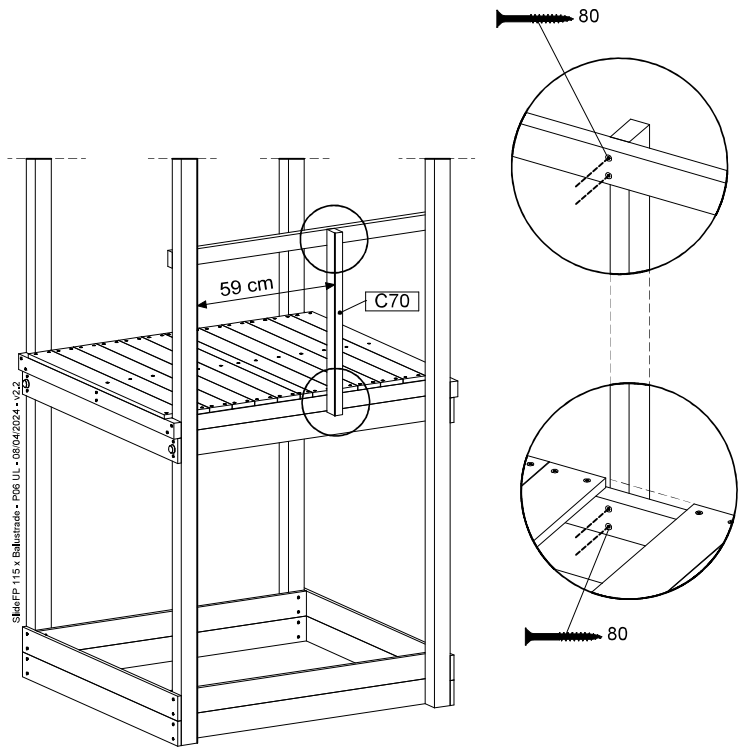
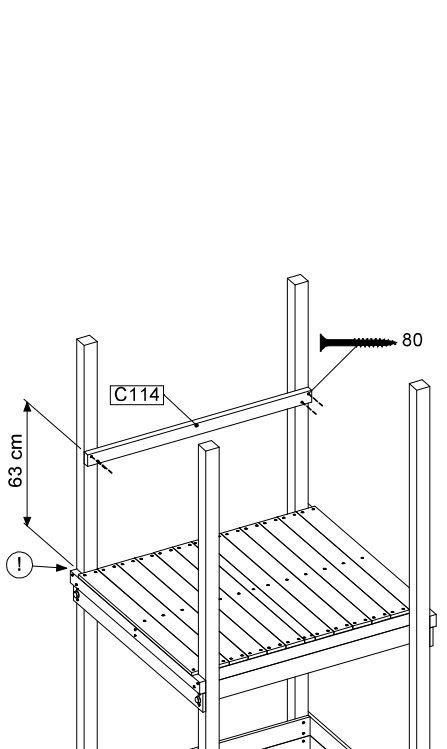
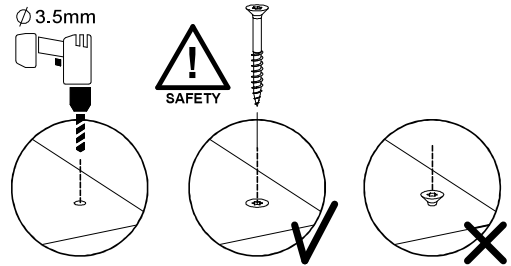
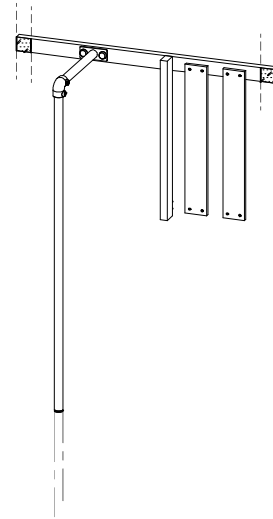


15 FP04a: Fireman's pole 115 Left U 125

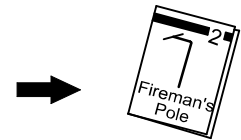
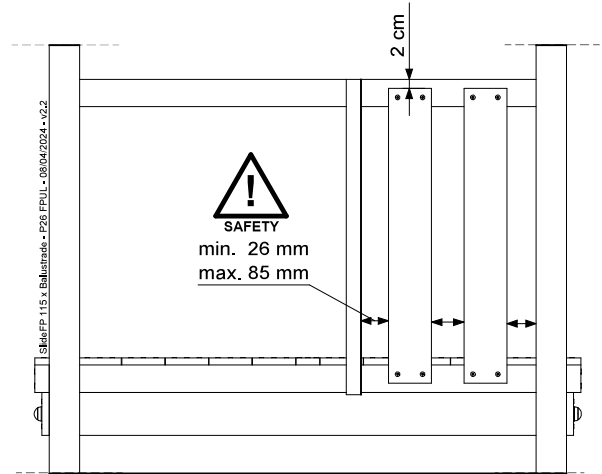
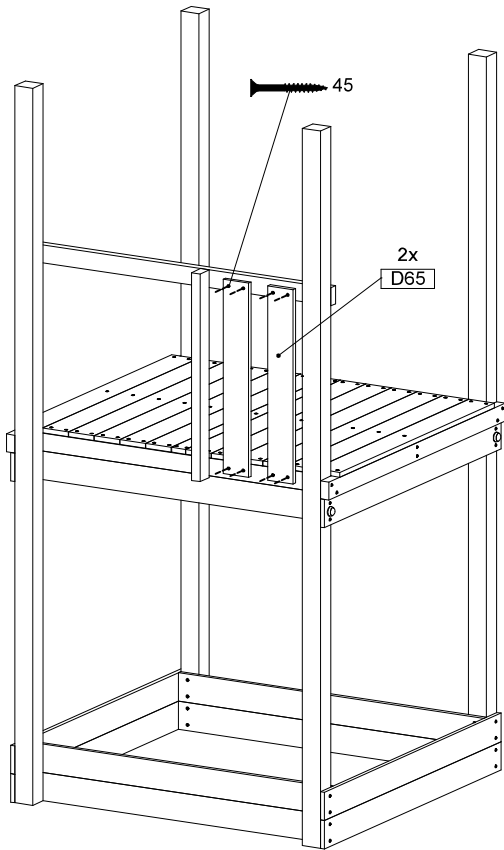
Assembly Packs: 201_275 + 194_101

	PartNo	PartName	QTY.
Hardware Pack 194_101	002_220	Gap Point Screw T25 - 5x45	8
	002_223	Gap Point Screw T25 - 5x80	4
Other	201_275	Fireman's Pole kit (incl. 4x Screw T25 5x80)	1
Timber	C70	Beam 700 mm	1
	C114	Beam 1140 mm	1
	D65	Board 650 mm	2

SlideFP 115 x Balustrade - P06 UL - 08/04/2024 - v2.2

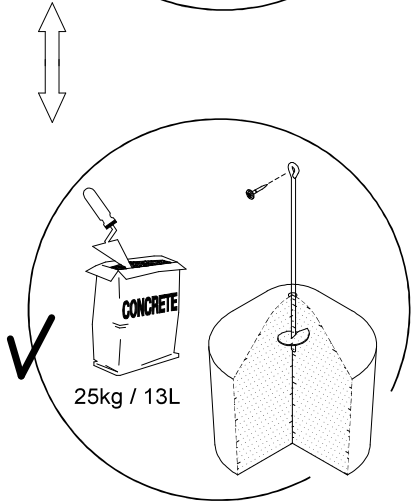
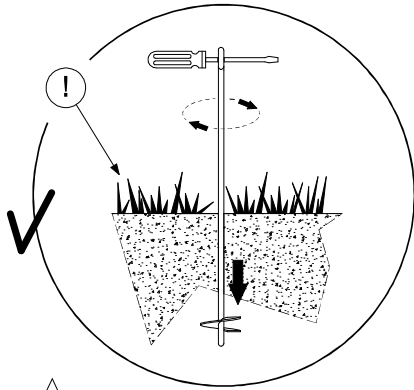


15.1

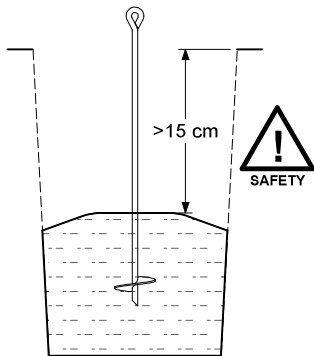
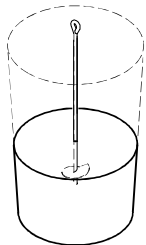
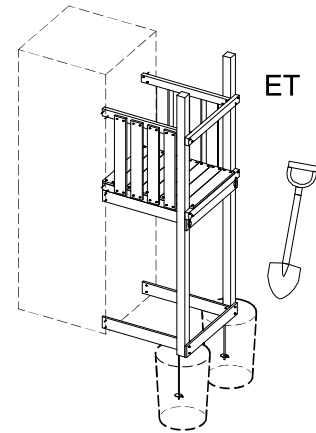
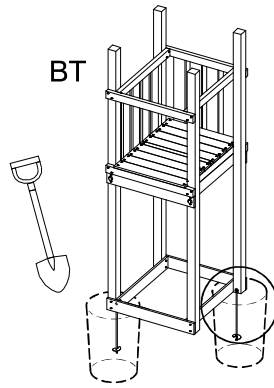
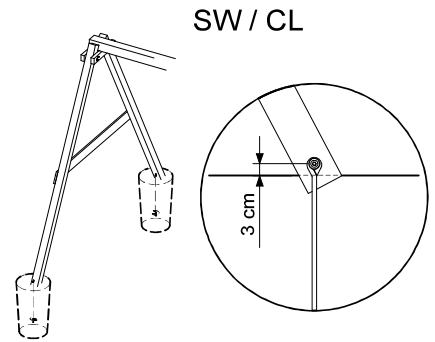
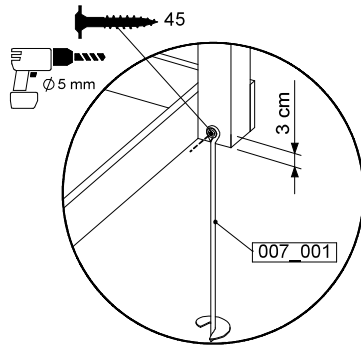


Fireman's Pole (201_275)
040_335 Part 2

16 GA: Ground Anchors



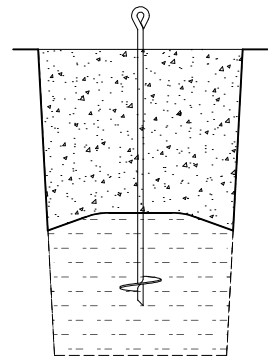
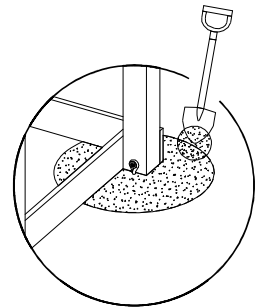
Ground Anchors Uni. - PD3 - 14/06/2024 - v1.5



1.



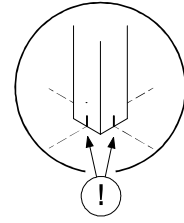
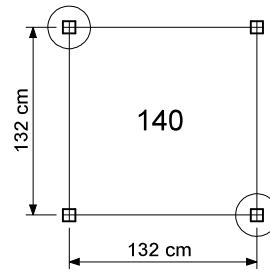
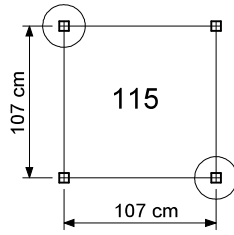
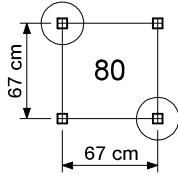
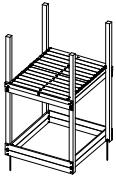
2.



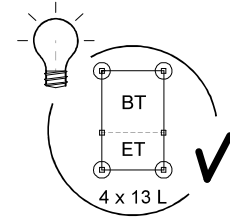
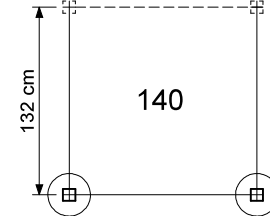
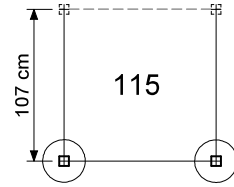
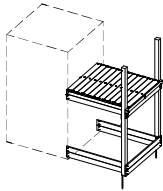
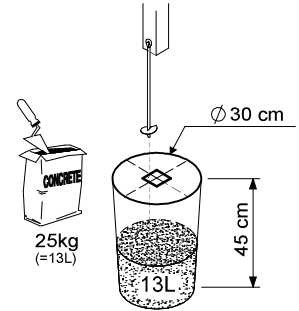
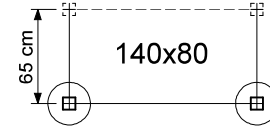
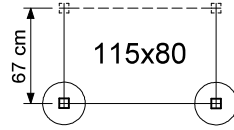
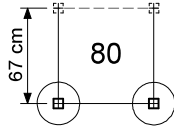
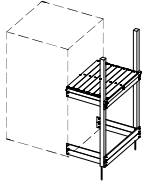
3.

Ground Anchors Uni. - PD4 - 14/06/2024 - v1.5

BASE TOWERS

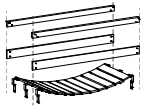


EXTENSION TOWERS

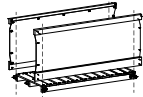


Ground Anchors Uni. - P01 - 14/06/2024 - v1.5

BRIDGES



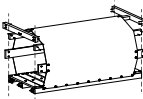
CLATTER



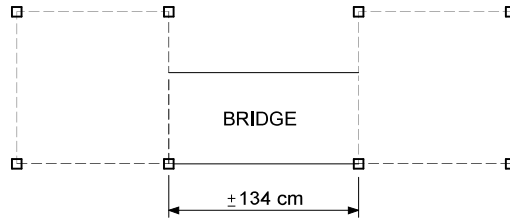
BOARDWALK



NET



TUNNEL

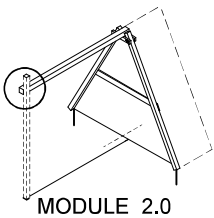


BRIDGE

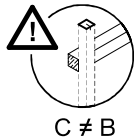
± 134 cm

Ground Anchors Uni. - P02 - 14/06/2024 - v1.5

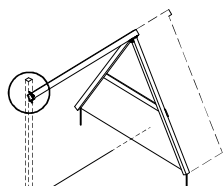
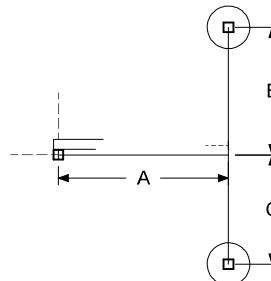
SWING / CLIMB



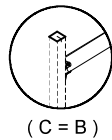
MODULE 2.0



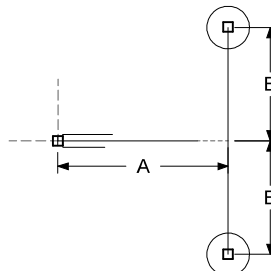
C ≠ B



MODULE 3.0



(C = B)



MODULE 2.0	Module type	A	B	C
	1-Swing 200	150	115	100
	1-Swing 220 (Extra)		120	105
	1-Climb 200	142		
	2-Climb 200		115	100
	2-Swing 200	210		
	1-Climb 220 (Extra)	162		
	2-Climb 220 (Extra)		120	105
	2-Swing 220 (Extra)	230		

cm

MODULE 3.0	Module type	A	B
	1-Swing 200 - 3.0	155	110
	1-Swing 220 (Extra) - 3.0		115
	1-Climb 200 - 3.0	148	
	2-Climb 200 - 3.0	222	110
	2-Swing 200 - 3.0	215	
	1-Climb 220 (Extra) - 3.0	170	
	2-Climb 220 (Extra) - 3.0	242	115
2-Swing 220 (Extra) - 3.0	235		

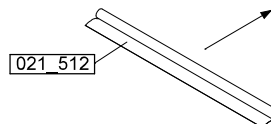
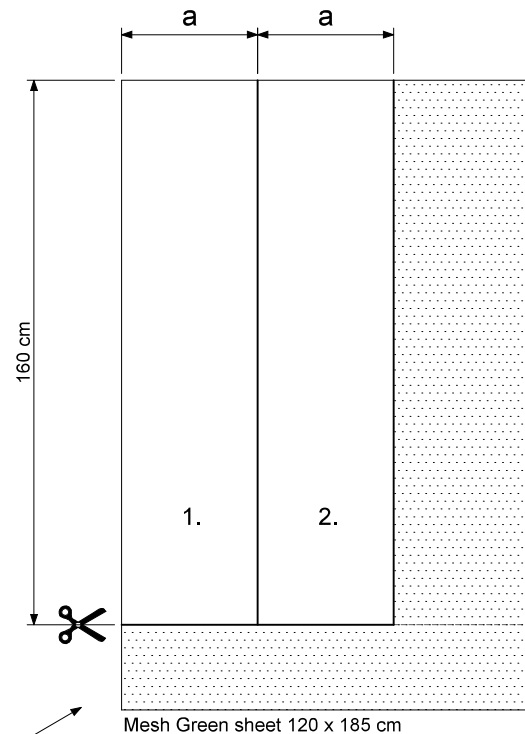
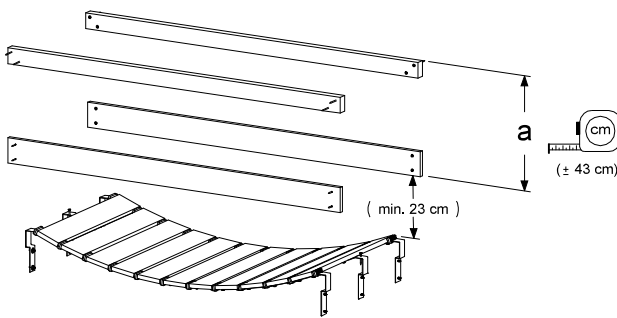
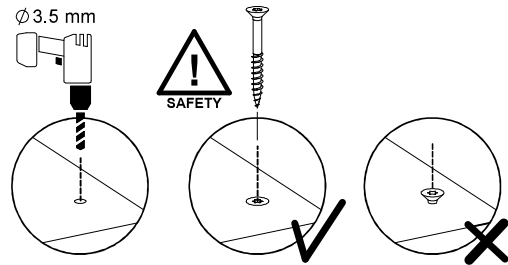
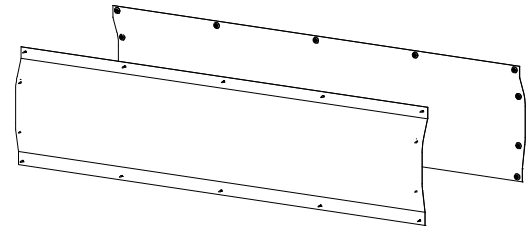
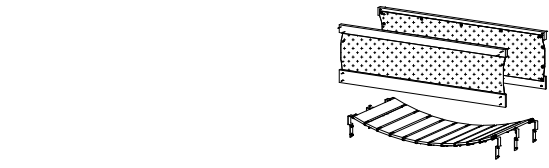
cm

17 AC30a: Bridge Mesh

(123_230)

	PartNo	PartName	QTY.
Hardware Packs 100_411	002_308	Gap Point Screw T25 - 5x20	28
	023_031	Finishing Washer GPS 5.0	28
Other	021_512	Mesh green 1.20 x 1.85m	1

AC Bridge Mesh - P02 - 05/06/2023 - v1



AC Bridge Mesh - P03 - 05/06/2023 - v1

17.1

