

# Assembly instructions

Activity toy to be assembled by adults for outdoor domestic use.

## Montageanleitung

Spielgerät, das von Erwachsenen zusammengebaut werden muss, für den häuslichen Außenbereich.

## Instructions de montage

Jouet d'activité à assembler par des adultes pour une utilisation extérieure familial.

# 2

PART

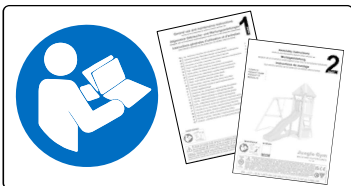
Design code: **YZYpbH**

Product name: **Jungle Pavillon 3.0**

Product number: **211422**



### OWNER MANUAL







3D VIEW

# Jungle Gym

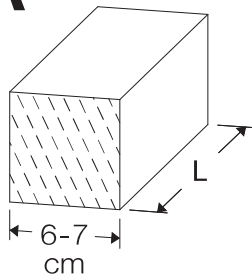
BACKYARD PLAYGROUNDS

since 1988

<p><b>Assembly time</b></p>  <p>9.0 hours by 2 adults v2711</p>	<p> <b>EN.</b> Warnings. Only for domestic use. Maximum number of users is 9. <b>DE.</b> Achtung. Nur für den Hausgebrauch. Maximale Benutzerzahl: 9. <b>FR.</b> Attention. Réserve à un usage familial. Le nombre maximal d'utilisateurs est de 9. <b>BG.</b> Внимание. За употреба само в домашни условия. Максималният брой потребители е 9. <b>CS.</b> Varování. Jen pro domácí použití. Maximální počet uživatelů je 9. <b>DA.</b> Advarsel. Kun til privat brug. Maksimum antal brugere er 9. <b>EL.</b> Προειδοποίησης. Μόνο για οικιακή χρήση. Μέγιστος αριθμός χρηστών 9. <b>ES.</b> Advertencias. Sólo para uso doméstico. Número máximo de usuarios: 9. <b>ET.</b> Hoiatused. Ainult koduseks kasutamiseks. Maksimaalne kasutajate arv on 9. <b>FI.</b> Varoitukset. Ainoastaan kotikäyttöön. Käyttäjää yhteensä enintään 9. <b>HR.</b> Upozorenja. Samo za kućansku uporabu. Maksimalan broj korisnika je 9. <b>HU.</b> Figyelmeztetések. Csak otthoni használatra! A használók max. száma: 9. <b>IS.</b> Varnaðarorð. Eingöngu fyrir einkanotkun í heimahúsum og á einkalöum. Hámarksfjöldi notenda er 9. <b>IT.</b> Avvertenze. Solo per uso domestico. Massimo numero di utenti è 9. <b>LT.</b> Įspėjimai. Tik buitiniam naudojimui. Maksimalus naudotojų skaičius 9. <b>LV.</b> Brīdinājumi. Izmantot tikai mājās. Maksimālais lietotāju skaits ir 9. <b>NL.</b> Waarschuwingen. Uitsluitend voor huishoudelijk gebruik. Het maximale aantal gebruikers is 9. <b>NO.</b> Advarsel. Kun for privat bruk. Maksimalt antall brukere er 9. <b>PL.</b> Ostrzeżenia. Wyłącznie do użytku domowego. Maksymalna liczba użytkowników to 9. <b>PT.</b> Avisos. Apenas para uso doméstico. O número máximo de utilizadores é 9. <b>RO.</b> Avertismente. Numai pentru uz domestic. Numărul maxim de utilizatori este 9. <b>SK.</b> Upozornenia. Iba na domáce použitie. Maximálne množstvo osôb je 9. <b>SL.</b> Opozorila. Samo za domačo uporabo. Maksimalno število uporabnikov je 9. <b>SV.</b> Varningar. Endast för hemmabruk. Det maximala antalet användare är 9.</p>	<p><b>UK</b> <b>CA</b> <b>CE</b></p>  
---	---	--

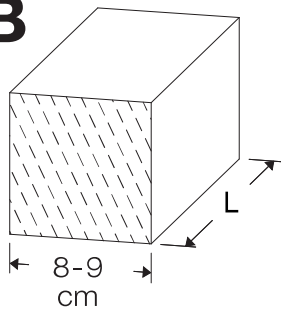
**Identifying and inventorying of the individual timber parts**  
**Identifizierung und inventarisieren der der einzelnen Holzteile**  
**Identification et inventorier les pièces en bois individuels**

**A**



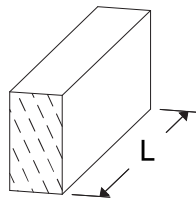
ID	L	#
A141	140 cm - 141 cm	1
A220	219 cm - 220 cm	10
A240	239 cm - 240 cm	4

**B**



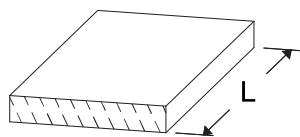
B74	73 cm - 74 cm	1
B220	219 cm - 220 cm	1

**C**



C37	36 cm - 37 cm	7
C70	69 cm - 70 cm	3
C74	73 cm - 74 cm	24
C84	83 cm - 84 cm	3
C90	89 cm - 90 cm	2
C96	85 cm - 96 cm	2
C114	113 cm - 114 cm	10
C141	140 cm - 141 cm	4
C150	149 cm - 150 cm	2
C154	153 cm - 154 cm	2
C186	185 cm - 186 cm	1

**D**

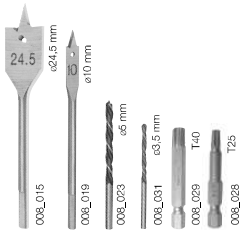


D47	46 cm - 47 cm	1
D56	53,5 cm - 56 cm	2
D60	59 cm - 60 cm	28
D65	64 cm - 65 cm	25
D74	73 cm - 74 cm	37
D100	99 cm - 100 cm	29
D114	113 cm - 114 cm	23
D127	126 cm - 127 cm	24
D141	140 cm - 141 cm	3

**Overview of the contents of the standard included start package**  
**Übersicht über den Inhalt des standardmäßig enthaltenen Startpakets**  
**Aperçu du contenu du pack de démarrage inclus standard**



**Overview of the bit and drill bit references**  
**Übersicht über die Bit- und Bohrer-Referenzen**  
**Aperçu des références des embouts et des forêts**



**Overview of all hardware and part references for identification**  
**Übersicht über alle Hardware- und Teile-Referenzen zur Identifizierung**  
**Aperçu de toutes les références de matériel et de pièces pour identification**

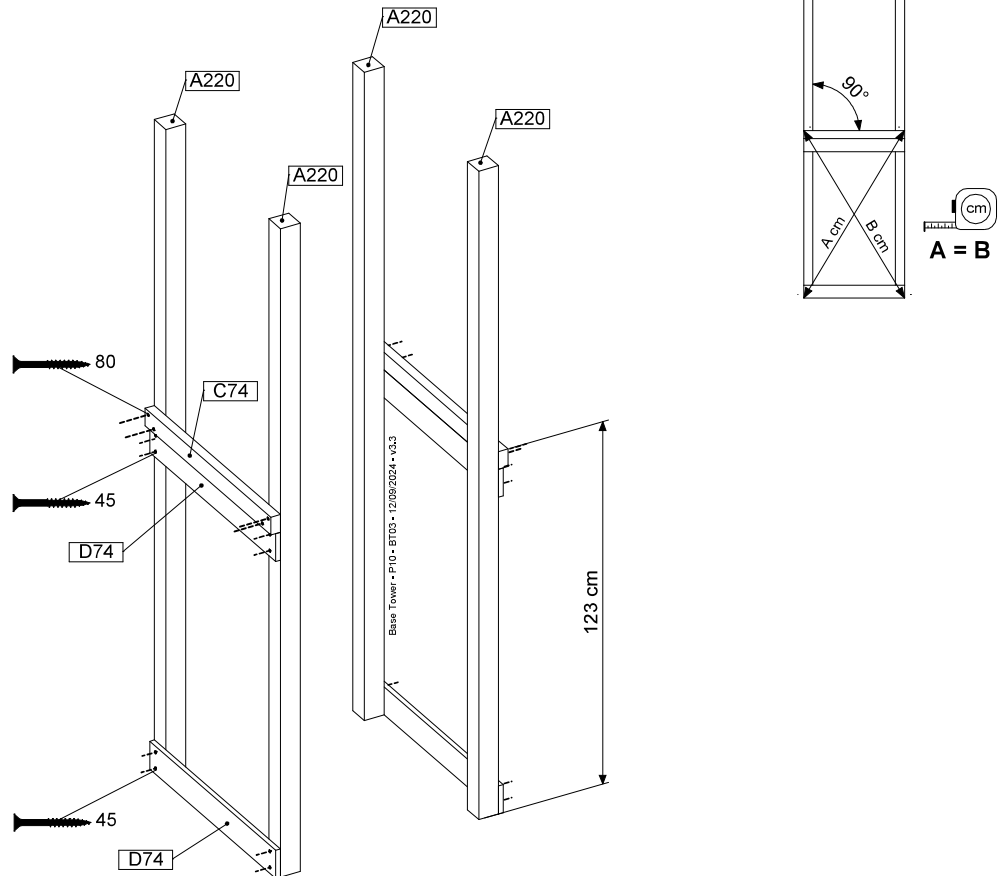
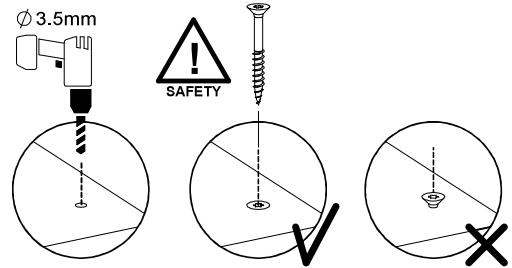
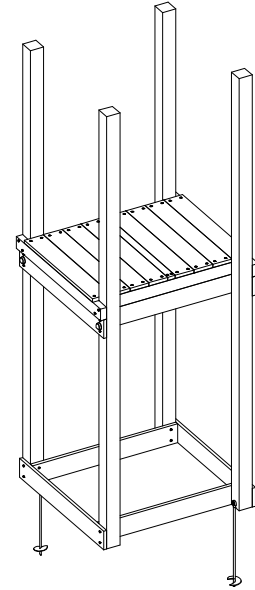
		#	L			#	L	
 ø 5 T-40	 8.8	 ø 8.0 mm L	001_404	30 mm	 ø 5.0 mm L	002_308	20 mm	
			001_406	45 mm		002_219	30 mm	
			001_411	60 mm		002_220	45 mm	
			001_417	80 mm		002_223	80 mm	
			001_422	137 mm				
 ø 10 T-40	 8.8	 M8 L	001_102	30 mm	 ø 10 L	 M8	004_050	22mm
 ø 3.5 T-25	 8.8	 ø 2.0 mm L	000_101	20 mm	 M8	 M6	003_010	
 ø 3.5 PH-2	 8.8	 ø 6.3 mm L	002_036	16 mm	 M6	 M6	003_034	
 ø 3.5 PH-2	 8.8	 ø 4.5 mm L	002_041	20 mm	 M6	 M6	022_845	Yellow
 ø 3.5 PH-2	 8.8	 ø 3.5 mm L	002_042	13 mm	 M6	 M6	022_847	Green
 ø 3.9 mm PH-2	 8.8	 ø 3.5 mm L	002_042	13 mm	 M6	 M6	023_031	White
 ø 3.9 mm PH-2	 8.8	 ø 3.9 mm L	002_301	40 mm	 M6	 M6	120_005	White

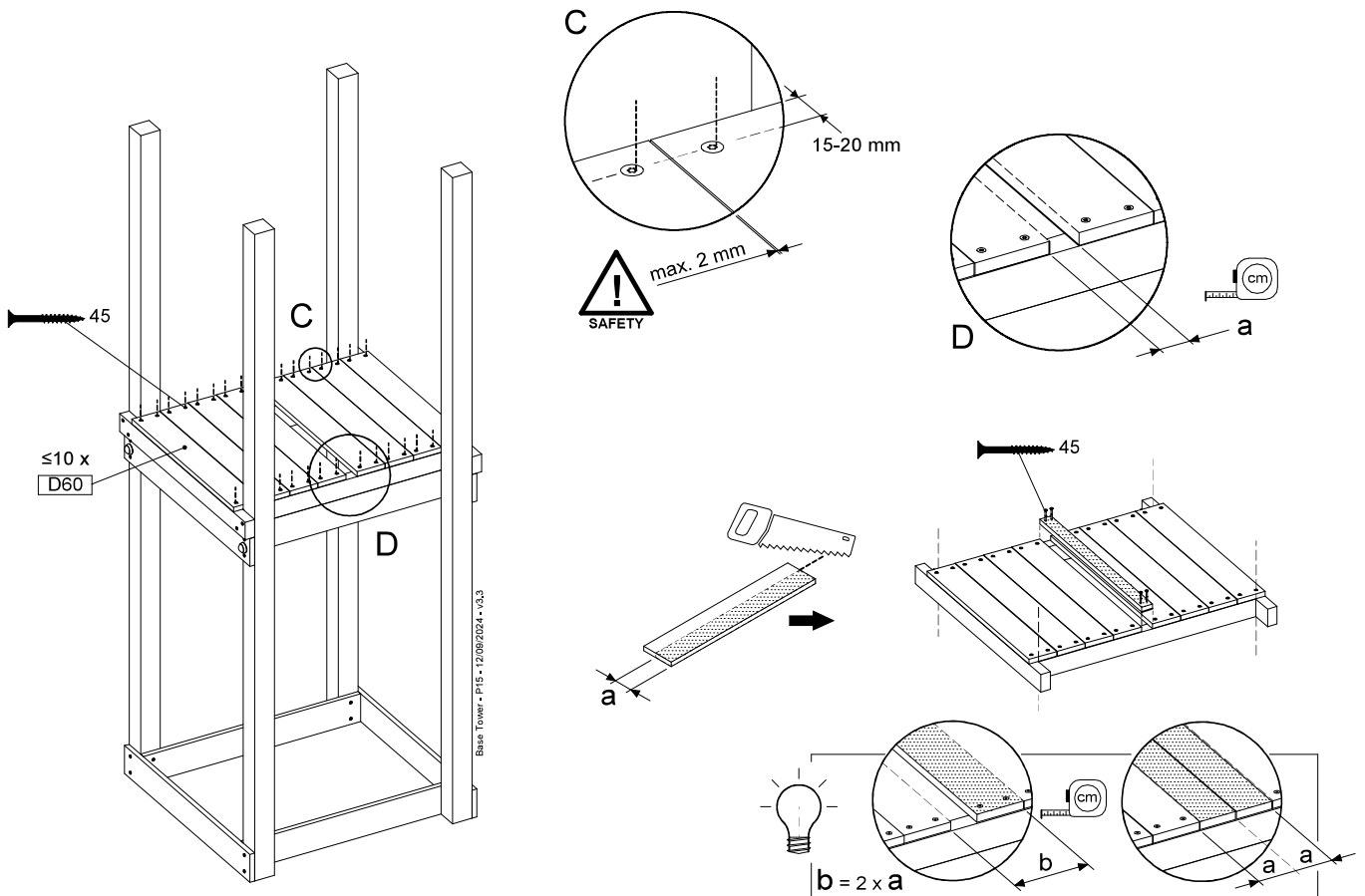
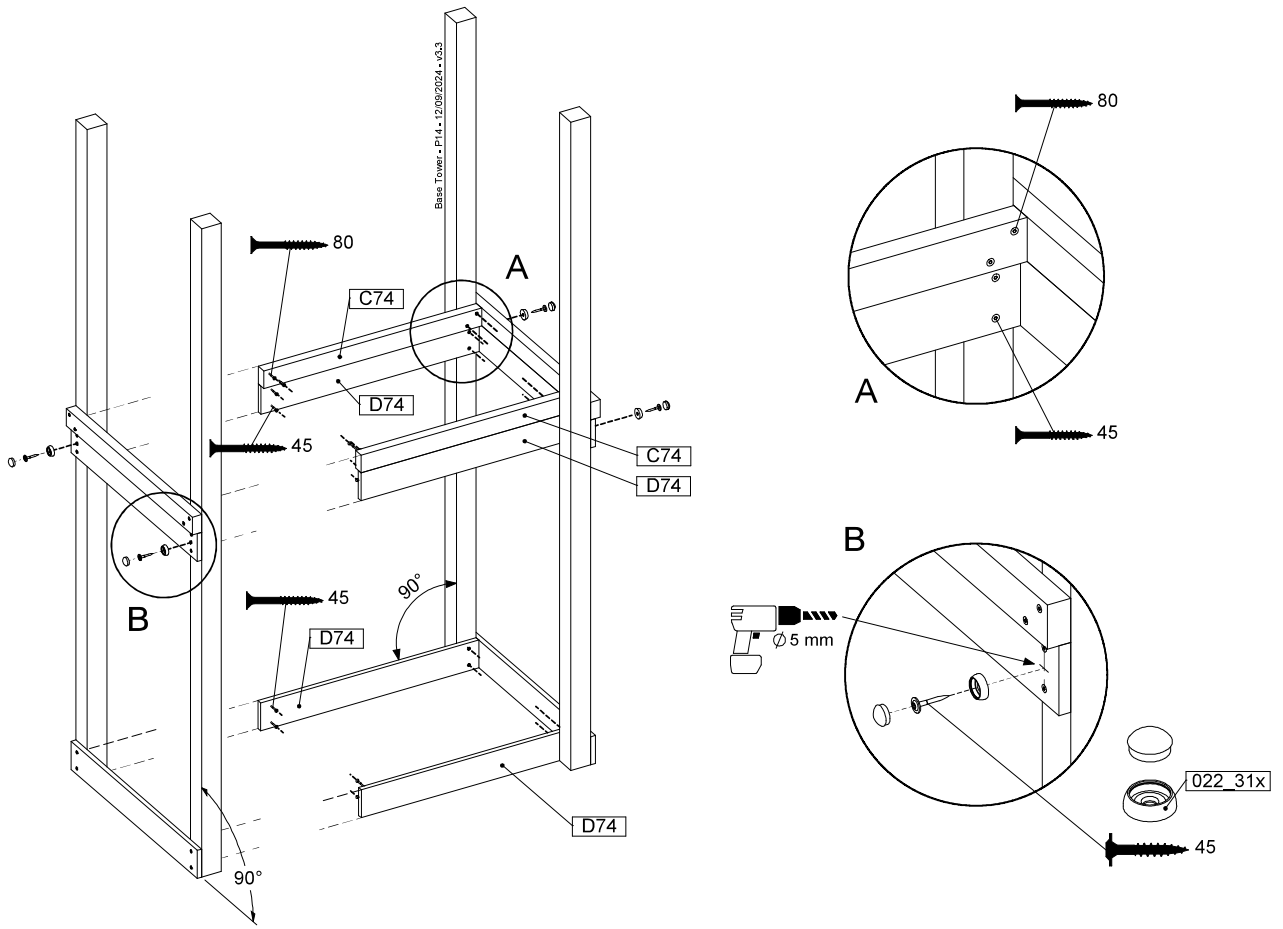
# 1 BT03a: Base Tower 80 125cm 220220

Assembly Pack: 194\_100

	PartNo	PartName	QTY.
Hardware + Parts	001_406	Stealth Screw 8x45	6
	002_220	Gap Point Screw T25 - 5x45	72
	002_223	Gap Point Screw T25 - 5x80	16
	007_001	Ground-anchor	2
	022_31x	bpc-base version 3	4
	022_84x	bpc cover	4
Timber	A220	Post ca.70x70 L2200	4
	C74	Beam 740 mm	4
	D60	Board 600 mm	10
	D74	Board 740 mm	8

Base Tower - P10 - BT03 - 12/09/2024 - v3.3



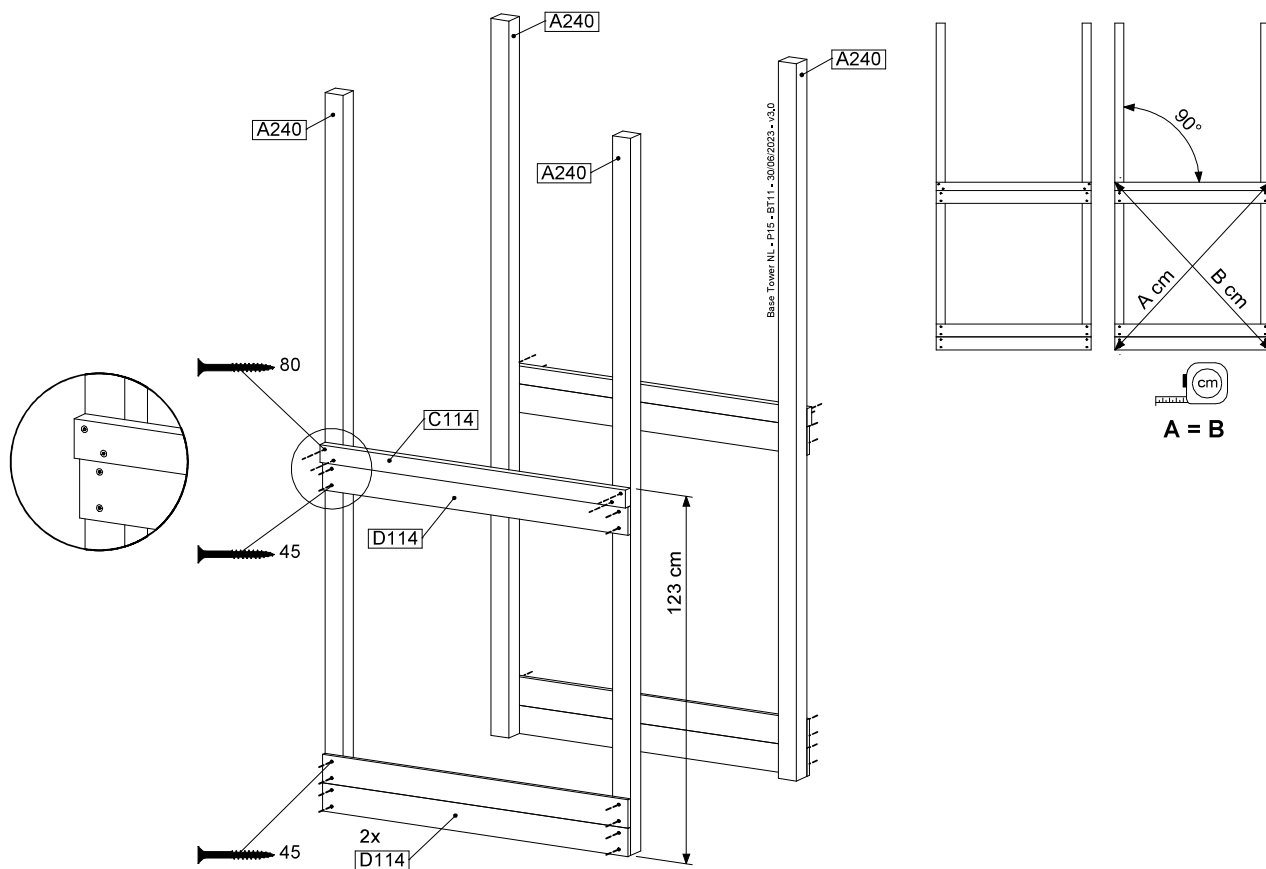
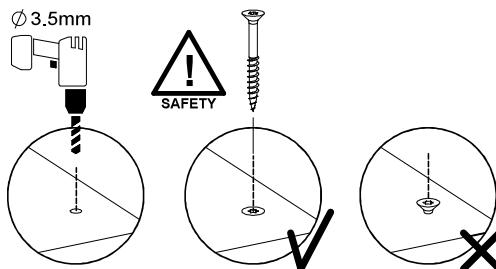
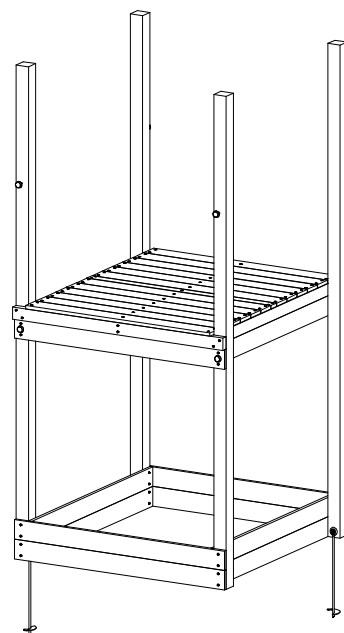


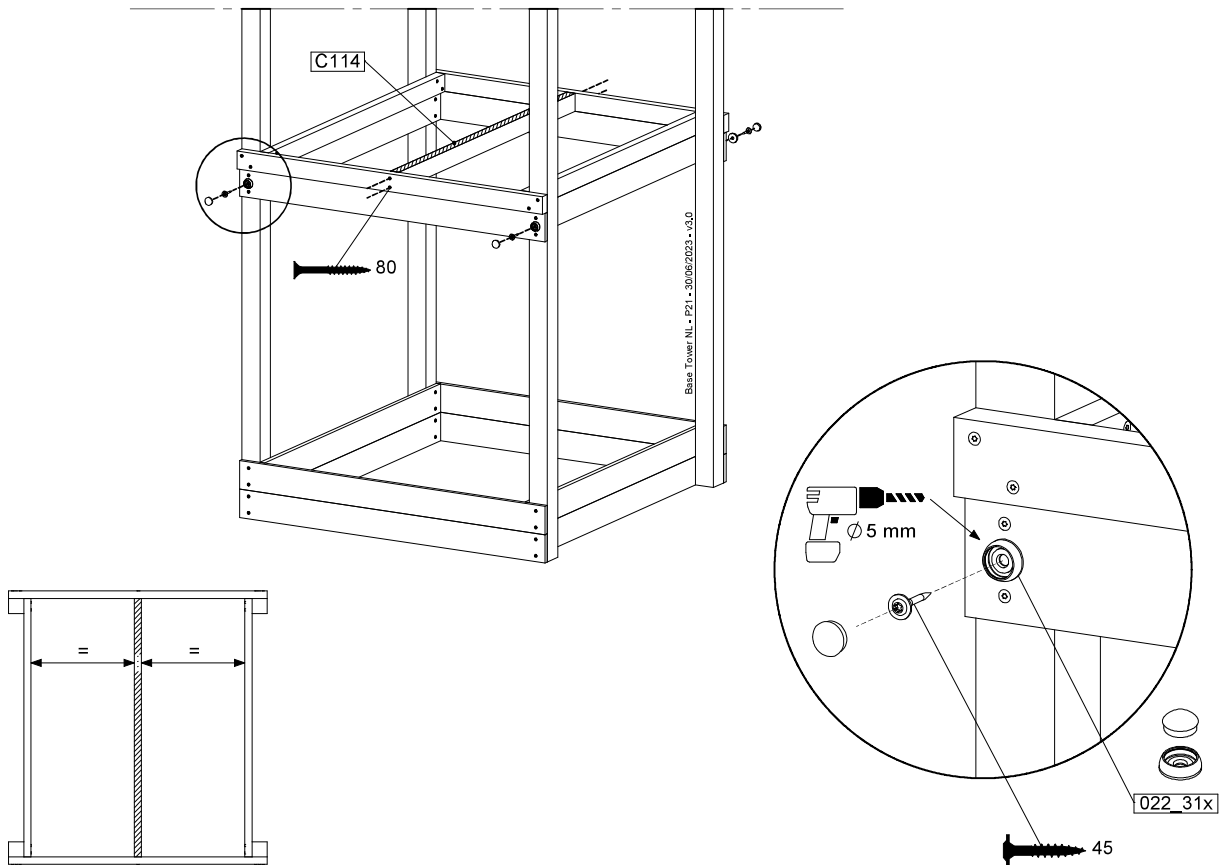
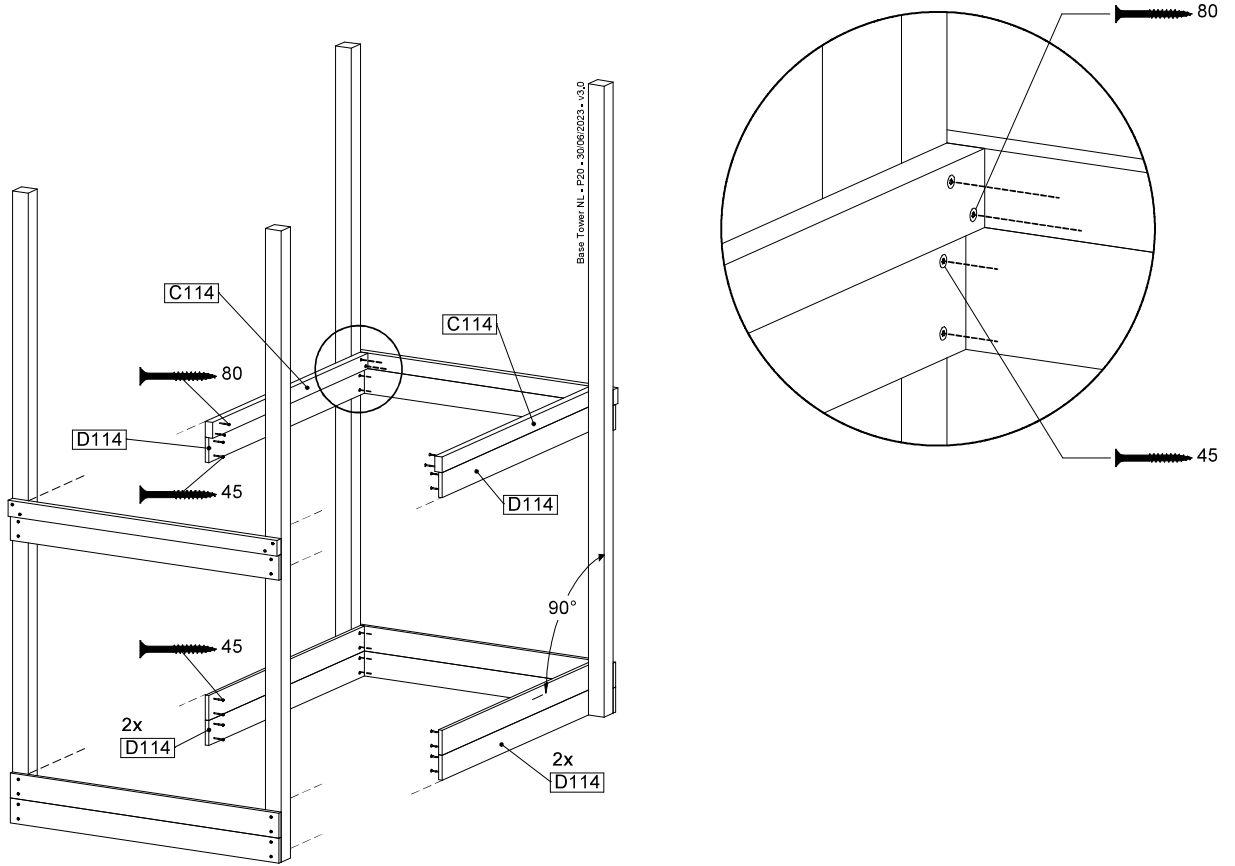
## 2 BT11a: Base Tower 115 125cm 240240

( 194\_300 )

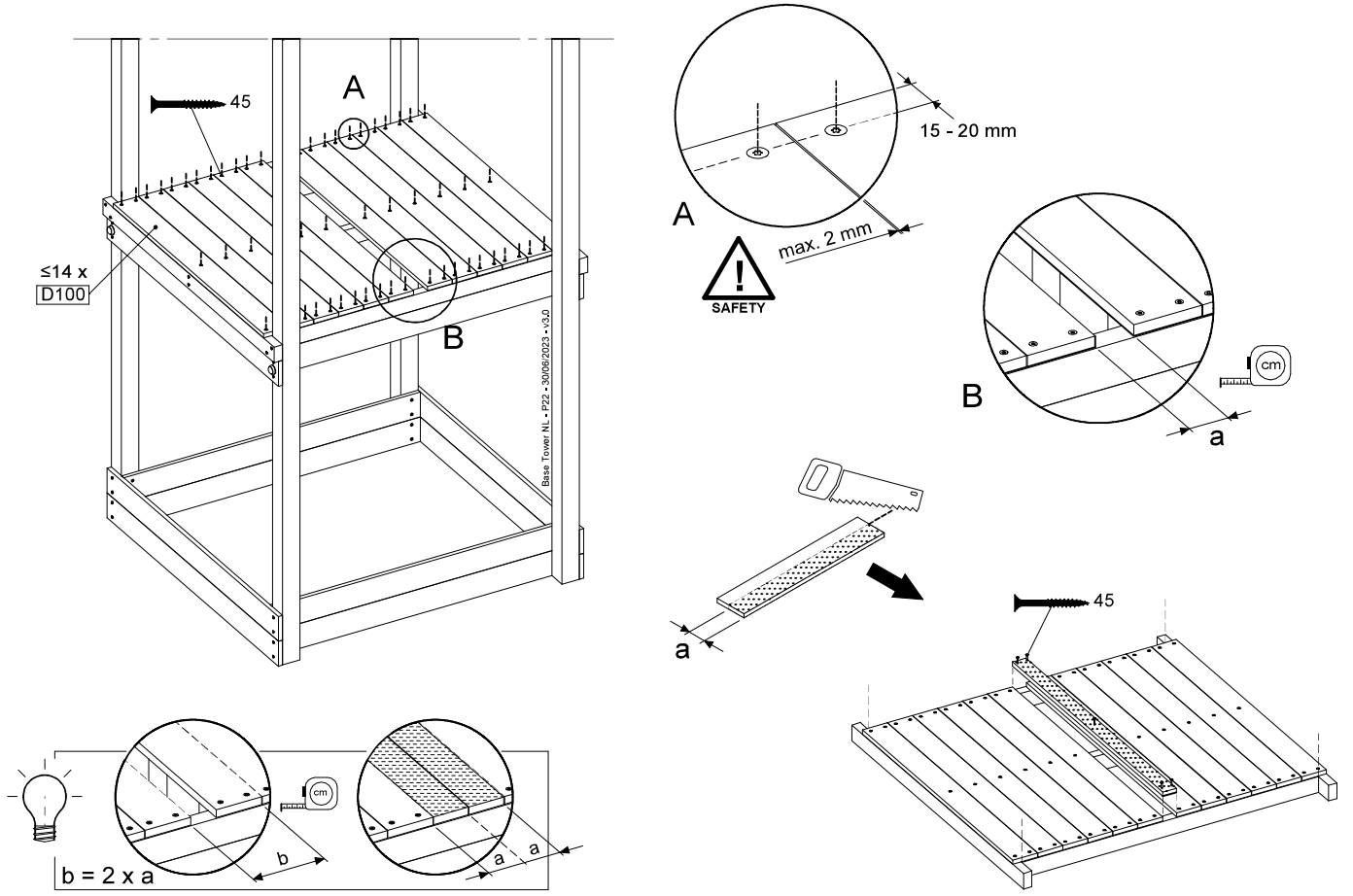
	PartNo	PartName	QTY.
Hardware pack	001_406	Stealth Screw 8x45	6
	001_417	Stealth Screw 8x80	4
	002_220	Gap Point Screw T25 - 5x45	118
	002_223	Gap Point Screw T25 - 5x80	20
	022_31x	bpc-base version 3	8
	022_84x	bpc cover	8
Other	007_001	Ground-anchor	2
Timber	A240	Post 70x70 L2400	4
	C114	Beam 1140 mm	5
	D100	Board 1000 mm	14
	D114	Board 1140 mm	12

Base Tower NL - P15 - BT11 - 30062023 - v2.0





## 2.2

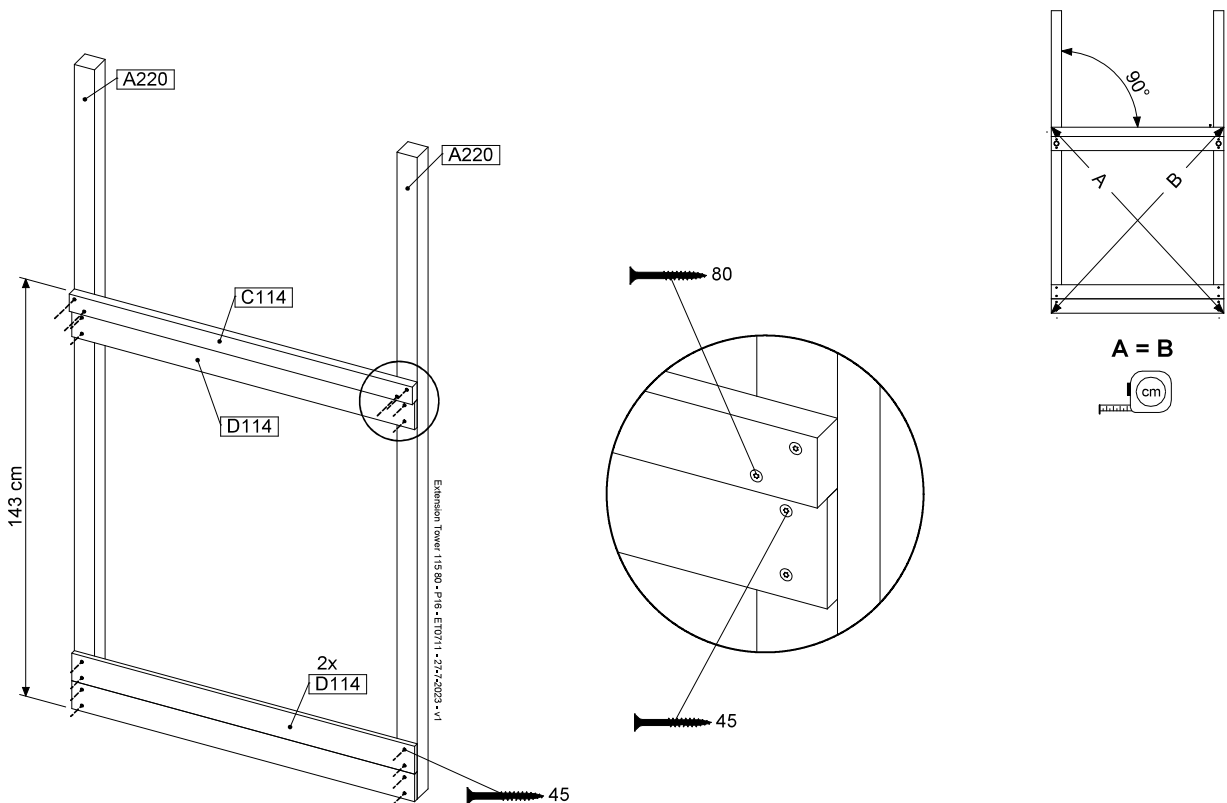
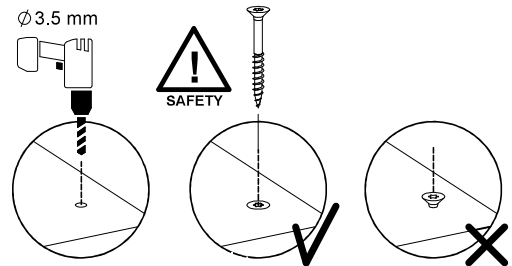
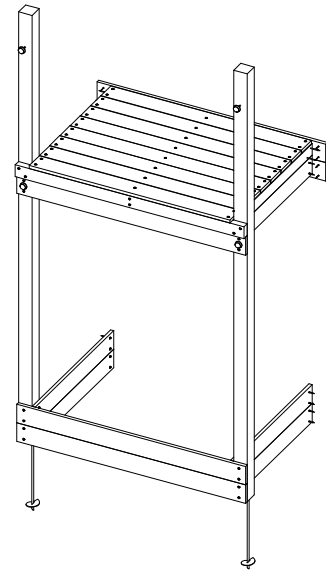


### 3 ET11a: Extension Tower 11580 220/145

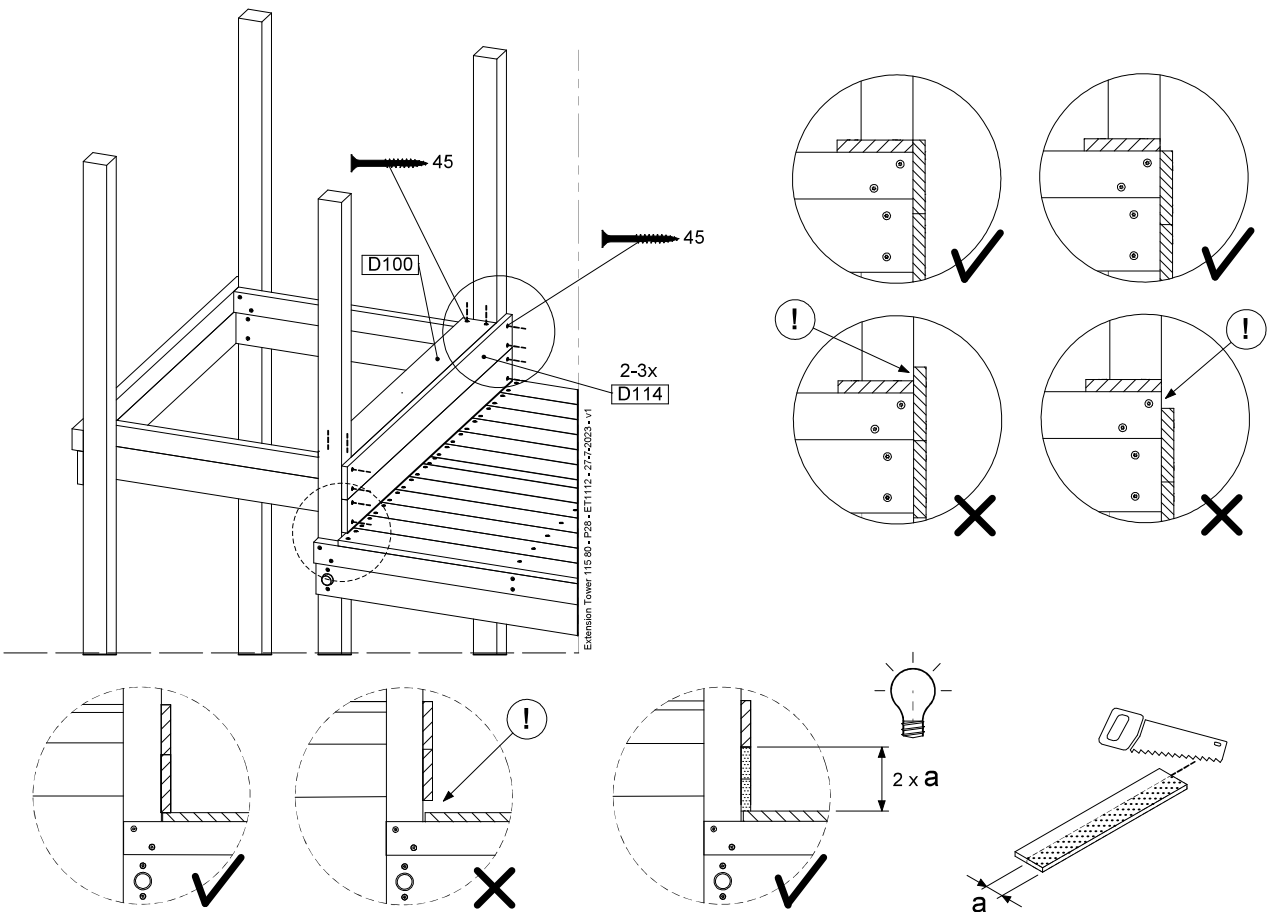
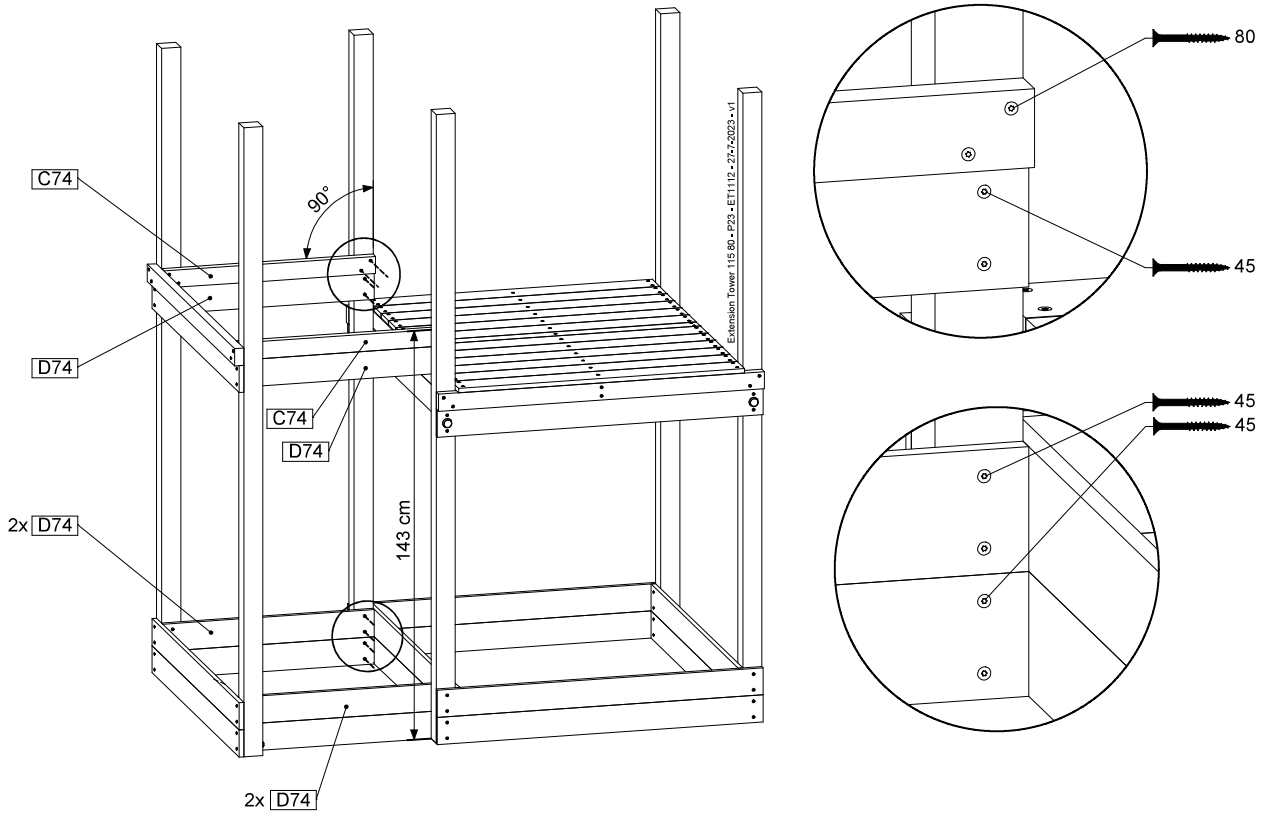
( 194\_300 )

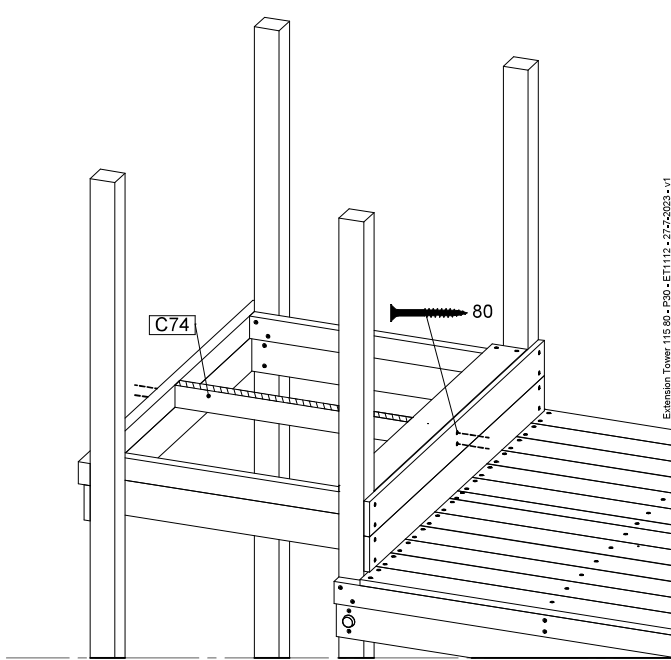
	PartNo	PartName	QTY.
Hardware pack	001_406	Stealth Screw 8x45	4
	001_417	Stealth Screw 8x80	2
	002_220	Gap Point Screw T25 - 5x45	93
	002_223	Gap Point Screw T25 - 5x80	16
Other	007_001	Ground-anchor	2
	022_31x	bpc-base version 3	4
	022_84x	bpc cover	4
Timber	A220	Post 70x70 L2200	2
	C74	Beam 740 mm	3
	C114	Beam 1140 mm	1
	D74	Board 740 mm	6
	D100	Board 1000 mm	9
	D114	Board 1140 mm	6

Extension Tower 115 80 - P08 - ET11 - 27-7-2023 - v1

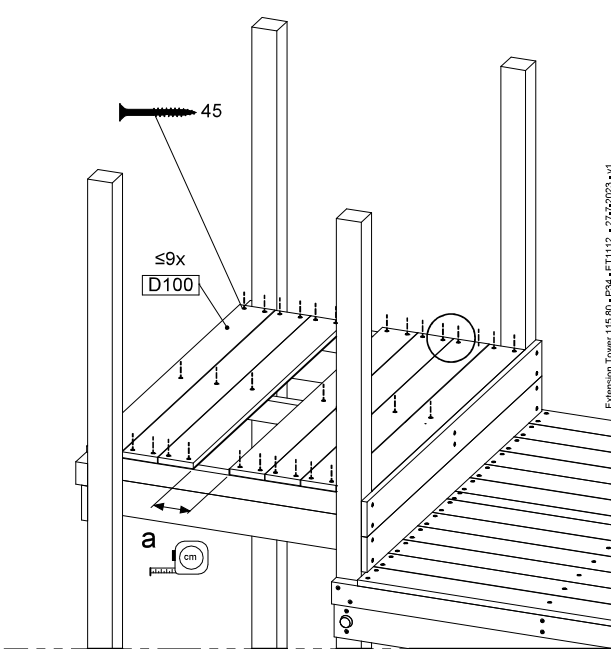
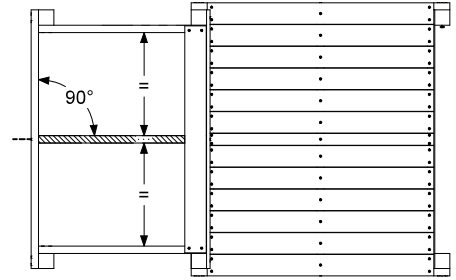


### 3.1

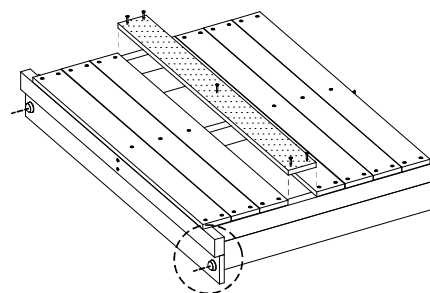
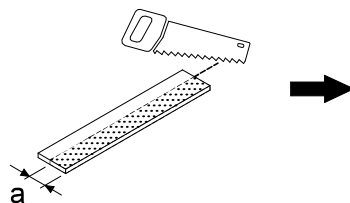
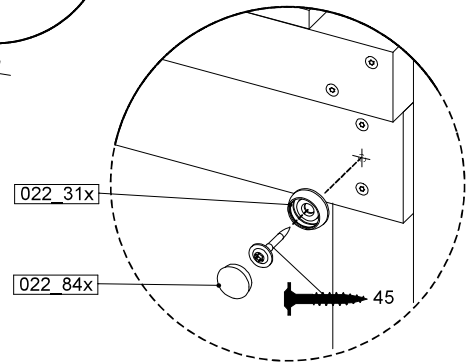
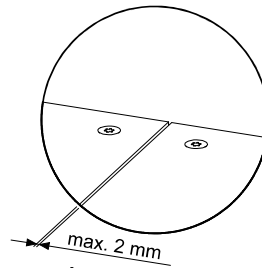




Extension Tower 115 80 - P30 - ET1112 - 27252023 - v1



Extension Tower 115 80 - P34 - ET1112 - 27252023 - v1

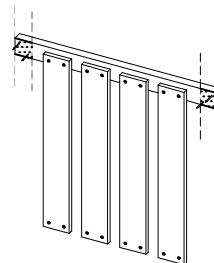


## 4 BL01a: Balustrade 80 U - 7x7 posts

( 194\_101 )

	PartNo	PartName	QTY.
Hardware Pack	002_220	Gap Point Screw T25 - 5x45	16
	100_601	Gap Point Screw T25 - 5x80	4
Timber	C74	Beam 740 mm	1
	D65	Board 650 mm	4

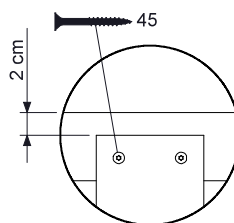
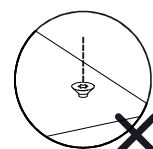
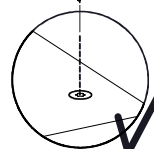
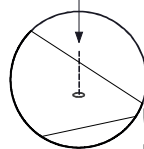
Balustrade 80 - P02 U - 15-7-2022 - v4



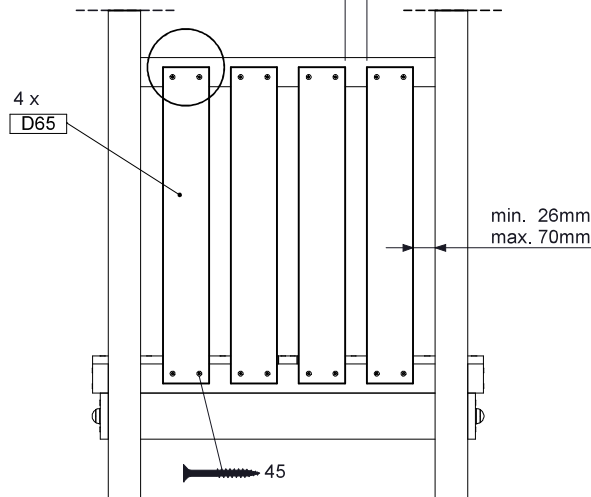
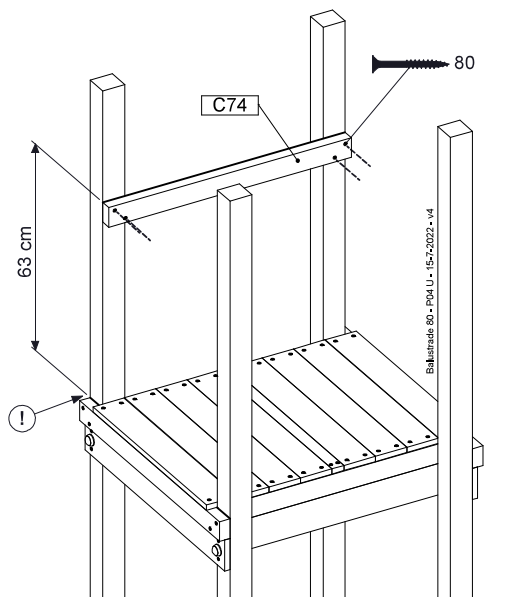
Ø3,5mm



SAFETY



min. 26mm  
max. 70mm

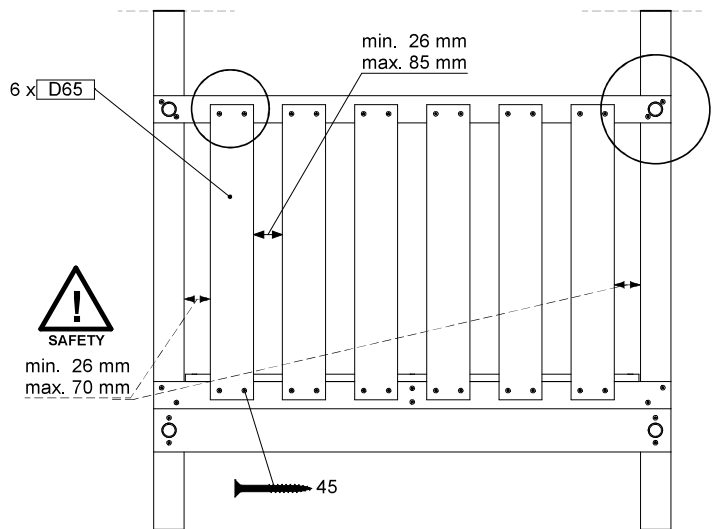
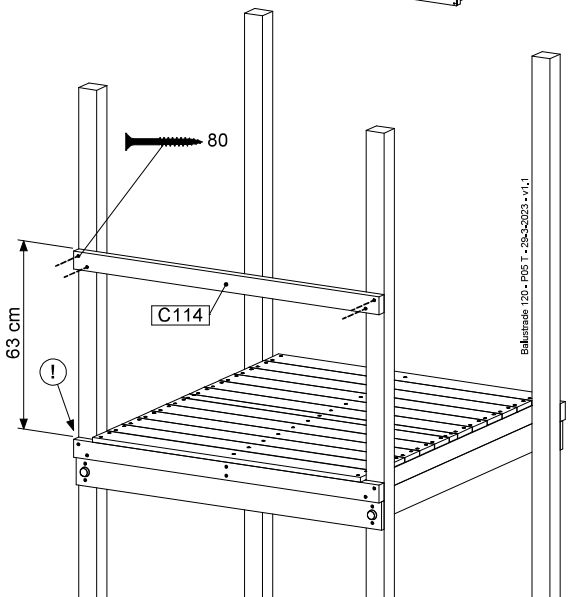
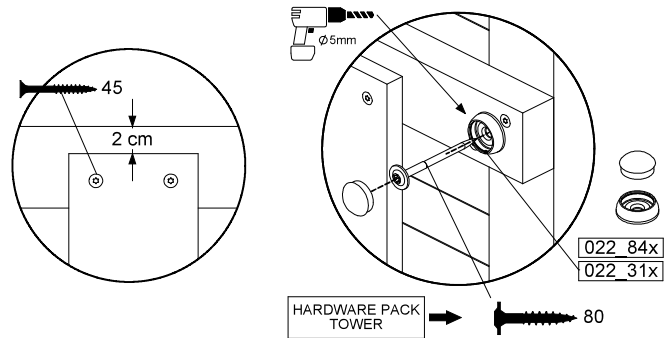
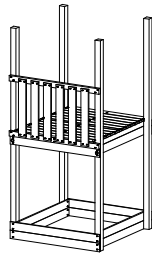
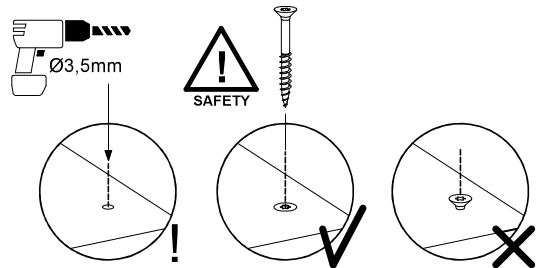
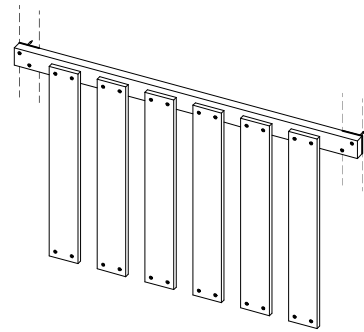


# 5 BL04a: Balustrade 115 T

( 194\_501 )

	PartNo	PartName	QTY.
Hardware Pack	002_220	Gap Point Screw T25 - 5x45	24
	002_223	Gap Point Screw T25 - 5x80	4
Timber	C114	Beam 1140 mm	1
	D65	Board 650 mm	6

Balustrade 120 - F03 T - 20-3-2023 - v1.1

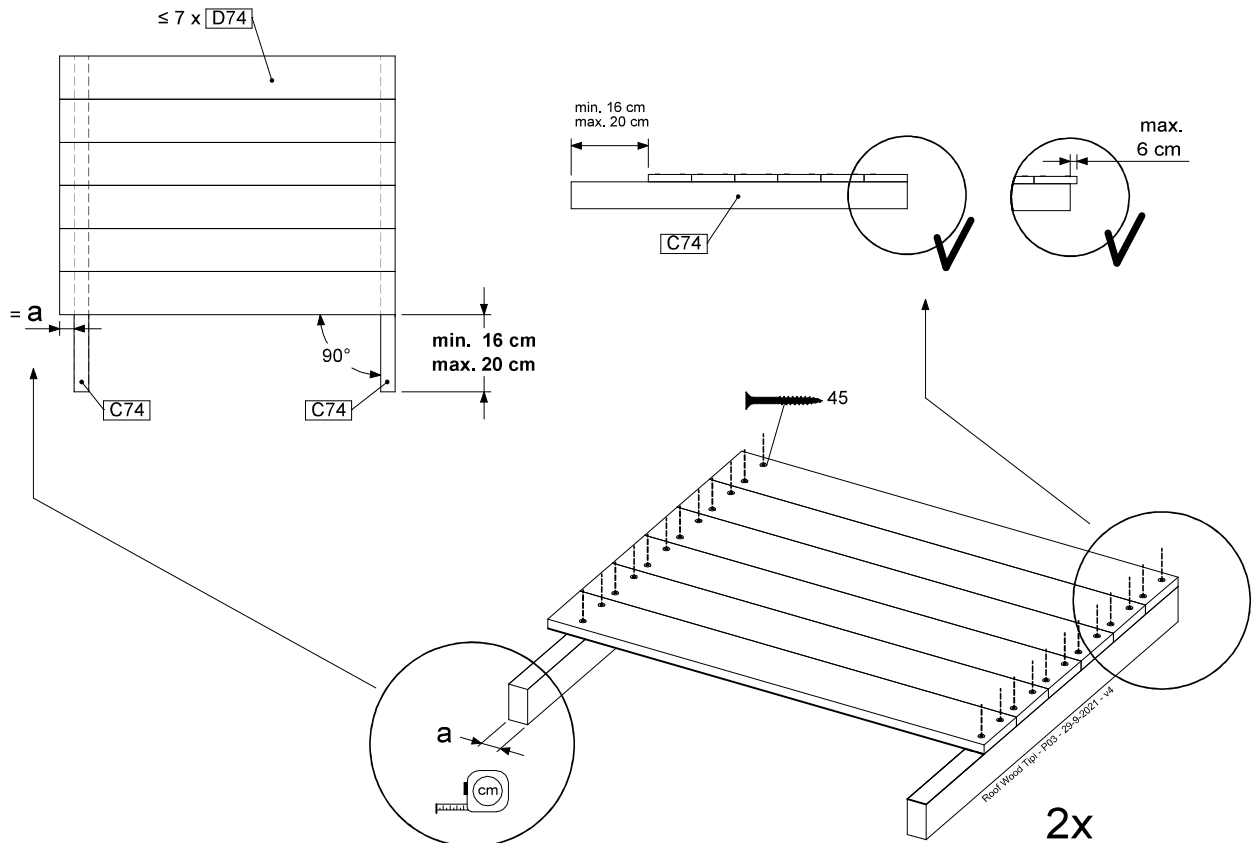
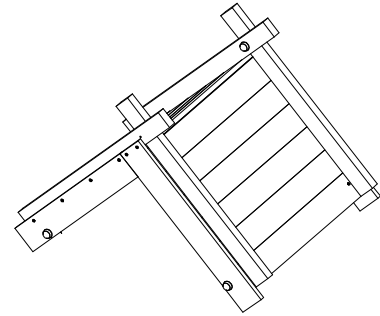


## 6 RF04a: Roof Timber Tipi 80

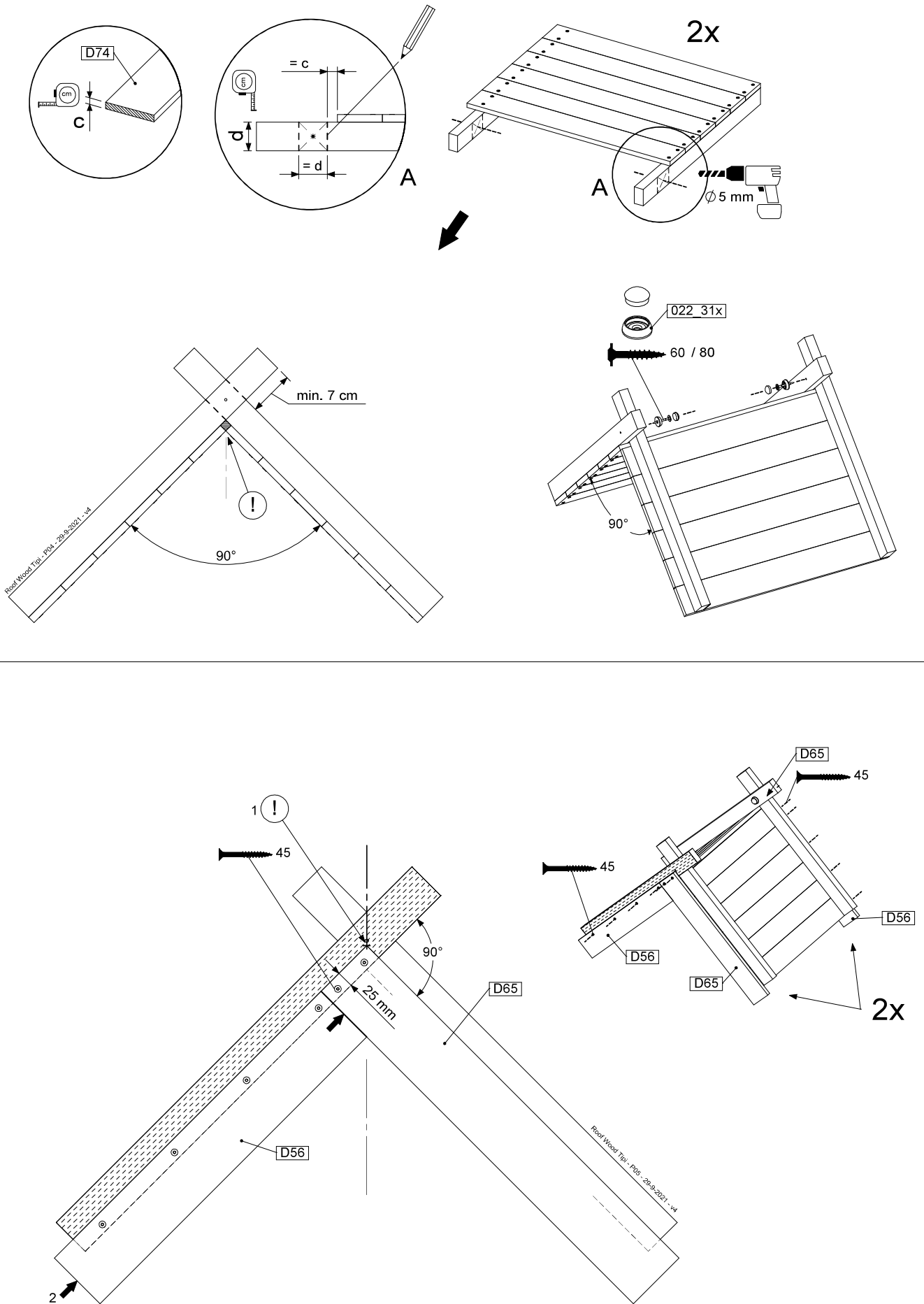
(194\_110)

	PartNo	PartName	QTY.
Hardware Pack 100_608	001_411	Stealth Screw 8x60	6
	001_417	Stealth Screw 8x80	2
	002_220	Gap Point Screw T25 - 5x45	68
	002_223	Gap Point Screw T25 - 5x80	4
Other	022_31x	bpc-base version 3	6
	022_84x	bpc cover	6
Timber	C74	Beam 740 mm	4
	D56	Board L=(650 - board width) mm	2
	D65	Board 650 mm	2
	D74	Board 740 mm	14

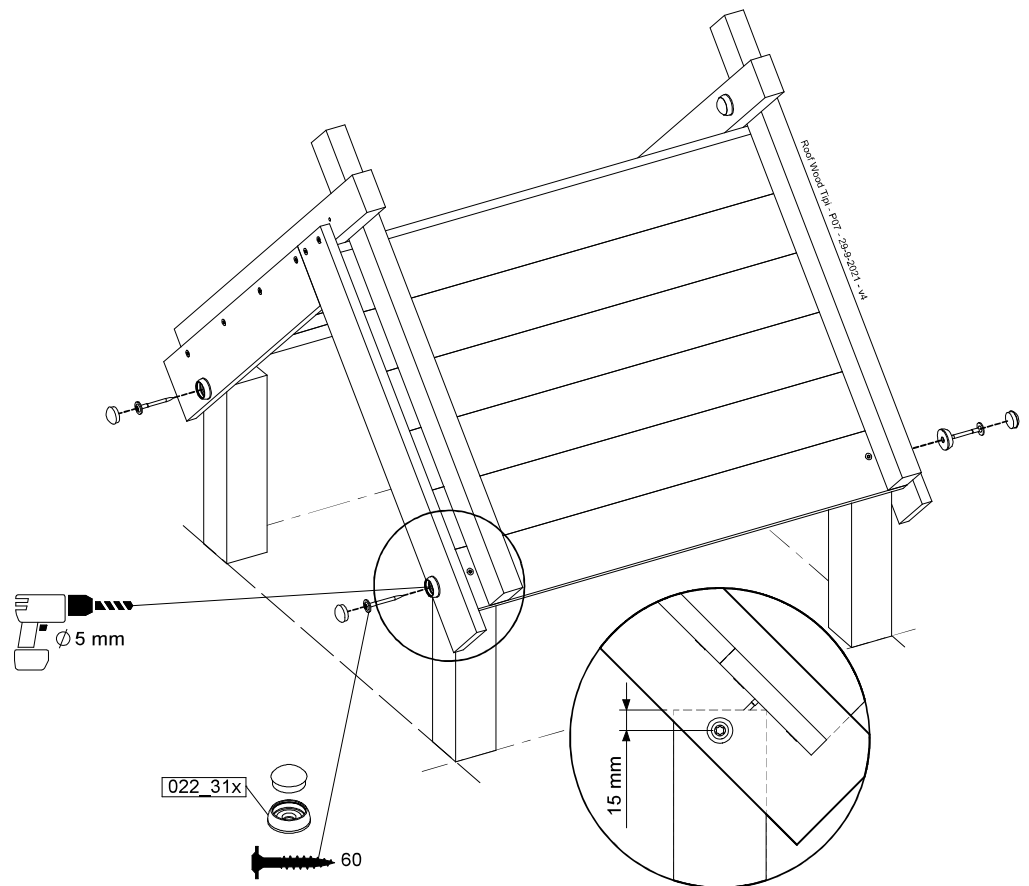
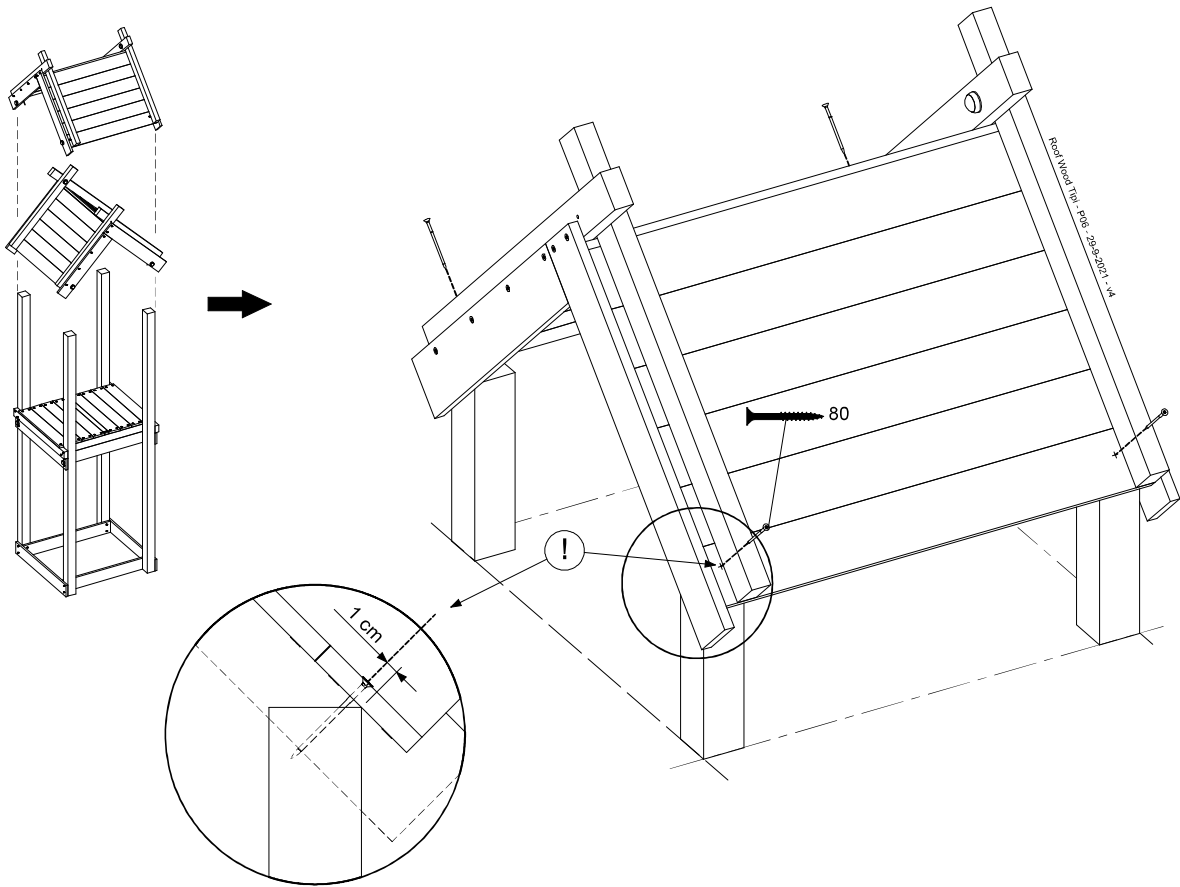
Roof Wood Tipi - P102 - 29/9-2021 - v.4



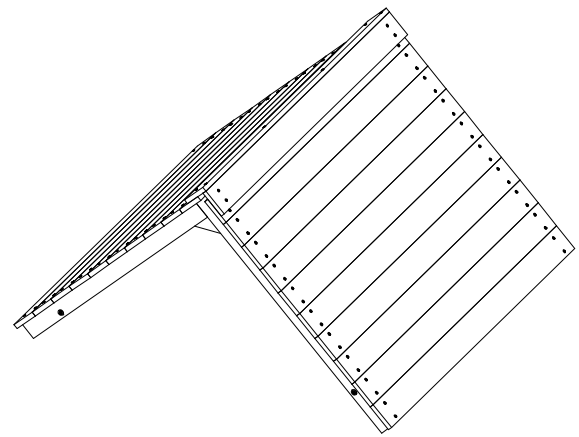
6.1



## 6.2



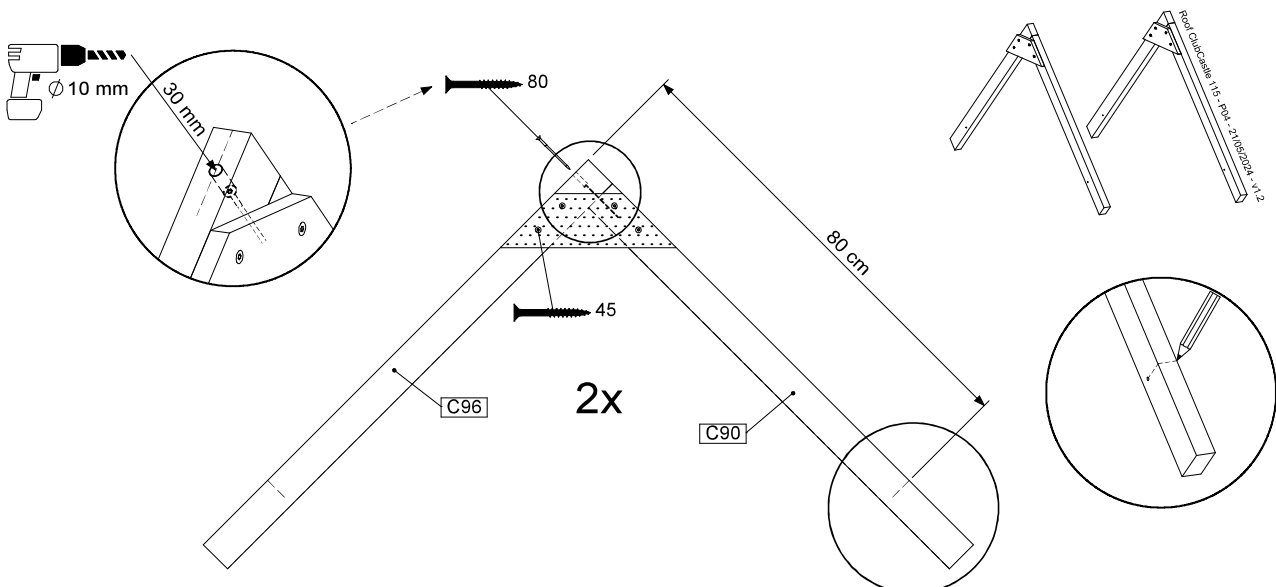
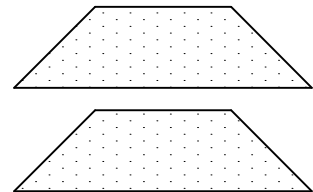
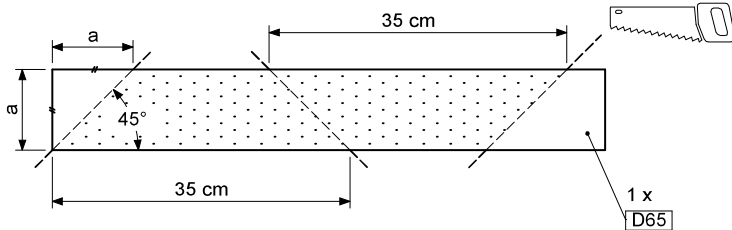
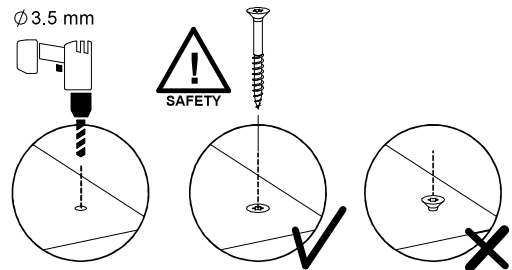
# 7 RF08a: Roof Timber Gable 115



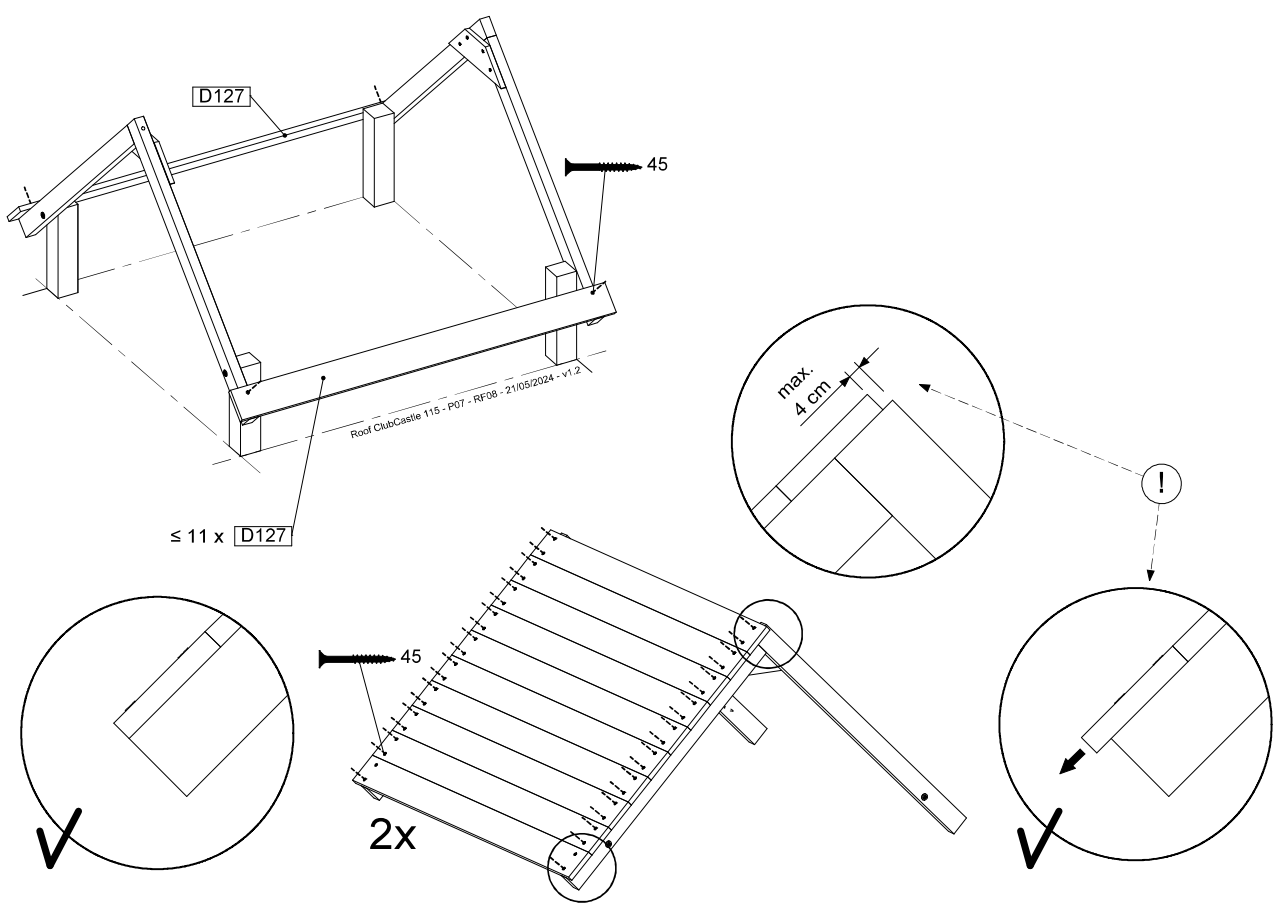
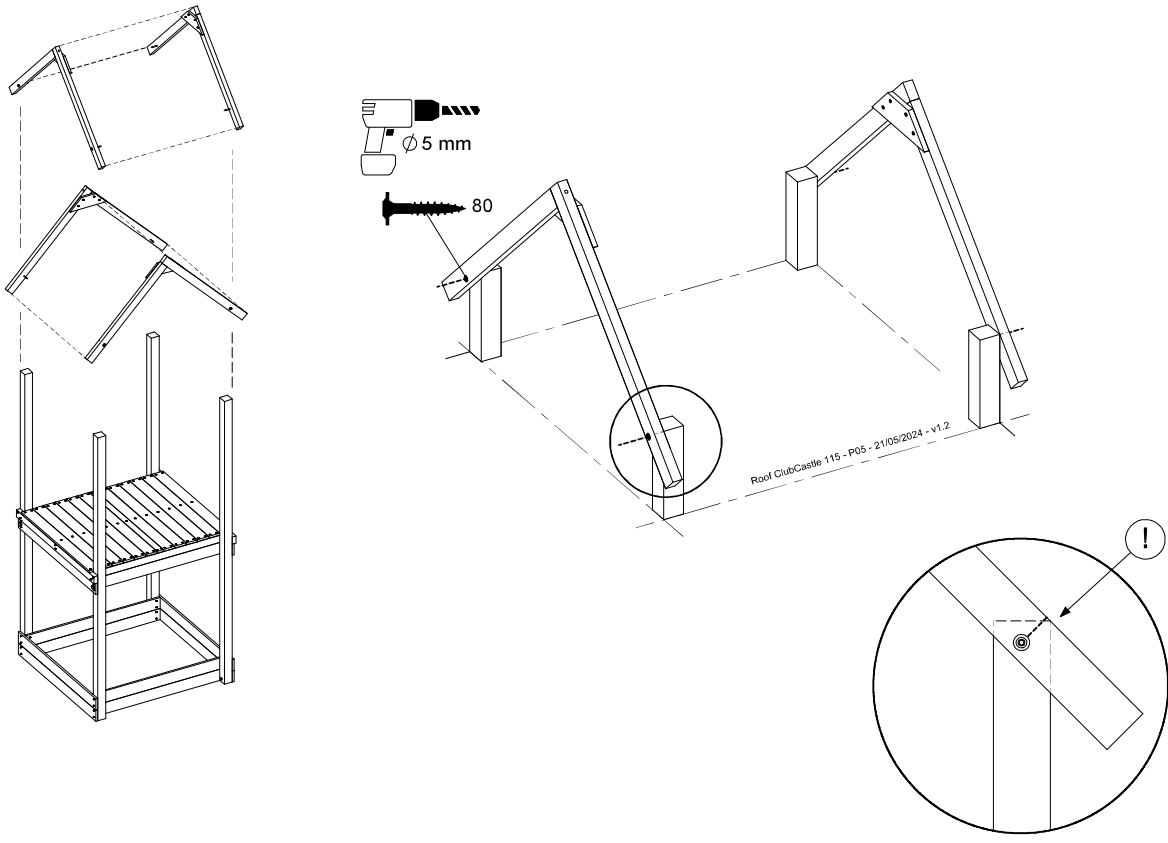
Assembly Pack: 194\_308 / 194\_804

	PartNo	PartName	QTY.
Hardware Pack	001_417	Stealth Screw 8x80	4
	002_220	Gap Point Screw T25 - 5x45	100
	002_223	Gap Point Screw T25 - 5x80	8
Timber	C96	Beam 960 mm	2
	D65	Board 650 mm	1
	D127	Board 1270 mm	24
	C90	Beam 900 mm	2

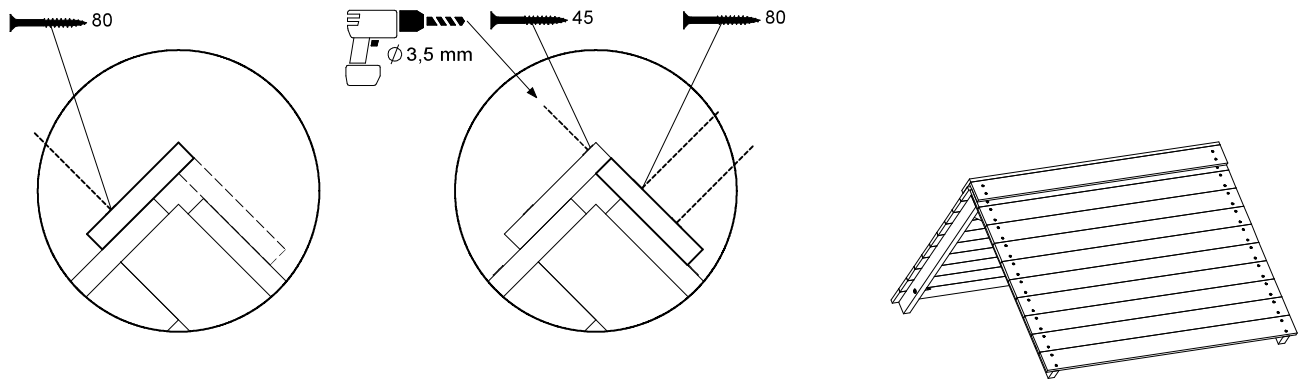
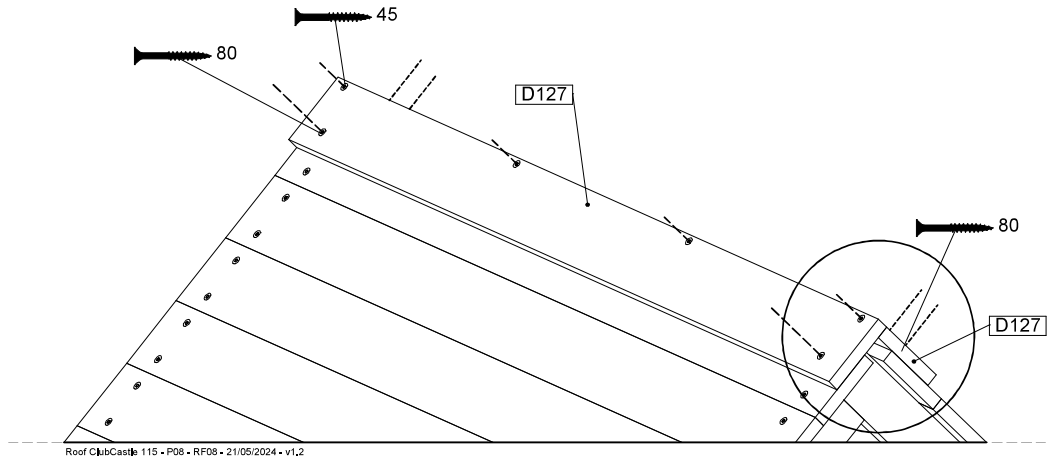
Roof ClubGable 115 - P03 - RF08 - 21/05/2024 - v1.2



# 7.1



## 7.2

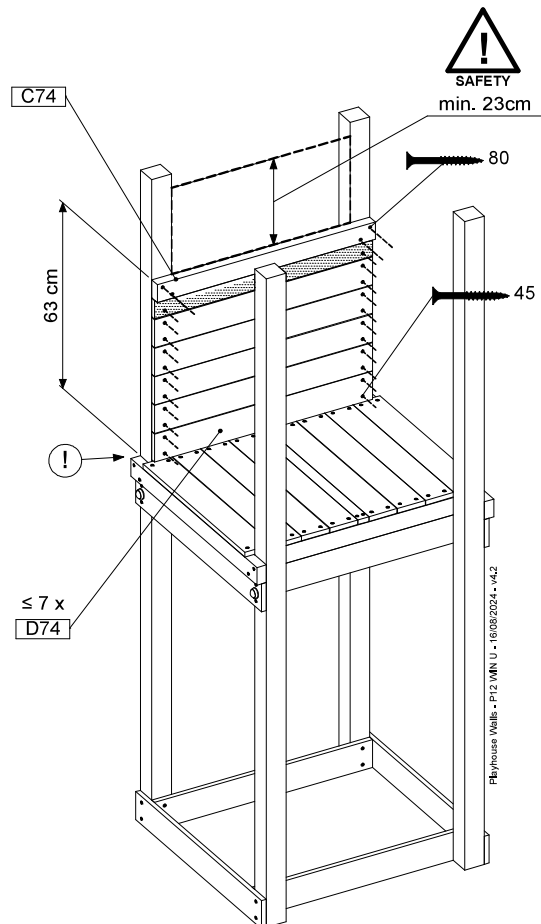
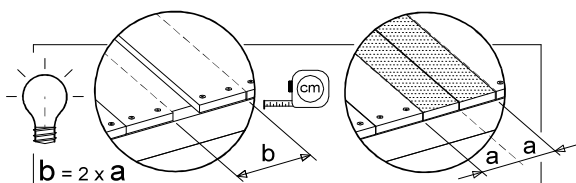
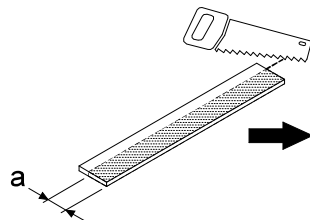
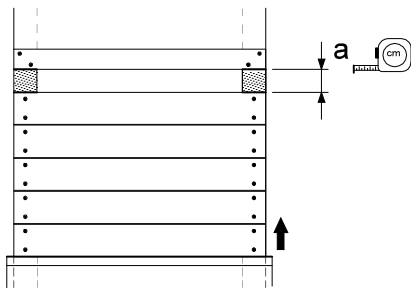
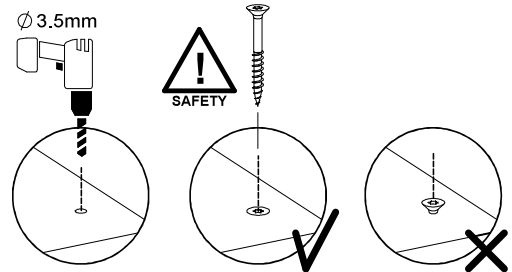
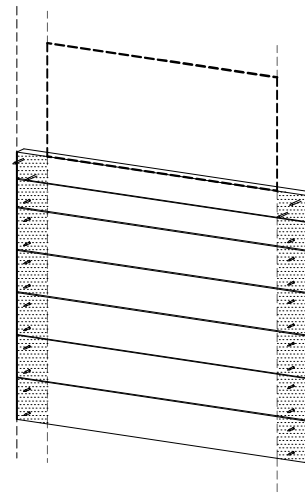


# 8 PH05a: Playhouse Window Panel 80 U

Assembly Pack: 194\_501

	PartNo	PartName	QTY.
Hardware + Parts	002_220	Gap Point Screw T25 - 5x45	28
	002_223	Gap Point Screw T25 - 5x80	4
Timber	C74	Beam 740 mm	1
	D74	Board 740 mm	7

Playhouse Walls - P05 (MN U - 16/09/2024) - v4.2

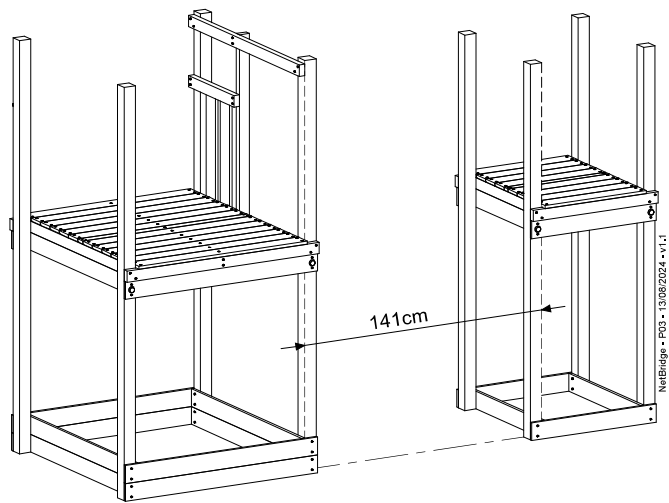
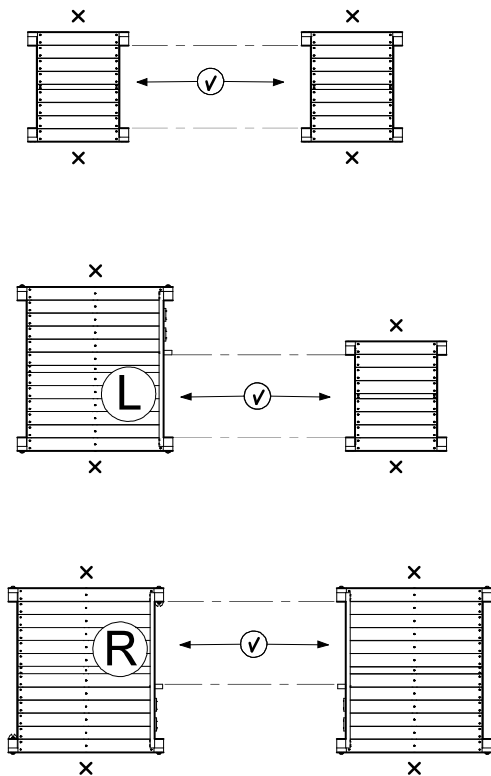
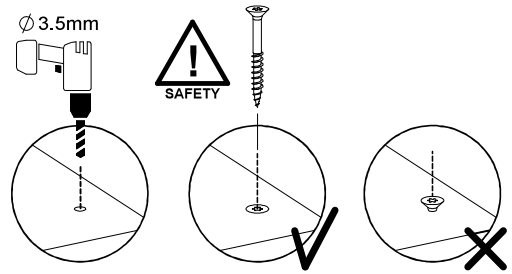
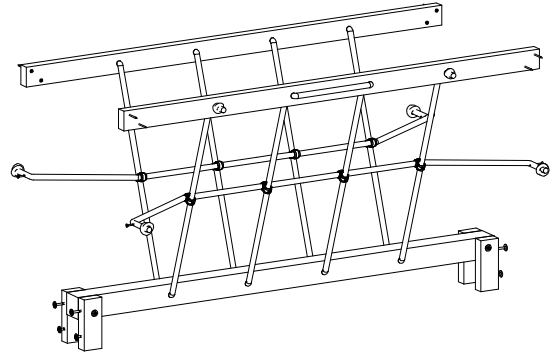


# 9 NB01a: Net Bridge

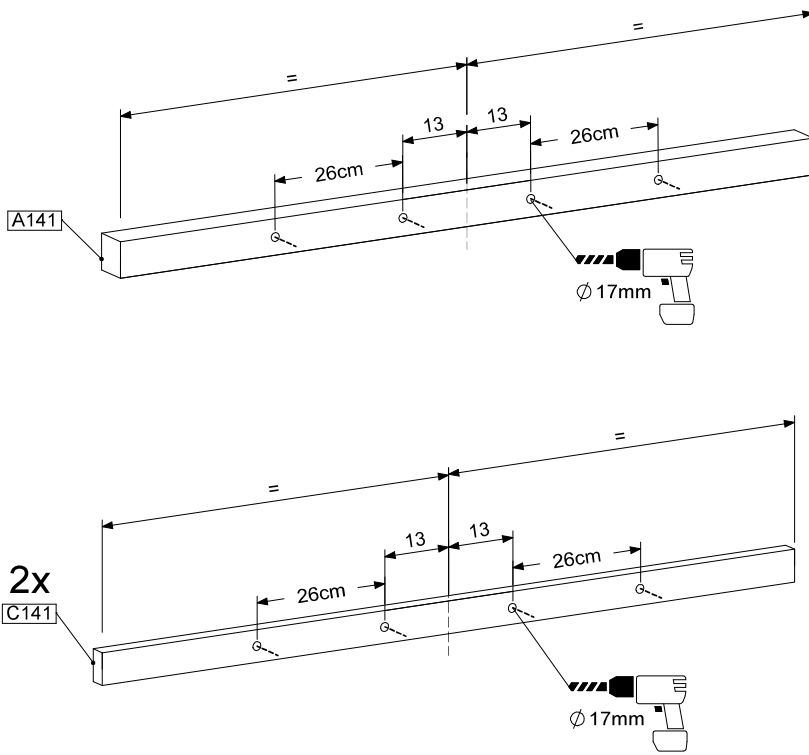
Assembly Pack : 194\_009

	PartNo	PartName	QTY.
Hardware + Parts	001_406	Stealth Screw 8x45	4
	001_417	Stealth Screw 8x80	8
	002_220	Gap Point Screw T25 - 5x45	12
	002_223	Gap Point Screw T25 - 5x80	8
	002_301	Dry Wall Screw PH2 3.9 x 40 mm	8
	020_315	Rope Polyester 16mm Green 2.25m	2
	020_319	Rope Polyester 16mm Green 7.45m	1
	022_455	Rope Cross Connector Egg	8
Timber	A141	Post ca.70x70 L1410	1
	C70	Beam 700 mm	1
	C141	Beam 1410 mm	2

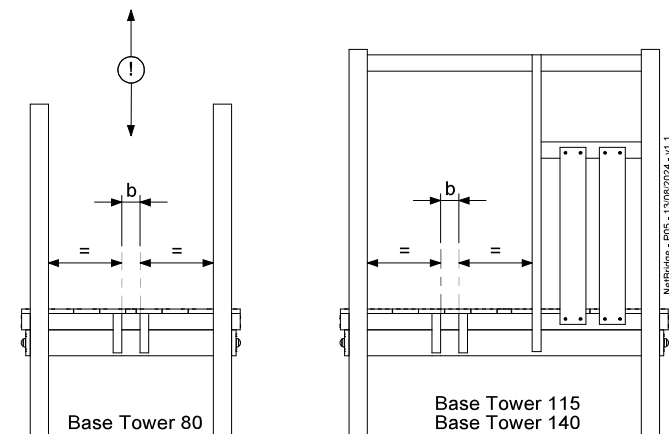
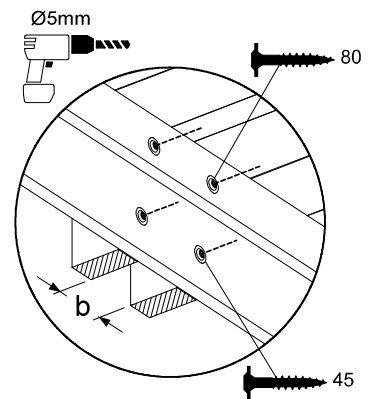
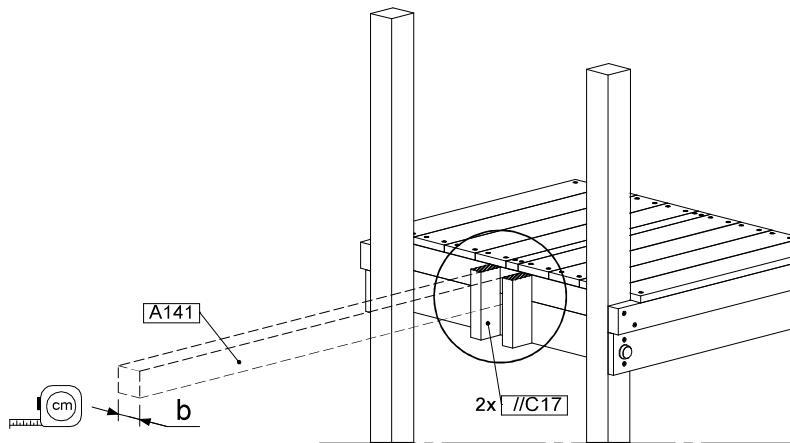
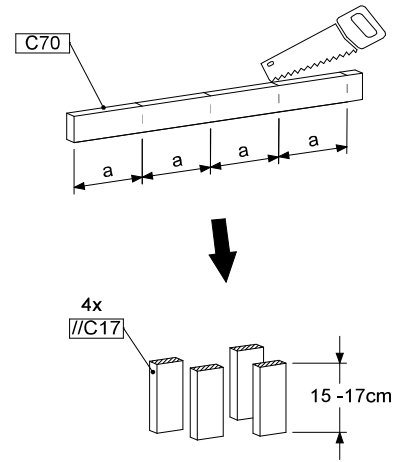
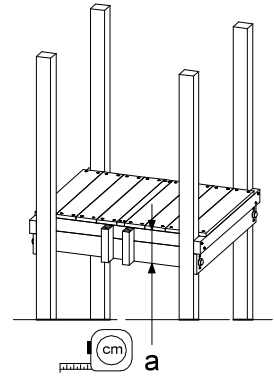
NetBridge - P03 - 13/08/2024 - v1.1

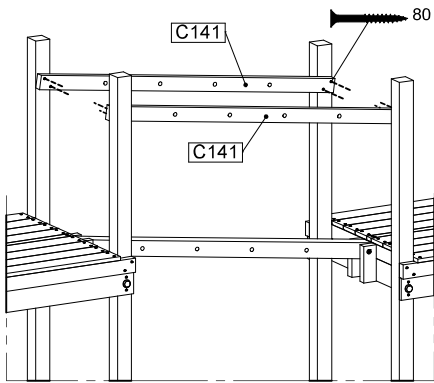
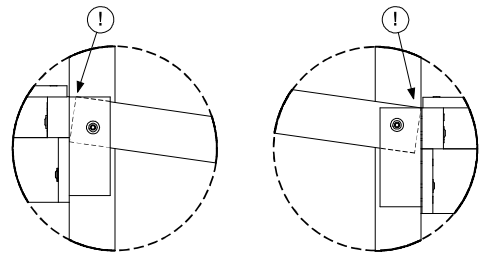
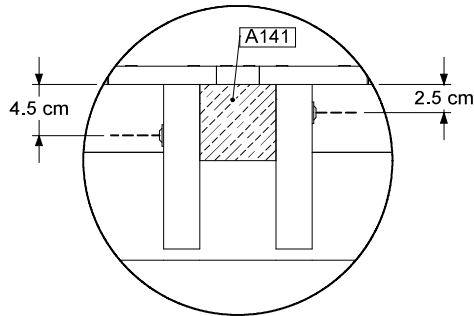
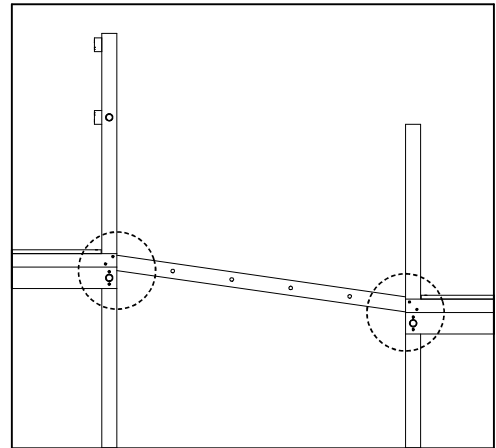
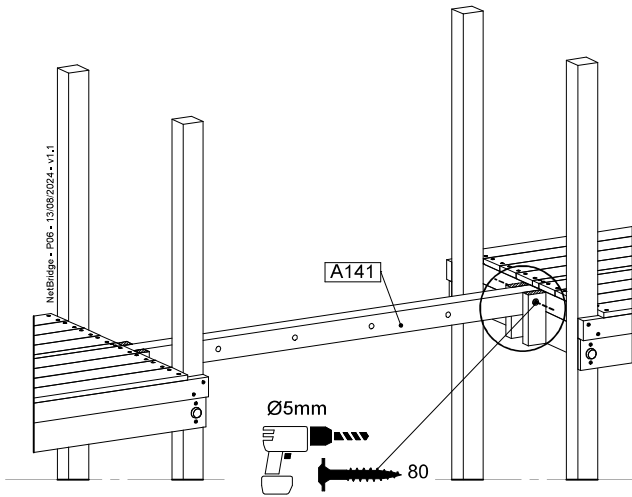


NetBridge - P03 - 13/08/2024 - v1.1

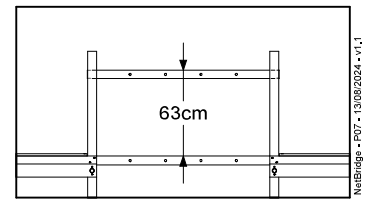
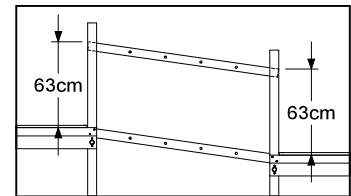


NetBridge - P04 - 13/09/2024 - v1.1

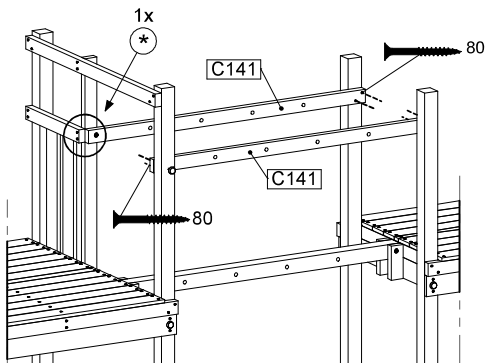




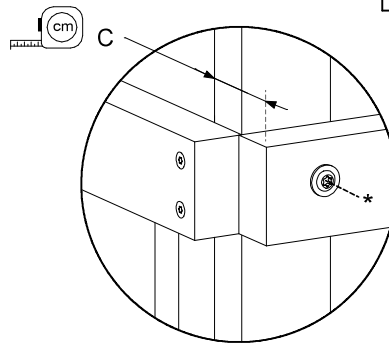
Base Tower 80



NetBridge - P07 - 13/08/2024 - v1.1



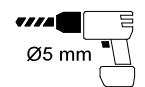
Base Tower 115  
Base Tower 140

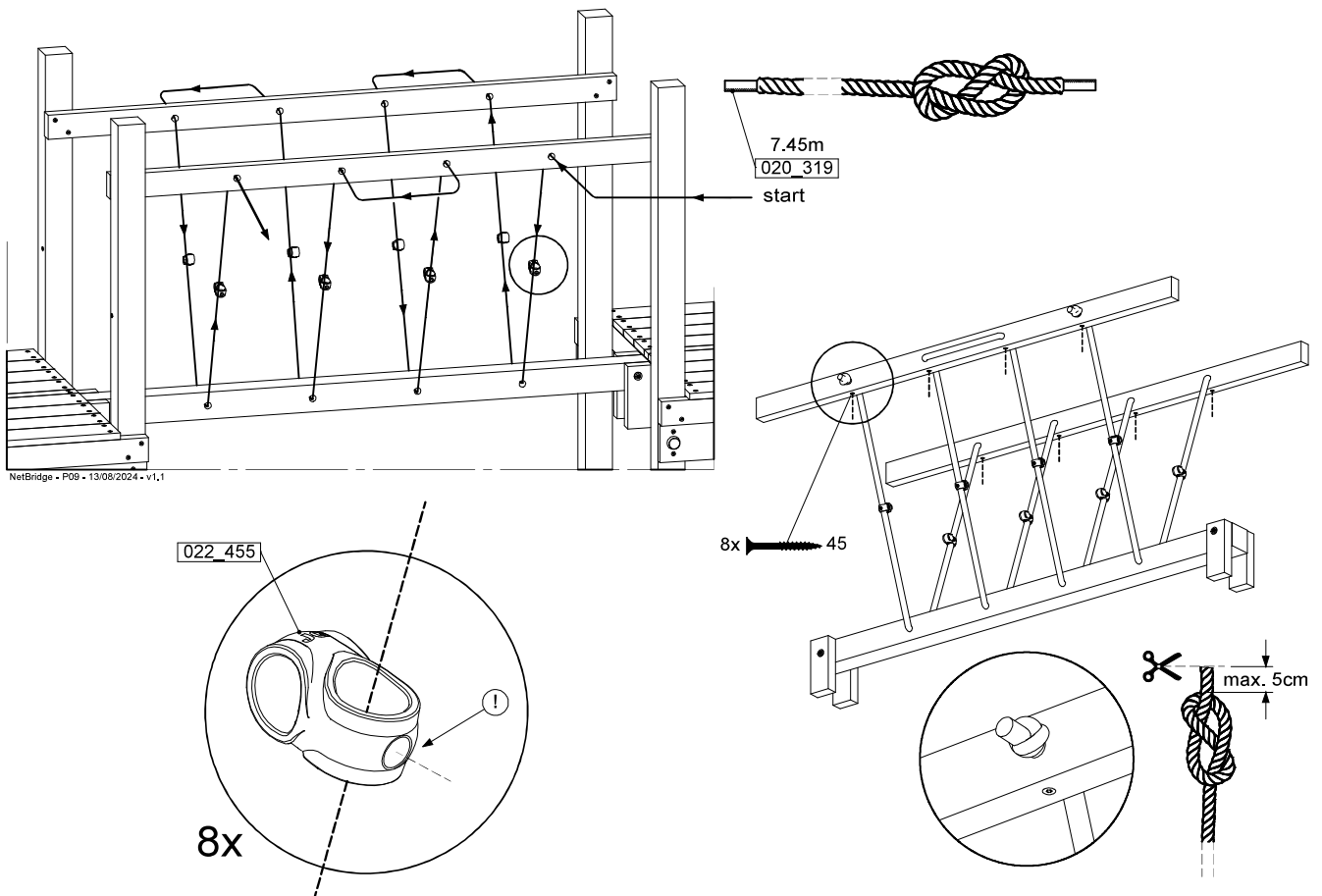
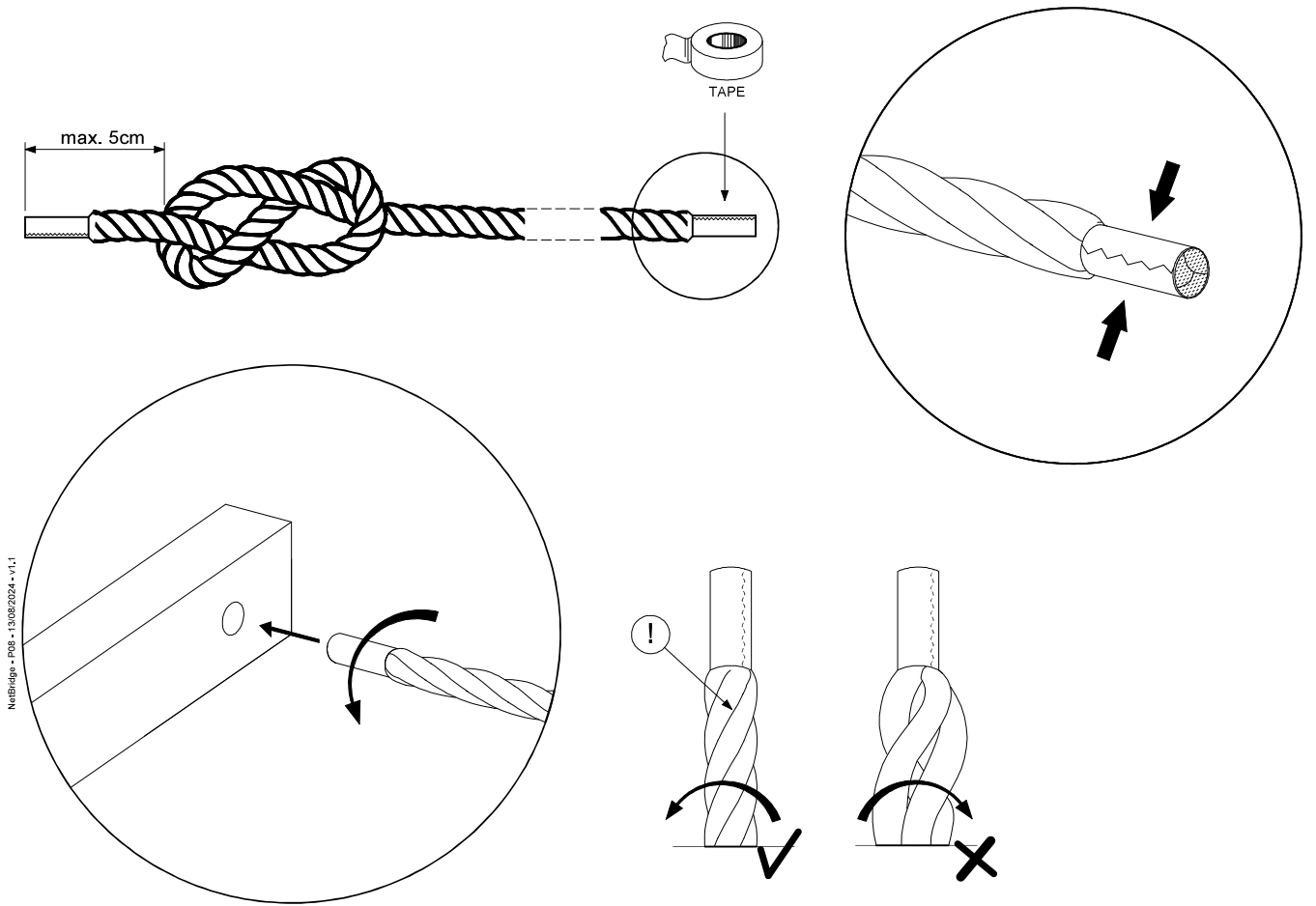


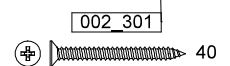
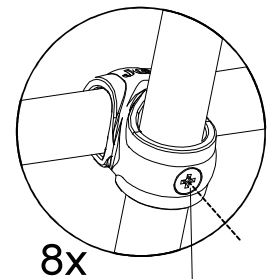
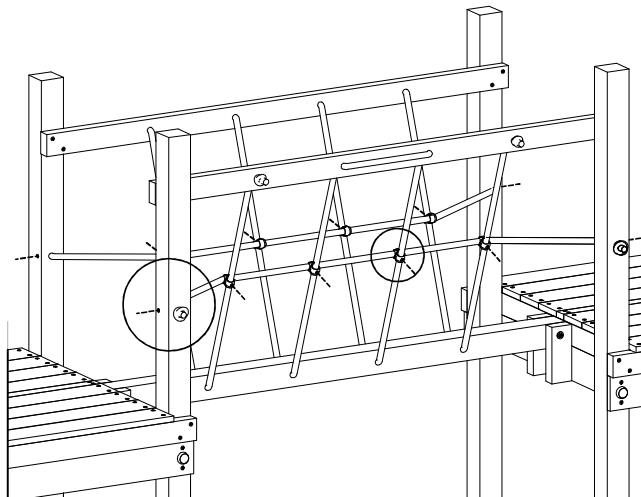
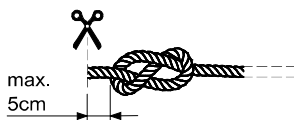
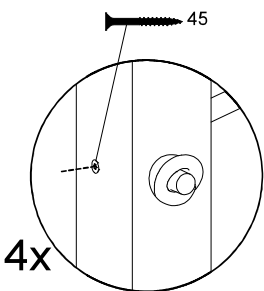
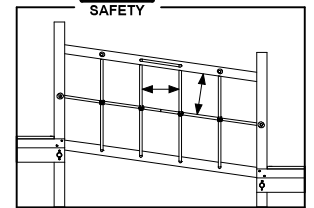
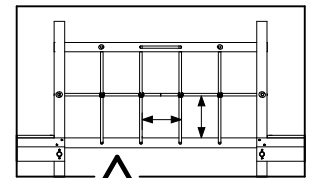
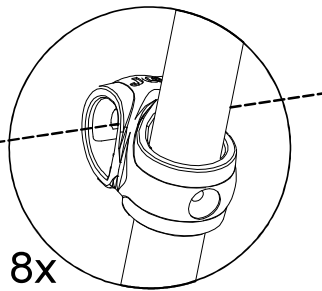
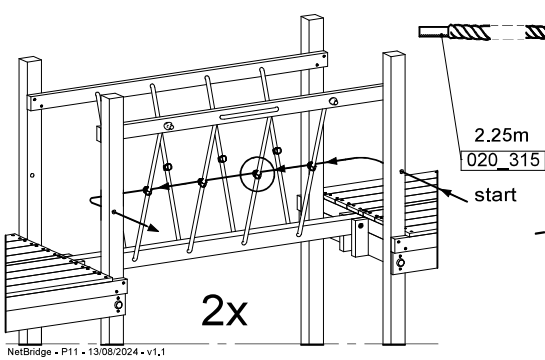
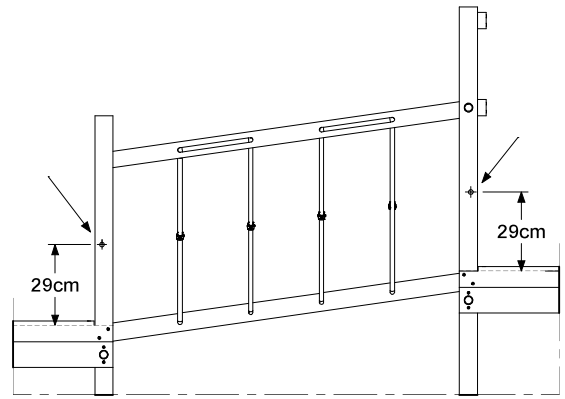
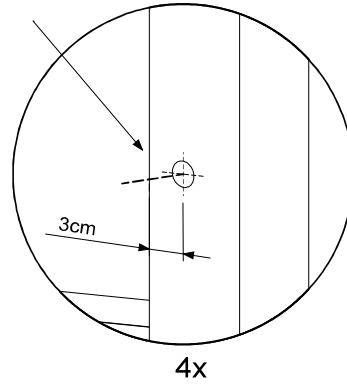
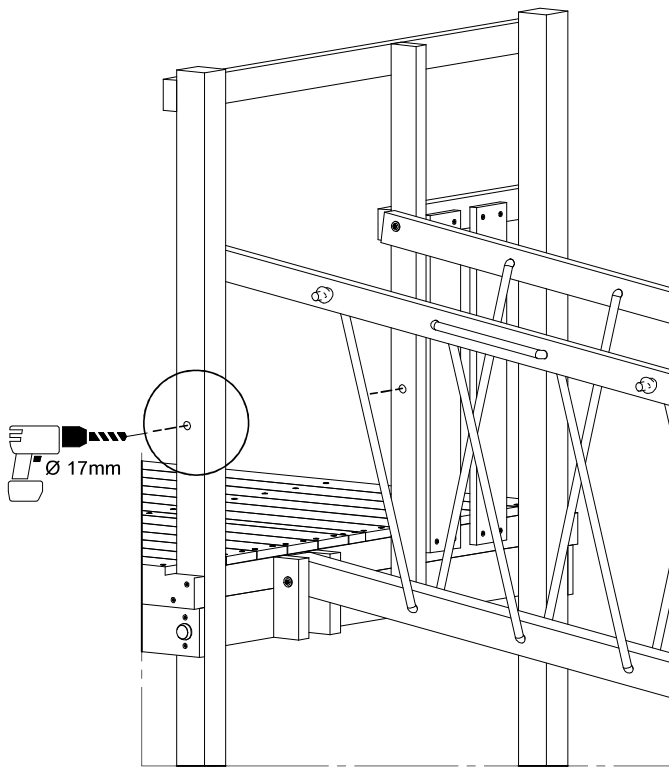
BF - Bridge Frame

C ≥ 8cm → 2x 80

C < 8cm → 1x 60





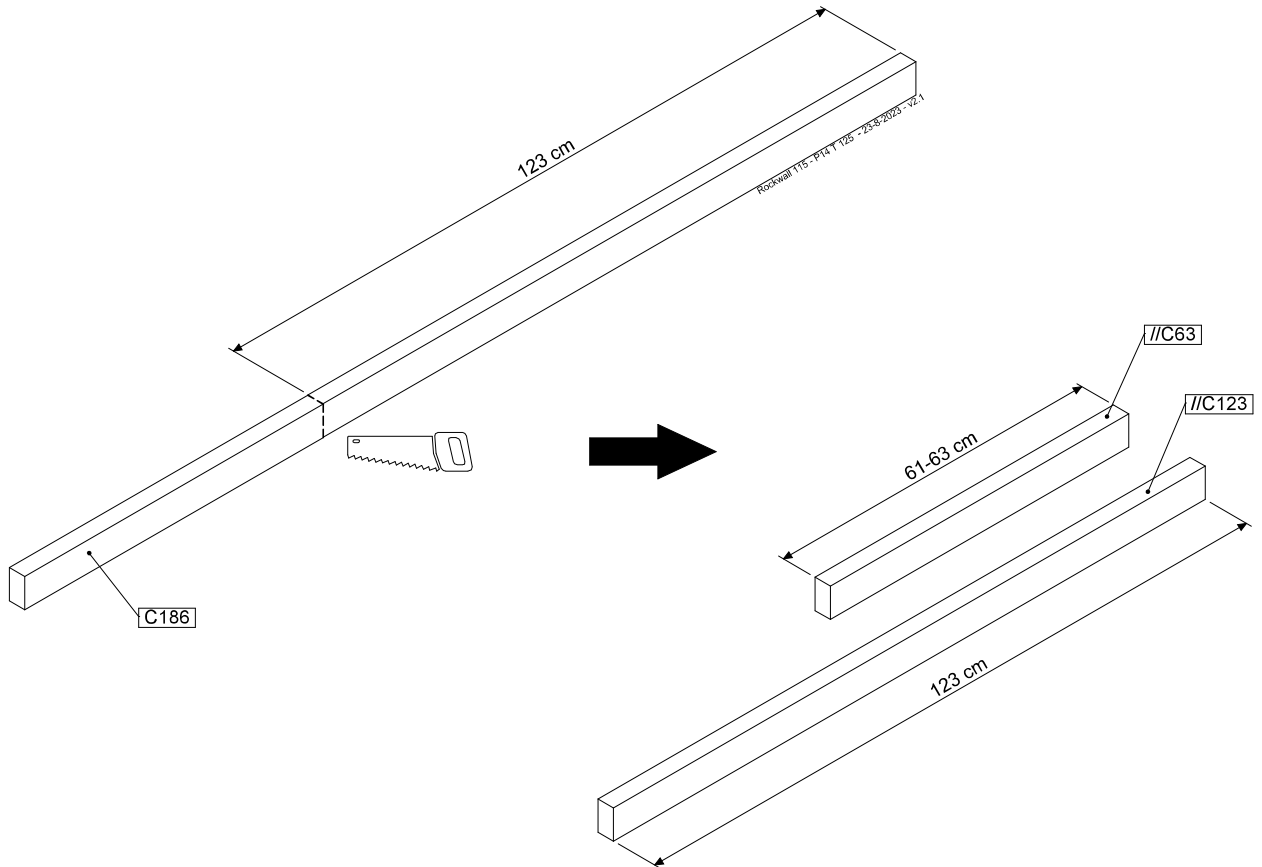
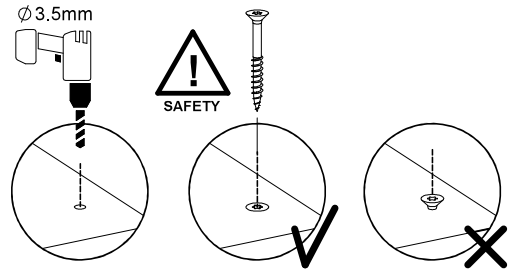
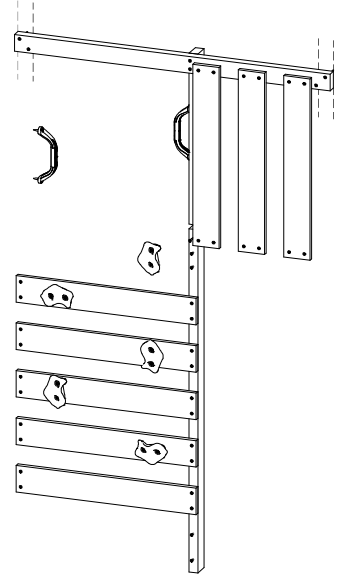


# 10 RW07a: Rock wall 115 145 T Left

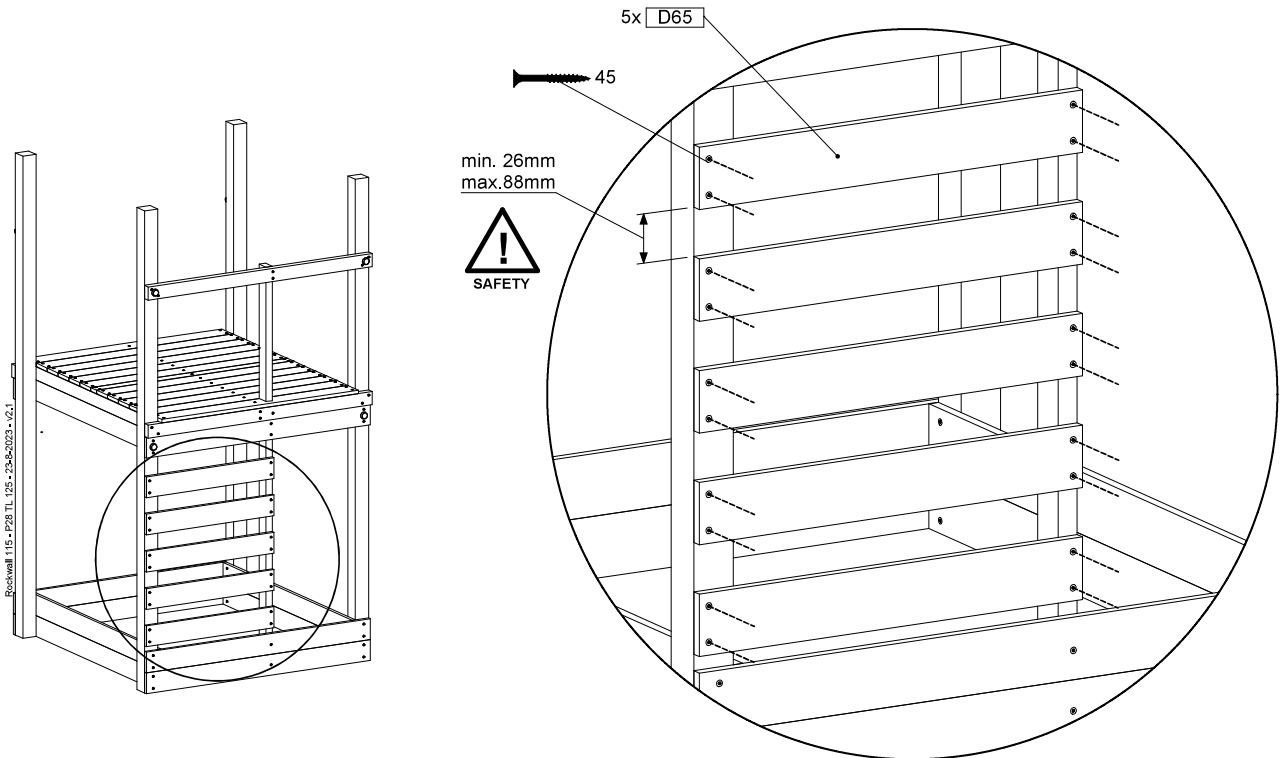
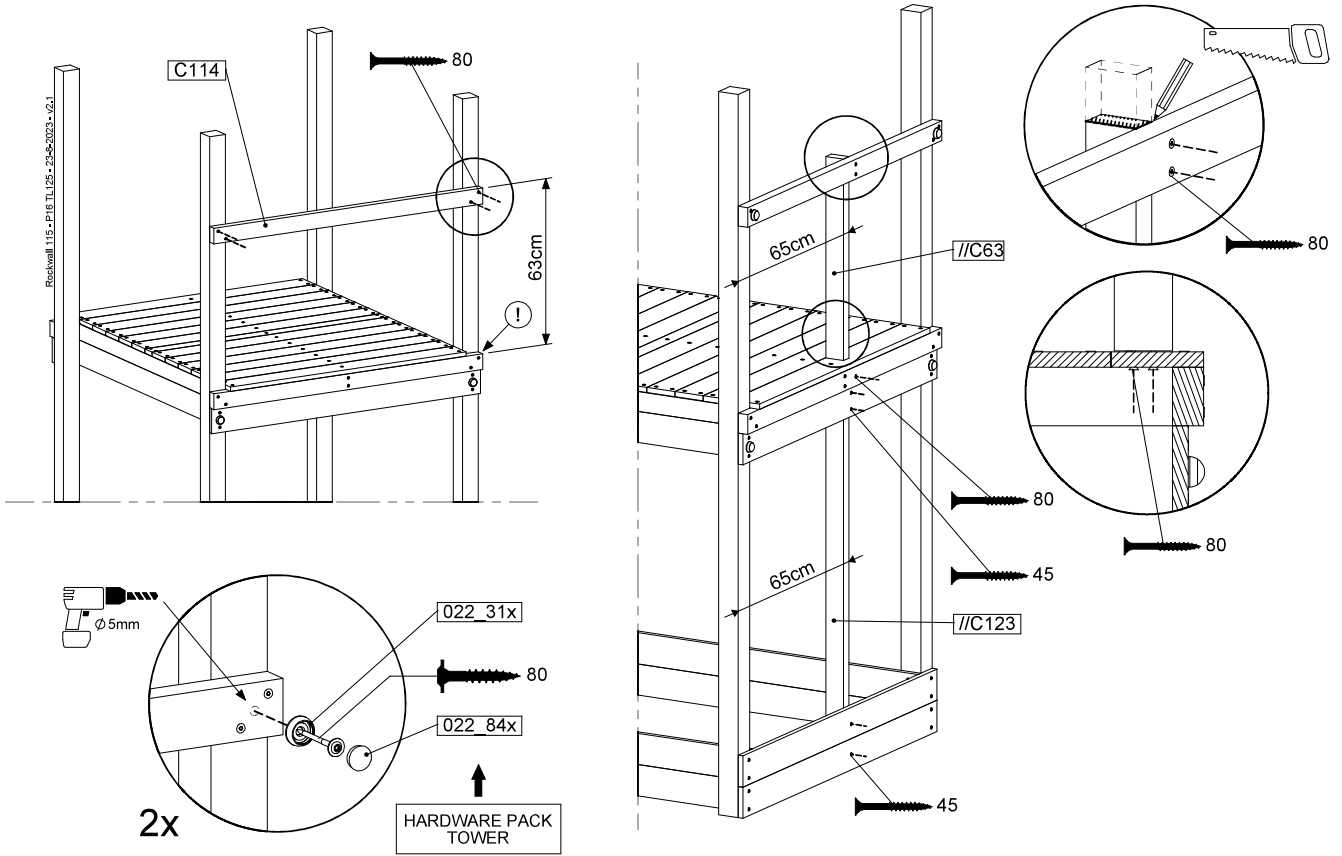
( 194\_006 + 194\_101)

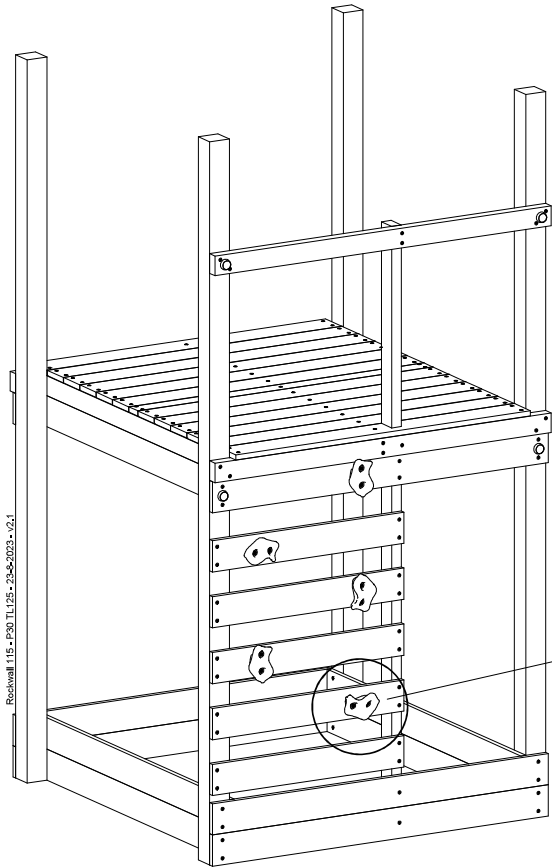
	PartNo	PartName	QTY.
Hardware Pack	001_102	Washer Head Screw T40 M8x30	10
	002_220	Gap Point Screw T25 - 5x45	36
	002_223	Gap Point Screw T25 - 5x80	9
	003_010	M8 spring lock washer	10
	004_050	M8 Drive-in Nut 22mm	10
Other	022_50x	Climbing Rock	5
	120_102	Handgrip set (complete 2x)	1
Timber	C114	Beam 1140 mm	1
	C186	Beam 1860 mm	1
	D65	Board 650 mm	8

Rockwall 115 - P106 TL 105 - 23-8-2023 - v2.1

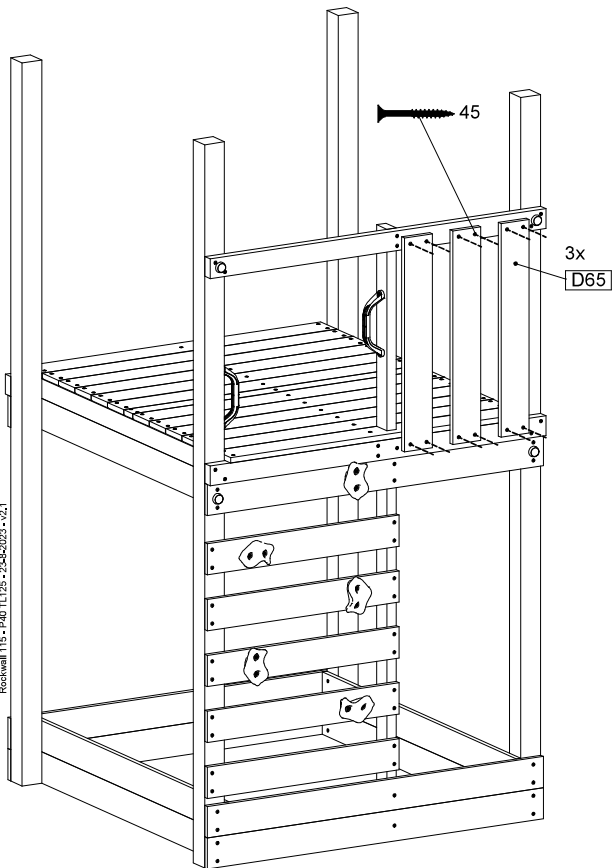
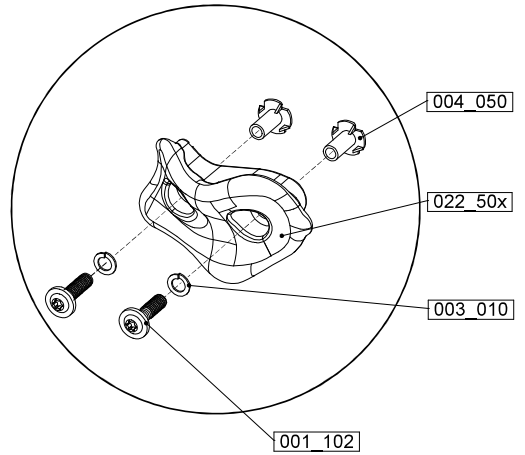
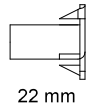
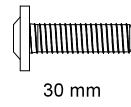


# 10.1

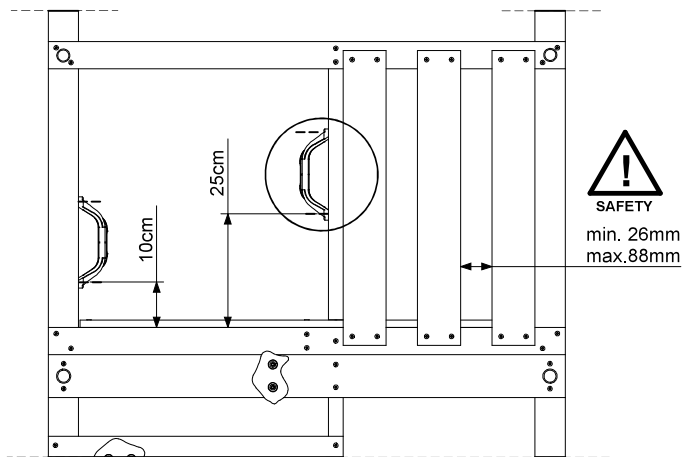
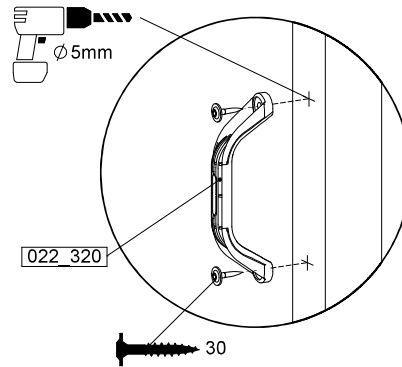




Rectwall 115 - P30 TL195 - 23-8-2023 - v2.1



Rectwall 115 - P40 TL195 - 23-8-2023 - v2.1

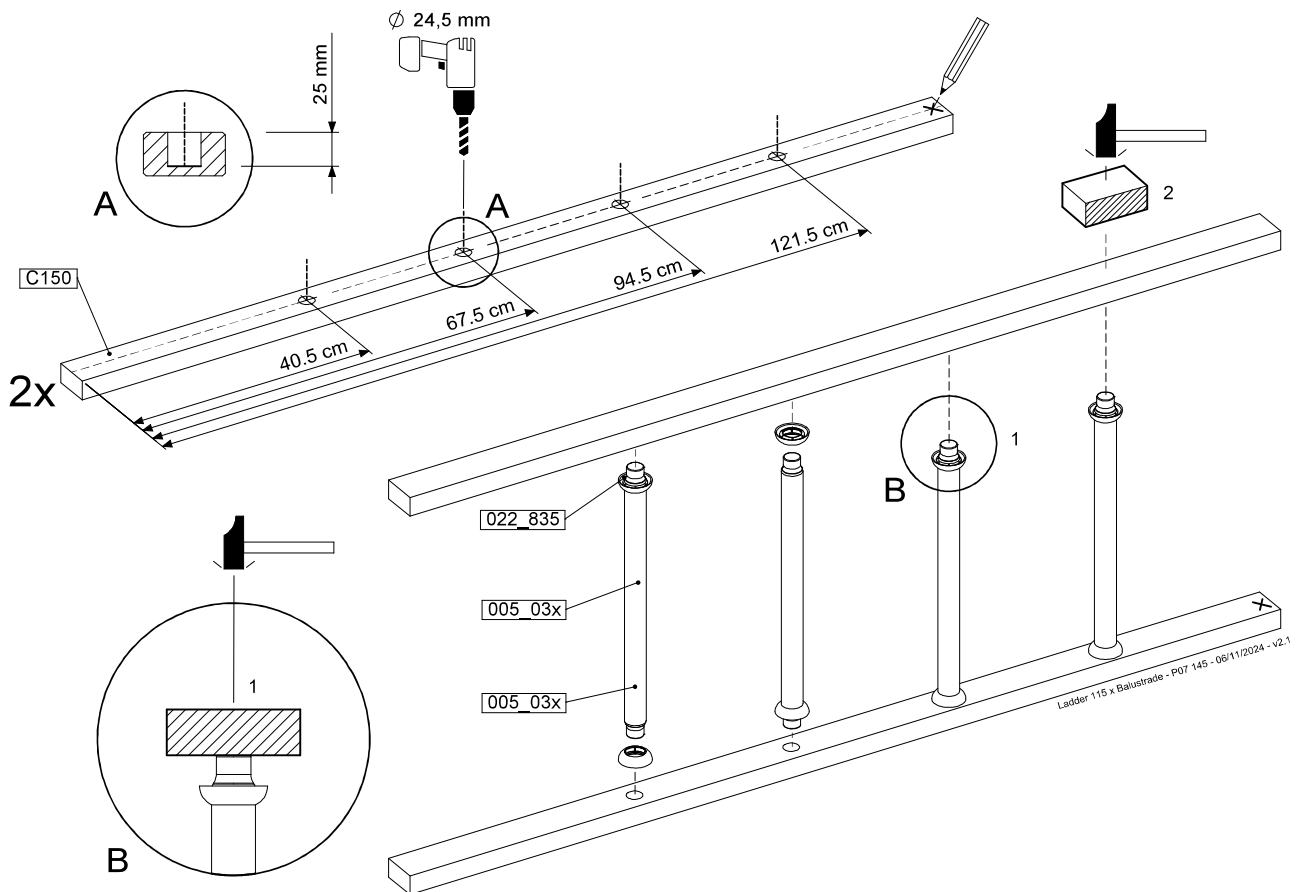
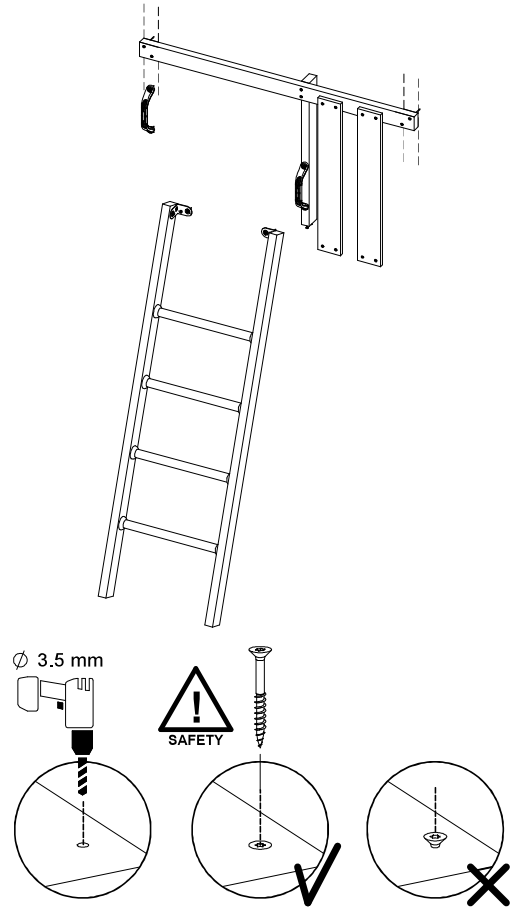


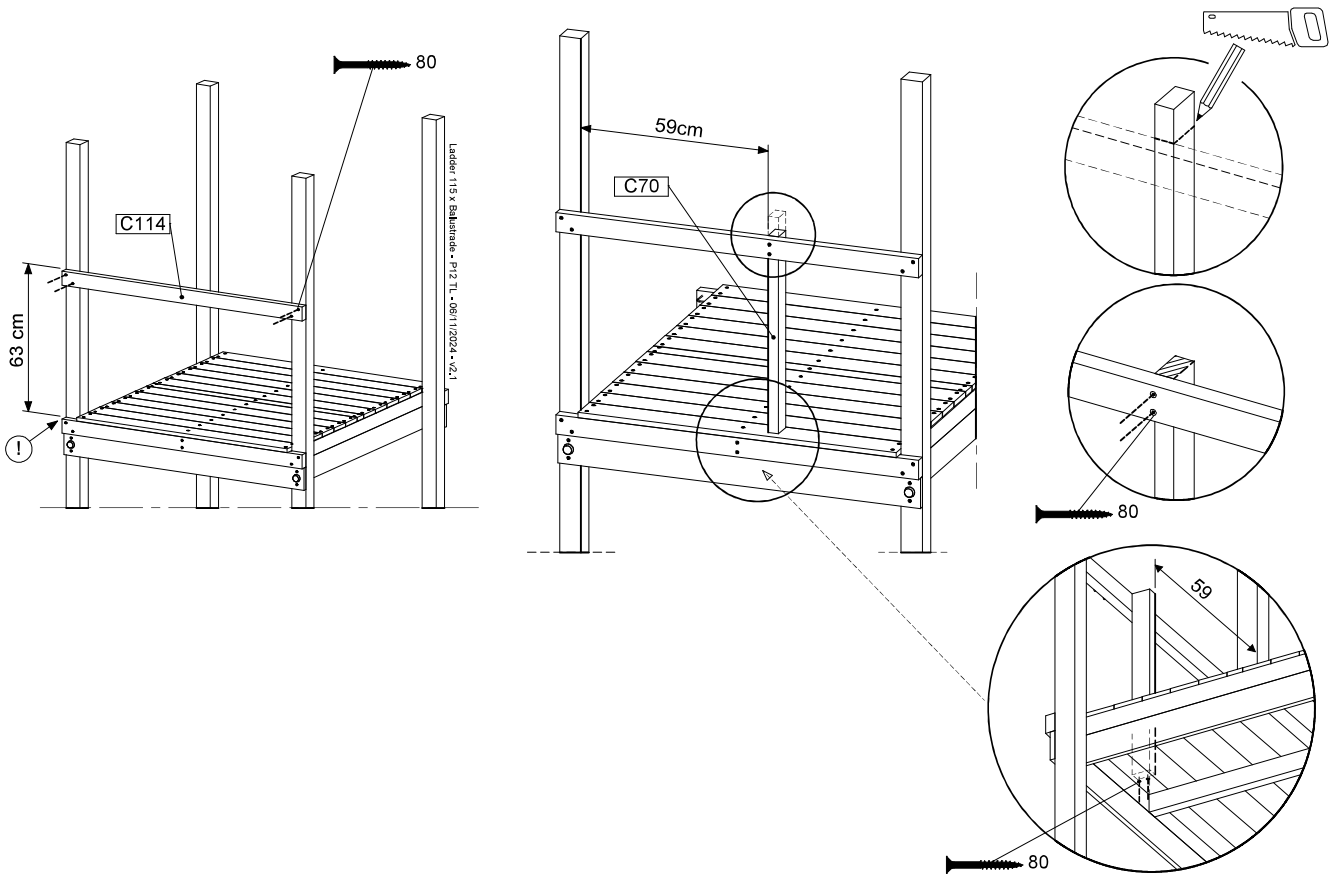
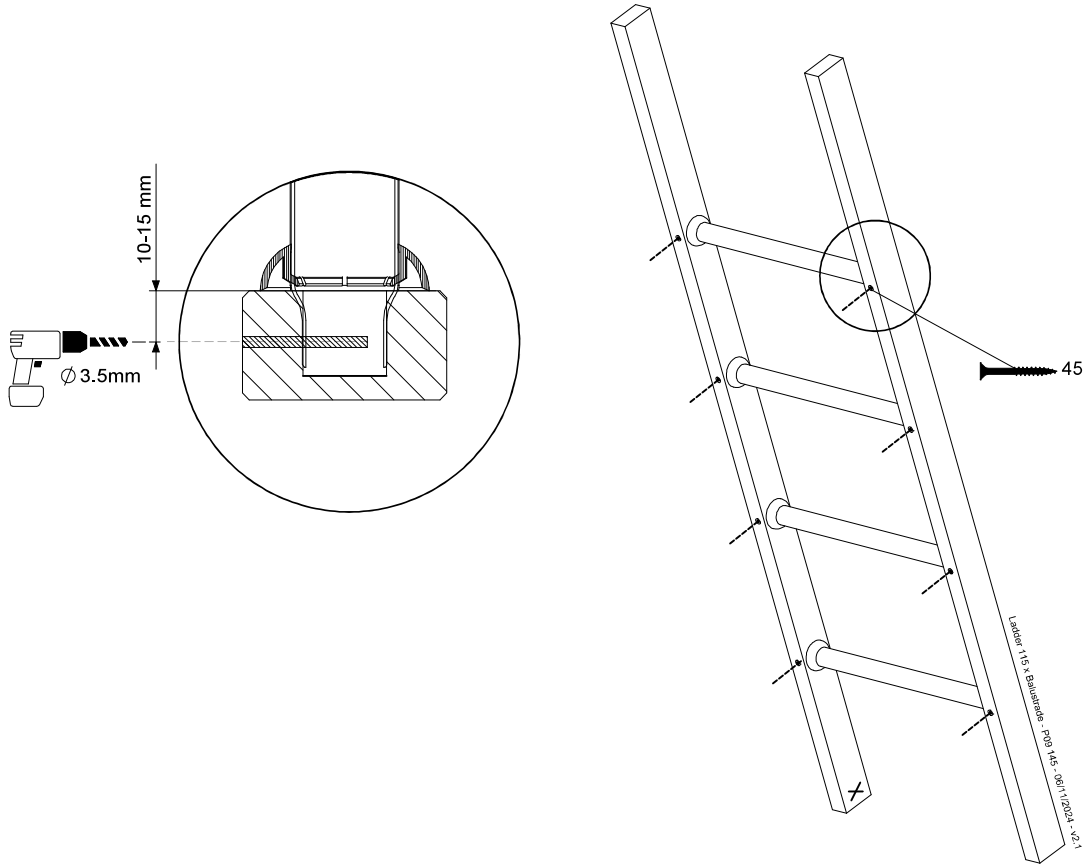
# 11 LA17a: Ladder 115 145 T Left

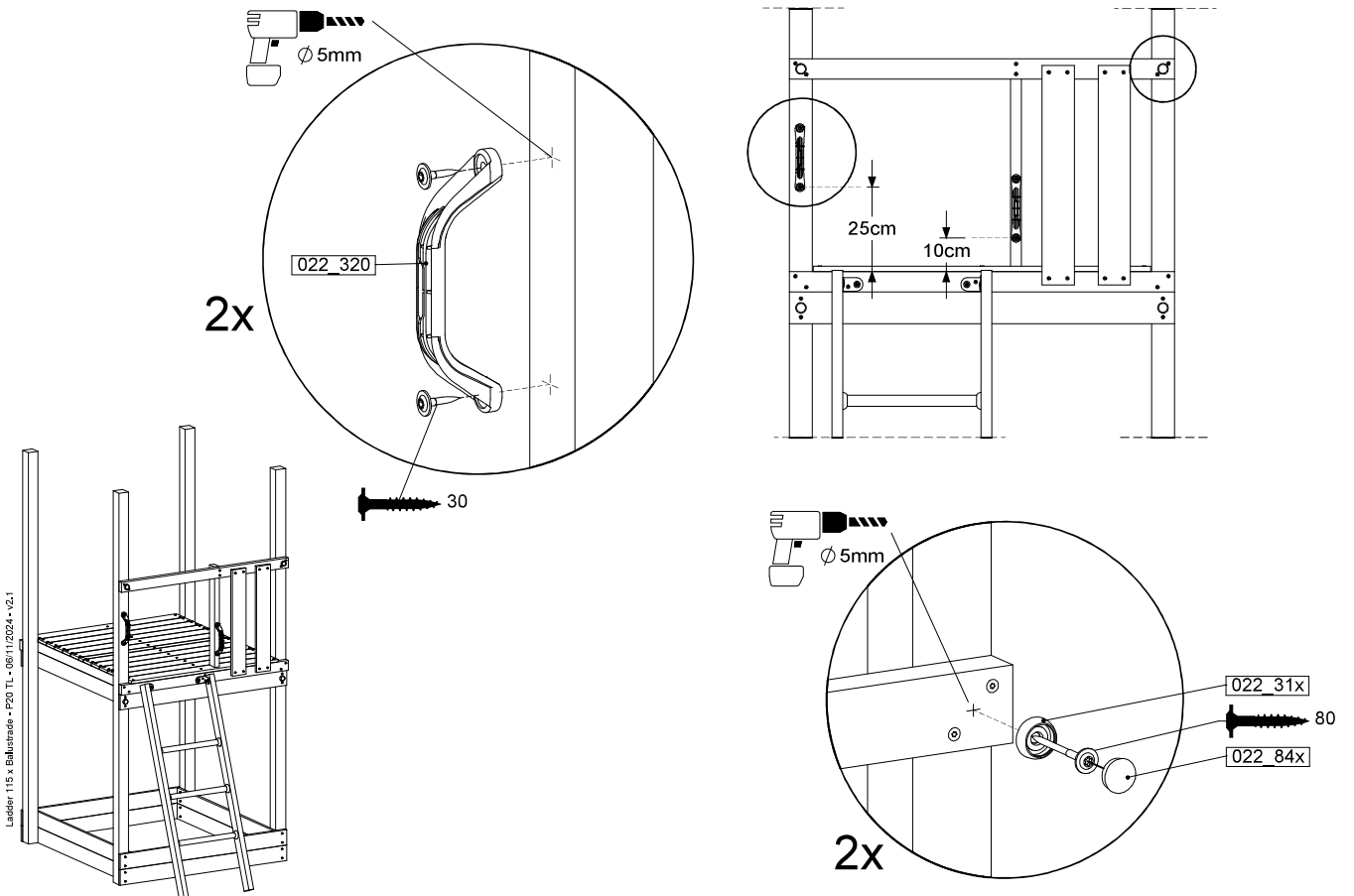
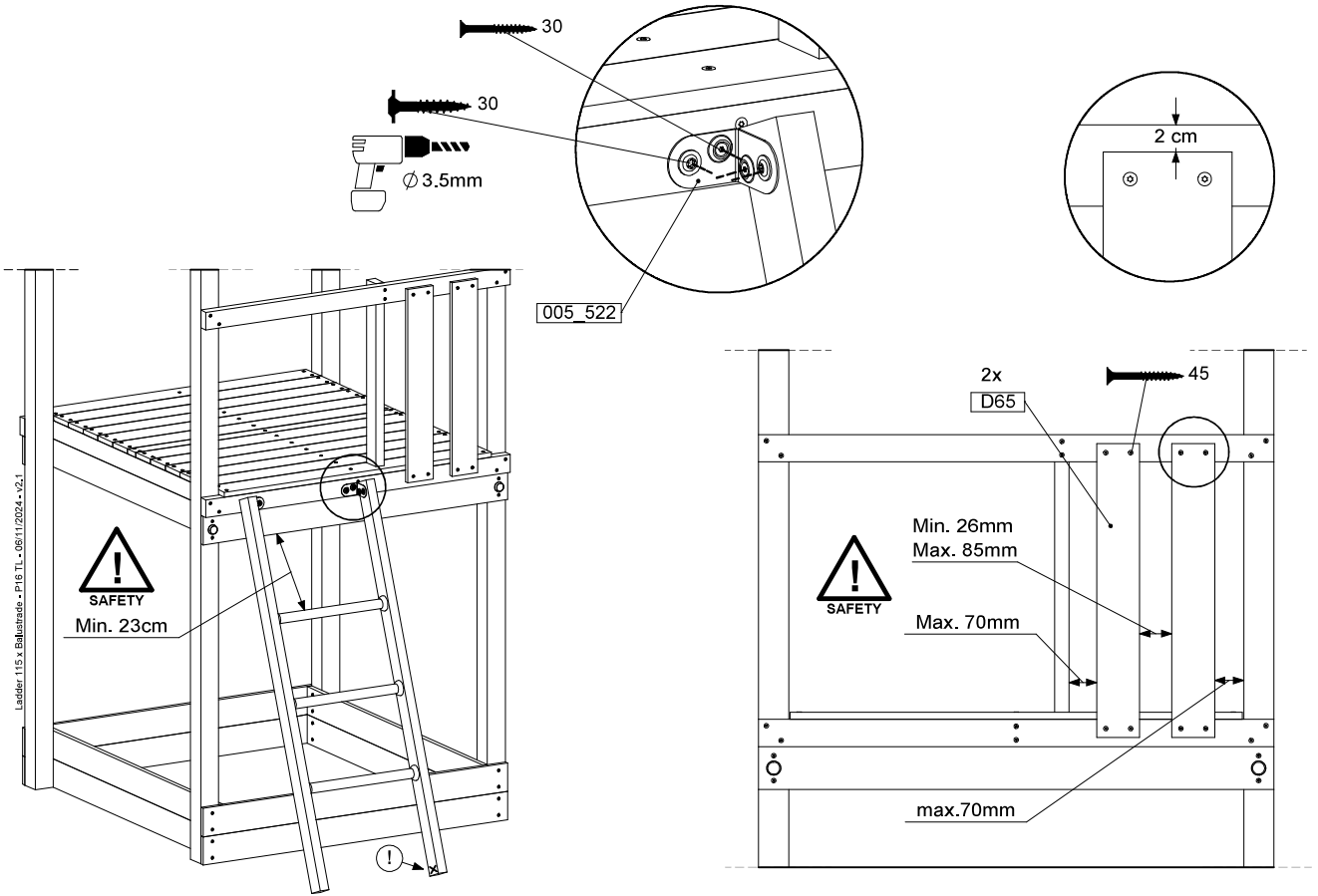
Assembly Packs: 194\_101 + 194\_004 / 194\_104

	PartNo	PartName	QTY.
Hardware + Parts	001_404	Stealth Screw 8x30	4
	002_219	Gap Point Screw T25 - 5x30	4
	002_220	Gap Point Screw T25 - 5x45	16
	002_223	Gap Point Screw T25 - 5x80	8
	005_03x	Ladder Rung Y/B/G/R	4
	005_522	Connection Bracket Mini Market	2
	022_835	Rung Cap	8
	120_102	Handgrip set (complete 2x)	1
Timber	C114	Beam 1140 mm	1
	C150	Beam 1500 mm	2
	C70	Beam 700 mm	1
	D65	Board 650 mm	2

Ladder 115 x Balustrade - P24 TC 145 - 08/11/2024 - v2.1





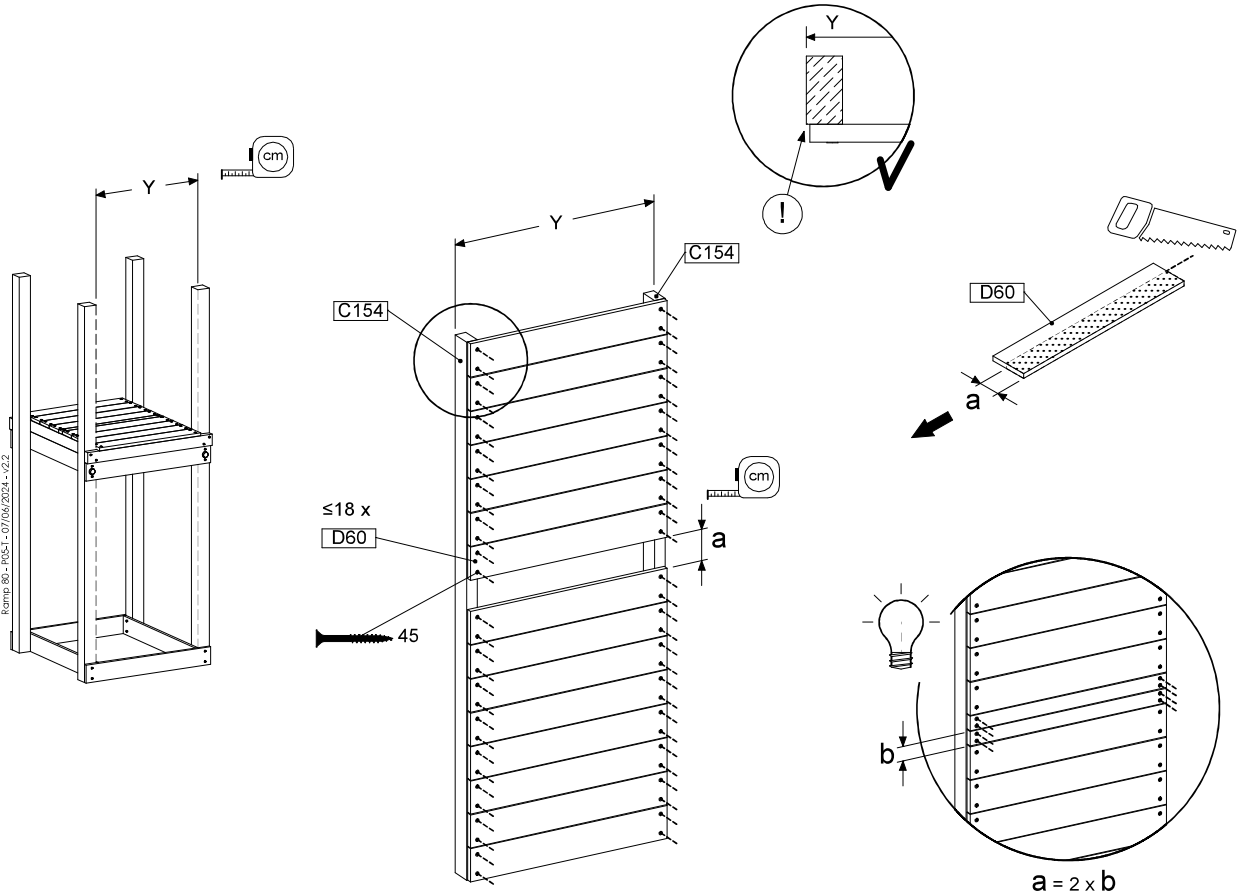
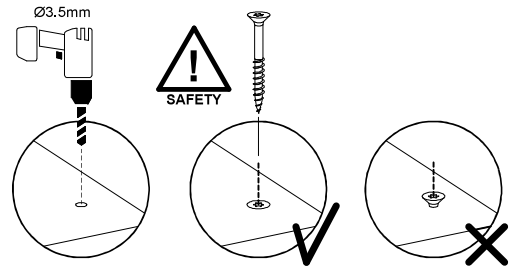
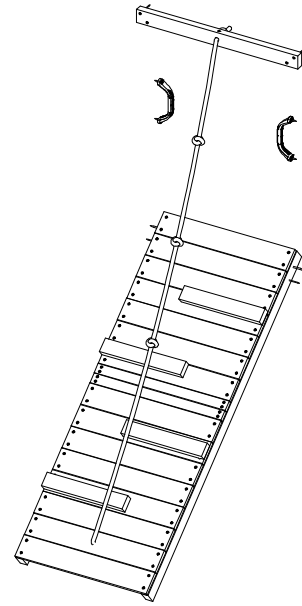


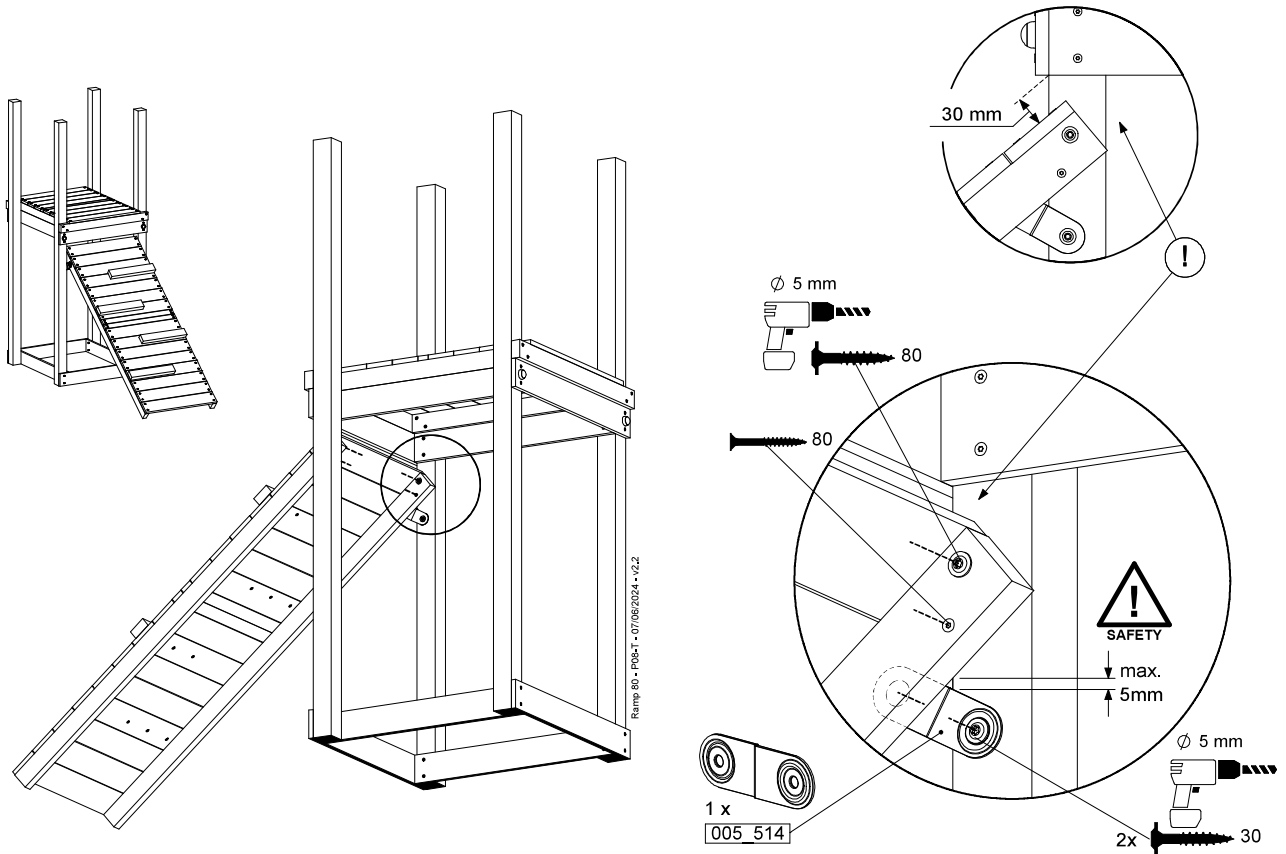
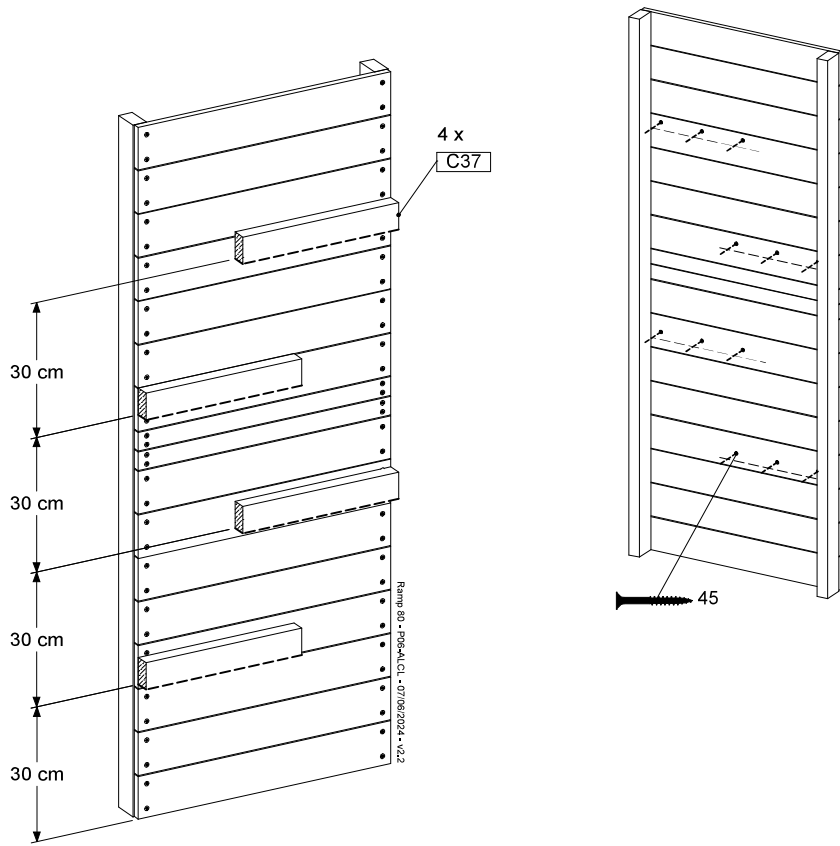
# 12 RA04a: Ramp 80 125 T

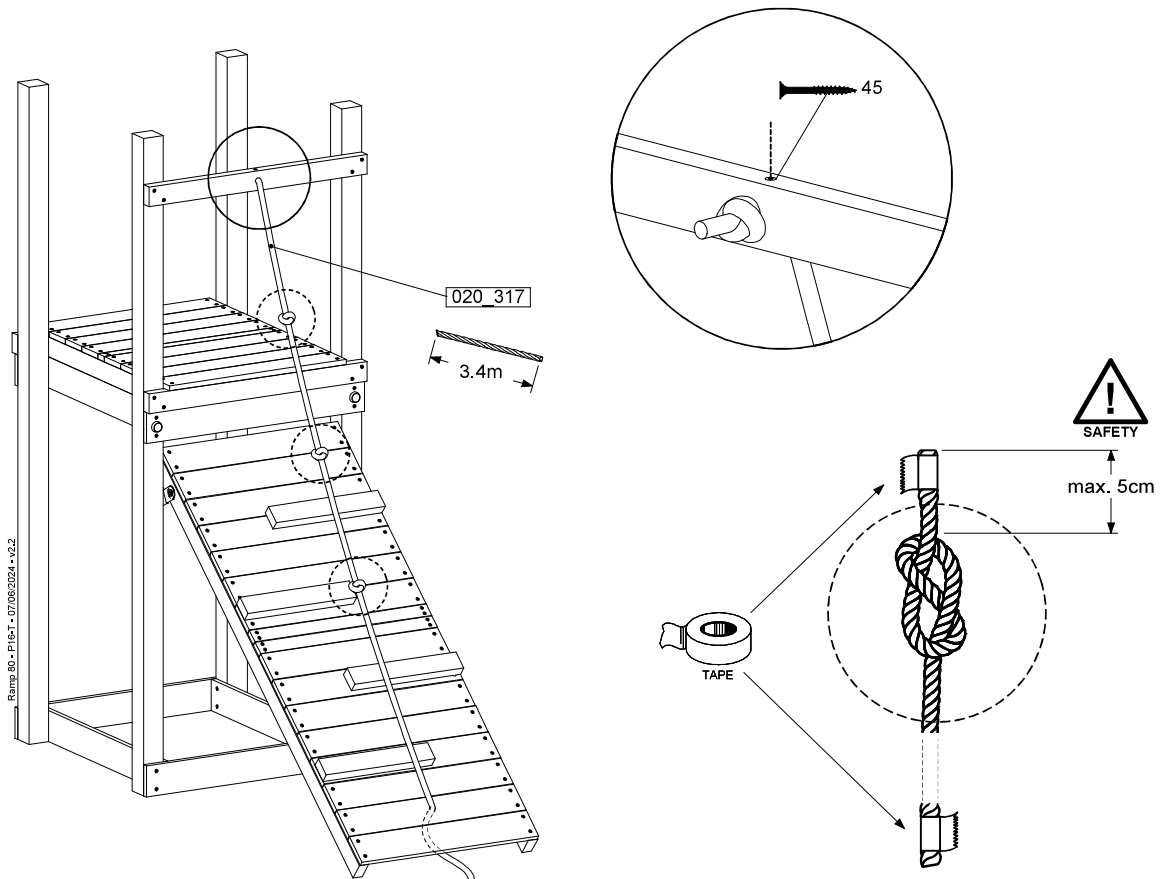
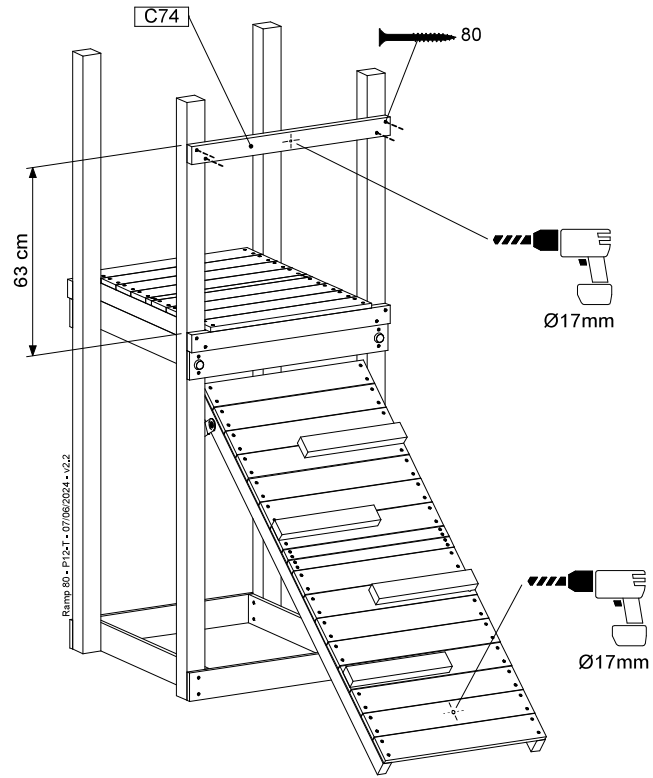
Assembly Pack: 194\_008

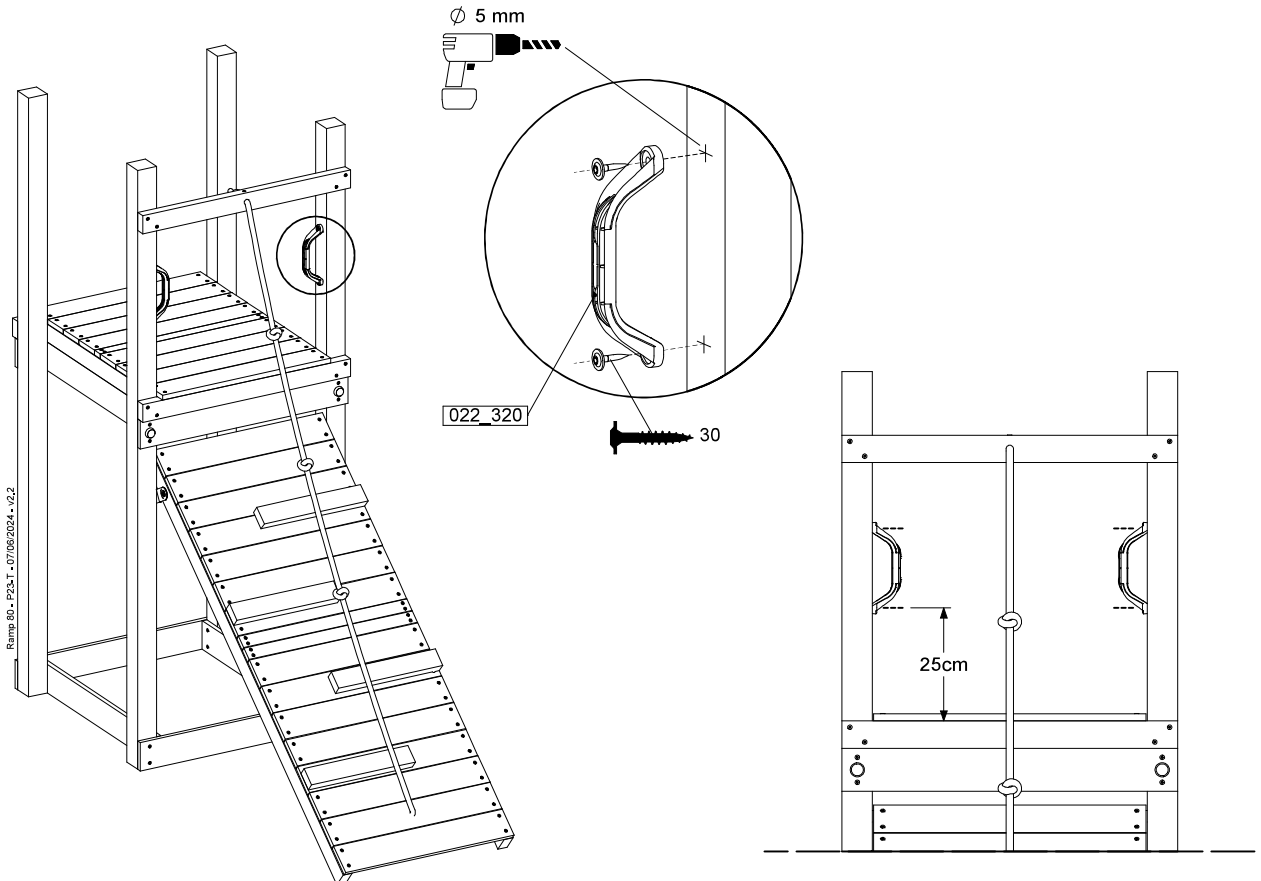
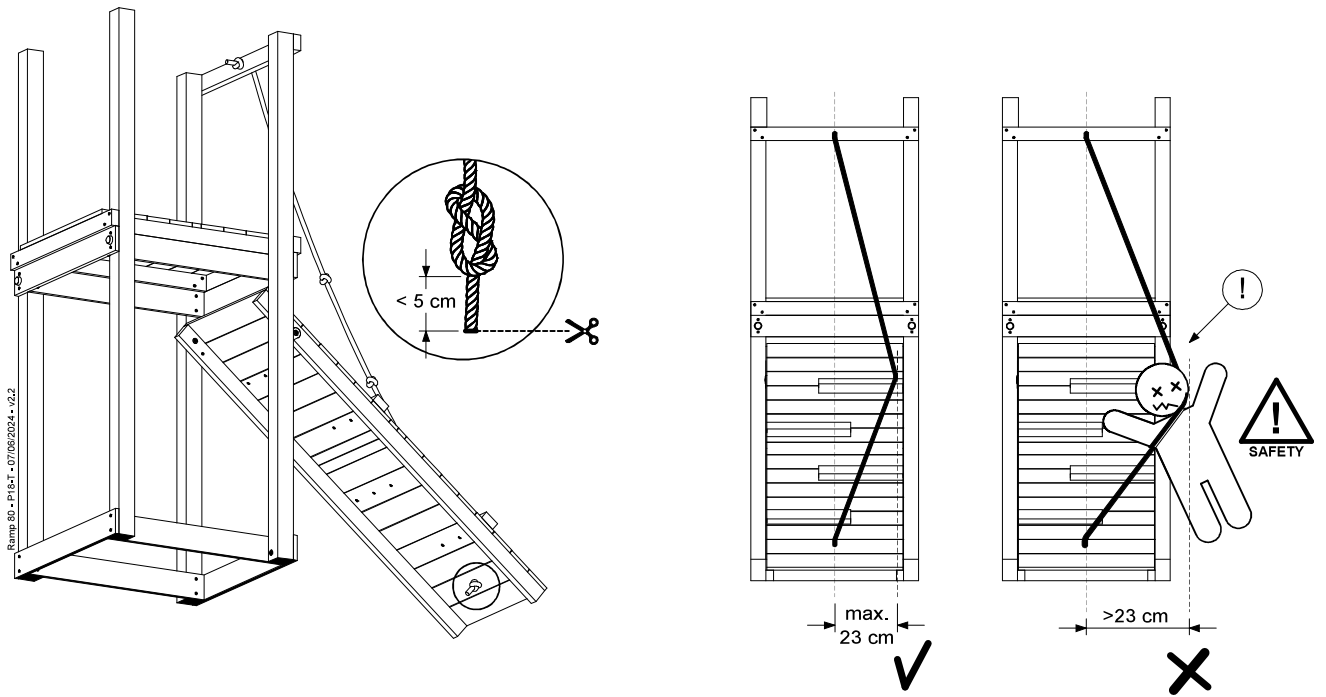
	PartNo	PartName	QTY.
Hardware + Parts	001_404	Stealth Screw 8x30	2
	001_417	Stealth Screw 8x80	2
	002_220	Gap Point Screw T25 - 5x45	85
	002_223	Gap Point Screw T25 - 5x80	6
	005_514	Ladder Bracket	1
	020_317	Rope Polyester 16mm Green 3.4m	1
	120_102	Handgrip set (2x Complete)	1
Timber	C37	Beam 370 mm	4
	C74	Beam 740 mm	1
	C154	Beam 1540 mm	2
	D60	Board 600 mm	18

Ramp 80 - P02-Tbeam - 07/06/2024 - v2.2







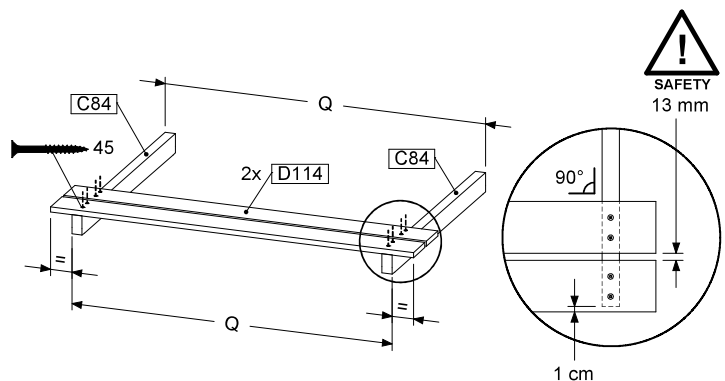
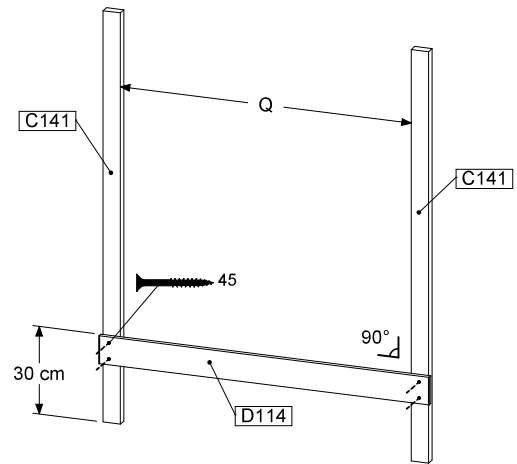
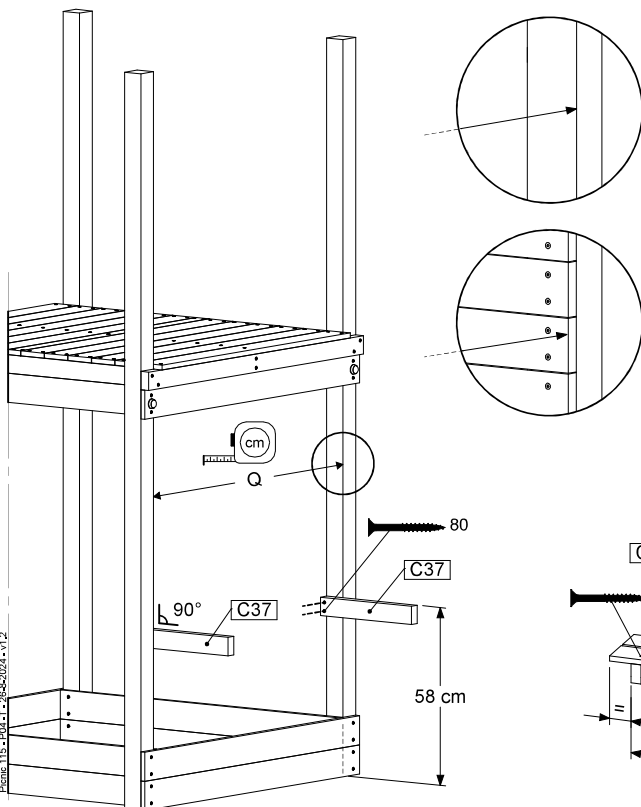
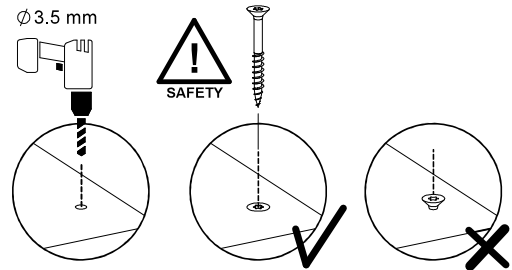
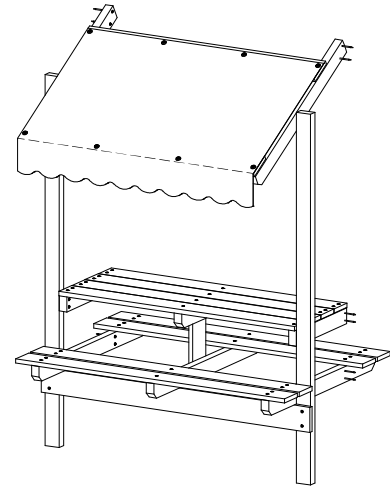


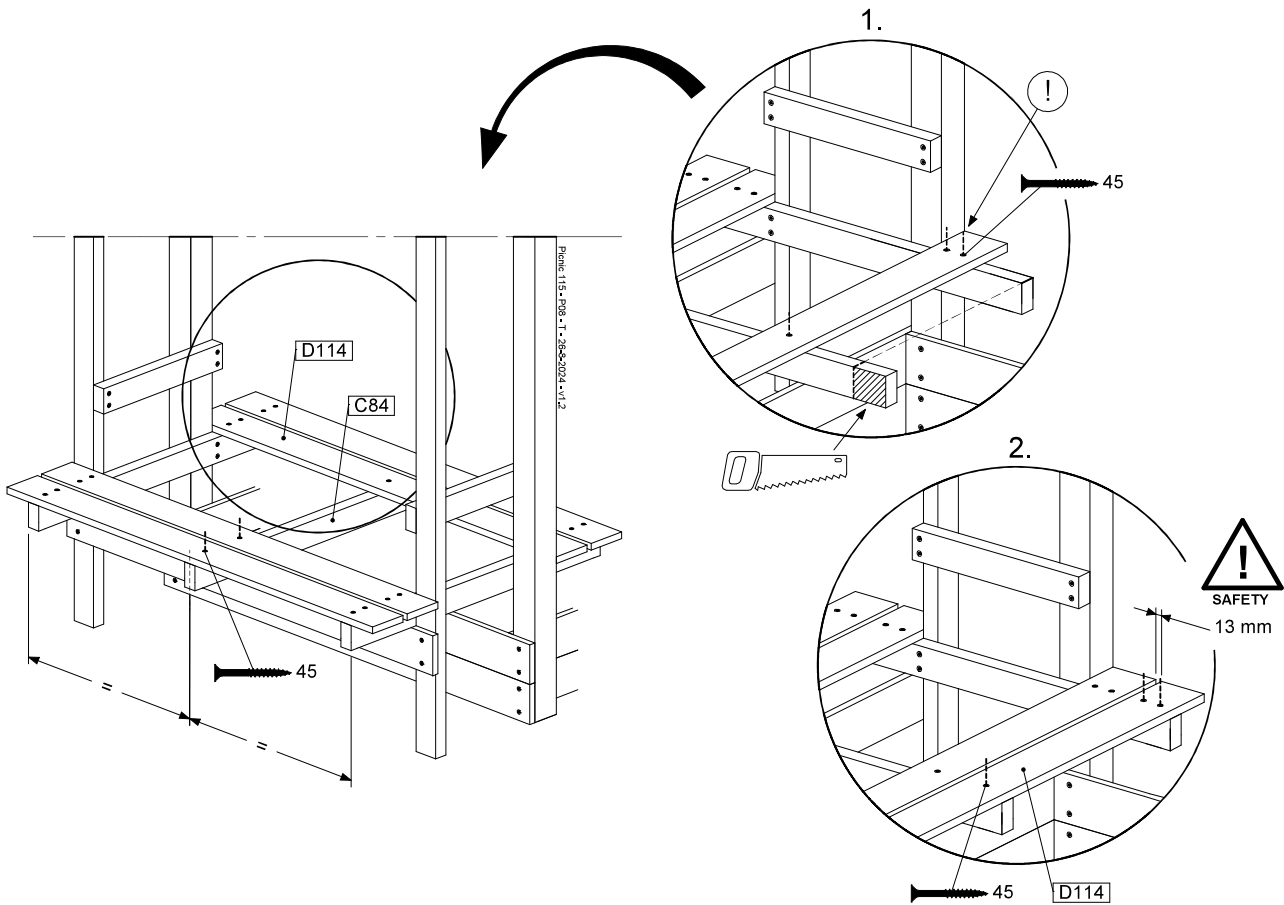
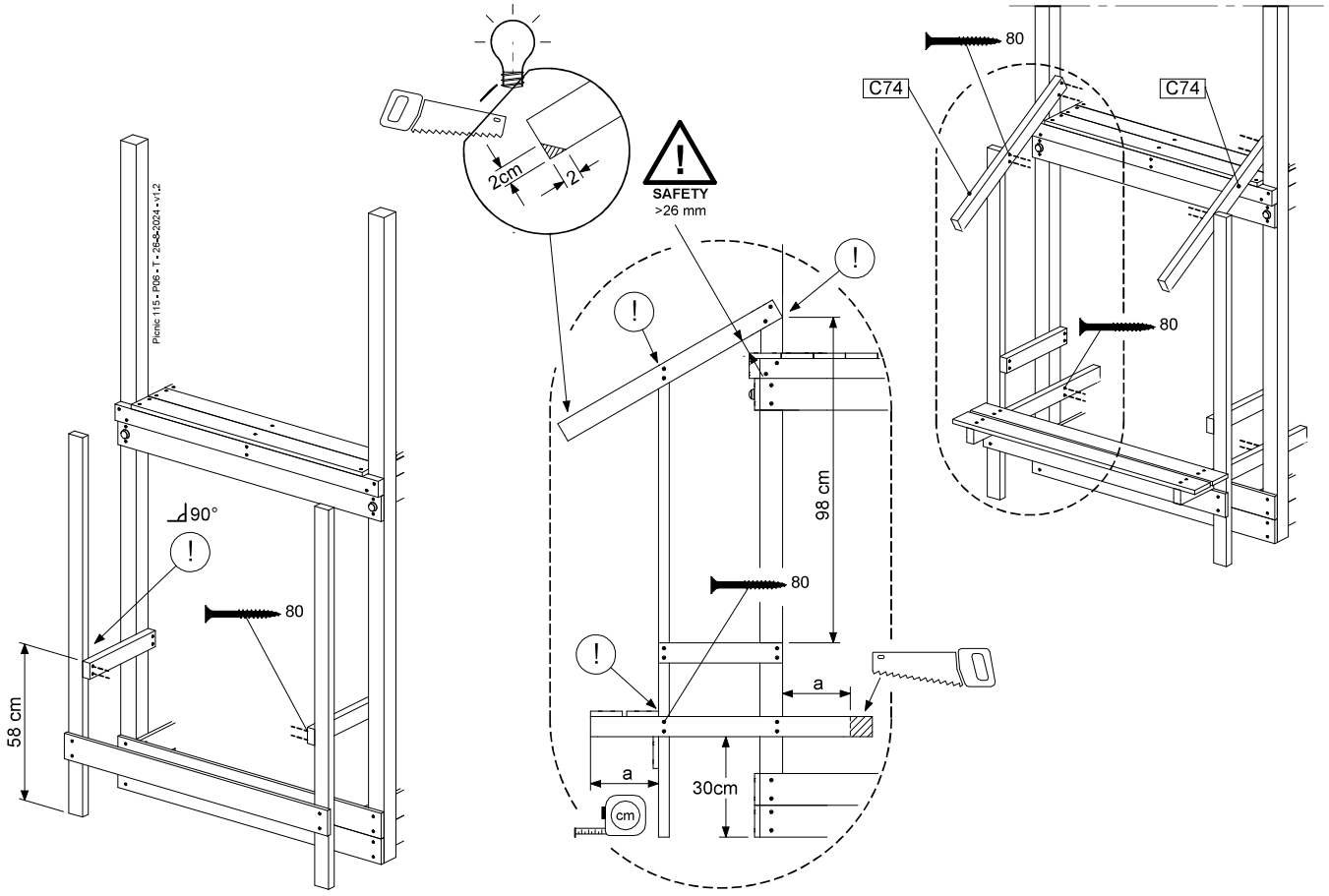
# 13 PC06a: Picnic 115 T

Assembly Pack: 194\_810

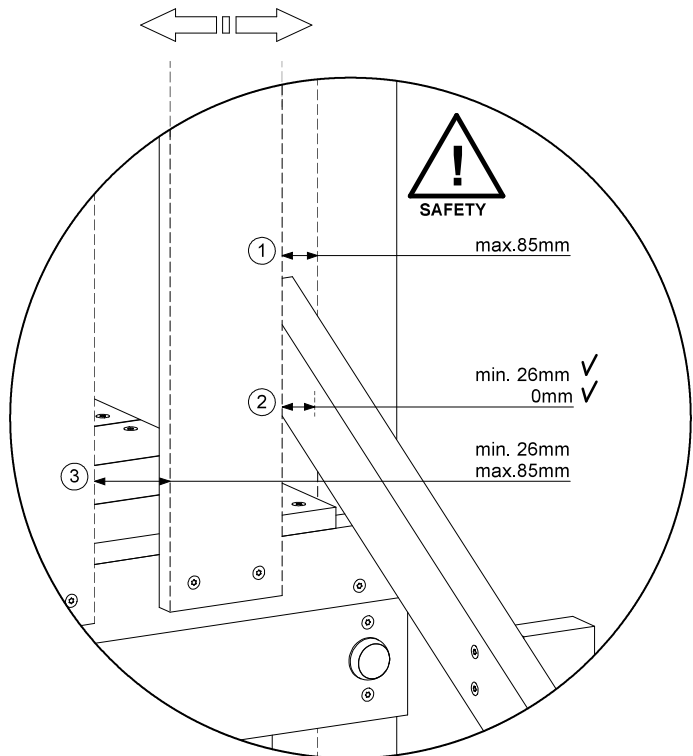
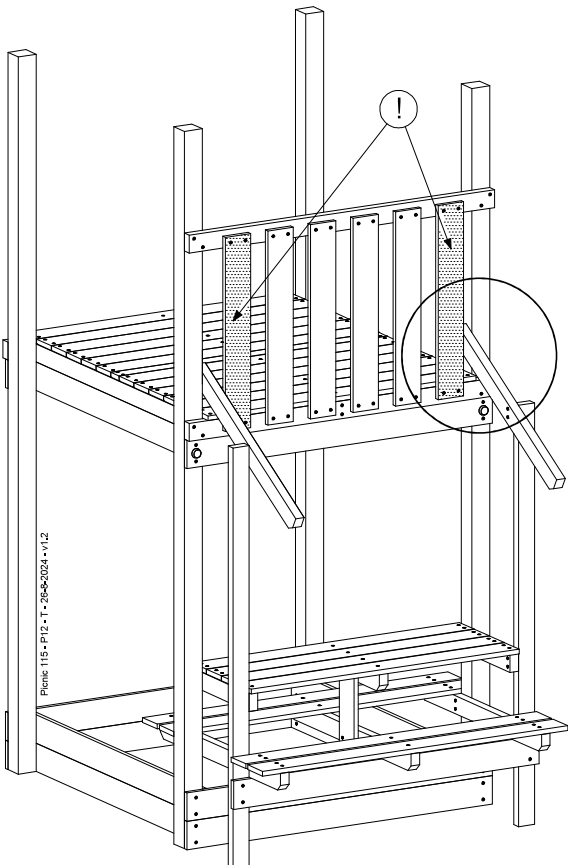
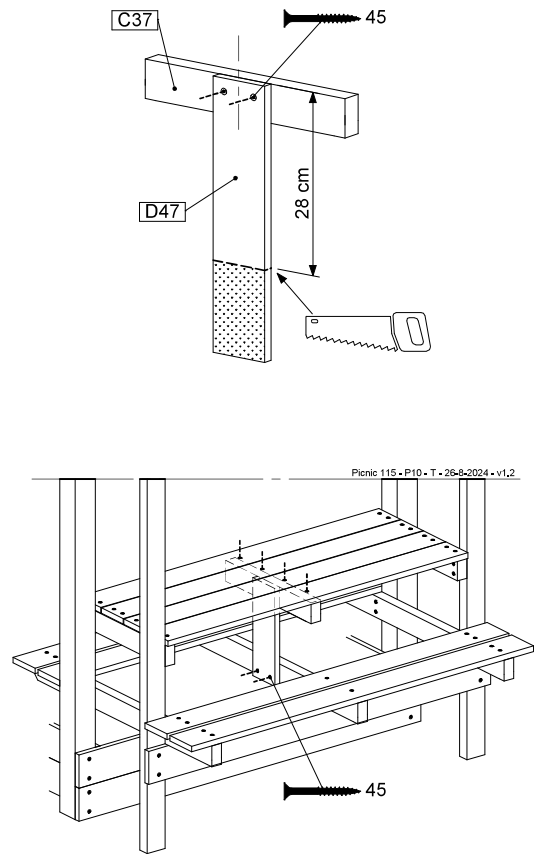
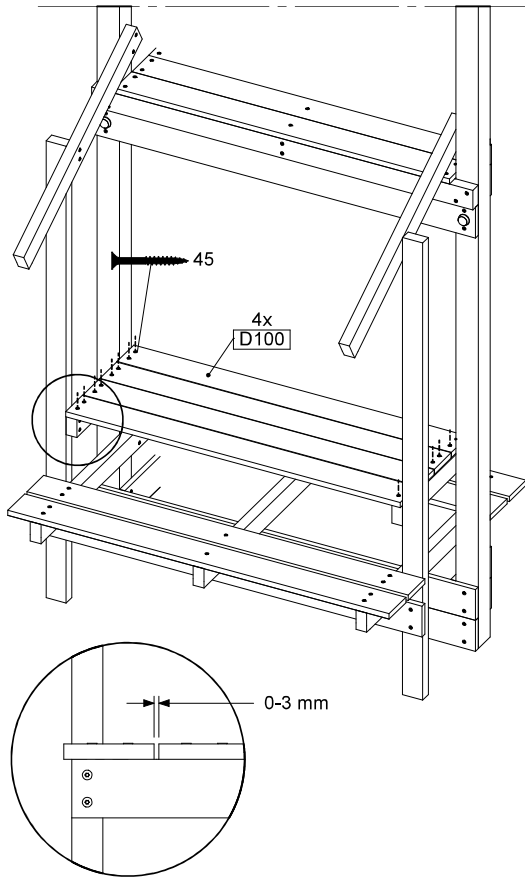
	PartNo	PartName	QTY.
Hardware + Parts	002_220	Gap Point Screw T25 - 5x45	56
	002_223	Gap Point Screw T25 - 5x80	24
	002_308	Gap Point Screw T25 - 5x20	8
	023_031	Finishing Washer GPS 5.0	8
	123_220	Canvas sheet 735x1365mm	1
Timber	C37	Beam 370 mm	3
	C74	Beam 740 mm	2
	C84	Beam 840 mm	3
	C141	Beam 1410 mm	2
	D47	Board 470 mm	1
	D100	Board 1000 mm	6
	D114	Board 1140 mm	5

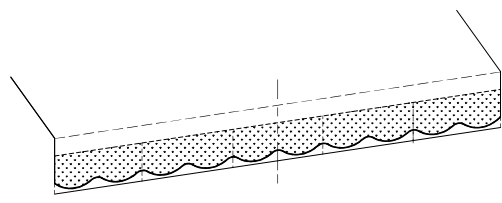
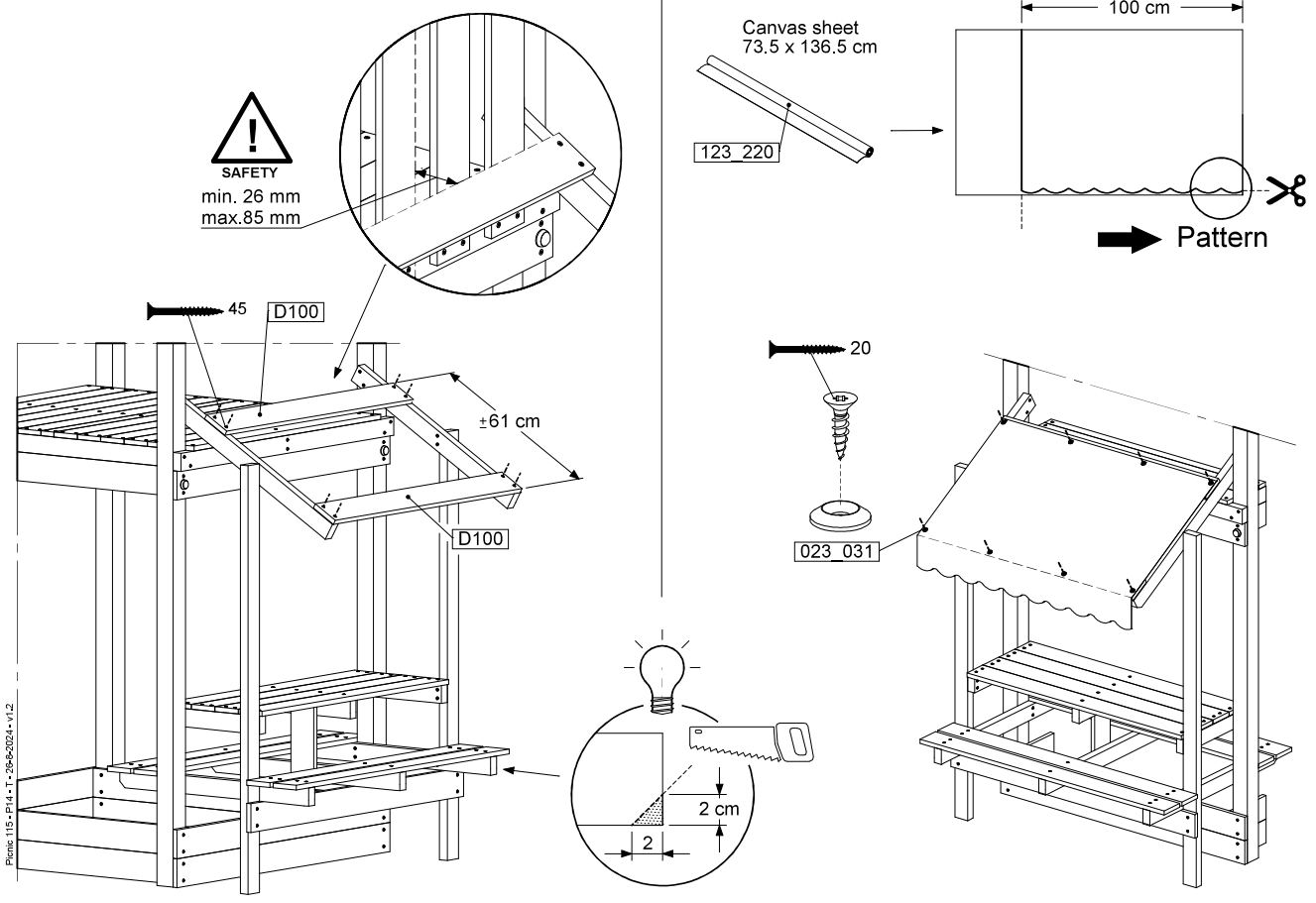
Picnic 115 - PD02 - JUT - 265-8-2024 - v1.2



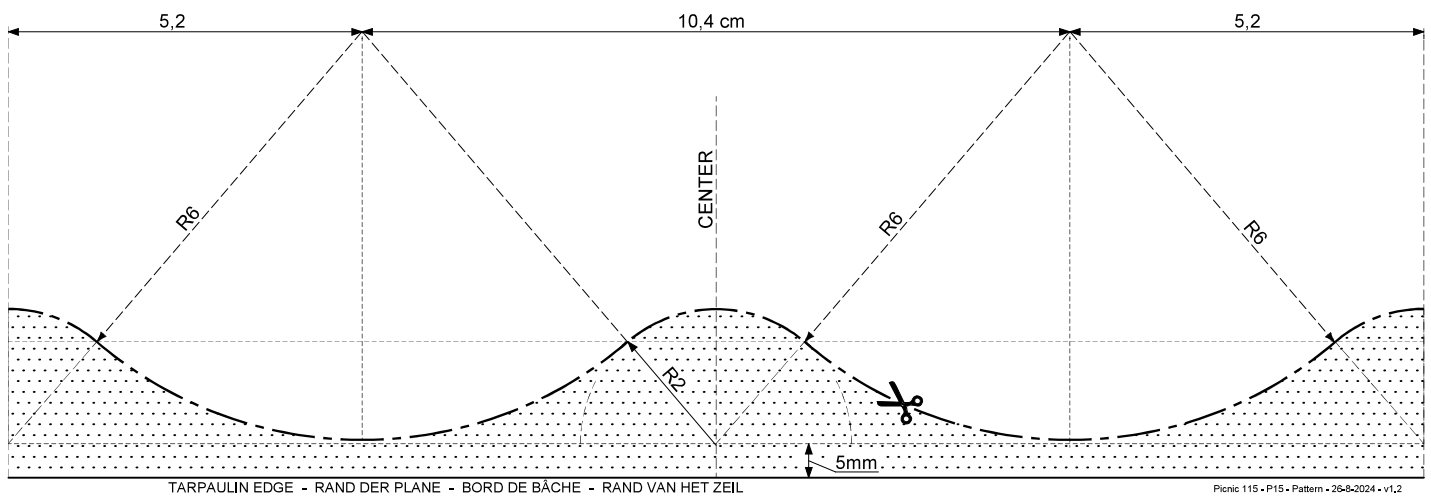


# 13.2





EXAMPLE PATTERN  
 BEISPIELVORLAGE FÜR MARKISE  
 SCHÉMA SUGGÉRÉ DE DÉCOUPE POUR AUVENT  
 VORBEELDSJABLOON LUIFEL



← repeat

repeat →

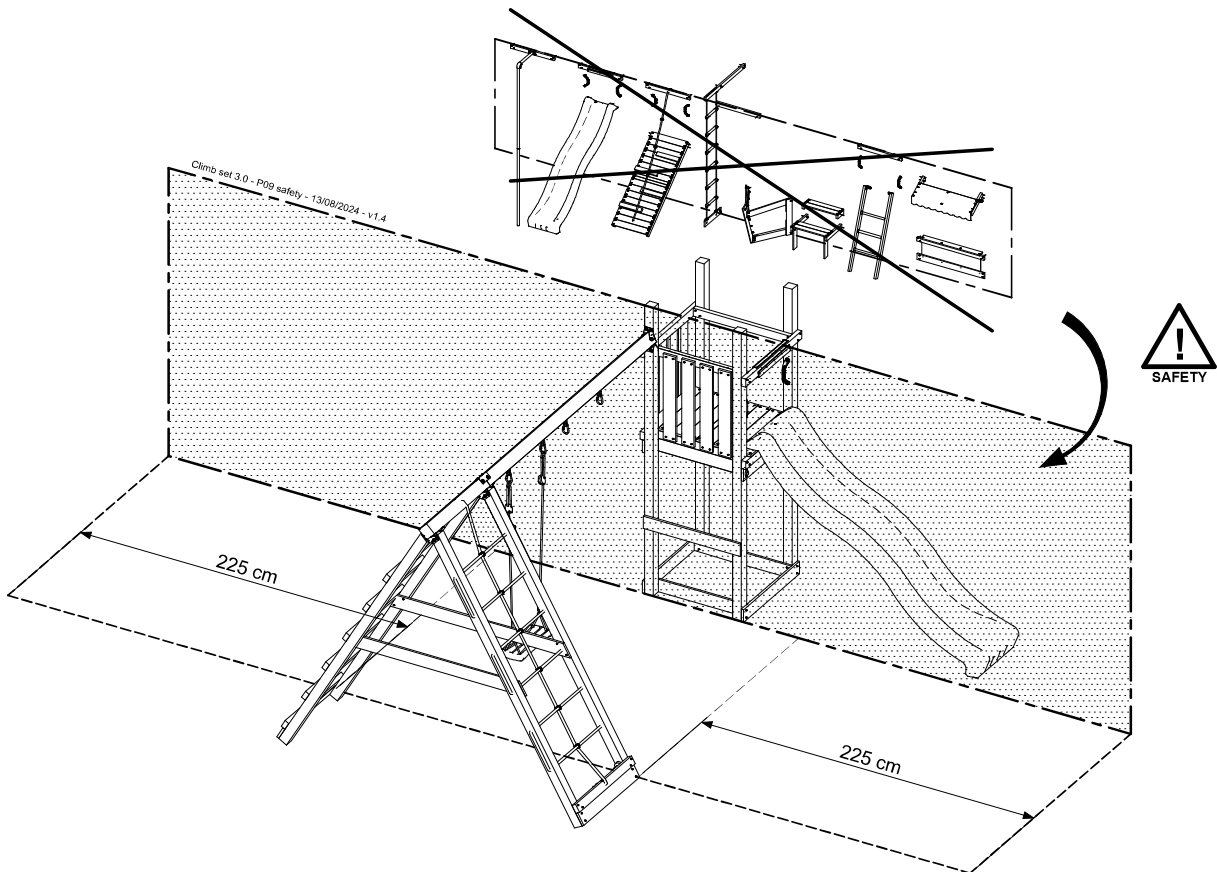
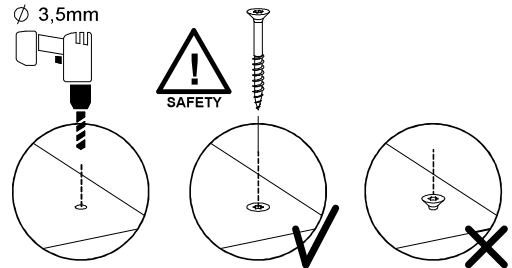
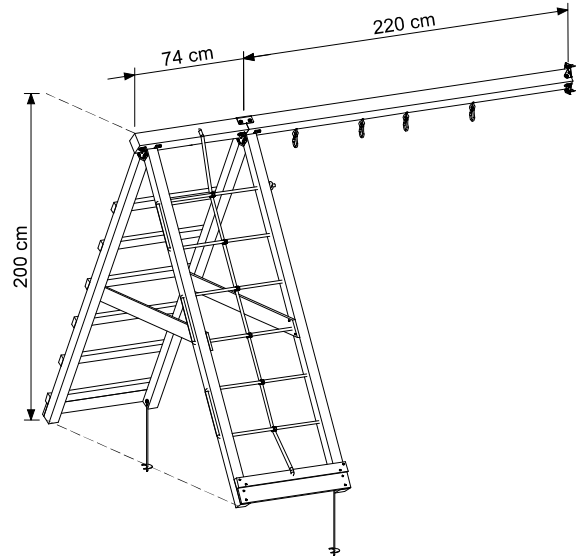
! Scale of print may not be accurate.  
 Druckformat kann abweichen.  
 Les tailles imprimées peuvent varier.  
 Printformaat kan afwijken.

# 14 CL06a: 2- Climb Module 200 - 3.0

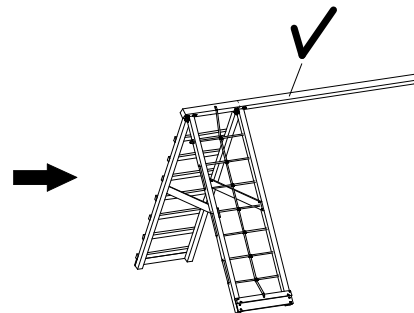
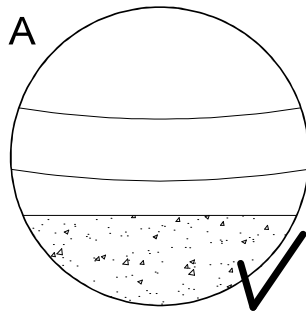
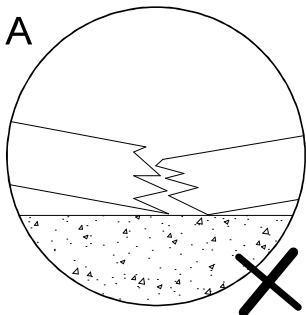
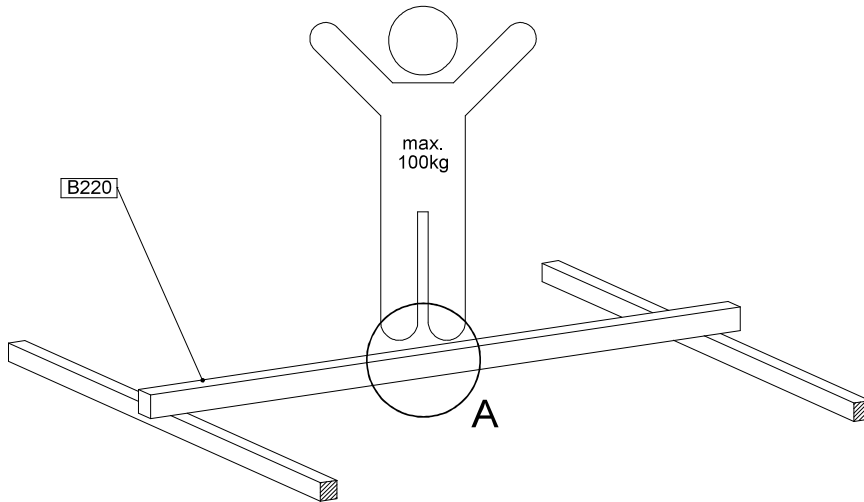
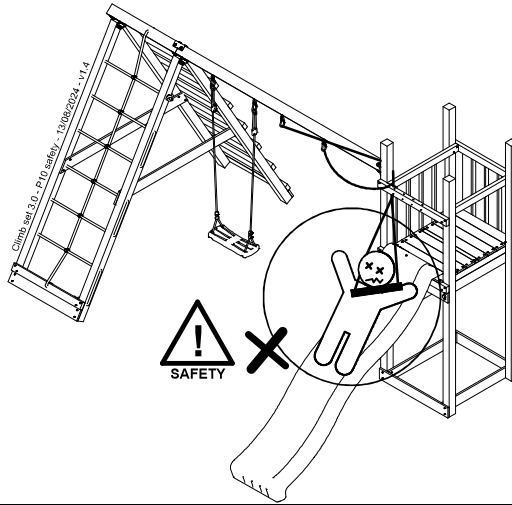
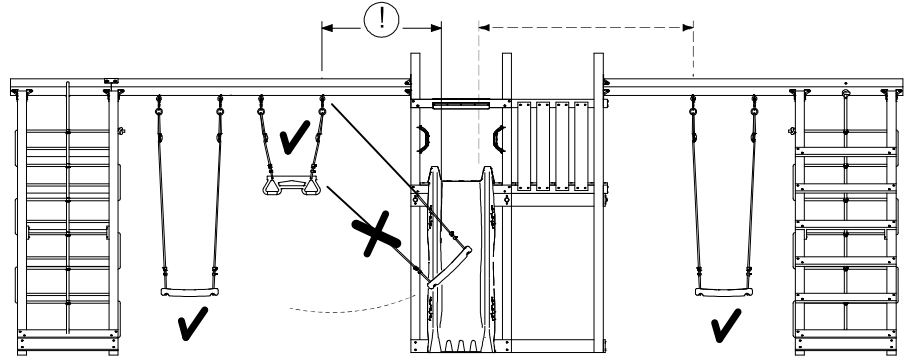
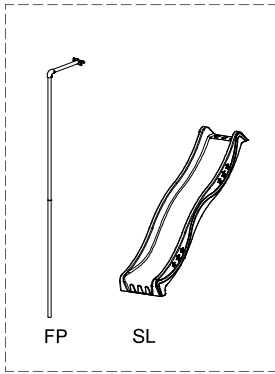
Assembly Kit: 457\_107

	PartNo	PartName	QTY.
Hardware + Parts	001_404	Stealth Screw 8x30	4
	001_406	Stealth Screw 8x45	34
	001_417	Stealth Screw 8x80	2
	002_220	Gap Point Screw T25 - 5x45	34
	002_223	Gap Point Screw T25 - 5x80	31
	002_301	Dry Wall Screw PH2 3.9 x 40 mm	6
	023_042	Nylon washer 9x19x1.5	36
	005_096	A-Frame V-Connector	4
	005_097	Swing V-Connector	2
	005_099	Climber Top Connector	1
	007_001	Ground-anchor	2
	020_317	Rope Polyester 16mm Green 3.4m	1
	020_318	Rope Polyester 16mm Green 8.1m	1
	022_455	Rope Cross Connector Egg	6
101_003	Swing hook with Carabiner	4	
Timber	A220	Post ca.70x70 L2200	4
	B74	Post ca.90x90 L740	1
	B220	Post ca.90x90 L2200	1
	C74	Beam 740 mm	7
	D74	Board 740 mm	2
	D141	Board 1410 mm	3

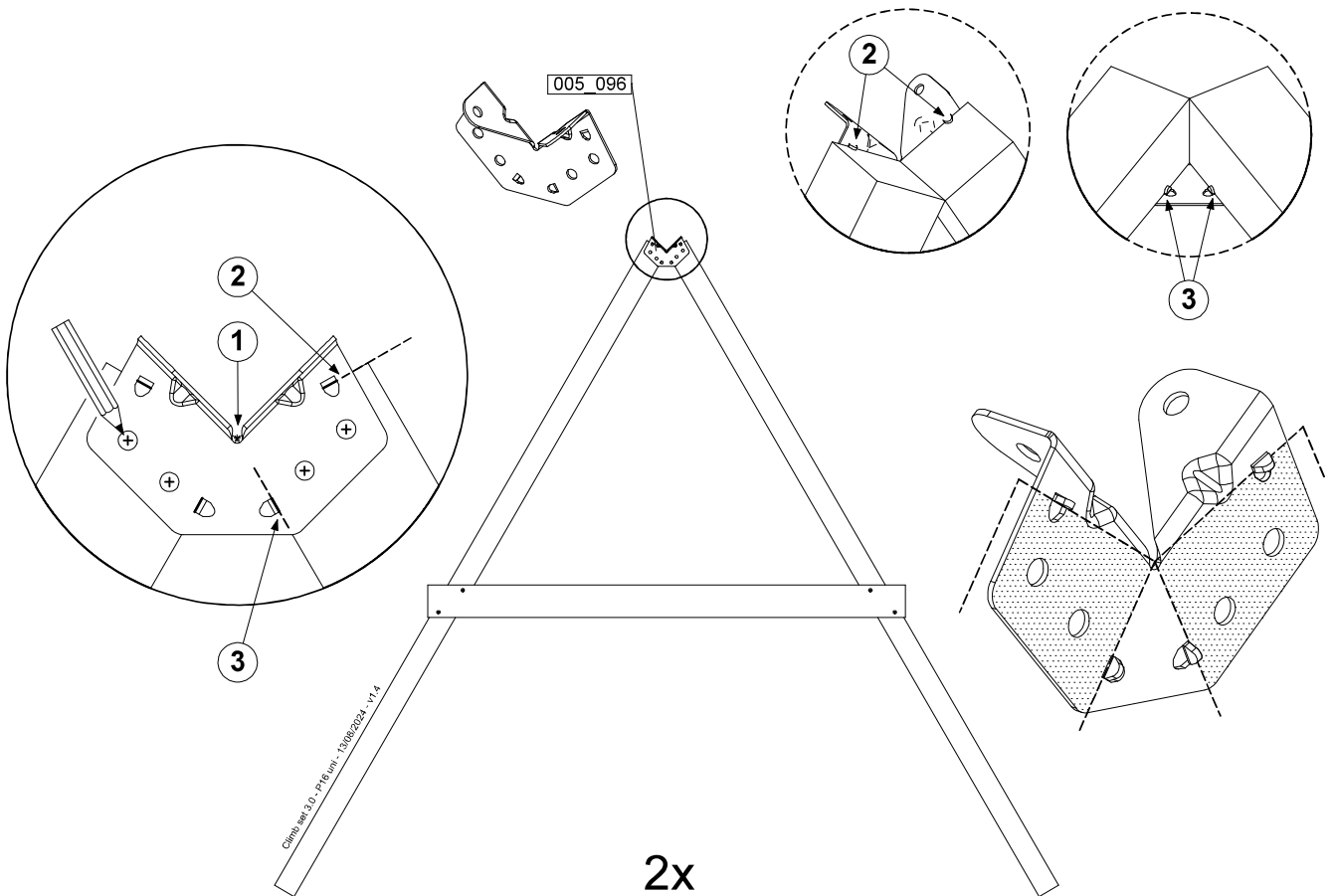
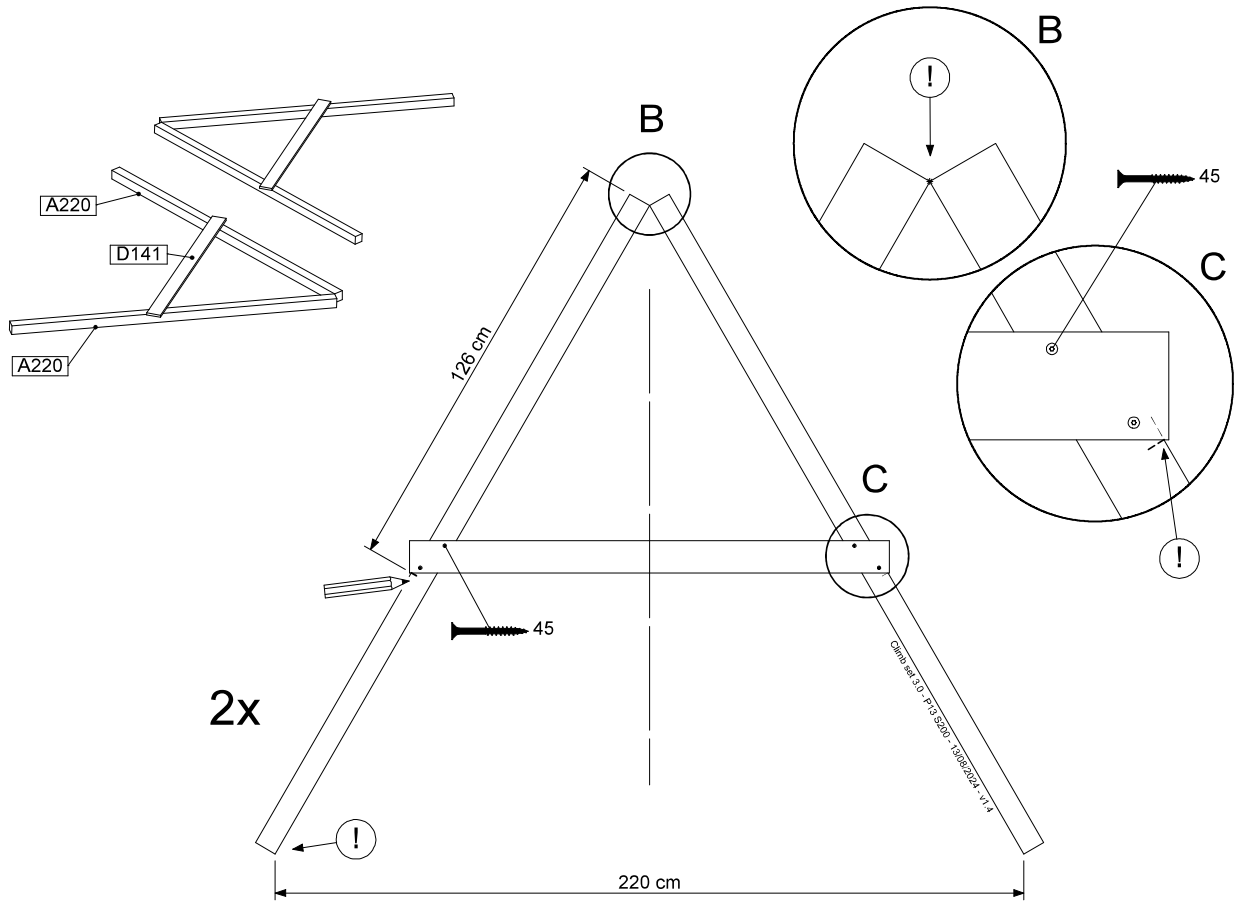
Climb set 3.0 - P04\_2C200 - 13/08/2024 - v1.4

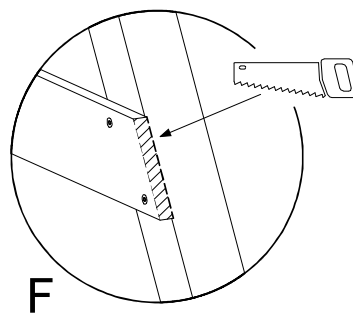
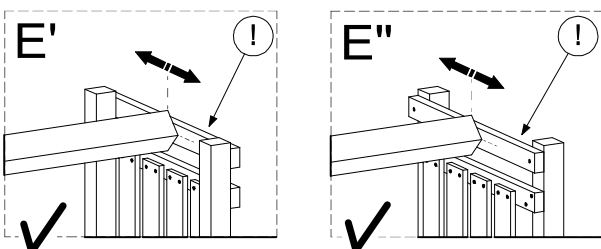
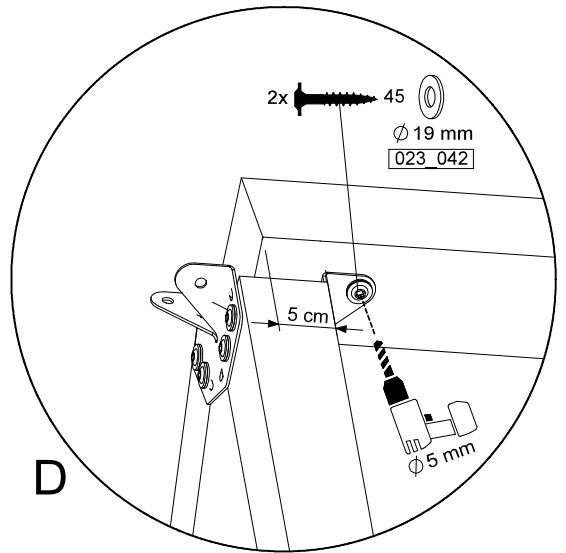
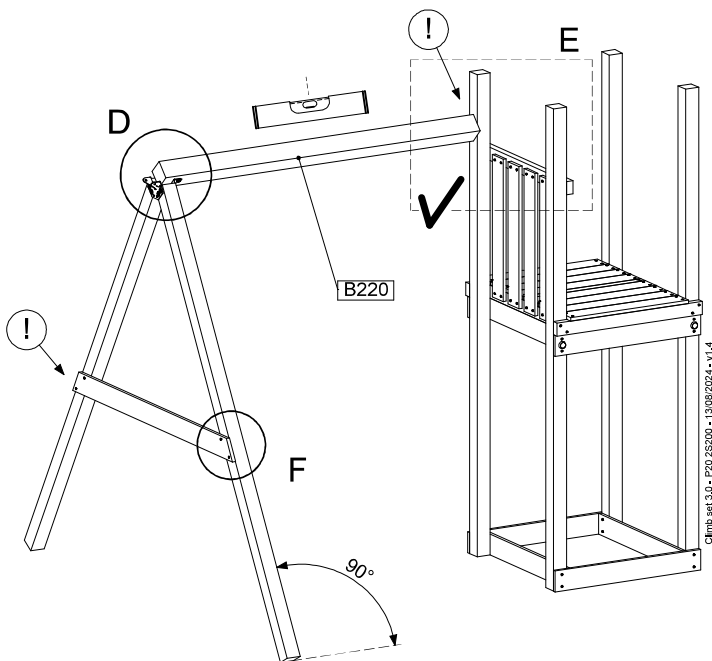
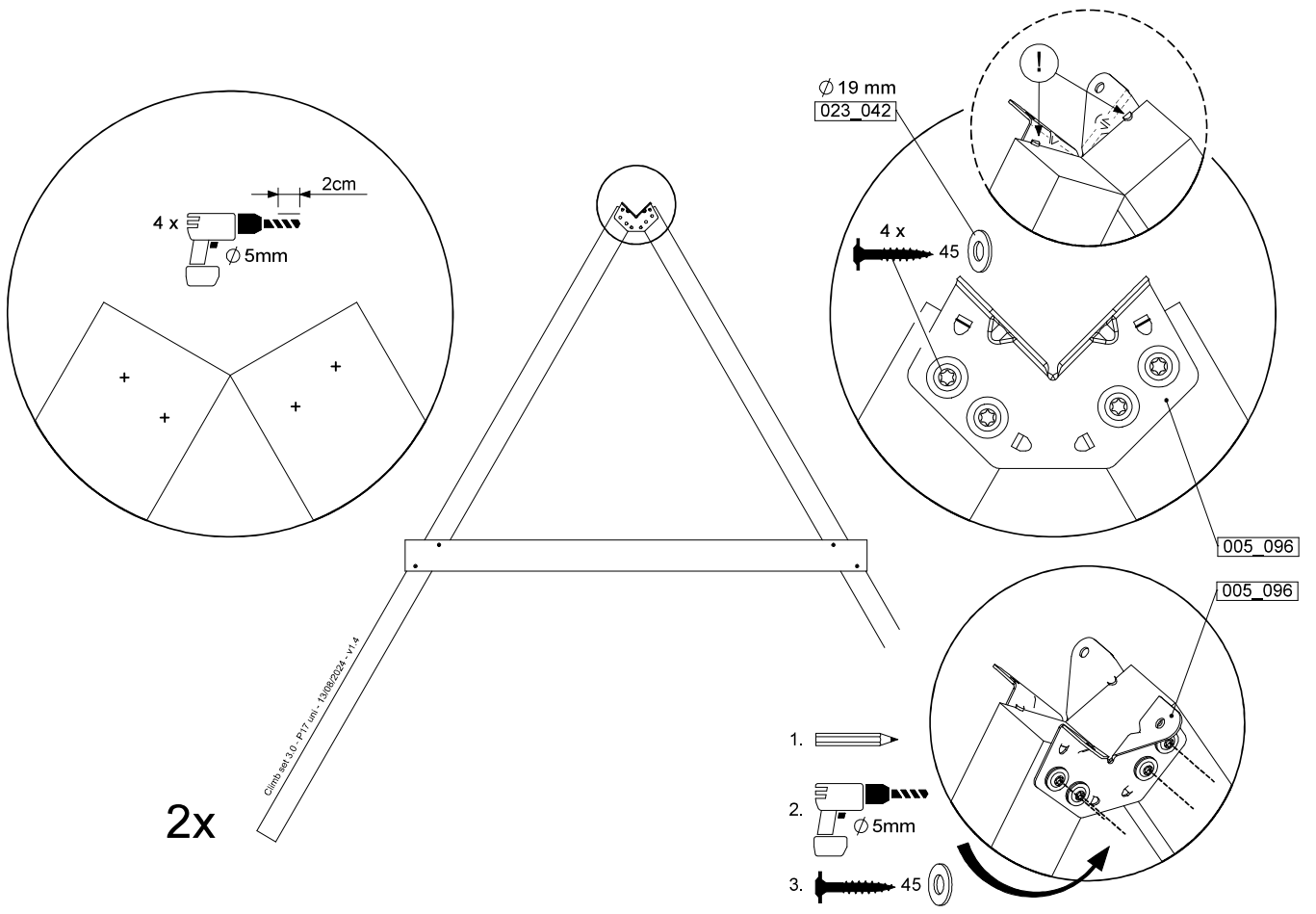


14.1



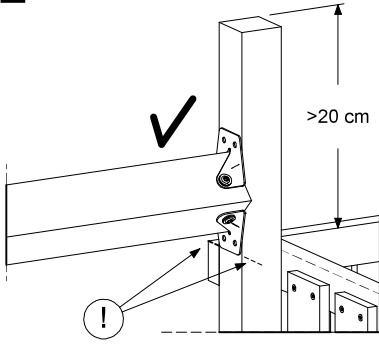
Climb set 3.0 - P11 C200 - 13/08/2024 - v1.4



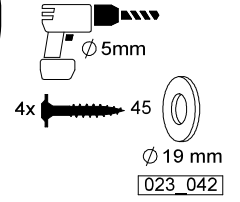
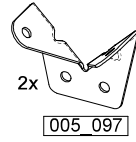
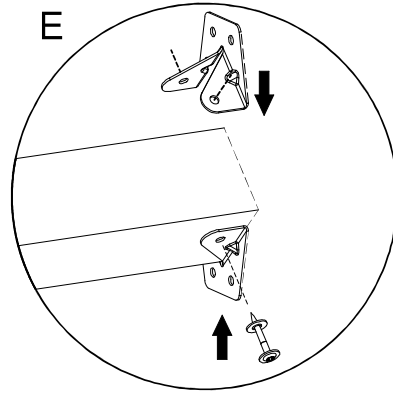


14.4

E

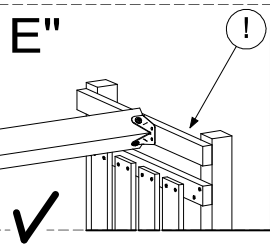
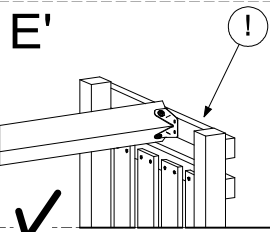
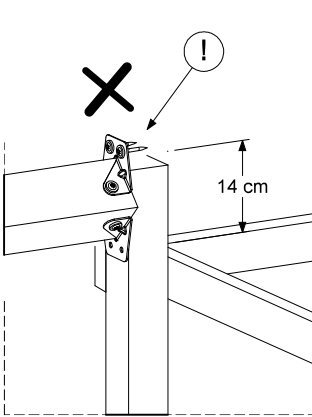


E

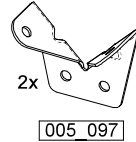
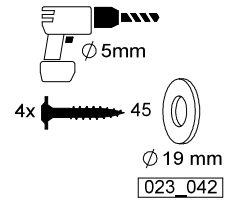
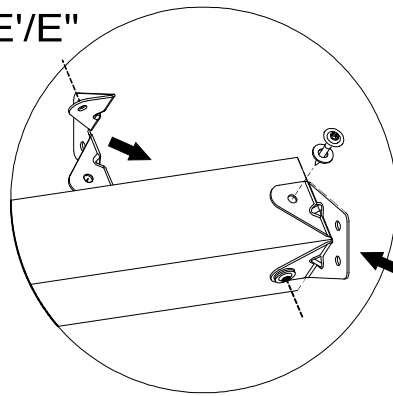


Climb set 3,0 - P22 uni - 13/08/2024 - v1,4

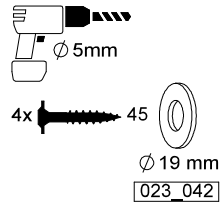
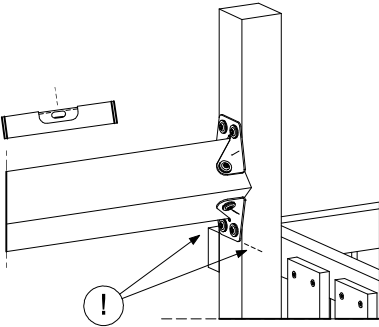
E'/E''



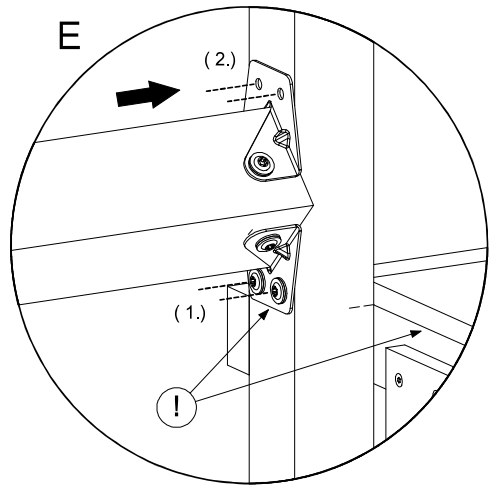
E'/E''



E

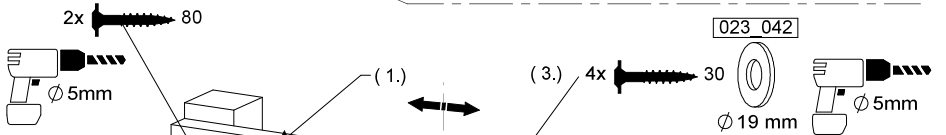
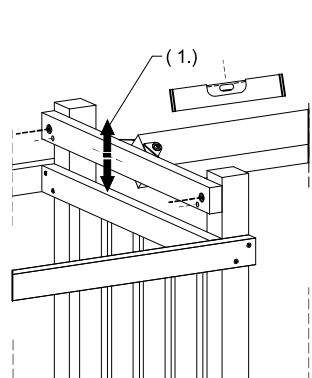


E



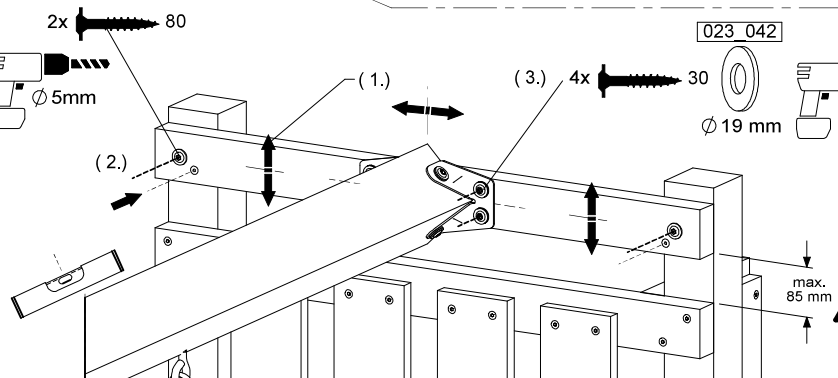
Climb set 3,0 - P23 uni - 13/08/2024 - v1,4

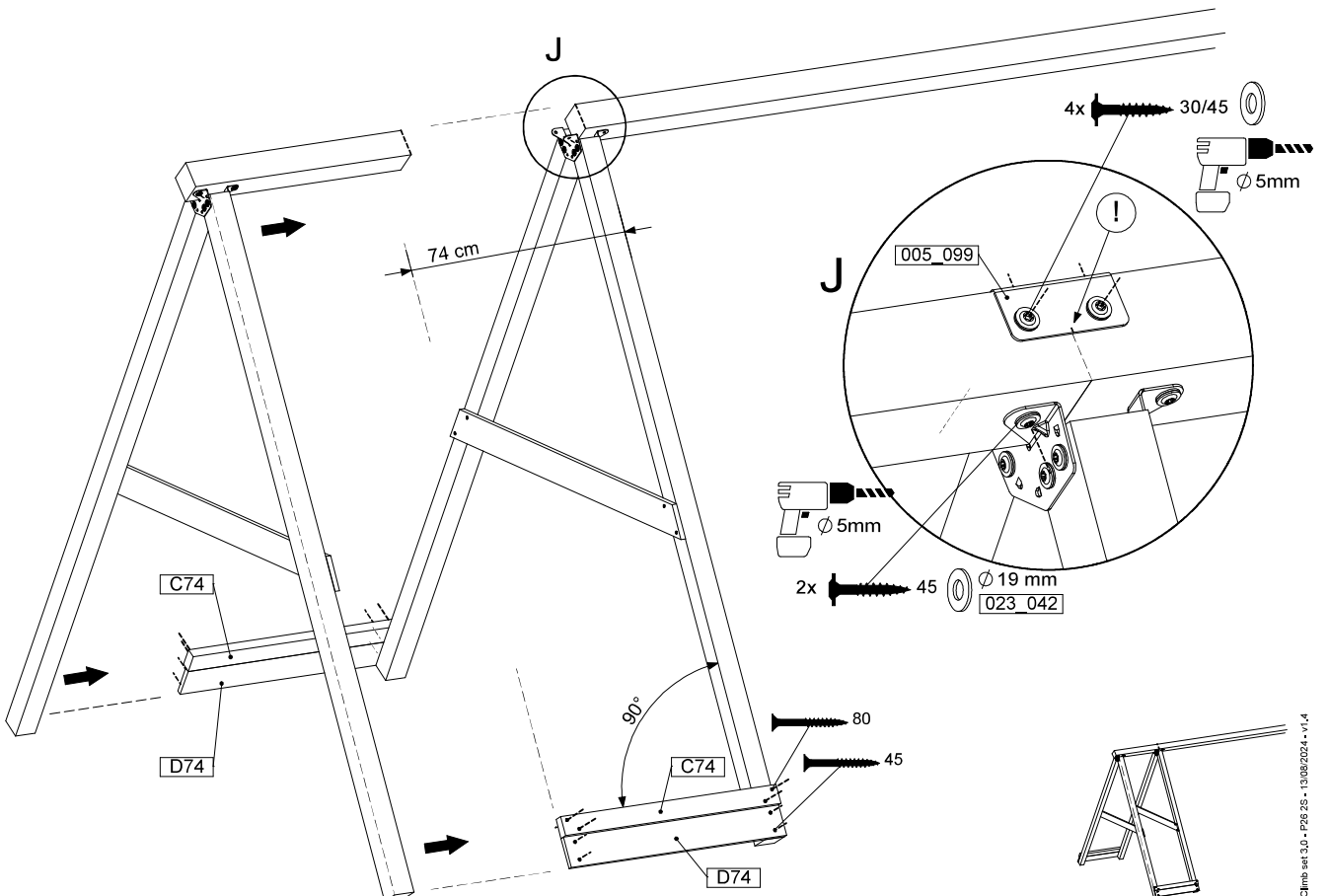
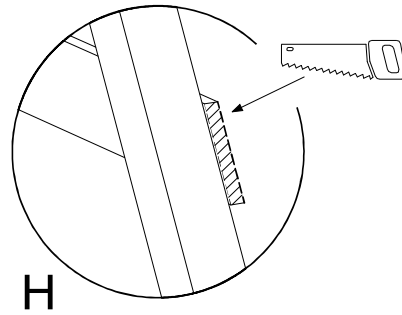
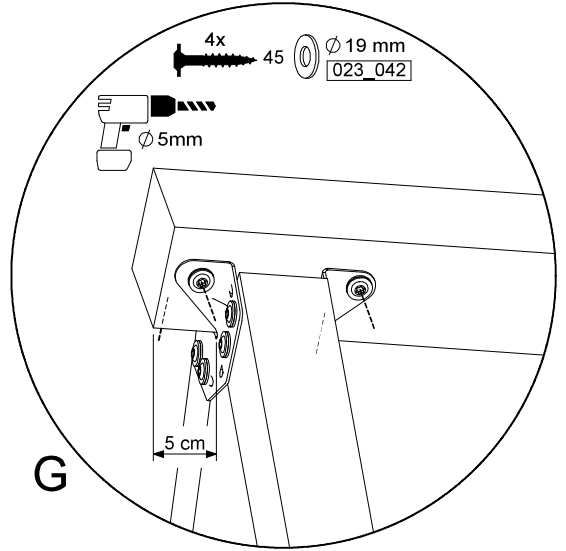
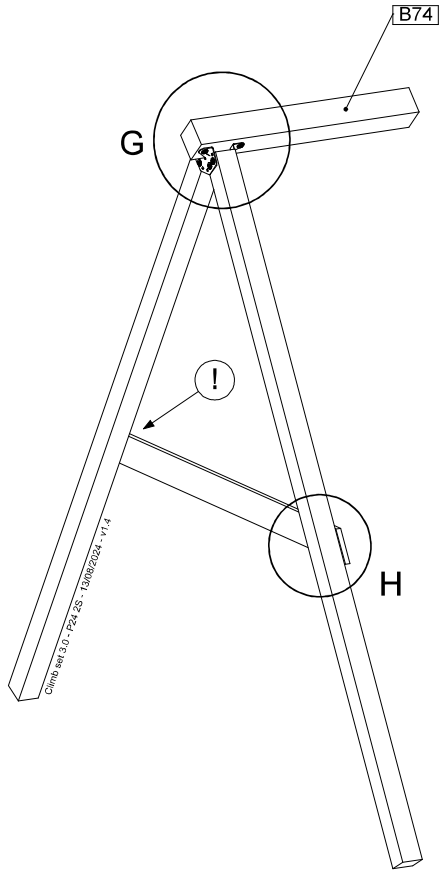
E'/E''



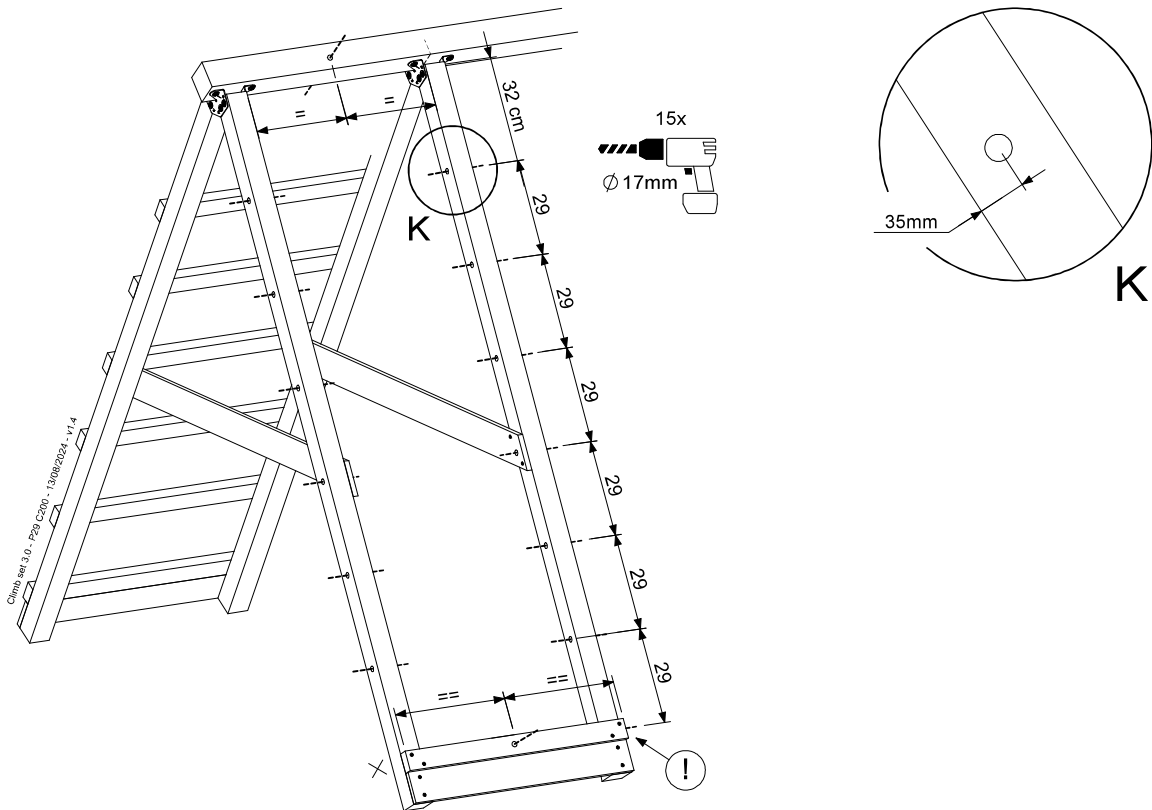
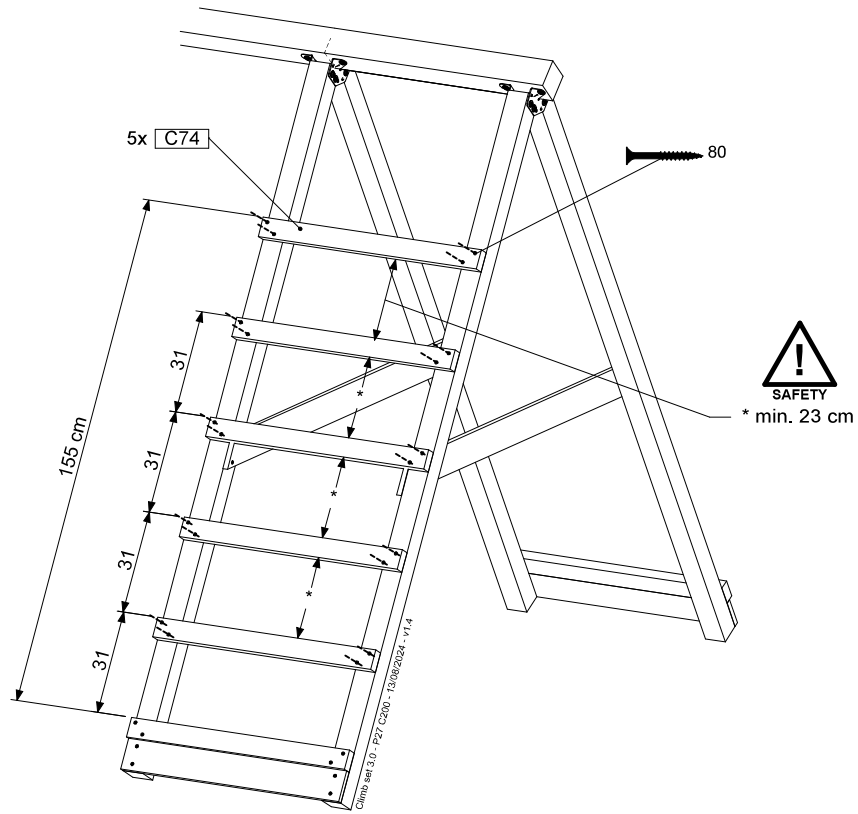
E'

(E'')

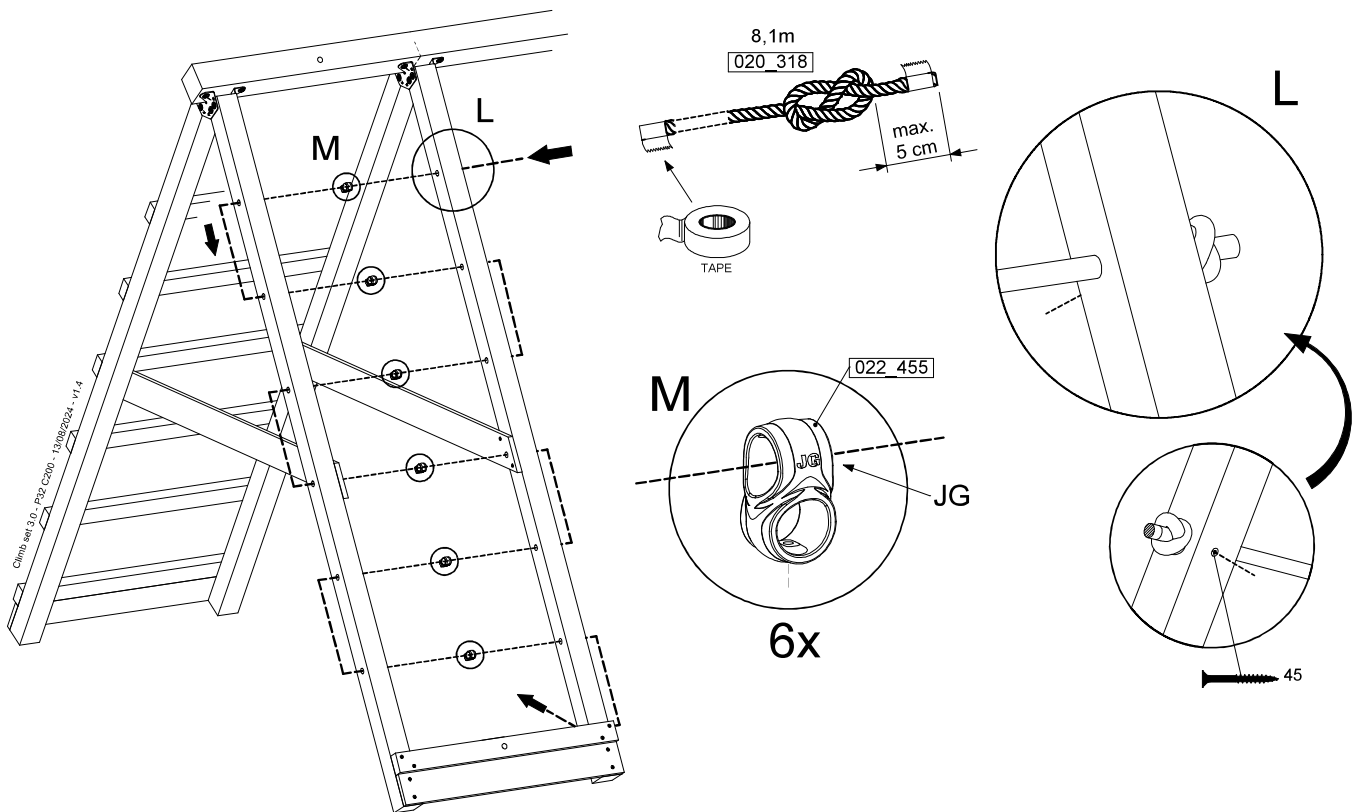
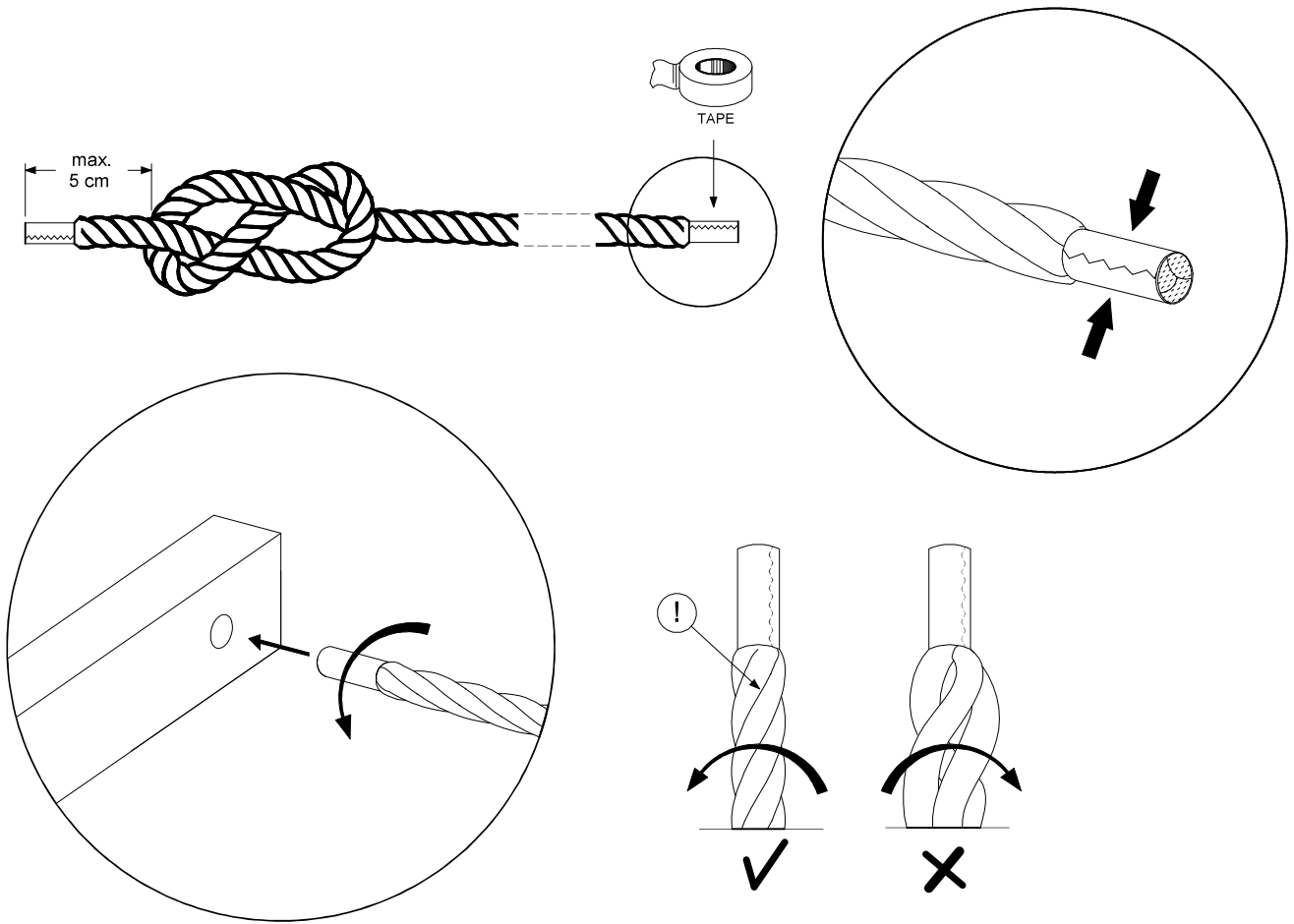


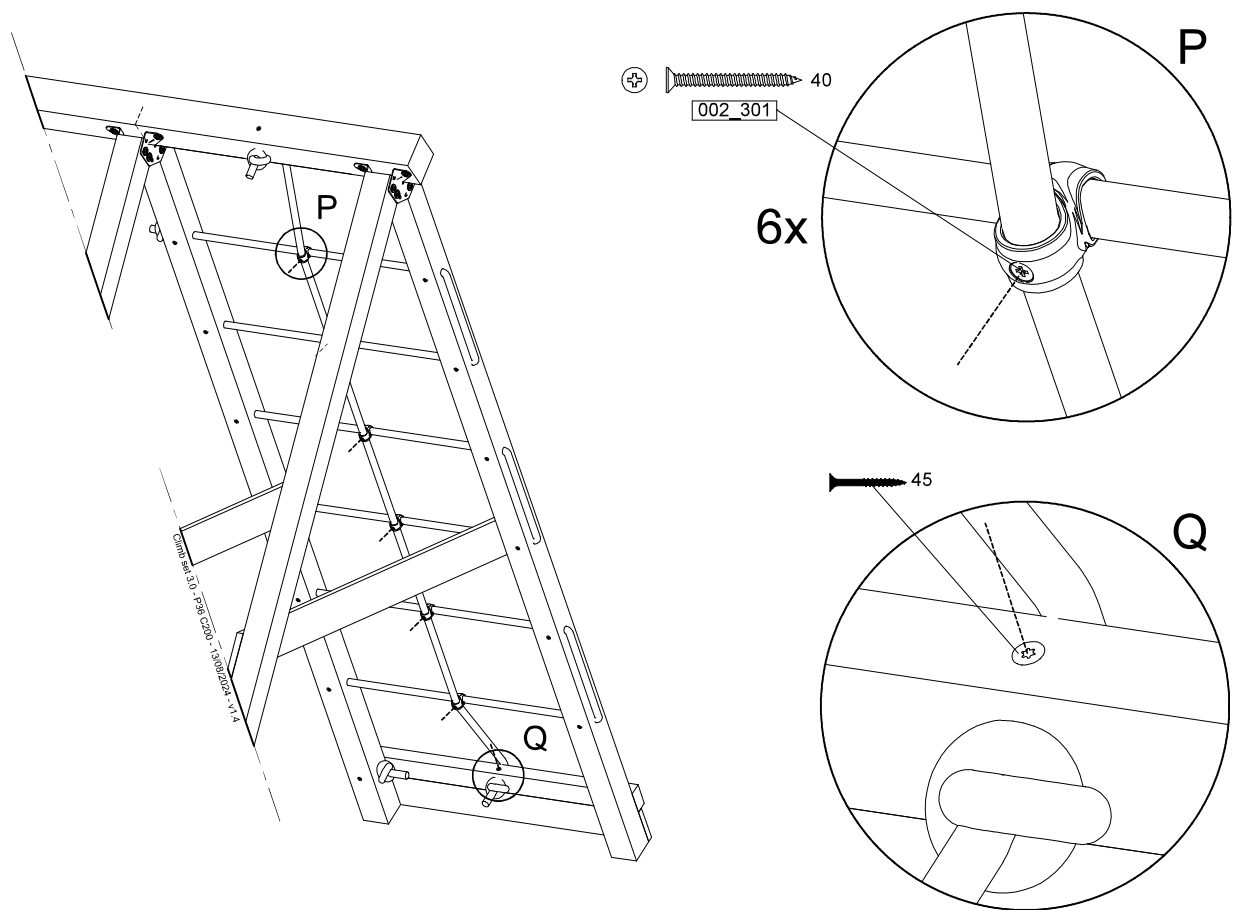
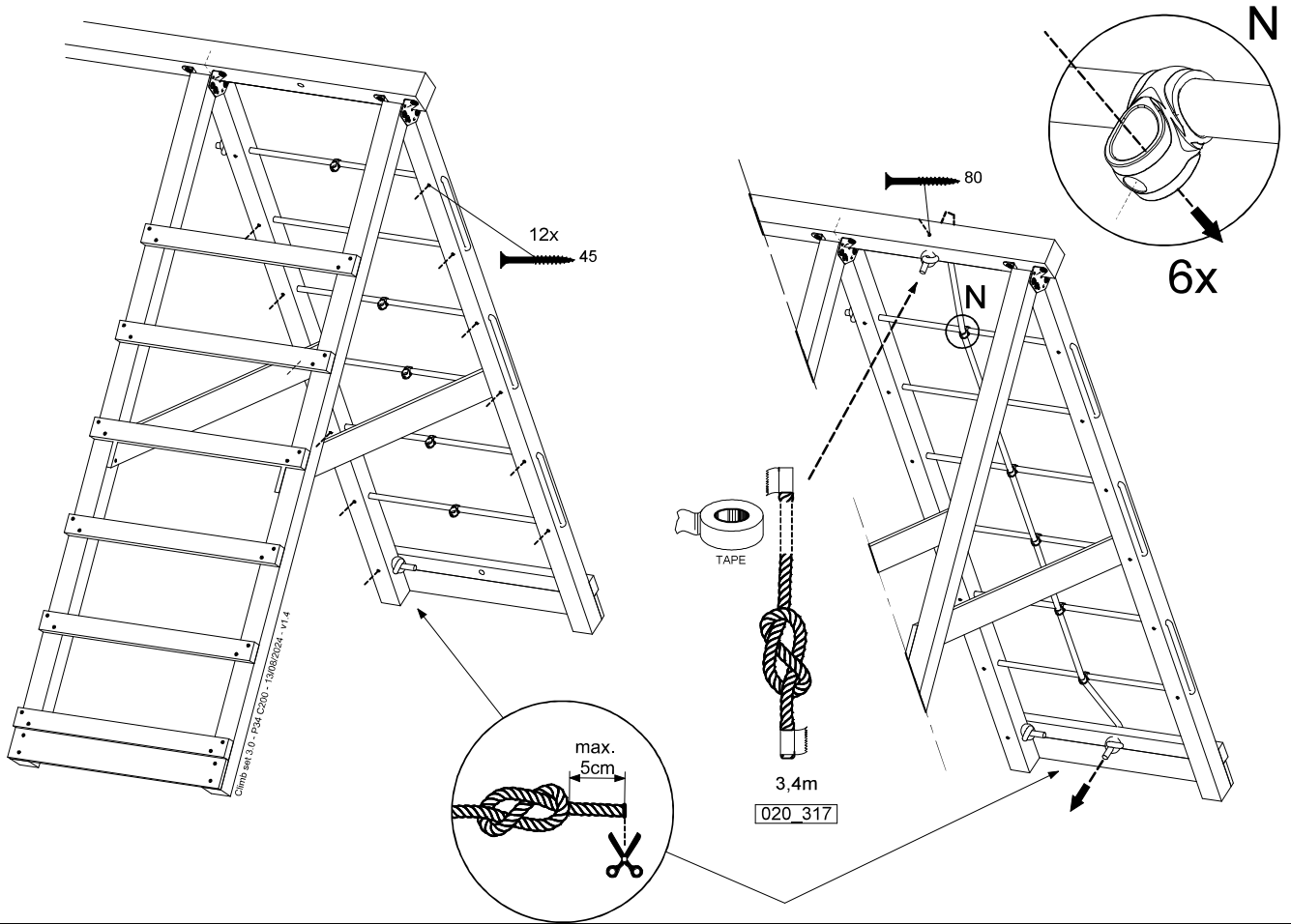


# 14.6

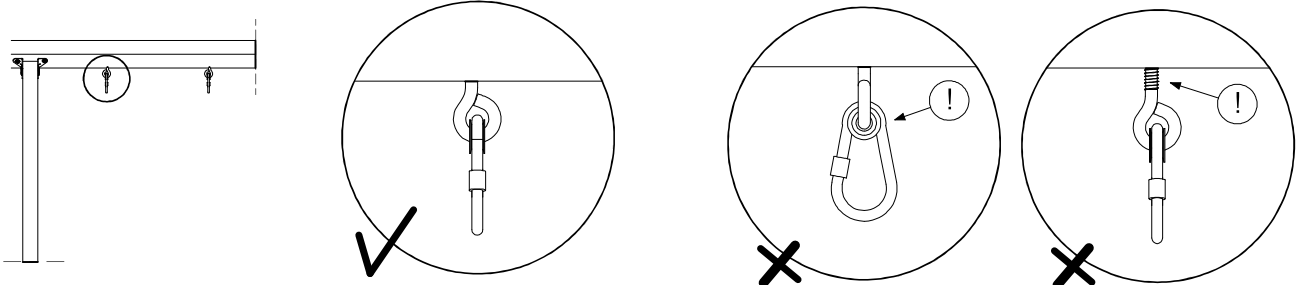
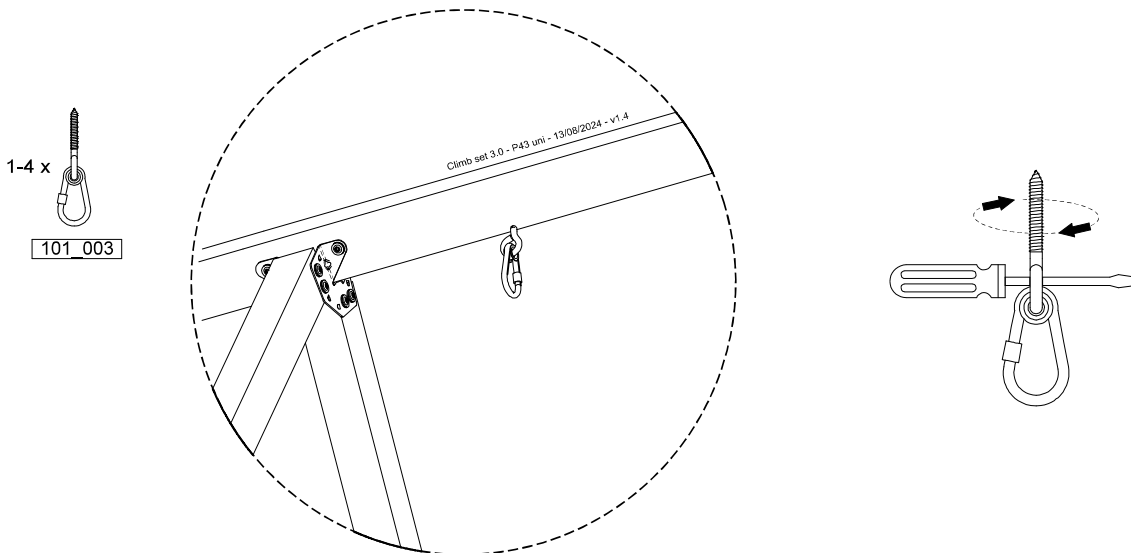
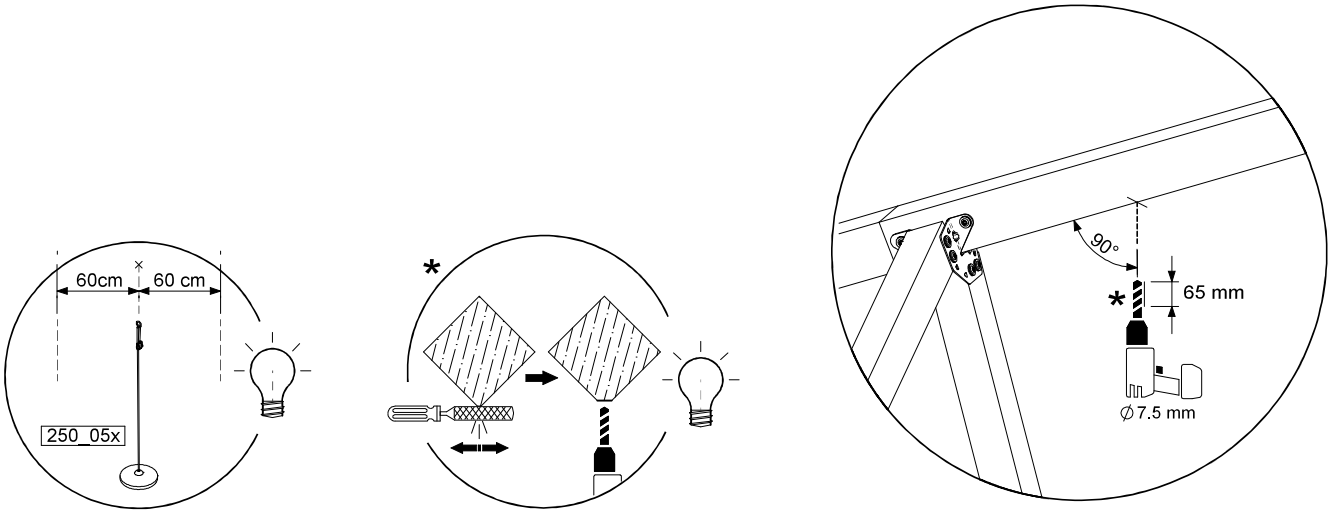
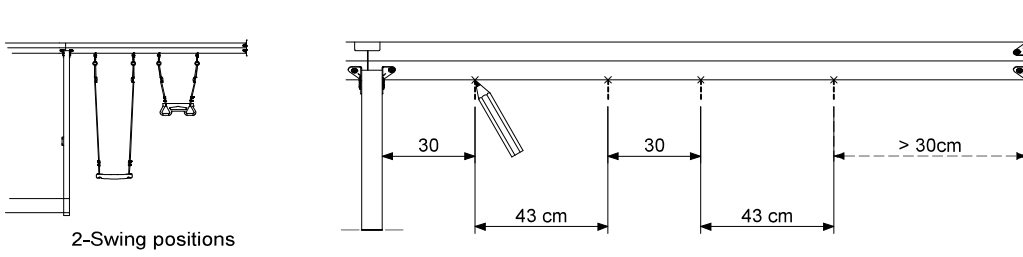


# 14.7

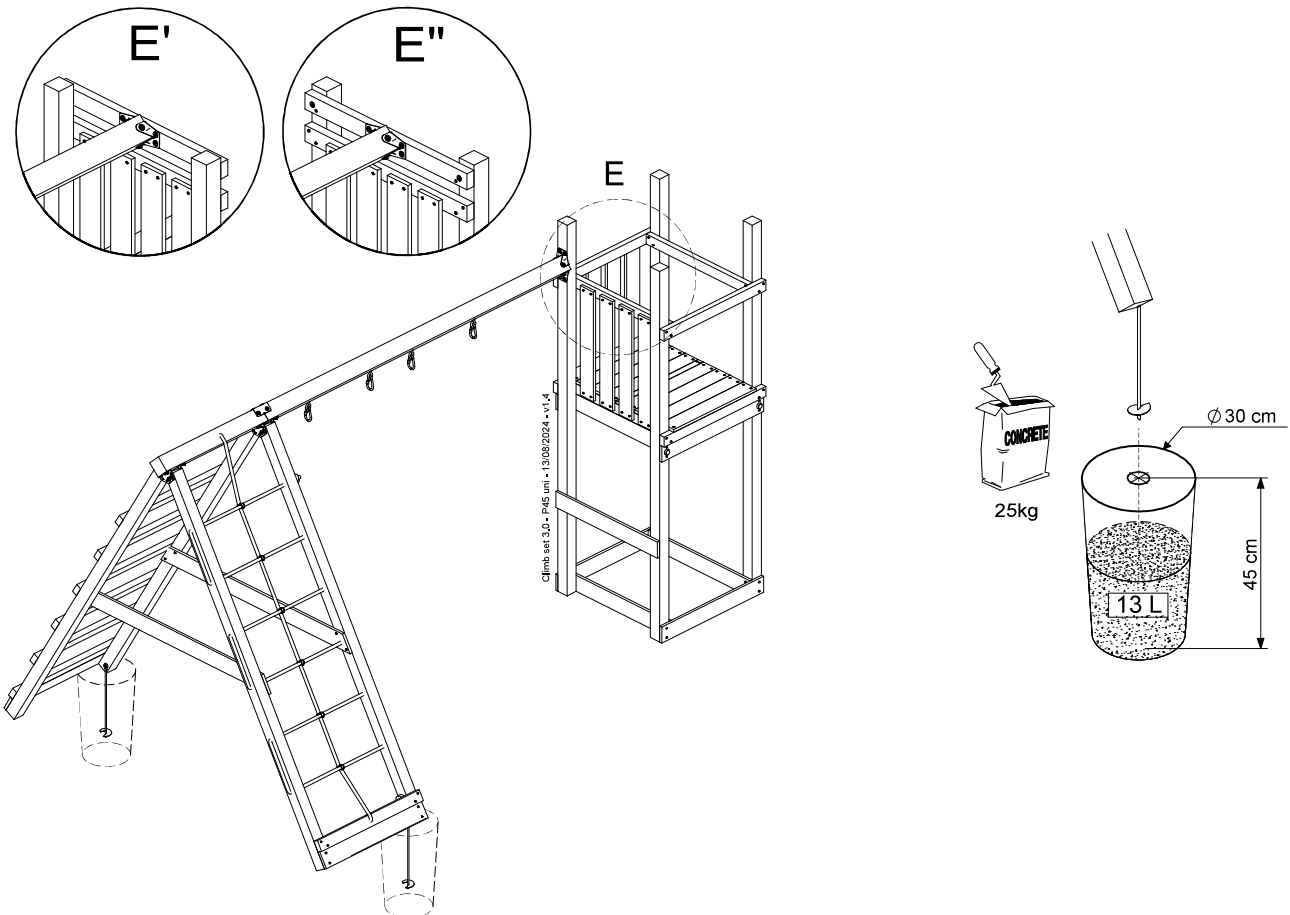
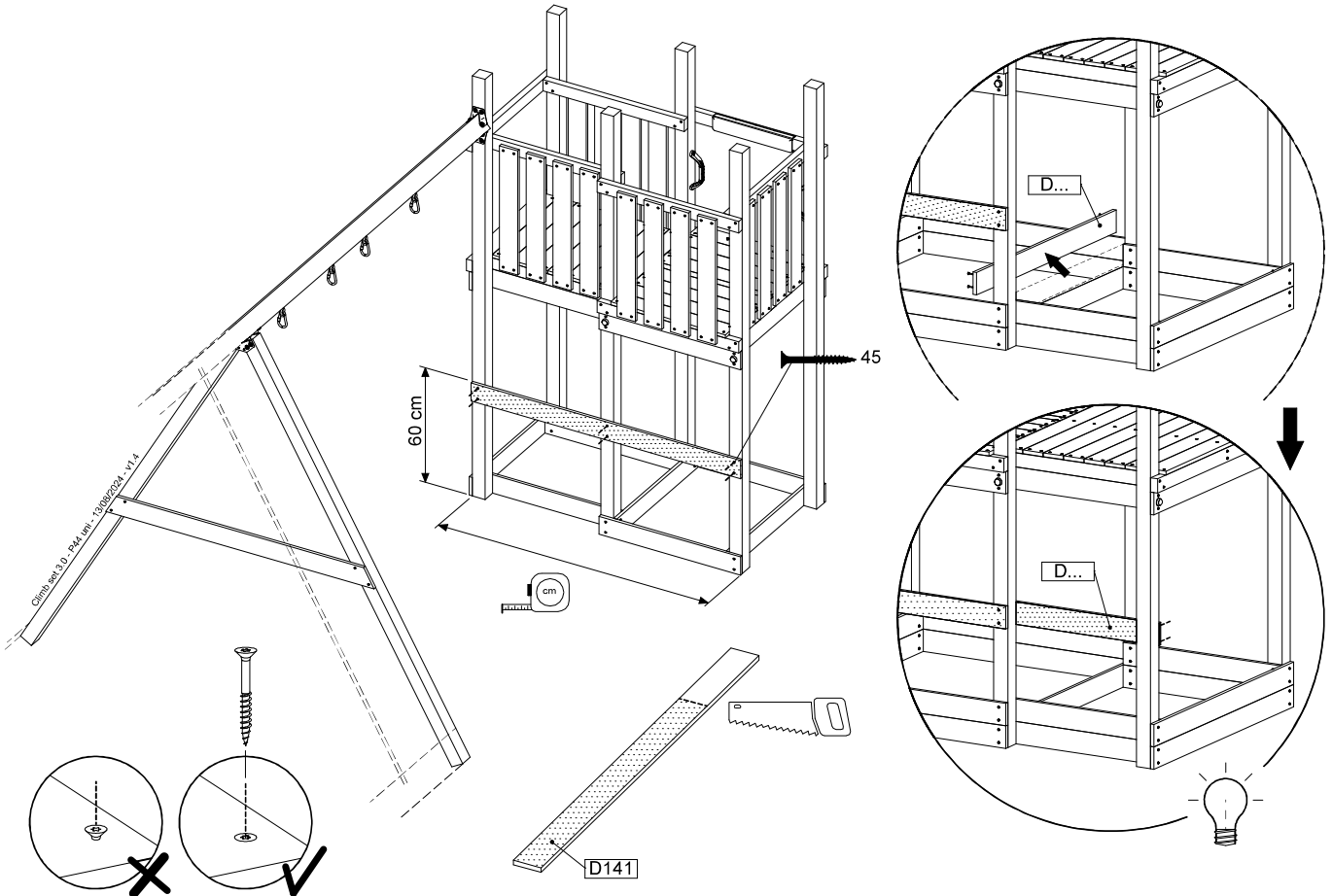




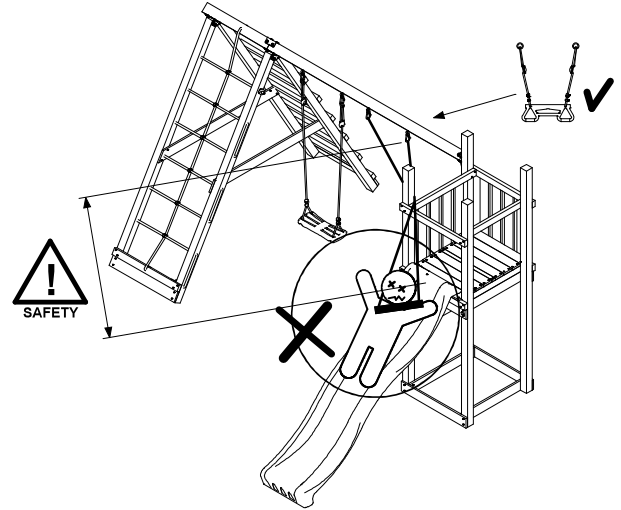
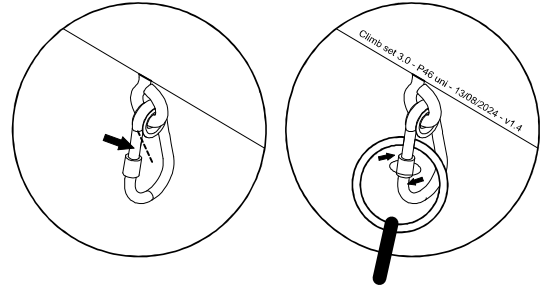
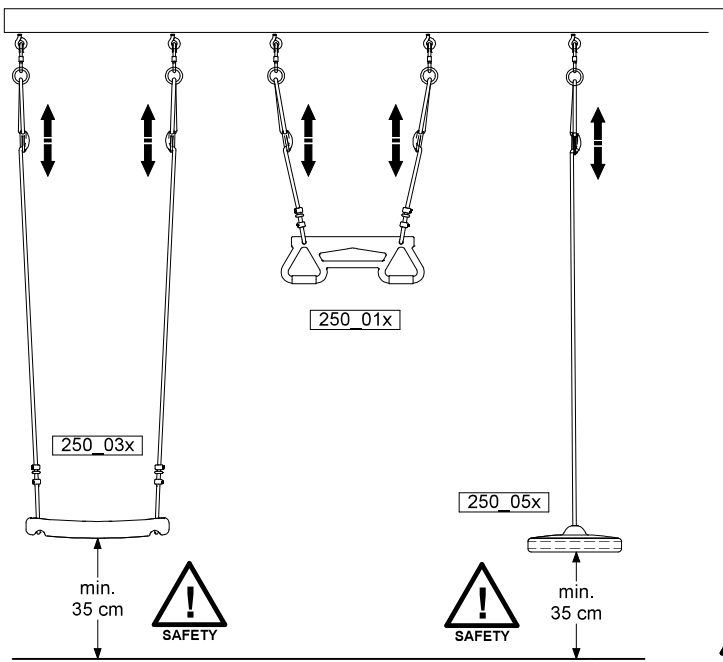
# 14.9



14.10



14.11

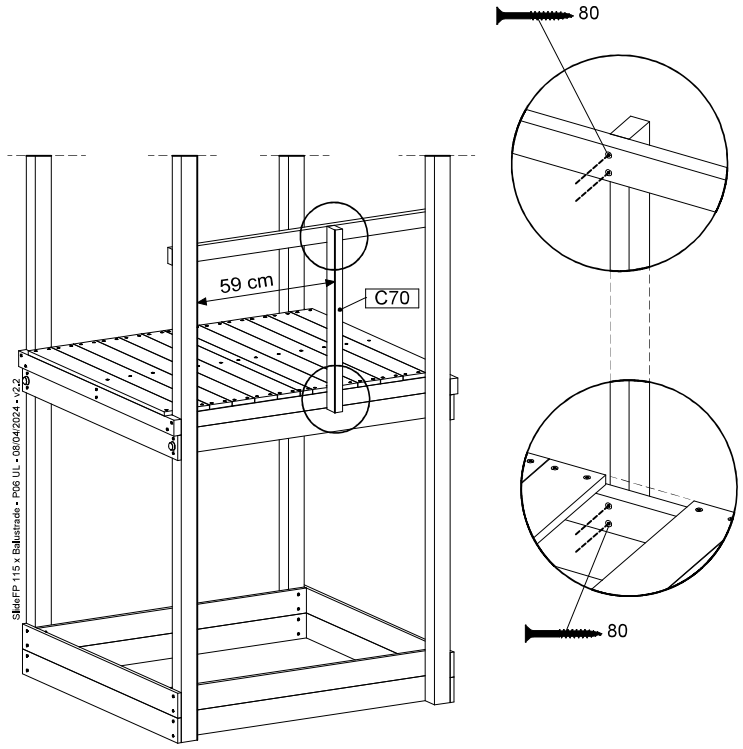
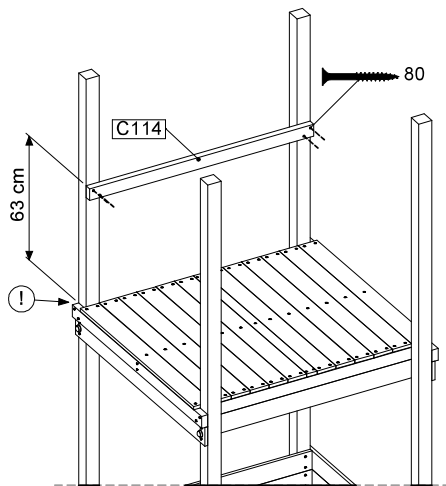
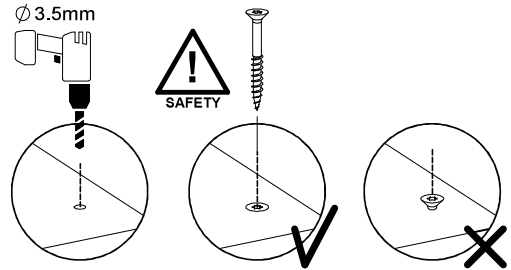
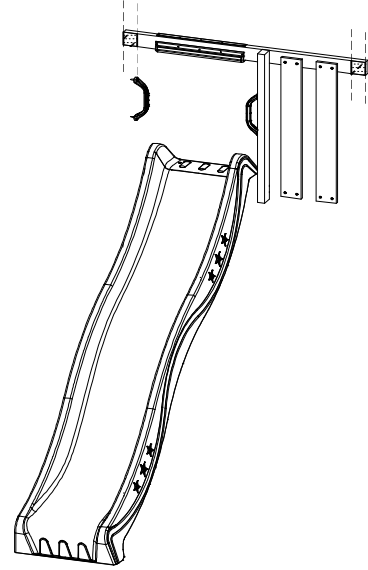


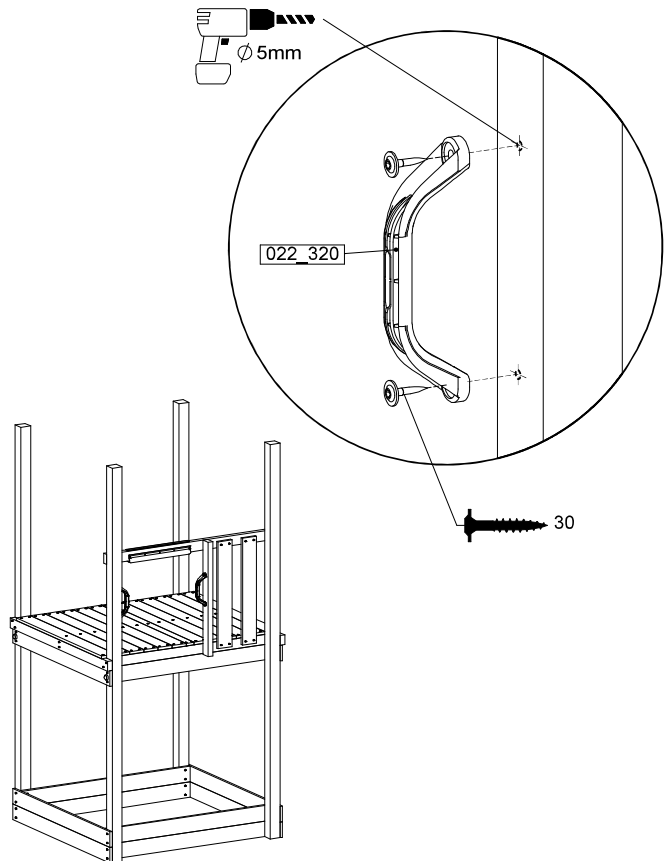
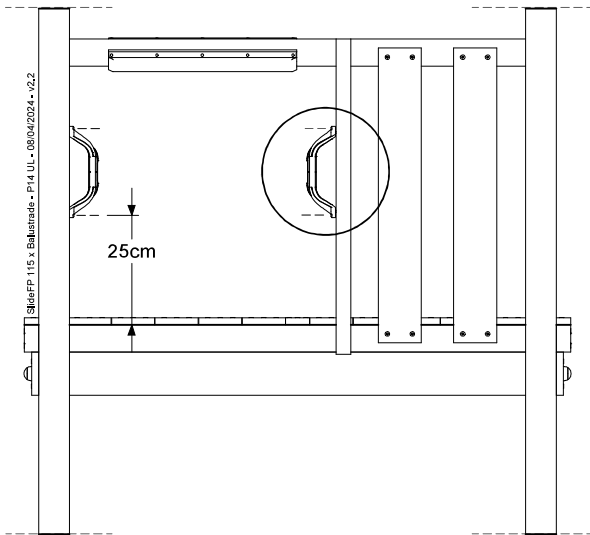
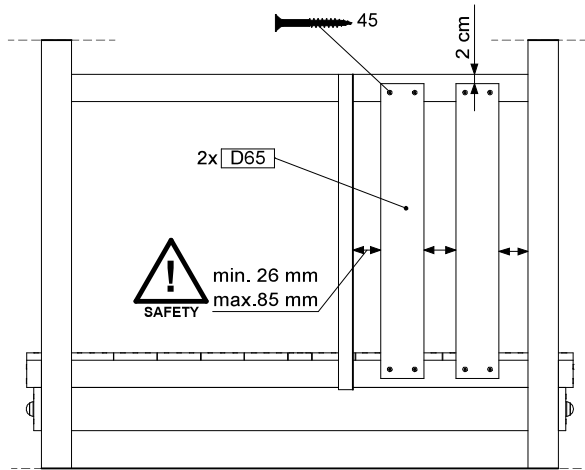
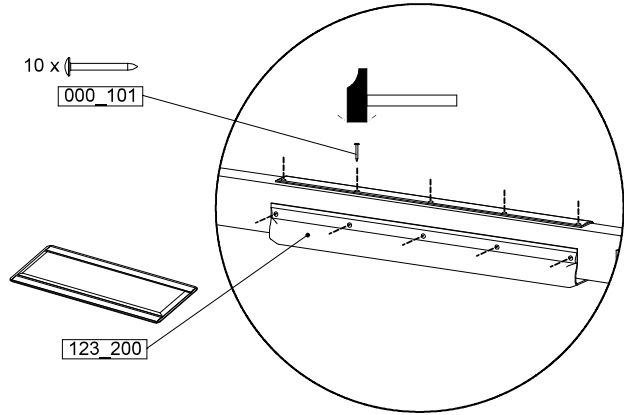
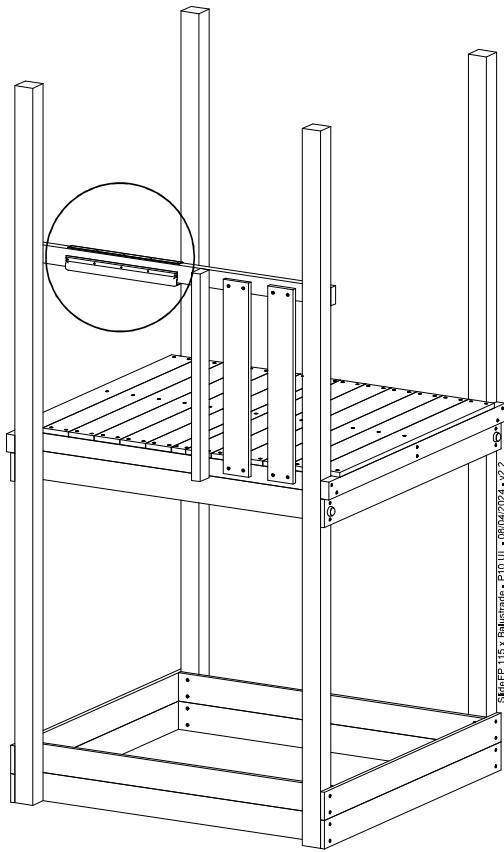
# 15 SL06a: Slide 115 125 U Left

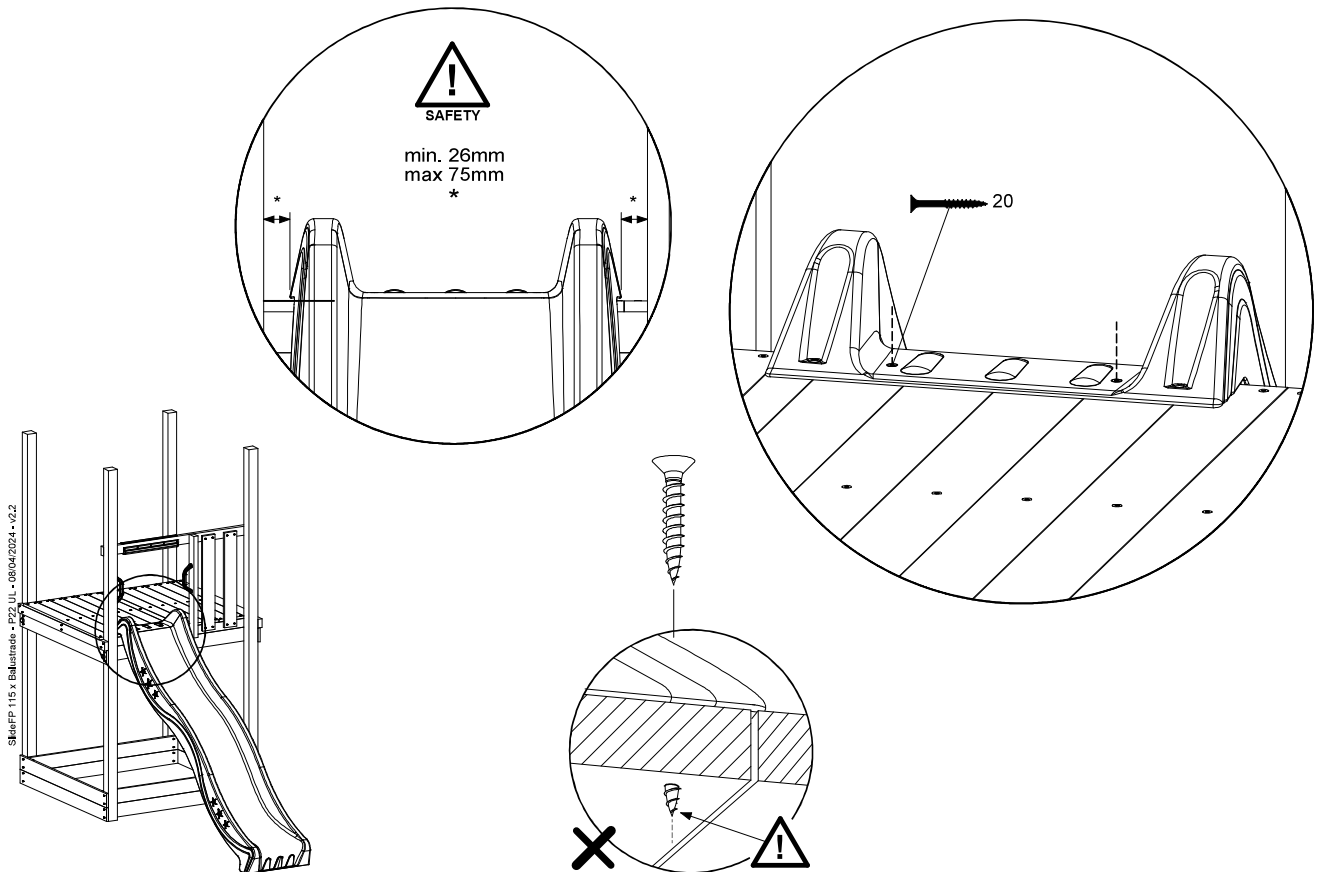
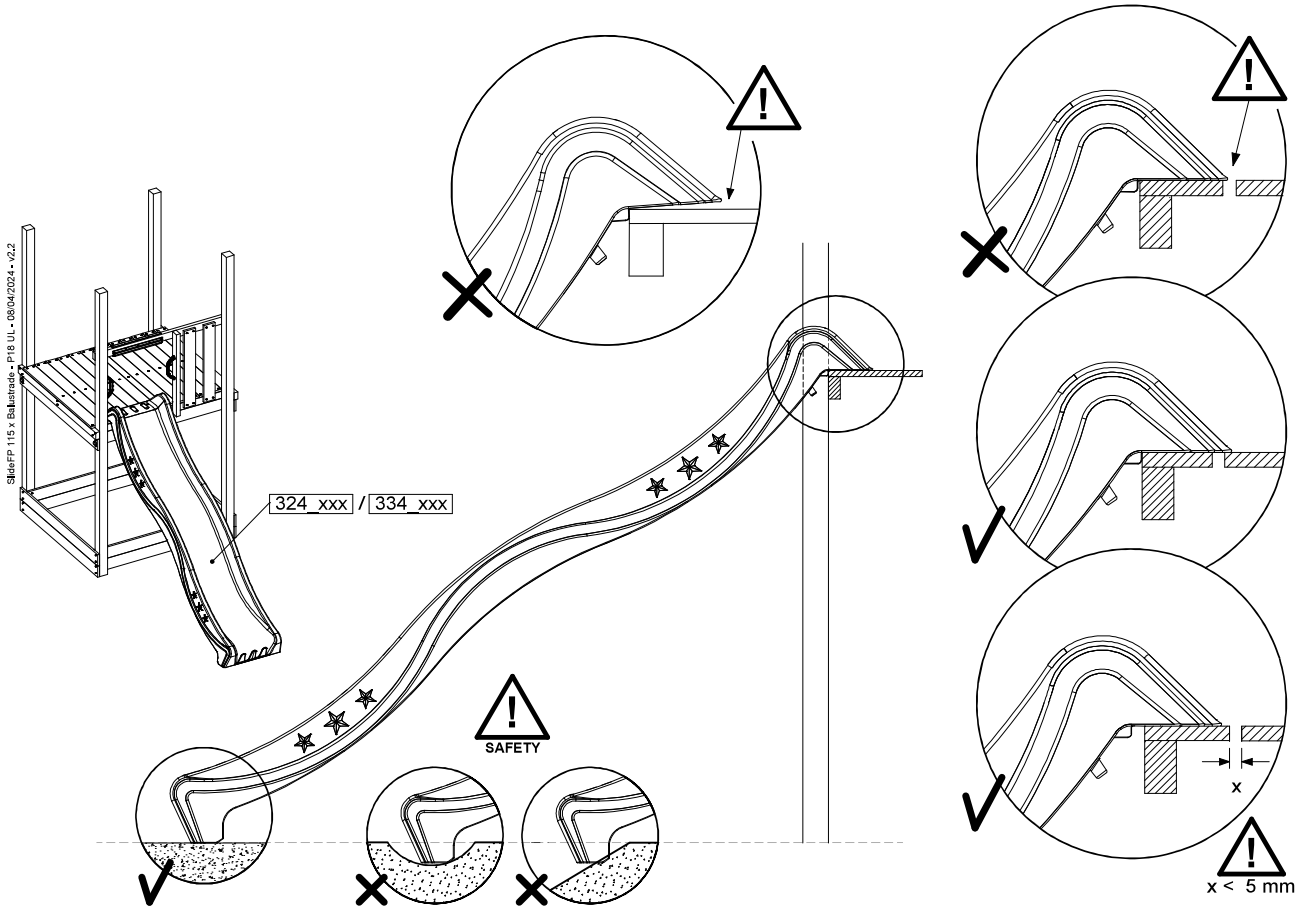
Assembly Packs: 194\_107 + 194\_101

	PartNo	PartName	QTY.
Hardware + Parts	000_101	Nail Pan Head	10
	002_220	Gap Point Screw T25 - 5x45	8
	002_223	Gap Point Screw T25 - 5x80	8
	002_308	Gap Point Screw T25 - 5x20	2
	120_102	Handgrip set (complete 2x)	1
	123_200	Bumperpad	1
	324_xxx 334_xxx	Wavy Star Slide XL 2200 mm / Wavy Star Slide XXL 2650 mm	1
Timber	C114	Beam 1140 mm	1
	C70	Beam 700 mm	1
	D65	Board 650 mm	2

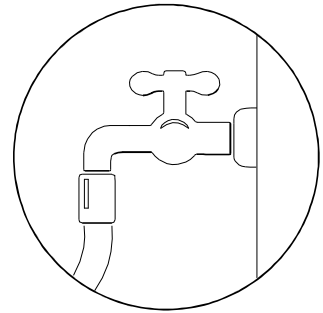
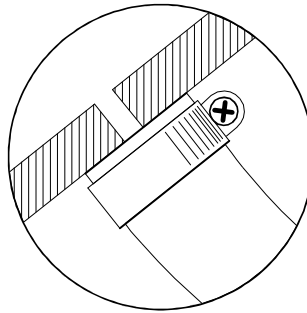
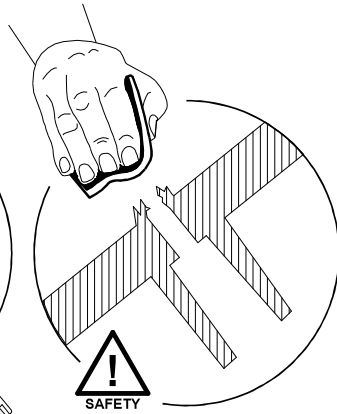
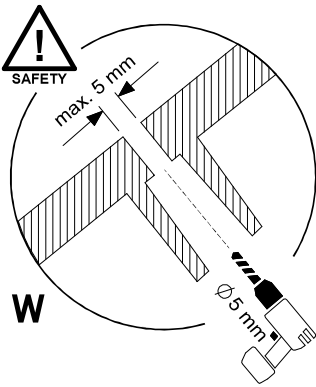
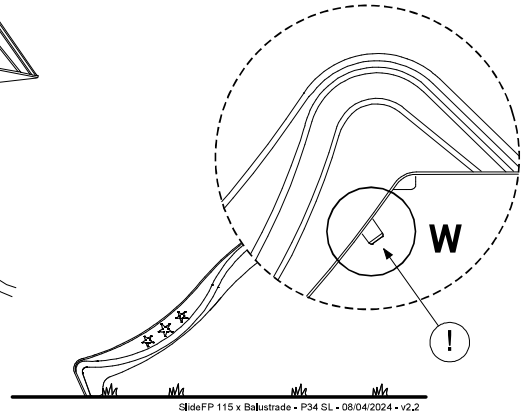
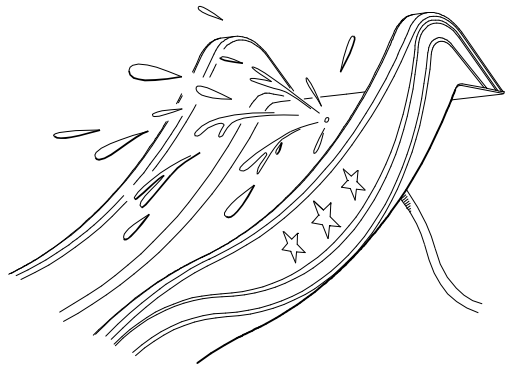
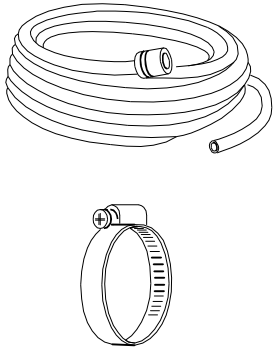
SlideFP 115 x Balustrade - P06 UL - 08/04/2024 - v2.2







# 15.3

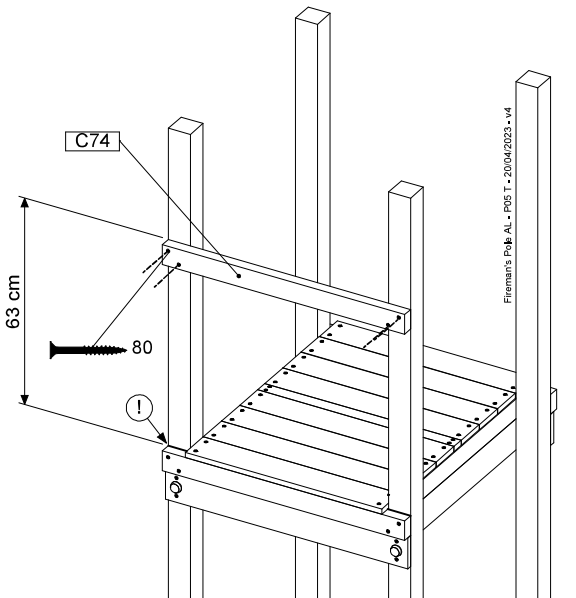
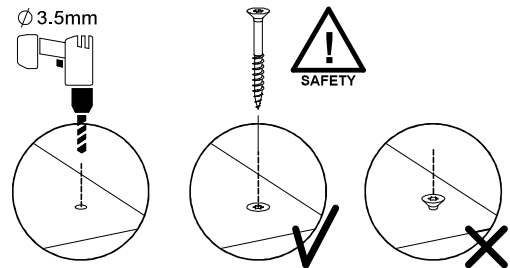
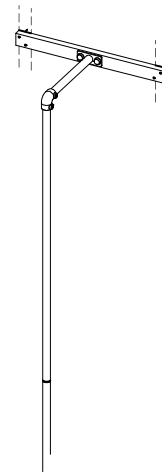


# 16 FP02a: Fireman's pole 80 T

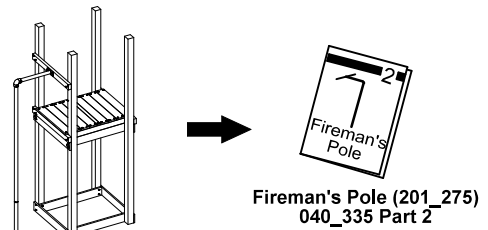
(201\_275)

	PartNo	PartName	QTY.
Kit	201_275	Fireman's Pole kit (incl. 4x Screw T25 5x80)	1
Timber	C74	Beam 740 mm	1

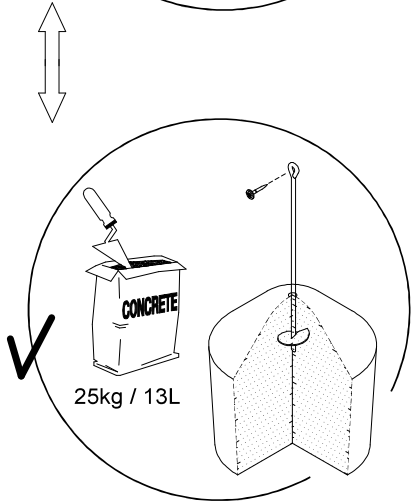
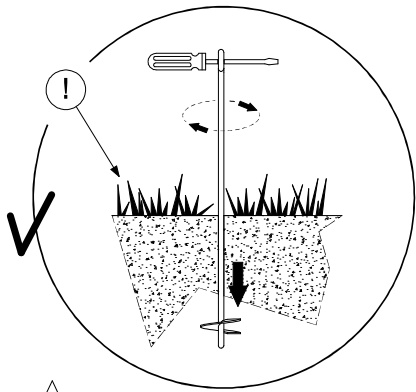
Fireman's Pole AL - P03 T - 20/04/2023 - v4



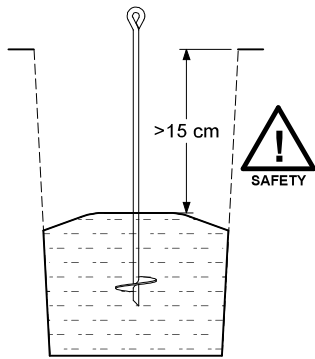
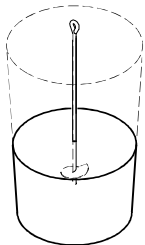
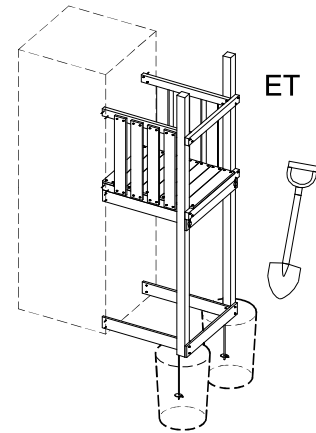
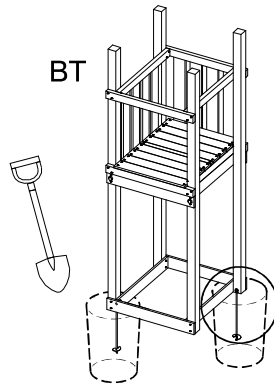
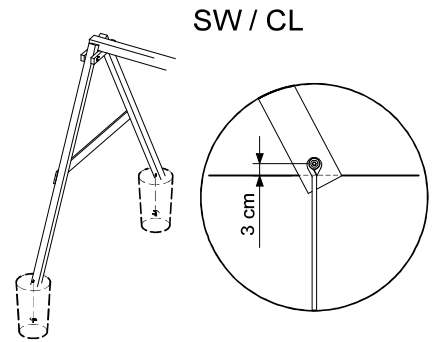
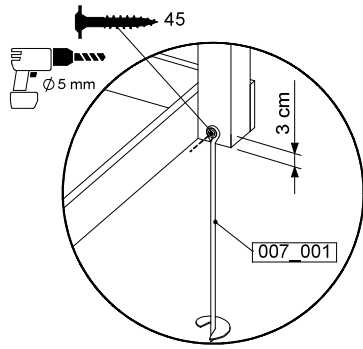
Fireman's Pole AL - P05 T - 20/04/2023 - v4



# 17 GA: Ground Anchors



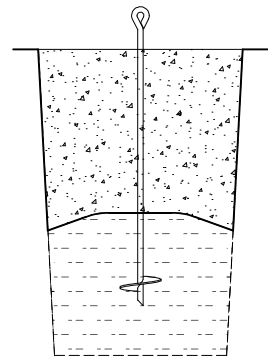
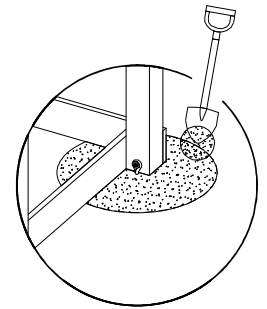
Ground Anchors Uhl. - PD3 - 14/06/2024 - v1.5



1.



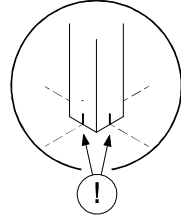
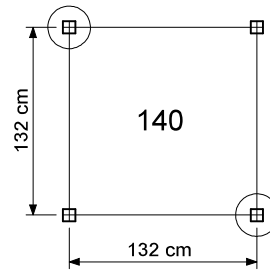
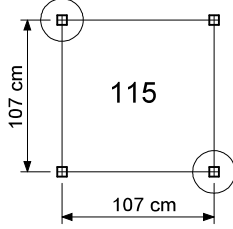
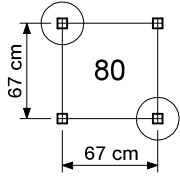
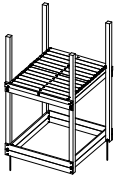
2.



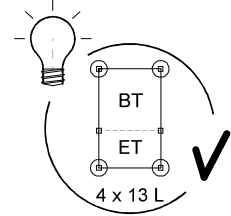
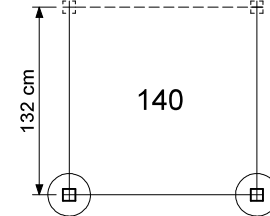
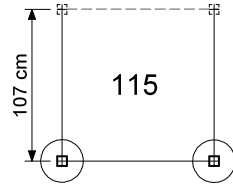
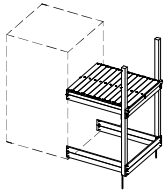
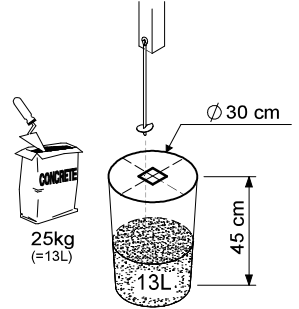
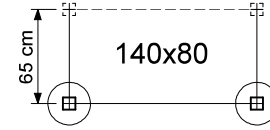
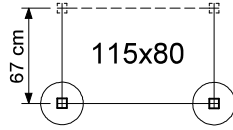
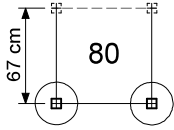
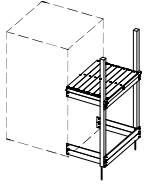
3.

Ground Anchors Uhl. - PD4 - 14/06/2024 - v1.5

BASE TOWERS

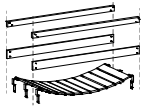


EXTENSION TOWERS

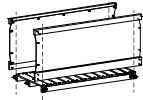


Ground Anchors Uni. - P01 - 14/06/2024 - v1.5

BRIDGES



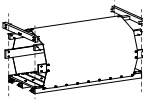
CLATTER



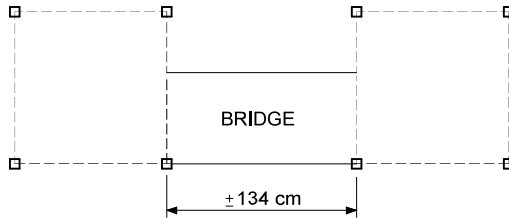
BOARDWALK



NET



TUNNEL

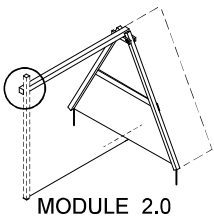


BRIDGE

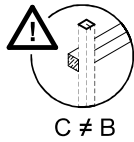
± 134 cm

Ground Anchors Uni. - P02 - 14/06/2024 - v1.5

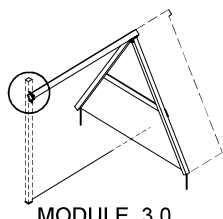
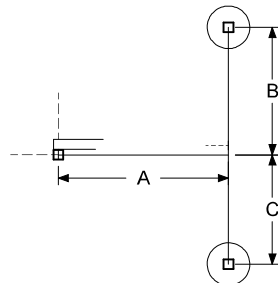
SWING / CLIMB



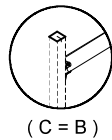
MODULE 2.0



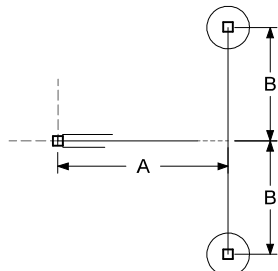
C ≠ B



MODULE 3.0



(C = B)



MODULE 2.0	Module type	A	B	C
	1-Swing 200	150	115	100
	1-Swing 220 (Extra)		120	105
	1-Climb 200	142	115	100
	2-Climb 200	210		
	2-Swing 200			
	1-Climb 220 (Extra)	162	120	105
	2-Climb 220 (Extra)	230		
	2-Swing 220 (Extra)			

cm

MODULE 3.0	Module type	A	B
	1-Swing 200 - 3.0	155	110
	1-Swing 220 (Extra) - 3.0		115
	1-Climb 200 - 3.0	148	110
	2-Climb 200 - 3.0	222	
	2-Swing 200 - 3.0	215	
	1-Climb 220 (Extra) - 3.0	170	115
	2-Climb 220 (Extra) - 3.0	242	
2-Swing 220 (Extra) - 3.0	235		

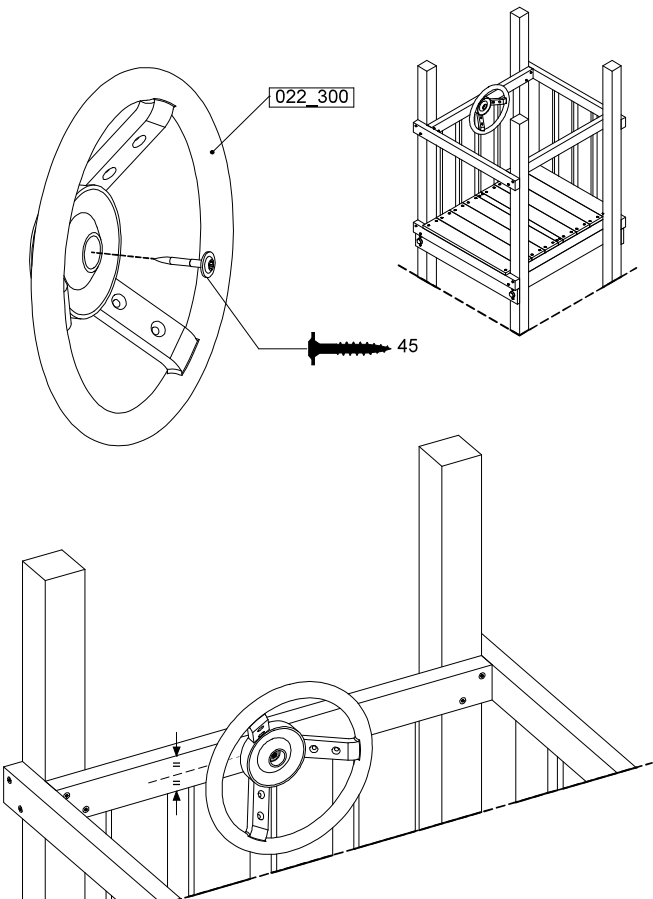
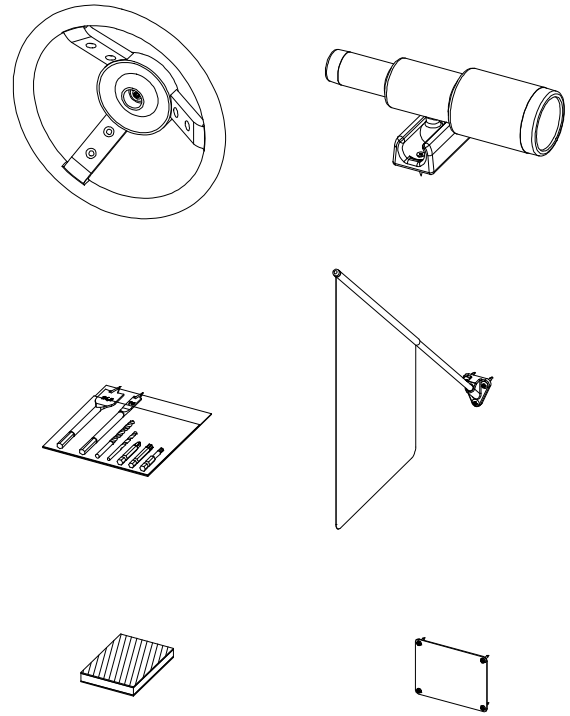
cm

# 18 AC01a: Accessories

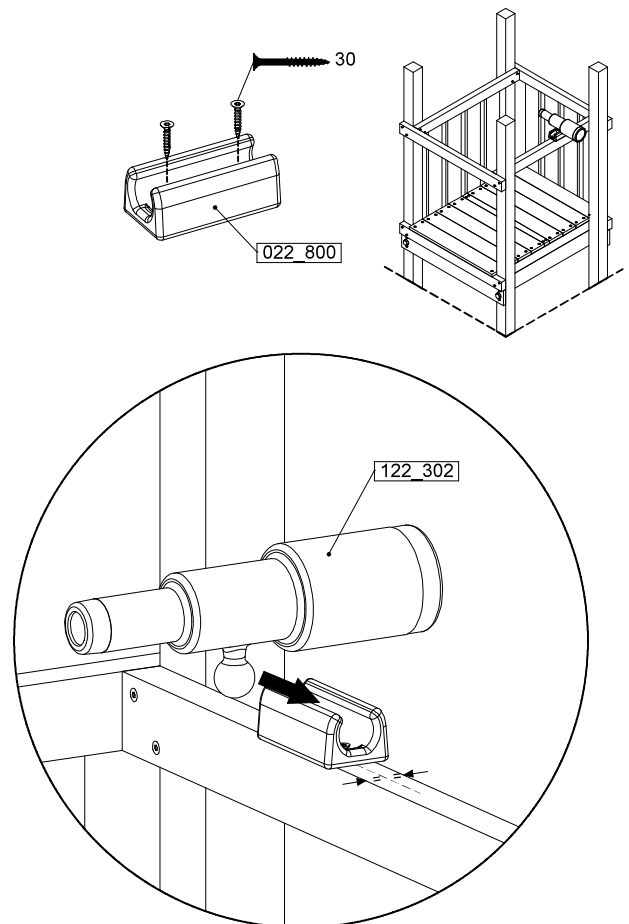
(194\_119)

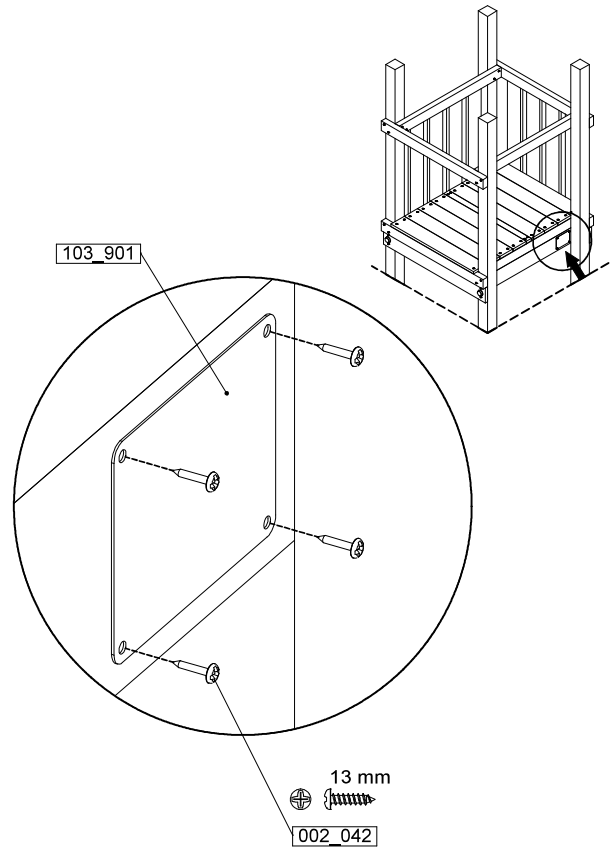
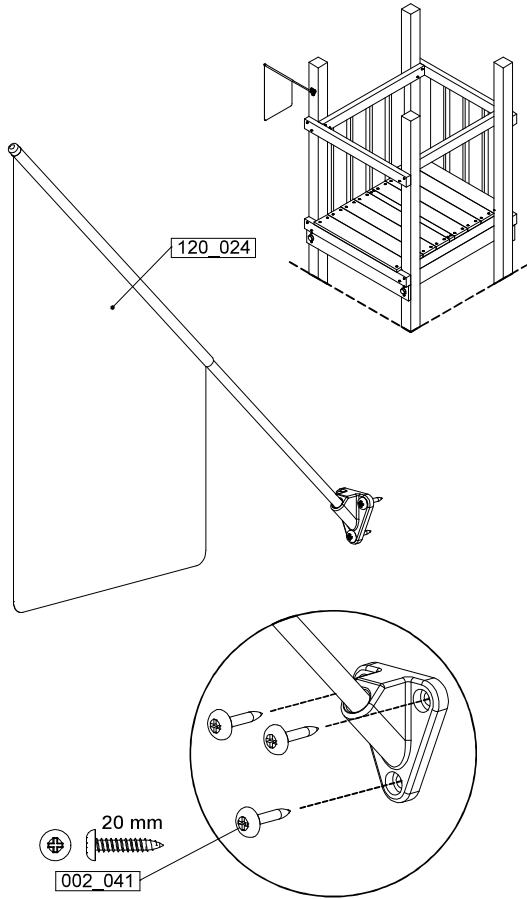
	PartNo	PartName	QTY.
Hardware Pack 100_617	001_406	Stealth Screw 8x45	1
	002_041	Dome head screw 4.5 x 20 mm	3
	002_042	Dome head screw 3.5 x 13mm	4
	002_219	Gap Point Screw T25 - 5x30	2
Other	022_300	Steering Wheel	1
	022_800	Rail P/T 105	1
	022_910	Sandpad	1
	103_901	Logo ID Plate	1
	104_107	Tool Set Climbing Units	1
	120_024	Tower Flag	1
	122_302	Telescope	1

Accessory set - P02 - 24/01/2024 - v5

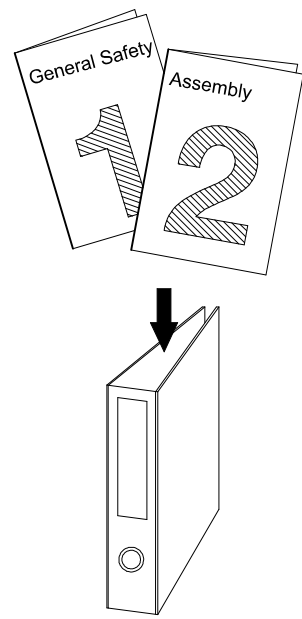
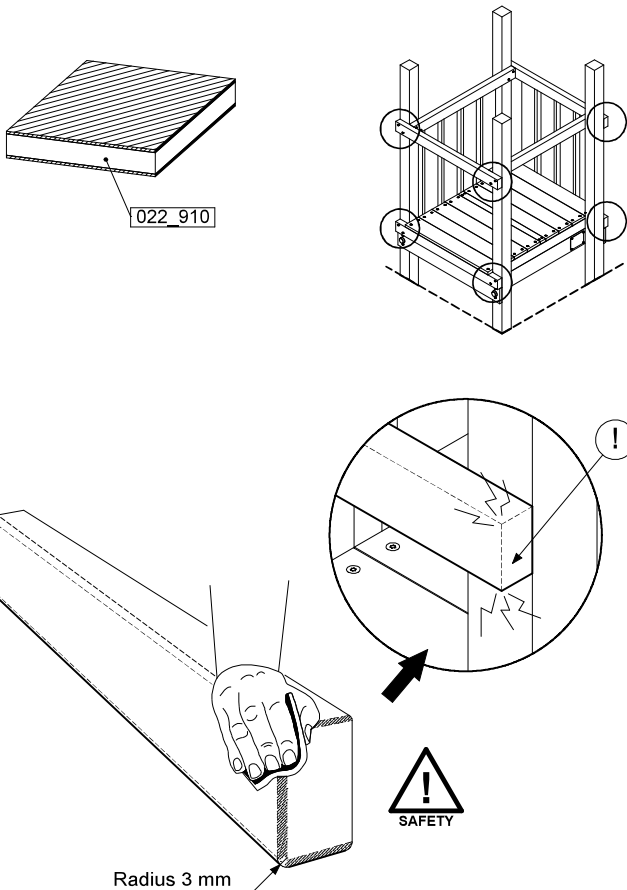


Accessory set - P03 - 24/01/2024 - v5





Accessory set - P04 - 24.01/2024 - v5



Accessory set - P05 - 24.01/2024 - v5