

Assembly instructions

Activity toys to be assembled by adults for outdoor domestic use.

Montageanleitung

Aktivitätsspielzeug zum Zusammenbauen durch Erwachsene für den Einsatz im häuslichen Außenbereich.

Instructions de montage

Jouets d'activité à assembler par des adultes pour une utilisation extérieure familial.

2

PART

Design Code : **x7I7uD**

Article Number : **211564**

Product Name : **Titan 2-Climb 3.0**







Manual ID: 048_071_2613



Jungle Gym

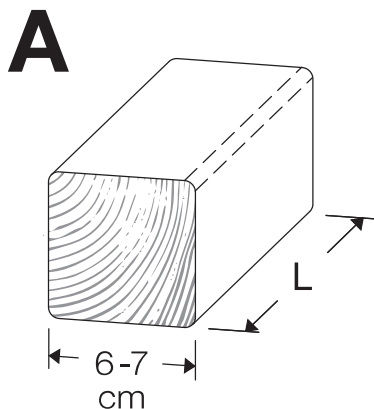
BACKYARD PLAYGROUNDS

since 1988

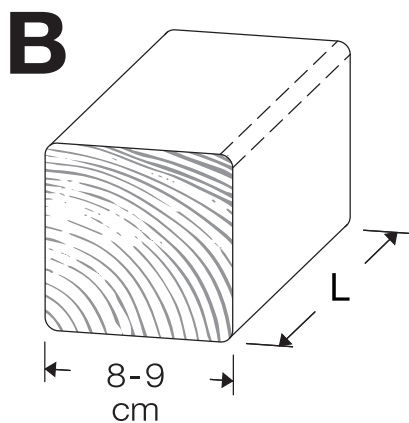
<p>Assembly time</p>  <p>16.0 hours by 2 adults</p>	<p> EN. Warning! Only for domestic use. Maximum number of users is 19. DE. Achtung! Nur für den Hausgebrauch. Maximale Benutzerzahl: 19. FR. Attention! Réserve à un usage familial. Le nombre maximal d'utilisateurs est de 19. BG. Внимание! За употреба само в домашни условия. Максималният брой потребители е 19. CS. Varování! Jen pro domácí použití. Maximální počet uživatelů je 19. DA. Advarsel! Kun til privat brug. Maksimum antal brugere er 19. EL. Προειδοποίησης! Μόνο για οικιακή χρήση. Μέγιστος αριθμός χρηστών 19. ES. Advertencias! Sólo para uso doméstico. Número máximo de usuarios: 19. ET. Hoiatused! Ainult koduseks kasutamiseks. Maksimaalne kasutajate arv on 19. FI. Varoitukset! Ainoastaan kotikäyttöön. Käyttäjää yhteensä enintään 19. HR. Upozorenja! Samo za uporabu u domu. Maksimalan broj korisnika je 19. HU. Figyelmeztetések! Csak otthoni használatra! A használók max. száma: 19. IS. Varnaðarorð! Eingöngu fyrir einkanoðkun í heimahúsum og á einkalöðum. Hámarksfjöldi notenda er 19. IT. Avvertenze! Solo per uso domestico. Massimo numero di utenti è 19. LT. Dėmesio! Tik buitiniam naudojimui. Maksimalus naudotojų skaičius 19. LV. Brīdinājumi. Izmantot tikai mājās. Maksimālais lietotāju skaits ir 19. NL. Waarschuwing! Uitsluitend voor huishoudelijk gebruik. Het maximale aantal gebruikers is 19. NO. Advarsel! Kun for privat bruk. Maksimalt antall brukere er 19. PL. Ostrzeżenia! Wyłącznie do użytku domowego. Maksymalna liczba użytkowników to 19. PT. Avisos! Apenas para uso doméstico. O número máximo de utilizadores é 19. RO. Avertismente! Numai pentru uz domestic. Numărul maxim de utilizatori este 19. SK. Upozornenia! Iba na domáce použitie. Maximálne množstvo osôb je 19. SL. Opozorila! Samo za domačo uporabo. Maksimalno število uporabnikov je 19. SV. Varningar! Endast för hemmabruk. Det maximala antalet användare är 19.</p>	 
--	---	--

Design code: x7I7uD, © 2025 Jungle Gym B.V. All rights reserved. Single-owner licensed. No part of this document may be reproduced or utilized otherwise in any form or by any means, electronic or mechanical, including photocopying or posting on the internet or an intranet—copying and networking prohibited.

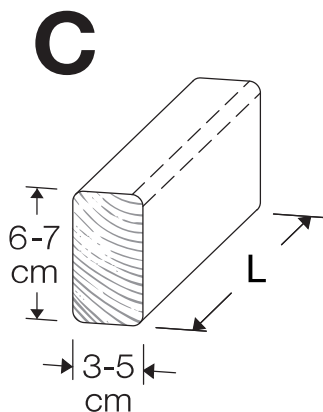
Identifying and inventorying of the individual timber parts
Identifizierung und inventarisieren der der einzelnen Holzteile
Identification et inventorier les pièces en bois individuels



ID	L	#
A220	219 cm - 220 cm	4
A240	239 cm - 240 cm	12

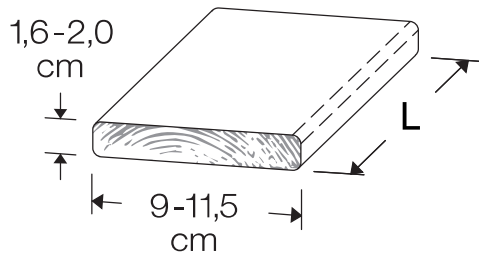


B74	73 cm - 74 cm	1
B240	239 cm - 240 cm	1



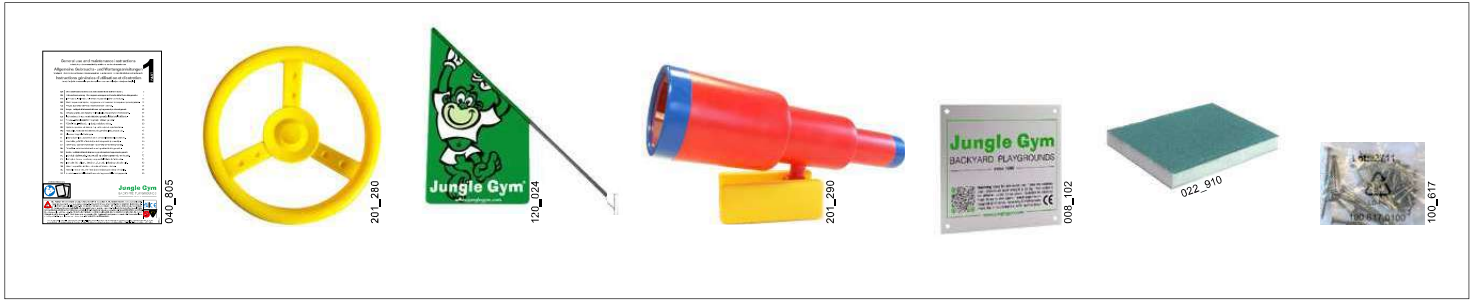
C37	36 cm - 37 cm	3
C56	55 cm - 56 cm	2
C62	61 cm - 62 cm	2
C70	69 cm - 70 cm	3
C74	73 cm - 74 cm	15
C84	83 cm - 84 cm	7
C90	89 cm - 90 cm	4
C96	85 cm - 96 cm	12
C114	113 cm - 114 cm	25
C123	122 cm - 123 cm	3
C130	129 cm - 130 cm	1
C141	140 cm - 141 cm	10
C150	149 cm - 150 cm	2

D



D21	20 cm - 21 cm	16
D47	46 cm - 47 cm	39
D60	59 cm - 60 cm	13
D65	64 cm - 65 cm	44
D74	73 cm - 74 cm	8
D100	99 cm - 100 cm	57
D114	113 cm - 114 cm	113
D127	126 cm - 127 cm	48
D141	140 cm - 141 cm	5
D154	153 cm - 154 cm	1

Overview of the contents of the standard included start package
Übersicht über den Inhalt des standardmäßig enthaltenen Startpakets
Aperçu du contenu du pack de démarrage inclus standard



194_119

Overview of the bit and drill bit references
Übersicht über die Bit- und Bohrer-Referenzen
Aperçu des références des embouts et des forêts



104_107

Overview of all hardware and part references for identification
Übersicht über alle Hardware- und Teile-Referenzen zur Identifizierung
Aperçu de toutes les références de matériel et de pièces pour identification

			#	L
			001_404 001_406 001_411 001_417 001_422	30 mm 45 mm 60 mm 80 mm 137 mm
			001_102	30 mm
			000_101	20 mm
			002_036	16 mm
			002_041	20 mm
			002_042	13 mm
			002_301	40 mm

			#	L
			002_308 002_219 002_220 002_223	20 mm 30 mm 45 mm 80 mm
			004_050	22mm
			003_010	
			003_034	
			022_845 022_846 022_847 022_848	Yellow Blue Green Red
			023_031	White
			120_005	White

Manual ID: 048_071_2613

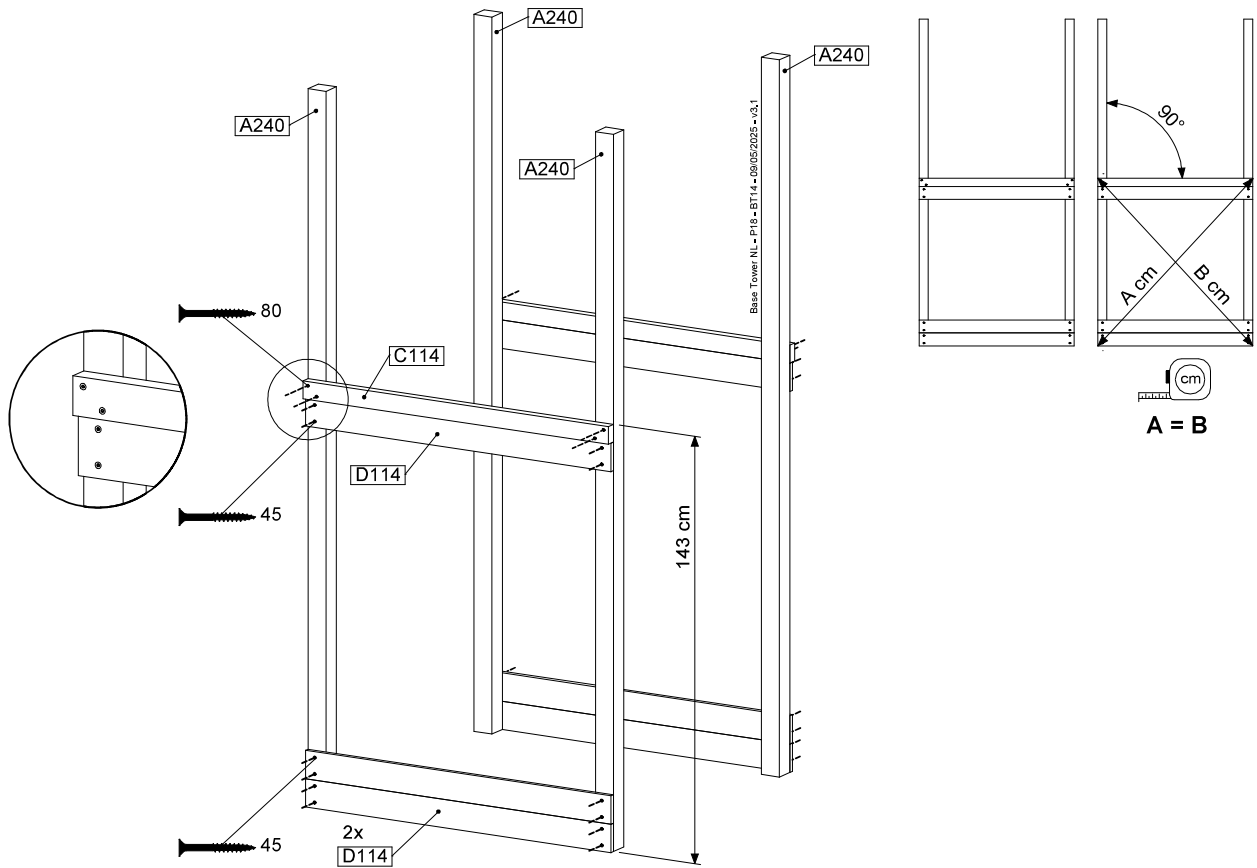
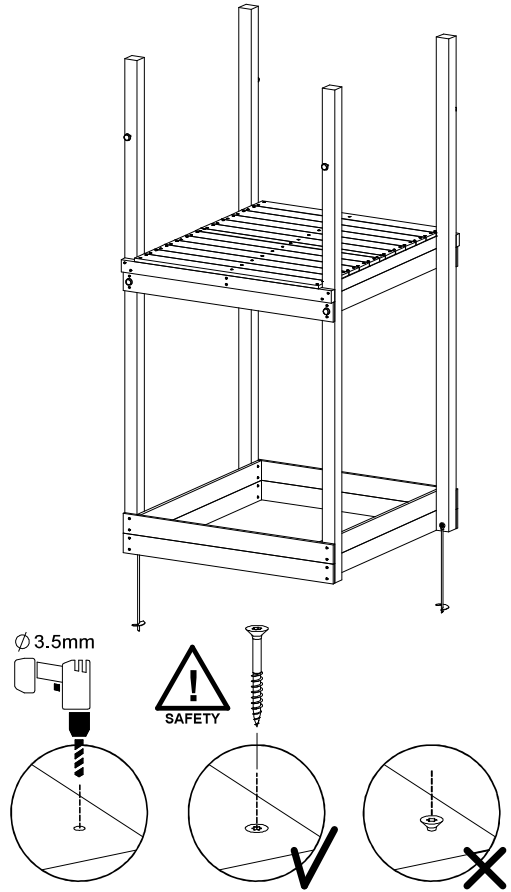
output: 27/06/24

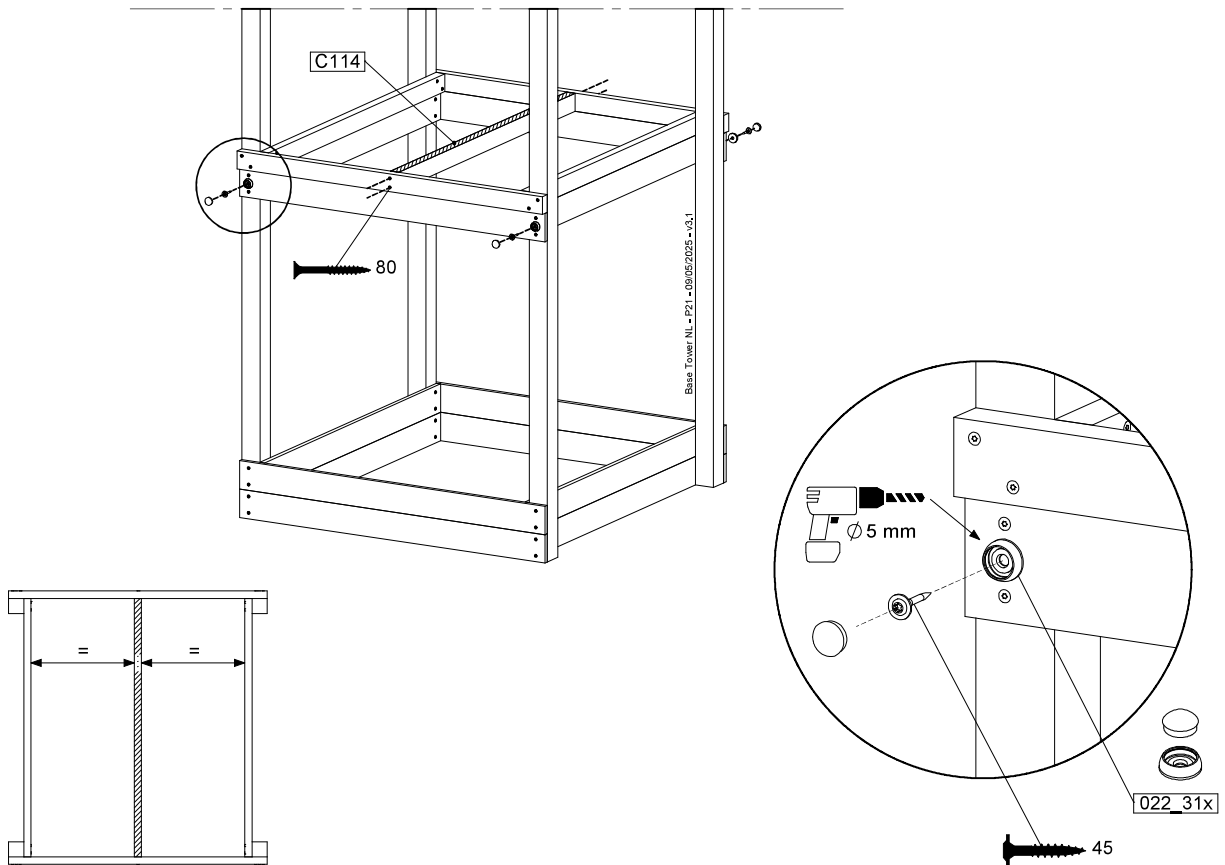
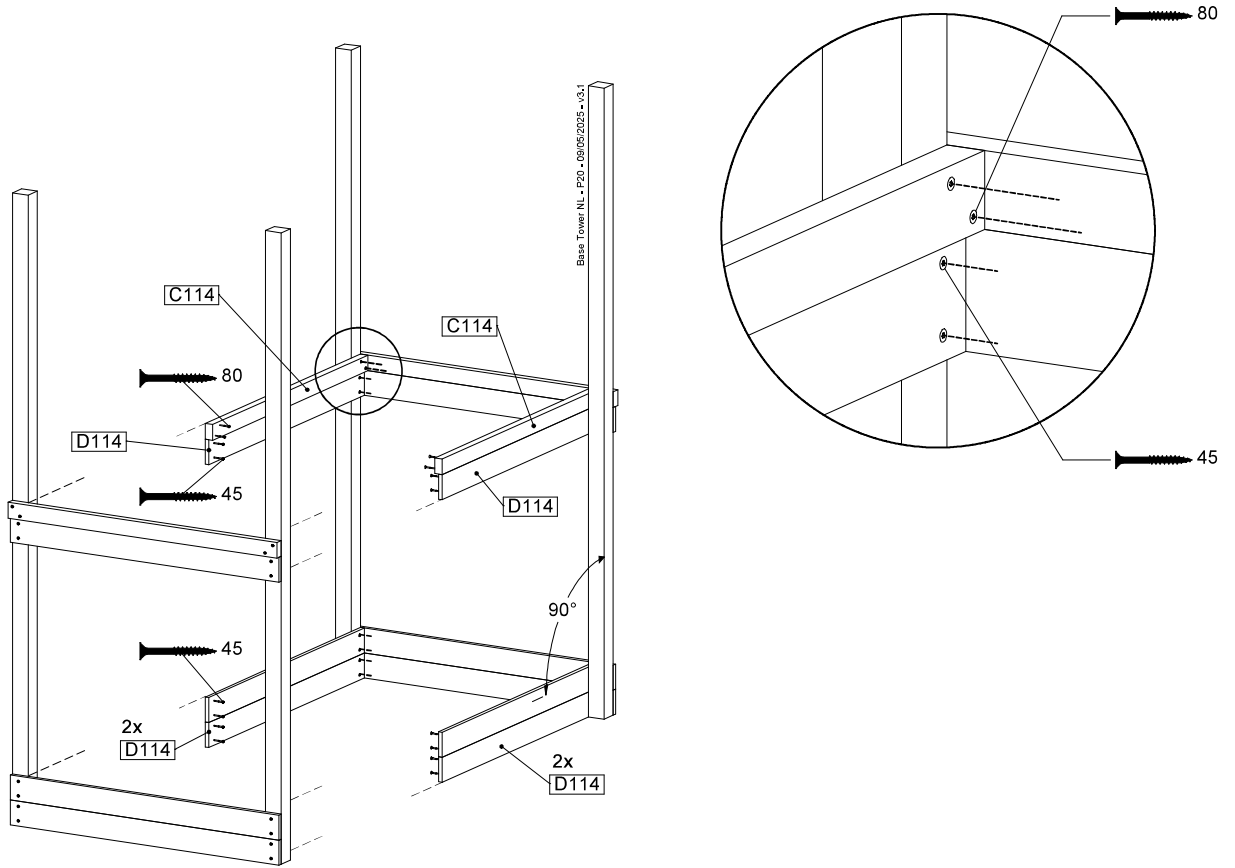
1 BT14a: Base Tower 115 145cm 240240

Assembly Pack: 194_300

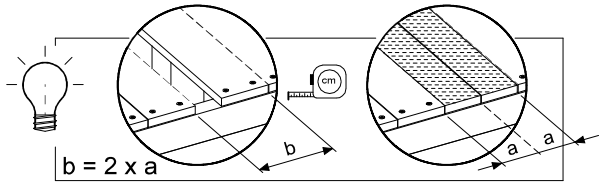
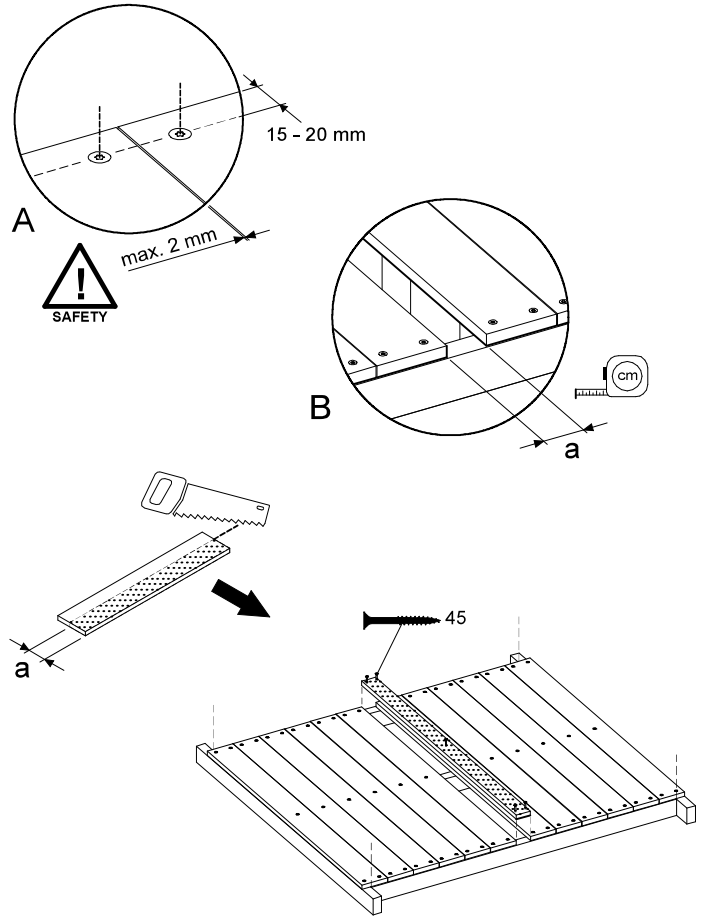
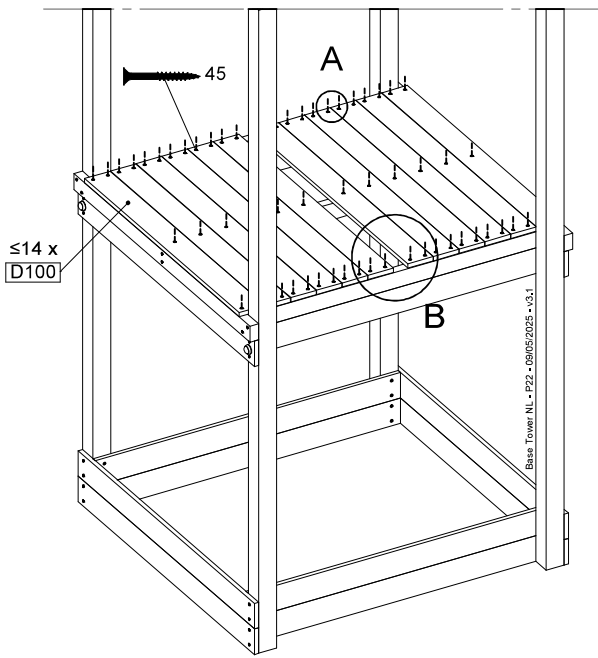
	PartNo	PartName	QTY.
Hardware + Parts	001_406	Stealth Screw 8x45	6
	001_417	Stealth Screw 8x80	4
	002_220	Gap Point Screw T25 - 5x45	118
	002_223	Gap Point Screw T25 - 5x80	20
	022_31x	bpc-base version 3	8
	022_84x	bpc cover	8
	007_001	Ground-anchor	2
Timber	A240	Post ca.70x70 L2400	4
	C114	Beam 1140 mm	5
	D100	Board 1000 mm	14
	D114	Board 1140 mm	12

Base Tower NL = P19 = BT14 - 09/05/2025 - v3.1





1.2

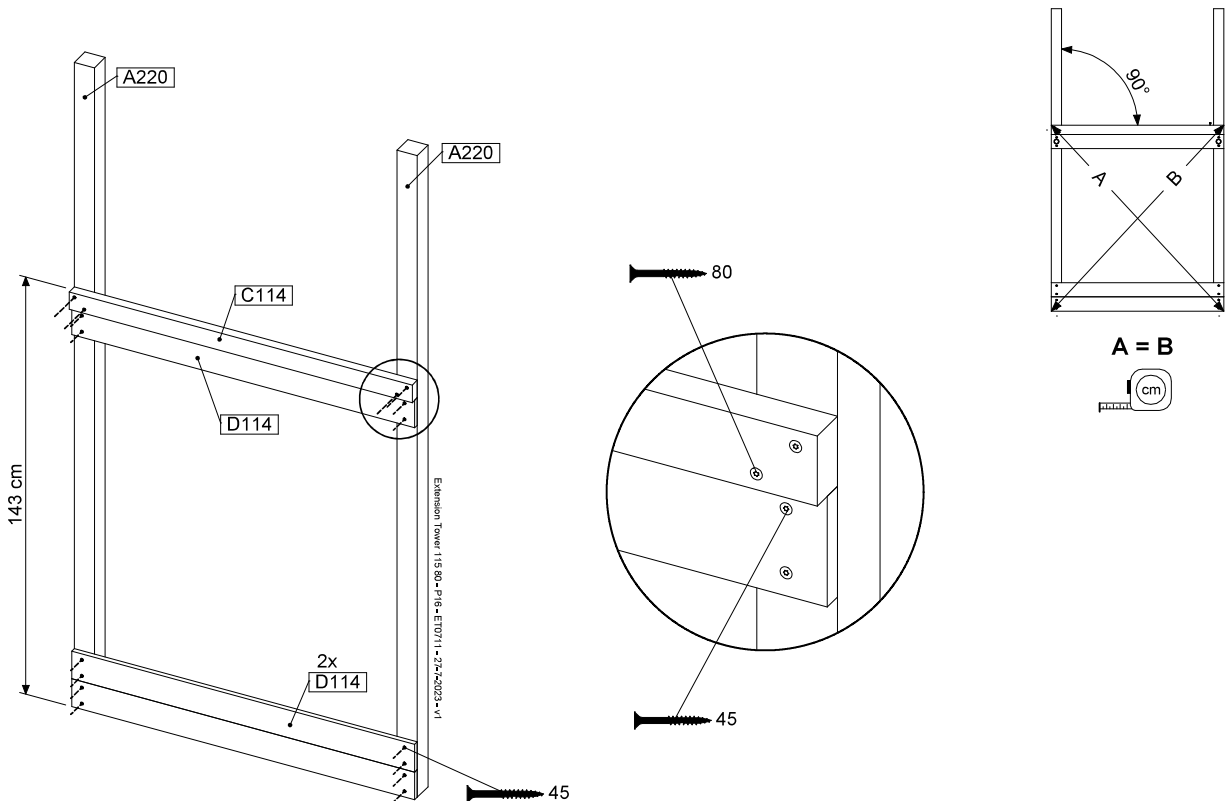
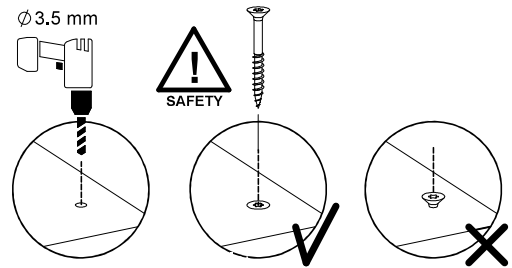
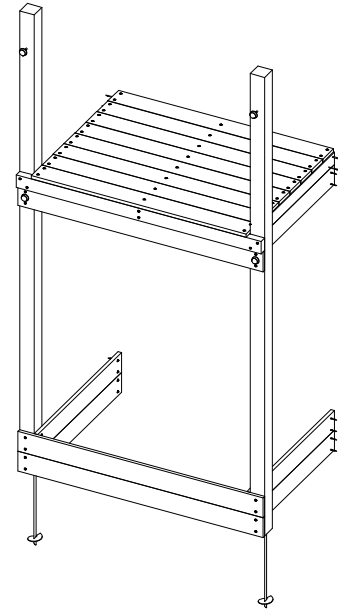


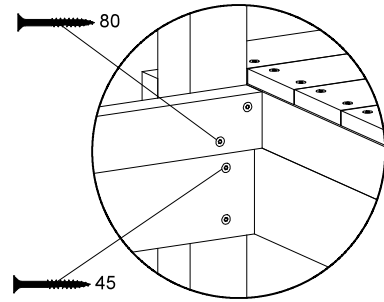
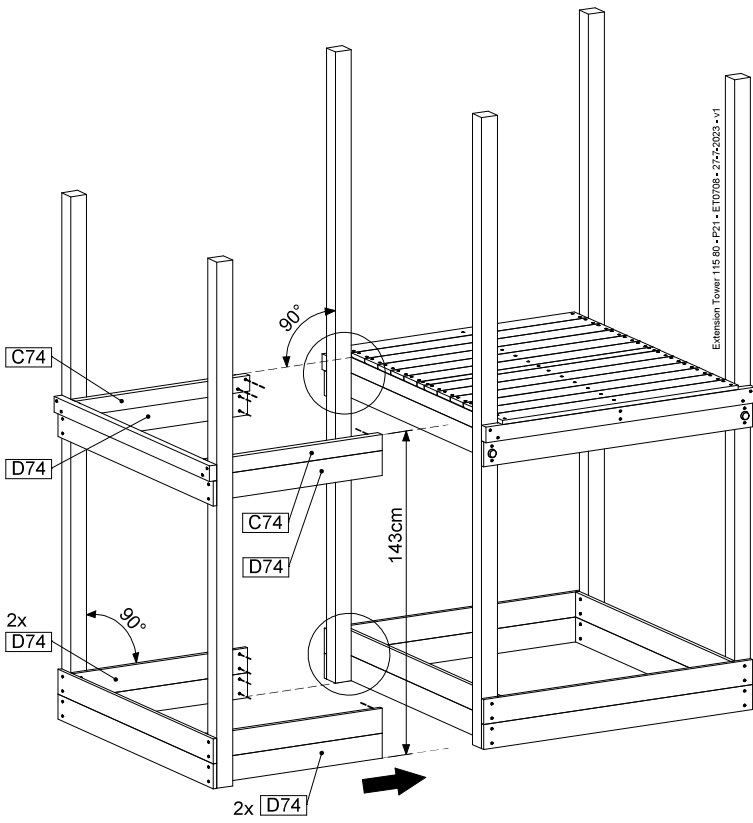
2 ET07a: Extension Tower 11580 220/145

(194_300)

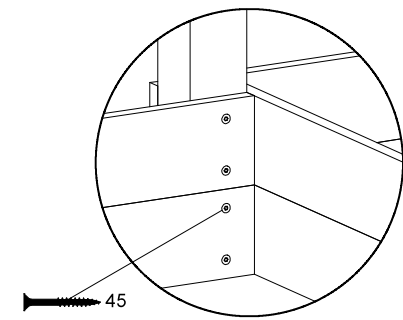
	PartNo	PartName	QTY.
Hardware pack	001_406	Stealth Screw 8x45	4
	001_417	Stealth Screw 8x80	2
	002_220	Gap Point Screw T25 - 5x45	81
	002_223	Gap Point Screw T25 - 5x80	16
Other	007_001	Ground-anchor	2
	022_31x	bpc-base version 3	4
	022_84x	bpc cover	4
Timber	A220	Post 70x70 L2200	2
	C74	Beam 740 mm	3
	C114	Beam 1140 mm	1
	D74	Board 740 mm	6
	D100	Board 1000 mm	9
	D114	Board 1140 mm	3

Extension Tower 115 80 - PD4 - ET07 - 27-7-2023 - v1

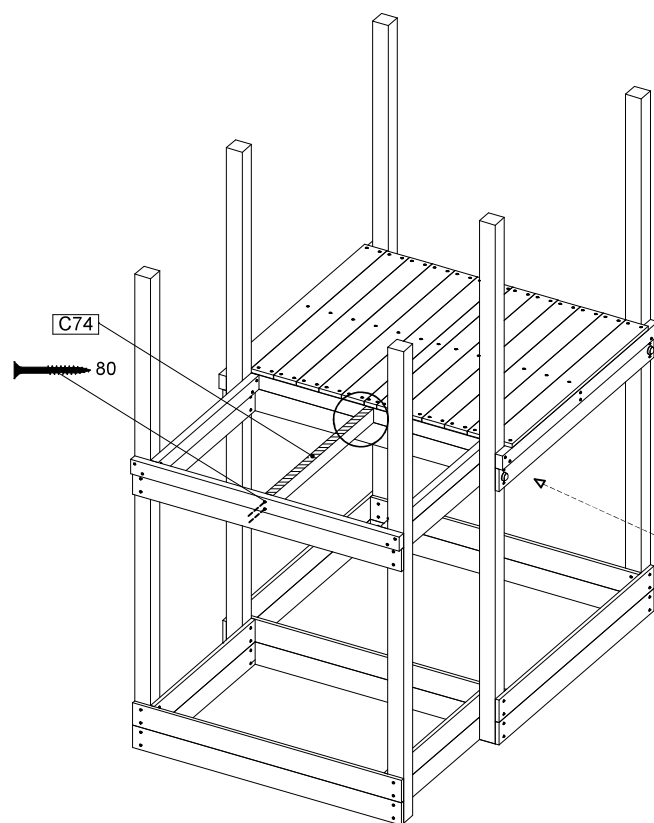




80

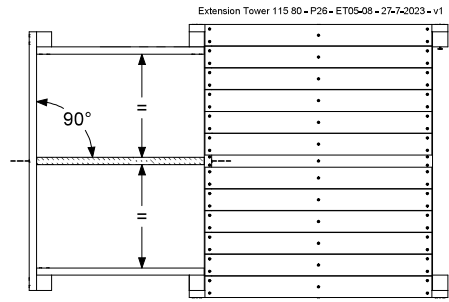


45

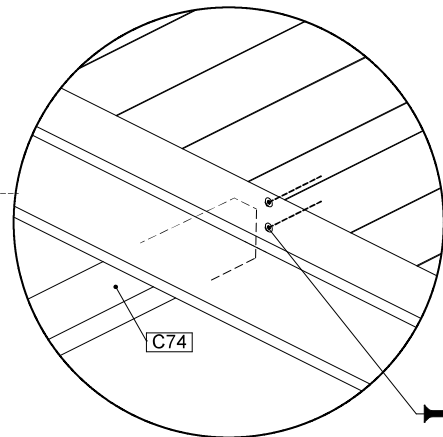


C74

80



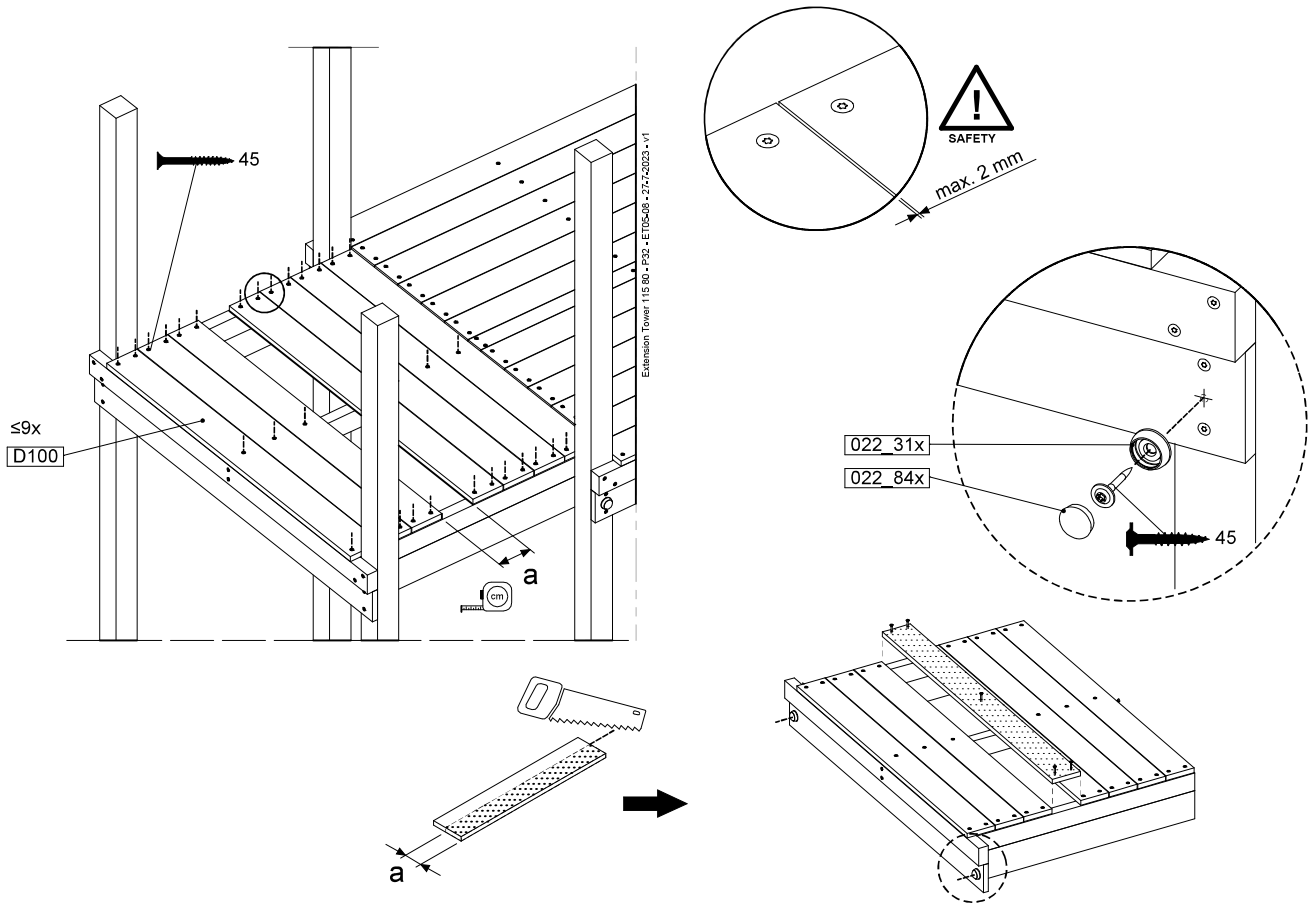
Extension Tower 115 80 - P26 - ET05-09 - 27-7-2023 - v1



C74

80

2.2

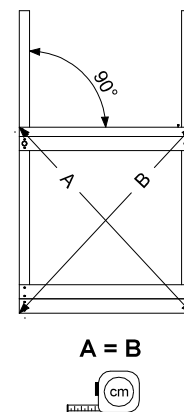
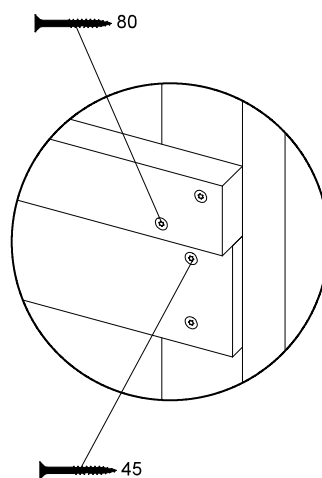
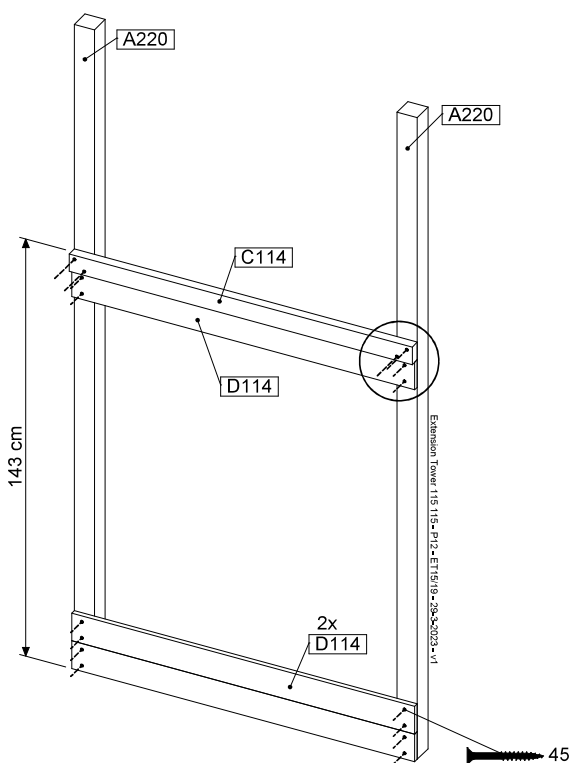
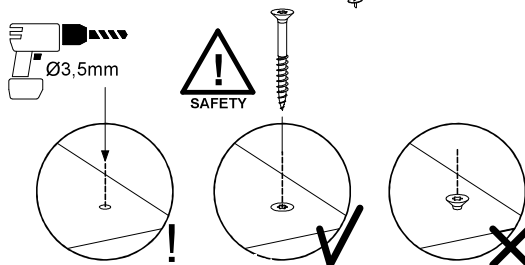
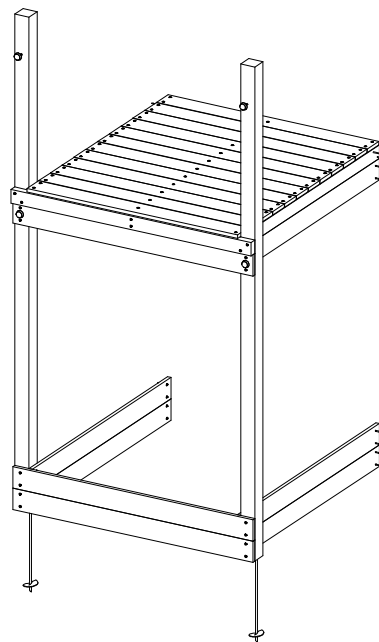


3 ET15a: Extension Tower 115 220/145

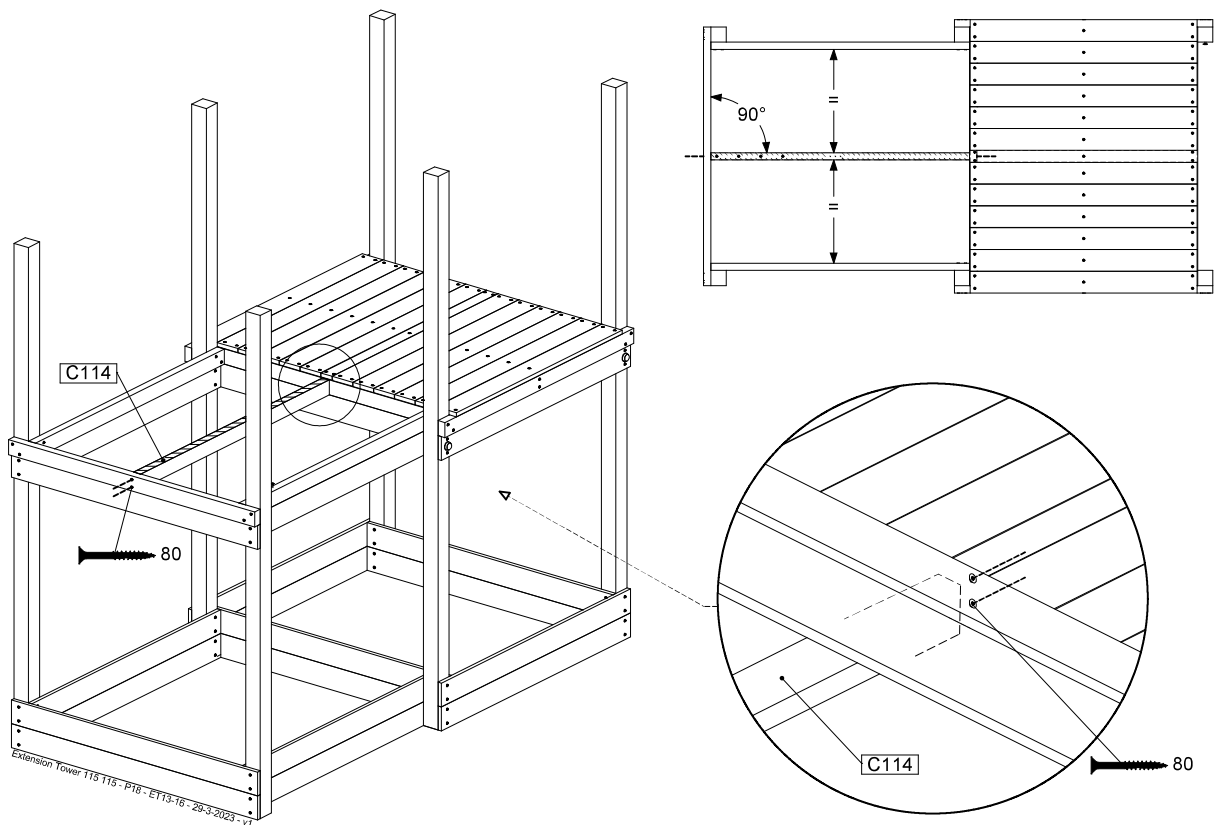
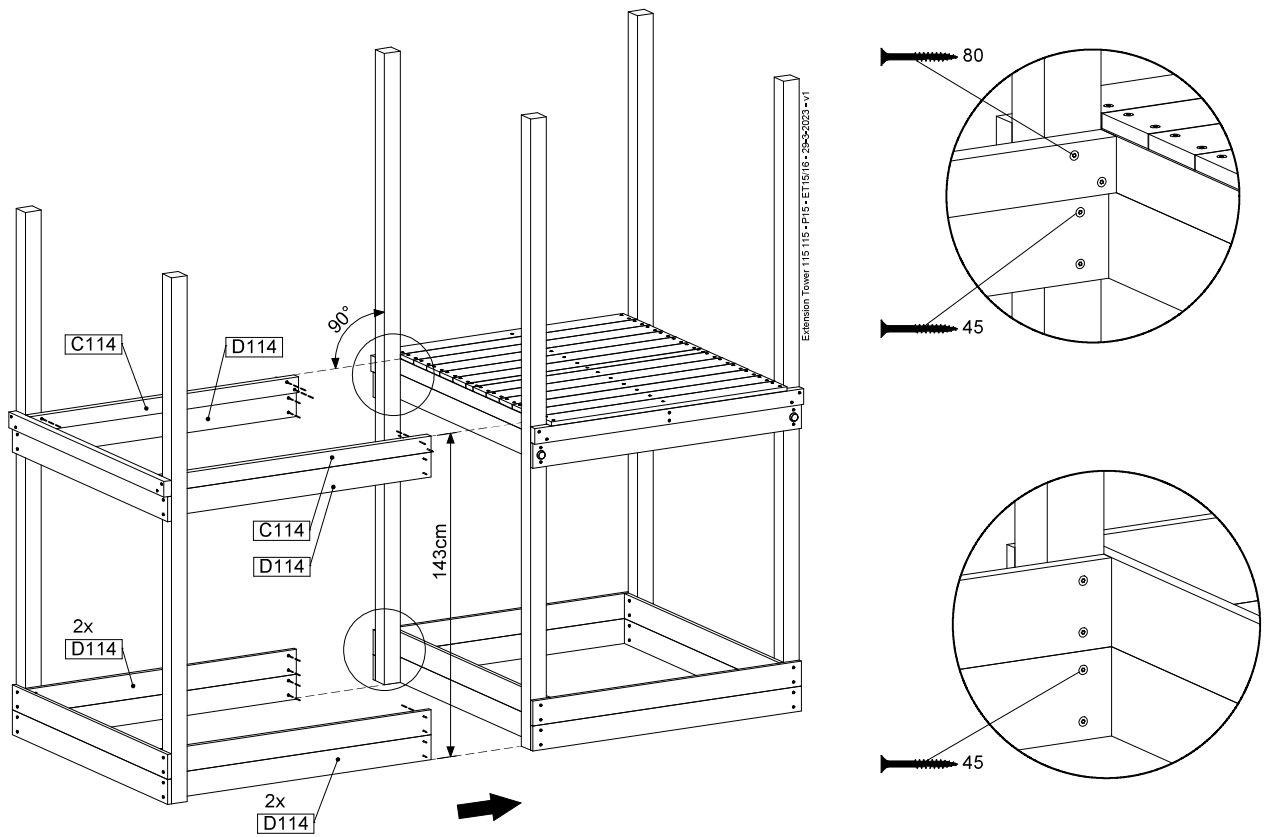
(194_300)

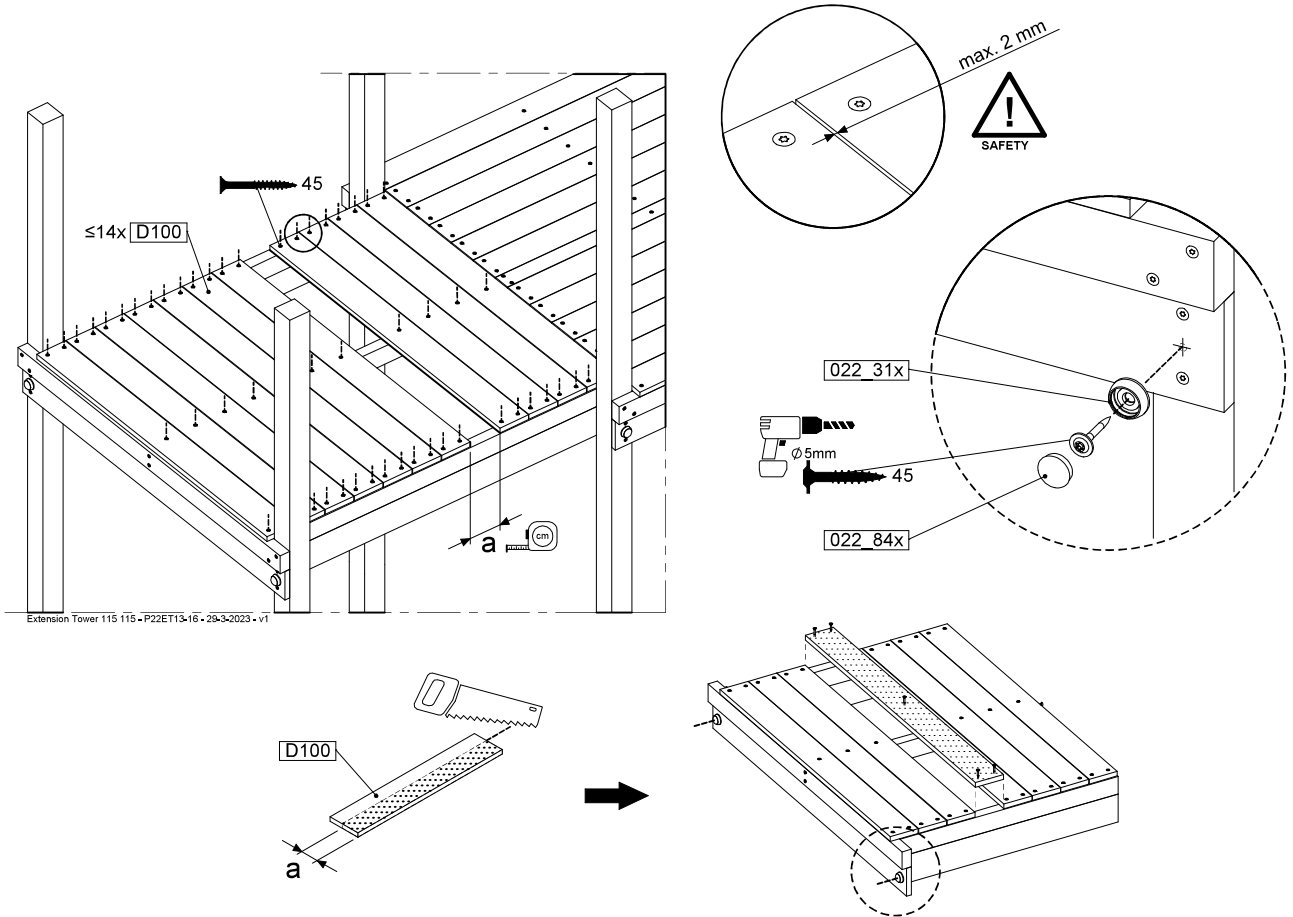
	PartNo	PartName	QTY.
Hardware pack	001_406	Stealth Screw 8x45	4
	001_417	Stealth Screw 8x80	2
	002_220	Gap Point Screw T25 - 5x45	106
	002_223	Gap Point Screw T25 - 5x80	16
Other	007_001	Ground-anchor	2
	022_31x	bpc-base version 3	4
	022_84x	bpc cover	4
Timber	A220	Post 70x70 L2200	2
	C114	Beam 1140 mm	4
	D100	Board 1000 mm	14
	D114	Board 1140 mm	9

Extension Tower 115 115-PR4-ET15-28-2023-V1



3.1



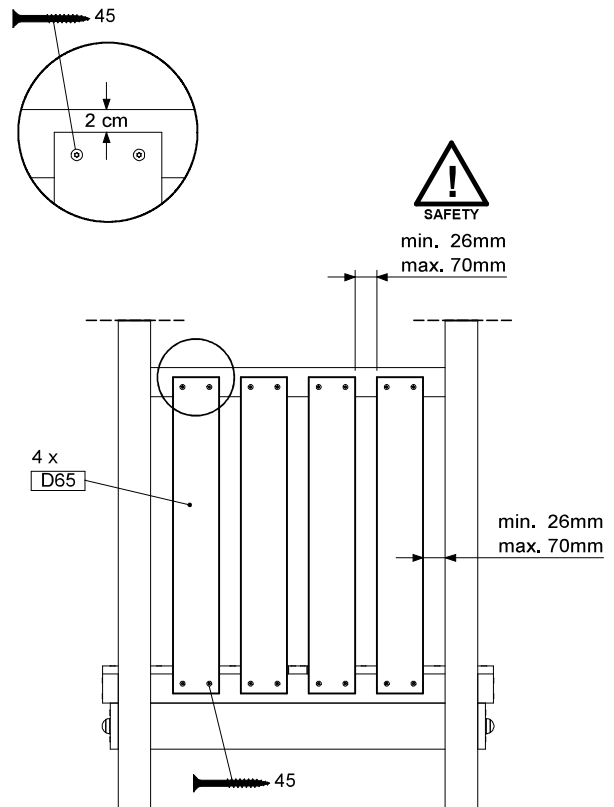
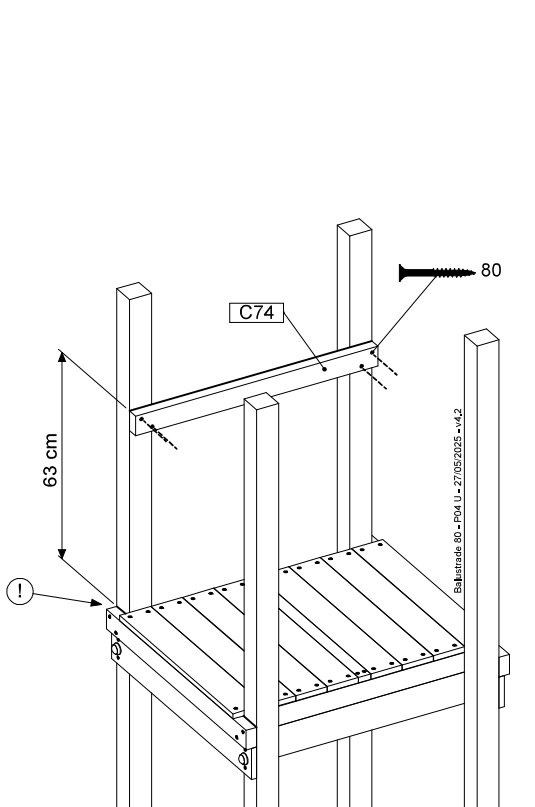
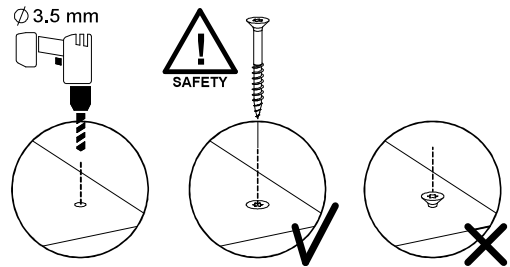
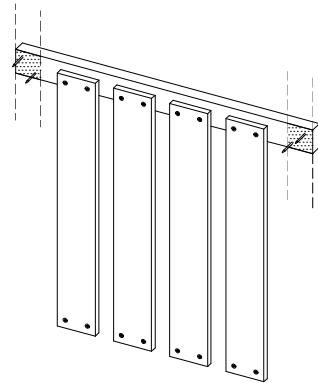


4 BL01a: Balustrade 80 U - 7x7 posts

Assembly Pack: 194_101

	PartNo	PartName	QTY.
Hardware + Parts	002_220	Gap Point Screw T25 - 5x45	16
	002_223	Gap Point Screw T25 - 5x80	4
Timber	C74	Beam 740 mm	1
	D65	Board 650 mm	4

Balustrade 80 - P04 U - 27.05.2025 - v4.2

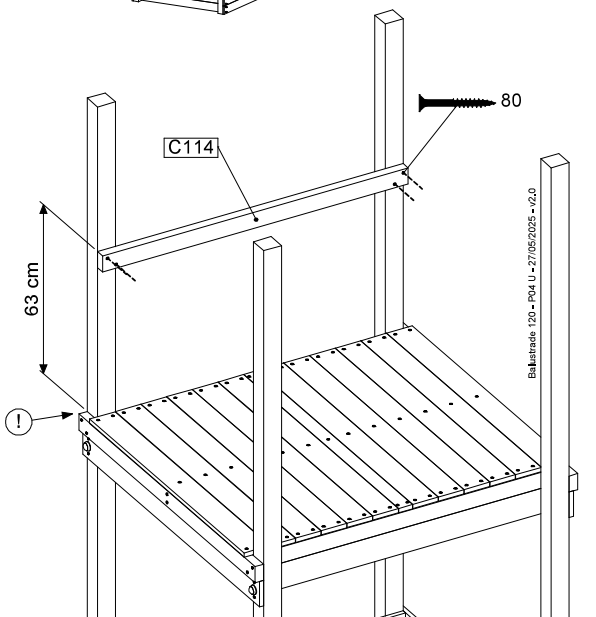
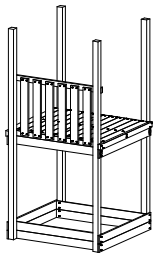
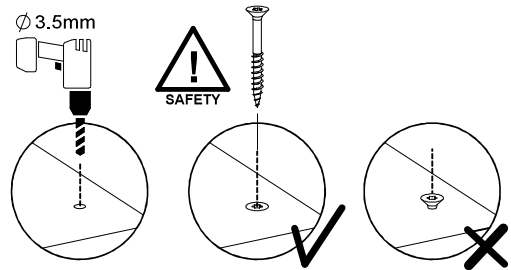
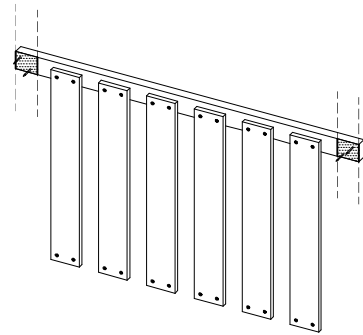


5 BL03a: Balustrade 115 U

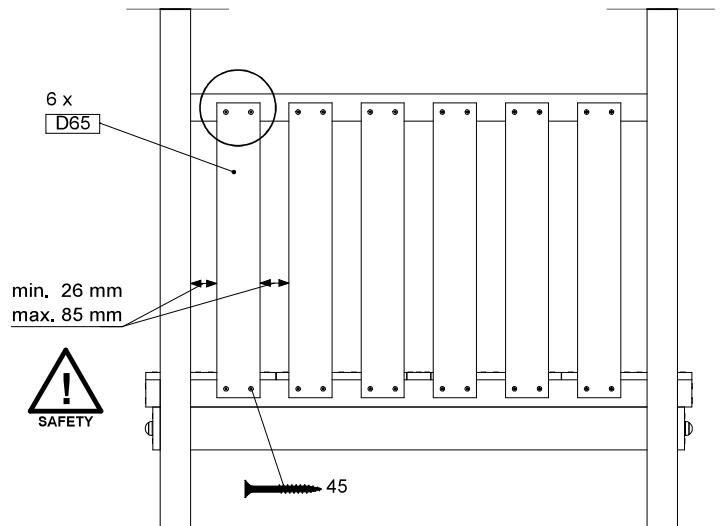
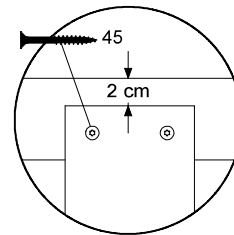
Assembly Pack: 194_501

	PartNo	PartName	QTY.
Hardware + Parts	002_220	Gap Point Screw T25 - 5x45	24
	002_223	Gap Point Screw T25 - 5x80	4
Timber	C114	Beam 1140 mm	1
	D65	Board 650 mm	6

Balustrade 120 - Pop U - 27/05/2025 - v2.0



Balustrade 120 - Pop U - 27/05/2025 - v2.0

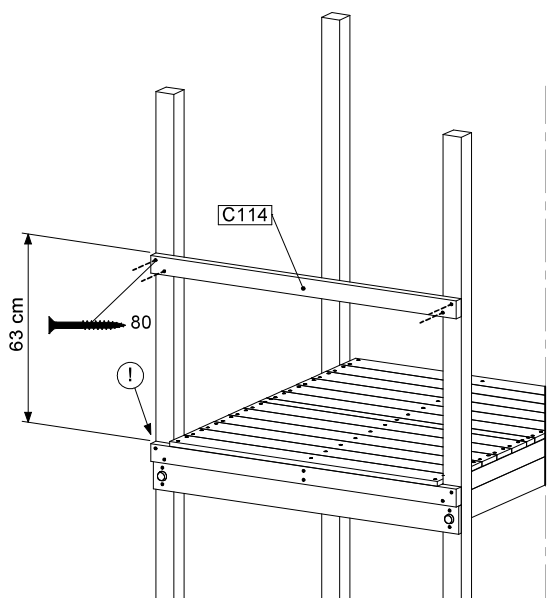
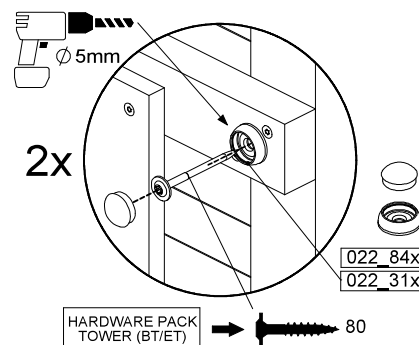
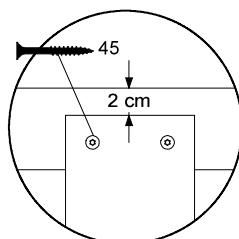
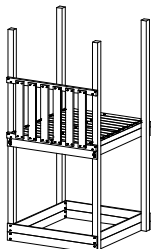
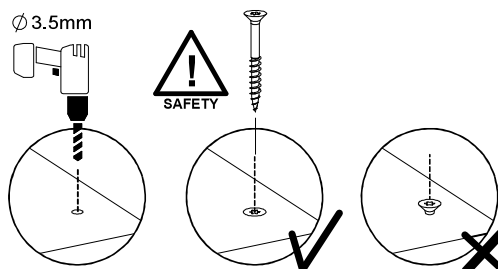
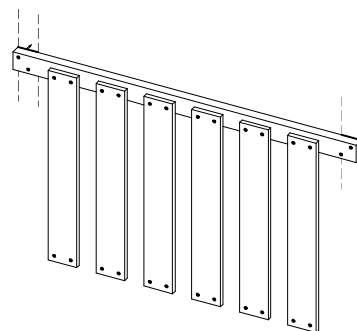


6 BL04a: Balustrade 115 T

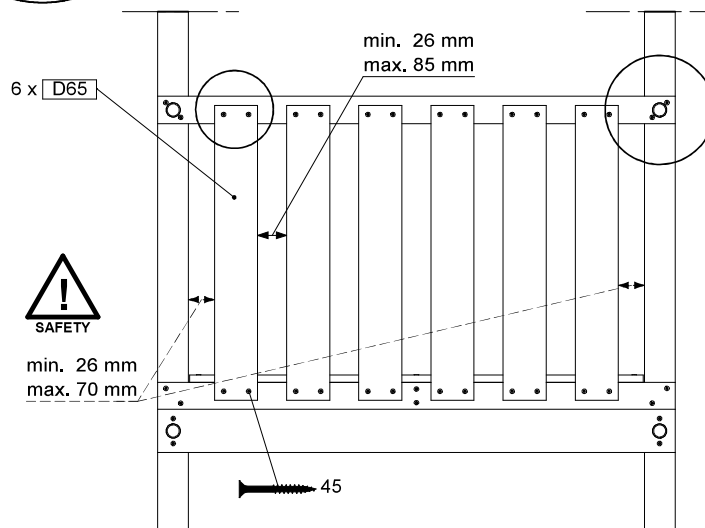
Assembly Pack: 194_501

	PartNo	PartName	QTY.
Hardware + Parts	002_220	Gap Point Screw T25 - 5x45	24
	002_223	Gap Point Screw T25 - 5x80	4
Timber	C114	Beam 1140 mm	1
	D65	Board 650 mm	6

Balustrade 120 - P03.T - 27/05/2025 - v2.0

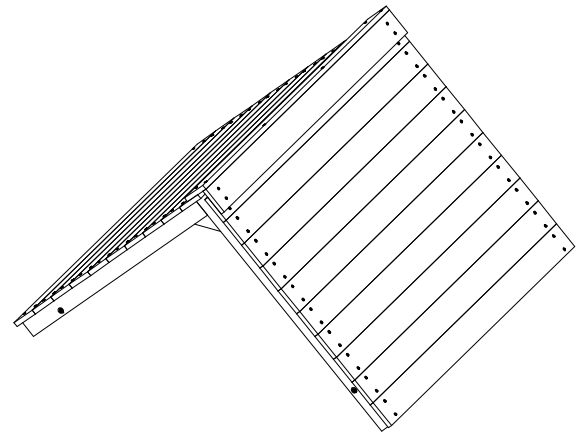


Balustrade 120 - P05.T - 27/05/2025 - v2.0



Manual ID: 048_071_2613

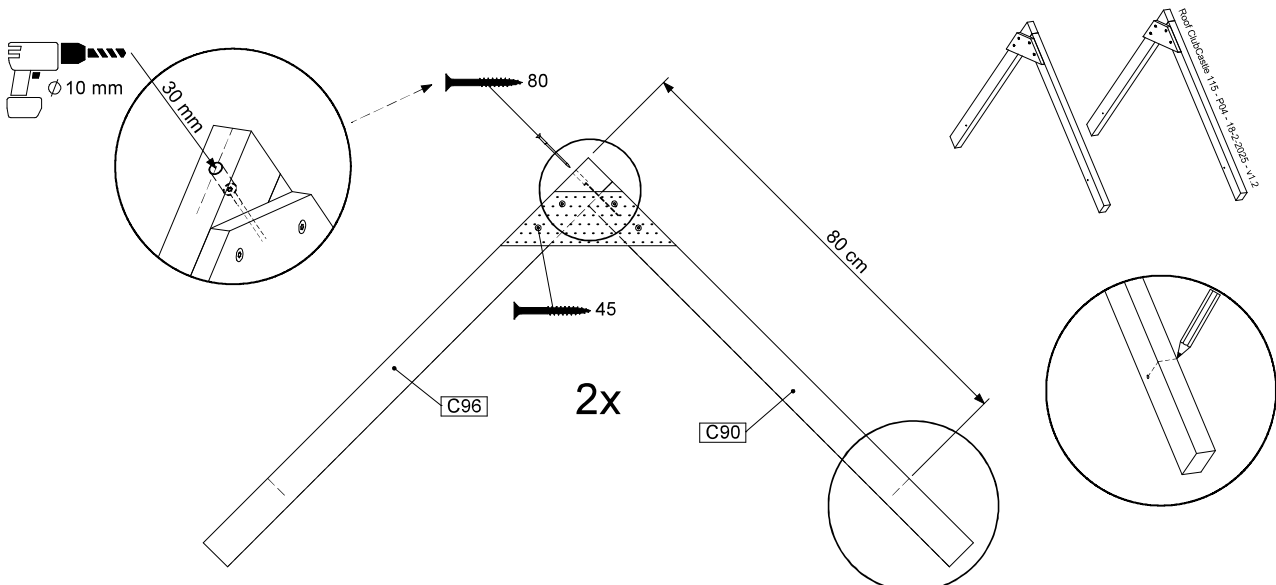
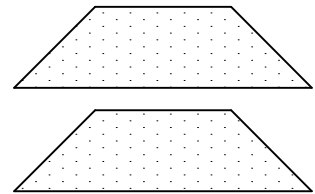
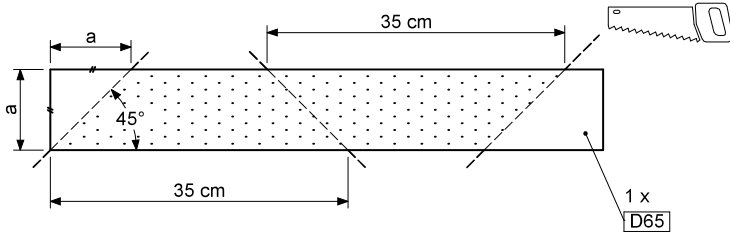
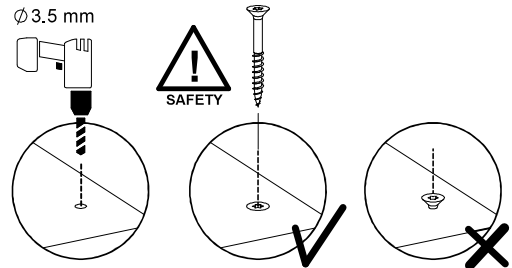
7 RF08b: Roof Timber Gable 115 - 2.0



Assembly Pack: 194_308 / 194_804

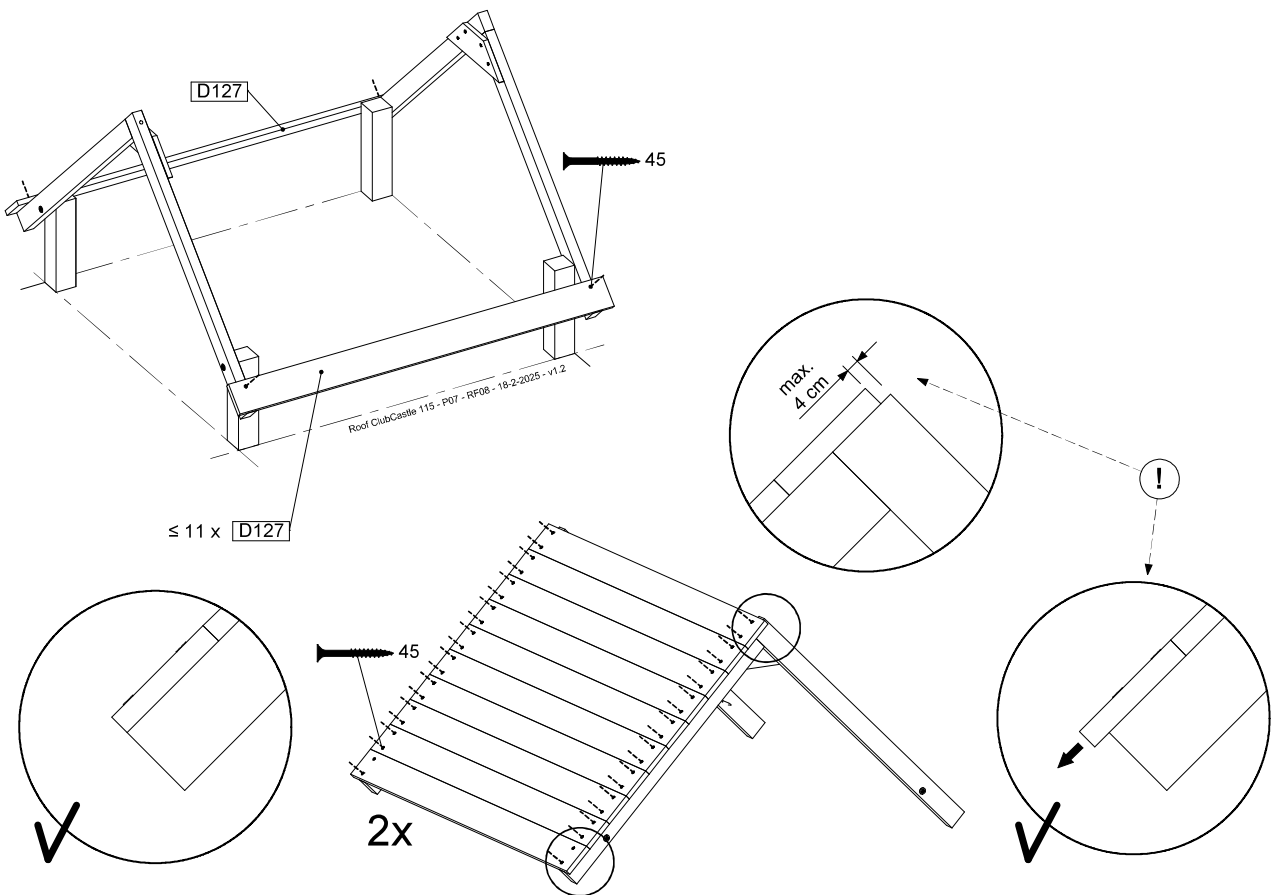
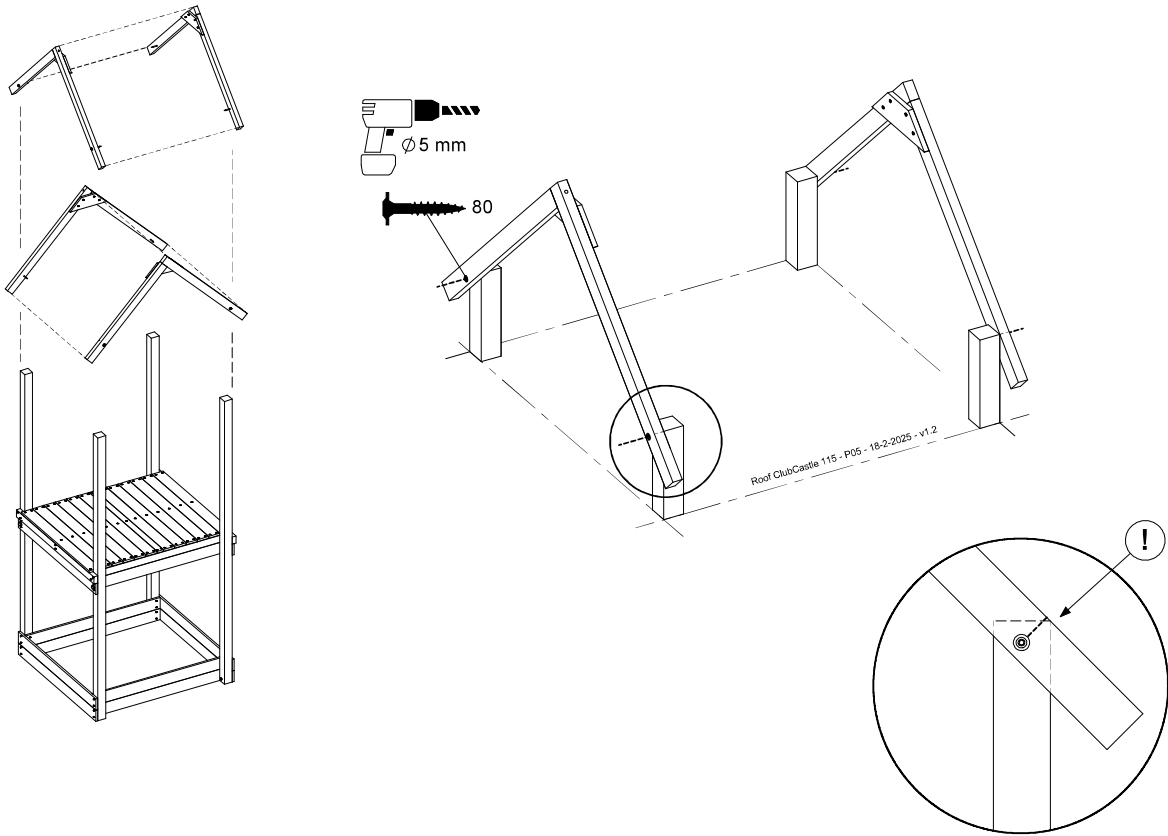
	PartNo	PartName	QTY.
Hardware Pack	001_417	Stealth Screw 8x80	4
	002_220	Gap Point Screw T25 - 5x45	100
	002_223	Gap Point Screw T25 - 5x80	8
Timber	C96	Beam 960 mm	2
	D65	Board 650 mm	1
	D127	Board 1270 mm	24
	C90	Beam 900 mm	2

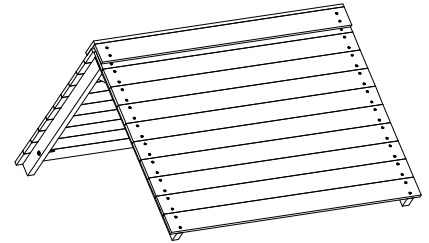
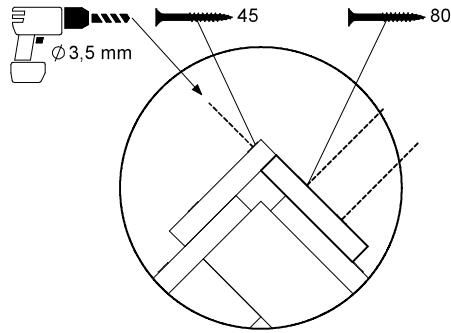
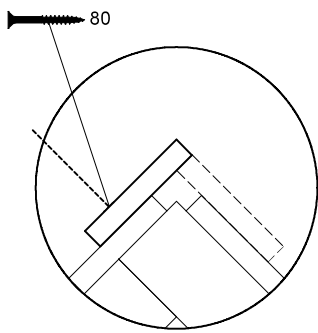
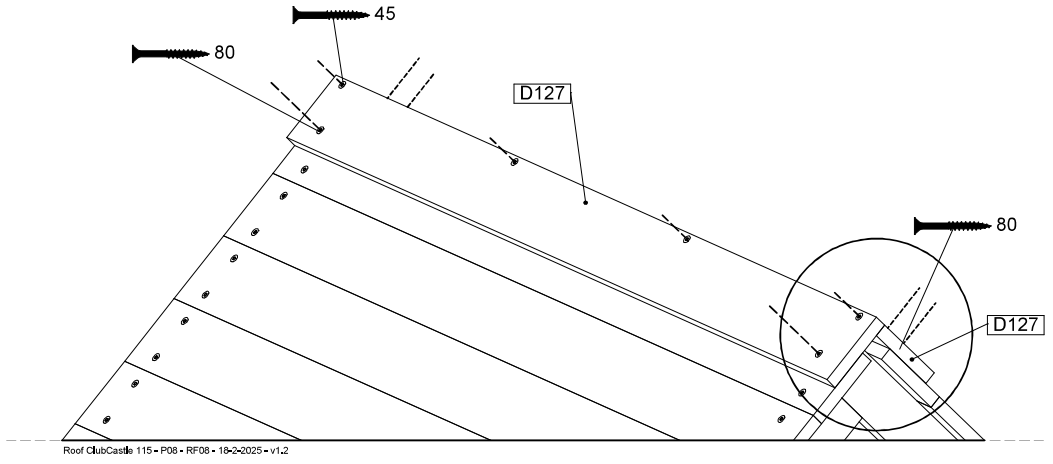
Roof Calculator: 115 - P03 - RF08 - 18-2-2025 - v1.2



Roof Calculator: 115 - P03 - RF08 - 18-2-2025 - v1.2

7.1



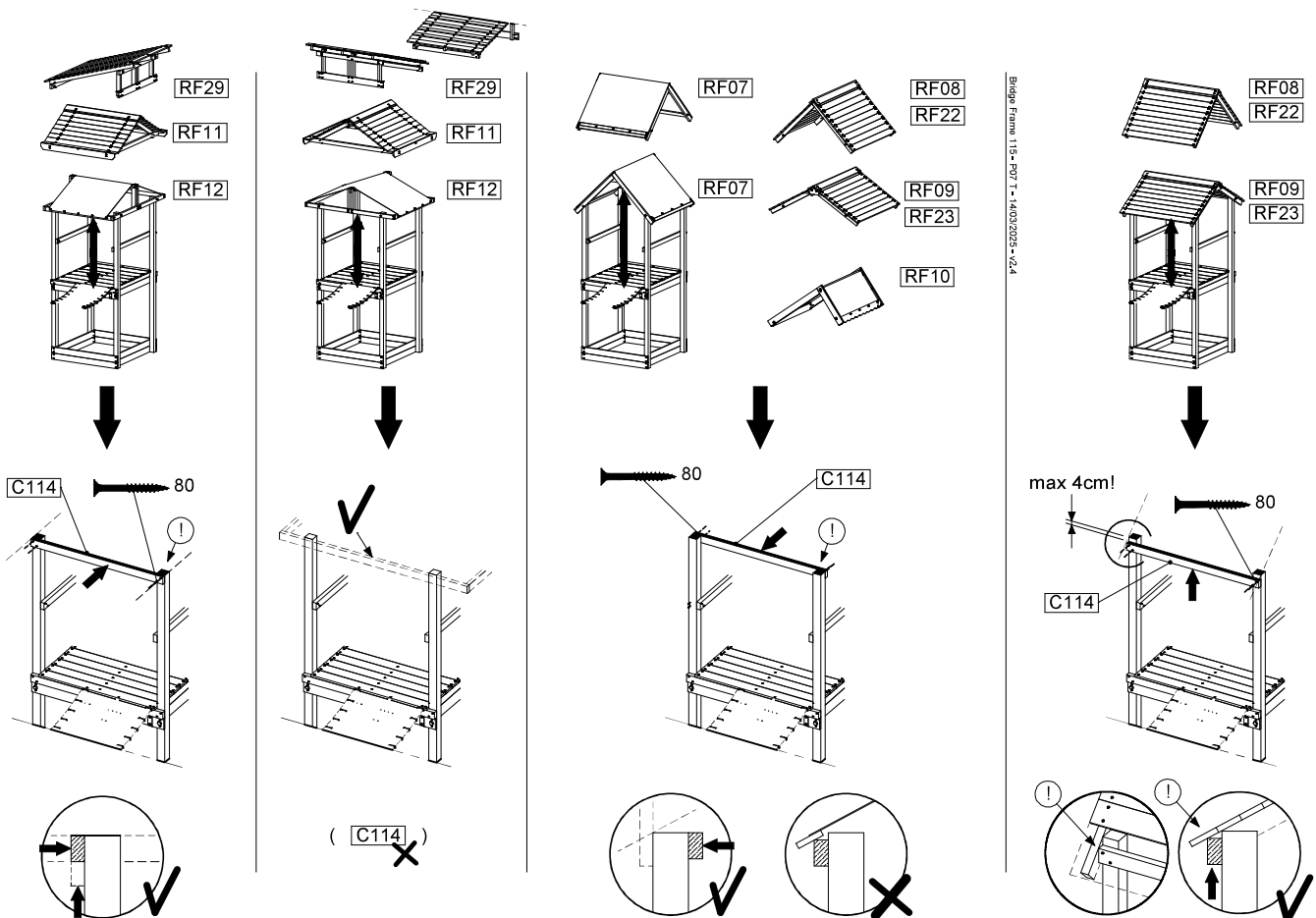
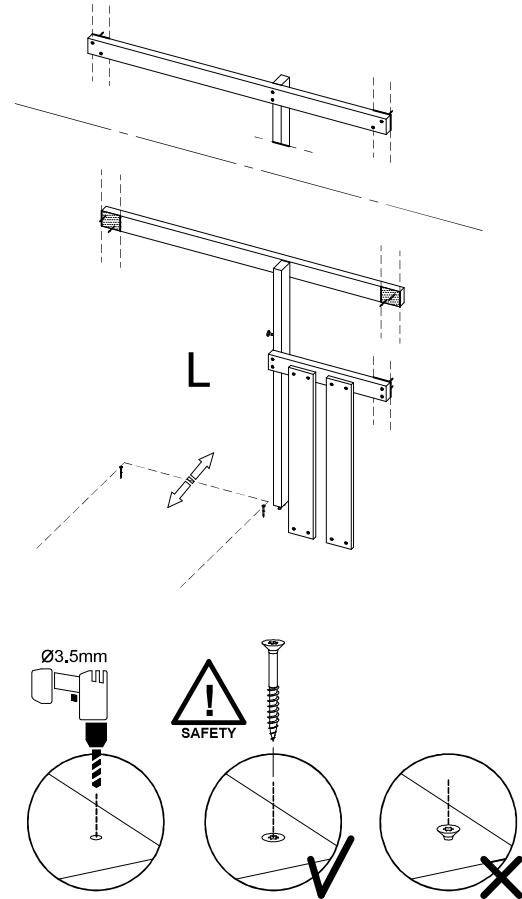


8 BF03a: Bridge Frame 115 T Left

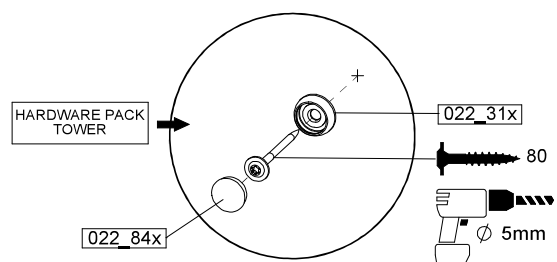
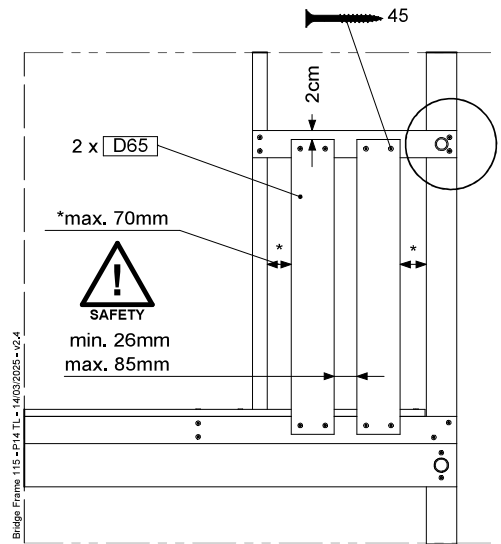
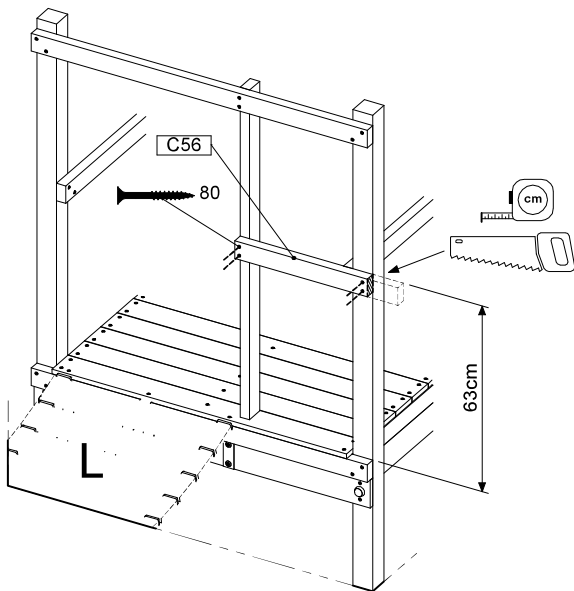
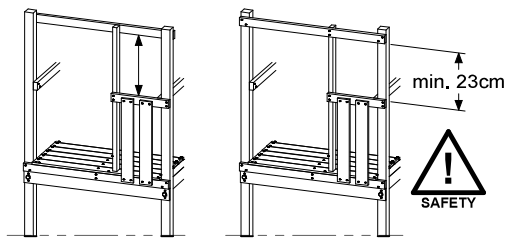
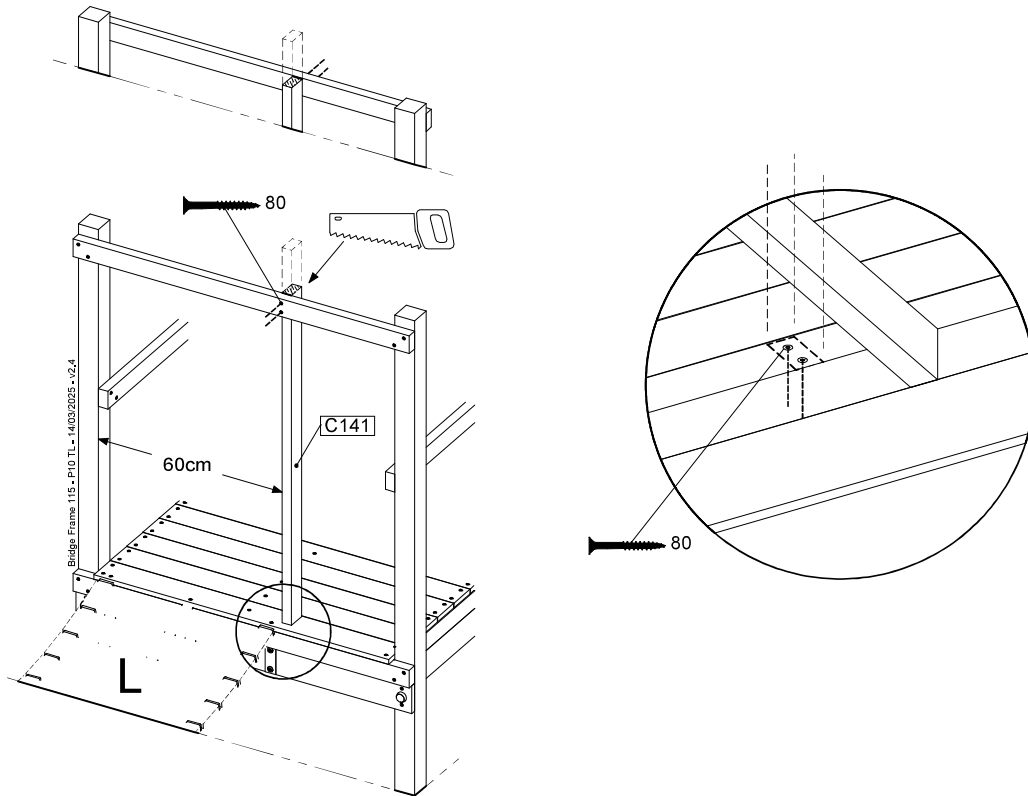
Assembly Pack: 194_007 (a) / 194_802(b)

	PartNo	PartName	QTY.
Hardware + Parts	001_411	Stealth Screw 8x60	1
	002_220	Gap Point Screw T25 - 5x45	10
	002_223	Gap Point Screw T25 - 5x80	12
Timber	C56	Beam 560 mm	1
	C114	Beam 1140 mm	1
	C141	Beam 1410 mm	1
	D65	Board 650 mm	2

Bridge Frame 115 - R04 TL - 14/03/2025 - v2.4



Bridge Frame 115 - R04 TL - 14/03/2025 - v2.4

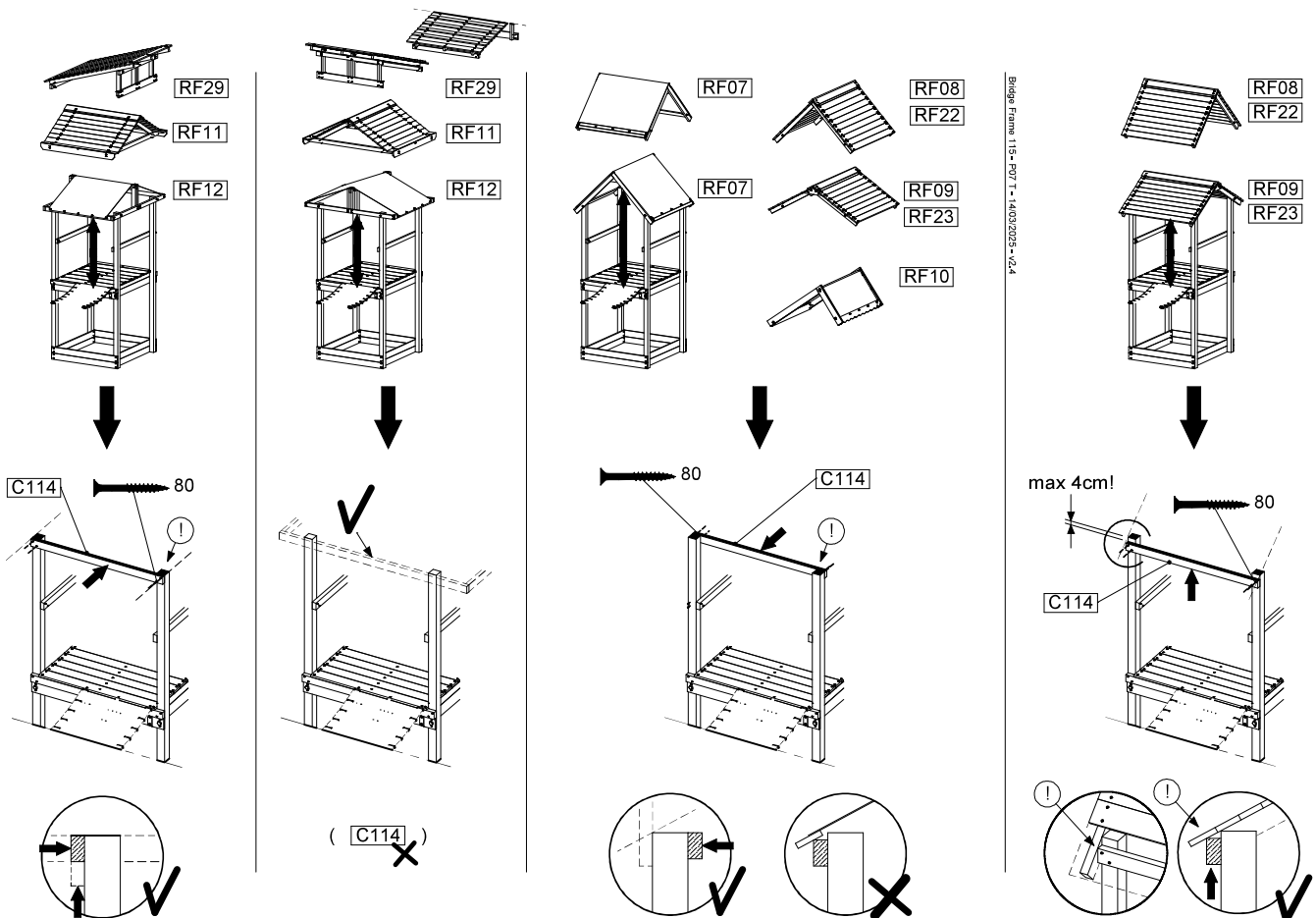
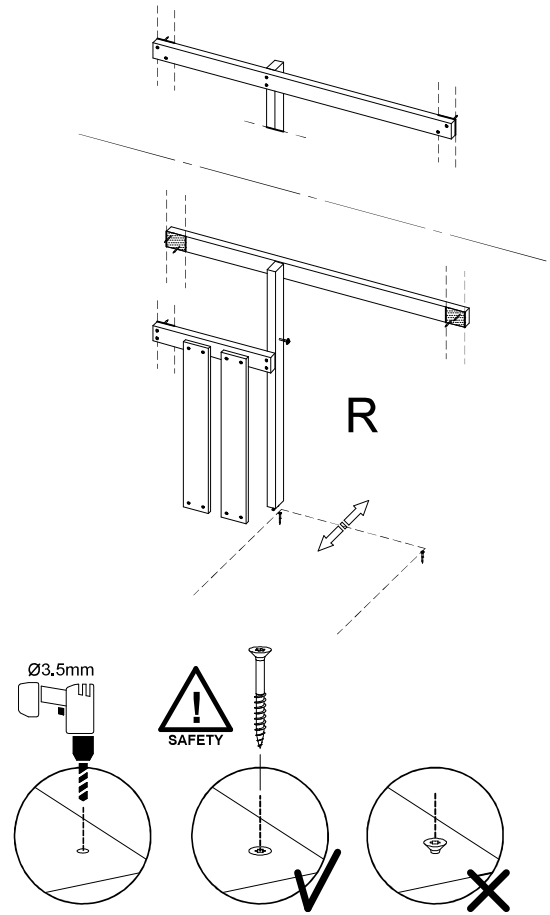


9 BF04a: Bridge Frame 115 T Right

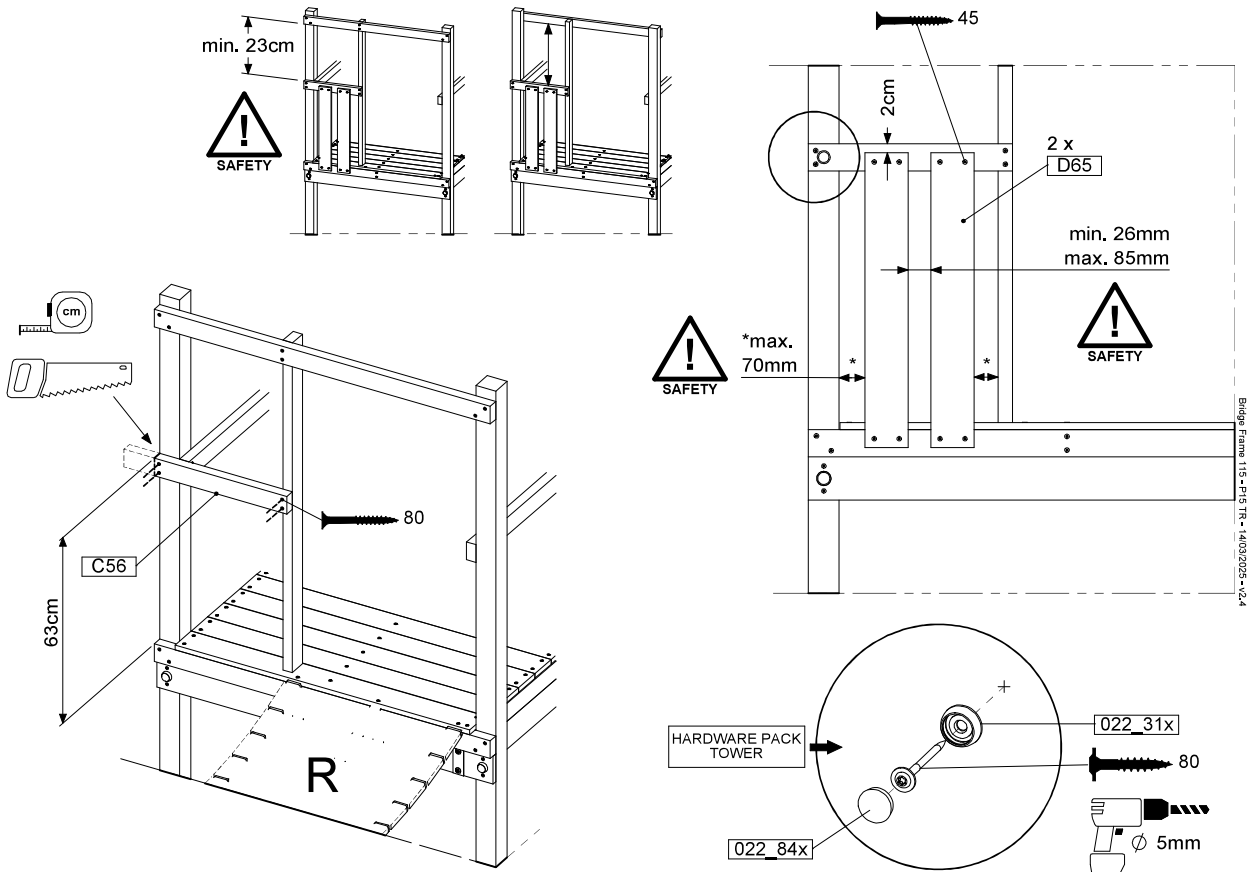
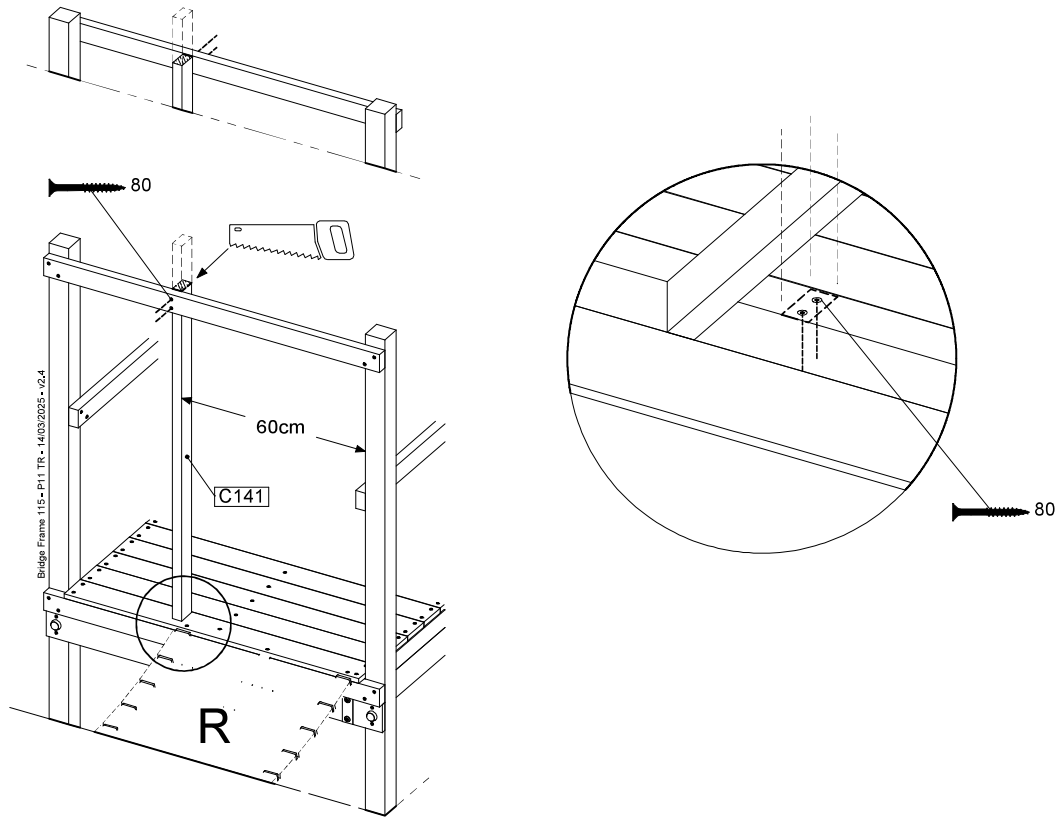
Assembly Pack: 194_007 (a) / 194_802(b)

	PartNo	PartName	QTY.
Hardware + Parts	001_411	Stealth Screw 8x60	1
	002_220	Gap Point Screw T25 - 5x45	10
	002_223	Gap Point Screw T25 - 5x80	12
Timber	C56	Beam 560 mm	1
	C114	Beam 1140 mm	1
	C141	Beam 1410 mm	1
	D65	Board 650 mm	2

Bridge Frame 115 - R05 TR - 14/03/2025 - v2.4



Bridge Frame 115 - R07 - 14/03/2025 - v2.4

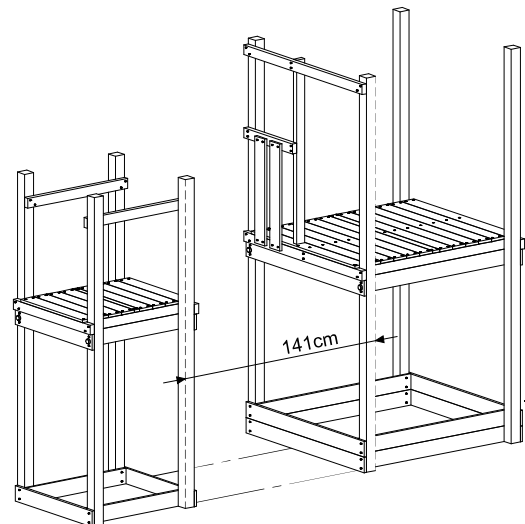
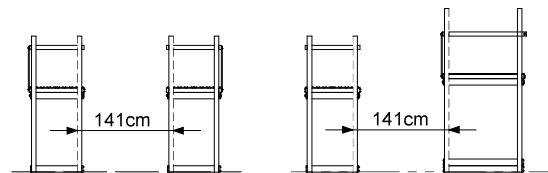
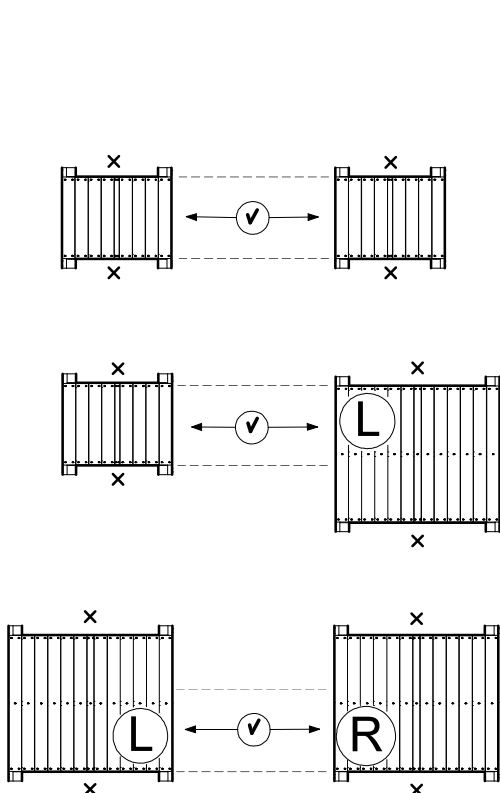
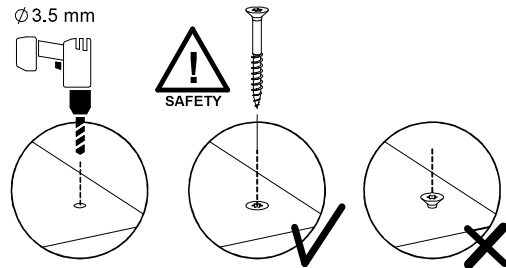
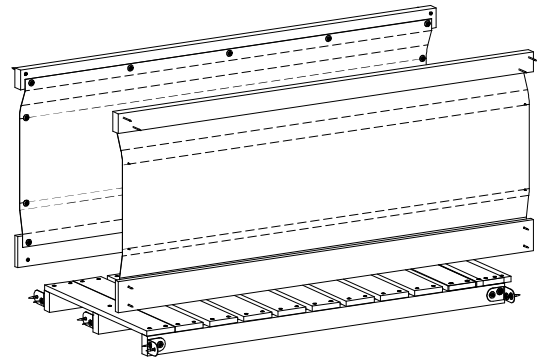


10 BB02a: Boardwalk Bridge T

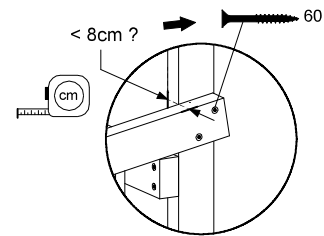
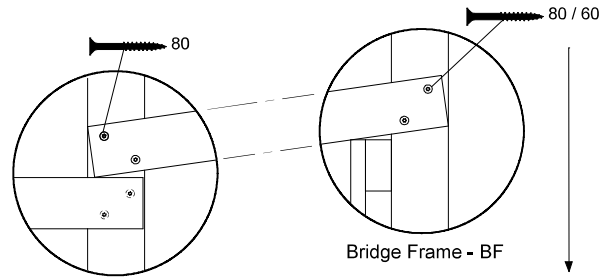
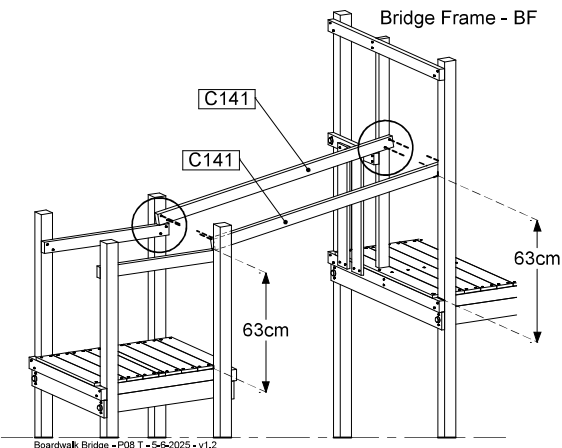
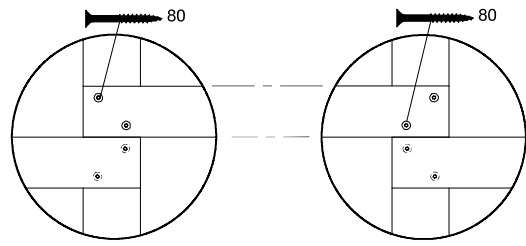
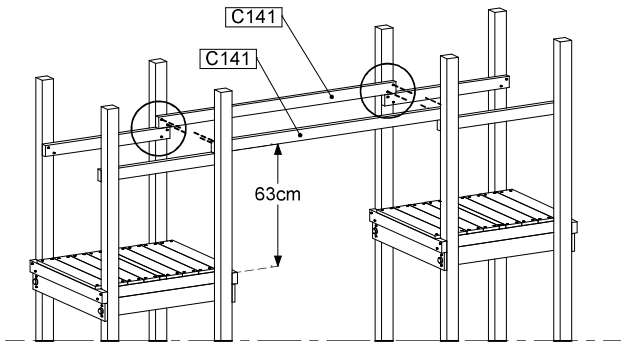
Assembly Pack: 194_812

	PartNo	PartName	QTY.
Hardware + Parts	001_404	Stealth Screw 8x30	12
	001_411	Stealth Screw 8x60	2
	001_417	Stealth Screw 8x80	4
	002_219	Gap Point Screw T25 - 5x30	12
	002_220	Gap Point Screw T25 - 5x45	73
	002_222	Gap Point Screw T25 - 5x60	4
	002_223	Gap Point Screw T25 - 5x80	8
	002_308	Gap Point Screw T25 - 5x20	28
	023_031	Finishing Washer GPS 5.0	28
	005_522	Connection Bracket Mini Market	6
	021_512	Mesh green 1,20 x 1,85m	1
Timber	C141	Beam 1410 mm	5
	D60	Board 600 mm	13
	D141	Board 1410 mm	2

Boardwalk Bridge - P02 Unit - 545-025 - v1.2

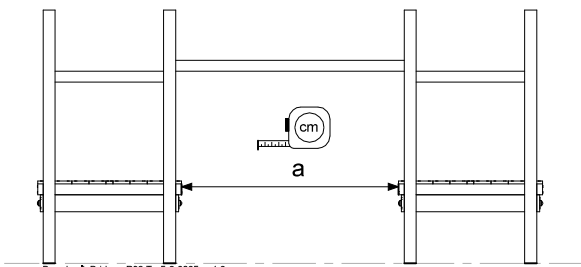


Boardwalk Bridge - P04 T - 545-025 - v1.2

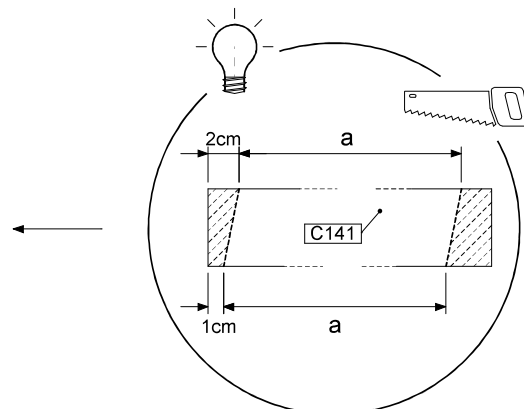
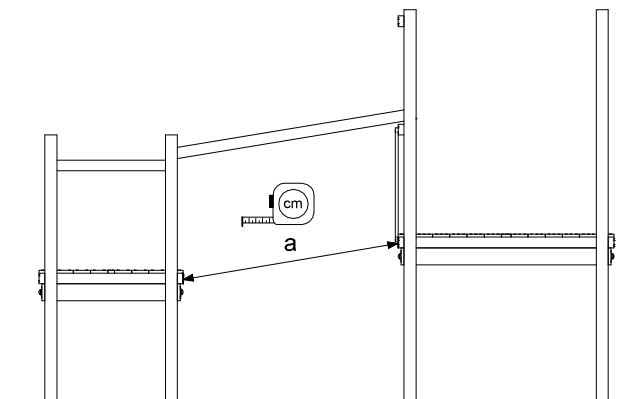
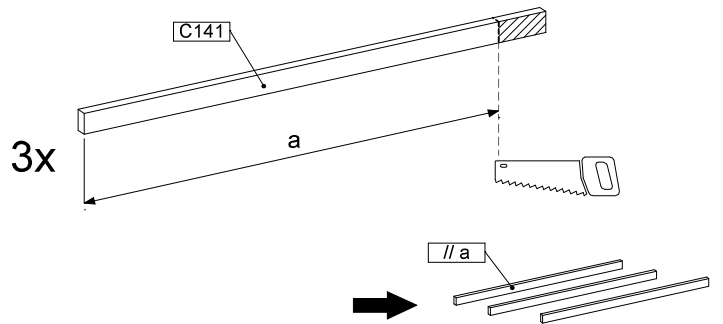


Boardwalk Bridge - P08 T - 5-6-2025 - v1.2

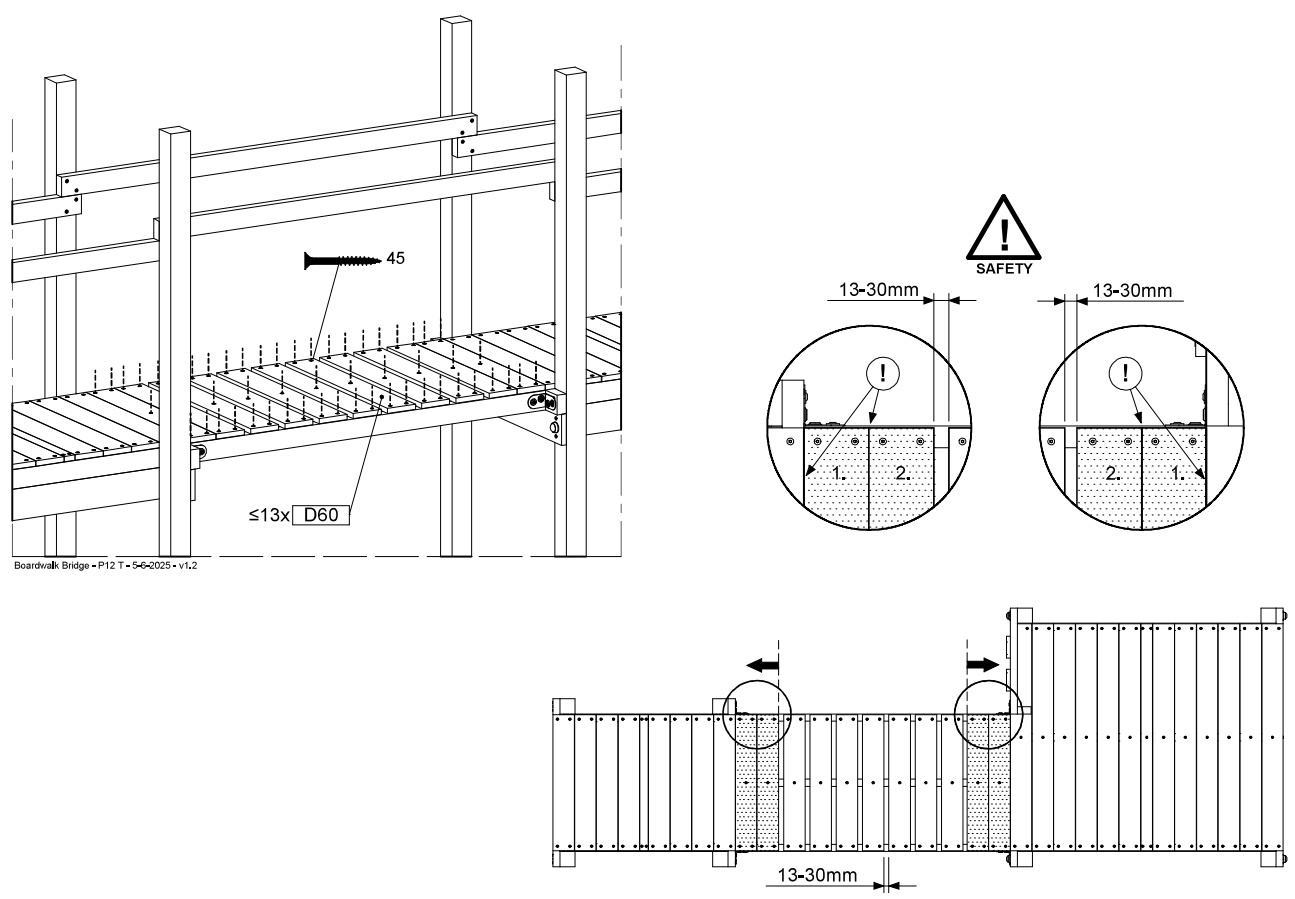
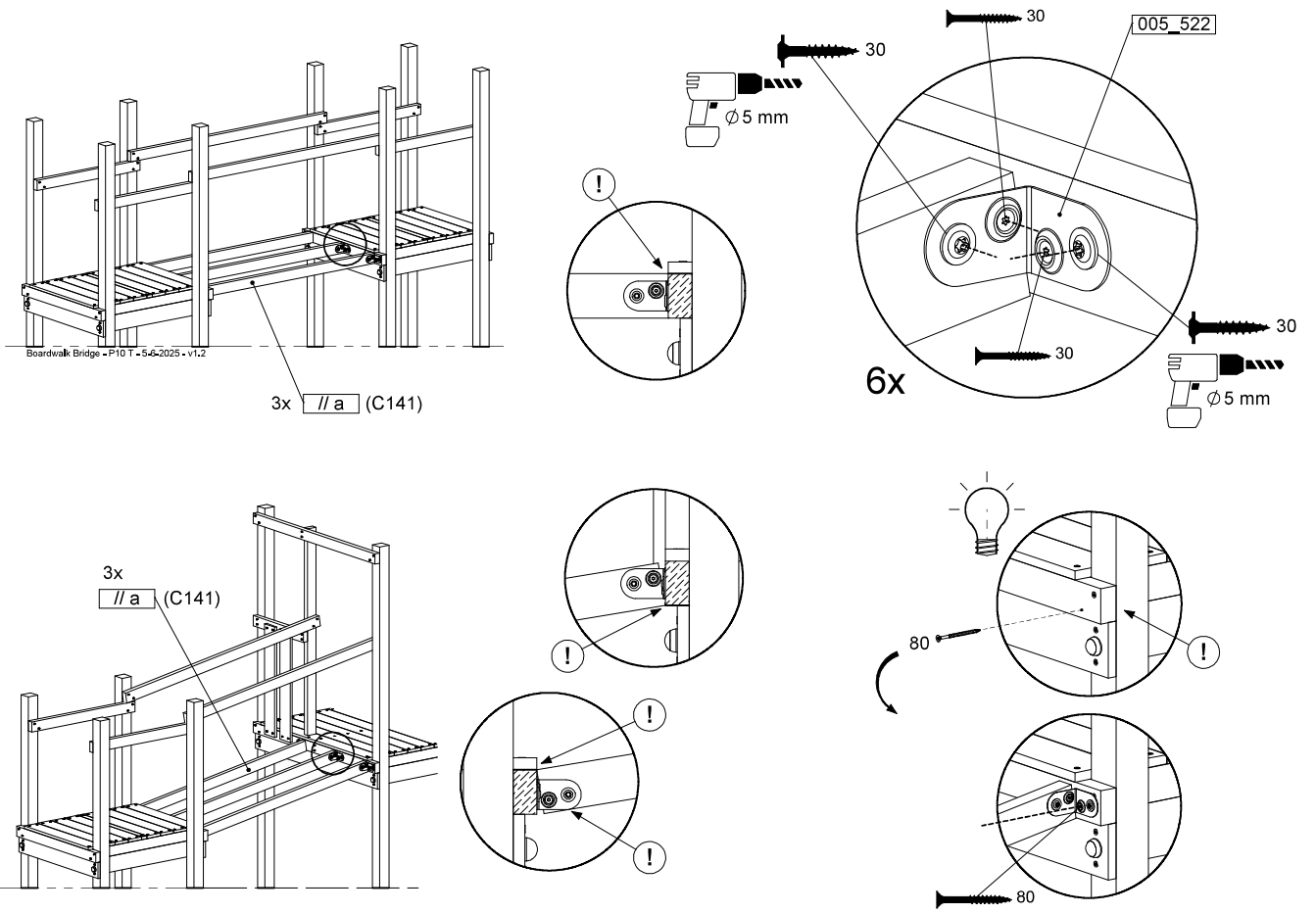
Manual ID: 048_071_2613



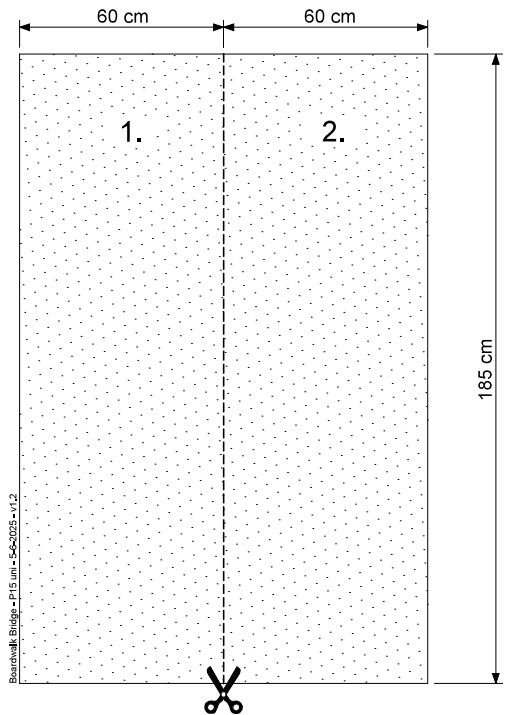
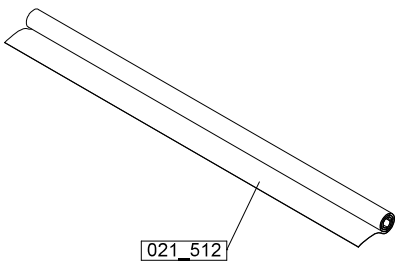
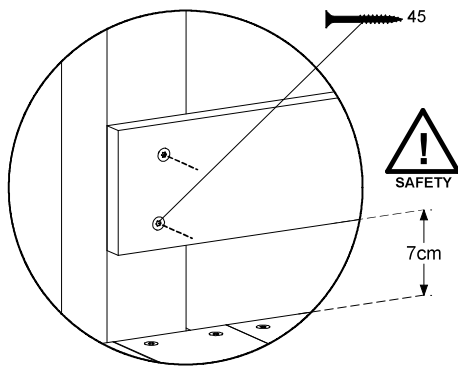
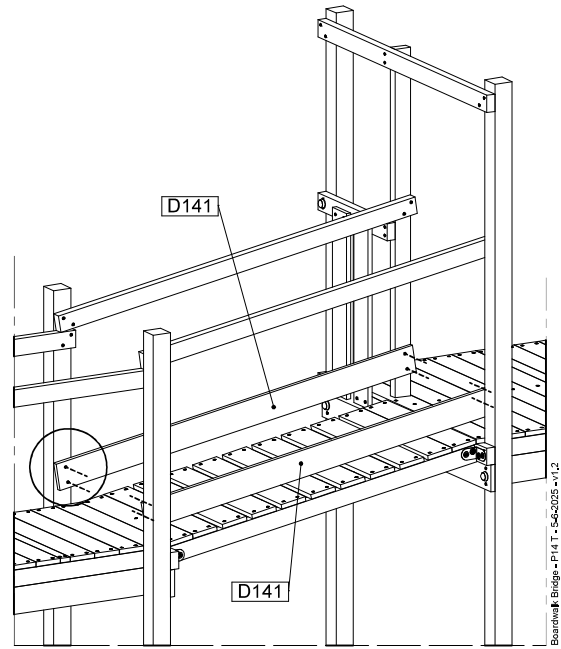
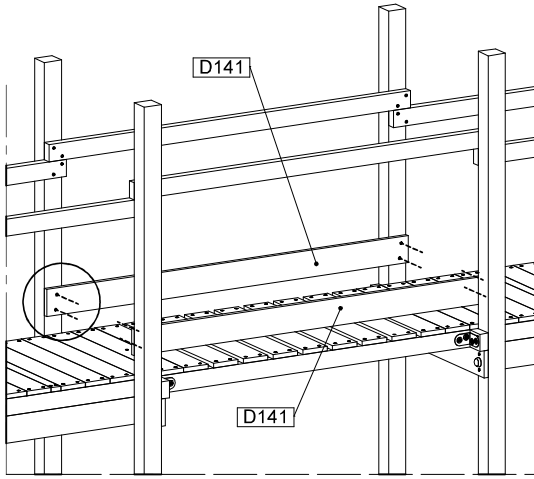
Boardwalk Bridge - P09 T - 5-6-2025 - v1.2



10.2

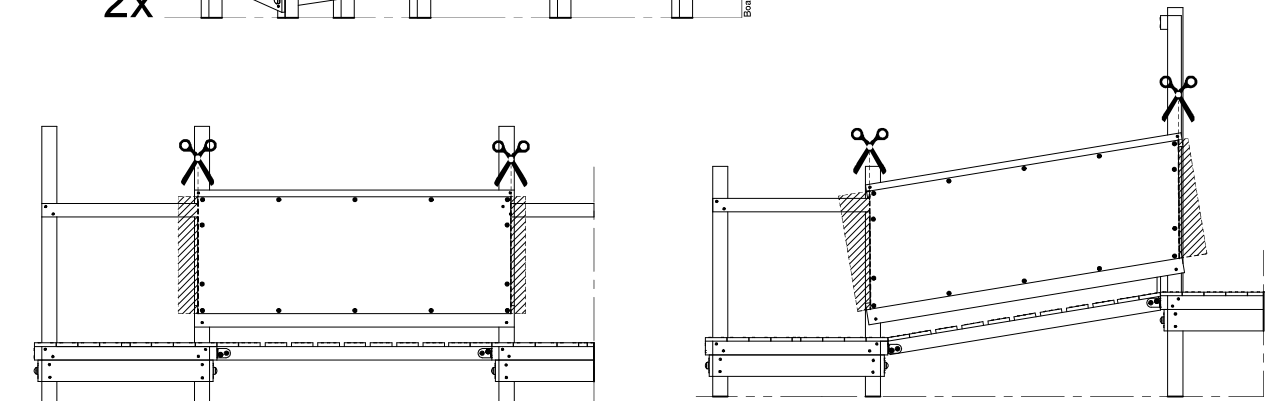
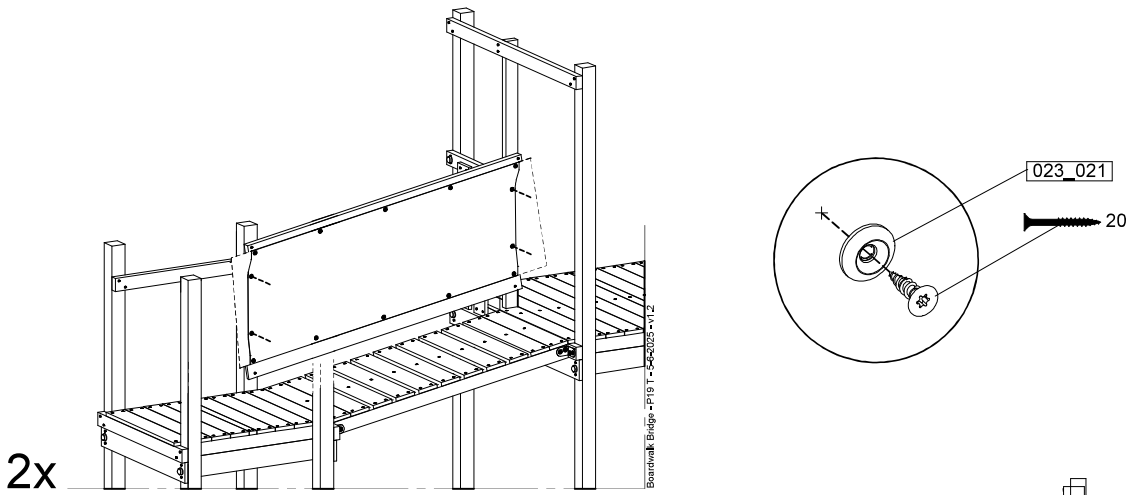
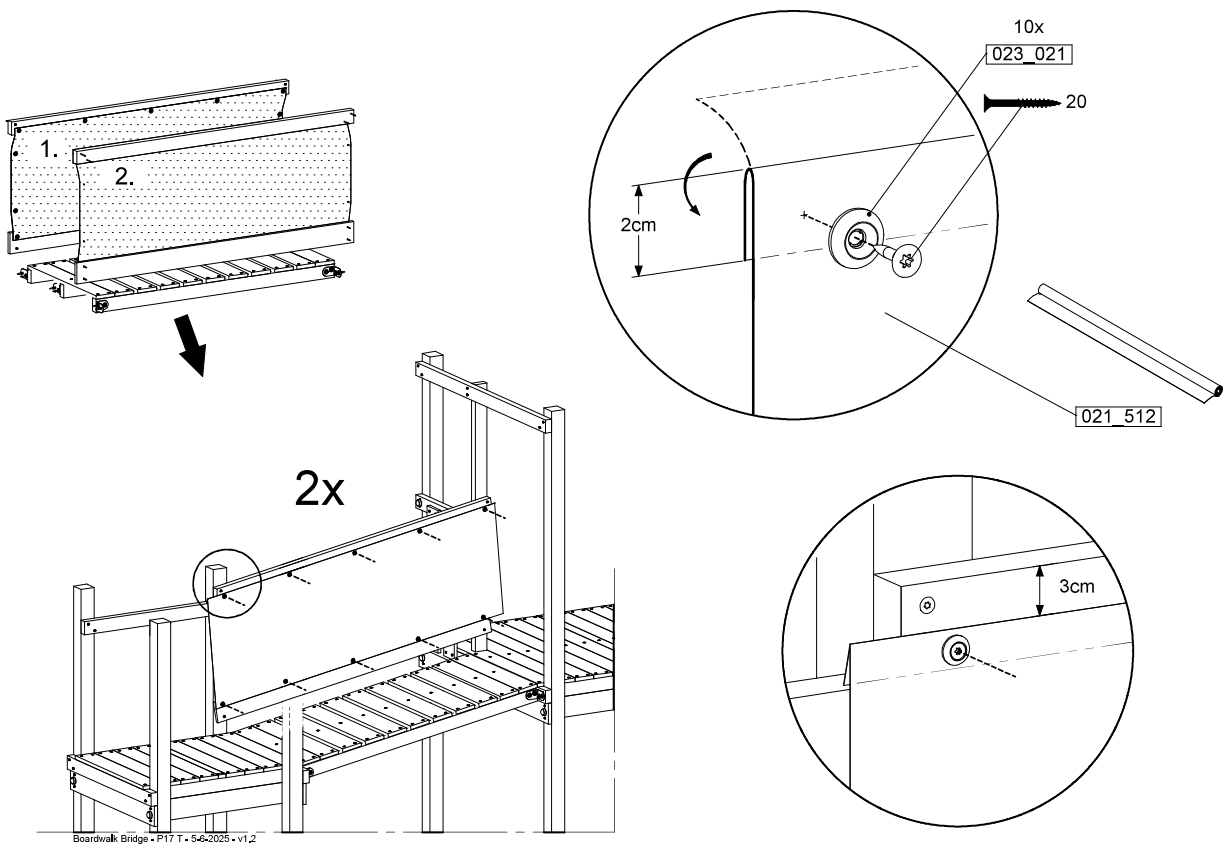


10.3



(Mesh Green sheet 120 x 185 cm)

10.4

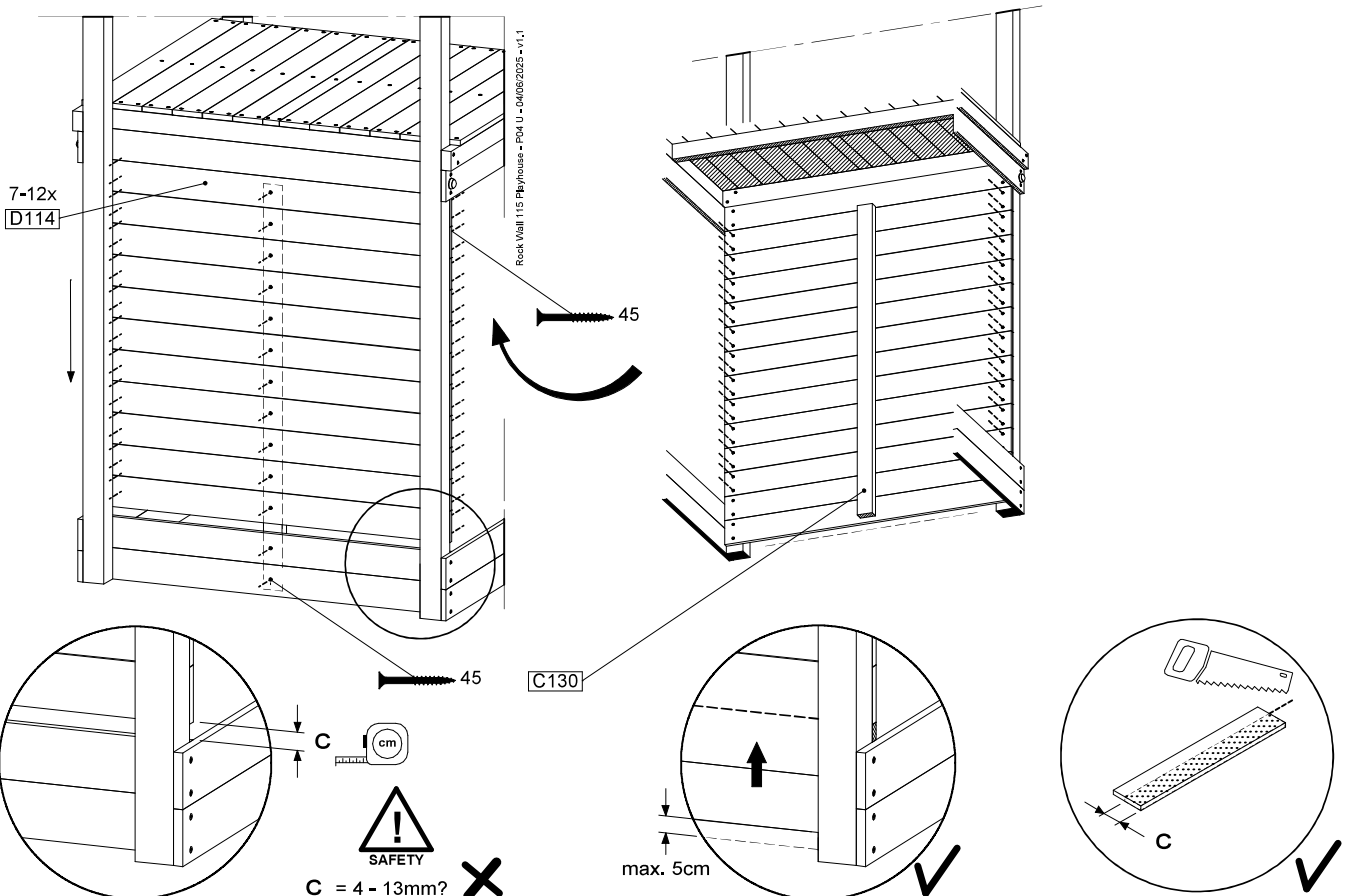
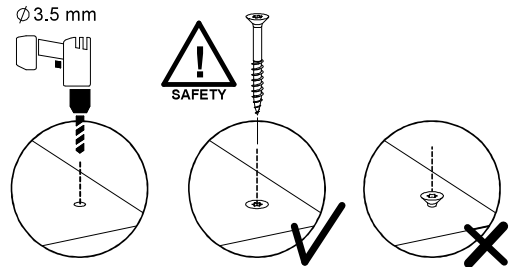
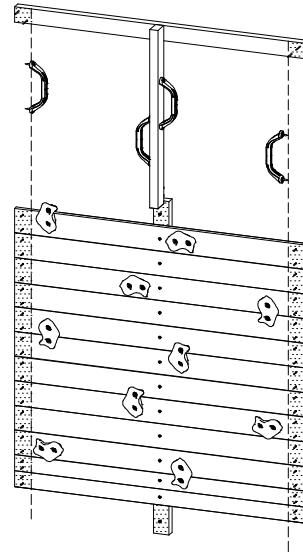


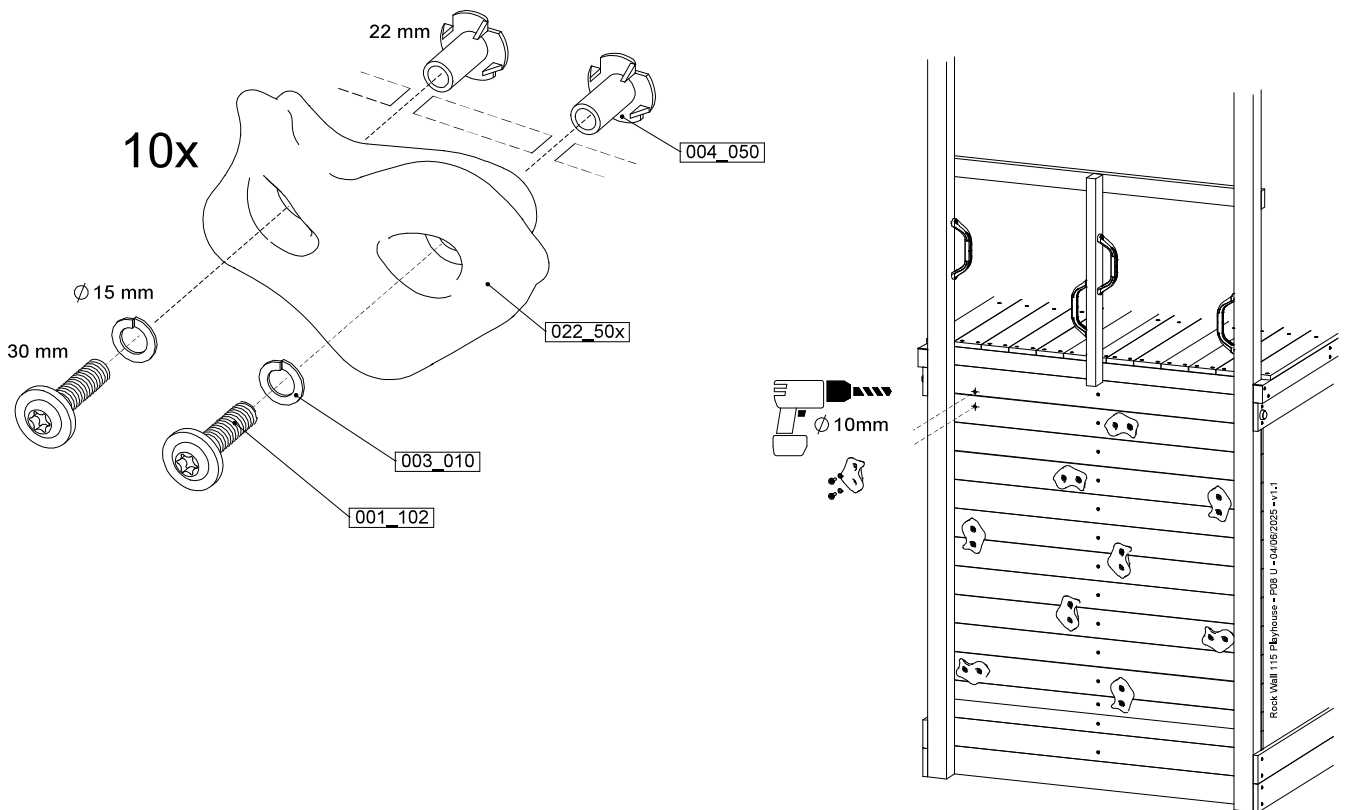
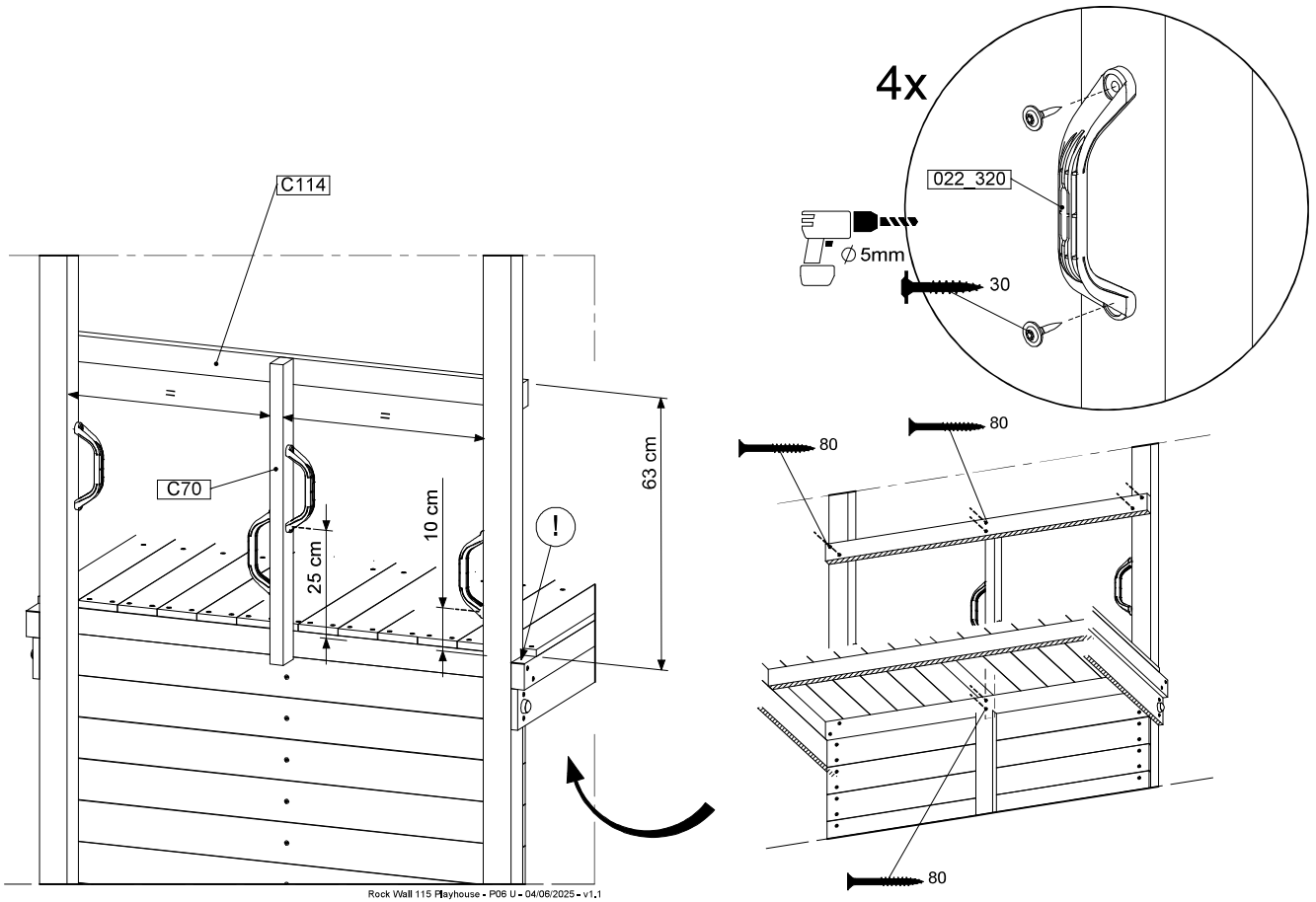
11 RW40a: Rock wall 115 Playhouse U

Assembly Packs: 194_006 (2x)

	PartNo	PartName	QTY.
Hardware + Parts	001_102	Washer Head Screw T40 M8x30	20
	002_220	Gap Point Screw T25 - 5x45	62
	002_223	Gap Point Screw T25 - 5x80	8
	003_010	M8 spring lock washer	20
	004_050	M8 Drive-in Nut 22mm	20
	022_50x	Climbing Rock	10
	120_102	Handgrip set (complete 2x)	2
Timber	C70	Beam 700 mm	1
	C114	Beam 1140 mm	1
	C130	Beam 1300 mm	1
	D114	Board 1140 mm	12

Rock Wall 115 Playhouse - P02 U - 04/06/2025 - v1.1



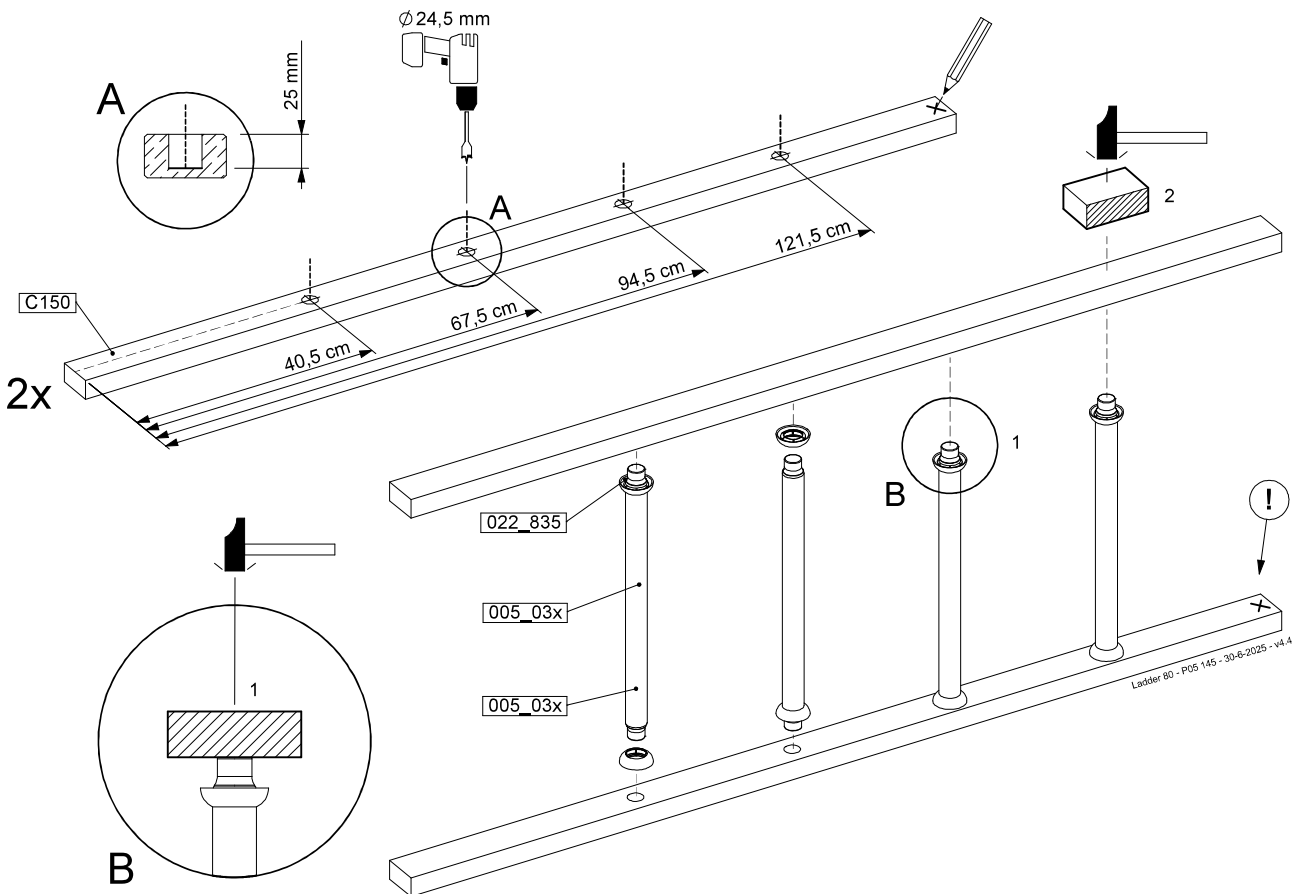
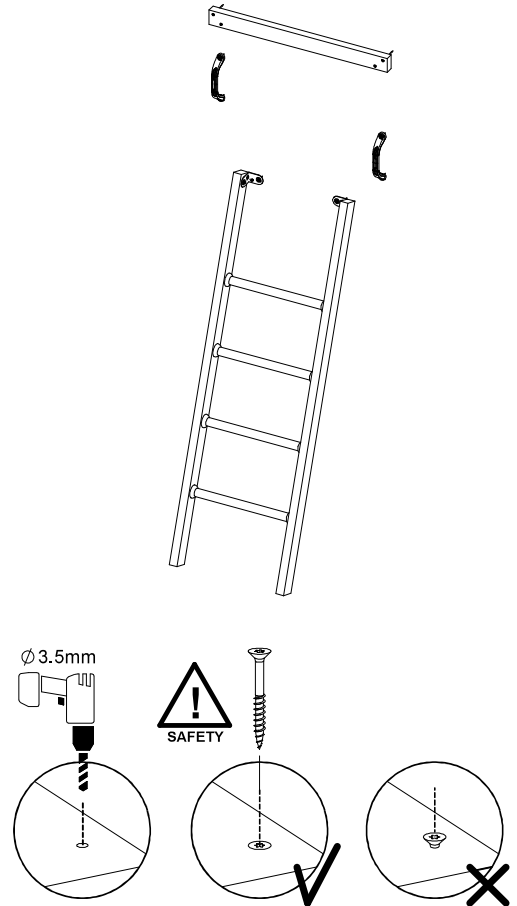


12 LA03a: Ladder 80 145 U

Assembly Pack: 194_103 (LA0xa) / 194_003 (LA0xb)

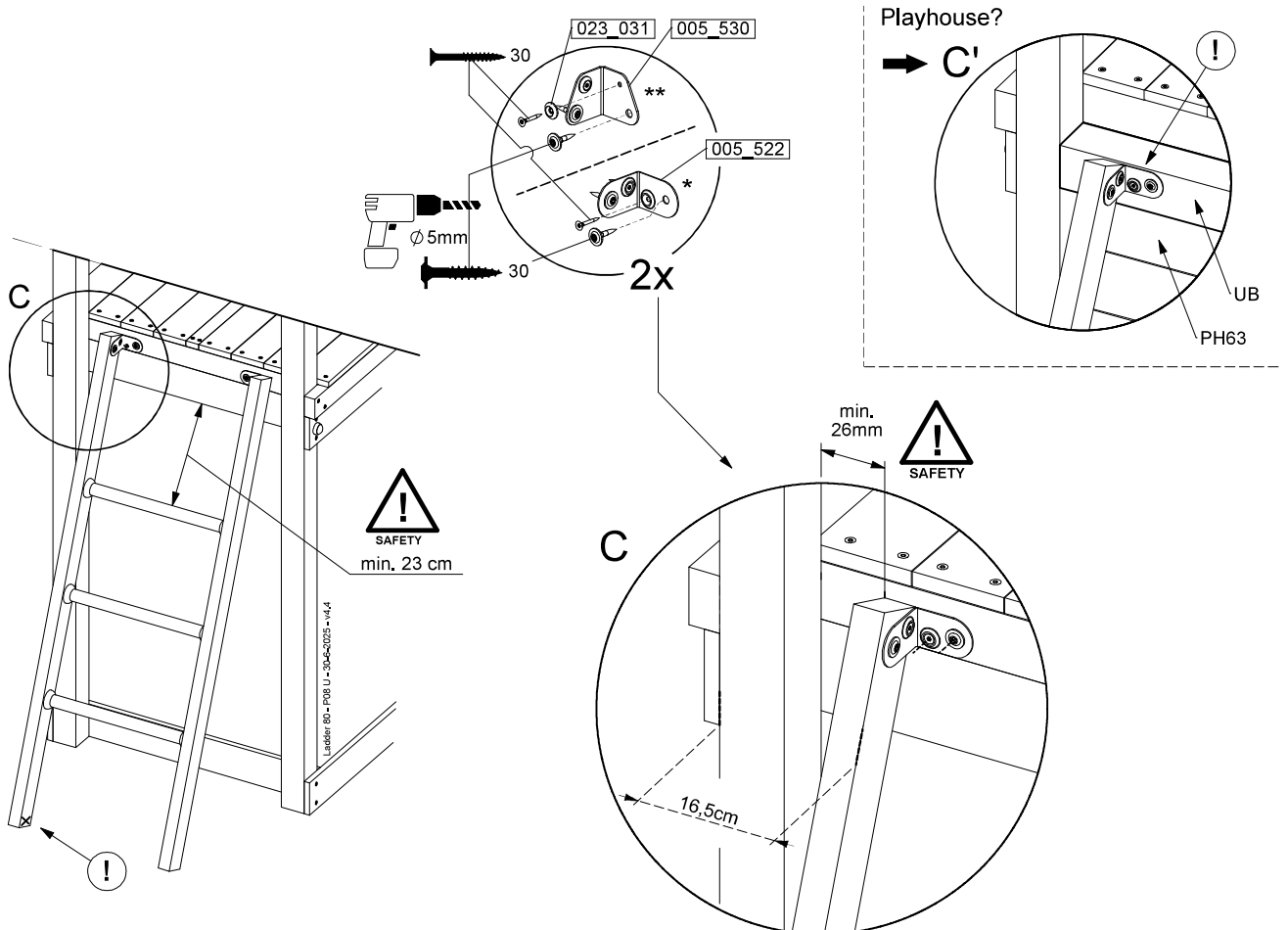
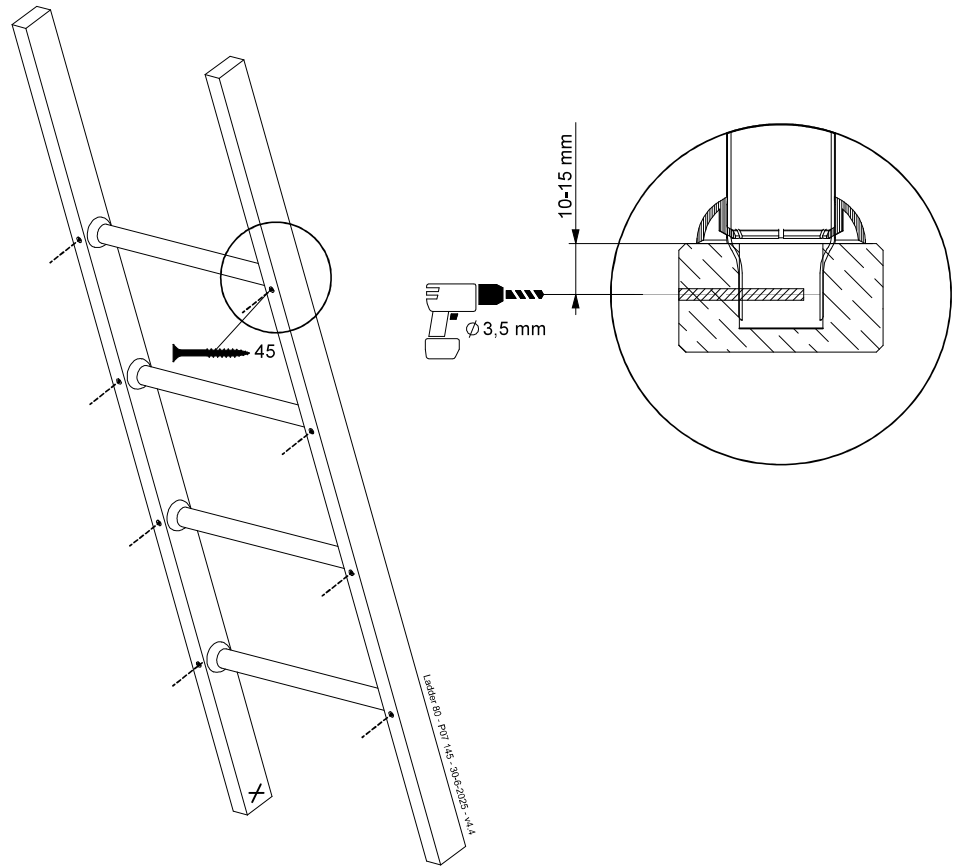
	PartNo	PartName	QTY.
Hardware + Parts	001_404	Stealth Screw 8x30	4
	002_219	Gap Point Screw T25 - 5x30	4
	002_220	Gap Point Screw T25 - 5x45	8
	002_223	Gap Point Screw T25 - 5x80	4
	005_03x	Ladder Rung Y/B/G/R	4
	005_522* /	Connection Bracket Mini Market * /	2
	005_530**	Connection Bracket Ladder ** + 2x 023_031 Finishing Washer GPS 5.0	
		022_835	Rung Cap
	120_102	Handgrip set (2x Complete)	1
Timber	C74	Beam 740 mm	1
	C150	Beam 1500 mm	2

Ladder 80 - P05 145 - 30-6-2025 - v4.4

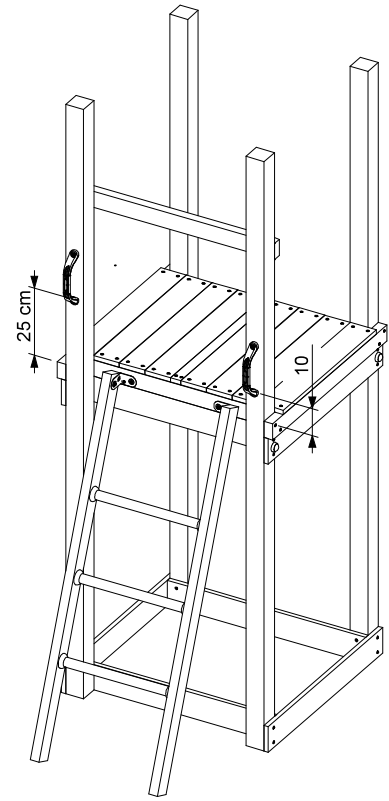
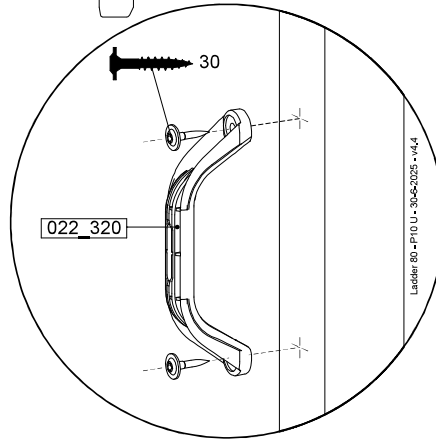
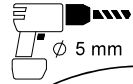
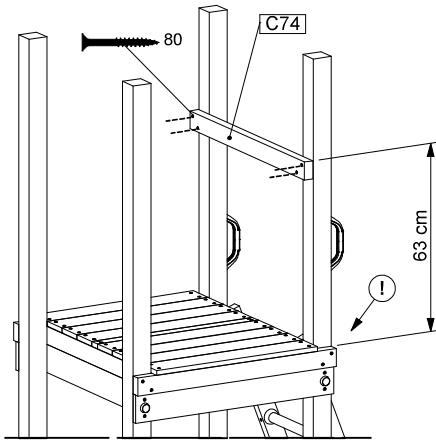


Ladder 80 - P05 145 - 30-6-2025 - v4.4

Manual ID: 048_071_2613



12.2

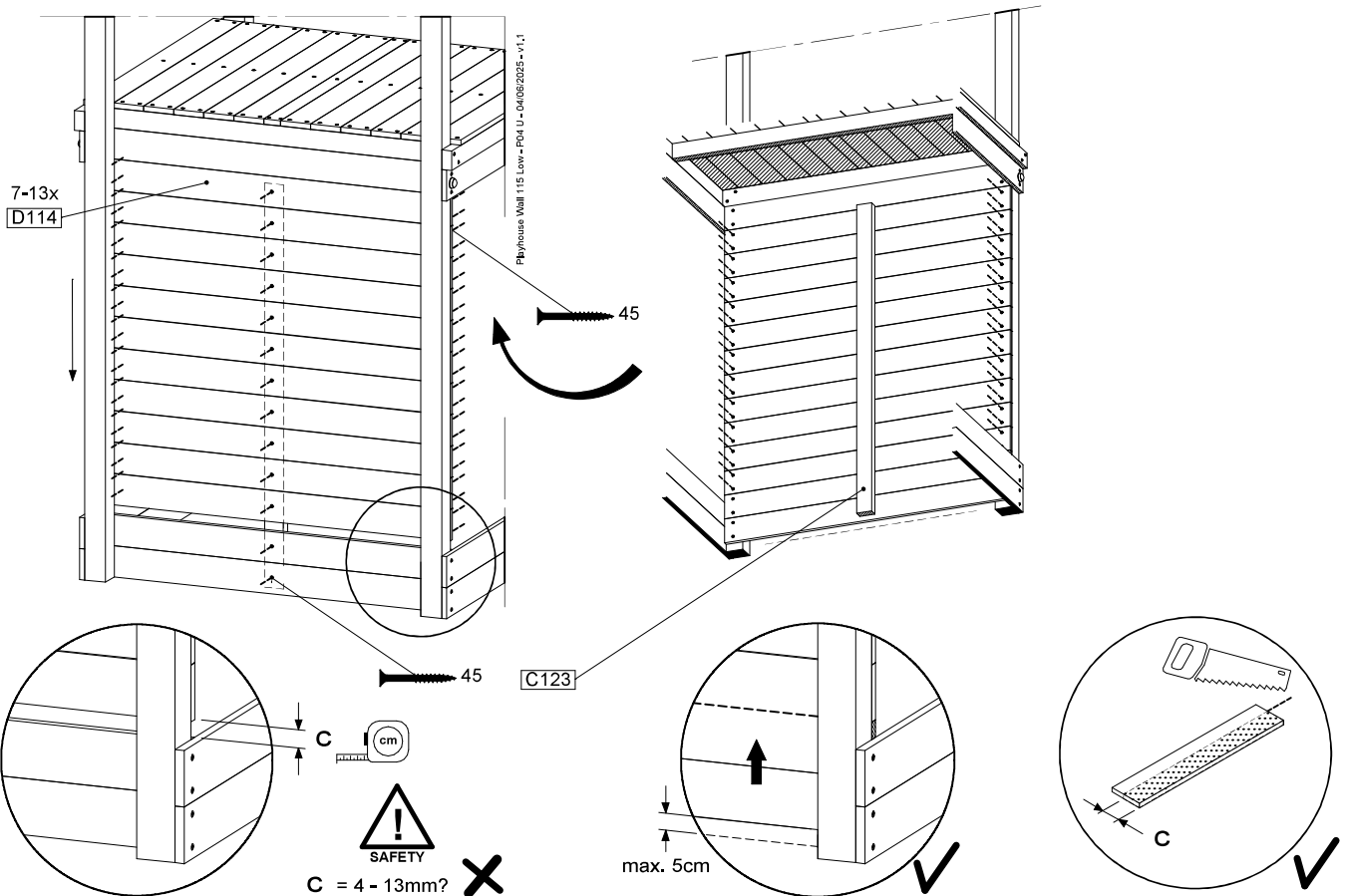
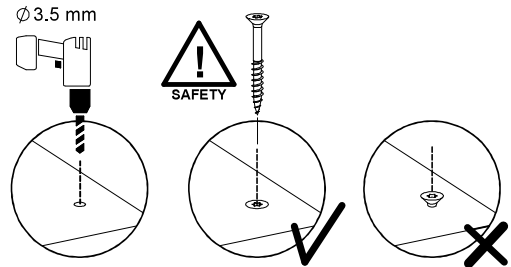
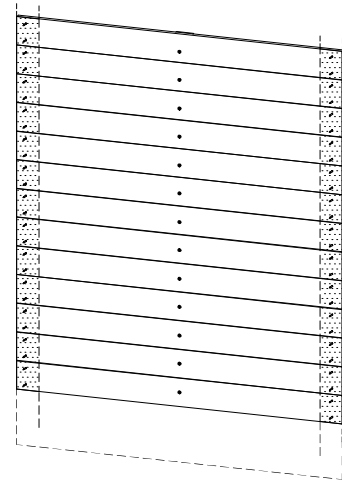


13 PH40a: Playhouse Wall 115 U Low

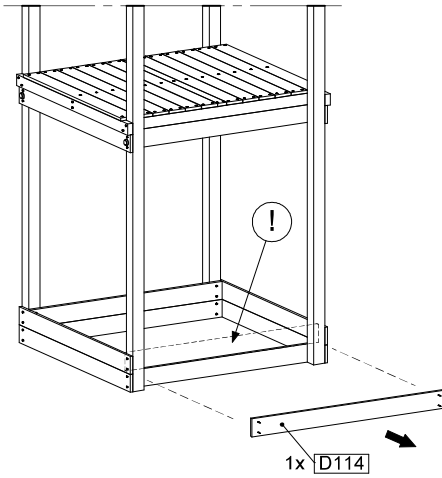
Assembly Pack: 194_809

	PartNo	PartName	QTY.
Hardware Pack	002_220	Gap Point Screw T25 - 5x45	70
	C123	Beam 1230 mm	1
Timber	D114	Board 1140 mm	14

Playhouse Wall 115 Low - P02 U - 04/06/2025 - v1.1



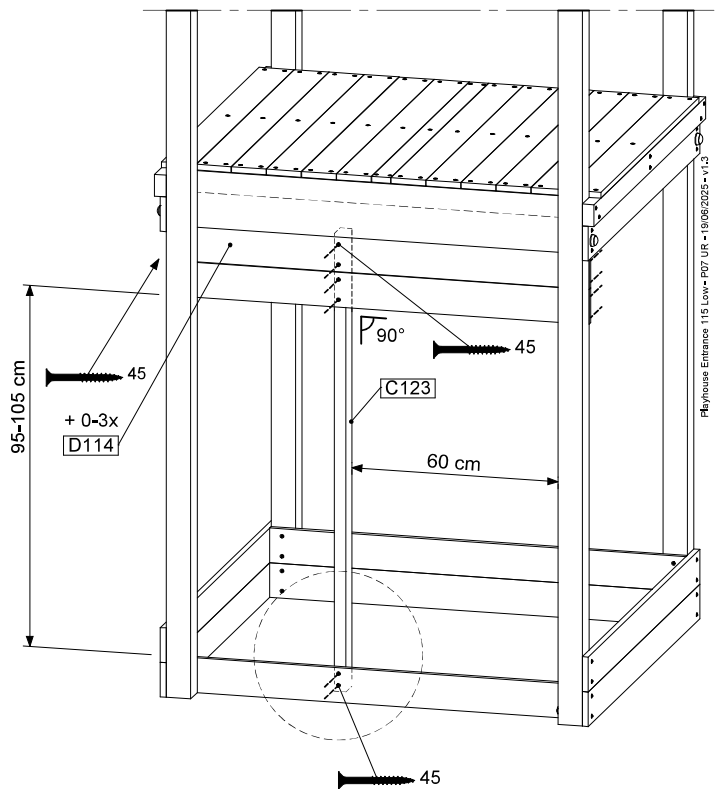
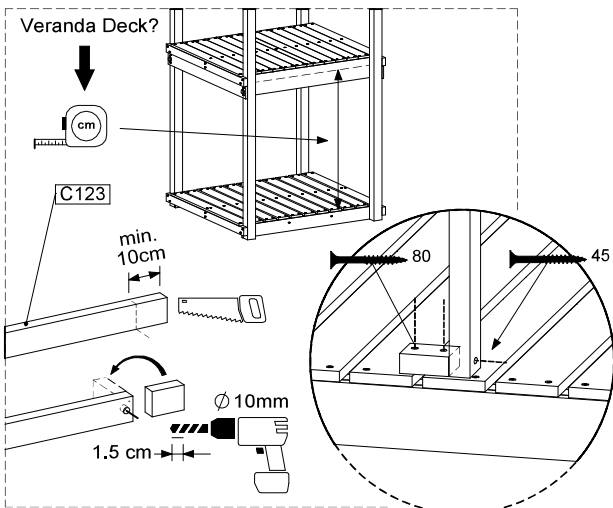
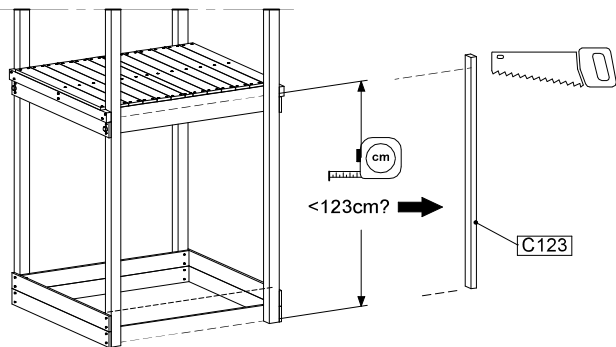
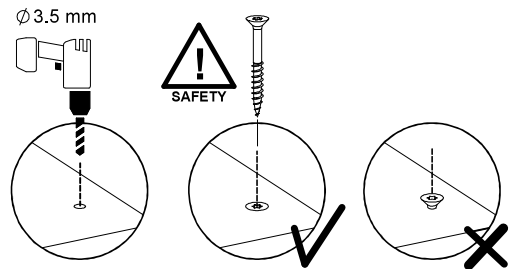
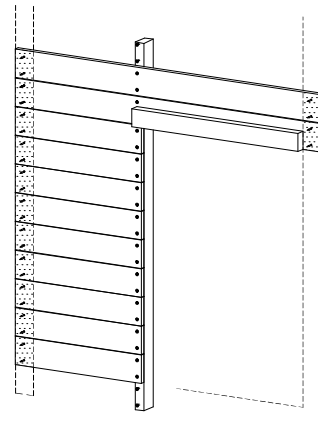
14 PH43a: Playhouse Entrance 115 UR Low



Assembly Pack: 194_809

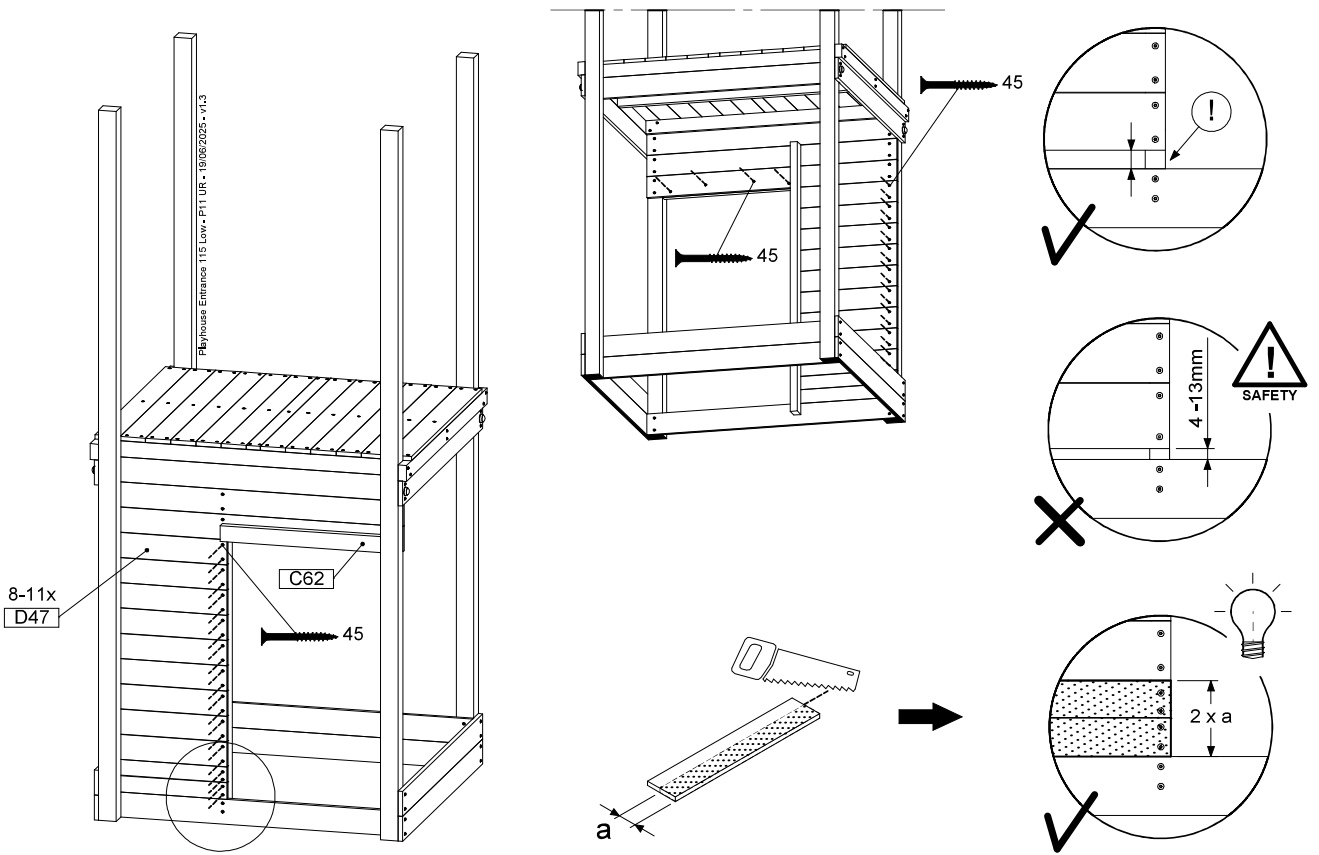
	PartNo	PartName	QTY.
Hardware Pack	002_220	Gap Point Screw T25 - 5x45	66
Timber	C62	Beam 620 mm	1
	C123	Beam 1230 mm	1
	D47	Board 470 mm	11
	D114	Board 1140 mm	3

Playhouse Entrance 115 Low-P03 UR - 19/06/2025 - v1.3



Playhouse Entrance 115 Low-P03 UR - 19/06/2025 - v1.3

14.1

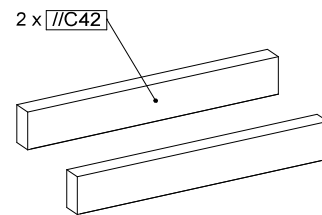
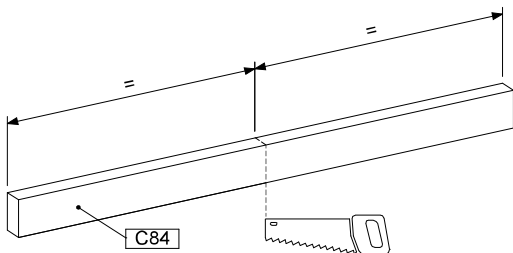
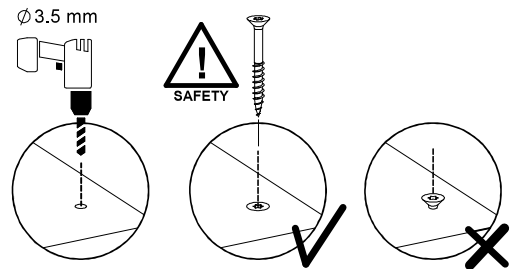
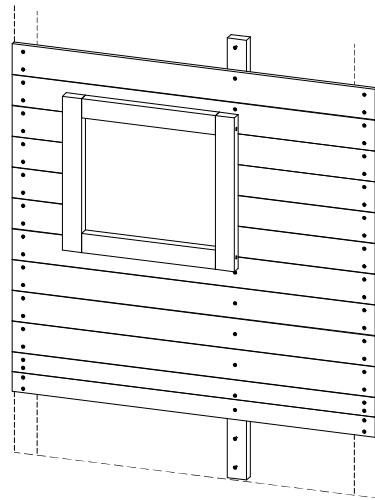


15 PH48b: Playhouse Window 115 TL Low

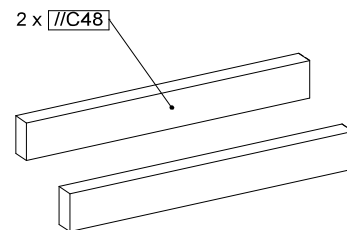
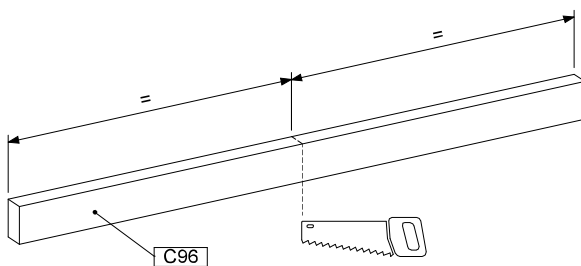
Assembly Pack: 194_508 / 194_804

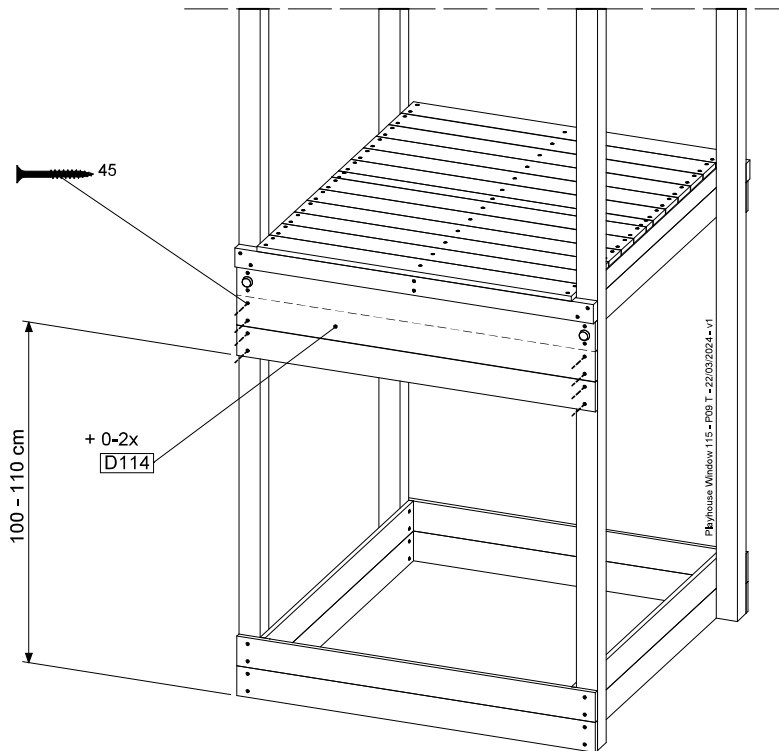
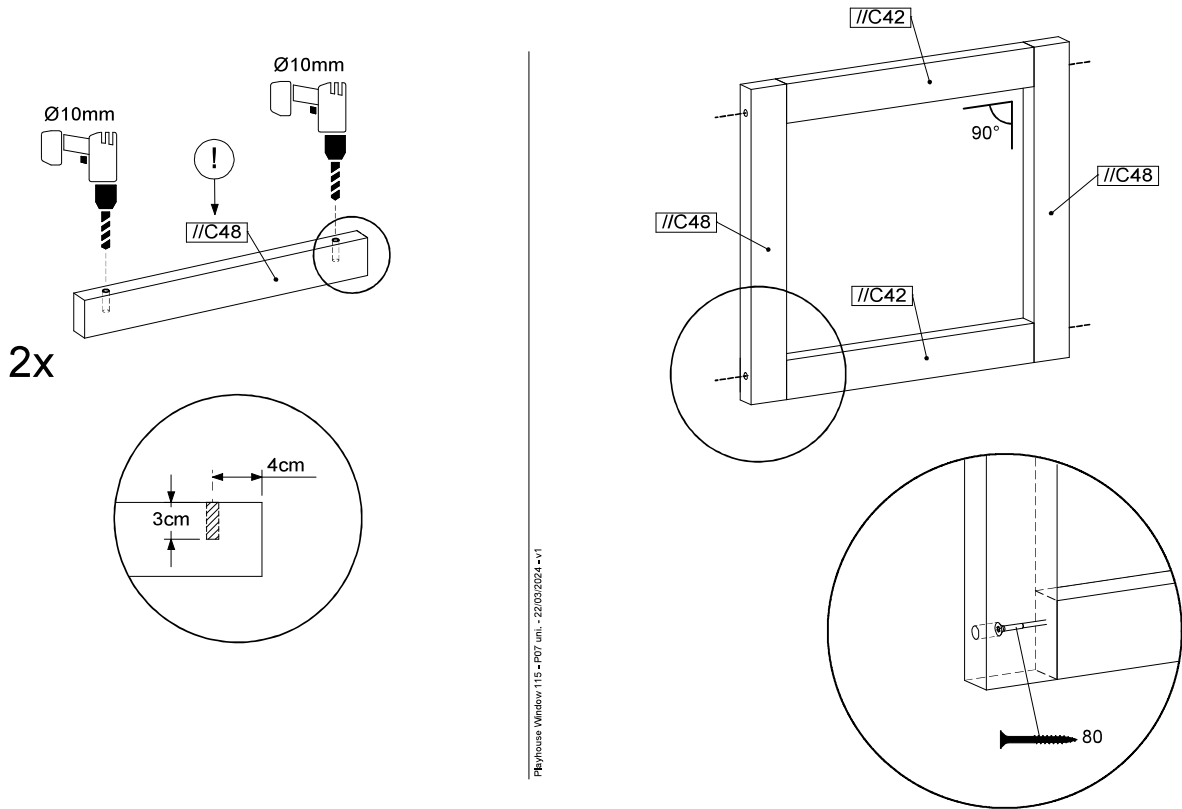
	PartNo	PartName	QTY.
Hardware Pack	002_220	Gap Point Screw T25 - 5x45	90
	002_223	Gap Point Screw T25 - 5x80	4
Timber	C84	Beam 840 mm	1
	C96	Beam 960 mm	2
	D21	Board 210 mm	4
	D47	Board 470 mm	4
	D114	Board 1140 mm	10

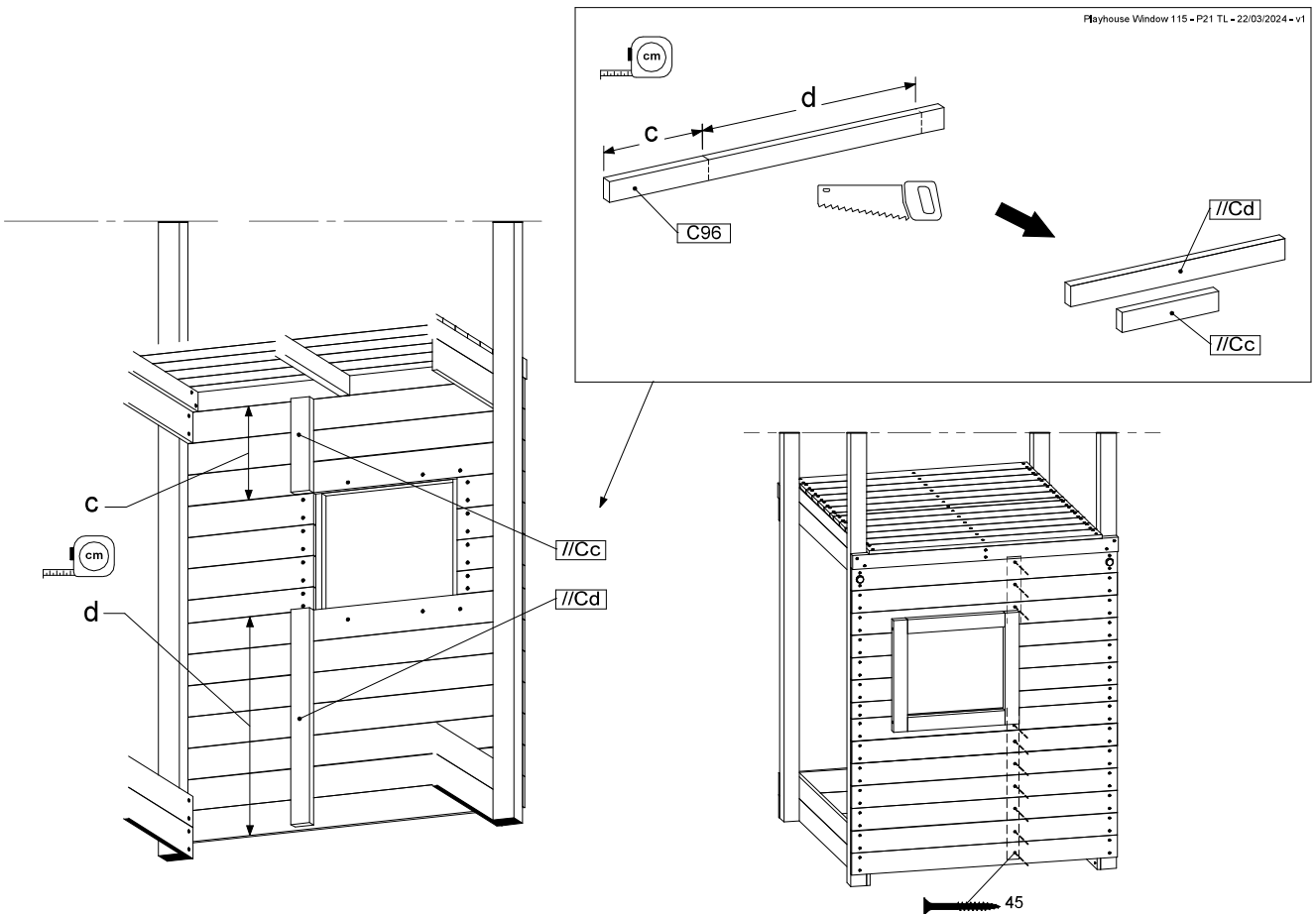
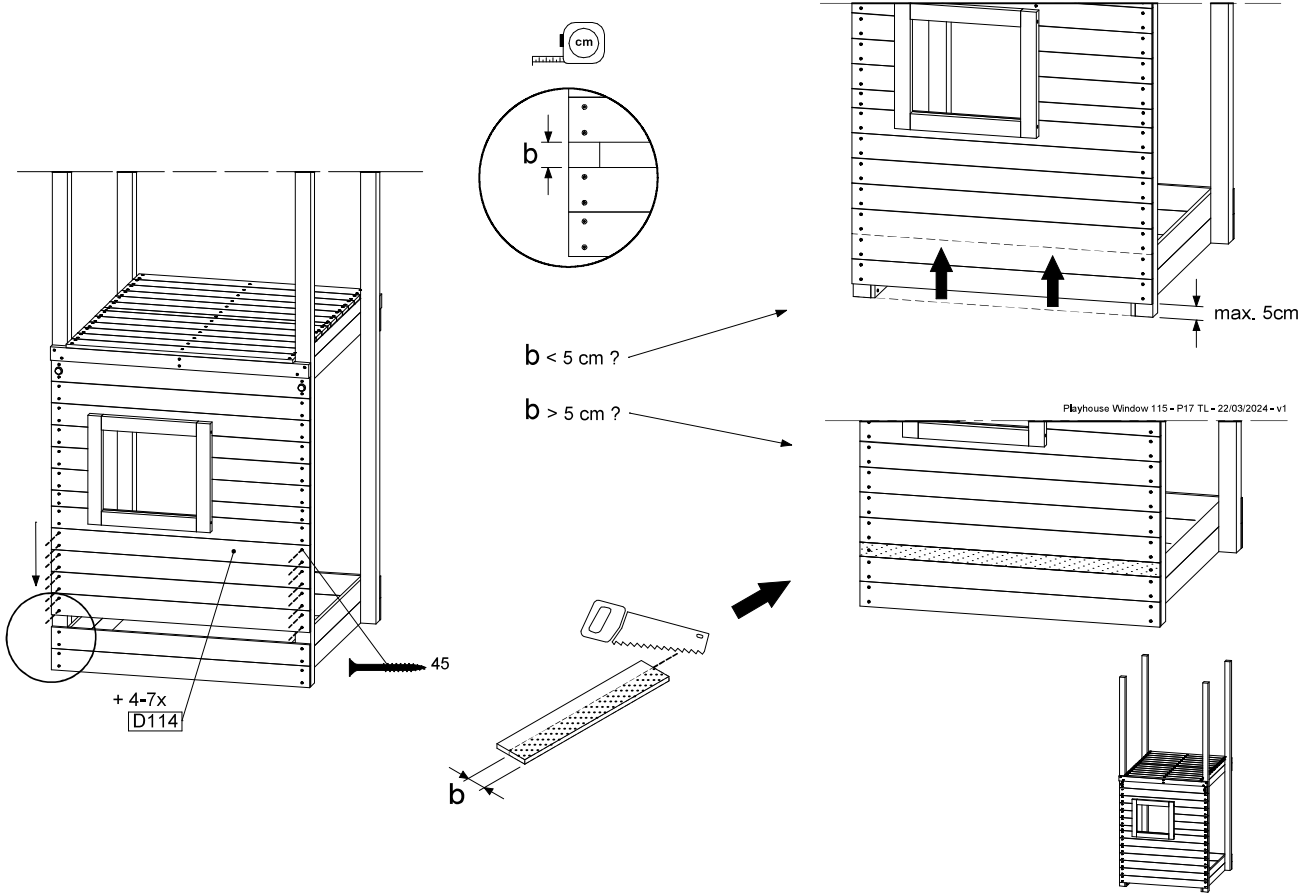
Playhouse Window 115 - P04 TL - 22/03/2024 - v1



Playhouse Window 115 - P06 uni. - 22/03/2024 - v1





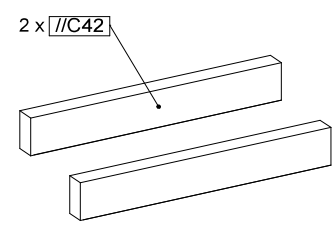
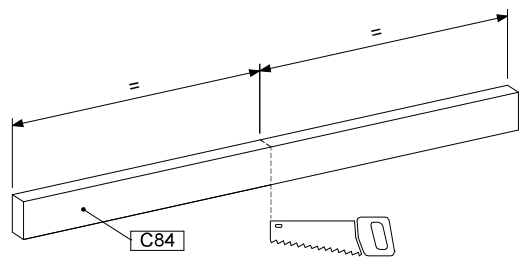
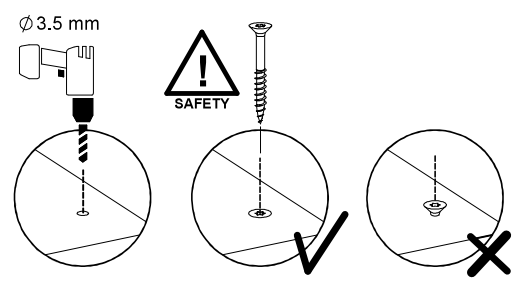
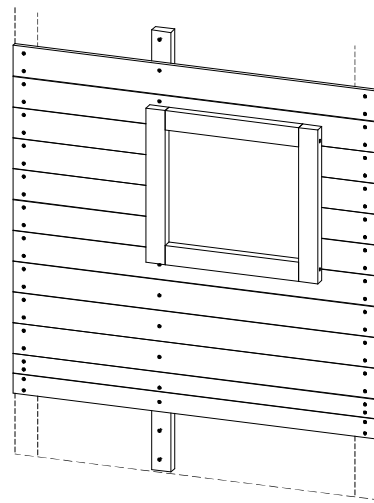


16 PH49b: Playhouse Window 115 TR Low

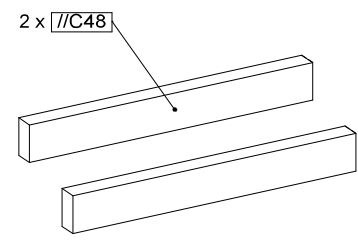
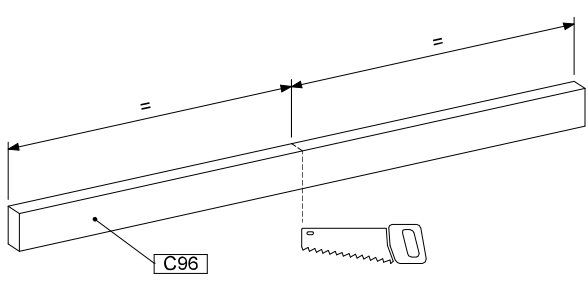
Assembly Pack: 194_508 / 194_804

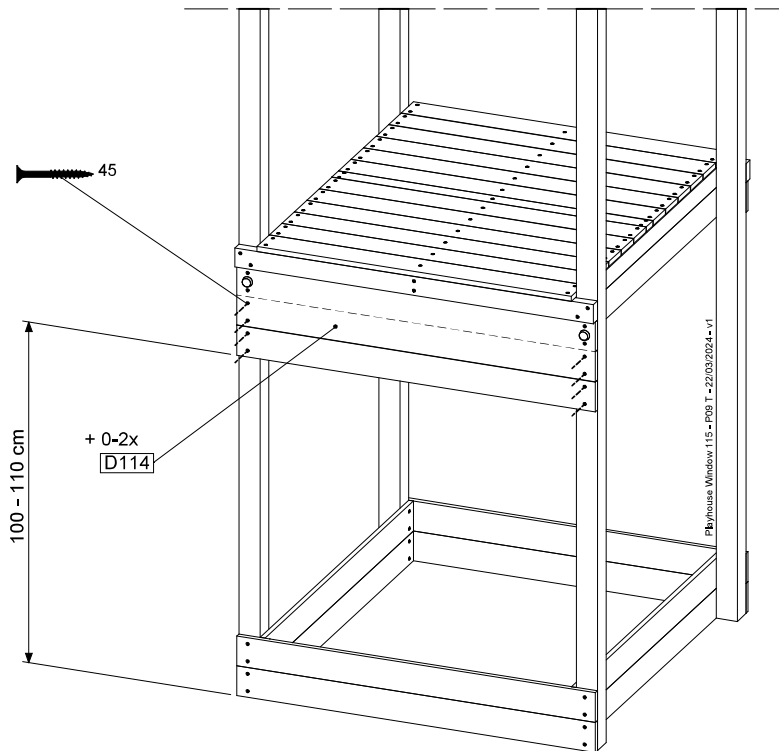
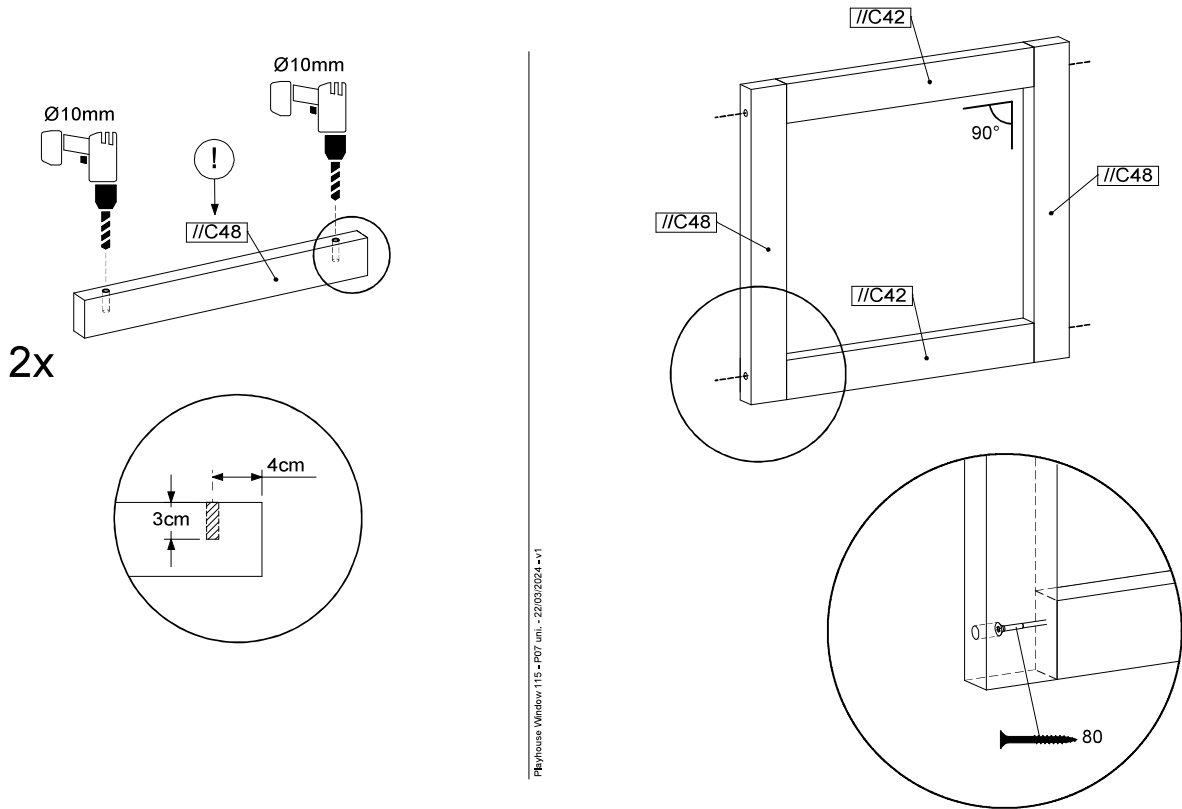
	PartNo	PartName	QTY.
Hardware Pack	002_220	Gap Point Screw T25 - 5x45	90
	002_223	Gap Point Screw T25 - 5x80	4
Timber	C84	Beam 840 mm	1
	C96	Beam 960 mm	2
	D21	Board 210 mm	4
	D47	Board 470 mm	4
	D114	Board 1140 mm	10

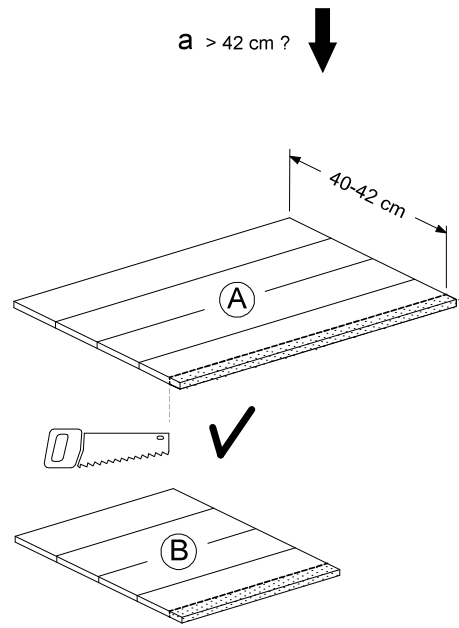
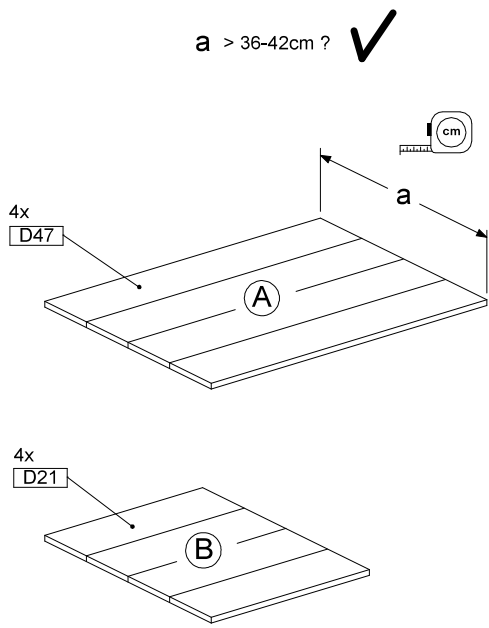
Playhouse Window 115 - P06 TR - 22/03/2024 - v1



Playhouse Window 115 - P06 uni. - 22/03/2024 - v1

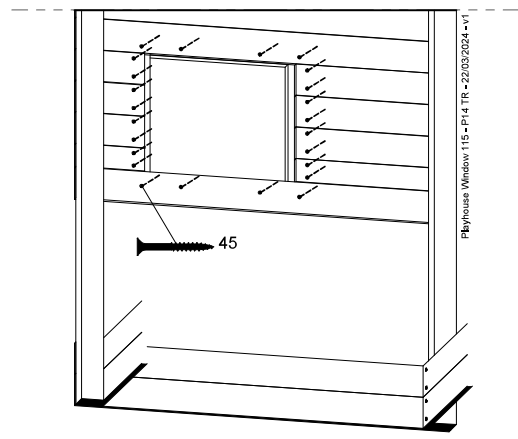
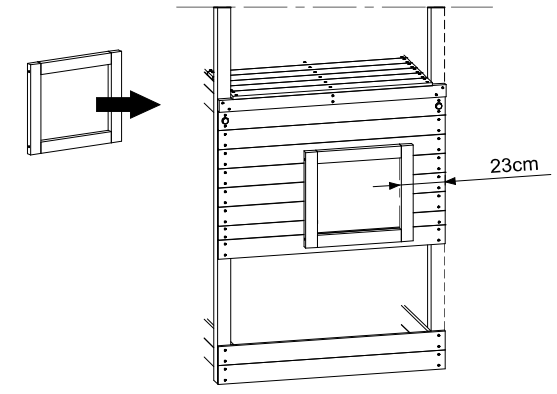
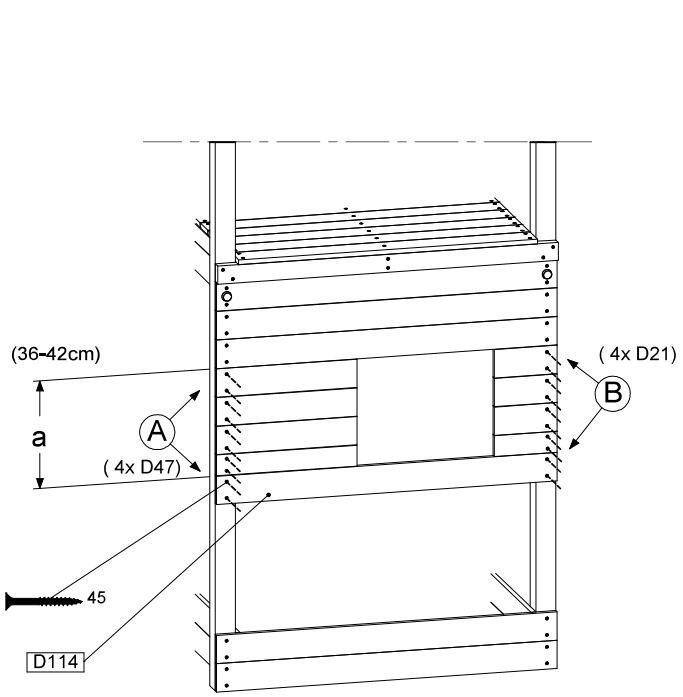


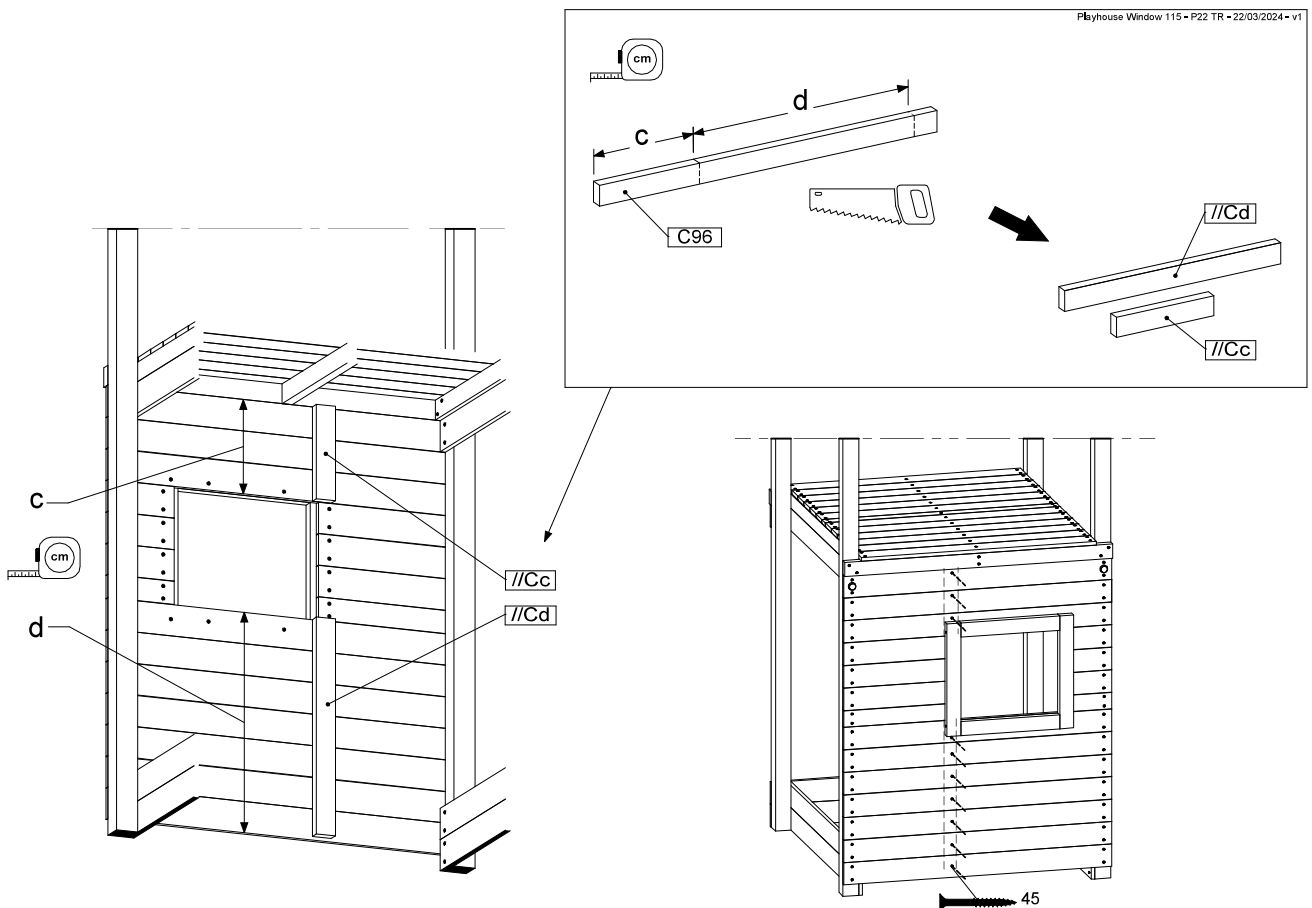
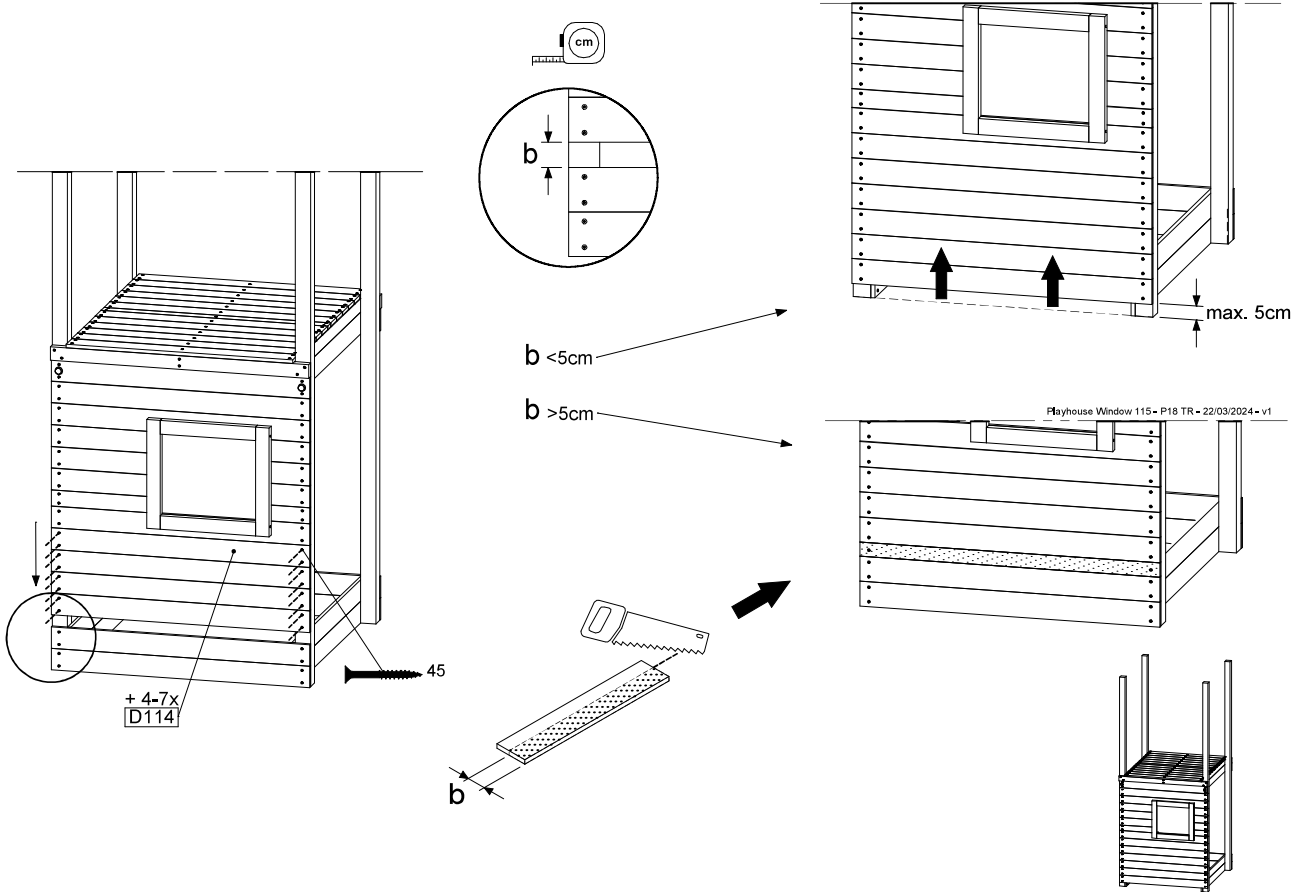




Plyhouse Window 115 - P10 ufl. - 22/03/2024 -v1

$a = \dots\dots\dots \text{cm}$



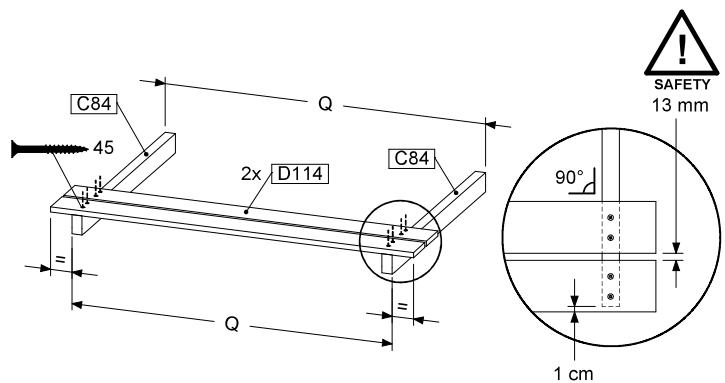
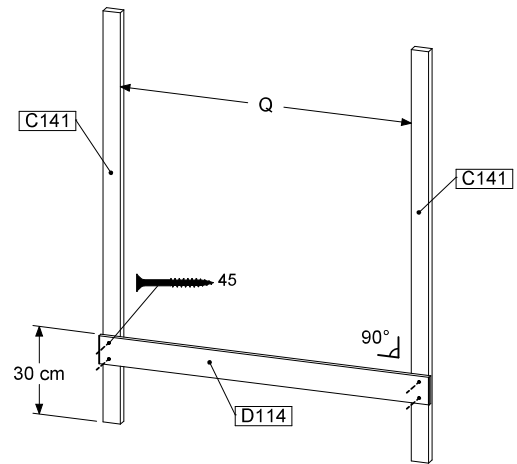
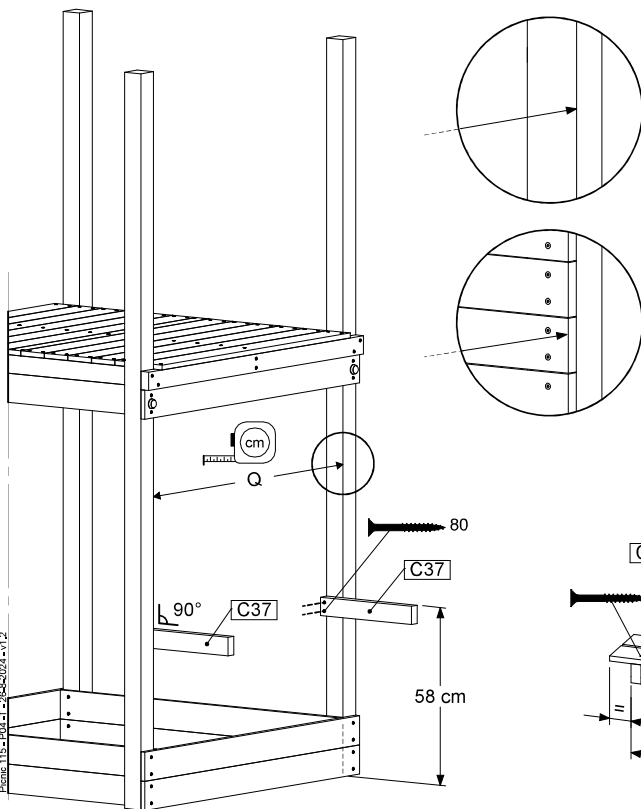
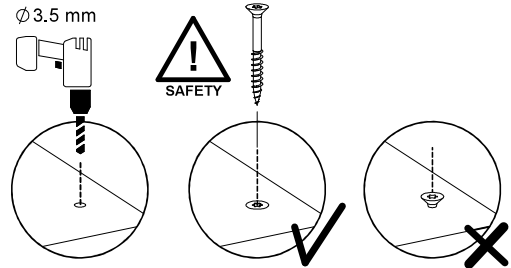
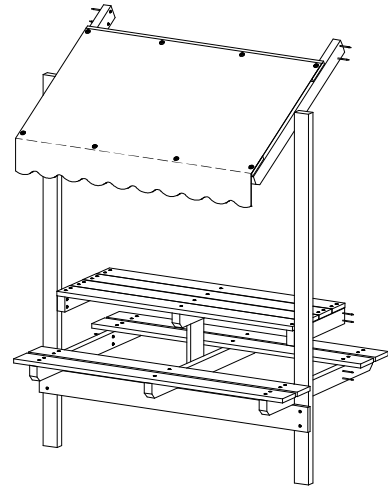


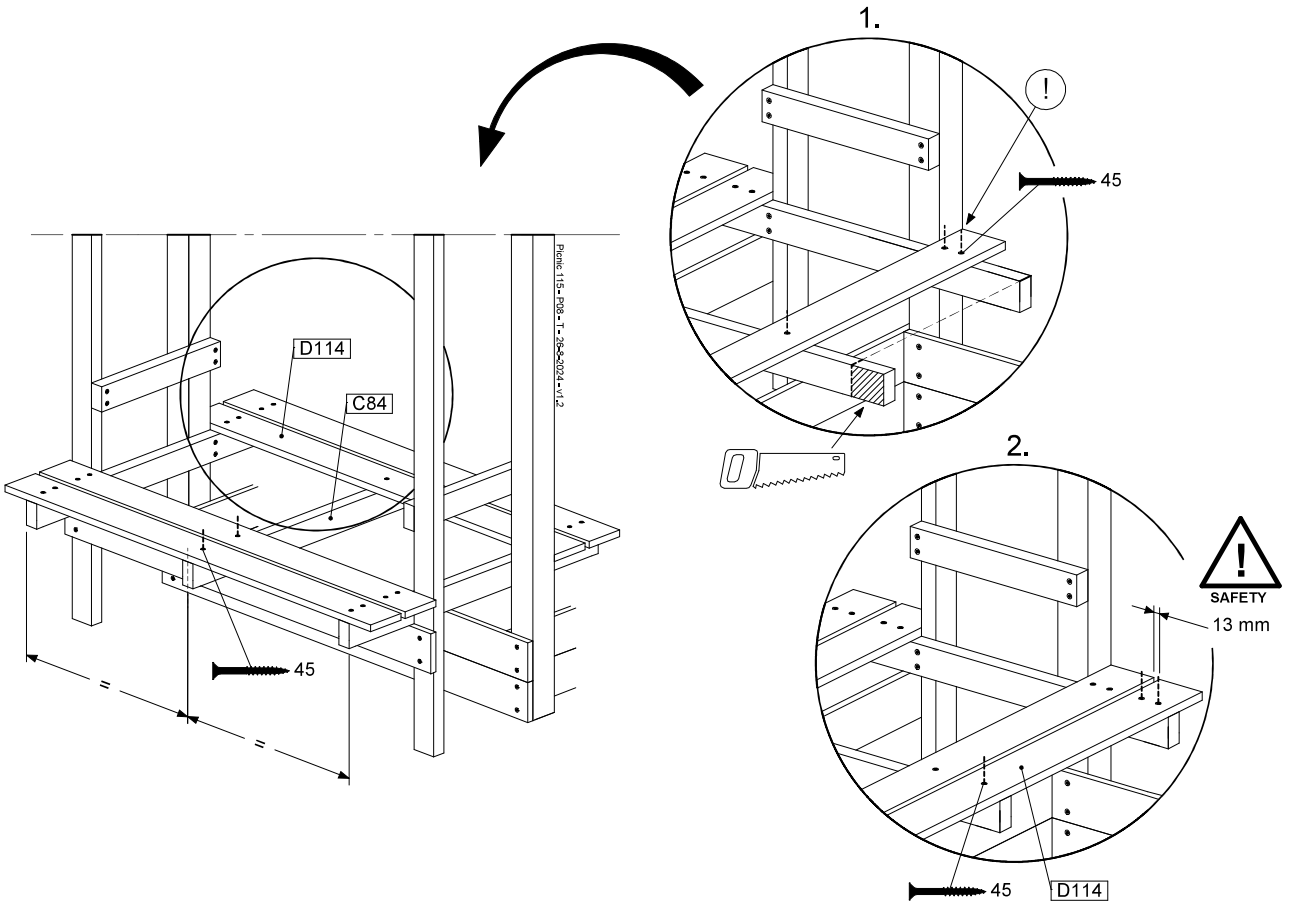
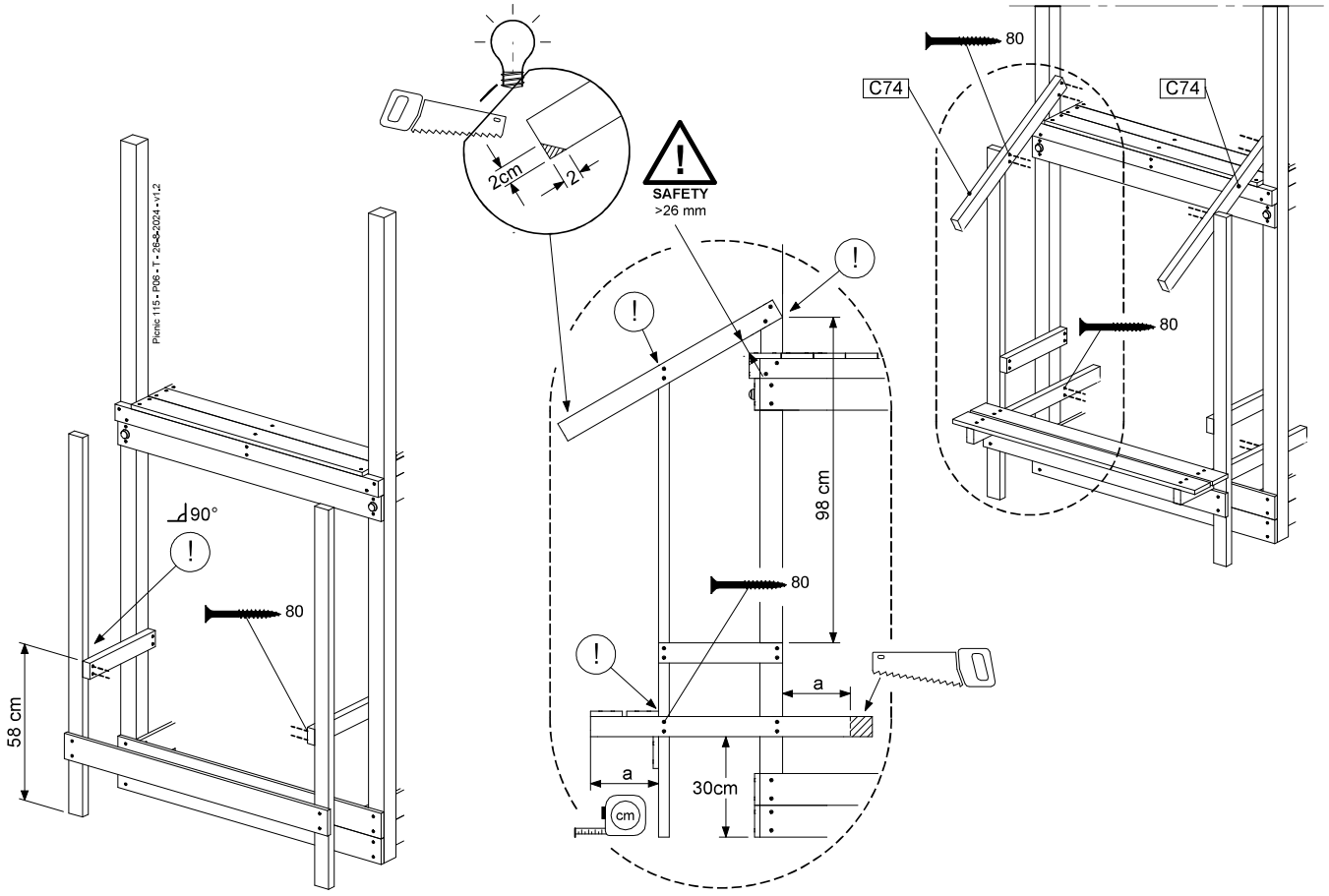
17 PC06a: Picnic 115 T

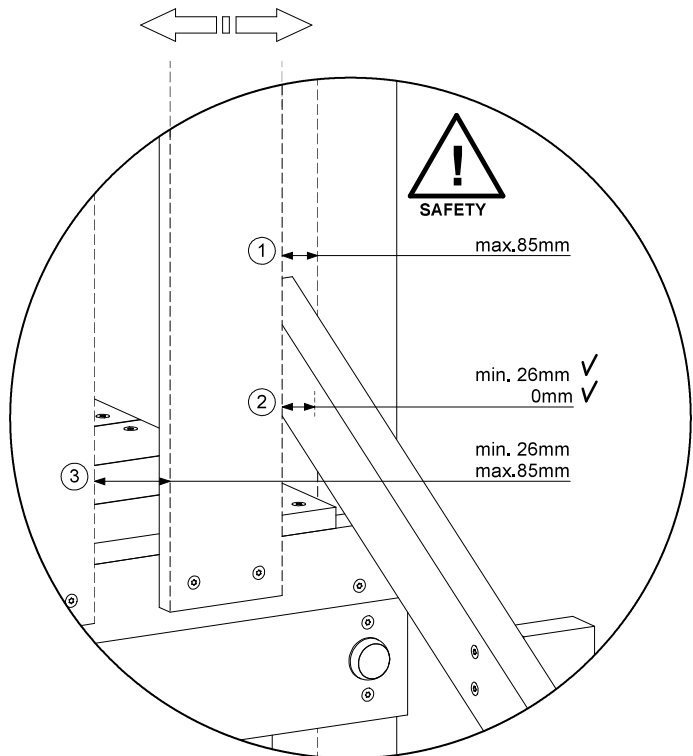
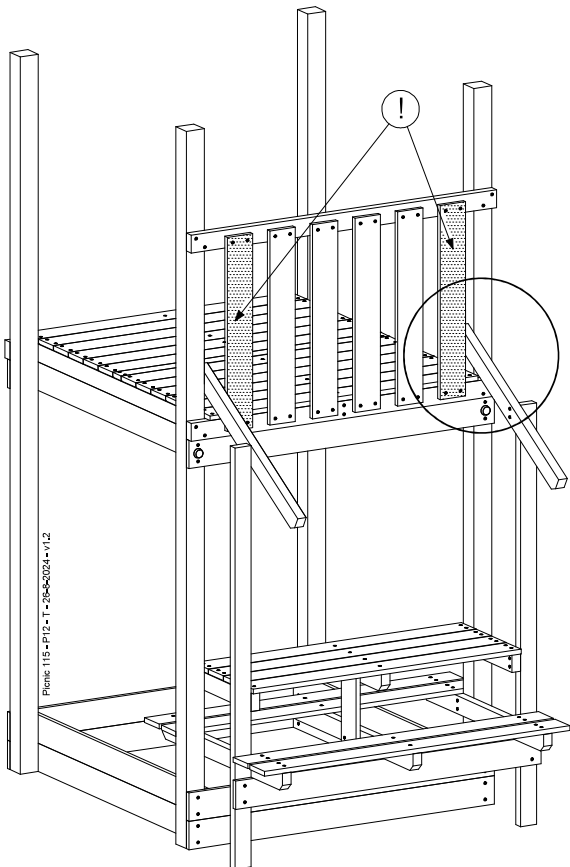
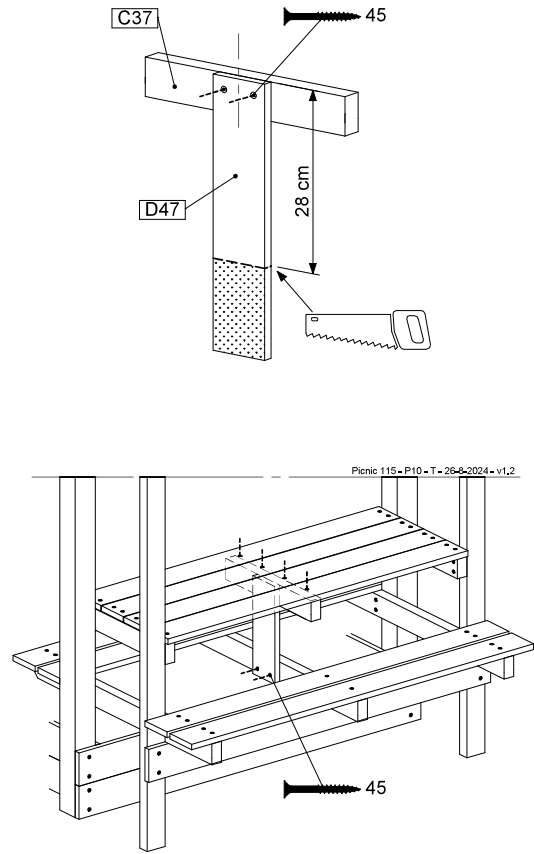
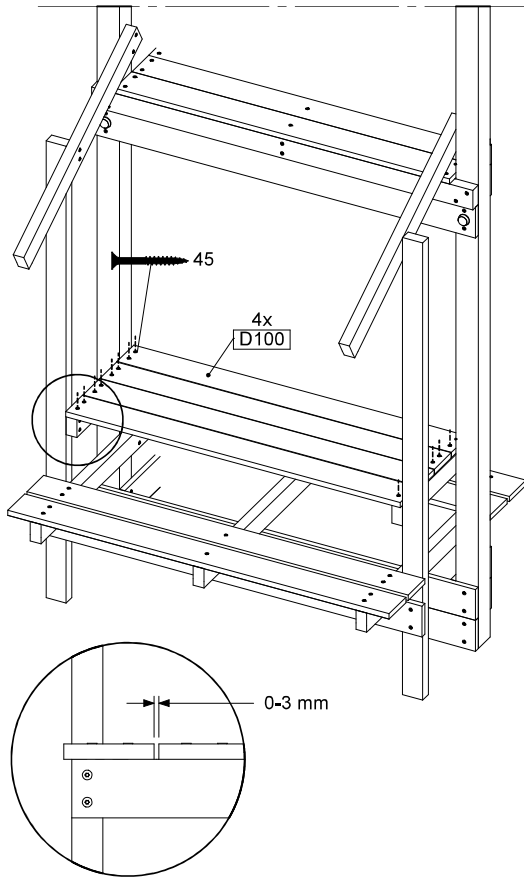
Assembly Pack: 194_810

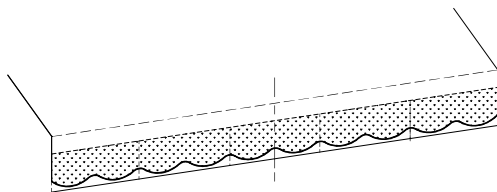
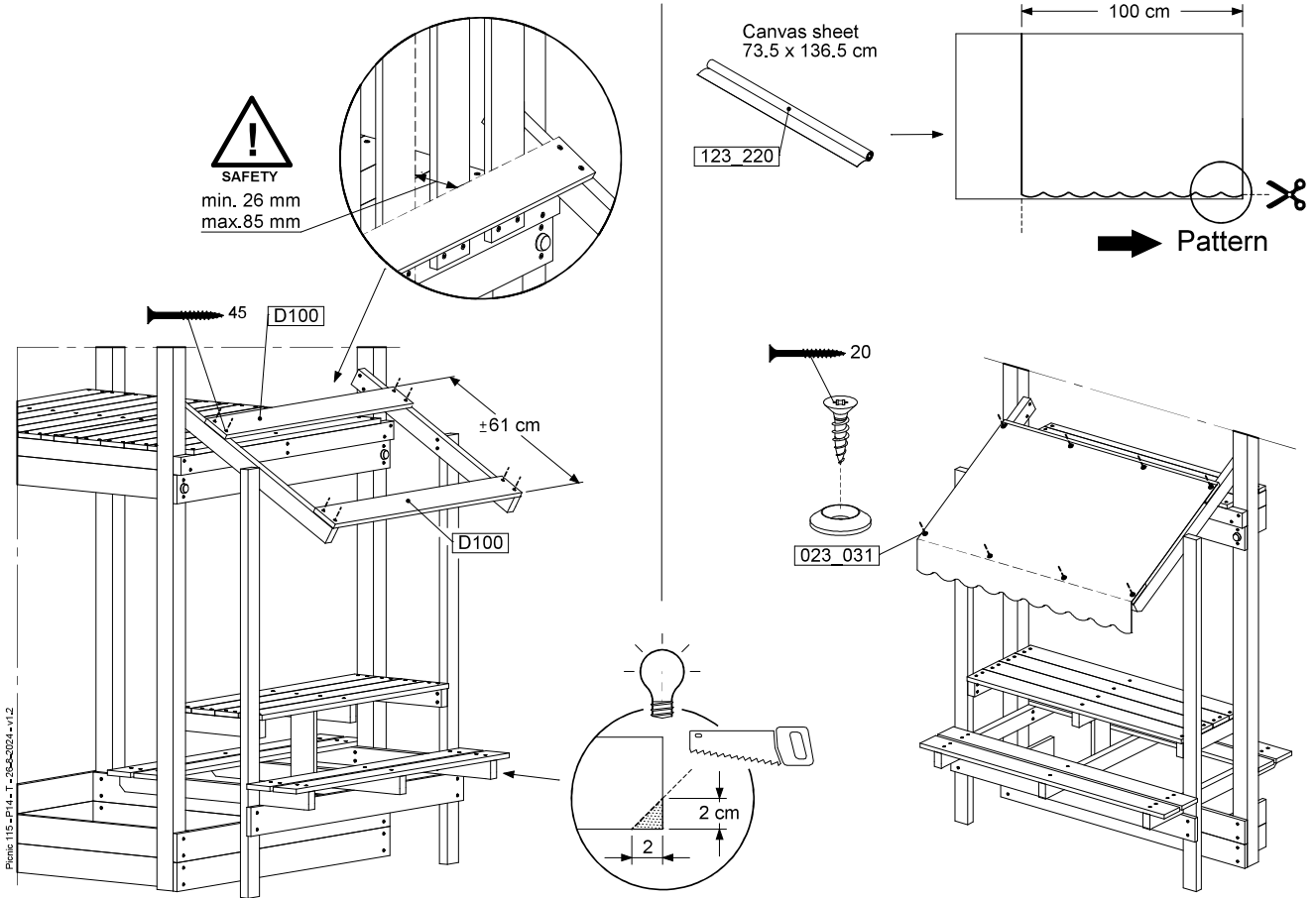
	PartNo	PartName	QTY.
Hardware + Parts	002_220	Gap Point Screw T25 - 5x45	56
	002_223	Gap Point Screw T25 - 5x80	24
	002_308	Gap Point Screw T25 - 5x20	8
	023_031	Finishing Washer GPS 5.0	8
	123_220	Canvas sheet 735x1365mm	1
Timber	C37	Beam 370 mm	3
	C74	Beam 740 mm	2
	C84	Beam 840 mm	3
	C141	Beam 1410 mm	2
	D47	Board 470 mm	1
	D100	Board 1000 mm	6
	D114	Board 1140 mm	5

Picnic 115 - P02 - UJT - 265-0204 - v1.2

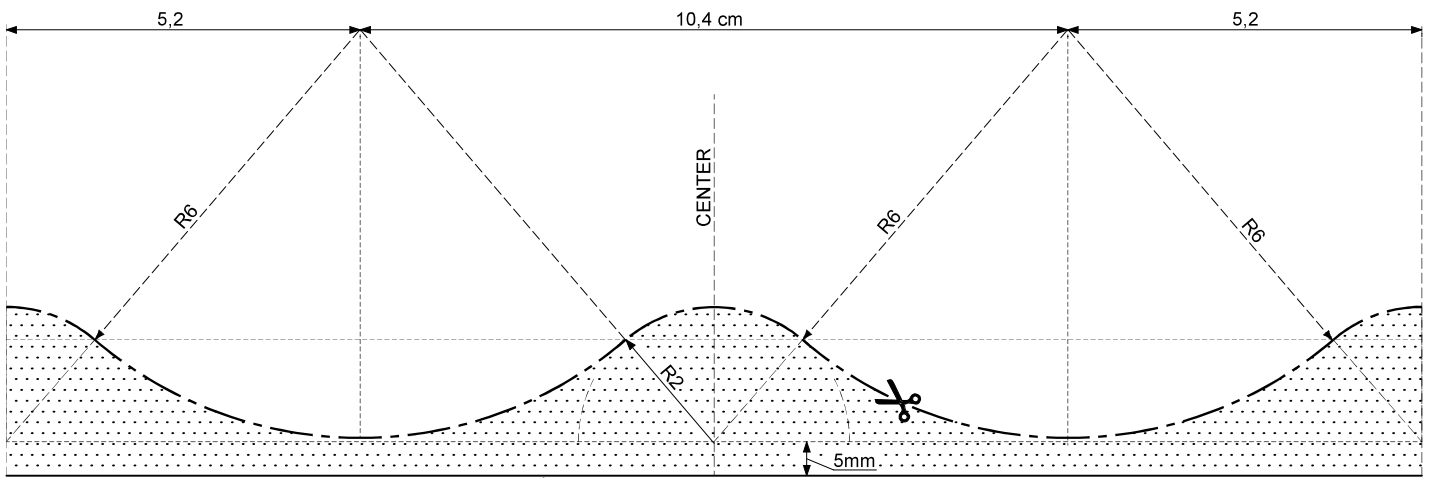








EXAMPLE PATTERN
 BEISPIELVORLAGE FÜR MARKISE
 SCHÉMA SUGGÉRÉ DE DÉCOUPE POUR AUVENT
 VORBEELDSJABLOON LUIFEL

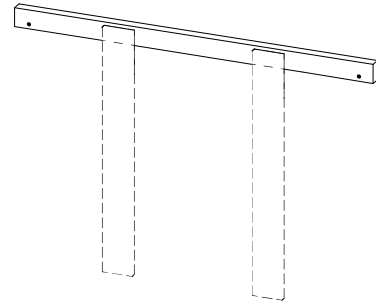
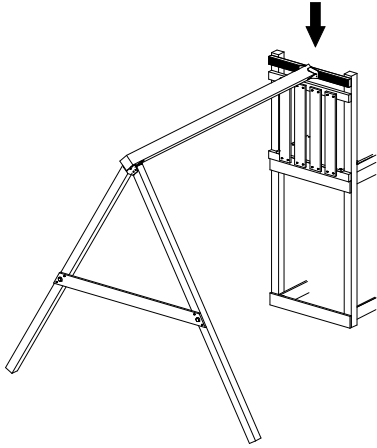


← repeat

repeat →

! Scale of print may not be accurate.
 Druckformat kann abweichen.
 Les tailles imprimées peuvent varier.
 Printformaat kan afwijken.

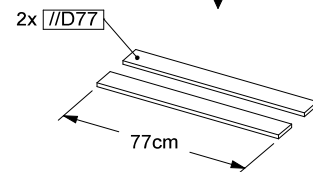
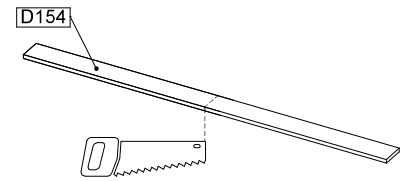
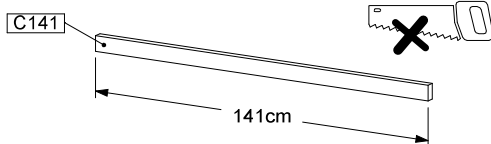
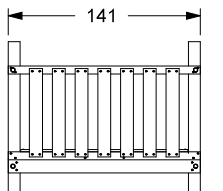
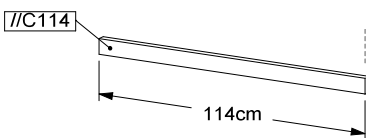
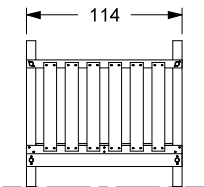
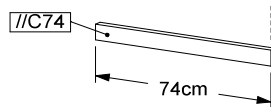
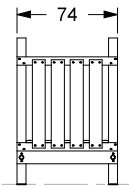
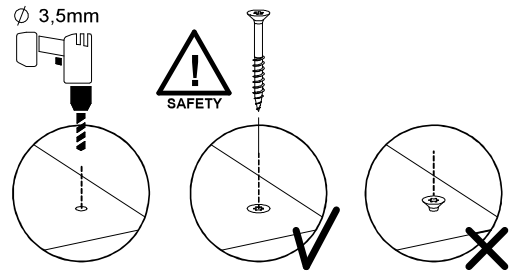
18 UB07a: Swing Mounting Set Uni - PART 1



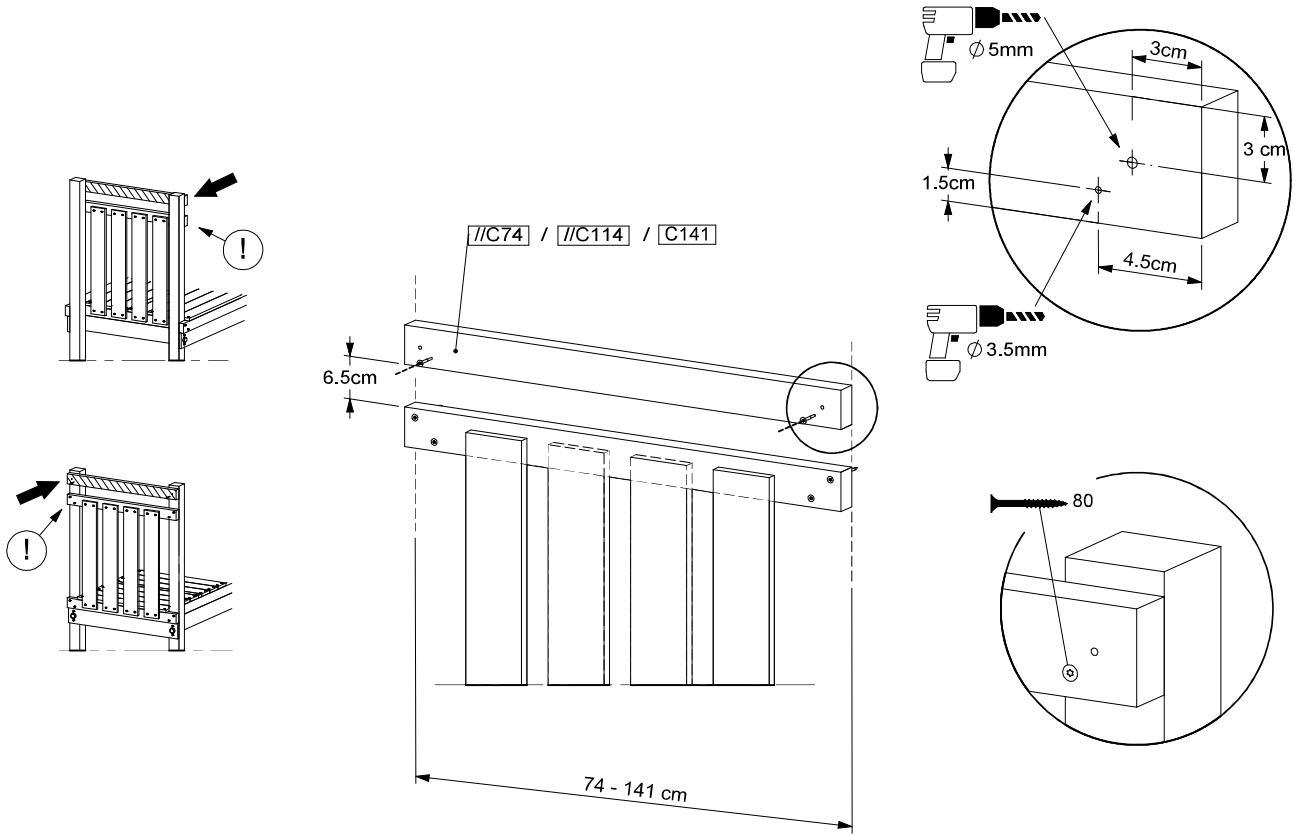
Assembly Packs: 457_103 / 457_107 (Swing / Climb Kit)

	PartNo	PartName	QTY.
Hardware	002_223	Gap Point Screw T25 - 5x80	2
Timber	C141	Beam 1410 mm	1
	D154	Board 1540 mm	1

Swing Mounting Set - P03 - 23/09/2024 - v1.0

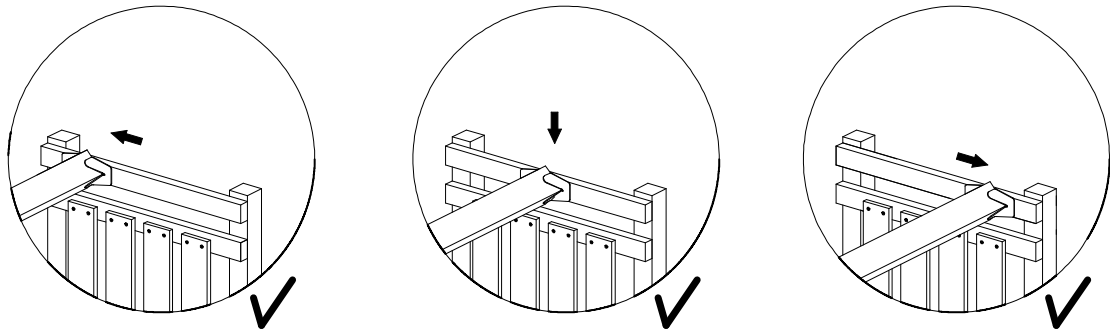


Swing Mounting Set - P03 - 23/09/2024 - v1.0

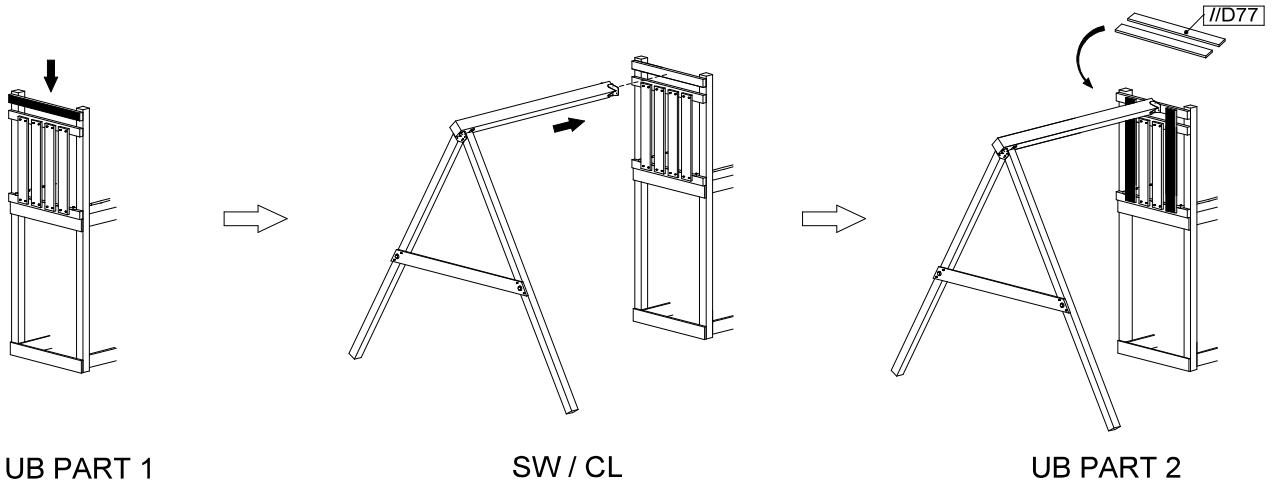


Swing Mounting Set - P04 - 23/09/2024 - v1.0

Manual ID: 048_071_2613



Swing Mounting Set - P05 - 23/09/2024 - v1.0



UB PART 1

SW / CL

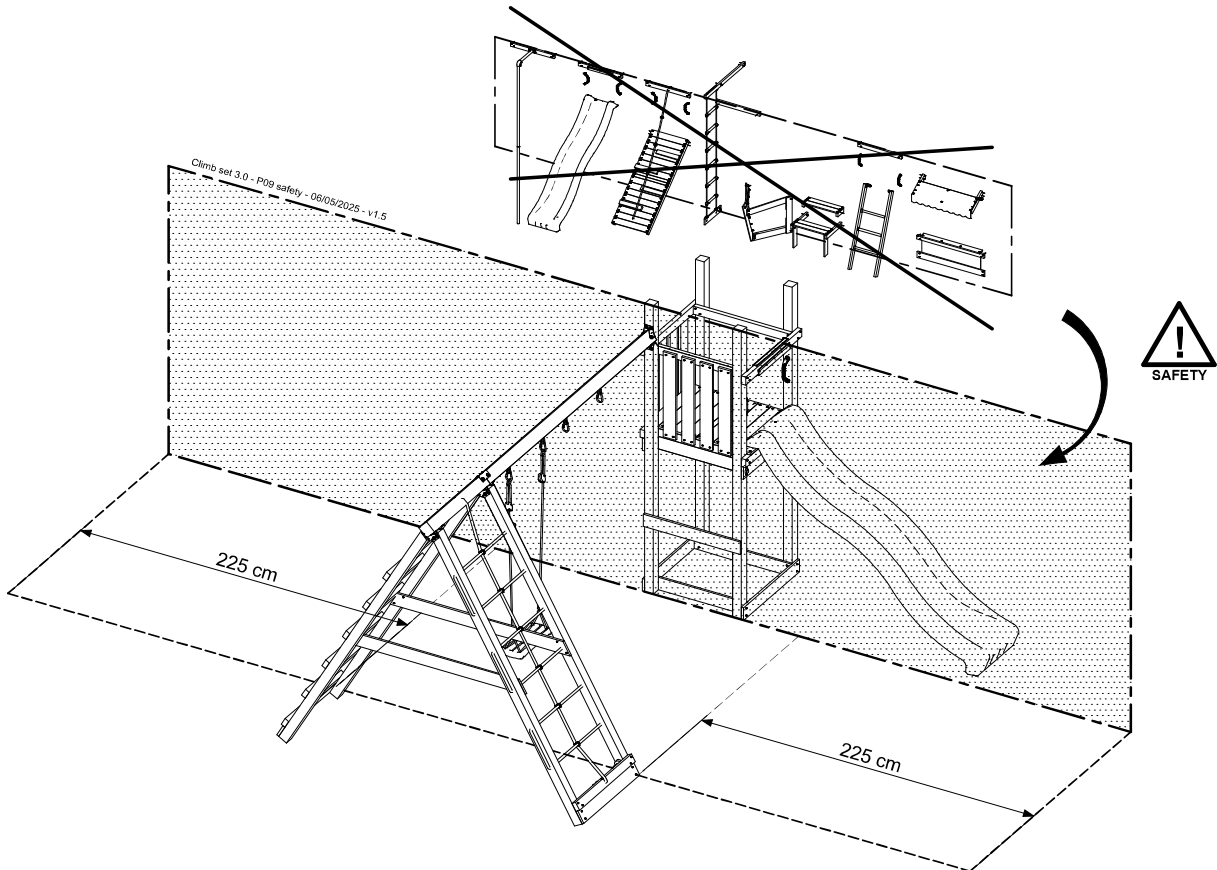
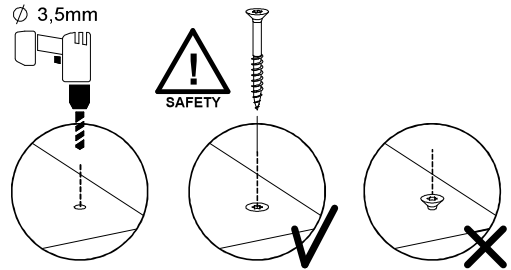
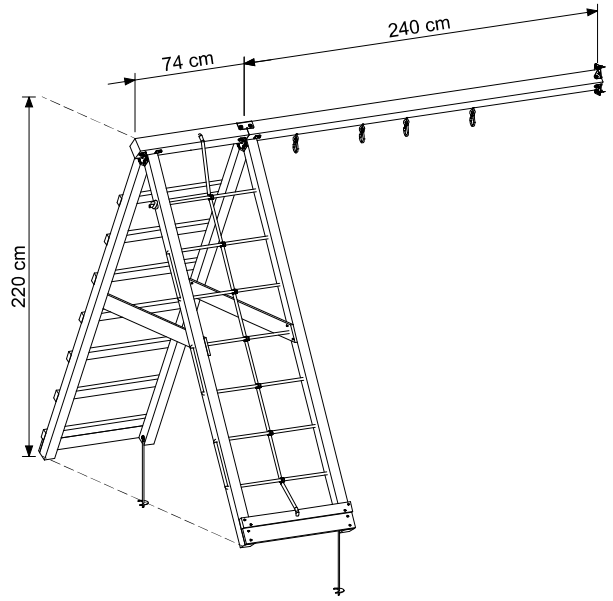
UB PART 2

19 CL14b: 2- Climb Module 220 - 3.0

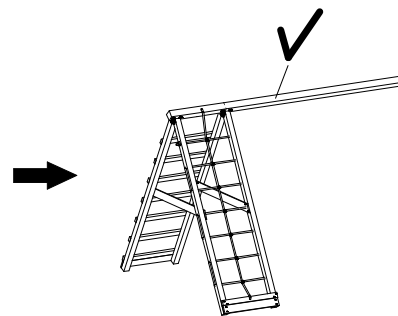
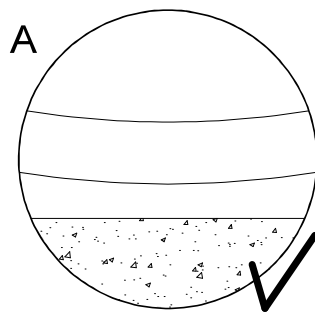
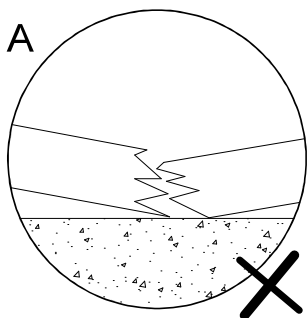
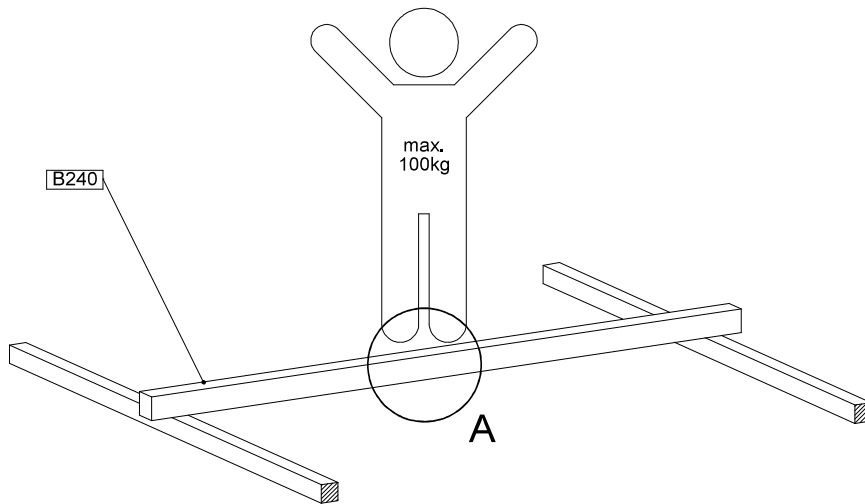
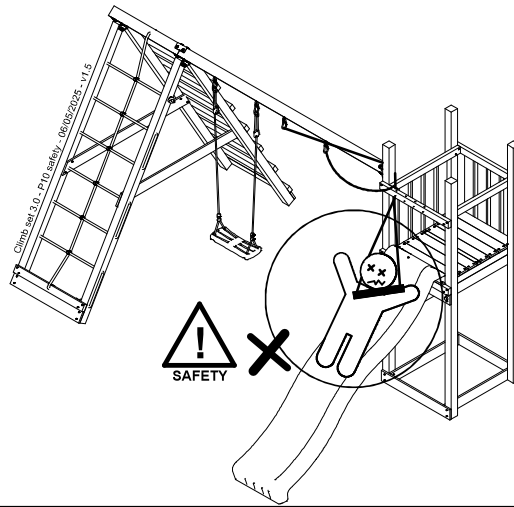
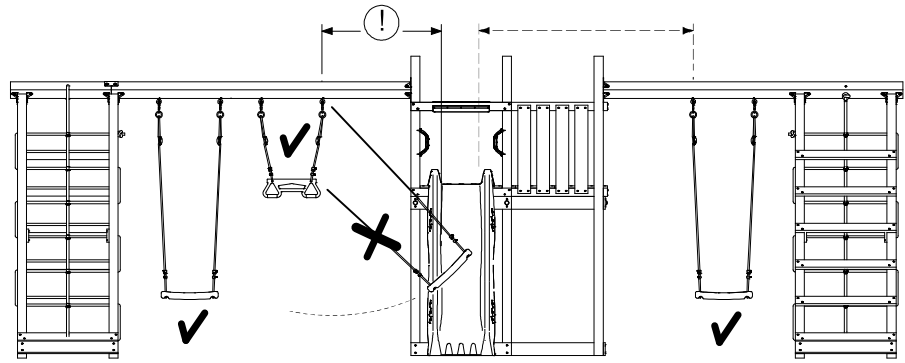
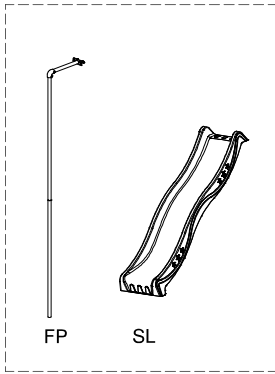
Assembly Kit: 457_107

	PartNo	PartName	QTY.
Hardware + Parts	001_404	Stealth Screw 8x30	4
	001_406	Stealth Screw 8x45	34
	001_417	Stealth Screw 8x80	2
	002_220	Gap Point Screw T25 - 5x45	36
	002_223	Gap Point Screw T25 - 5x80	35
	002_301	Dry Wall Screw PH2 3.9 x 40 mm	7
	023_042	Nylon washer 9x19x1.5	36
	005_096	A-Frame V-Connector	4
	005_097	Swing V-Connector	2
	005_099	Climber Top Connector	1
	007_001	Ground-anchor	2
	020_317	Rope Polyester 16mm Green 3.4m	1
	020_318	Rope Polyester 16mm Green 8.1m	1
	022_455	Rope Cross Connector Egg	7
101_003	Swing hook with Carabiner	4	
Timber	A240	Post ca.70x70 L2400	4
	B74	Post ca.90x90 L740	1
	B240	Post ca.90x90 L2400	1
	C74	Beam 740 mm	8
	D74	Board 740 mm	2
	D141	Board 1410 mm	3

Climb set 3.0 - P08-2C220-06/05/2025-v1.5

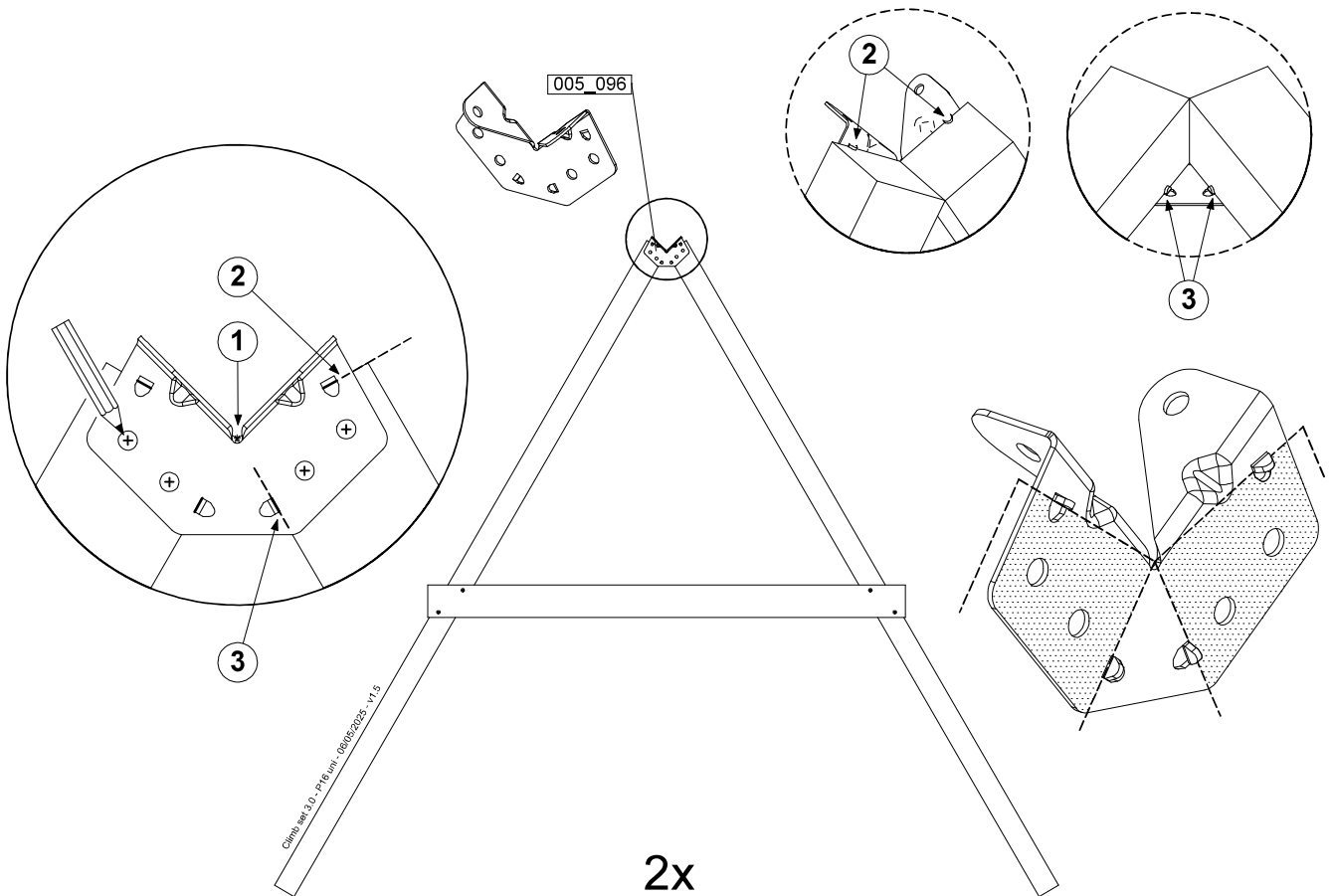
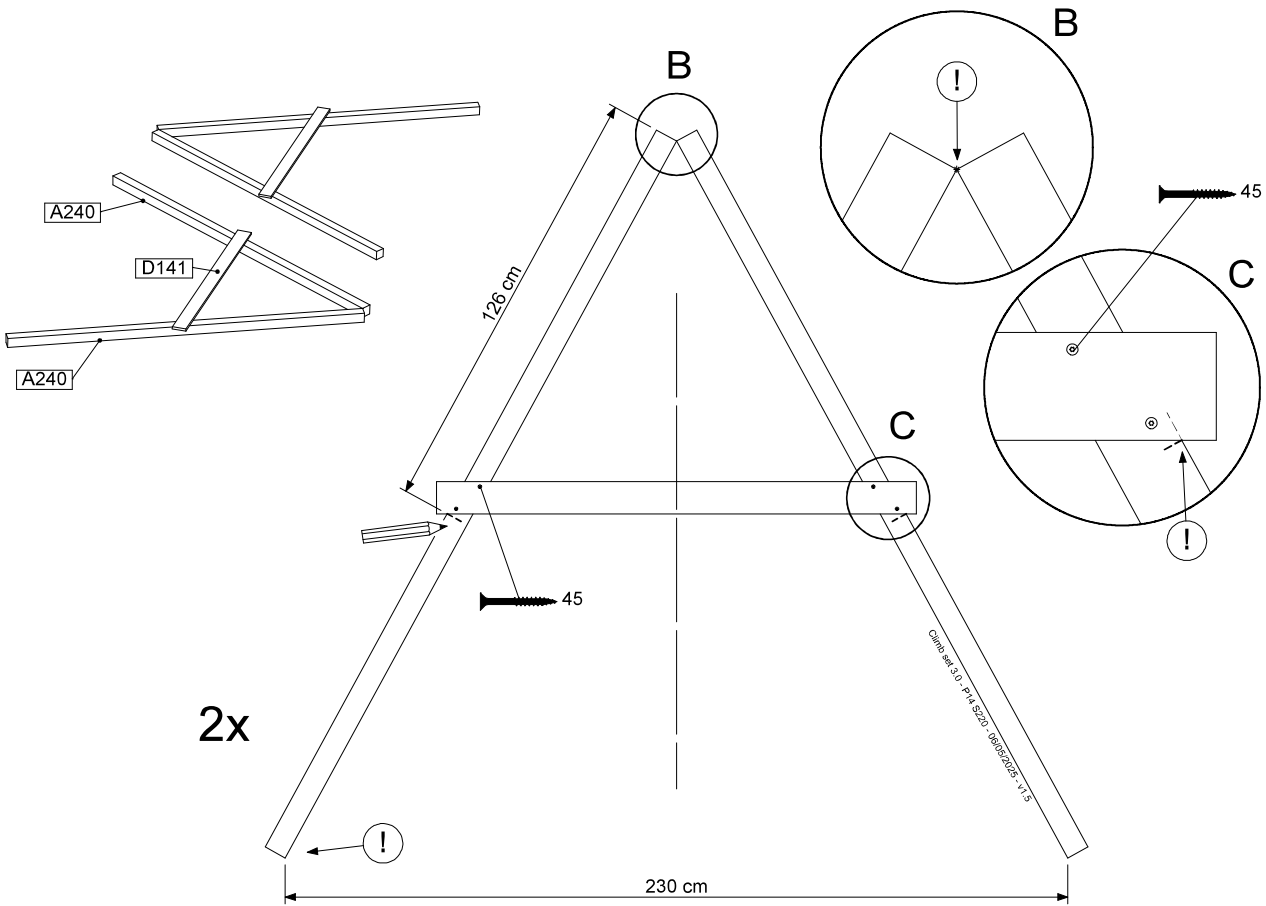


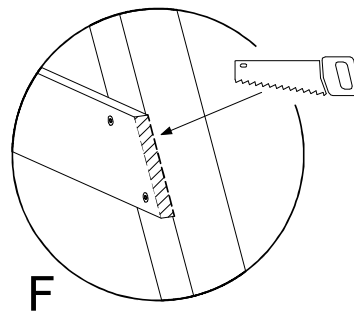
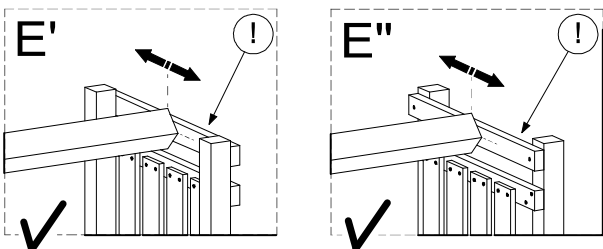
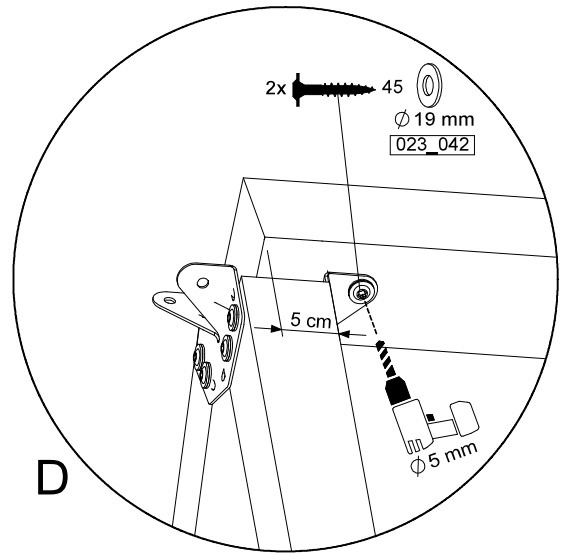
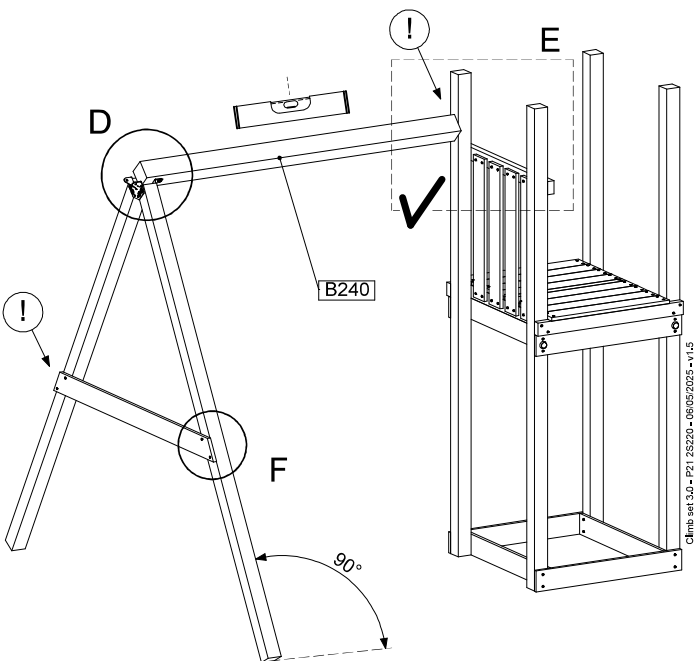
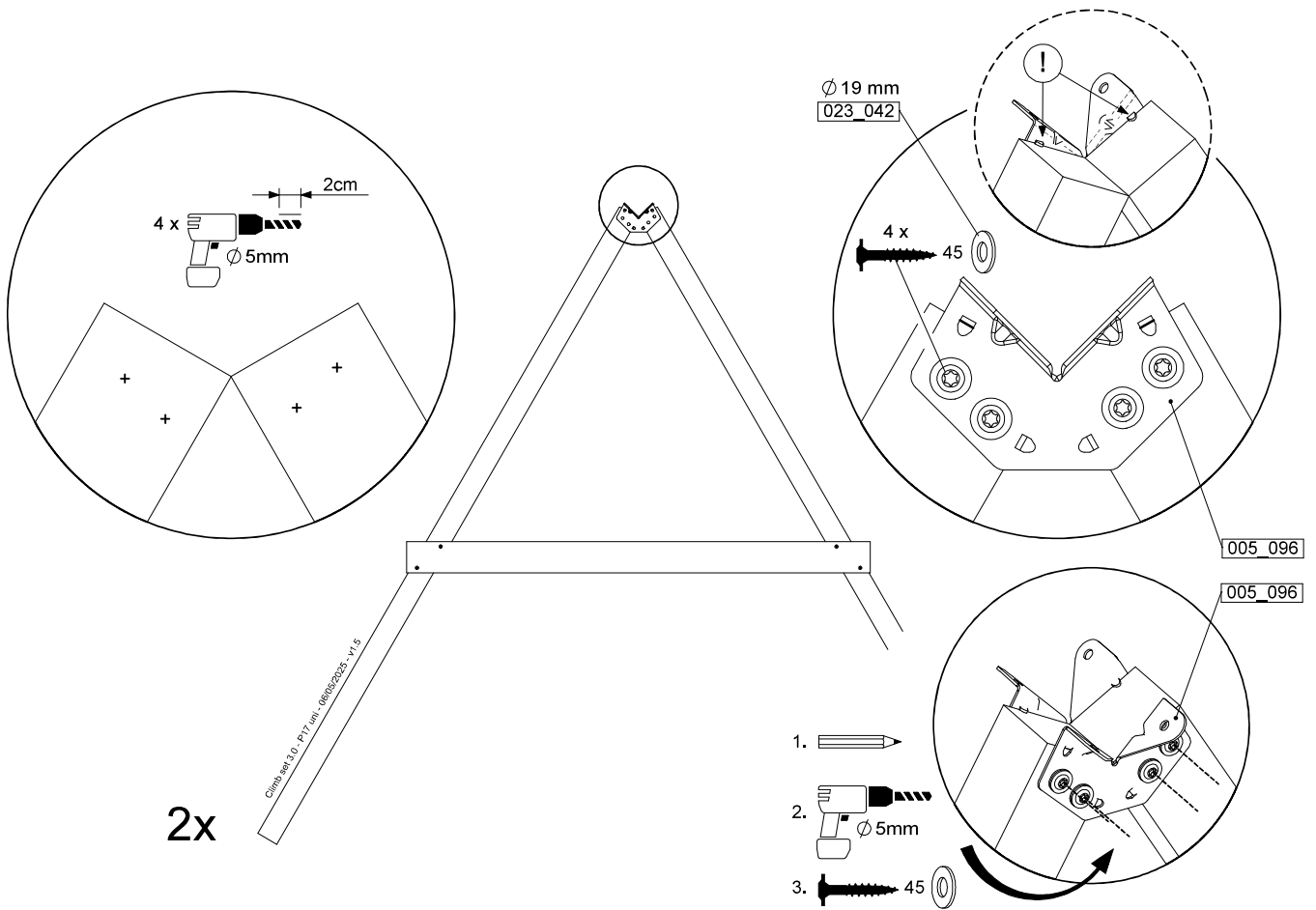
19.1



Climb set 3.0 - P12 25220 - 06/05/2025 - v1.5

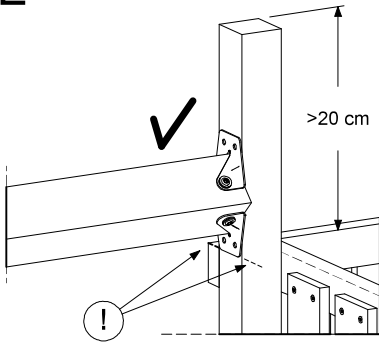
Manual ID: 048_071_2613



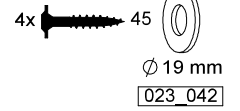
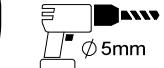
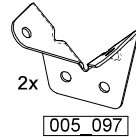
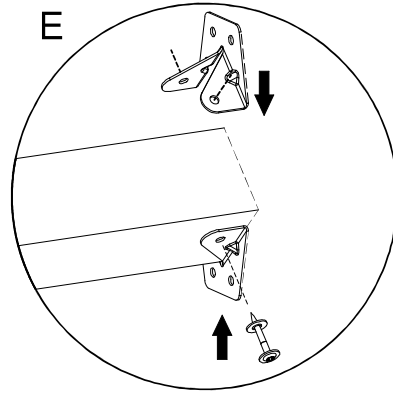


19.4

E

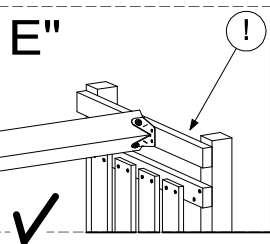
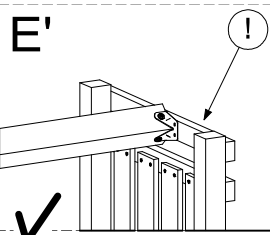
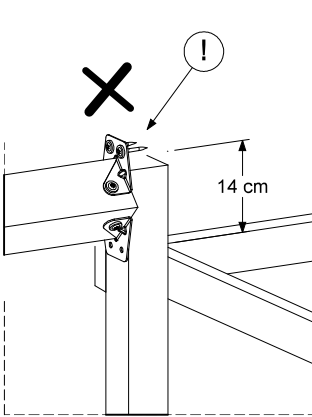


E

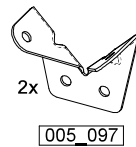
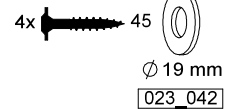
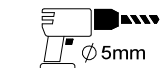
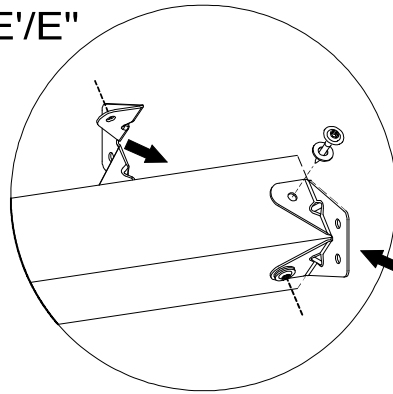


Climb set 3,0 - P23 uni - 06/05/2025 - v1,5

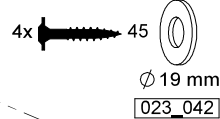
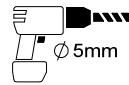
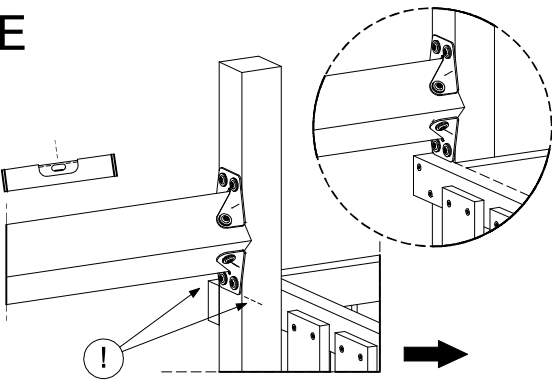
E'/E''



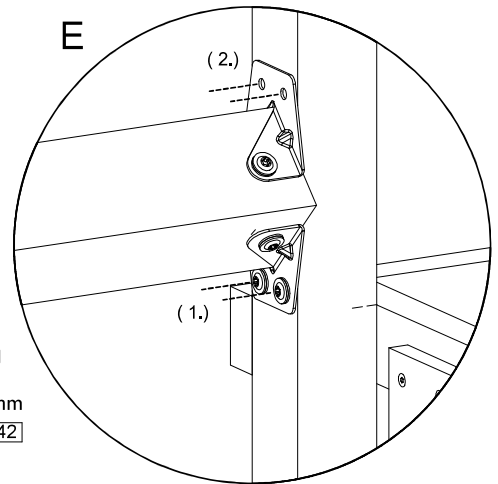
E'/E''



E

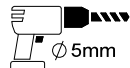
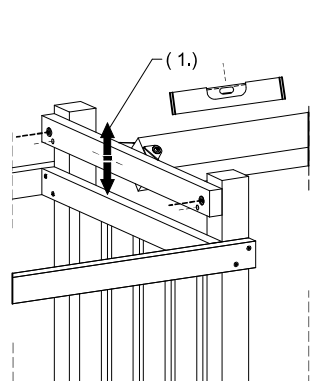


E

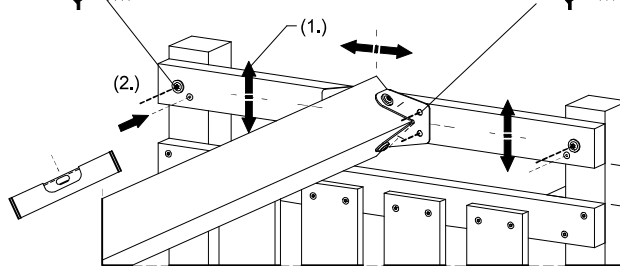
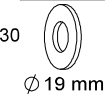


Climb set 3,0 - P23 uni - 06/05/2025 - v1,5

E'/E''

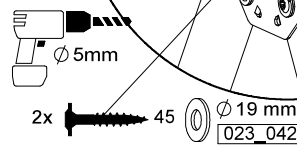
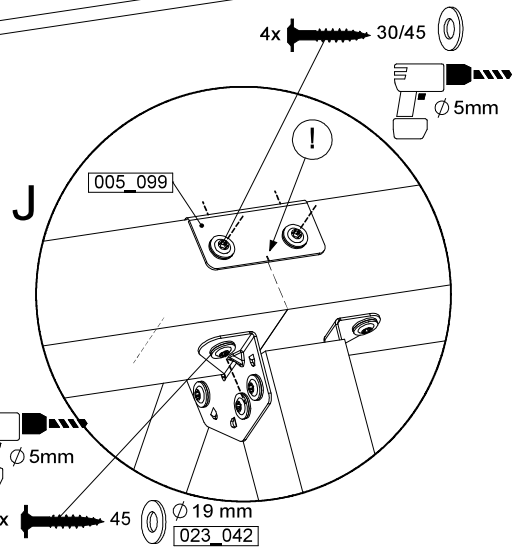
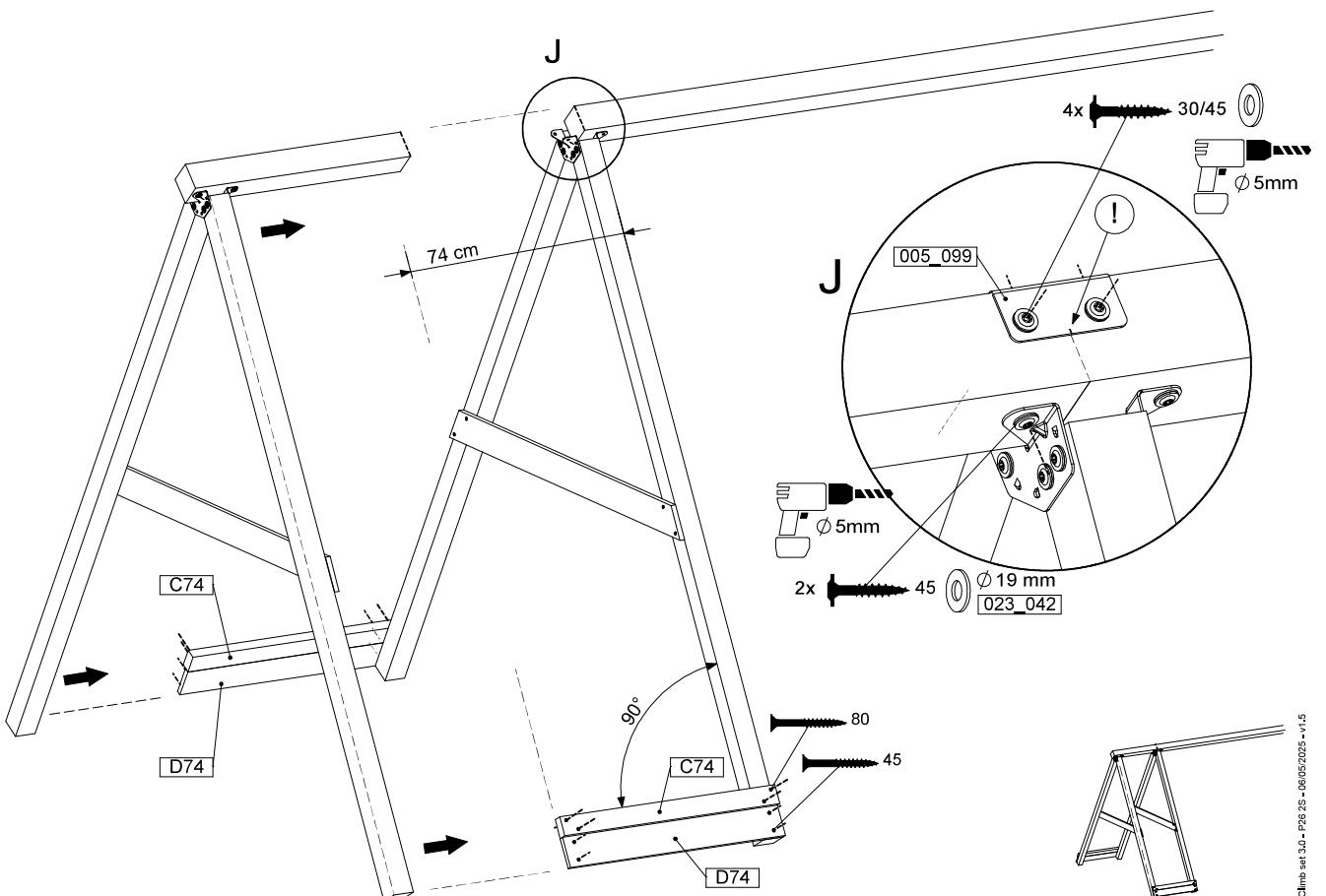
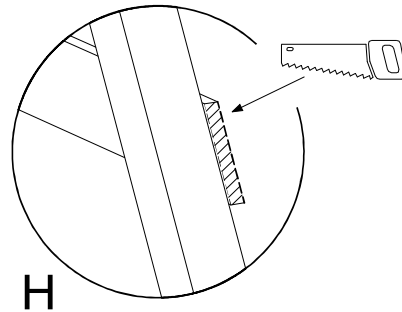
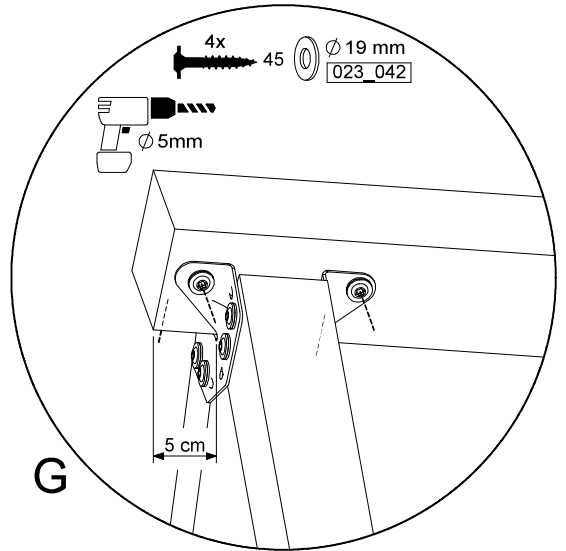
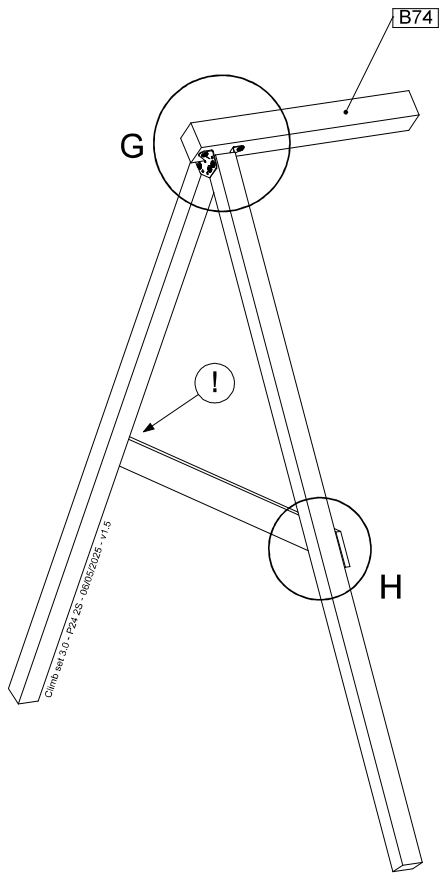


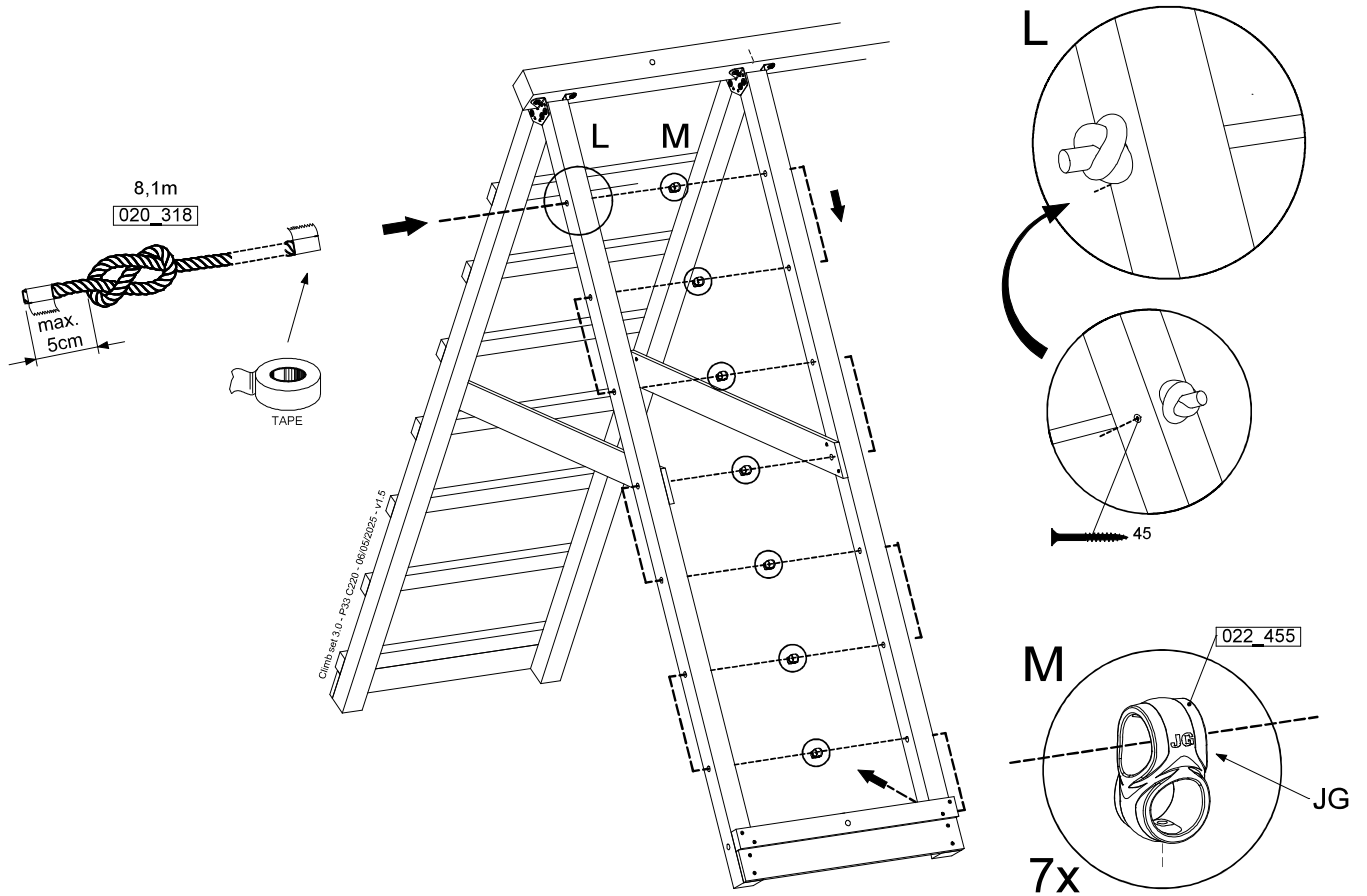
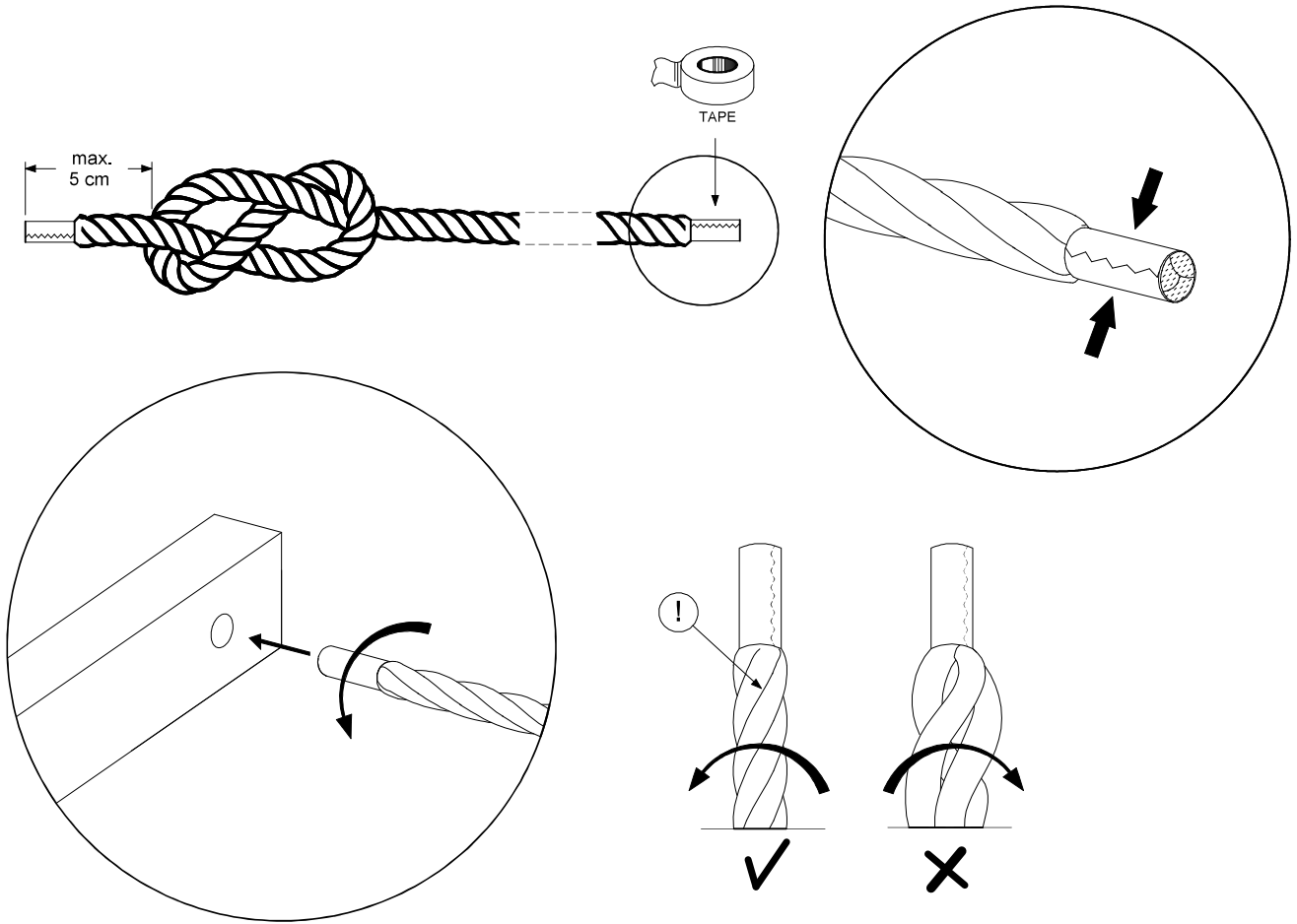
023_042

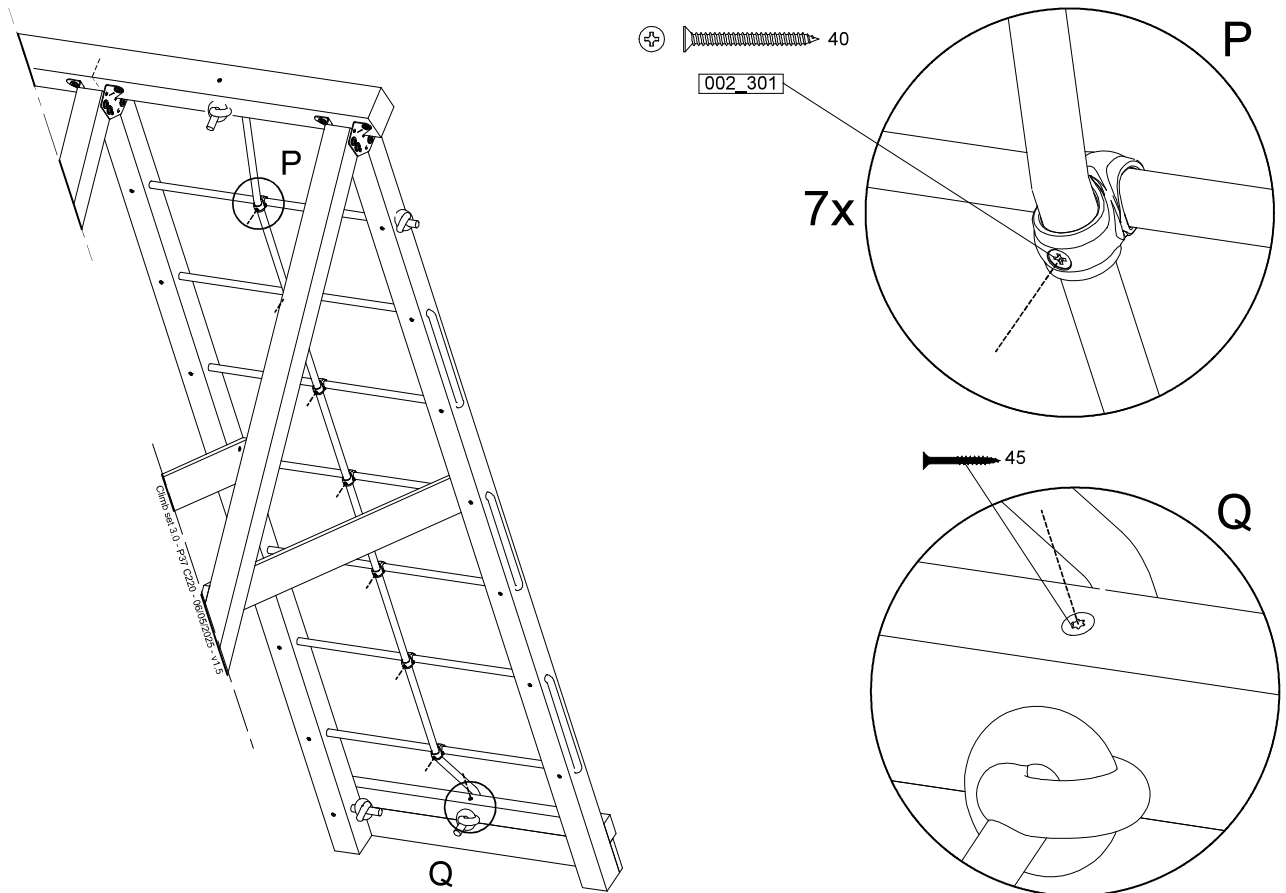
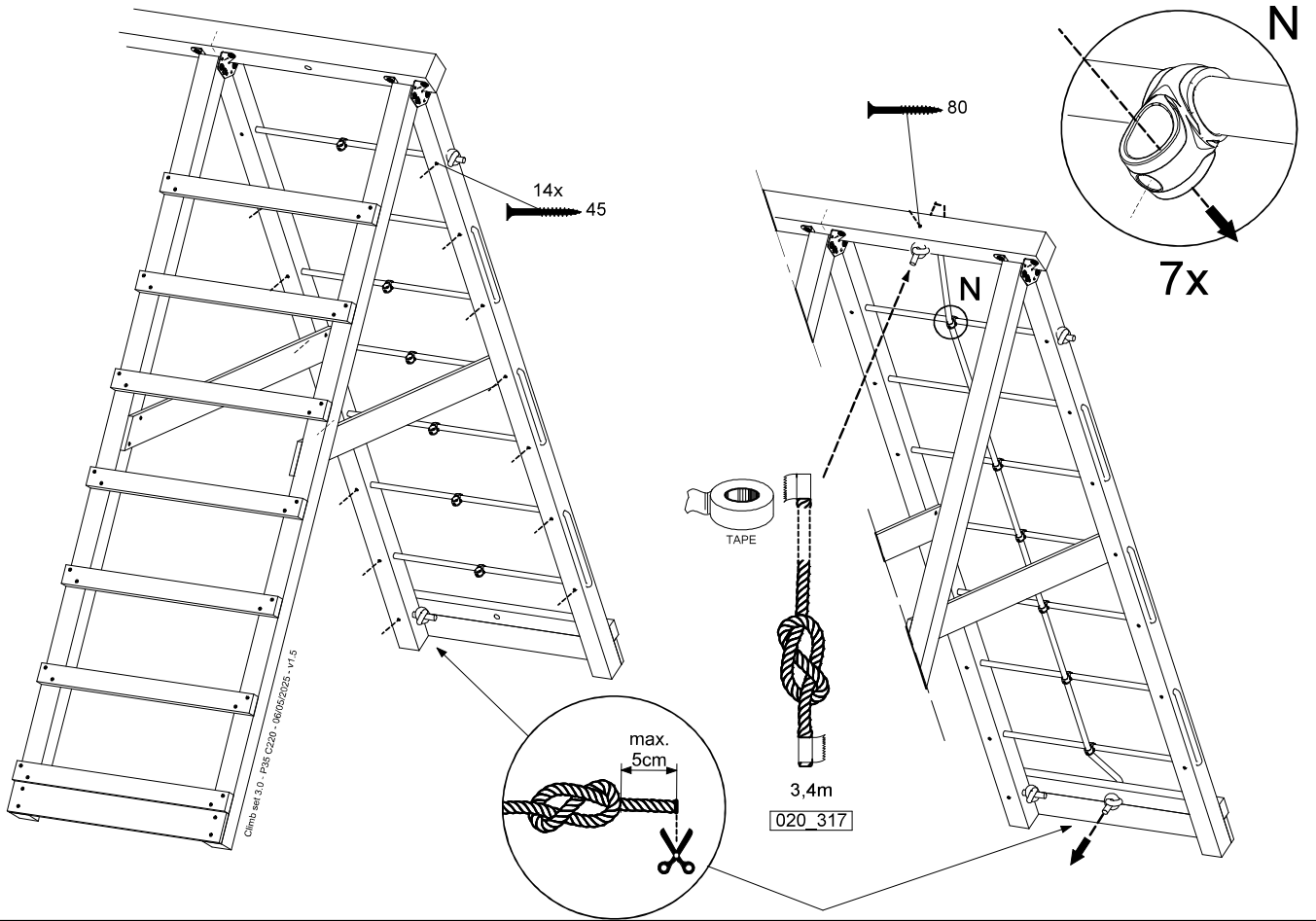


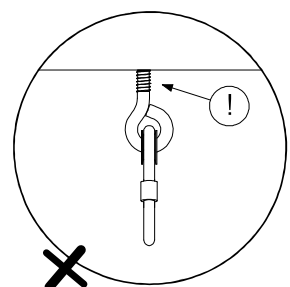
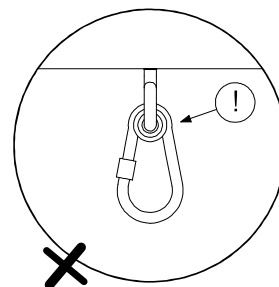
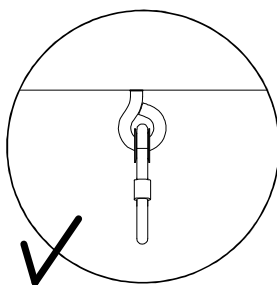
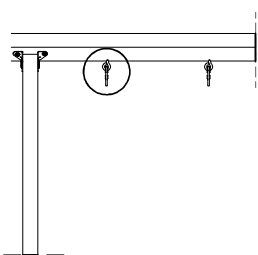
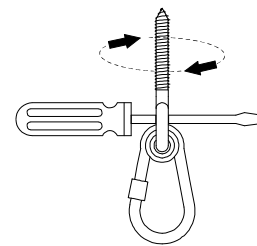
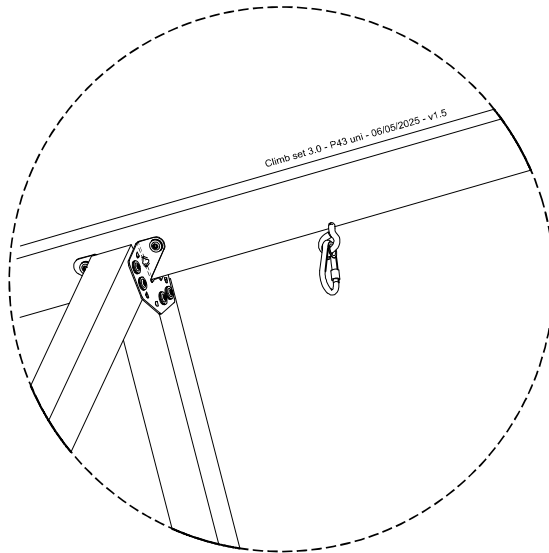
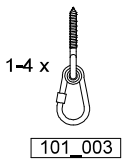
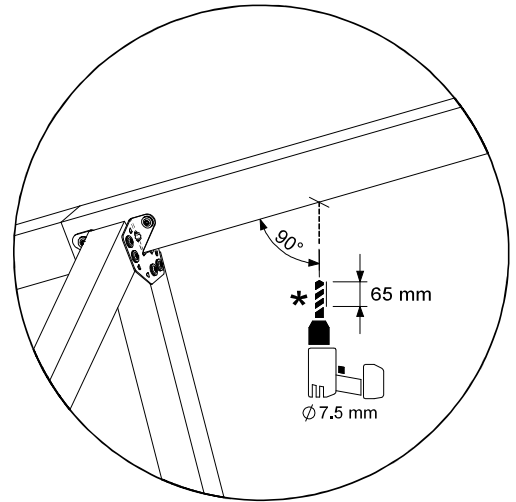
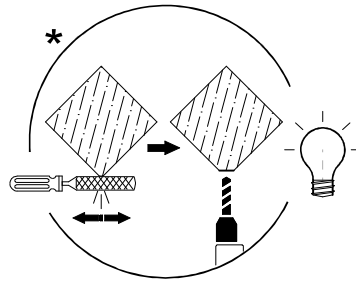
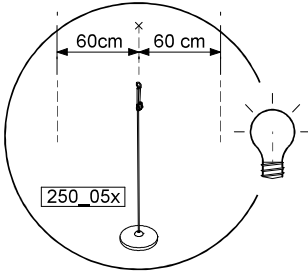
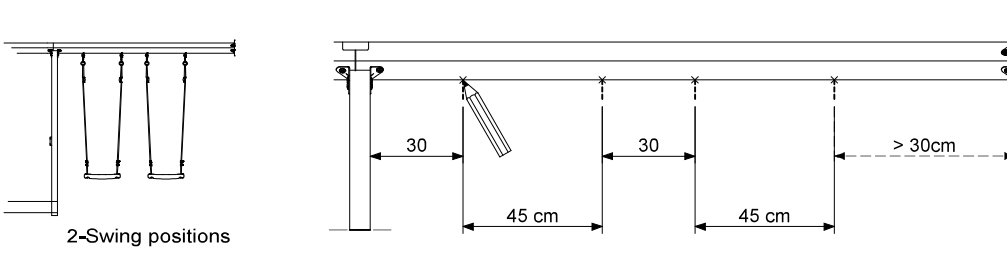
E'

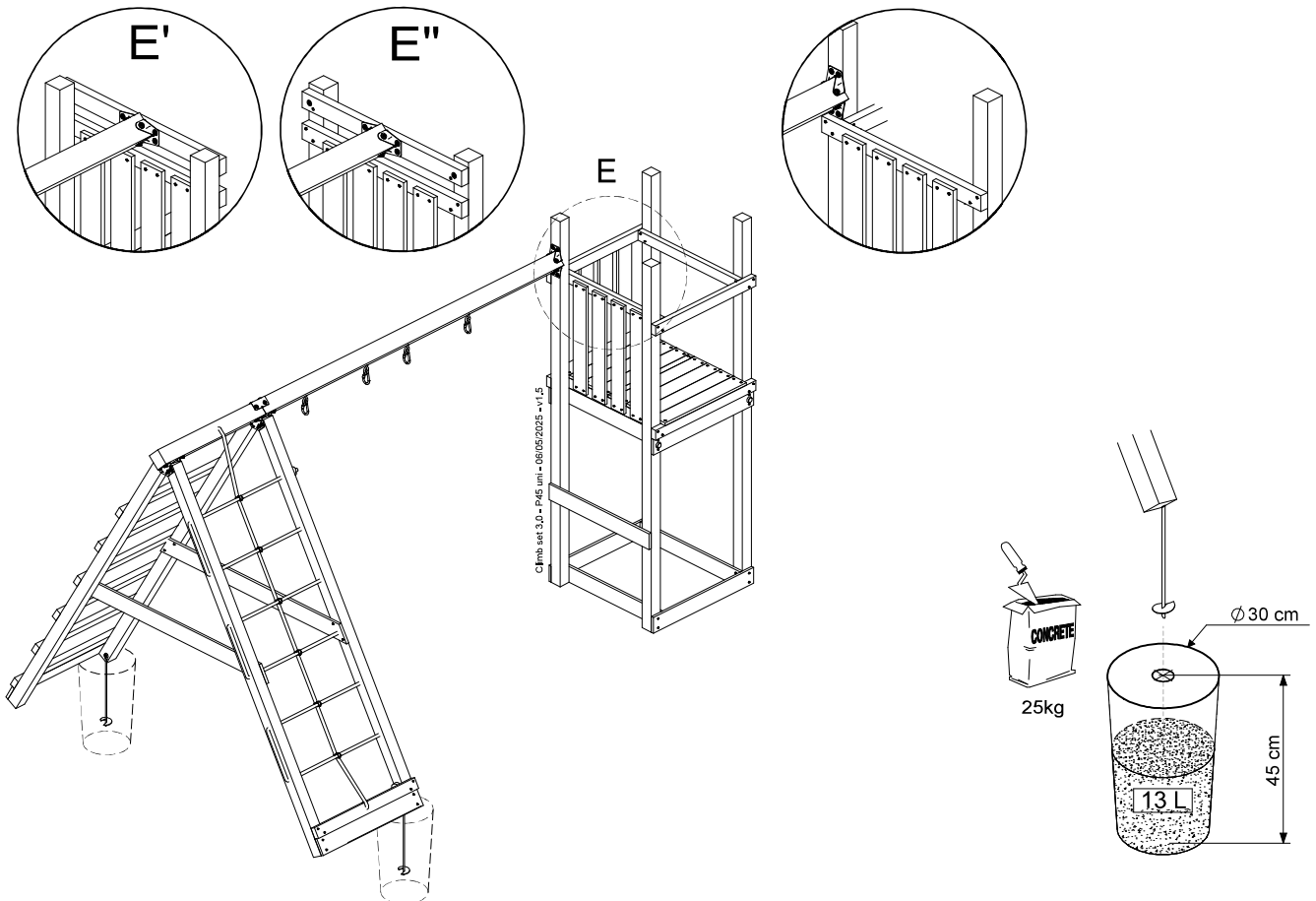
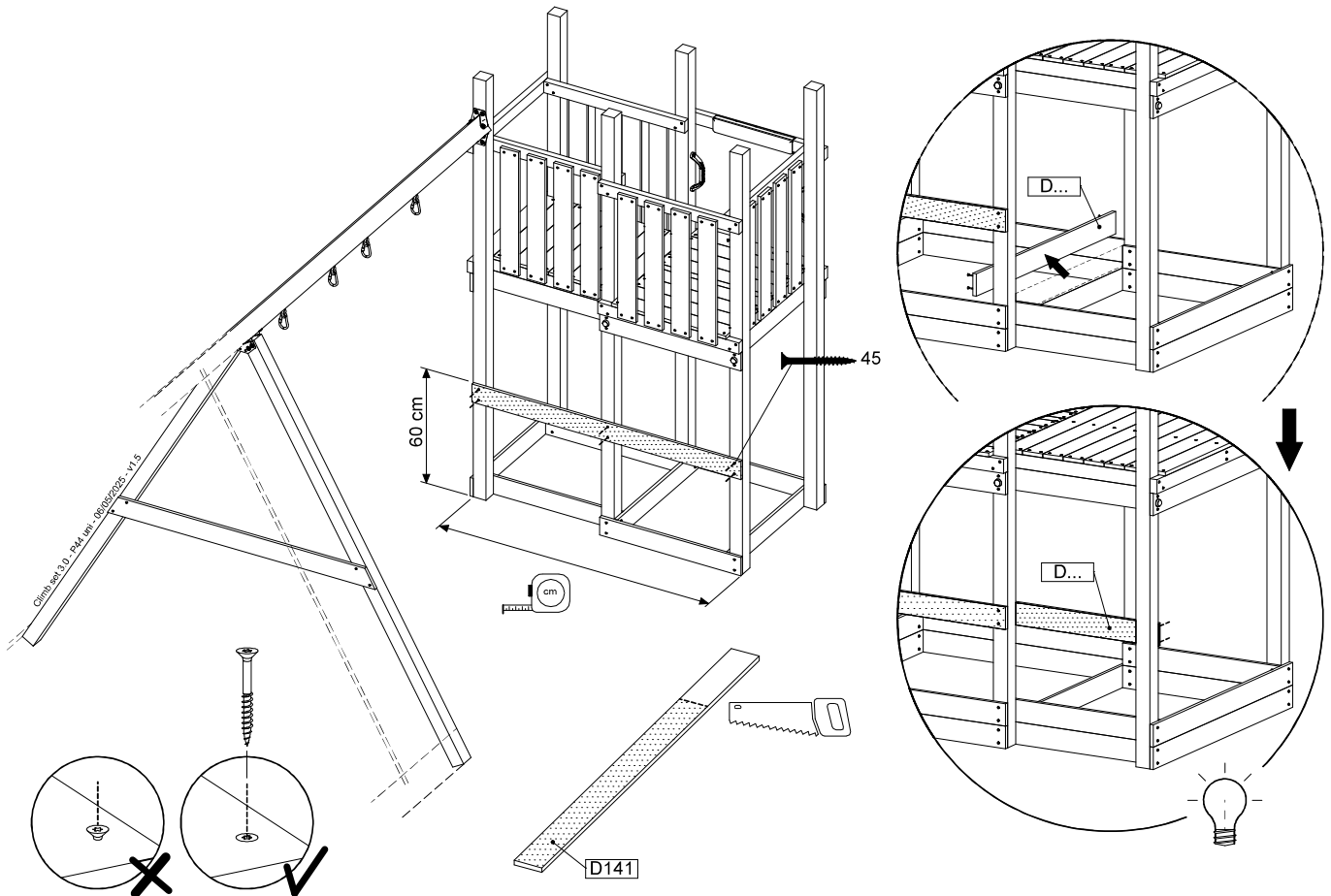
(E'')

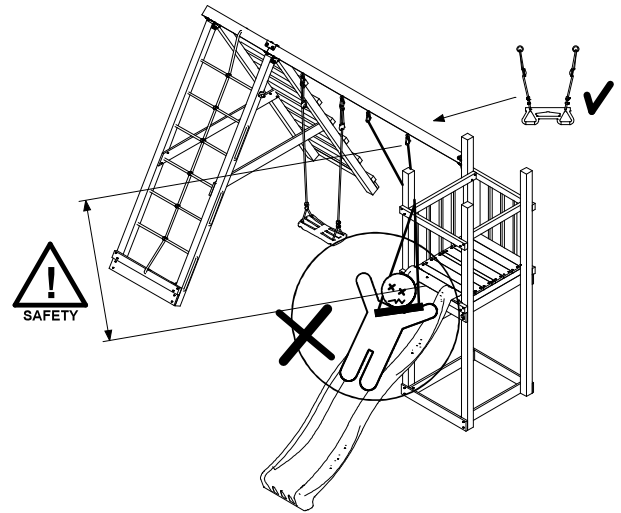
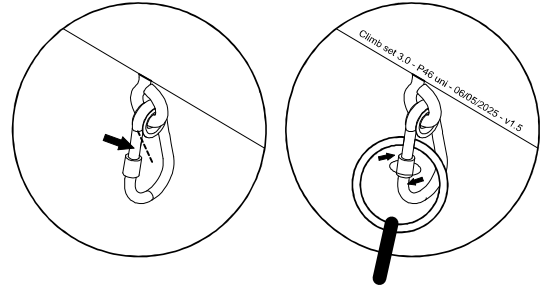
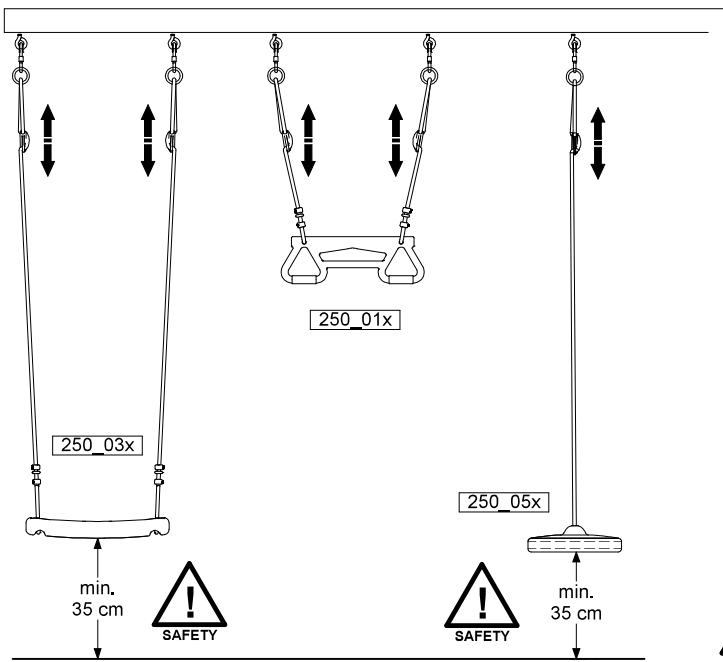




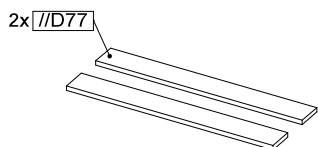
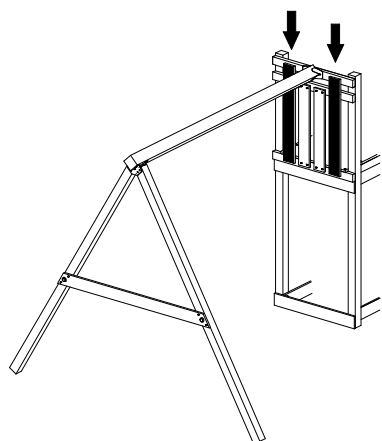




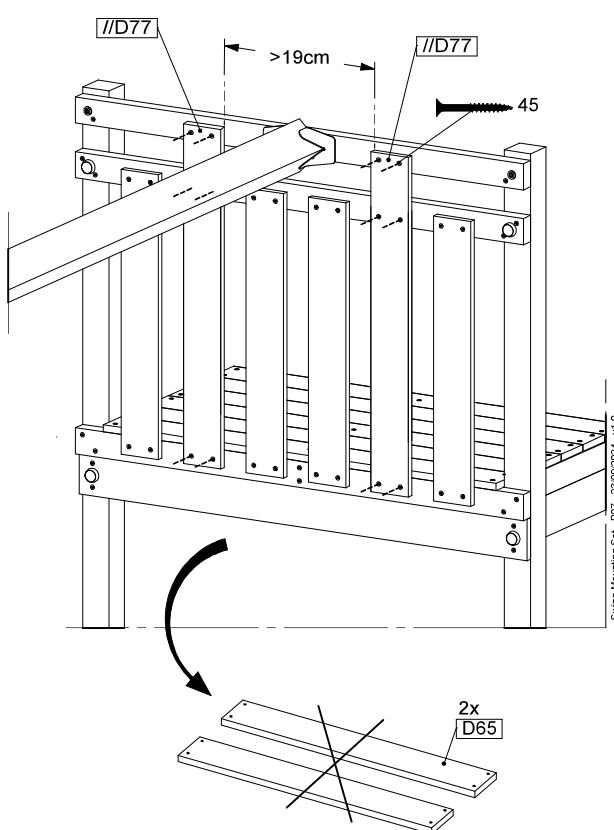
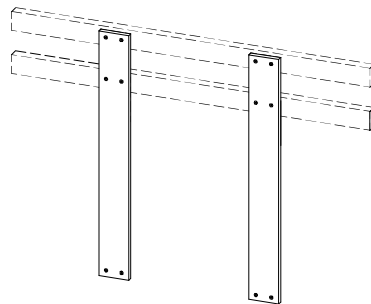




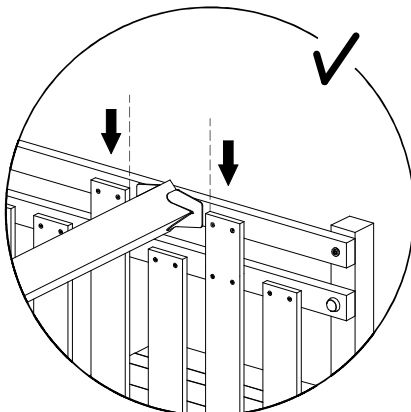
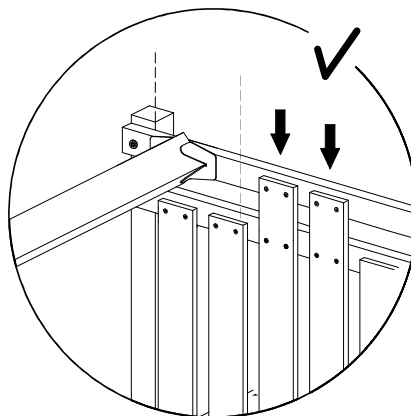
20 UB07a: Swing Mounting Set Uni - PART 2



Swing Mounting Set - P06 - 23/09/2024 - v1.0



Swing Mounting Set - P07 - 23/09/2024 - v1.0



Manual ID: 048_071_2613